



**HEAT PUMP OUTDOOR UNITS**  
**SL18XP1**  
**DAVE LENNOX SIGNATURE® COLLECTION**  
**R-410A - SilentComfort™ Technology**

**PRODUCT SPECIFICATIONS**

Bulletin No. 210731  
 November 2015  
 Supersedes October 2015

DAVE LENNOX  
*signature*  
 COLLECTION



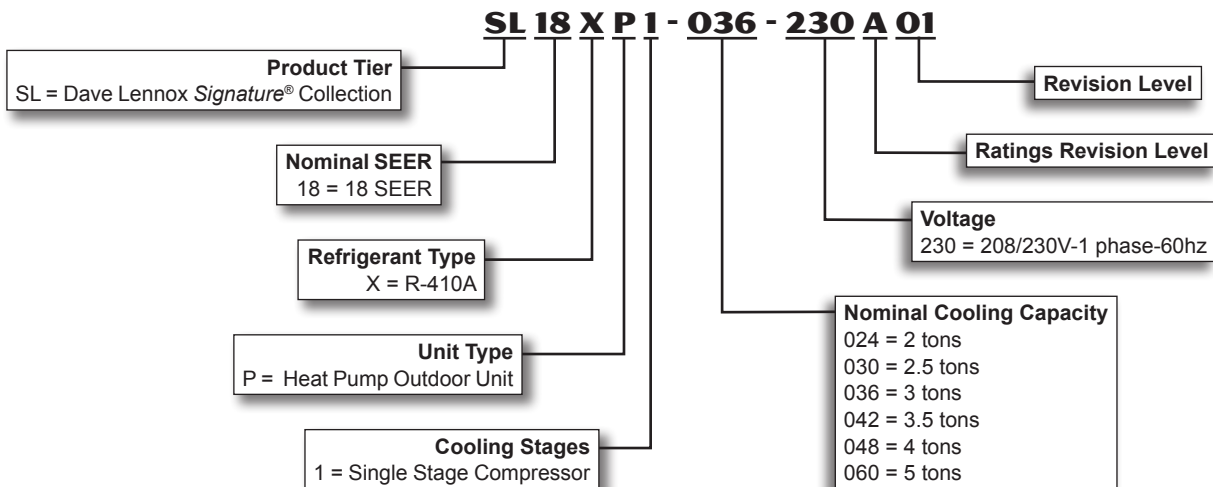
So simple. So smart. So comfortable.



**SEER up to 18.50**  
**2 to 5 Tons**

**Cooling Capacity - 23,400 to 57,000 Btuh**  
**Heating Capacity - 21,200 to 55,500 Btuh**

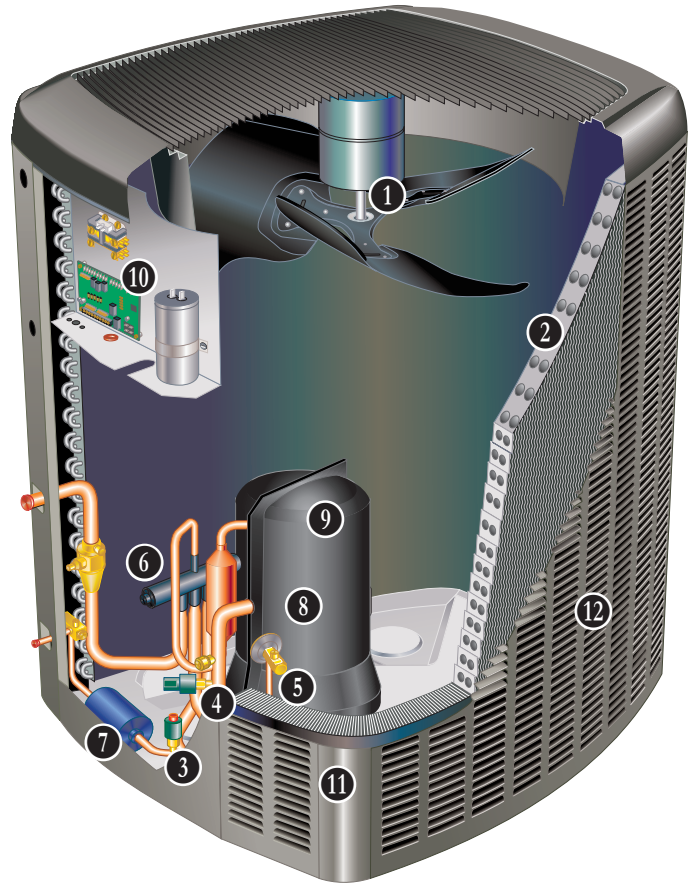
**MODEL NUMBER IDENTIFICATION**



## FEATURES

### CONTENTS

AHRI System Matches.....	16
Controls .....	12
Dimensions .....	14
Electrical Data.....	12
Features.....	2
Field Wiring.....	13
Installation Clearances .....	13
Model Number Identification .....	1
Optional Accessories .....	12
Sound Data.....	13
Specifications .....	12
Sunsource® Home Energy System - Components .....	8



### WARRANTY

**Compressor** - Limited warranty for ten years in residential installations and five years in non-residential installations.

**All other covered components** - Limited warranty for ten years in residential installations and one year in non-residential installations.

Refer to Lennox Equipment Limited Warranty certificate included with unit for specific details.

### APPROVALS

AHRI Certified to AHRI Standard 210/240-2008.

Tested in the Lennox Research Laboratory environmental test room.

Rated according to U.S. Department of Energy (DOE) test procedures.

Heat Pump units and components within bonded for grounding to meet safety standards for servicing required by ETL, NEC and CEC.

Units are ETL certified for the U.S. and Canada.

ISO 9001 Registered Manufacturing Quality System.

ENERGY STAR® certified units are designed to use less energy, help save money on utility bills, and help protect the environment. Many Lennox home comfort systems meet ENERGY STAR requirements when used with matching components.

### APPLICATIONS

SEER up to 18.50.

HSPF (Region IV) up to 10.20.

2 through 5 ton.

Single phase power supply.

Sound levels as low as 67 dB.

Vertical air discharge allows concealment behind shrubs at grade level or out of sight on a roof.

Designed for applications with remotely located indoor air handler units or gas furnaces with indoor add-on coils.

When heat pumps are used with gas furnaces, a dual-fuel compatible thermostat or a zone control system with dual-fuel capabilities must be used (order separately).

See Indoor Coils and Air Handlers sections for indoor unit data.

Units shipped completely factory assembled, piped, and wired. Each unit is test operated at the factory insuring proper operation.

Installer must set outdoor unit, connect refrigerant lines, and make electrical connections to complete job.

## FEATURES

### REFRIGERATION SYSTEM

#### R-410A Refrigerant

Non-chlorine, ozone friendly, R-410A.

Unit is factory pre-charged with refrigerant. Total system refrigerant charge is dependant on outdoor unit size, indoor unit size and refrigerant line length.

Refer to the unit-mounted charging sticker to determine correct amount of charge required.



#### 1 Outdoor Coil Fan with SilentComfort™ Technology

Specially-designed, SilentComfort fan guard uses Passive Vortex Suppression to reduce air noise.

Corrosion-resistant PVC (polyvinyl chloride) coated steel wire.

Specially designed fan blades reduce operating sound levels. Direct drive fan moves large air volumes uniformly through entire condenser coil for high refrigerant cooling capacity.

Vertical air discharge minimizes operating sounds and eliminates damage to lawn and shrubs.

Fan motor is inherently protected.

Motor totally enclosed for maximum protection from weather, dust and corrosion.

Fan service access accomplished by removal of fan guard.

#### 2 Lennox Quantum™ Coil

Fortified aluminum alloy tube/enhanced fin coil for superior corrosion resistance.

Lennox designed and fabricated coil.

Ripple-edged aluminum fins.

Aluminum tube construction.

Lanced fins provide maximum exposure of fin surface to air stream resulting in excellent heat transfer.

Fin collars grip tubing for maximum contact area.

Flared shoulder tubing connections.

Coil is factory tested under high pressure to insure leakproof construction.

Entire coil is accessible for cleaning.

#### 3 High Pressure Switch

Shuts off unit if abnormal operating conditions cause the discharge pressure to rise above setting.

Protects compressor from excessive condensing pressure.

Manual reset.

#### 4 Low Pressure Switch

Shuts off unit if suction pressure falls below setting.

Provides loss of charge and freeze-up protection.

Automatic reset.

#### 5 Expansion Valve - Outdoor Unit

Designed and sized specifically for use in heat pump system.

Sensing bulb is located on the suction line between the coil and the reversing valve thus sensing evaporator out temperature in the heat cycle.

Factory installed and piped.

#### 6 Reversing Valve

4-way interchange reversing valve effects a rapid change in direction of refrigerant flow resulting in quick changeover from cooling to heating and vice versa.

Valve operates on pressure differential between outdoor unit and indoor unit of the system. Factory installed.

#### 7 Hi-Capacity Liquid Line Drier

Factory installed in the liquid line, the drier traps moisture or dirt that could contaminate the refrigerant system.

100% molecular-sieve bead type drier.

### Optional Accessories

#### Check/Expansion Valve Kits

Must be ordered extra and field installed on certain evaporator units. See TXV Usage table.

Chatleff style fitting.

#### Freezestat

Installs on or near the discharge line of the evaporator or on the suction line.

Senses suction line temperature and cycles the compressor off when suction line temperature falls below it's setpoint.

Opens at 29°F and closes at 58°F.

#### Mild Weather Kit

For heat pump heating operation in mild weather climates. A pressure switch automatically cycles the outdoor fan motor when the head pressure rises above normal operating conditions.

#### Refrigerant Line Kits

Refrigerant lines (suction & liquid) are shipped refrigeration clean. Lines are cleaned, dried, pressurized, and sealed at factory.

Suction line fully insulated.

L15 lines are stubbed at both ends.

See Optional Accessories table for selection.

Not available for -060 model and must be field fabricated.

## FEATURES

### COMPRESSOR

#### 8 Scroll Compressor

Compressor features high efficiency with uniform suction flow, constant discharge flow, high volumetric efficiency and quiet operation.

Compressor consists of two involute spiral scrolls matched together to generate a series of crescent shaped gas pockets between them. During compression, one scroll remains stationary while the other scroll orbits around it. Gas is drawn into the outer pocket, the pocket is sealed as the scroll rotates. As the spiral movement continues, gas pockets are pushed to the center of the scrolls. Volume between the pockets is simultaneously reduced.

When the pocket reaches the center, gas is now at high pressure and is forced out of a port located in the center of the fixed scrolls.

During compression, several pockets are compressed simultaneously resulting in a smooth continuous compression cycle.

Continuous flank contact, maintained by centrifugal force, minimizes gas leakage and maximizes efficiency.

Scroll compressor is tolerant to the effects of slugging and contaminants. If this occurs, scrolls separate, allowing liquid or contaminants to be worked toward the center and discharged.

Low gas pulses during compression reduces operational sound levels.

Compressor motor is internally protected from excessive current and temperature.

Compressor is installed in the unit on resilient rubber mounts for vibration free operation.

Factory installed crankcase heater.

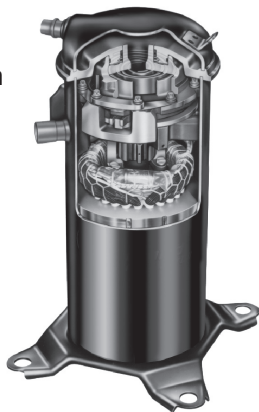
#### Crankcase Heater

Crankcase heater prevents migration of liquid refrigerant into compressor and ensures proper compressor lubrication.

#### 9 Compressor Sound Dampening System

A polyethylene compressor cover containing a 2-inch thick batt of fiberglass insulation for better sound dampening.

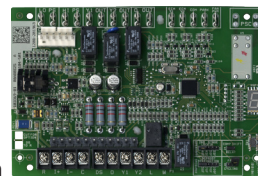
All open edges are sealed with a one-inch wide hook and loop fastening tape.



### CONTROLS

#### 10 iComfort® Control

Advanced iComfort® control communicates information about various operating parameters in the heat pump outdoor unit to the optional *iComfort Wi-Fi® Thermostat* to constantly maintain the highest level of comfort, performance and efficiency available.



Connections for connecting a conventional heat pump thermostat are also provided.

Auto Configuration - On start-up the control automatically sends a description of the unit to the optional *iComfort Wi-Fi® Thermostat* to automatically configure the number of stages and features available.

#### Seven-Segment Display

Seven-segment display shows information about outdoor unit type and capacity and also displays alerts for common fault conditions (electrical and mechanical).

Control also features:

- Compressor anti-short cycle delay (5 minutes).
- Compressor defrost shift delay - Adjustable 0 (factory) or 30 seconds.
- High and low pressure switch monitoring with provisions for lockout.
- Five-Strike lockout protection protects compressor.
- Outdoor air temperature and sensor monitoring.
- Fan cycling operates outdoor fan for 5 minutes when outdoor ambient air temperature is between 15°F and 35°F and the compressor has been off for 25 to 30 minutes. Reduces the potential for ice buildup on the fan orifice ring. User selectable 5 minutes on or off (default setting).
- Lennox Humiditrol® Whole Home Dehumidification System (EDA) compatible.
- EEPROM storage of all local configurations.

#### Outdoor Air Temperature Sensor

Used with iComfort®-enabled Thermostats.

Sensor allows thermostat to display outdoor temperature. Sensor is auto-detected when connected to thermostat.

Also used for dual-fuel and *Humiditrol®* applications.

## FEATURES

### **CONTROLS (continued)**

#### **IntelliFrost™ Adaptive Defrost Control**

Demand defrost control uses outdoor ambient temperature, coil temperature, and compressor run-time input to initiate the defrost cycle, which prevents frost build-up on the outdoor coils.

Defrost control jumper settings are 50°F, 70°F, 90°F and MAX. The default setting is 50°F.

Auto **ON** and Auto **OFF** defrost controls are based on the control's jumper setting.

- If Auto **OFF** is set, the defrost cycle will run based on a fixed jumper setting of 50, 70, 90°F or MAX.
- If Auto **ON** is set, the defrost cycle will run based on the following:

#### Initial Unit Power-up or Cooling Demand

- The defrost cycle will run based on the jumper setting after the unit's first power-up or first defrost cooling demand.

#### Accumulated Heating Run-Time Between Defrost Cycles

- If heating **runtime is equal or less than 50 minutes**, the defrost control setting will increase at the next defrost cycle based on the jumper setting.

Example: If the jumper setting is 50 or 70°F, the next defrost cycle will run at 90°F. If jumper setting is 90°F or MAX, the next defrost cycle will run at MAX.

- If heating **runtime is more than 60 minutes** between defrost cycles and jumper setting is 50, 70 or 90°F, the defrost control setting for the next defrost cycle will run based on the jumper setting.

Example: If the jumper setting is **MAX**, the next defrost cycle will *decrease* to 90°F.

- If **MAX** is set, the defrost cycle will always operate at the MAX setting when accumulated compressor OFF time is longer than 30 minutes *and* ambient temperature is *less* than 35°F.
- If the ambient sensor temperature is *higher* than 40°F and the jumper is set to **MAX**, the defrost cycle will run at 90°F. If the jumper is set at 50, 70 or 90°F, the defrost cycle will run based on the jumper setting.

### **Optional Accessories**

#### **Compressor Hard Start Kit**

Single-phase units are equipped with a PSC compressor motor.

This type of motor normally does not need a potential relay and start capacitor.

In conditions such as low voltage, kit may be required to increase the compressor starting torque.

#### **Indoor Blower Off Delay Relay**

Delays the indoor blower-off time during the cooling cycle.

#### **Low Ambient Kit**

Outdoor units will operate in the cooling mode satisfactorily down to 45°F outdoor air temperature without any additional controls.

Kit can be added in the field enabling unit to operate properly down to 30°F.

A Freezestat should be installed on compressors equipped with a low ambient kit.

A Compressor Low Ambient Cut-Off should be added to terminate compressor operation below recommended operating conditions.

#### **Monitor Kit - Service Light**

Contains ambient compensating thermistor and service light thermostat.

For use with thermostats requiring input for indicator lights.

#### **Outdoor Thermostat Kit**

An outdoor thermostat can be used to lock out some of the electric heating elements on indoor units where two-stage control is applicable.

Outdoor thermostat maintains the heating load on the low power input as long as possible before allowing the full power load to come on the line.

Thermostat kit and mounting box must be ordered separately.

## FEATURES

### CONTROLS (continued)

#### Optional Accessories

#### iComfort® S30 Thermostat (part of the iComfort® Residential Communicating Control System)

The *iComfort® S30 Thermostat* recognizes and connects to all iComfort®-enabled products to automatically configure and control the heating/cooling system (based on user-specified settings) for the highest level of comfort, performance and efficiency. Also recognizes model and serial number information for iComfort®-enabled products to simplify system setup.



Wi-Fi remote temperature monitoring and adjustment through a home wireless network for desktop PCs, laptops and apps for smartphones or tablets. Also displays service alerts and reminders.

Dealer Dashboard features online real-time monitoring of installed iComfort® systems.

A simple easy-to-use touchscreen allows complete system configuration. Scheduled maintenance alerts, system warnings and troubleshooting are also displayed on thermostat screen.

Easy to read 7 in. high definition color display (measured diagonally).

Conventional outdoor units (not iComfort®-enabled) can easily be added and controlled by the iComfort® S30 Thermostat.

Installer setup screens allow quick and simple system configuration without a manual, Installer can also run tests on complete system or individual components for easy maintenance and troubleshooting.

Serial communications bus (RSBus), with less wiring than a conventional heating/cooling system, allows system communication. Uses 4-wire, 18-gauge standard thermostat wiring.

Remote outdoor temperature sensor (furnished with outdoor unit) allows the thermostat to display outdoor temperature. Required in dual-fuel and *Humiditrol®* applications.

High Definition Color Display, Mag-Mount, Smart Hub Controller, wallplate (for retrofit installations) furnished for easy installation.

See the *iComfort® S30 Thermostat* Product Specifications bulletin in the Controls section for more information.

#### iComfort Wi-Fi® Thermostat (part of the iComfort® Residential Communicating Control System)

The *iComfort Wi-Fi® Thermostat* recognizes and connects to all iComfort®-enabled products to automatically configure and control the heating/cooling system (based on user-specified settings) for the highest level of comfort, performance and efficiency. Also



recognizes model and serial number information for iComfort®-enabled products to simplify system setup.

Wi-Fi remote temperature monitoring and adjustment through a home wireless network for desktop PCs, laptops and apps for smartphones or tablets. Also displays service alerts and reminders.

Dealer Dashboard features online real-time monitoring of installed iComfort® systems.

A simple easy-to-use touchscreen allows complete system configuration. Scheduled maintenance alerts, system warnings and troubleshooting are also displayed on thermostat screen.

Easy to read 7-inch color screen (measured diagonally).

Conventional outdoor units (not iComfort®-enabled) can easily be added and controlled by the iComfort Wi-Fi® Thermostat.

Installer setup screens allow quick and simple system configuration without a manual, Installer can also run tests on complete system or individual components for easy maintenance and troubleshooting.

Serial communications bus (RSBus), with less wiring than a conventional heating/cooling system, allows system communication. Uses 4-wire, 18-gauge standard thermostat wiring.

Remote outdoor temperature sensor (furnished with outdoor unit) allows the thermostat to display outdoor temperature. Required in dual-fuel and *Humiditrol®* applications.

See the *iComfort Wi-Fi® Thermostat* Product Specifications bulletin in the Controls section for more information.

## FEATURES

### CONTROLS (continued)

#### Optional Accessories (continued)

##### ComfortSense® 7500 Touchscreen Thermostat

Electronic 7-day, universal, multi-stage, programmable, touchscreen thermostat.

4 Heat/2 Cool.

Auto-changeover.

Dual-fuel control with optional outdoor sensor.

Controls dehumidification during cooling mode and humidification during heating mode.

Offers enhanced capabilities including humidification / dehumidification / dewpoint measurement and control, *Humiditrol*® control, and equipment maintenance reminders.

Easy-to-use, menu driven thermostat with a back-lit, LCD touchscreen.

See the ComfortSense® 7500 Product Specifications bulletin in the Controls section for more information.



##### Remote Outdoor Temperature Sensor for ComfortSense® 7500 Thermostat

Allows the thermostat to display outdoor temperature. Required in dual-fuel and *Humiditrol*® applications.

##### Thermostat

Thermostat is not furnished with unit.

See Thermostat bulletins in Controls Section and Lennox Price Book for selection.

### 11 CABINET

Heavy-gauge steel construction

Pre-painted cabinet finish.

Control box is conveniently located with all controls factory wired.

Large removable panel provides service access.

Drainage holes are provided in base section for moisture removal.

High density polyethylene unit support feet raise the unit off of the mounting surface, away from damaging moisture.

##### PermaGuard™ Unit Base

Durable zinc-coated base section resists rust and corrosion.

### 12 SmartHinge™ Louvered Coil Protection

Steel louvered panels provides complete coil protection.

Panels are hinged to allow easy cleaning and servicing of coils.

Panels may be completely removed.

Interlocking tabs and slots assure tight fit on cabinet.



##### Refrigerant Line Connections, Electrical Inlets and Service Valves

Suction and liquid lines are located on corner of unit cabinet and are made with sweat connections. See dimension drawing.

Fully serviceable brass service valves prevent corrosion and provide access to refrigerant system. Suction valve can be fully shut off, while liquid valve may be front seated to manage refrigerant charge while servicing system.

Suction and liquid line service valves and gauge ports are located inside the cabinet.

Refrigerant line connections and field wiring inlets are located in one central area of the cabinet. See dimension drawing.

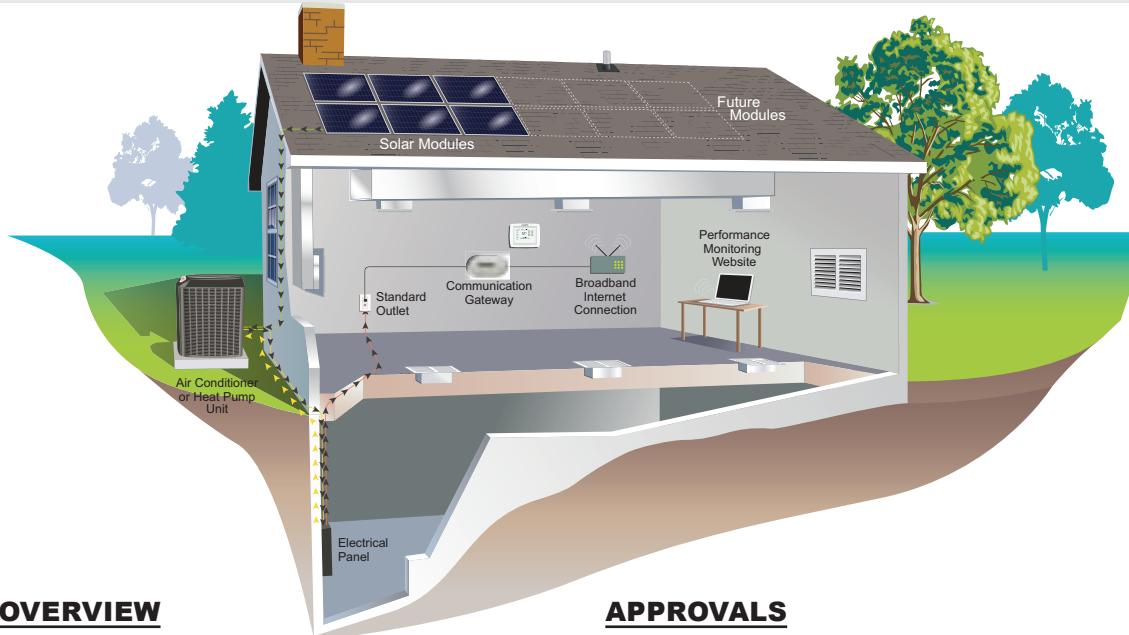
#### Optional Accessories

##### Snow Guards

For use in locations where the possibility of heavy snow or freezing rain accumulation may occur.

Heavy gauge powder coated steel guard deflects snow and ice away from the outdoor fan and prevents build-up on the fan guard.

## SUNSOURCE® HOME ENERGY SYSTEM - COMPONENTS



### SYSTEM OVERVIEW

All Dave Lennox Signature® Collection air conditioners and heat pumps are equipped at the factory for upgrading to the SunSource® Home Energy System. Units can be upgraded at the time of installation or in the future.

Solar energy is first used to meet cooling/heating demands. When the cooling/heating system is not operating, the system powers lighting, appliances and other electronic devices in the home. And in some locations, any surplus power is sent back to the utility company for a possible credit (check with your local utility company for availability).

The SunSource system consists of the following components:

- Lennox Solar Sub-Panel field installed in a Dave Lennox *Signature*® Collection air conditioner or heat pump unit.
- SolarWorld Pre-Engineered Kits consisting of:
  - SolarWorld Solar Modules (multiple modules may be used to vary the amount of electricity generated).
  - Enphase Microinverter that converts Direct Current to Alternating Current.
  - Enphase Envoy Communications Gateway for solar power performance monitoring.
  - Roof Mounting Components

Wiring from the roof mounted solar modules is routed to the outdoor unit. From there power travels to the home electrical service panel using the existing outdoor unit power wiring.

*NOTE - Refer to separate Product Specifications Bulletin for the SunSource® Home Energy System for more detailed information. See section Solar - Kits/ Accessories.*

Also refer to **SunSource® Home Energy System Applications and Design Guidelines** Manual (Corp. 1312-L2) for complete information on designing, sizing and installing a complete system.

### APPROVALS

The SunSource® Home Energy System meets the requirements for federal tax credit eligibility listed under the U.S. Emergency Economic Stabilization Act of 2008, covering 30% of the cost of the solar modules, including installation.

### LENNOX® SOLAR SUB-PANEL

The Lennox® Solar Sub-Panel replaces the factory piping panel on the outdoor unit and provides circuit breaker protection and power entry for both HVAC (line) and solar power wiring.

Sub-Panel is equipped with separate circuit breakers for both HVAC (line) voltage and solar power.

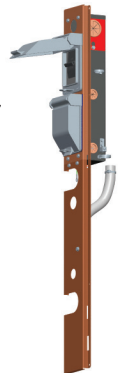
Equipped with pigtail connections for easy field wiring.

Sub-Panel is an ETL listed accessory.

Split design (upper/lower panel) allows installation on different size outdoor units. Sub-Panel is furnished with three separate lower panels. See Outdoor Unit Usage table for correct lower panel size.

*NOTE - Sub-Panel is not backwards compatible with older non Solar-Ready Dave Lennox Signature® Collection outdoor units.*

Disconnects for HVAC (line) and solar power wiring are not furnished and must be field provided.

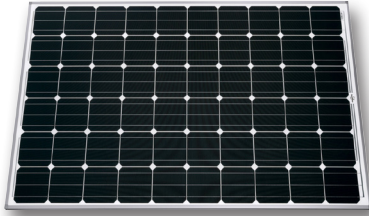




## SUNSOURCE® HOME ENERGY SYSTEM - COMPONENTS

### **SOLAR MODULE**

Captures solar energy to convert into AC power through the Enphase Microinverter.



Laminated solar module structure consists of the solar glass, two ethylene vinyl acetate (EVA) sheets, the solar cell matrix and a back sheet.

Thick low-iron safety glass withstands extreme weather conditions and heavy snow loads.

Solar modules are ETL/Intertek listed for the US and Canada to UL Standard 1703 and meet National and Canadian Electrical Code requirements.

#### **Solar Module Frame**

Available in black or clear anodized silver frame with cast aluminum corner keys.

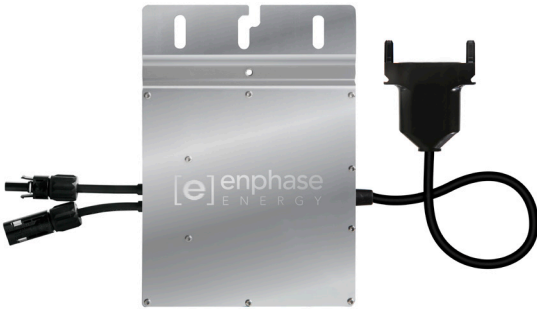
Low profile with extended flange.

Compatible with “top-down” and “bottom-up” mounting methods.

Eight grounding locations (Four corners of the frame and four locations along the length of the module in the extended flange).

Extended cable lengths for easier installation.

### **ENPHASE MICROINVERTER**



Converts Direct Current (DC), captured by a solar module, to Alternating Current (AC) power. Each solar module is paired with one Enphase Microinverter.

Installed beneath each solar module on the roof.

Enphase Microinverters operate independently from each other allowing solar modules that are not shaded or dirty to operate with optimum performance.

Supports low-light and low-voltage operation.

### **SYSTEM MONITORING**

#### **Enphase Envoy Communications Gateway (Communications Booster Furnished)**

The Enphase Envoy Communications Gateway monitors microinverter (on solar modules) performance and can be connected to a broadband internet connection to send data to the Enphase



Enlighten™ web site for online monitoring by the homeowner. The Enphase Envoy Communications Gateway is not required, but must be used if system performance monitoring is desired.

System monitoring is also available locally with the Enphase Envoy Communications Gateway and a personal computer if no internet connection is available.

Various Event Messages are also available when monitoring the system via a personal computer locally.

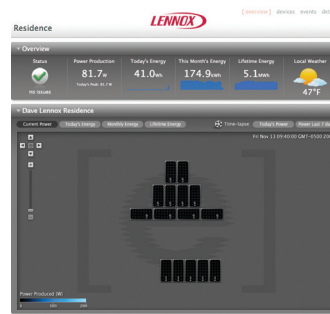
Contents - (1) Enphase Envoy Communications Gateway, (1) 6 ft. power cord, (1) 10 ft. Ethernet cable, communications booster.

CSA (US/C) listed.

#### **Communications Booster**

Ethernet bridge signal booster for the Enphase Envoy Communications Gateway. Booster is only needed if the communications gateway is installed and signal is not strong enough in the installed location. Allows the unit to be plugged into an outlet closer to the distribution panel, yet still plug into the broadband router.

#### **Enphase Enlighten™ Performance Monitoring Website**

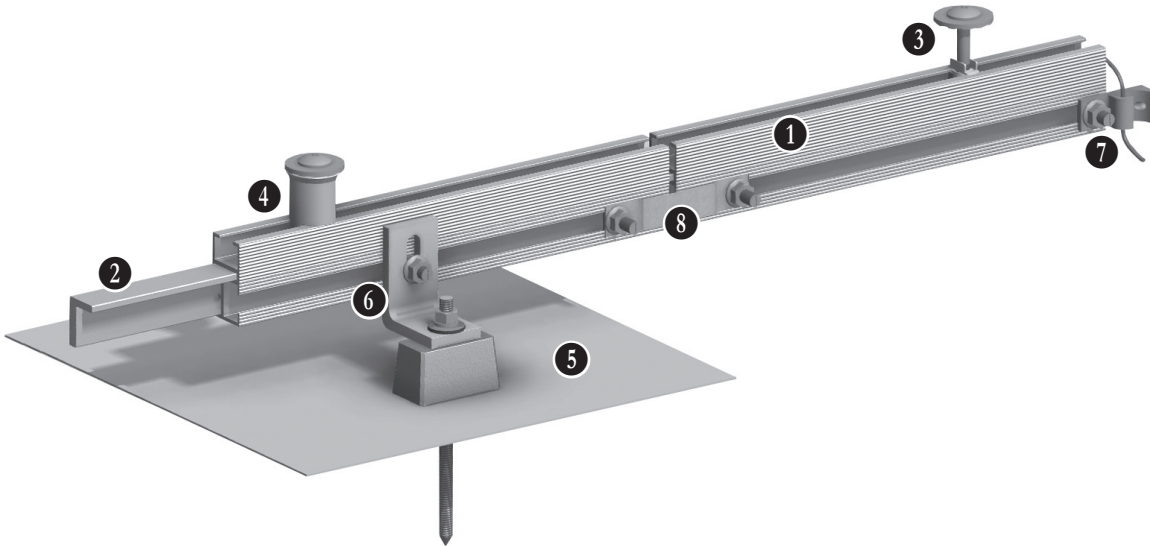


Powered by the Enphase Envoy Communications Gateway, the Enphase Enlighten™ Performance Monitoring website allows the homeowner to keep track of home energy usage and see environmental benefits in real time. Also aids in troubleshooting any solar-related issues.

See demos, view reference installations and other additional information at:

<http://enlighten.enphaseenergy.com>

**ROOF MOUNTING COMPONENTS**



- 1 Rails** - Provides a mounting surface for Solar Modules in portrait orientation using associated hardware. Serrations on sides of rails provide a secure and stable mating surface for hardware (L-Brackets, Rail Splice Ground Jumper, Ground Lug). Available in 122 in. (3099 mm) and 162 in. (4115 mm) lengths.
- 2 Rail Splice Bar Connector** - For connecting two lengths of rail together. No fasteners required. Pin on center of splice leaves a gap between rails to allow for thermal expansion.
- 3 Top Clamp Assembly (Silver or Black)** - M8 T40 bolt with channel nut, bolt positioning retainer and serrated module clamping washer. Inserts into rail slot to secure modules and set spacing in-between each one.
- 4 End Clamp Aluminum Spacer (Silver or Black)** - Used with Top Clamp Assembly for securing the end of module mounting row.
- 5 Composition Roof Mount/Flashing (Mil Aluminum or Bronze)** - Provides roof mounting surface for mounting system. Size - 12 x 12 in. (305 x 305 mm). Base block, hanger bolt and hardware furnished. Adds 1-1/4 in. (32 mm) height below the L-Bracket.
- 6 L-Bracket** - Clear anodized aluminum with serrated mating surface. Fastens rail to Roof Mount/Flashing. Has two 1 in. (25 mm) slots that provide adjustment from 2-1/2 to 3-1/2 in. (64 to 89 mm).  
**Wire Clip (not shown)** - Provides wire management for solar array wiring. Fastens to edge of rail. For 10 AWG.  
**Ground Lug (not shown)** - Tin plated, WEEB 8.0, lay-in type. Mounts to corner of solar module.
- 7 Rail-Equipment Ground WEEB 8.0 Lug** - T-bolt slides into rail for secure connection.
- 8 Rail Splice Ground Jumper** - WEEB 8.0, pre-assembled with T-bolts. Electrically bonds rails together. Required at each rail splice.

**Rooftop Junction Box (not shown)** - Soladeck JBox with flashing. Used to transition from the AC-Interconnection cable to wiring/conduit to the outdoor unit. ETL-listed weather-tight enclosure.

**Passthru Kit (not shown)** - Used with Rooftop Junction Box. One-branch AC passthru kits. Contains all necessary wiring hardware.

**ENPHASE ENGAGE CABLE COMPONENTS**

**Enphase Engage Cable** - The Engage Cable (shown with connector) is a 12 AWG cable with pre-installed connectors (portrait aligned) that plug into the Microinverter. Four wire cable (240V single-phase).



**Enphase Engage Cable Terminator** - Each Engage Cable is terminated at a junction or combiner box. The opposite end of the cable must be terminated with an Engage Cable Terminator cap.



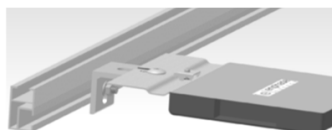
**Enphase Engage Disconnect Tool** - Specialized tool that disconnects the Engage Cable from a Microinverter or watertight sealing cap.



**Enphase Engage Water-tight Sealing Cap** - Use when open connections on the Engage Cable are not mated to a Microinverter.



**ENPHASE MICROINVERTER MOUNTING**



L-Bracket and associated hardware to mount microinverter to rail.

## SUNSOURCE® - PRE-ENGINEERED KITS

### ORDERING

SunSource® Pre-Engineered Kits are available for composition shingle roofs, standing seam roofs, trapezoid metal roofs, flat tile roofs and S tile roofs. See the Sunsource Home Energy System Product Specifications bulletin for complete Pre-Engineered Kits ordering instructions and the Ordering Process Flowchart/Worksheet.

The Installation Package contains the appropriate number of required Rails, Splices, Brackets, Clamps, Clips and assorted hardware (nuts/bolts/washers) for the installation.

### NOTE

The Lennox® Solar Sub-Panel for the outdoor unit must be ordered separately. See below for ordering information.

#### Lennox® Solar Sub-Panel



Order one per outdoor unit. Replaces the outdoor unit piping panel and provides the connection between the solar modules and outdoor unit.

**62E02**

## LENNOX® SOLAR SUBPANEL - OUTDOOR UNIT USAGE

Outdoor Unit Model No.	Lower Subpanel Height - inches (mm)		
	17 (432)	21 (533)	27 (686)
SL18XP1-024-030	X		
SL18XP1-036-042		X	
SL18XP1-048-060			X

## SPECIFICATIONS

General Data		Model No.	SL18XP1-024	SL18XP1-030	SL18XP1-036	SL18XP1-042	SL18XP1-048	SL18XP1-060	
Nominal Tonnage			2	2.5	3	3.5	4	5	
Connections (sweat)	Liquid line (o.d.) - in.		3/8	3/8	3/8	3/8	3/8	3/8	
	Vapor (Suction) line (o.d.) - in.		3/4	3/4	7/8	7/8	7/8	1-1/8	
Refrigerant	<sup>1</sup> R-410A charge furnished		8 lbs. 6 oz.	8 lbs. 10 oz.	9 lbs. 14 oz.	9 lbs. 11 oz.	11 lbs. 0 oz.	10 lbs. 5 oz.	
Outdoor Coil	Net face area	Outer coil	20.73	20.73	23.33	23.33	27.21	27.21	
		Inner coil	20.08	20.08	22.60	22.60	26.36	26.36	
	- sq. ft.								
	Tube diameter - in.			5/16	5/16	5/16	5/16	5/16	5/16
	No. of rows			2	2	2	2	2	2
Fins per inch			22	22	22	22	22	22	
Outdoor Fan	Diameter - in.		26	26	26	26	26	26	
	No. of blades		3	3	3	3	3	3	
	Motor hp		1/3	1/3	1/3	1/3	1/3	1/3	
	Cfm		2600	2800	3650	3650	4000	4300	
	Rpm		730	800	800	800	800	875	
	Watts		65	85	160	160	160	200	
Shipping Data - lbs. 1 pkg.			253	257	271	294	319	321	

## ELECTRICAL DATA

Line voltage data - 60hz - 1 ph	208/230V	208/230V	208/230V	208/230V	208/230V	208/230V	
<sup>2</sup> Maximum overcurrent protection (amps)	25	30	35	40	45	60	
<sup>3</sup> Minimum circuit ampacity	20.0	20.0	22.0	25.2	26.8	32.4	
Compressor	Rated load amps	10.9	13.5	15.4	17.9	19.2	23.7
	Locked rotor amps	59.3	72.5	83.9	112.0	117.0	152.5
	Power factor	0.98	0.98	0.98	0.97	0.97	0.98
Outdoor Fan Motor	Full load amps	2.8	2.8	2.8	2.8	2.8	2.8

## CONTROLS

iComfort® S30 Thermostat	12U67	•	•	•	•	•	•
iComfort Wi-Fi® Thermostat	10F81	•	•	•	•	•	•
ComfortSense® 7500 Thermostat	13H14	•	•	•	•	•	•
Outdoor Temperature Sensor - for ComfortSense® 7500	X2658	•	•	•	•	•	•
<sup>4</sup> Discharge Air Temperature Sensor	88K38	•	•	•	•	•	•

## OPTIONAL ACCESSORIES - ORDER SEPARATELY

Compressor Hard Start Kit	88M91	•	•	•	•	•	•
Compressor Low Ambient Cut-Off	45F08	•	•	•	•	•	•
Freezestat	3/8 in. tubing	93G35	•	•	•	•	•
	5/8 in. tubing	50A93	•	•	•	•	•
<sup>5</sup> Low Ambient Kit	68M04	•	•	•	•	•	•
Indoor Blower Off Delay Relay	58M81	•	•	•	•	•	•
Mild Weather Kit	11B97	•	•	•	•	•	•
Monitor Kit - Service Light	76F53	•	•	•	•	•	•
Outdoor Thermostat Kit	Thermostat	56A87	•	•	•	•	•
	Mounting Box	31461	•	•	•	•	•
Refrigerant Line Sets	L15-41-20	L15-41-40	•	•			
	L15-41-30	L15-41-50					
	L15-65-30	L15-65-40			•	•	•
		L15-65-50					
	Field Fabricate						•
<sup>6</sup> Snow Guards	X8782	•	•	•	•	•	•

NOTE - Extremes of operating range are plus 10% and minus 5% of line voltage.

<sup>1</sup> Refrigerant charge sufficient for 15 ft. length of refrigerant lines.

<sup>2</sup> HACR type breaker or fuse.

<sup>3</sup> Refer to National or Canadian Electrical Code manual to determine wire, fuse and disconnect size requirements.

<sup>4</sup> Used with the iComfort® S30 and iComfort Wi-Fi® Thermostats for optional service diagnostics.

<sup>5</sup> Compressor Low Ambient Cut-Off and Freezestat are recommended with Low Ambient Kit.

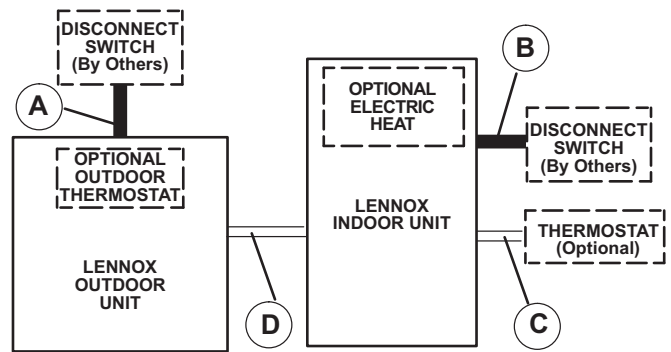
<sup>6</sup> Adds 11-1/2 inches (292 mm) to unit height.

## FIELD WIRING

- A - Two Wire Power (see Electrical Data)
- B - Two or Three Wire Power (size to heater capacity)
- C - Twelve Wire Low Voltage 18 ga. minimum  
Fourteen Wire Low Voltage with Optional Outdoor Thermostat
- D - Eight Wire Low Voltage 18 ga. minimum - With Conventional Thermostat  
Ten Wire Low Voltage - With Conventional Thermostat and Optional Outdoor Thermostat  
Four Wire Low Voltage RSBUS (not furnished) 18 ga. minimum - With iComfort Wi-Fi® Thermostat

*NOTE - Field Wiring Not Furnished*

All wiring must conform to NEC or CEC and local electrical codes.



## SOUND DATA

<sup>1</sup> Unit Model No.	Octave Band Linear Sound Power Levels dBA, re 10 <sup>-12</sup> Watts Center Frequency - HZ							<sup>1</sup> Sound Rating Number (SRN) (dBA)
	125	250	500	1000	2000	4000	8000	
SL18XP1-024	53.0	60.3	62.7	61.3	58.4	50.9	44.3	67
SL18XP1-030	56.0	59.1	65.0	65.1	59.9	52.7	48.7	69
SL18XP1-036	58.2	62.8	65.6	65.7	59.9	53.4	46.3	70
SL18XP1-042	55.7	61.9	64.7	62.9	60.3	53.8	50.6	70
SL18XP1-048	56.4	61.0	64.8	65.4	60.1	52.9	47.9	70
SL18XP1-060	57.2	61.8	64.6	62.6	59.4	53.2	48.2	73

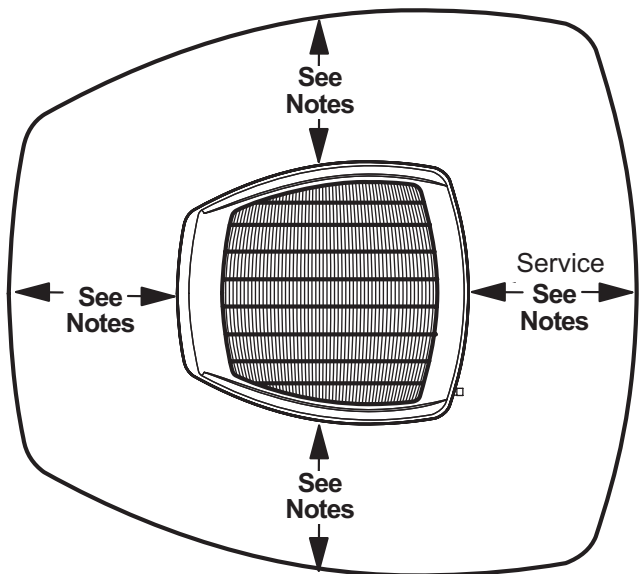
NOTE - the octave sound power data does not include tonal correction.

<sup>1</sup> Tested according to AHRI Standard 270-2008 test conditions.

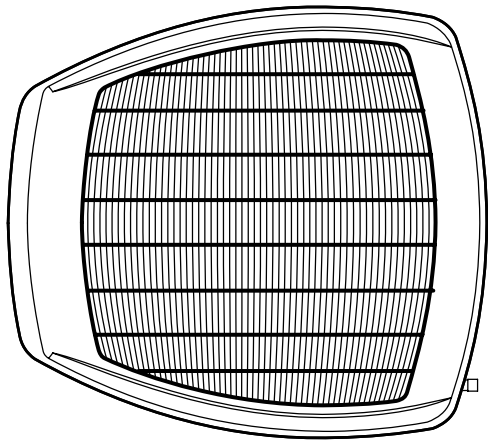
## INSTALLATION CLEARANCES

### NOTES:

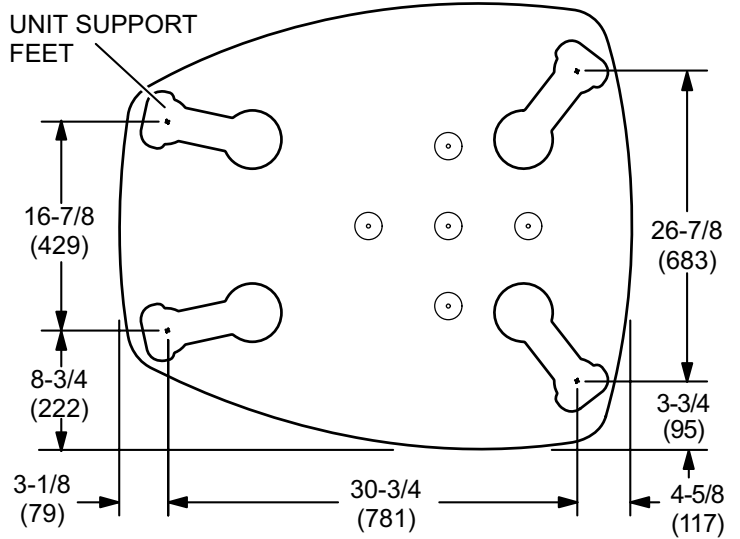
- One of these three sides must be 36 in. (914 mm).
- One of the two remaining sides may be 12 in. (305 mm).
- The remaining side may be 6 in. (152 mm).
- Service Clearance - 30 in. (762 mm)
- 48 in. (1219 mm) clearance required on top of unit
- 24 in. (610 mm) required between two units



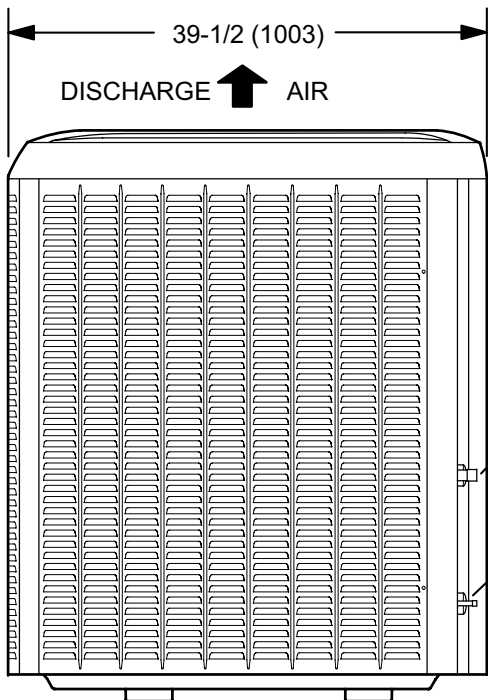
**DIMENSIONS - INCHES (MM)**



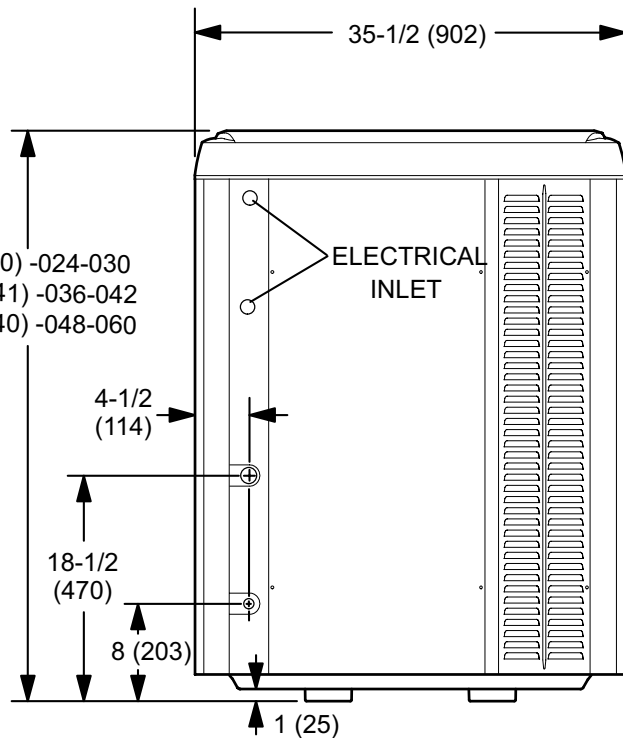
**TOP VIEW**



**TOP VIEW BASE SECTION  
(Large Base)**



**SIDE VIEW**



**ACCESS VIEW**

## TXV USAGE

Model No.	Order No.
SL18XP1-024	12J18
SL18XP1-030	12J18
SL18XP1-036	12J19
SL18XP1-042	12J20
SL18XP1-048	12J20
SL18XP1-060	12J20

CX34 upflow coils and all Lennox air handlers are shipped with a factory installed TXV.

C33 and CH33 coils - Replace the factory installed orifice with the expansion valve listed.

CR33 and CH23 - Use the expansion valve listed.

## MOST POPULAR MATCHES

Outdoor Unit Model No.	Indoor Unit Model No
SL18XP1-024	CBX32MV-024/030
SL18XP1-030	CBX32MV-024/030
SL18XP1-036	CBX32MV-048
SL18XP1-042	CBX32MV-048
SL18XP1-048	CBX32MV-060
SL18XP1-060	CBX32MV-060

## AHRI STANDARD 210/240

Cooling or heating capacities are net values, including the effects of blower motor heat, and do not include supplementary heat. Power input is the total power input to the compressor(s) and fan(s), plus any controls and other items required as part of the system for normal operation.

## \*TXV SUBSTITUTIONS

Use this table to determine if the factory installed TXV in the indoor unit needs to be replaced.

Model No.	Indoor Coil	Factory TXV	Replacement TXV
SL18XP1-030	CX34-43	12J20	12J18
SL18XP1-030	CX34-50/60	12J20	12J18

\* CX34 coils - The factory installed expansion valve must be replaced with the expansion valve listed (ordered separately).

If the combination is not listed above, the factory installed TXV is used.

Units which do not have an indoor air-circulating blower furnished as part of the model, i.e., split system with indoor coil only, is established by subtracting from the total cooling capacity 1250 Btu/h per 1,000 cfm, and by adding the same amount to the heating capacity. Total power input for both heating and cooling is increased by 365 W per 1,000 cfm of indoor air circulated.

## AHRI SYSTEM MATCHES

Model No.	Cooling Cap.	SEER	EER	Heat Capacity		Heat COP		HSPF (IV)	Coil or Air Handler	Furnace	AHRI Ref. Number
				High	Low	High	Low				
SL18XP1-024-230A	24,000	17.00	14.00	21,600	13,500	4.06	2.74	9.60	C33-38A	EL180UH045E36A	8329075
SL18XP1-024-230A	24,000	17.00	14.00	21,600	13,500	4.06	2.74	9.60	C33-38A	EL180UH045XE36A	8329076
SL18XP1-024-230A	24,000	18.00	14.50	21,400	13,400	4.18	2.80	9.60	C33-38A	SL280UH070V36A	8329077
SL18XP1-024-230A	24,000	18.00	14.50	21,400	13,400	4.18	2.80	9.60	C33-38A	SL280UH070XV36A	8329078
SL18XP1-024-230A	24,000	18.00	14.50	21,400	13,400	4.14	2.78	9.60	C33-38B	EL180UH070E36B	8329079
SL18XP1-024-230A	24,000	18.00	14.50	21,400	13,400	4.14	2.78	9.60	C33-38B	EL180UH070XE36B	8329080
SL18XP1-024-230A	23,800	17.50	14.00	21,400	13,400	4.04	2.74	9.60	C33-38B	EL195UH045XE36B	8329081
SL18XP1-024-230A	24,000	17.50	14.50	21,400	13,500	4.10	2.78	9.60	C33-38B	EL195UH070XE36B	8329082
SL18XP1-024-230A	23,800	17.50	14.00	21,400	13,400	4.04	2.74	9.60	C33-38B	EL296UH045XE36B	8329083
SL18XP1-024-230A	24,000	17.50	14.50	21,400	13,400	4.10	2.76	9.60	C33-38B	EL296UH045XV36B	8329084
SL18XP1-024-230A	24,000	17.50	14.50	21,400	13,500	4.10	2.78	9.60	C33-38B	EL296UH070XE36B	8329085
SL18XP1-024-230A	23,800	18.00	14.50	21,200	13,300	4.08	2.78	9.60	C33-38B	SL280UH090V36B	8329086
SL18XP1-024-230A	24,000	18.00	14.50	21,400	13,400	4.14	2.78	9.60	C33-38B	SLP98UH070XV36B	8329087
SL18XP1-024-230A	23,600	15.00	12.50	22,200	14,100	3.82	2.58	9.00	C33-38B		8329088
SL18XP1-024-230A	24,000	18.00	14.50	21,600	13,700	4.18	2.86	9.60	CBX27UH-024		8331363
SL18XP1-024-230A	24,000	18.50	15.00	22,200	14,500	4.34	2.98	10.20	CBX27UH-030		8331364
SL18XP1-024-230A	23,600	16.50	13.50	22,000	14,000	3.98	2.70	9.50	CBX32M-030		8331365
SL18XP1-024-230A	24,000	16.50	13.50	22,800	15,000	4.06	2.78	9.60	CBX32M-036		8331366
SL18XP1-024-230A	24,000	18.00	14.50	21,600	13,700	4.20	2.86	9.60	CBX32MV-024/030		8331367
SL18XP1-024-230A	24,000	18.00	14.50	22,400	14,700	4.26	2.92	10.20	CBX32MV-036		8331368
SL18XP1-024-230A	24,000	18.00	15.00	22,400	14,700	4.30	2.94	10.20	CBX40UHV-024		8331369
SL18XP1-024-230A	24,000	18.00	14.50	22,400	14,700	4.26	2.94	10.20	CBX40UHV-030		8331370
SL18XP1-024-230A	24,000	18.00	15.00	22,600	14,800	4.38	2.98	10.20	CBX40UHV-036		8331371
SL18XP1-024-230A	24,000	18.00	15.00	21,400	13,700	3.88	2.72	9.50	CH33-44/48B	EL180UH070E36B	8329089
SL18XP1-024-230A	24,000	18.00	15.00	21,400	13,700	3.88	2.72	9.50	CH33-44/48B	EL180UH070XE36B	8329090
SL18XP1-024-230A	24,000	17.50	14.50	21,400	13,700	3.80	2.66	9.00	CH33-44/48B	EL195UH045XE36B	8329091
SL18XP1-024-230A	24,000	18.00	15.00	21,400	13,700	3.86	2.70	9.50	CH33-44/48B	EL195UH070XE36B	8329092
SL18XP1-024-230A	24,000	17.50	14.50	21,400	13,700	3.80	2.66	9.00	CH33-44/48B	EL296UH045XE36B	8329093
SL18XP1-024-230A	24,000	18.00	15.00	21,400	13,700	3.86	2.70	9.50	CH33-44/48B	EL296UH045XV36B	8329094
SL18XP1-024-230A	24,000	18.00	15.00	21,400	13,700	3.86	2.70	9.50	CH33-44/48B	EL296UH070XE36B	8329095
SL18XP1-024-230A	24,000	18.00	15.00	21,400	13,700	3.90	2.72	9.50	CH33-44/48B	EL296UH070XV36B	8657241
SL18XP1-024-230A	24,000	18.00	15.00	21,400	13,600	3.94	2.72	9.60	CH33-44/48B	SL280UH090V36B	8329096
SL18XP1-024-230A	24,000	18.00	15.00	21,400	13,700	3.90	2.72	9.50	CH33-44/48B	SLP98UH070XV36B	8329097
SL18XP1-024-230A	24,000	15.50	13.00	22,000	14,300	3.58	2.52	9.00	CH33-44/48B		8329098
SL18XP1-024-230A	24,000	17.00	14.00	21,600	13,500	4.06	2.74	9.60	CX34-38A	EL180UH045E36A	8329110
SL18XP1-024-230A	24,000	17.00	14.00	21,600	13,500	4.06	2.74	9.60	CX34-38A	EL180UH045XE36A	8329111
SL18XP1-024-230A	24,000	18.00	14.50	21,400	13,400	4.18	2.80	9.60	CX34-38A	SL280UH070V36A	8329112
SL18XP1-024-230A	24,000	18.00	14.50	21,400	13,400	4.18	2.80	9.60	CX34-38A	SL280UH070XV36A	8329113
SL18XP1-024-230A	23,400	15.00	12.50	22,000	14,000	3.78	2.58	9.00	CX34-38A		8329109
SL18XP1-024-230A	24,000	18.00	14.50	21,400	13,400	4.14	2.78	9.60	CX34-38B	EL180UH070E36B	8329114
SL18XP1-024-230A	24,000	18.00	14.50	21,400	13,400	4.14	2.78	9.60	CX34-38B	EL180UH070XE36B	8329115
SL18XP1-024-230A	23,800	17.50	14.00	21,400	13,400	4.04	2.74	9.60	CX34-38B	EL195UH045XE36B	8329116
SL18XP1-024-230A	24,000	17.50	14.50	21,400	13,500	4.10	2.78	9.60	CX34-38B	EL195UH070XE36B	8329117
SL18XP1-024-230A	23,800	17.50	14.00	21,400	13,400	4.04	2.74	9.60	CX34-38B	EL296UH045XE36B	8329118
SL18XP1-024-230A	24,000	17.50	14.50	21,400	13,400	4.10	2.76	9.60	CX34-38B	EL296UH045XV36B	8329204
SL18XP1-024-230A	24,000	17.50	14.50	21,400	13,500	4.10	2.78	9.60	CX34-38B	EL296UH070XE36B	8329119
SL18XP1-024-230A	24,000	18.00	14.50	21,400	13,400	4.14	2.78	9.60	CX34-38B	EL296UH070XV36B	8657242

### NOTES:

Ratings are AHRI certified to AHRI Standard 210/240 (with 25 ft. of connecting refrigerant lines);

- Cooling Ratings - 95°F outdoor air temperature and 80 °F db/67° F wb entering indoor coil air.
- High Temperature Heating Ratings - 47° F db/43° F wb outdoor air temperature and 70 °F db entering indoor coil air.
- Low Temperature Heating Ratings - 17 °F db/15° F wb outdoor air temperature and 70 °F db entering indoor coil air.

All ratings include the use of a blower time delay relay (TDR). All Lennox variable-speed Furnaces and Air Handlers have time delay capabilities. Other Furnaces and Air Handlers may require an optional time delay relay (**58M81**) for field installation. See furnace or air handler specifications to determine if relay is needed.

Also see TXV Substitution Table at the beginning of the Heat Pump AHRI System Matches section.

When used with gas furnaces, a dual-fuel control, a control system with dual-fuel capabilities (LZP-2 or LZP-4), or a thermostat with dual-fuel capabilities must be used (order separately).

To convert HSPF from Region IV to Region V - Divide by 1.15.



## AHRI SYSTEM MATCHES

Model No.	Cooling Cap.	SEER	EER	Heat Capacity		Heat COP		HSPF (IV)	Coil or Air Handler	Furnace	AHRI Ref. Number
				High	Low	High	Low				
SL18XP1-024-230A	23,800	18.00	14.50	21,200	13,300	4.08	2.78	9.60	CX34-38B	SL280UH090V36B	8329120
SL18XP1-024-230A	24,000	18.00	14.50	21,400	13,400	4.14	2.78	9.60	CX34-38B	SLP98UH070XV36B	8329121
SL18XP1-030-230A	29,800	16.00	13.50	27,200	17,600	3.86	2.74	9.60	C33-38A	EL180UH045E36A	8329225
SL18XP1-030-230A	29,800	16.00	13.50	27,200	17,600	3.86	2.74	9.60	C33-38A	EL180UH045XE36A	8329226
SL18XP1-030-230A	29,200	14.50	12.00	27,600	18,100	3.62	2.58	9.00	C33-38A		8329224
SL18XP1-030-230A	29,800	16.50	13.50	27,000	17,500	3.92	2.78	9.60	C33-38B	EL180UH070E36B	8329227
SL18XP1-030-230A	29,800	16.50	13.50	27,000	17,500	3.92	2.78	9.60	C33-38B	EL180UH070XE36B	8329228
SL18XP1-030-230A	29,800	16.50	13.50	27,000	17,500	3.92	2.78	9.60	C33-38B	EL180UH090E48B	8329229
SL18XP1-030-230A	29,800	16.50	13.50	27,000	17,500	3.92	2.78	9.60	C33-38B	EL180UH090XE48B	8329230
SL18XP1-030-230A	29,800	16.00	13.00	27,200	17,700	3.86	2.74	9.60	C33-38B	EL195UH045XE36B	8329231
SL18XP1-030-230A	30,000	16.00	13.50	27,400	17,700	3.90	2.74	9.60	C33-38B	EL195UH070XE36B	8329232
SL18XP1-030-230A	29,800	16.00	13.00	27,200	17,700	3.86	2.74	9.60	C33-38B	EL296UH045XE36B	8329233
SL18XP1-030-230A	29,600	16.00	13.00	27,200	17,600	3.84	2.72	9.60	C33-38B	EL296UH045XV36B	8329234
SL18XP1-030-230A	30,000	16.00	13.50	27,400	17,700	3.90	2.74	9.60	C33-38B	EL296UH070XE36B	8329235
SL18XP1-030-230A	29,600	16.00	13.50	27,000	17,500	3.86	2.74	9.60	C33-38B	EL296UH070XV36B	8329236
SL18XP1-030-230A	29,600	16.00	13.50	27,000	17,500	3.88	2.74	9.60	C33-38B	SL280UH070V36A	8329237
SL18XP1-030-230A	29,600	16.00	13.50	27,000	17,500	3.88	2.74	9.60	C33-38B	SL280UH070XV36A	8329238
SL18XP1-030-230A	30,000	16.50	13.50	27,000	17,500	3.94	2.80	9.60	C33-38B	SL280UH090V36B	8329239
SL18XP1-030-230A	29,400	16.00	13.50	26,800	17,400	3.84	2.74	9.60	C33-38B	SL280UH090V48B	8329240
SL18XP1-030-230A	29,400	16.00	13.50	26,800	17,400	3.84	2.74	9.60	C33-38B	SL280UH090XV48B	8329241
SL18XP1-030-230A	29,600	16.00	13.50	27,000	17,500	3.86	2.74	9.60	C33-38B	SLP98UH070XV36B	8329242
SL18XP1-030-230A	30,000	14.50	12.00	27,600	17,800	3.60	2.50	8.50	C33-43		8329257
SL18XP1-030-230A	30,000	16.50	13.50	26,800	17,100	3.84	2.70	9.60	C33-43B	EL180UH070E36B	8329243
SL18XP1-030-230A	30,000	16.50	13.50	26,800	17,100	3.84	2.70	9.60	C33-43B	EL180UH070XE36B	8329244
SL18XP1-030-230A	30,000	16.50	13.50	27,000	17,200	3.88	2.72	9.60	C33-43B	EL180UH090E48B	8329245
SL18XP1-030-230A	30,000	16.50	13.50	27,000	17,200	3.88	2.72	9.60	C33-43B	EL180UH090XE48B	8329246
SL18XP1-030-230A	30,000	16.00	13.50	27,200	17,300	3.80	2.64	9.50	C33-43B	EL195UH045XE36B	8329247
SL18XP1-030-230A	30,000	16.00	13.50	27,200	17,400	3.82	2.66	9.50	C33-43B	EL195UH070XE36B	8329248
SL18XP1-030-230A	30,000	16.00	13.50	27,200	17,300	3.80	2.64	9.50	C33-43B	EL296UH045XE36B	8329249
SL18XP1-030-230A	30,000	16.00	13.50	27,000	17,200	3.74	2.62	9.00	C33-43B	EL296UH045XV36B	8329250
SL18XP1-030-230A	30,000	16.00	13.50	27,200	17,400	3.82	2.66	9.50	C33-43B	EL296UH070XE36B	8329251
SL18XP1-030-230A	30,000	16.50	13.50	26,800	17,100	3.76	2.64	9.50	C33-43B	EL296UH070XV36B	8329252
SL18XP1-030-230A	30,000	16.50	13.50	26,800	17,000	3.80	2.66	9.50	C33-43B	SL280UH090V36B	8329253
SL18XP1-030-230A	30,000	16.50	13.50	26,600	17,000	3.74	2.64	9.50	C33-43B	SL280UH090V48B	8329254
SL18XP1-030-230A	30,000	16.50	13.50	26,600	17,000	3.74	2.64	9.50	C33-43B	SL280UH090XV48B	8329255
SL18XP1-030-230A	30,000	16.50	13.50	26,800	17,100	3.76	2.64	9.50	C33-43B	SLP98UH070XV36B	8329256
SL18XP1-030-230A	30,000	16.50	13.50	26,800	17,100	3.82	2.68	9.50	C33-43C	EL195UH090XE48C	8329258
SL18XP1-030-230A	30,000	16.50	14.00	26,800	17,100	3.84	2.70	9.50	C33-43C	EL296UH090XE48C	8329259
SL18XP1-030-230A	30,000	16.50	14.00	26,800	17,000	3.82	2.68	9.50	C33-43C	EL296UH090XV36C	8329260
SL18XP1-030-230A	30,000	16.50	14.00	26,800	17,000	3.82	2.68	9.50	C33-43C	SLP98UH090XV36C	8329261
SL18XP1-030-230A	30,000	16.50	13.50	26,800	17,100	3.82	2.68	9.50	C33-50/60C	EL195UH090XE48C	8329262
SL18XP1-030-230A	30,000	16.50	13.50	26,800	17,100	3.82	2.68	9.50	C33-50/60C	EL296UH090XE48C	8329263
SL18XP1-030-230A	30,000	16.50	13.50	26,800	17,100	3.78	2.68	9.50	C33-50/60C	EL296UH090XV36C	8329264
SL18XP1-030-230A	30,000	16.50	13.50	26,800	17,100	3.78	2.68	9.50	C33-50/60C	SLP98UH090XV36C	8329265
SL18XP1-030-230A	30,000	14.50	12.00	27,400	17,800	3.52	2.50	9.00	C33-50/60C		8329266
SL18XP1-030-230A	29,800	16.50	13.50	26,000	17,200	3.88	2.78	9.60	CBX27UH-030		8331372
SL18XP1-030-230A	29,800	16.50	13.50	26,000	17,100	3.90	2.78	9.60	CBX27UH-036		8331373

**NOTES:**

Ratings are AHRI certified to AHRI Standard 210/240 (with 25 ft. of connecting refrigerant lines);

- Cooling Ratings - 95°F outdoor air temperature and 80 °F db/67° F wb entering indoor coil air.
- High Temperature Heating Ratings - 47° F db/43° F wb outdoor air temperature and 70 °F db entering indoor coil air.
- Low Temperature Heating Ratings - 17 °F db/15° F wb outdoor air temperature and 70 °F db entering indoor coil air.

All ratings include the use of a blower time delay relay (TDR). All Lennox variable-speed Furnaces and Air Handlers have time delay capabilities. Other Furnaces and Air Handlers may require an optional time delay relay (**58M81**) for field installation. See furnace or air handler specifications to determine if relay is needed.

Also see TXV Substitution Table at the beginning of the Heat Pump AHRI System Matches section.

When used with gas furnaces, a dual-fuel control, a control system with dual-fuel capabilities (LZP-2 or LZP-4), or a thermostat with dual-fuel capabilities must be used (order separately).

To convert HSPF from Region IV to Region V - Divide by 1.15.

## AHRI SYSTEM MATCHES

Model No.	Cooling Cap.	SEER	EER	Heat Capacity		Heat COP		HSPF (IV)	Coil or Air Handler	Furnace	AHRI Ref. Number
				High	Low	High	Low				
SL18XP1-030-230A	29,600	15.50	13.00	27,600	18,100	3.80	2.74	9.50	CBX32M-030		8331374
SL18XP1-030-230A	29,400	15.00	12.50	26,400	17,700	3.70	2.66	9.00	CBX32M-036		8331375
SL18XP1-030-230A	29,800	16.00	13.50	27,400	17,800	3.88	2.80	9.60	CBX32MV-024/030		8331376
SL18XP1-030-230A	29,600	15.50	13.00	26,200	17,400	3.78	2.72	9.50	CBX32MV-036		8331377
SL18XP1-030-230A	29,400	15.50	13.00	26,000	17,300	3.74	2.70	9.50	CBX40UHV-024		8331378
SL18XP1-030-230A	29,600	15.50	13.00	26,200	17,400	3.78	2.72	9.50	CBX40UHV-030		8331379
SL18XP1-030-230A	29,600	16.00	13.00	26,200	17,300	3.80	2.72	9.50	CBX40UHV-036		8331380
SL18XP1-030-230A	30,000	16.50	14.00	26,800	16,800	3.84	2.68	9.50	CH33-44/48B	EL180UH070E36B	8329267
SL18XP1-030-230A	30,000	16.50	14.00	26,800	16,800	3.84	2.68	9.50	CH33-44/48B	EL180UH070XE36B	8329268
SL18XP1-030-230A	30,000	17.00	14.00	27,000	16,800	3.90	2.68	9.50	CH33-44/48B	EL180UH090E48B	8329269
SL18XP1-030-230A	30,000	17.00	14.00	27,000	16,800	3.90	2.68	9.50	CH33-44/48B	EL180UH090XE48B	8329270
SL18XP1-030-230A	30,000	16.00	13.50	27,200	17,000	3.82	2.62	9.50	CH33-44/48B	EL195UH045XE36B	8329271
SL18XP1-030-230A	30,000	16.00	13.50	27,400	17,100	3.86	2.64	9.50	CH33-44/48B	EL195UH070XE36B	8329272
SL18XP1-030-230A	30,000	16.00	13.50	27,200	17,000	3.82	2.62	9.50	CH33-44/48B	EL296UH045XE36B	8329273
SL18XP1-030-230A	30,000	16.00	13.50	27,400	17,100	3.86	2.64	9.50	CH33-44/48B	EL296UH070XE36B	8329274
SL18XP1-030-230A	30,000	17.00	14.00	26,800	16,700	3.84	2.66	9.50	CH33-44/48B	SL280UH090V36B	8329275
SL18XP1-030-230A	30,000	16.50	14.00	26,800	16,700	3.80	2.64	9.50	CH33-44/48B	SL280UH090V48B	8329276
SL18XP1-030-230A	30,000	16.50	14.00	26,800	16,700	3.80	2.64	9.50	CH33-44/48B	SL280UH090XV48B	8329277
SL18XP1-030-230A	30,000	15.00	12.50	27,800	17,500	3.64	2.52	9.00	CH33-44/48B		8329278
SL18XP1-030-230A	29,600	16.50	13.50	27,000	18,400	3.90	2.88	9.60	CR33-48B	EL180DF070E36B	8329322
SL18XP1-030-230A	29,400	16.50	13.50	26,800	18,400	3.84	2.86	9.60	CR33-48B	EL180DF090E48B	8329323
SL18XP1-030-230A	29,200	15.50	13.00	27,200	18,600	3.80	2.80	9.60	CR33-48B	EL195DF045XE36B	8329324
SL18XP1-030-230A	29,200	16.00	13.00	27,000	18,600	3.78	2.82	9.60	CR33-48B	EL195DF070XE48B	8331725
SL18XP1-030-230A	29,200	15.50	13.00	27,200	18,600	3.80	2.80	9.60	CR33-48B	EL296DF045XE36B	8329326
SL18XP1-030-230A	29,000	16.00	13.00	26,800	18,400	3.78	2.82	9.60	CR33-48B	EL296DF045XV36B	8329327
SL18XP1-030-230A	29,200	16.00	13.00	27,000	18,600	3.78	2.82	9.60	CR33-48B	EL296DF070XE48B	8329328
SL18XP1-030-230A	29,000	15.50	13.00	27,000	18,500	3.76	2.80	9.60	CR33-48B	EL296DF070XV48B	8329329
SL18XP1-030-230A	29,400	16.00	13.00	27,000	18,400	3.84	2.84	9.60	CR33-48B	SL280DF070V36A	8329330
SL18XP1-030-230A	29,200	16.00	13.00	26,800	18,400	3.80	2.84	9.60	CR33-48B	SL280DF090V48B	8329331
SL18XP1-030-230A	29,000	16.00	13.00	26,800	18,400	3.78	2.82	9.60	CR33-48B	SLP98DF070XV36B	8329332
SL18XP1-030-230A	28,800	14.50	12.00	27,600	19,100	3.64	2.70	9.50	CR33-48B		8329333
SL18XP1-030-230A	28,800	16.00	13.00	26,600	18,200	3.78	2.82	9.60	CR33-48C	SLP98DF090XV36C	8329334
SL18XP1-030-230A	28,800	16.00	13.00	26,600	18,200	3.78	2.82	9.60	CR33-48C	SLP98DF090XV48C	8329335
SL18XP1-030-230A	29,800	16.00	13.50	27,200	17,600	3.86	2.74	9.60	CX34-38A	EL180UH045E36A	8329279
SL18XP1-030-230A	29,800	16.00	13.50	27,200	17,600	3.86	2.74	9.60	CX34-38A	EL180UH045XE36A	8329280
SL18XP1-030-230A	29,800	16.50	13.50	27,000	17,500	3.92	2.78	9.60	CX34-38B	EL180UH070E36B	8329281
SL18XP1-030-230A	29,800	16.50	13.50	27,000	17,500	3.92	2.78	9.60	CX34-38B	EL180UH070XE36B	8329282
SL18XP1-030-230A	29,800	16.50	13.50	27,000	17,500	3.92	2.78	9.60	CX34-38B	EL180UH090E48B	8329283
SL18XP1-030-230A	29,800	16.50	13.50	27,000	17,500	3.92	2.78	9.60	CX34-38B	EL180UH090XE48B	8329284
SL18XP1-030-230A	29,800	16.00	13.00	27,200	17,700	3.86	2.74	9.60	CX34-38B	EL195UH045XE36B	8329285
SL18XP1-030-230A	30,000	16.00	13.50	27,400	17,700	3.90	2.74	9.60	CX34-38B	EL195UH070XE36B	8329286
SL18XP1-030-230A	29,800	16.00	13.00	27,200	17,700	3.86	2.74	9.60	CX34-38B	EL296UH045XE36B	8329287
SL18XP1-030-230A	29,600	16.00	13.00	27,200	17,600	3.84	2.72	9.60	CX34-38B	EL296UH045XV36B	8329288
SL18XP1-030-230A	30,000	16.00	13.50	27,400	17,700	3.90	2.74	9.60	CX34-38B	EL296UH070XE36B	8329289
SL18XP1-030-230A	29,600	16.00	13.50	27,000	17,500	3.86	2.74	9.60	CX34-38B	EL296UH070XV36B	8329290
SL18XP1-030-230A	29,600	16.00	13.50	27,000	17,500	3.88	2.74	9.60	CX34-38B	SL280UH070V36A	8329291
SL18XP1-030-230A	29,600	16.00	13.50	27,000	17,500	3.88	2.74	9.60	CX34-38B	SL280UH070XV36A	8329292

### NOTES:

Ratings are AHRI certified to AHRI Standard 210/240 (with 25 ft. of connecting refrigerant lines);

- Cooling Ratings - 95°F outdoor air temperature and 80 °F db/67° F wb entering indoor coil air.
- High Temperature Heating Ratings - 47° F db/43° F wb outdoor air temperature and 70 °F db entering indoor coil air.
- Low Temperature Heating Ratings - 17 °F db/15° F wb outdoor air temperature and 70 °F db entering indoor coil air.

All ratings include the use of a blower time delay relay (TDR). All Lennox variable-speed Furnaces and Air Handlers have time delay capabilities. Other Furnaces and Air Handlers may require an optional time delay relay (**58M81**) for field installation. See furnace or air handler specifications to determine if relay is needed.

Also see TXV Substitution Table at the beginning of the Heat Pump AHRI System Matches section.

When used with gas furnaces, a dual-fuel control, a control system with dual-fuel capabilities (LZP-2 or LZP-4), or a thermostat with dual-fuel capabilities must be used (order separately).

To convert HSPF from Region IV to Region V - Divide by 1.15.

## AHRI SYSTEM MATCHES

Model No.	Cooling Cap.	SEER	EER	Heat Capacity		Heat COP		HSPF (IV)	Coil or Air Handler	Furnace	AHRI Ref. Number
				High	Low	High	Low				
SL18XP1-030-230A	30,000	16.50	13.50	27,000	17,500	3.94	2.80	9.60	CX34-38B	SL280UH090V36B	8329293
SL18XP1-030-230A	29,400	16.00	13.50	26,800	17,400	3.84	2.74	9.60	CX34-38B	SL280UH090V48B	8329294
SL18XP1-030-230A	29,400	16.00	13.50	26,800	17,400	3.84	2.74	9.60	CX34-38B	SL280UH090XV48B	8329295
SL18XP1-030-230A	29,600	16.00	13.50	27,000	17,500	3.86	2.74	9.60	CX34-38B	SLP98UH070XV36B	8329296
SL18XP1-030-230A	29,200	14.50	12.00	27,600	18,100	3.62	2.58	9.00	CX34-38B		8329297
SL18XP1-030-230A	30,000	16.50	13.50	26,800	17,100	3.84	2.70	9.60	CX34-43B	EL180UH070E36B	8329298
SL18XP1-030-230A	30,000	16.50	13.50	26,800	17,100	3.84	2.70	9.60	CX34-43B	EL180UH070XE36B	8329299
SL18XP1-030-230A	30,000	16.50	13.50	27,000	17,200	3.88	2.72	9.60	CX34-43B	EL180UH090E48B	8329300
SL18XP1-030-230A	30,000	16.50	13.50	27,000	17,200	3.88	2.72	9.60	CX34-43B	EL180UH090XE48B	8329301
SL18XP1-030-230A	30,000	16.00	13.50	27,200	17,300	3.80	2.64	9.50	CX34-43B	EL195UH045XE36B	8329302
SL18XP1-030-230A	30,000	16.00	13.50	27,200	17,400	3.82	2.66	9.50	CX34-43B	EL195UH070XE36B	8329303
SL18XP1-030-230A	30,000	16.00	13.50	27,200	17,300	3.80	2.64	9.50	CX34-43B	EL296UH045XE36B	8329304
SL18XP1-030-230A	30,000	16.00	13.50	27,000	17,200	3.74	2.62	9.00	CX34-43B	EL296UH045XV36B	8329305
SL18XP1-030-230A	30,000	16.00	13.50	27,200	17,400	3.82	2.66	9.50	CX34-43B	EL296UH070XE36B	8329306
SL18XP1-030-230A	30,000	16.50	13.50	26,800	17,100	3.76	2.64	9.50	CX34-43B	EL296UH070XV36B	8329307
SL18XP1-030-230A	30,000	16.50	13.50	26,800	17,000	3.80	2.66	9.50	CX34-43B	SL280UH090V36B	8329308
SL18XP1-030-230A	30,000	16.50	13.50	26,600	17,000	3.74	2.64	9.50	CX34-43B	SL280UH090V48B	8329309
SL18XP1-030-230A	30,000	16.50	13.50	26,600	17,000	3.74	2.64	9.50	CX34-43B	SL280UH090XV48B	8329310
SL18XP1-030-230A	30,000	16.50	13.50	26,800	17,100	3.76	2.64	9.50	CX34-43B	SLP98UH070XV36B	8329311
SL18XP1-030-230A	30,000	14.50	12.00	27,600	17,800	3.60	2.50	8.50	CX34-43B		8329312
SL18XP1-030-230A	30,000	16.50	13.50	26,800	17,100	3.82	2.68	9.50	CX34-43C	EL195UH090XE48C	8329313
SL18XP1-030-230A	30,000	16.50	14.00	26,800	17,100	3.84	2.70	9.50	CX34-43C	EL296UH090XE48C	8329314
SL18XP1-030-230A	30,000	16.50	14.00	26,800	17,000	3.82	2.68	9.50	CX34-43C	EL296UH090XV36C	8329315
SL18XP1-030-230A	30,000	16.50	14.00	26,800	17,000	3.82	2.68	9.50	CX34-43C	SLP98UH090XV36C	8329316
SL18XP1-030-230A	30,000	16.50	13.50	26,800	17,100	3.82	2.68	9.50	CX34-50/60C	EL195UH090XE48C	8329317
SL18XP1-030-230A	30,000	16.50	13.50	26,800	17,100	3.82	2.68	9.50	CX34-50/60C	EL296UH090XE48C	8329318
SL18XP1-030-230A	30,000	16.50	13.50	26,800	17,100	3.78	2.68	9.50	CX34-50/60C	EL296UH090XV36C	8329319
SL18XP1-030-230A	30,000	16.50	13.50	26,800	17,100	3.78	2.68	9.50	CX34-50/60C	SLP98UH090XV36C	8329320
SL18XP1-030-230A	30,000	14.50	12.00	27,400	17,800	3.52	2.50	9.00	CX34-50/60C		8329321
SL18XP1-036-230A	36,000	16.00	13.00	32,800	21,400	3.56	2.54	8.50	C33-43B	EL180UH070E36B	8329338
SL18XP1-036-230A	36,000	15.50	13.00	32,800	21,400	3.56	2.54	8.50	C33-43B	EL180UH070XE36B	8329339
SL18XP1-036-230A	36,000	15.50	13.00	33,400	21,800	3.62	2.56	9.00	C33-43B	EL180UH090E48B	8329340
SL18XP1-036-230A	36,000	15.50	13.00	33,400	21,800	3.62	2.56	9.00	C33-43B	EL180UH090XE48B	8329341
SL18XP1-036-230A	36,000	14.50	12.50	33,600	22,200	3.46	2.48	8.50	C33-43B	EL195UH045XE36B	8329342
SL18XP1-036-230A	36,000	15.00	12.50	33,600	22,000	3.50	2.48	8.50	C33-43B	EL195UH070XE36B	8329343
SL18XP1-036-230A	36,000	14.50	12.50	33,600	22,200	3.46	2.48	8.50	C33-43B	EL296UH045XE36B	8329344
SL18XP1-036-230A	36,000	15.10	13.00	33,400	21,800	3.56	2.52	8.50	C33-43B	EL296UH045XV36B	8329345
SL18XP1-036-230A	36,000	15.00	12.50	33,600	22,000	3.50	2.48	8.50	C33-43B	EL296UH070XE36B	8329346
SL18XP1-036-230A	36,000	16.00	13.50	32,800	21,600	3.58	2.58	9.00	C33-43B	SL280UH090V36B	8329347
SL18XP1-036-230A	36,000	16.00	13.00	33,000	21,600	3.62	2.56	9.00	C33-43B	SL280UH090V48B	8329348
SL18XP1-036-230A	36,000	16.00	13.00	33,000	21,600	3.62	2.56	9.00	C33-43B	SL280UH090XV48B	8329349
SL18XP1-036-230A	36,000	15.50	13.00	33,400	22,000	3.56	2.54	8.50	C33-43B	SLP98UH070XV36B	8329350
SL18XP1-036-230A	36,000	14.50	12.00	33,800	22,400	3.46	2.48	8.50	C33-43B		8329337
SL18XP1-036-230A	36,000	16.00	13.50	33,000	21,600	3.64	2.58	9.00	C33-43C	EL180UH090E60C	8329352
SL18XP1-036-230A	36,000	16.00	13.50	33,000	21,600	3.62	2.58	9.00	C33-43C	EL180UH110E60C	8329353
SL18XP1-036-230A	36,000	16.00	13.50	33,000	21,600	3.62	2.58	9.00	C33-43C	EL180UH110XE60C	8329354
SL18XP1-036-230A	36,000	15.50	13.00	33,200	21,600	3.62	2.56	9.00	C33-43C	EL195UH090XE48C	8329355

**NOTES:**

Ratings are AHRI certified to AHRI Standard 210/240 (with 25 ft. of connecting refrigerant lines);

- Cooling Ratings - 95°F outdoor air temperature and 80 °F db/67° F wb entering indoor coil air.
- High Temperature Heating Ratings - 47° F db/43° F wb outdoor air temperature and 70 °F db entering indoor coil air.
- Low Temperature Heating Ratings - 17 °F db/15° F wb outdoor air temperature and 70 °F db entering indoor coil air.

All ratings include the use of a blower time delay relay (TDR). All Lennox variable-speed Furnaces and Air Handlers have time delay capabilities. Other Furnaces and Air Handlers may require an optional time delay relay (**58M81**) for field installation. See furnace or air handler specifications to determine if relay is needed.

Also see TXV Substitution Table at the beginning of the Heat Pump AHRI System Matches section.

When used with gas furnaces, a dual-fuel control, a control system with dual-fuel capabilities (LZP-2 or LZP-4), or a thermostat with dual-fuel capabilities must be used (order separately).

To convert HSPF from Region IV to Region V - Divide by 1.15.

## AHRI SYSTEM MATCHES

Model No.	Cooling Cap.	SEER	EER	Heat Capacity		Heat COP		HSPF (IV)	Coil or Air Handler	Furnace	AHRI Ref. Number
				High	Low	High	Low				
SL18XP1-036-230A	36,000	16.00	13.50	33,200	21,800	3.66	2.60	9.00	C33-43C	EL195UH110XE60C	8329356
SL18XP1-036-230A	36,000	15.50	13.00	33,200	21,600	3.62	2.56	9.00	C33-43C	EL296UH090XE48C	8329357
SL18XP1-036-230A	36,000	15.50	13.00	33,200	21,600	3.62	2.56	9.00	C33-43C	EL296UH090XV36C	8329351
SL18XP1-036-230A	36,000	16.00	13.00	33,000	21,600	3.60	2.56	9.00	C33-43C	EL296UH090XV48C	8329358
SL18XP1-036-230A	36,000	16.00	13.50	33,200	21,800	3.66	2.60	9.00	C33-43C	EL296UH110XE60C	8329359
SL18XP1-036-230A	36,000	16.00	13.50	33,200	21,800	3.66	2.60	9.00	C33-43C	EL296UH110XV48C	8329360
SL18XP1-036-230A	36,000	16.00	13.50	33,200	21,800	3.68	2.60	9.00	C33-43C	EL296UH110XV60C	8329361
SL18XP1-036-230A	36,000	16.00	13.50	33,200	21,800	3.68	2.60	9.00	C33-43C	SL280UH090V60C	8329362
SL18XP1-036-230A	36,000	16.00	13.50	33,200	21,800	3.68	2.60	9.00	C33-43C	SL280UH090XV60C	8329363
SL18XP1-036-230A	36,000	15.50	13.00	33,200	21,800	3.64	2.58	9.00	C33-43C	SL280UH110V60C	8329364
SL18XP1-036-230A	36,000	15.50	13.00	33,200	21,800	3.64	2.58	9.00	C33-43C	SL280UH110XV60C	8329365
SL18XP1-036-230A	36,000	15.50	13.00	33,000	21,600	3.60	2.56	9.00	C33-43C	SLP98UH090XV36C	8329366
SL18XP1-036-230A	36,000	16.00	13.50	33,000	21,600	3.60	2.58	9.00	C33-43C	SLP98UH090XV48C	8329367
SL18XP1-036-230A	36,000	15.50	13.00	33,400	21,800	3.66	2.58	9.00	C33-43C	SLP98UH090XV60C	8329368
SL18XP1-036-230A	36,000	16.00	13.50	33,200	21,800	3.68	2.60	9.00	C33-43C	SLP98UH110XV60C	8329369
SL18XP1-036-230A	36,000	16.00	13.00	33,800	22,400	3.46	2.54	8.50	C33-49C	EL180UH090E60C	8329528
SL18XP1-036-230A	36,000	15.50	13.00	33,600	22,200	3.42	2.52	8.50	C33-49C	EL180UH110E60C	8329529
SL18XP1-036-230A	36,000	15.50	13.00	33,600	22,200	3.42	2.52	8.50	C33-49C	EL180UH110XE60C	8329530
SL18XP1-036-230A	36,000	16.00	13.00	33,800	22,400	3.46	2.54	8.50	C33-49C	EL195UH090XE48C	8329531
SL18XP1-036-230A	36,000	16.00	13.50	34,000	22,400	3.52	2.56	9.00	C33-49C	EL195UH110XE60C	8329532
SL18XP1-036-230A	36,000	16.00	13.00	33,800	22,400	3.46	2.54	8.50	C33-49C	EL296UH090XE48C	8329533
SL18XP1-036-230A	36,000	15.50	13.00	33,800	22,400	3.46	2.54	8.50	C33-49C	EL296UH090XV36C	8329534
SL18XP1-036-230A	36,000	16.00	13.00	33,600	22,200	3.44	2.52	8.50	C33-49C	EL296UH090XV48C	8329535
SL18XP1-036-230A	36,000	16.00	13.50	34,000	22,400	3.52	2.56	9.00	C33-49C	EL296UH110XE60C	8329536
SL18XP1-036-230A	36,000	16.00	13.50	34,000	22,400	3.54	2.56	9.00	C33-49C	EL296UH110XV60C	8329537
SL18XP1-036-230A	36,000	16.00	13.50	34,000	22,400	3.56	2.58	9.00	C33-49C	SL280UH090V60C	8329538
SL18XP1-036-230A	36,000	16.00	13.50	34,000	22,400	3.56	2.58	9.00	C33-49C	SL280UH090XV60C	8329539
SL18XP1-036-230A	36,000	15.50	13.00	34,000	22,400	3.50	2.54	9.00	C33-49C	SL280UH110V60C	8329540
SL18XP1-036-230A	36,000	15.50	13.00	34,000	22,400	3.50	2.54	9.00	C33-49C	SL280UH110XV60C	8329541
SL18XP1-036-230A	36,000	15.50	13.00	33,800	22,400	3.46	2.54	8.50	C33-49C	SLP98UH090XV36C	8329542
SL18XP1-036-230A	36,000	16.00	13.00	33,600	22,200	3.44	2.52	8.50	C33-49C	SLP98UH090XV48C	8329543
SL18XP1-036-230A	36,000	15.50	13.00	34,200	22,600	3.54	2.56	9.00	C33-49C	SLP98UH090XV60C	8329544
SL18XP1-036-230A	36,000	16.00	13.50	34,000	22,400	3.54	2.56	9.00	C33-49C	SLP98UH110XV60C	8329545
SL18XP1-036-230A	36,000	14.50	12.00	34,000	22,600	3.42	2.48	8.50	C33-49C		8329546
SL18XP1-036-230A	36,000	15.50	13.00	33,200	21,600	3.62	2.56	9.00	C33-50/60C	EL180UH090E60C	8329370
SL18XP1-036-230A	36,000	15.50	13.00	32,800	21,600	3.54	2.56	8.50	C33-50/60C	EL180UH110E60C	8329371
SL18XP1-036-230A	36,000	15.50	13.00	32,800	21,600	3.54	2.56	8.50	C33-50/60C	EL180UH110XE60C	8329372
SL18XP1-036-230A	36,000	15.50	13.00	33,200	21,600	3.62	2.56	9.00	C33-50/60C	EL195UH090XE48C	8329373
SL18XP1-036-230A	36,000	16.00	13.00	33,200	21,800	3.64	2.60	9.00	C33-50/60C	EL195UH110XE60C	8329374
SL18XP1-036-230A	36,000	15.50	13.00	33,200	21,600	3.62	2.56	9.00	C33-50/60C	EL296UH090XE48C	8329375
SL18XP1-036-230A	36,000	15.50	13.00	33,200	21,600	3.62	2.56	9.00	C33-50/60C	EL296UH090XV36C	8329376
SL18XP1-036-230A	36,000	16.00	13.00	33,000	21,600	3.60	2.58	9.00	C33-50/60C	EL296UH090XV48C	8329377
SL18XP1-036-230A	36,000	16.00	13.00	33,200	21,800	3.64	2.60	9.00	C33-50/60C	EL296UH110XE60C	8329378
SL18XP1-036-230A	36,000	16.00	13.00	33,200	21,800	3.66	2.60	9.00	C33-50/60C	EL296UH110XV48C	8329379
SL18XP1-036-230A	36,000	16.00	13.00	33,200	21,800	3.66	2.60	9.00	C33-50/60C	EL296UH110XV60C	8329380
SL18XP1-036-230A	36,000	16.00	13.50	33,200	21,800	3.68	2.62	9.00	C33-50/60C	SL280UH090V60C	8329381
SL18XP1-036-230A	36,000	16.00	13.50	33,200	21,800	3.68	2.62	9.00	C33-50/60C	SL280UH090XV60C	8329382

**NOTES:**

Ratings are AHRI certified to AHRI Standard 210/240 (with 25 ft. of connecting refrigerant lines);

- Cooling Ratings - 95°F outdoor air temperature and 80 °F db/67° F wb entering indoor coil air.
- High Temperature Heating Ratings - 47° F db/43° F wb outdoor air temperature and 70 °F db entering indoor coil air.
- Low Temperature Heating Ratings - 17 °F db/15° F wb outdoor air temperature and 70 °F db entering indoor coil air.

All ratings include the use of a blower time delay relay (TDR). All Lennox variable-speed Furnaces and Air Handlers have time delay capabilities. Other Furnaces and Air Handlers may require an optional time delay relay (**58M81**) for field installation. See furnace or air handler specifications to determine if relay is needed.

Also see TXV Substitution Table at the beginning of the Heat Pump AHRI System Matches section.

When used with gas furnaces, a dual-fuel control, a control system with dual-fuel capabilities (LZP-2 or LZP-4), or a thermostat with dual-fuel capabilities must be used (order separately).

To convert HSPF from Region IV to Region V - Divide by 1.15.

## AHRI SYSTEM MATCHES

Model No.	Cooling Cap.	SEER	EER	Heat Capacity		Heat COP		HSPF (IV)	Coil or Air Handler	Furnace	AHRI Ref. Number
				High	Low	High	Low				
SL18XP1-036-230A	36,000	15.50	13.00	33,200	21,800	3.64	2.58	9.00	C33-50/60C	SL280UH110V60C	8329383
SL18XP1-036-230A	36,000	15.50	13.00	33,200	21,800	3.64	2.58	9.00	C33-50/60C	SL280UH110XV60C	8329384
SL18XP1-036-230A	36,000	15.50	13.00	33,200	21,600	3.62	2.56	9.00	C33-50/60C	SLP98UH090XV36C	8329385
SL18XP1-036-230A	36,000	16.00	13.00	33,000	21,600	3.60	2.58	9.00	C33-50/60C	SLP98UH090XV48C	8329386
SL18XP1-036-230A	36,000	15.50	13.00	33,400	22,000	3.66	2.60	9.00	C33-50/60C	SLP98UH090XV60C	8329387
SL18XP1-036-230A	36,000	16.00	13.00	33,200	21,800	3.66	2.60	9.00	C33-50/60C	SLP98UH110XV60C	8329388
SL18XP1-036-230A	36,000	14.50	12.00	33,800	22,400	3.46	2.48	8.50	C33-50/60C		8329389
SL18XP1-036-230A	35,600	15.50	13.00	33,400	22,200	3.68	2.68	9.50	CBX27UH-036		8331381
SL18XP1-036-230A	36,000	16.00	13.50	33,200	21,600	3.78	2.68	9.00	CBX27UH-042		8331382
SL18XP1-036-230A	35,200	14.50	12.00	34,000	22,600	3.54	2.56	9.00	CBX32M-036		8331383
SL18XP1-036-230A	35,200	14.50	12.00	34,000	22,600	3.54	2.56	9.00	CBX32M-042		8331384
SL18XP1-036-230A	36,000	14.50	12.50	33,800	22,200	3.60	2.56	8.50	CBX32M-048		8331385
SL18XP1-036-230A	35,600	15.00	12.50	34,000	22,600	3.64	2.62	9.00	CBX32MV-036		8331386
SL18XP1-036-230A	36,000	16.00	13.50	33,200	21,600	3.78	2.68	9.00	CBX32MV-048		8331387
SL18XP1-036-230A	36,000	15.50	12.50	33,600	22,400	3.66	2.66	9.50	CBX40UHV-036		8331388
SL18XP1-036-230A	36,000	15.50	13.00	33,400	22,000	3.66	2.62	9.00	CBX40UHV-042		8331389
SL18XP1-036-230A	36,000	15.50	13.50	33,400	21,800	3.72	2.64	9.00	CBX40UHV-048		8331390
SL18XP1-036-230A	36,000	15.50	13.00	33,000	21,800	3.54	2.58	8.50	CH33-43B	EL180UH070E36B	8329514
SL18XP1-036-230A	36,000	15.50	13.00	33,000	21,800	3.54	2.58	8.50	CH33-43B	EL180UH070XE36B	8329515
SL18XP1-036-230A	36,000	15.50	13.00	33,200	22,000	3.58	2.60	9.00	CH33-43B	EL180UH090XE48B	8329516
SL18XP1-036-230A	36,000	14.50	12.50	33,800	22,400	3.48	2.50	8.50	CH33-43B	EL195UH045XE36B	8329517
SL18XP1-036-230A	36,000	15.00	12.50	33,600	22,400	3.48	2.52	8.50	CH33-43B	EL195UH070XE36B	8329518
SL18XP1-036-230A	36,000	14.50	12.50	33,800	22,400	3.48	2.50	8.50	CH33-43B	EL296UH045XE36B	8329519
SL18XP1-036-230A	36,000	15.00	12.50	33,600	22,200	3.52	2.52	8.50	CH33-43B	EL296UH045XV36B	8329520
SL18XP1-036-230A	36,000	15.00	12.50	33,600	22,400	3.48	2.52	8.50	CH33-43B	EL296UH070XE36B	8329521
SL18XP1-036-230A	36,000	15.50	12.50	33,200	22,000	3.50	2.54	8.50	CH33-43B	EL296UH070XV36B	8329522
SL18XP1-036-230A	36,000	16.00	13.00	33,000	21,800	3.58	2.60	8.50	CH33-43B	SL280UH090V36B	8329523
SL18XP1-036-230A	36,000	16.00	13.00	33,200	22,000	3.62	2.62	9.00	CH33-43B	SL280UH090V48B	8329524
SL18XP1-036-230A	36,000	16.00	13.00	33,200	22,000	3.62	2.62	9.00	CH33-43B	SL280UH090XV48B	8329525
SL18XP1-036-230A	36,000	15.50	12.50	33,200	22,000	3.50	2.54	8.50	CH33-43B	SLP98UH070XV36B	8329526
SL18XP1-036-230A	36,000	14.50	12.00	34,000	22,600	3.46	2.50	8.50	CH33-43B		8329527
SL18XP1-036-230A	36,000	16.00	13.00	32,800	21,800	3.68	2.62	9.00	CH33-49	EL180UH090E60C	8329390
SL18XP1-036-230A	36,000	16.00	13.00	32,600	21,600	3.64	2.60	9.00	CH33-49	EL180UH110E60C	8329391
SL18XP1-036-230A	36,000	16.00	13.00	32,600	21,600	3.64	2.60	9.00	CH33-49	EL180UH110XE60C	8329392
SL18XP1-036-230A	36,000	15.50	13.00	32,800	21,800	3.62	2.60	8.50	CH33-49	EL195UH090XE48C	8329393
SL18XP1-036-230A	36,000	16.00	13.00	32,800	21,800	3.66	2.62	9.00	CH33-49	EL195UH110XE60C	8329394
SL18XP1-036-230A	36,000	15.50	13.00	32,800	21,800	3.62	2.60	8.50	CH33-49	EL296UH090XE48C	8329395
SL18XP1-036-230A	36,000	15.50	13.00	32,800	21,800	3.62	2.60	9.00	CH33-49	EL296UH090XV36C	8329396
SL18XP1-036-230A	36,000	16.00	13.00	32,600	21,800	3.62	2.62	8.50	CH33-49	EL296UH090XV48C	8329397
SL18XP1-036-230A	36,000	16.00	13.00	32,800	21,800	3.66	2.62	9.00	CH33-49	EL296UH110XE60C	8329398
SL18XP1-036-230A	36,000	16.00	13.00	32,800	21,800	3.66	2.62	9.00	CH33-49	EL296UH110XV48C	8329399
SL18XP1-036-230A	36,000	16.00	13.00	32,800	21,800	3.66	2.62	9.00	CH33-49	EL296UH110XV60C	8329400
SL18XP1-036-230A	36,000	16.00	13.00	32,800	22,000	3.68	2.66	9.00	CH33-49	SL280UH090V60C	8329401
SL18XP1-036-230A	36,000	16.00	13.00	32,800	22,000	3.68	2.66	9.00	CH33-49	SL280UH090XV60C	8329402
SL18XP1-036-230A	36,000	15.50	13.00	32,800	22,000	3.64	2.62	9.00	CH33-49	SL280UH110V60C	8329403
SL18XP1-036-230A	36,000	15.50	13.00	32,800	22,000	3.64	2.62	9.00	CH33-49	SL280UH110XV60C	8329404
SL18XP1-036-230A	36,000	15.50	13.00	32,800	21,800	3.64	2.60	9.00	CH33-49	SLP98UH090XV36C	8329405

**NOTES:**

Ratings are AHRI certified to AHRI Standard 210/240 (with 25 ft. of connecting refrigerant lines);

- Cooling Ratings - 95°F outdoor air temperature and 80 °F db/67° F wb entering indoor coil air.
- High Temperature Heating Ratings - 47° F db/43° F wb outdoor air temperature and 70 °F db entering indoor coil air.
- Low Temperature Heating Ratings - 17 °F db/15° F wb outdoor air temperature and 70 °F db entering indoor coil air.

All ratings include the use of a blower time delay relay (TDR). All Lennox variable-speed Furnaces and Air Handlers have time delay capabilities. Other Furnaces and Air Handlers may require an optional time delay relay (**58M81**) for field installation. See furnace or air handler specifications to determine if relay is needed.

Also see TXV Substitution Table at the beginning of the Heat Pump AHRI System Matches section.

When used with gas furnaces, a dual-fuel control, a control system with dual-fuel capabilities (LZP-2 or LZP-4), or a thermostat with dual-fuel capabilities must be used (order separately).

To convert HSPF from Region IV to Region V - Divide by 1.15.

## AHRI SYSTEM MATCHES

Model No.	Cooling Cap.	SEER	EER	Heat Capacity		Heat COP		HSPF (IV)	Coil or Air Handler	Furnace	AHRI Ref. Number
				High	Low	High	Low				
SL18XP1-036-230A	36,000	16.00	13.00	32,600	21,800	3.62	2.62	8.50	CH33-49	SLP98UH090XV48C	8329406
SL18XP1-036-230A	36,000	15.50	13.00	33,000	22,000	3.66	2.62	9.00	CH33-49	SLP98UH090XV60C	8329407
SL18XP1-036-230A	36,000	16.00	13.00	32,800	21,800	3.68	2.62	9.00	CH33-49	SLP98UH110XV60C	8329408
SL18XP1-036-230A	36,000	14.50	12.00	33,200	22,400	3.40	2.46	8.50	CH33-49		8329409
SL18XP1-036-230A	36,000	15.50	13.00	32,600	21,800	3.58	2.60	8.50	CH33-50/60C	EL180UH090E60C	8329410
SL18XP1-036-230A	36,000	15.50	13.00	32,400	21,600	3.54	2.56	8.50	CH33-50/60C	EL180UH110E60C	8329411
SL18XP1-036-230A	36,000	15.50	13.00	32,400	21,600	3.54	2.56	8.50	CH33-50/60C	EL180UH110XE60C	8329412
SL18XP1-036-230A	36,000	15.50	12.50	32,600	21,800	3.54	2.56	8.50	CH33-50/60C	EL195UH090XE48C	8329413
SL18XP1-036-230A	36,000	15.50	13.00	32,800	21,800	3.60	2.58	8.50	CH33-50/60C	EL195UH110XE60C	8329414
SL18XP1-036-230A	36,000	15.50	12.50	32,600	21,800	3.54	2.56	8.50	CH33-50/60C	EL296UH090XE48C	8329415
SL18XP1-036-230A	36,000	15.50	13.00	32,600	21,800	3.58	2.60	8.50	CH33-50/60C	EL296UH090XV36C	8329416
SL18XP1-036-230A	36,000	15.50	13.00	32,400	21,800	3.58	2.60	9.00	CH33-50/60C	EL296UH090XV48C	8329417
SL18XP1-036-230A	36,000	15.50	13.00	32,800	21,800	3.60	2.58	8.50	CH33-50/60C	EL296UH110XE60C	8329418
SL18XP1-036-230A	36,000	15.50	13.00	32,800	21,800	3.64	2.60	9.00	CH33-50/60C	EL296UH110XV48C	8329419
SL18XP1-036-230A	36,000	16.00	13.00	32,800	21,800	3.66	2.62	9.00	CH33-50/60C	EL296UH110XV60C	8329420
SL18XP1-036-230A	36,000	16.00	13.00	32,800	21,800	3.66	2.62	9.00	CH33-50/60C	SL280UH090V60C	8329421
SL18XP1-036-230A	36,000	16.00	13.00	32,800	21,800	3.66	2.62	9.00	CH33-50/60C	SL280UH090XV60C	8329422
SL18XP1-036-230A	36,000	15.50	13.00	32,800	22,000	3.62	2.62	9.00	CH33-50/60C	SL280UH110V60C	8329423
SL18XP1-036-230A	36,000	15.50	13.00	32,800	22,000	3.62	2.62	9.00	CH33-50/60C	SL280UH110XV60C	8329424
SL18XP1-036-230A	36,000	15.50	13.00	32,600	21,800	3.58	2.60	8.50	CH33-50/60C	SLP98UH090XV36C	8329425
SL18XP1-036-230A	36,000	15.50	13.00	32,400	21,800	3.58	2.60	9.00	CH33-50/60C	SLP98UH090XV48C	8329426
SL18XP1-036-230A	36,000	15.50	13.00	33,000	22,000	3.64	2.60	9.00	CH33-50/60C	SLP98UH090XV60C	8329427
SL18XP1-036-230A	36,000	16.00	13.00	32,800	21,800	3.66	2.62	9.00	CH33-50/60C	SLP98UH110XV60C	8329428
SL18XP1-036-230A	36,000	14.50	12.00	33,400	22,400	3.44	2.48	8.50	CH33-50/60C		8329429
SL18XP1-036-230A	36,000	16.00	13.50	33,200	22,000	3.82	2.72	9.00	CR33-50/60	EL180DF110E60C	8329430
SL18XP1-036-230A	36,000	15.50	13.00	33,200	22,000	3.76	2.68	9.00	CR33-50/60	EL195DF090XE48C	8329431
SL18XP1-036-230A	36,000	15.50	13.00	33,200	22,000	3.78	2.70	9.00	CR33-50/60	EL195DF110XE60C	8329432
SL18XP1-036-230A	36,000	15.50	13.00	33,200	22,000	3.76	2.68	9.00	CR33-50/60	EL296DF090XE48C	8329433
SL18XP1-036-230A	36,000	15.50	13.00	33,200	22,000	3.76	2.68	9.00	CR33-50/60	EL296DF090XV60C	8329434
SL18XP1-036-230A	36,000	15.50	13.00	33,200	22,000	3.78	2.70	9.00	CR33-50/60	EL296DF110XE60C	8329435
SL18XP1-036-230A	36,000	16.00	13.50	33,000	22,000	3.78	2.74	9.00	CR33-50/60	SL280DF110V60C	8329436
SL18XP1-036-230A	36,000	15.50	13.00	33,000	22,000	3.70	2.68	9.00	CR33-50/60	SLP98DF090XV36C	8329437
SL18XP1-036-230A	36,000	15.50	13.00	33,200	22,000	3.76	2.70	9.00	CR33-50/60	SLP98DF090XV48C	8329438
SL18XP1-036-230A	36,000	15.50	13.00	33,200	22,000	3.76	2.68	9.00	CR33-50/60	SLP98DF090XV60C	8329439
SL18XP1-036-230A	36,000	15.50	13.00	33,400	22,200	3.78	2.72	9.00	CR33-50/60	SLP98DF110XV60C	8329440
SL18XP1-036-230A	36,000	14.50	12.00	33,800	22,600	3.54	2.54	8.50	CR33-50/60		8329441
SL18XP1-036-230A	36,000	16.00	13.00	32,800	21,400	3.56	2.54	8.50	CX34-43B	EL180UH070E36B	8329443
SL18XP1-036-230A	36,000	15.50	13.00	32,800	21,400	3.56	2.54	8.50	CX34-43B	EL180UH070XE36B	8329444
SL18XP1-036-230A	36,000	15.50	13.00	33,400	21,800	3.62	2.56	9.00	CX34-43B	EL180UH090E48B	8329445
SL18XP1-036-230A	36,000	15.50	13.00	33,400	21,800	3.62	2.56	9.00	CX34-43B	EL180UH090XE48B	8329446
SL18XP1-036-230A	36,000	14.50	12.50	33,600	22,200	3.46	2.48	8.50	CX34-43B	EL195UH045XE36B	8329447
SL18XP1-036-230A	36,000	15.00	12.50	33,600	22,000	3.50	2.48	8.50	CX34-43B	EL195UH070XE36B	8329448
SL18XP1-036-230A	36,000	14.50	12.50	33,600	22,200	3.46	2.48	8.50	CX34-43B	EL296UH045XE36B	8329449
SL18XP1-036-230A	36,000	15.10	13.00	33,400	21,800	3.56	2.52	8.50	CX34-43B	EL296UH045XV36B	8329450
SL18XP1-036-230A	36,000	15.00	12.50	33,600	22,000	3.50	2.48	8.50	CX34-43B	EL296UH070XE36B	8329451
SL18XP1-036-230A	36,000	15.50	13.00	33,400	22,000	3.56	2.54	8.50	CX34-43B	EL296UH070XV36B	8657051
SL18XP1-036-230A	36,000	16.00	13.50	32,800	21,600	3.58	2.58	9.00	CX34-43B	SL280UH090V36B	8329452

**NOTES:**

Ratings are AHRI certified to AHRI Standard 210/240 (with 25 ft. of connecting refrigerant lines);

- Cooling Ratings - 95°F outdoor air temperature and 80 °F db/67° F wb entering indoor coil air.
- High Temperature Heating Ratings - 47° F db/43° F wb outdoor air temperature and 70 °F db entering indoor coil air.
- Low Temperature Heating Ratings - 17 °F db/15° F wb outdoor air temperature and 70 °F db entering indoor coil air.

All ratings include the use of a blower time delay relay (TDR). All Lennox variable-speed Furnaces and Air Handlers have time delay capabilities. Other Furnaces and Air Handlers may require an optional time delay relay (**58M81**) for field installation. See furnace or air handler specifications to determine if relay is needed.

Also see TXV Substitution Table at the beginning of the Heat Pump AHRI System Matches section.

When used with gas furnaces, a dual-fuel control, a control system with dual-fuel capabilities (LZP-2 or LZP-4), or a thermostat with dual-fuel capabilities must be used (order separately).

To convert HSPF from Region IV to Region V - Divide by 1.15.

## AHRI SYSTEM MATCHES

Model No.	Cooling Cap.	SEER	EER	Heat Capacity		Heat COP		HSPF (IV)	Coil or Air Handler	Furnace	AHRI Ref. Number
				High	Low	High	Low				
SL18XP1-036-230A	36,000	16.00	13.00	33,000	21,600	3.62	2.56	9.00	CX34-43B	SL280UH090V48B	8329453
SL18XP1-036-230A	36,000	16.00	13.00	33,000	21,600	3.62	2.56	9.00	CX34-43B	SL280UH090XV48B	8329454
SL18XP1-036-230A	36,000	15.50	13.00	33,400	22,000	3.56	2.54	8.50	CX34-43B	SLP98UH070XV36B	8329455
SL18XP1-036-230A	36,000	14.50	12.00	33,800	22,400	3.46	2.48	8.50	CX34-43B		8329442
SL18XP1-036-230A	36,000	16.00	13.50	33,000	21,600	3.64	2.58	9.00	CX34-43C	EL180UH090E60C	8329456
SL18XP1-036-230A	36,000	16.00	13.50	33,000	21,600	3.62	2.58	9.00	CX34-43C	EL180UH110E60C	8329457
SL18XP1-036-230A	36,000	16.00	13.50	33,000	21,600	3.62	2.58	9.00	CX34-43C	EL180UH110XE60C	8329458
SL18XP1-036-230A	36,000	15.50	13.00	33,200	21,600	3.62	2.56	9.00	CX34-43C	EL195UH090XE48C	8329459
SL18XP1-036-230A	36,000	16.00	13.50	33,200	21,800	3.66	2.60	9.00	CX34-43C	EL195UH110XE60C	8329460
SL18XP1-036-230A	36,000	15.50	13.00	33,200	21,600	3.62	2.56	9.00	CX34-43C	EL296UH090XE48C	8329461
SL18XP1-036-230A	36,000	15.50	13.00	33,200	21,600	3.62	2.56	9.00	CX34-43C	EL296UH090XV36C	8329462
SL18XP1-036-230A	36,000	16.00	13.00	33,000	21,600	3.60	2.56	9.00	CX34-43C	EL296UH090XV48C	8329463
SL18XP1-036-230A	36,000	16.00	13.50	33,200	21,800	3.66	2.60	9.00	CX34-43C	EL296UH110XE60C	8329464
SL18XP1-036-230A	36,000	16.00	13.50	33,200	21,800	3.66	2.60	9.00	CX34-43C	EL296UH110XV48C	8329465
SL18XP1-036-230A	36,000	16.00	13.50	33,200	21,800	3.68	2.60	9.00	CX34-43C	EL296UH110XV60C	8329466
SL18XP1-036-230A	36,000	16.00	13.50	33,200	21,800	3.68	2.60	9.00	CX34-43C	SL280UH090V60C	8329467
SL18XP1-036-230A	36,000	16.00	13.50	33,200	21,800	3.68	2.60	9.00	CX34-43C	SL280UH090XV60C	8329468
SL18XP1-036-230A	36,000	15.50	13.00	33,200	21,800	3.64	2.58	9.00	CX34-43C	SL280UH110V60C	8329469
SL18XP1-036-230A	36,000	15.50	13.00	33,200	21,800	3.64	2.58	9.00	CX34-43C	SL280UH110XV60C	8329470
SL18XP1-036-230A	36,000	15.50	13.00	33,000	21,600	3.60	2.56	9.00	CX34-43C	SLP98UH090XV36C	8329471
SL18XP1-036-230A	36,000	16.00	13.50	33,000	21,600	3.60	2.58	9.00	CX34-43C	SLP98UH090XV48C	8329472
SL18XP1-036-230A	36,000	15.50	13.00	33,400	21,800	3.66	2.58	9.00	CX34-43C	SLP98UH090XV60C	8329473
SL18XP1-036-230A	36,000	16.00	13.50	33,200	21,800	3.68	2.60	9.00	CX34-43C	SLP98UH110XV60C	8329474
SL18XP1-036-230A	36,000	16.00	13.00	33,800	22,400	3.46	2.54	8.50	CX34-49	EL180UH090E60C	8329475
SL18XP1-036-230A	36,000	15.50	13.00	33,600	22,200	3.42	2.52	8.50	CX34-49	EL180UH110E60C	8329476
SL18XP1-036-230A	36,000	15.50	13.00	33,600	22,200	3.42	2.52	8.50	CX34-49	EL180UH110XE60C	8329477
SL18XP1-036-230A	36,000	16.00	13.00	33,800	22,400	3.46	2.54	8.50	CX34-49	EL195UH090XE48C	8329478
SL18XP1-036-230A	36,000	16.00	13.50	34,000	22,400	3.52	2.56	9.00	CX34-49	EL195UH110XE60C	8329479
SL18XP1-036-230A	36,000	16.00	13.00	33,800	22,400	3.46	2.54	8.50	CX34-49	EL296UH090XE48C	8329480
SL18XP1-036-230A	36,000	15.50	13.00	33,800	22,400	3.46	2.54	8.50	CX34-49	EL296UH090XV36C	8329481
SL18XP1-036-230A	36,000	16.00	13.00	33,600	22,200	3.44	2.52	8.50	CX34-49	EL296UH090XV48C	8329482
SL18XP1-036-230A	36,000	16.00	13.50	34,000	22,400	3.52	2.56	9.00	CX34-49	EL296UH110XE60C	8329483
SL18XP1-036-230A	36,000	16.00	13.50	34,000	22,400	3.54	2.56	9.00	CX34-49	EL296UH110XV60C	8329484
SL18XP1-036-230A	36,000	16.00	13.50	34,000	22,400	3.56	2.58	9.00	CX34-49	SL280UH090V60C	8329485
SL18XP1-036-230A	36,000	16.00	13.50	34,000	22,400	3.56	2.58	9.00	CX34-49	SL280UH090XV60C	8329486
SL18XP1-036-230A	36,000	15.50	13.00	34,000	22,400	3.50	2.54	9.00	CX34-49	SL280UH110V60C	8329487
SL18XP1-036-230A	36,000	15.50	13.00	34,000	22,400	3.50	2.54	9.00	CX34-49	SL280UH110XV60C	8329488
SL18XP1-036-230A	36,000	15.50	13.00	33,800	22,400	3.46	2.54	8.50	CX34-49	SLP98UH090XV36C	8329489
SL18XP1-036-230A	36,000	16.00	13.00	33,600	22,200	3.44	2.52	8.50	CX34-49	SLP98UH090XV48C	8329490
SL18XP1-036-230A	36,000	15.50	13.00	34,200	22,600	3.54	2.56	9.00	CX34-49	SLP98UH090XV60C	8329491
SL18XP1-036-230A	36,000	16.00	13.50	34,000	22,400	3.54	2.56	9.00	CX34-49	SLP98UH110XV60C	8329492
SL18XP1-036-230A	36,000	14.50	12.00	34,200	22,800	3.48	2.52	8.50	CX34-49		8329493
SL18XP1-036-230A	36,000	15.50	13.00	33,200	21,600	3.62	2.56	9.00	CX34-50/60C	EL180UH090E60C	8329494
SL18XP1-036-230A	36,000	15.50	13.00	32,800	21,600	3.54	2.56	8.50	CX34-50/60C	EL180UH110E60C	8329495
SL18XP1-036-230A	36,000	15.50	13.00	32,800	21,600	3.54	2.56	8.50	CX34-50/60C	EL180UH110XE60C	8329496
SL18XP1-036-230A	36,000	15.50	13.00	33,200	21,600	3.62	2.56	9.00	CX34-50/60C	EL195UH090XE48C	8329497
SL18XP1-036-230A	36,000	16.00	13.00	33,200	21,800	3.64	2.60	9.00	CX34-50/60C	EL195UH110XE60C	8329498

**NOTES:**

Ratings are AHRI certified to AHRI Standard 210/240 (with 25 ft. of connecting refrigerant lines);

- Cooling Ratings - 95°F outdoor air temperature and 80 °F db/67° F wb entering indoor coil air.
- High Temperature Heating Ratings - 47° F db/43° F wb outdoor air temperature and 70 °F db entering indoor coil air.
- Low Temperature Heating Ratings - 17 °F db/15° F wb outdoor air temperature and 70 °F db entering indoor coil air.

All ratings include the use of a blower time delay relay (TDR). All Lennox variable-speed Furnaces and Air Handlers have time delay capabilities. Other Furnaces and Air Handlers may require an optional time delay relay (**58M81**) for field installation. See furnace or air handler specifications to determine if relay is needed.

Also see TXV Substitution Table at the beginning of the Heat Pump AHRI System Matches section.

When used with gas furnaces, a dual-fuel control, a control system with dual-fuel capabilities (LZP-2 or LZP-4), or a thermostat with dual-fuel capabilities must be used (order separately).

To convert HSPF from Region IV to Region V - Divide by 1.15.

## AHRI SYSTEM MATCHES

Model No.	Cooling Cap.	SEER	EER	Heat Capacity		Heat COP		HSPF (IV)	Coil or Air Handler	Furnace	AHRI Ref. Number
				High	Low	High	Low				
SL18XP1-036-230A	36,000	15.50	13.00	33,200	21,600	3.62	2.56	9.00	CX34-50/60C	EL296UH090XE48C	8329499
SL18XP1-036-230A	36,000	15.50	13.00	33,200	21,600	3.62	2.56	9.00	CX34-50/60C	EL296UH090XV36C	8329500
SL18XP1-036-230A	36,000	16.00	13.00	33,000	21,600	3.60	2.58	9.00	CX34-50/60C	EL296UH090XV48C	8329501
SL18XP1-036-230A	36,000	16.00	13.00	33,200	21,800	3.64	2.60	9.00	CX34-50/60C	EL296UH110XE60C	8329502
SL18XP1-036-230A	36,000	16.00	13.00	33,200	21,800	3.66	2.60	9.00	CX34-50/60C	EL296UH110XV48C	8329503
SL18XP1-036-230A	36,000	16.00	13.00	33,200	21,800	3.66	2.60	9.00	CX34-50/60C	EL296UH110XV60C	8329504
SL18XP1-036-230A	36,000	16.00	13.50	33,200	21,800	3.68	2.62	9.00	CX34-50/60C	SL280UH090V60C	8329505
SL18XP1-036-230A	36,000	16.00	13.50	33,200	21,800	3.68	2.62	9.00	CX34-50/60C	SL280UH090XV60C	8329506
SL18XP1-036-230A	36,000	15.50	13.00	33,200	21,800	3.64	2.58	9.00	CX34-50/60C	SL280UH110V60C	8329507
SL18XP1-036-230A	36,000	15.50	13.00	33,200	21,800	3.64	2.58	9.00	CX34-50/60C	SL280UH110XV60C	8329508
SL18XP1-036-230A	36,000	15.50	13.00	33,200	21,600	3.62	2.56	9.00	CX34-50/60C	SLP98UH090XV36C	8329509
SL18XP1-036-230A	36,000	16.00	13.00	33,000	21,600	3.60	2.58	9.00	CX34-50/60C	SLP98UH090XV48C	8329510
SL18XP1-036-230A	36,000	15.50	13.00	33,400	22,000	3.66	2.60	9.00	CX34-50/60C	SLP98UH090XV60C	8329511
SL18XP1-036-230A	36,000	16.00	13.00	33,200	21,800	3.66	2.60	9.00	CX34-50/60C	SLP98UH110XV60C	8329512
SL18XP1-036-230A	36,000	14.50	12.00	33,800	22,400	3.46	2.48	8.50	CX34-50/60C		8329513
SL18XP1-042-230A	40,000	14.50	12.50	35,400	22,600	3.30	2.34	8.50	C33-43	EL180UH090E48B	8329547
SL18XP1-042-230A	40,500	15.10	12.50	35,200	22,600	3.36	2.40	8.50	C33-43	EL180UH090E60C	8329555
SL18XP1-042-230A	40,000	14.50	12.50	35,400	22,600	3.30	2.34	8.50	C33-43	EL180UH090XE48B	8329548
SL18XP1-042-230A	40,500	15.10	12.50	35,200	22,600	3.34	2.38	8.50	C33-43	EL180UH110E60C	8329559
SL18XP1-042-230A	40,500	15.10	12.50	35,200	22,600	3.34	2.38	8.50	C33-43	EL180UH110XE60C	8329560
SL18XP1-042-230A	40,000	15.00	12.50	35,200	22,600	3.28	2.36	8.50	C33-43	EL195UH090XE48C	8329561
SL18XP1-042-230A	40,500	15.00	12.50	35,600	22,800	3.36	2.38	8.50	C33-43	EL195UH110XE60C	8329562
SL18XP1-042-230A	40,000	14.00	12.00	35,600	23,000	3.20	2.30	8.20	C33-43	EL296UH045XV36B	8329554
SL18XP1-042-230A	40,000	14.00	12.00	35,600	23,000	3.18	2.28	8.20	C33-43	EL296UH070XV36B	8329552
SL18XP1-042-230A	40,000	15.00	12.50	35,200	22,600	3.28	2.36	8.50	C33-43	EL296UH090XE48C	8329563
SL18XP1-042-230A	40,000	14.50	12.50	35,400	22,600	3.28	2.34	8.50	C33-43	EL296UH090XV36C	8329573
SL18XP1-042-230A	40,000	14.50	12.50	35,400	22,600	3.30	2.36	8.50	C33-43	EL296UH090XV48C	8329572
SL18XP1-042-230A	40,000	15.00	12.50	35,000	22,400	3.28	2.34	8.50	C33-43	EL296UH090XV60C	8329564
SL18XP1-042-230A	40,500	15.00	12.50	35,600	22,800	3.36	2.38	8.50	C33-43	EL296UH110XE60C	8329565
SL18XP1-042-230A	40,500	15.00	12.50	35,400	22,600	3.34	2.36	8.50	C33-43	EL296UH110XV48C	8329566
SL18XP1-042-230A	40,500	15.00	12.50	35,400	22,600	3.34	2.38	8.50	C33-43	EL296UH110XV60C	8329567
SL18XP1-042-230A	40,000	14.50	12.50	35,400	22,800	3.28	2.36	8.50	C33-43	SL280UH090V36B	8329549
SL18XP1-042-230A	40,000	14.50	12.50	35,200	22,600	3.26	2.34	8.50	C33-43	SL280UH090V48B	8329550
SL18XP1-042-230A	40,000	15.10	13.00	35,000	22,400	3.30	2.38	8.50	C33-43	SL280UH090V60C	8329571
SL18XP1-042-230A	40,000	14.50	12.50	35,200	22,600	3.26	2.34	8.50	C33-43	SL280UH090XV48B	8329551
SL18XP1-042-230A	40,000	15.10	13.00	35,000	22,400	3.30	2.38	8.50	C33-43	SL280UH090XV60C	8329558
SL18XP1-042-230A	40,500	15.10	12.50	35,200	22,600	3.34	2.38	8.50	C33-43	SL280UH110V60C	8329556
SL18XP1-042-230A	40,500	15.10	12.50	35,200	22,600	3.34	2.38	8.50	C33-43	SL280UH110XV60C	8329557
SL18XP1-042-230A	40,000	14.00	12.00	35,600	23,000	3.18	2.28	8.20	C33-43	SLP98UH070XV36B	8329553
SL18XP1-042-230A	40,000	14.50	12.50	35,400	22,600	3.28	2.34	8.50	C33-43	SLP98UH090XV36C	8329574
SL18XP1-042-230A	40,000	15.10	12.50	35,000	22,400	3.30	2.36	8.50	C33-43	SLP98UH090XV48C	8329568
SL18XP1-042-230A	40,000	15.00	12.50	35,000	22,400	3.28	2.34	8.50	C33-43	SLP98UH090XV60C	8329569
SL18XP1-042-230A	40,500	15.00	12.50	35,400	22,600	3.34	2.38	8.50	C33-43	SLP98UH110XV60C	8329570
SL18XP1-042-230A	41,000	15.10	12.50	35,400	22,600	3.46	2.42	8.50	C33-49	EL180UH090E60C	8329577
SL18XP1-042-230A	41,000	15.10	12.50	35,400	22,600	3.46	2.40	8.50	C33-49	EL180UH110E60C	8329578
SL18XP1-042-230A	41,000	15.10	12.50	35,400	22,600	3.46	2.40	8.50	C33-49	EL180UH110XE60C	8329579
SL18XP1-042-230A	40,500	14.50	12.50	35,400	22,600	3.42	2.40	8.50	C33-49	EL195UH090XE48C	8329590

### NOTES:

Ratings are AHRI certified to AHRI Standard 210/240 (with 25 ft. of connecting refrigerant lines);

- Cooling Ratings - 95°F outdoor air temperature and 80 °F db/67° F wb entering indoor coil air.
- High Temperature Heating Ratings - 47° F db/43° F wb outdoor air temperature and 70 °F db entering indoor coil air.
- Low Temperature Heating Ratings - 17 °F db/15° F wb outdoor air temperature and 70 °F db entering indoor coil air.

All ratings include the use of a blower time delay relay (TDR). All Lennox variable-speed Furnaces and Air Handlers have time delay capabilities. Other Furnaces and Air Handlers may require an optional time delay relay (**58M81**) for field installation. See furnace or air handler specifications to determine if relay is needed.

Also see TXV Substitution Table at the beginning of the Heat Pump AHRI System Matches section.

When used with gas furnaces, a dual-fuel control, a control system with dual-fuel capabilities (LZP-2 or LZP-4), or a thermostat with dual-fuel capabilities must be used (order separately).

To convert HSPF from Region IV to Region V - Divide by 1.15.



## AHRI SYSTEM MATCHES

Model No.	Cooling Cap.	SEER	EER	Heat Capacity		Heat COP		HSPF (IV)	Coil or Air Handler	Furnace	AHRI Ref. Number
				High	Low	High	Low				
SL18XP1-042-230A	41,500	14.50	12.50	35,600	22,800	3.46	2.40	8.50	C33-49	EL195UH110XE60C	8329591
SL18XP1-042-230A	40,500	14.50	12.50	35,400	22,600	3.42	2.40	8.50	C33-49	EL296UH090XE48C	8329592
SL18XP1-042-230A	41,000	14.50	12.50	35,400	22,800	3.44	2.40	8.50	C33-49	EL296UH090XV36C	8329593
SL18XP1-042-230A	41,000	15.10	12.50	35,400	22,800	3.46	2.44	8.50	C33-49	EL296UH090XV48C	8329580
SL18XP1-042-230A	41,000	15.10	12.50	35,200	22,600	3.44	2.42	8.50	C33-49	EL296UH090XV60C	8329581
SL18XP1-042-230A	41,500	14.50	12.50	35,600	22,800	3.46	2.40	8.50	C33-49	EL296UH110XE60C	8329594
SL18XP1-042-230A	41,500	15.10	12.50	35,600	22,800	3.50	2.44	8.50	C33-49	EL296UH110XV48C	8329582
SL18XP1-042-230A	41,500	15.10	12.50	35,400	22,800	3.48	2.46	8.50	C33-49	EL296UH110XV60C	8329583
SL18XP1-042-230A	41,000	15.10	13.00	35,200	22,400	3.48	2.44	8.50	C33-49	SL280UH090V60C	8329589
SL18XP1-042-230A	41,000	15.10	13.00	35,200	22,400	3.48	2.44	8.50	C33-49	SL280UH090XV60C	8329587
SL18XP1-042-230A	41,500	15.10	13.00	35,400	22,600	3.50	2.44	9.00	C33-49	SL280UH110V60C	8329575
SL18XP1-042-230A	41,500	15.10	13.00	35,400	22,600	3.50	2.44	9.00	C33-49	SL280UH110XV60C	8329576
SL18XP1-042-230A	41,000	15.00	12.50	35,400	22,800	3.44	2.40	8.50	C33-49	SLP98UH090XV36C	8329588
SL18XP1-042-230A	41,000	15.10	12.50	35,200	22,600	3.46	2.42	8.50	C33-49	SLP98UH090XV48C	8329584
SL18XP1-042-230A	41,000	15.10	12.50	35,200	22,600	3.44	2.42	8.50	C33-49	SLP98UH090XV60C	8329585
SL18XP1-042-230A	41,500	15.10	12.50	35,400	22,800	3.48	2.46	8.50	C33-49	SLP98UH110XV60C	8329586
SL18XP1-042-230A	40,500	14.00	11.50	36,200	23,400	3.32	2.32	8.50	C33-49		8329595
SL18XP1-042-230A	40,000	14.50	12.50	35,200	22,600	3.30	2.36	8.50	C33-50/60C	EL180UH090E60C	8329598
SL18XP1-042-230A	40,000	14.50	12.50	35,200	22,600	3.28	2.36	8.50	C33-50/60C	EL180UH110E60C	8329599
SL18XP1-042-230A	40,000	14.50	12.50	35,200	22,600	3.28	2.36	8.50	C33-50/60C	EL180UH110XE60C	8329600
SL18XP1-042-230A	39,500	14.50	12.50	35,200	22,600	3.24	2.32	8.50	C33-50/60C	EL195UH090XE48C	8329601
SL18XP1-042-230A	40,000	14.50	12.50	35,400	22,800	3.28	2.36	8.50	C33-50/60C	EL195UH110XE60C	8329602
SL18XP1-042-230A	39,500	14.50	12.50	35,200	22,600	3.24	2.32	8.50	C33-50/60C	EL296UH090XE48C	8329603
SL18XP1-042-230A	39,500	14.50	12.00	35,400	22,800	3.24	2.32	8.50	C33-50/60C	EL296UH090XV36C	8329611
SL18XP1-042-230A	40,000	14.50	12.50	35,400	22,600	3.28	2.34	8.50	C33-50/60C	EL296UH090XV48C	8329604
SL18XP1-042-230A	39,500	14.50	12.50	35,200	22,600	3.26	2.34	8.50	C33-50/60C	EL296UH090XV60C	8329605
SL18XP1-042-230A	40,000	14.50	12.50	35,400	22,800	3.28	2.36	8.50	C33-50/60C	EL296UH110XE60C	8329606
SL18XP1-042-230A	40,000	14.50	12.50	35,400	22,600	3.28	2.34	8.50	C33-50/60C	EL296UH110XV48C	8329607
SL18XP1-042-230A	40,000	14.50	12.50	35,400	22,800	3.28	2.36	8.50	C33-50/60C	EL296UH110XV60C	8329608
SL18XP1-042-230A	39,500	15.00	12.50	35,000	22,400	3.26	2.34	8.50	C33-50/60C	SL280UH090V60C	8329596
SL18XP1-042-230A	39,500	15.00	12.50	35,000	22,400	3.26	2.34	8.50	C33-50/60C	SL280UH090XV60C	8329597
SL18XP1-042-230A	40,000	14.50	12.50	35,400	22,600	3.30	2.34	8.50	C33-50/60C	SL280UH110V60C	8329613
SL18XP1-042-230A	40,000	14.50	12.50	35,400	22,600	3.30	2.34	8.50	C33-50/60C	SL280UH110XV60C	8329614
SL18XP1-042-230A	39,500	14.50	12.00	35,400	22,800	3.24	2.32	8.50	C33-50/60C	SLP98UH090XV36C	8329612
SL18XP1-042-230A	40,000	14.50	12.50	35,400	22,600	3.28	2.34	8.50	C33-50/60C	SLP98UH090XV48C	8329615
SL18XP1-042-230A	39,500	14.50	12.50	35,200	22,600	3.26	2.34	8.50	C33-50/60C	SLP98UH090XV60C	8329609
SL18XP1-042-230A	40,000	14.50	12.50	35,400	22,800	3.28	2.36	8.50	C33-50/60C	SLP98UH110XV60C	8329610
SL18XP1-042-230A	41,000	15.50	13.00	36,800	24,000	3.62	2.56	9.00	CBX27UH-042		8331391
SL18XP1-042-230A	41,000	15.50	13.00	36,800	24,000	3.62	2.56	9.00	CBX27UH-048		8331392
SL18XP1-042-230A	41,000	14.50	12.50	37,200	24,400	3.54	2.52	9.00	CBX32M-048		8331393
SL18XP1-042-230A	41,500	15.50	13.00	36,800	24,000	3.64	2.58	9.50	CBX32MV-048		8331394
SL18XP1-042-230A	40,500	15.10	12.50	36,800	24,000	3.58	2.54	9.00	CBX40UHV-042		8331395
SL18XP1-042-230A	41,000	15.50	13.00	36,800	24,000	3.62	2.56	9.00	CBX40UHV-048		8331396
SL18XP1-042-230A	41,000	15.10	12.50	36,200	24,200	3.54	2.56	9.00	CH33-43B	EL180UH090E48B	8329616
SL18XP1-042-230A	41,000	15.10	12.50	36,200	24,200	3.54	2.56	9.00	CH33-43B	EL180UH090XE48B	8329617
SL18XP1-042-230A	41,000	14.50	12.50	36,400	24,400	3.46	2.50	9.00	CH33-43B	EL296UH045XV36B	8329623
SL18XP1-042-230A	41,000	14.50	12.50	36,400	24,400	3.46	2.50	9.00	CH33-43B	EL296UH070XV36B	8329621

**NOTES:**

Ratings are AHRI certified to AHRI Standard 210/240 (with 25 ft. of connecting refrigerant lines);

- Cooling Ratings - 95°F outdoor air temperature and 80 °F db/67° F wb entering indoor coil air.
- High Temperature Heating Ratings - 47° F db/43° F wb outdoor air temperature and 70 °F db entering indoor coil air.
- Low Temperature Heating Ratings - 17 °F db/15° F wb outdoor air temperature and 70 °F db entering indoor coil air.

All ratings include the use of a blower time delay relay (TDR). All Lennox variable-speed Furnaces and Air Handlers have time delay capabilities. Other Furnaces and Air Handlers may require an optional time delay relay (**58M81**) for field installation. See furnace or air handler specifications to determine if relay is needed.

Also see TXV Substitution Table at the beginning of the Heat Pump AHRI System Matches section.

When used with gas furnaces, a dual-fuel control, a control system with dual-fuel capabilities (LZP-2 or LZP-4), or a thermostat with dual-fuel capabilities must be used (order separately).

To convert HSPF from Region IV to Region V - Divide by 1.15.

## AHRI SYSTEM MATCHES

Model No.	Cooling Cap.	SEER	EER	Heat Capacity		Heat COP		HSPF (IV)	Coil or Air Handler	Furnace	AHRI Ref. Number
				High	Low	High	Low				
SL18XP1-042-230A	41,500	15.10	13.00	36,200	24,200	3.56	2.58	9.00	CH33-43B	SL280UH090V36B	8329620
SL18XP1-042-230A	41,000	15.10	12.50	36,000	24,000	3.54	2.56	9.00	CH33-43B	SL280UH090V48B	8329618
SL18XP1-042-230A	41,000	15.10	12.50	36,000	24,000	3.54	2.56	9.00	CH33-43B	SL280UH090XV48B	8329619
SL18XP1-042-230A	41,000	14.50	12.50	36,400	24,400	3.46	2.50	9.00	CH33-43B	SLP98UH070XV36B	8329622
SL18XP1-042-230A	40,500	14.00	12.00	36,600	24,600	3.44	2.50	9.00	CH33-43B		8329624
SL18XP1-042-230A	41,500	15.50	13.00	35,400	23,000	3.50	2.50	9.00	CH33-49	EL180UH090E60C	8329625
SL18XP1-042-230A	41,000	15.50	13.00	35,400	23,000	3.50	2.50	9.00	CH33-49	EL180UH110E60C	8329626
SL18XP1-042-230A	41,000	15.50	13.00	35,400	23,000	3.50	2.50	9.00	CH33-49	EL180UH110XE60C	8329627
SL18XP1-042-230A	41,000	15.10	13.00	35,400	23,000	3.46	2.46	9.00	CH33-49	EL195UH090XE48C	8329630
SL18XP1-042-230A	41,500	15.10	13.00	35,600	23,200	3.50	2.48	9.00	CH33-49	EL195UH110XE60C	8329631
SL18XP1-042-230A	41,000	15.10	13.00	35,400	23,000	3.46	2.46	9.00	CH33-49	EL296UH090XE48C	8329632
SL18XP1-042-230A	41,000	15.10	12.50	35,600	23,200	3.46	2.46	9.00	CH33-49	EL296UH090XV36C	8329643
SL18XP1-042-230A	41,000	15.10	13.00	35,600	23,000	3.48	2.46	9.00	CH33-49	EL296UH090XV48C	8329633
SL18XP1-042-230A	41,000	15.10	13.00	35,400	23,000	3.48	2.48	9.00	CH33-49	EL296UH090XV60C	8329634
SL18XP1-042-230A	41,500	15.10	13.00	35,600	23,200	3.50	2.48	9.00	CH33-49	EL296UH110XE60C	8329635
SL18XP1-042-230A	41,500	15.10	13.00	35,600	23,200	3.50	2.48	9.00	CH33-49	EL296UH110XV48C	8329636
SL18XP1-042-230A	41,500	15.10	13.00	35,600	23,200	3.50	2.48	9.00	CH33-49	EL296UH110XV60C	8329637
SL18XP1-042-230A	41,000	15.50	13.00	35,200	22,800	3.48	2.48	9.00	CH33-49	SL280UH090V60C	8329628
SL18XP1-042-230A	41,000	15.50	13.00	35,200	22,800	3.48	2.48	9.00	CH33-49	SL280UH090XV60C	8329629
SL18XP1-042-230A	41,500	15.10	13.00	35,600	23,000	3.50	2.48	9.00	CH33-49	SL280UH110V60C	8329638
SL18XP1-042-230A	41,500	15.10	13.00	35,600	23,000	3.50	2.48	9.00	CH33-49	SL280UH110XV60C	8329639
SL18XP1-042-230A	41,000	15.10	12.50	35,600	23,200	3.46	2.46	9.00	CH33-49	SLP98UH090XV36C	8329644
SL18XP1-042-230A	41,000	15.10	13.00	35,400	23,000	3.48	2.46	9.00	CH33-49	SLP98UH090XV48C	8329640
SL18XP1-042-230A	41,000	15.10	13.00	35,400	23,000	3.48	2.48	9.00	CH33-49	SLP98UH090XV60C	8329641
SL18XP1-042-230A	41,500	15.10	13.00	35,600	23,200	3.50	2.48	9.00	CH33-49	SLP98UH110XV60C	8329642
SL18XP1-042-230A	41,000	14.00	12.00	36,200	23,600	3.38	2.40	9.00	CH33-49		8329645
SL18XP1-042-230A	41,000	15.10	13.00	35,400	23,000	3.48	2.48	9.00	CH33-50/60C	EL180UH090E60C	8329648
SL18XP1-042-230A	41,000	15.10	13.00	35,400	22,800	3.48	2.46	9.00	CH33-50/60C	EL180UH110E60C	8329649
SL18XP1-042-230A	41,000	15.10	13.00	35,400	22,800	3.48	2.46	9.00	CH33-50/60C	EL180UH110XE60C	8329650
SL18XP1-042-230A	40,500	15.10	12.50	35,400	23,000	3.44	2.46	9.00	CH33-50/60C	EL195UH090XE48C	8329914
SL18XP1-042-230A	41,000	15.10	12.50	35,600	23,200	3.48	2.48	9.00	CH33-50/60C	EL195UH110XE60C	8329651
SL18XP1-042-230A	40,500	15.10	12.50	35,400	23,000	3.44	2.46	9.00	CH33-50/60C	EL296UH090XE48C	8329662
SL18XP1-042-230A	41,000	15.00	12.50	35,600	23,200	3.44	2.46	9.00	CH33-50/60C	EL296UH090XV36C	8329663
SL18XP1-042-230A	41,000	15.10	13.00	35,600	23,000	3.46	2.46	9.00	CH33-50/60C	EL296UH090XV48C	8329652
SL18XP1-042-230A	41,000	15.10	13.00	35,400	23,000	3.44	2.46	9.00	CH33-50/60C	EL296UH090XV60C	8329653
SL18XP1-042-230A	41,000	15.10	12.50	35,600	23,200	3.48	2.48	9.00	CH33-50/60C	EL296UH110XE60C	8329654
SL18XP1-042-230A	41,000	15.10	12.50	35,600	23,200	3.48	2.48	9.00	CH33-50/60C	EL296UH110XV48C	8329655
SL18XP1-042-230A	41,000	15.10	12.50	35,600	23,200	3.48	2.48	9.00	CH33-50/60C	EL296UH110XV60C	8329656
SL18XP1-042-230A	41,000	15.50	13.00	35,200	22,800	3.48	2.48	9.00	CH33-50/60C	SL280UH090V60C	8329646
SL18XP1-042-230A	41,000	15.50	13.00	35,200	22,800	3.48	2.48	9.00	CH33-50/60C	SL280UH090XV60C	8329647
SL18XP1-042-230A	41,000	15.10	13.00	35,400	23,000	3.48	2.46	9.00	CH33-50/60C	SL280UH110V60C	8329657
SL18XP1-042-230A	41,000	15.10	13.00	35,400	23,000	3.48	2.46	9.00	CH33-50/60C	SL280UH110XV60C	8329658
SL18XP1-042-230A	41,000	15.00	12.50	35,600	23,200	3.44	2.46	9.00	CH33-50/60C	SLP98UH090XV36C	8329664
SL18XP1-042-230A	41,000	15.10	13.00	35,400	23,000	3.44	2.46	9.00	CH33-50/60C	SLP98UH090XV48C	8329659
SL18XP1-042-230A	41,000	15.10	13.00	35,400	23,000	3.44	2.46	9.00	CH33-50/60C	SLP98UH090XV60C	8329660
SL18XP1-042-230A	41,000	15.10	12.50	35,600	23,200	3.48	2.48	9.00	CH33-50/60C	SLP98UH110XV60C	8329661
SL18XP1-042-230A	40,500	14.00	12.00	36,200	23,600	3.38	2.38	8.50	CH33-50/60C		8329665

### NOTES:

Ratings are AHRI certified to AHRI Standard 210/240 (with 25 ft. of connecting refrigerant lines);

- Cooling Ratings - 95°F outdoor air temperature and 80 °F db/67° F wb entering indoor coil air.
- High Temperature Heating Ratings - 47° F db/43° F wb outdoor air temperature and 70 °F db entering indoor coil air.
- Low Temperature Heating Ratings - 17 °F db/15° F wb outdoor air temperature and 70 °F db entering indoor coil air.

All ratings include the use of a blower time delay relay (TDR). All Lennox variable-speed Furnaces and Air Handlers have time delay capabilities. Other Furnaces and Air Handlers may require an optional time delay relay (**58M81**) for field installation. See furnace or air handler specifications to determine if relay is needed.

Also see TXV Substitution Table at the beginning of the Heat Pump AHRI System Matches section.

When used with gas furnaces, a dual-fuel control, a control system with dual-fuel capabilities (LZP-2 or LZP-4), or a thermostat with dual-fuel capabilities must be used (order separately).

To convert HSPF from Region IV to Region V - Divide by 1.15.

## AHRI SYSTEM MATCHES

Model No.	Cooling Cap.	SEER	EER	Heat Capacity		Heat COP		HSPF (IV)	Coil or Air Handler	Furnace	AHRI Ref. Number
				High	Low	High	Low				
SL18XP1-042-230A	40,500	15.10	13.00	36,600	23,000	3.70	2.56	9.50	CR33-50/60	EL180DF110E60C	8329668
SL18XP1-042-230A	40,000	15.00	12.50	36,600	23,200	3.64	2.54	9.00	CR33-50/60	EL195DF090XE48C	8329673
SL18XP1-042-230A	40,500	15.10	12.50	36,800	23,200	3.70	2.54	9.50	CR33-50/60	EL195DF110XE60C	8329669
SL18XP1-042-230A	40,000	15.00	12.50	36,600	23,200	3.64	2.54	9.00	CR33-50/60	EL296DF090XE48C	8329674
SL18XP1-042-230A	40,500	15.10	12.50	36,800	23,200	3.70	2.54	9.50	CR33-50/60	EL296DF110XE60C	8329670
SL18XP1-042-230A	40,500	15.10	13.00	36,600	23,000	3.72	2.56	9.50	CR33-50/60	SL280DF090V60C	8329667
SL18XP1-042-230A	40,500	15.50	13.00	36,600	23,000	3.74	2.58	9.50	CR33-50/60	SL280DF110V60C	8329666
SL18XP1-042-230A	40,500	14.50	12.50	36,800	23,200	3.66	2.52	9.00	CR33-50/60	SLP98DF090XV36C	8329676
SL18XP1-042-230A	40,500	15.10	13.00	36,600	23,200	3.66	2.54	9.00	CR33-50/60	SLP98DF090XV48C	8329672
SL18XP1-042-230A	40,500	15.00	12.50	37,000	23,400	3.70	2.54	9.00	CR33-50/60	SLP98DF090XV60C	8329675
SL18XP1-042-230A	40,500	15.10	12.50	36,800	23,200	3.70	2.56	9.50	CR33-50/60	SLP98DF110XV60C	8329671
SL18XP1-042-230A	40,000	14.00	12.00	37,400	23,800	3.52	2.46	9.00	CR33-50/60		8329677
SL18XP1-042-230A	40,000	14.50	12.50	35,400	22,600	3.30	2.34	8.50	CX34-43	EL180UH090E48B	8329678
SL18XP1-042-230A	40,500	15.10	12.50	35,200	22,600	3.36	2.40	8.50	CX34-43	EL180UH090E60C	8329686
SL18XP1-042-230A	40,000	14.50	12.50	35,400	22,600	3.30	2.34	8.50	CX34-43	EL180UH090XE48B	8329679
SL18XP1-042-230A	40,500	15.10	12.50	35,200	22,600	3.34	2.38	8.50	CX34-43	EL180UH110E60C	8329690
SL18XP1-042-230A	40,500	15.10	12.50	35,200	22,600	3.34	2.38	8.50	CX34-43	EL180UH110XE60C	8329691
SL18XP1-042-230A	40,000	15.00	12.50	35,200	22,600	3.28	2.36	8.50	CX34-43	EL195UH090XE48C	8329692
SL18XP1-042-230A	40,500	15.00	12.50	35,600	22,800	3.36	2.38	8.50	CX34-43	EL195UH110XE60C	8329693
SL18XP1-042-230A	40,000	14.00	12.00	35,600	23,000	3.20	2.30	8.20	CX34-43	EL296UH045XV36B	8329685
SL18XP1-042-230A	40,000	14.00	12.00	35,600	23,000	3.18	2.28	8.20	CX34-43	EL296UH070XV36B	8329683
SL18XP1-042-230A	40,000	15.00	12.50	35,200	22,600	3.28	2.36	8.50	CX34-43	EL296UH090XE48C	8329694
SL18XP1-042-230A	40,000	14.50	12.50	35,400	22,600	3.28	2.34	8.50	CX34-43	EL296UH090XV36C	8329704
SL18XP1-042-230A	40,000	14.50	12.50	35,400	22,600	3.30	2.36	8.50	CX34-43	EL296UH090XV48C	8329703
SL18XP1-042-230A	40,000	15.00	12.50	35,000	22,400	3.28	2.34	8.50	CX34-43	EL296UH090XV60C	8329695
SL18XP1-042-230A	40,500	15.00	12.50	35,600	22,800	3.36	2.38	8.50	CX34-43	EL296UH110XE60C	8329696
SL18XP1-042-230A	40,500	15.00	12.50	35,400	22,600	3.34	2.36	8.50	CX34-43	EL296UH110XV48C	8329697
SL18XP1-042-230A	40,500	15.00	12.50	35,400	22,600	3.34	2.38	8.50	CX34-43	EL296UH110XV60C	8329698
SL18XP1-042-230A	40,000	14.50	12.50	35,400	22,800	3.28	2.36	8.50	CX34-43	SL280UH090V36B	8329680
SL18XP1-042-230A	40,000	14.50	12.50	35,200	22,600	3.26	2.34	8.50	CX34-43	SL280UH090V48B	8329681
SL18XP1-042-230A	40,000	15.10	13.00	35,000	22,400	3.30	2.38	8.50	CX34-43	SL280UH090V60C	8329702
SL18XP1-042-230A	40,000	14.50	12.50	35,200	22,600	3.26	2.34	8.50	CX34-43	SL280UH090XV48B	8329682
SL18XP1-042-230A	40,000	15.10	13.00	35,000	22,400	3.30	2.38	8.50	CX34-43	SL280UH090XV60C	8329689
SL18XP1-042-230A	40,500	15.10	12.50	35,200	22,600	3.34	2.38	8.50	CX34-43	SL280UH110V60C	8329687
SL18XP1-042-230A	40,500	15.10	12.50	35,200	22,600	3.34	2.38	8.50	CX34-43	SL280UH110XV60C	8329688
SL18XP1-042-230A	40,000	14.00	12.00	35,600	23,000	3.18	2.28	8.20	CX34-43	SLP98UH070XV36B	8329684
SL18XP1-042-230A	40,000	14.50	12.50	35,400	22,600	3.28	2.34	8.50	CX34-43	SLP98UH090XV36C	8329705
SL18XP1-042-230A	40,000	15.10	12.50	35,000	22,400	3.30	2.36	8.50	CX34-43	SLP98UH090XV48C	8329699
SL18XP1-042-230A	40,000	15.00	12.50	35,000	22,400	3.28	2.34	8.50	CX34-43	SLP98UH090XV60C	8329700
SL18XP1-042-230A	40,500	15.00	12.50	35,400	22,600	3.34	2.38	8.50	CX34-43	SLP98UH110XV60C	8329701
SL18XP1-042-230A	41,000	15.10	12.50	35,400	22,600	3.46	2.42	8.50	CX34-49	EL180UH090E60C	8329709
SL18XP1-042-230A	41,000	15.10	12.50	35,400	22,600	3.46	2.40	8.50	CX34-49	EL180UH110E60C	8329710
SL18XP1-042-230A	41,000	15.10	12.50	35,400	22,600	3.46	2.40	8.50	CX34-49	EL180UH110XE60C	8329711
SL18XP1-042-230A	40,500	14.50	12.50	35,400	22,600	3.42	2.40	8.50	CX34-49	EL195UH090XE48C	8329721
SL18XP1-042-230A	41,500	14.50	12.50	35,600	22,800	3.46	2.40	8.50	CX34-49	EL195UH110XE60C	8329722
SL18XP1-042-230A	40,500	14.50	12.50	35,400	22,600	3.42	2.40	8.50	CX34-49	EL296UH090XE48C	8329723
SL18XP1-042-230A	41,000	14.50	12.50	35,400	22,800	3.44	2.40	8.50	CX34-49	EL296UH090XV36C	8329724

**NOTES:**

Ratings are AHRI certified to AHRI Standard 210/240 (with 25 ft. of connecting refrigerant lines);

- Cooling Ratings - 95°F outdoor air temperature and 80 °F db/67° F wb entering indoor coil air.
- High Temperature Heating Ratings - 47° F db/43° F wb outdoor air temperature and 70 °F db entering indoor coil air.
- Low Temperature Heating Ratings - 17 °F db/15° F wb outdoor air temperature and 70 °F db entering indoor coil air.

All ratings include the use of a blower time delay relay (TDR). All Lennox variable-speed Furnaces and Air Handlers have time delay capabilities. Other Furnaces and Air Handlers may require an optional time delay relay (**58M81**) for field installation. See furnace or air handler specifications to determine if relay is needed.

Also see TXV Substitution Table at the beginning of the Heat Pump AHRI System Matches section.

When used with gas furnaces, a dual-fuel control, a control system with dual-fuel capabilities (LZP-2 or LZP-4), or a thermostat with dual-fuel capabilities must be used (order separately).

To convert HSPF from Region IV to Region V - Divide by 1.15.

## AHRI SYSTEM MATCHES

Model No.	Cooling Cap.	SEER	EER	Heat Capacity		Heat COP		HSPF (IV)	Coil or Air Handler	Furnace	AHRI Ref. Number
				High	Low	High	Low				
SL18XP1-042-230A	41,000	15.10	12.50	35,400	22,800	3.46	2.44	8.50	CX34-49	EL296UH090XV48C	8329712
SL18XP1-042-230A	41,000	15.10	12.50	35,200	22,600	3.44	2.42	8.50	CX34-49	EL296UH090XV60C	8329713
SL18XP1-042-230A	41,500	14.50	12.50	35,600	22,800	3.46	2.40	8.50	CX34-49	EL296UH110XE60C	8329725
SL18XP1-042-230A	41,500	15.10	12.50	35,600	22,800	3.50	2.44	8.50	CX34-49	EL296UH110XV48C	8329714
SL18XP1-042-230A	41,500	15.10	12.50	35,400	22,800	3.48	2.46	8.50	CX34-49	EL296UH110XV60C	8329715
SL18XP1-042-230A	41,000	15.10	13.00	35,200	22,400	3.48	2.44	8.50	CX34-49	SL280UH090V60C	8329720
SL18XP1-042-230A	41,000	15.10	13.00	35,200	22,400	3.48	2.44	8.50	CX34-49	SL280UH090XV60C	8329708
SL18XP1-042-230A	41,500	15.10	13.00	35,400	22,600	3.50	2.44	9.00	CX34-49	SL280UH110V60C	8329706
SL18XP1-042-230A	41,500	15.10	13.00	35,400	22,600	3.50	2.44	9.00	CX34-49	SL280UH110XV60C	8329707
SL18XP1-042-230A	41,000	15.00	12.50	35,400	22,800	3.44	2.40	8.50	CX34-49	SLP98UH090XV36C	8329719
SL18XP1-042-230A	41,000	15.10	12.50	35,200	22,600	3.46	2.42	8.50	CX34-49	SLP98UH090XV48C	8329716
SL18XP1-042-230A	41,000	15.10	12.50	35,200	22,600	3.44	2.42	8.50	CX34-49	SLP98UH090XV60C	8329717
SL18XP1-042-230A	41,500	15.10	12.50	35,400	22,800	3.48	2.46	8.50	CX34-49	SLP98UH110XV60C	8329718
SL18XP1-042-230A	40,500	14.00	11.50	36,200	23,400	3.32	2.32	8.50	CX34-49		8329726
SL18XP1-042-230A	40,000	14.50	12.50	35,200	22,600	3.30	2.36	8.50	CX34-50/60C	EL180UH090E60C	8329729
SL18XP1-042-230A	40,000	14.50	12.50	35,200	22,600	3.28	2.36	8.50	CX34-50/60C	EL180UH110E60C	8329730
SL18XP1-042-230A	40,000	14.50	12.50	35,200	22,600	3.28	2.36	8.50	CX34-50/60C	EL180UH110XE60C	8329731
SL18XP1-042-230A	39,500	14.50	12.50	35,200	22,600	3.24	2.32	8.50	CX34-50/60C	EL195UH090XE48C	8329732
SL18XP1-042-230A	40,000	14.50	12.50	35,400	22,800	3.28	2.36	8.50	CX34-50/60C	EL195UH110XE60C	8329733
SL18XP1-042-230A	39,500	14.50	12.50	35,200	22,600	3.24	2.32	8.50	CX34-50/60C	EL296UH090XE48C	8329734
SL18XP1-042-230A	39,500	14.50	12.00	35,400	22,800	3.24	2.32	8.50	CX34-50/60C	EL296UH090XV36C	8329744
SL18XP1-042-230A	40,000	14.50	12.50	35,400	22,600	3.28	2.34	8.50	CX34-50/60C	EL296UH090XV48C	8329735
SL18XP1-042-230A	39,500	14.50	12.50	35,200	22,600	3.26	2.34	8.50	CX34-50/60C	EL296UH090XV60C	8329736
SL18XP1-042-230A	40,000	14.50	12.50	35,400	22,800	3.28	2.36	8.50	CX34-50/60C	EL296UH110XE60C	8329737
SL18XP1-042-230A	40,000	14.50	12.50	35,400	22,600	3.28	2.34	8.50	CX34-50/60C	EL296UH110XV48C	8330124
SL18XP1-042-230A	40,000	14.50	12.50	35,400	22,800	3.28	2.36	8.50	CX34-50/60C	EL296UH110XV60C	8329738
SL18XP1-042-230A	39,500	15.00	12.50	35,000	22,400	3.26	2.34	8.50	CX34-50/60C	SL280UH090V60C	8329727
SL18XP1-042-230A	39,500	15.00	12.50	35,000	22,400	3.26	2.34	8.50	CX34-50/60C	SL280UH090XV60C	8329728
SL18XP1-042-230A	40,000	14.50	12.50	35,400	22,600	3.30	2.34	8.50	CX34-50/60C	SL280UH110V60C	8329739
SL18XP1-042-230A	40,000	14.50	12.50	35,400	22,600	3.30	2.34	8.50	CX34-50/60C	SL280UH110XV60C	8329740
SL18XP1-042-230A	39,500	14.50	12.00	35,400	22,800	3.24	2.32	8.50	CX34-50/60C	SLP98UH090XV36C	8329745
SL18XP1-042-230A	40,000	14.50	12.50	35,400	22,600	3.28	2.34	8.50	CX34-50/60C	SLP98UH090XV48C	8329741
SL18XP1-042-230A	39,500	14.50	12.50	35,200	22,600	3.26	2.34	8.50	CX34-50/60C	SLP98UH090XV60C	8329742
SL18XP1-042-230A	40,000	14.50	12.50	35,400	22,800	3.28	2.36	8.50	CX34-50/60C	SLP98UH110XV60C	8329743
SL18XP1-048-230A	48,000	14.50	12.00	45,000	30,000	3.68	2.72	9.00	C33-62C	EL180UH090E60C	8329122
SL18XP1-048-230A	47,500	14.50	12.00	45,000	30,000	3.66	2.70	9.50	C33-62C	EL180UH110E60C	8329125
SL18XP1-048-230A	47,500	14.50	12.00	45,000	30,000	3.66	2.70	9.50	C33-62C	EL180UH110XE60C	8329126
SL18XP1-048-230A	48,000	14.50	12.00	45,500	30,200	3.66	2.68	9.00	C33-62C	EL195UH090XE48C	8329130
SL18XP1-048-230A	48,000	14.50	12.00	45,000	30,200	3.64	2.70	9.00	C33-62C	EL195UH110XE60C	8329127
SL18XP1-048-230A	48,000	14.50	12.00	45,500	30,200	3.66	2.68	9.00	C33-62C	EL296UH090XE48C	8329131
SL18XP1-048-230A	48,000	14.50	12.00	45,500	30,400	3.66	2.70	9.00	C33-62C	EL296UH090XV48C	8329132
SL18XP1-048-230A	48,000	14.50	12.00	45,500	30,400	3.66	2.70	9.00	C33-62C	EL296UH090XV60C	8329133
SL18XP1-048-230A	48,000	14.50	12.00	45,000	30,200	3.64	2.70	9.00	C33-62C	EL296UH110XE60C	8329128
SL18XP1-048-230A	48,000	14.50	12.00	45,500	30,400	3.66	2.70	9.00	C33-62C	EL296UH110XV48C	8329134
SL18XP1-048-230A	48,000	14.50	12.00	45,500	30,400	3.66	2.70	9.00	C33-62C	EL296UH110XV60C	8329135
SL18XP1-048-230A	48,000	14.50	12.00	45,000	30,200	3.68	2.72	9.00	C33-62C	SL280UH090V60C	8329123
SL18XP1-048-230A	48,000	14.50	12.00	45,000	30,200	3.68	2.72	9.00	C33-62C	SL280UH090XV60C	8329124

### NOTES:

Ratings are AHRI certified to AHRI Standard 210/240 (with 25 ft. of connecting refrigerant lines);

- Cooling Ratings - 95°F outdoor air temperature and 80 °F db/67° F wb entering indoor coil air.
- High Temperature Heating Ratings - 47° F db/43° F wb outdoor air temperature and 70 °F db entering indoor coil air.
- Low Temperature Heating Ratings - 17 °F db/15° F wb outdoor air temperature and 70 °F db entering indoor coil air.

All ratings include the use of a blower time delay relay (TDR). All Lennox variable-speed Furnaces and Air Handlers have time delay capabilities. Other Furnaces and Air Handlers may require an optional time delay relay (**58M81**) for field installation. See furnace or air handler specifications to determine if relay is needed.

Also see TXV Substitution Table at the beginning of the Heat Pump AHRI System Matches section.

When used with gas furnaces, a dual-fuel control, a control system with dual-fuel capabilities (LZP-2 or LZP-4), or a thermostat with dual-fuel capabilities must be used (order separately).

To convert HSPF from Region IV to Region V - Divide by 1.15.

## AHRI SYSTEM MATCHES

Model No.	Cooling Cap.	SEER	EER	Heat Capacity		Heat COP		HSPF (IV)	Coil or Air Handler	Furnace	AHRI Ref. Number
				High	Low	High	Low				
SL18XP1-048-230A	48,000	14.50	12.00	45,000	30,200	3.66	2.72	9.00	C33-62C	SL280UH110V60C	8329205
SL18XP1-048-230A	48,000	14.50	12.00	45,000	30,200	3.66	2.72	9.00	C33-62C	SL280UH110XV60C	8329206
SL18XP1-048-230A	48,000	14.50	12.00	45,500	30,400	3.66	2.70	9.00	C33-62C	SLP98UH090XV48C	8329207
SL18XP1-048-230A	48,000	14.50	12.00	45,500	30,400	3.66	2.70	9.00	C33-62C	SLP98UH090XV60C	8329208
SL18XP1-048-230A	48,000	14.50	12.00	45,500	30,200	3.66	2.70	9.00	C33-62C	SLP98UH110XV60C	8329129
SL18XP1-048-230A	47,500	14.00	11.50	46,000	30,800	3.58	2.62	9.00	C33-62C		8329136
SL18XP1-048-230A	48,000	15.10	12.00	45,500	30,200	3.70	2.66	9.00	C33-62D	EL180UH135E60D	8329137
SL18XP1-048-230A	48,000	14.50	12.00	45,500	30,400	3.62	2.62	9.00	C33-62D	EL195UH135XE60D	8329140
SL18XP1-048-230A	48,000	14.50	12.00	45,500	30,400	3.62	2.62	9.00	C33-62D	EL296UH135XE60D	8329141
SL18XP1-048-230A	48,000	14.50	12.00	45,500	30,400	3.66	2.64	9.00	C33-62D	EL296UH135XV60D	8329138
SL18XP1-048-230A	47,500	15.10	12.00	45,000	30,000	3.64	2.66	9.00	C33-62D	SL280UH135V60D	8329209
SL18XP1-048-230A	48,000	14.50	12.00	45,500	30,400	3.66	2.64	9.00	C33-62D	SLP98UH135XV60D	8331723
SL18XP1-048-230A	47,500	14.00	11.50	46,000	30,800	3.58	2.58	9.00	C33-62D		8329142
SL18XP1-048-230A	47,500	15.10	12.50	47,000	30,400	3.76	2.68	9.00	CBX27UH-048		8331397
SL18XP1-048-230A	48,000	15.10	12.50	45,500	30,400	3.82	2.76	9.50	CBX27UH-060		8331398
SL18XP1-048-230A	47,500	15.10	12.00	47,000	30,600	3.70	2.66	9.00	CBX32M-048		8331399
SL18XP1-048-230A	48,000	14.50	12.50	46,500	30,400	3.72	2.70	9.00	CBX32M-060		8331400
SL18XP1-048-230A	47,500	15.00	12.00	47,000	30,400	3.70	2.64	9.00	CBX32MV-048		8331401
SL18XP1-048-230A	48,000	15.50	13.00	46,000	30,000	3.78	2.76	9.60	CBX32MV-060		8331402
SL18XP1-048-230A	47,500	15.50	12.50	46,500	30,200	3.74	2.68	9.00	CBX40UHV-048		8331403
SL18XP1-048-230A	48,000	15.50	12.50	46,000	30,000	3.78	2.76	9.50	CBX40UHV-060		8331404
SL18XP1-048-230A	48,000	15.10	12.50	45,000	29,800	3.58	2.58	9.50	CH33-49	EL180UH090E60C	8329143
SL18XP1-048-230A	47,500	15.10	12.50	44,500	29,600	3.52	2.56	9.00	CH33-49	EL180UH110E60C	8329144
SL18XP1-048-230A	47,500	15.10	12.50	44,500	29,600	3.52	2.56	9.00	CH33-49	EL180UH110XE60C	8329145
SL18XP1-048-230A	48,000	14.50	12.00	45,000	29,800	3.54	2.54	9.00	CH33-49	EL195UH090XE48C	8329150
SL18XP1-048-230A	48,000	15.00	12.50	45,000	29,800	3.56	2.56	9.00	CH33-49	EL195UH110XE60C	8329148
SL18XP1-048-230A	48,000	14.50	12.00	45,000	29,800	3.54	2.54	9.00	CH33-49	EL296UH090XE48C	8329151
SL18XP1-048-230A	48,000	14.50	12.00	45,000	30,000	3.52	2.54	9.00	CH33-49	EL296UH090XV48C	8329154
SL18XP1-048-230A	48,000	14.50	12.00	45,000	30,000	3.52	2.54	9.00	CH33-49	EL296UH090XV60C	8329155
SL18XP1-048-230A	48,000	15.00	12.50	45,000	29,800	3.56	2.56	9.00	CH33-49	EL296UH110XE60C	8329149
SL18XP1-048-230A	48,000	14.50	12.00	45,000	30,000	3.54	2.56	9.00	CH33-49	EL296UH110XV48C	8329152
SL18XP1-048-230A	48,000	14.50	12.00	45,000	30,000	3.54	2.56	9.00	CH33-49	EL296UH110XV60C	8329153
SL18XP1-048-230A	48,000	15.00	12.00	45,000	29,800	3.58	2.58	9.00	CH33-49	SL280UH090V60C	8329146
SL18XP1-048-230A	48,000	15.00	12.00	45,000	29,800	3.58	2.58	9.00	CH33-49	SL280UH090XV60C	8329147
SL18XP1-048-230A	48,000	15.00	12.50	45,000	29,800	3.56	2.56	9.00	CH33-49	SL280UH110V60C	8329210
SL18XP1-048-230A	48,000	15.00	12.00	45,000	29,800	3.56	2.56	9.00	CH33-49	SL280UH110XV60C	8329211
SL18XP1-048-230A	48,000	14.50	12.00	45,000	30,000	3.54	2.54	9.00	CH33-49	SLP98UH090XV48C	8329212
SL18XP1-048-230A	48,000	14.50	12.00	45,000	30,000	3.52	2.54	9.00	CH33-49	SLP98UH090XV60C	8329213
SL18XP1-048-230A	48,000	14.50	12.00	45,000	30,000	3.52	2.54	9.00	CH33-49	SLP98UH110XV60C	8329214
SL18XP1-048-230A	48,000	14.00	11.50	45,500	30,400	3.50	2.52	9.00	CH33-49		8329156
SL18XP1-048-230A	47,500	15.00	12.50	44,500	29,600	3.52	2.56	9.00	CH33-50/60C	EL180UH090E60C	8329159
SL18XP1-048-230A	47,500	15.00	12.50	44,500	29,600	3.50	2.56	9.00	CH33-50/60C	EL180UH110E60C	8329160
SL18XP1-048-230A	47,500	15.00	12.50	44,500	29,600	3.50	2.56	9.00	CH33-50/60C	EL180UH110XE60C	8329161
SL18XP1-048-230A	47,500	14.50	12.00	45,000	29,800	3.50	2.54	9.00	CH33-50/60C	EL195UH090XE48C	8329164
SL18XP1-048-230A	47,500	14.50	12.00	45,000	29,800	3.52	2.54	9.00	CH33-50/60C	EL195UH110XE60C	8329162
SL18XP1-048-230A	47,500	14.50	12.00	45,000	29,800	3.50	2.54	9.00	CH33-50/60C	EL296UH090XE48C	8329165
SL18XP1-048-230A	47,500	14.50	12.00	45,000	30,000	3.50	2.54	9.00	CH33-50/60C	EL296UH090XV48C	8329169

### NOTES:

Ratings are AHRI certified to AHRI Standard 210/240 (with 25 ft. of connecting refrigerant lines);

- Cooling Ratings - 95°F outdoor air temperature and 80 °F db/67° F wb entering indoor coil air.
- High Temperature Heating Ratings - 47° F db/43° F wb outdoor air temperature and 70 °F db entering indoor coil air.
- Low Temperature Heating Ratings - 17 °F db/15° F wb outdoor air temperature and 70 °F db entering indoor coil air.

All ratings include the use of a blower time delay relay (TDR). All Lennox variable-speed Furnaces and Air Handlers have time delay capabilities. Other Furnaces and Air Handlers may require an optional time delay relay (**58M81**) for field installation. See furnace or air handler specifications to determine if relay is needed.

Also see TXV Substitution Table at the beginning of the Heat Pump AHRI System Matches section.

When used with gas furnaces, a dual-fuel control, a control system with dual-fuel capabilities (LZP-2 or LZP-4), or a thermostat with dual-fuel capabilities must be used (order separately).

To convert HSPF from Region IV to Region V - Divide by 1.15.

## AHRI SYSTEM MATCHES

Model No.	Cooling Cap.	SEER	EER	Heat Capacity		Heat COP		HSPF (IV)	Coil or Air Handler	Furnace	AHRI Ref. Number
				High	Low	High	Low				
SL18XP1-048-230A	47,500	14.50	12.00	45,000	30,000	3.50	2.54	9.00	CH33-50/60C	EL296UH090XV60C	8329170
SL18XP1-048-230A	47,500	14.50	12.00	45,000	29,800	3.52	2.54	9.00	CH33-50/60C	EL296UH110XE60C	8329163
SL18XP1-048-230A	47,500	14.50	12.00	45,000	30,000	3.52	2.54	9.00	CH33-50/60C	EL296UH110XV48C	8329166
SL18XP1-048-230A	48,000	14.50	12.00	45,000	30,000	3.52	2.54	9.00	CH33-50/60C	EL296UH110XV60C	8329167
SL18XP1-048-230A	48,000	15.10	12.50	45,000	29,800	3.60	2.60	9.50	CH33-50/60C	SL280UH090V60C	8329157
SL18XP1-048-230A	48,000	15.10	12.50	45,000	29,800	3.60	2.60	9.50	CH33-50/60C	SL280UH090XV60C	8329158
SL18XP1-048-230A	48,000	15.10	12.50	45,000	29,800	3.60	2.58	9.50	CH33-50/60C	SL280UH110V60C	8329215
SL18XP1-048-230A	48,000	15.10	12.50	45,000	29,800	3.60	2.58	9.50	CH33-50/60C	SL280UH110XV60C	8329216
SL18XP1-048-230A	47,500	14.50	12.00	45,000	30,000	3.52	2.54	9.00	CH33-50/60C	SLP98UH090XV48C	8329217
SL18XP1-048-230A	48,000	14.50	12.00	45,000	30,000	3.50	2.54	9.00	CH33-50/60C	SLP98UH090XV60C	8329336
SL18XP1-048-230A	47,500	14.50	12.00	45,000	30,000	3.52	2.54	9.00	CH33-50/60C	SLP98UH110XV60C	8329168
SL18XP1-048-230A	47,500	14.00	11.50	45,500	30,400	3.52	2.54	9.00	CH33-50/60C		8329171
SL18XP1-048-230A	48,000	15.00	12.50	45,000	30,600	3.62	2.72	9.00	CH33-62D	EL180UH135E60D	8654268
SL18XP1-048-230A	47,500	14.50	12.00	45,000	31,000	3.52	2.70	9.00	CH33-62D	EL195UH135XE60D	8654266
SL18XP1-048-230A	47,500	14.50	12.00	45,000	31,000	3.52	2.70	9.00	CH33-62D	EL296UH135XE60D	8654267
SL18XP1-048-230A	47,500	15.00	12.50	44,500	30,400	3.56	2.72	9.00	CH33-62D	SL280UH135V60DC	8654269
SL18XP1-048-230A	47,500	14.50	12.50	44,500	30,600	3.54	2.70	9.00	CH33-62D	SLP98UH135XV60D	8654270
SL18XP1-048-230A	47,000	14.00	11.50	45,500	31,400	3.48	2.66	9.00	CH33-62D		8654265
SL18XP1-048-230A	48,000	15.10	12.50	46,500	31,000	3.56	2.68	9.00	CR33-50/60	EL180DF110E60C	8329173
SL18XP1-048-230A	47,500	14.50	12.00	47,000	31,200	3.50	2.62	9.00	CR33-50/60	EL195DF090XE48C	8329179
SL18XP1-048-230A	47,500	14.50	12.50	46,500	31,000	3.50	2.64	9.00	CR33-50/60	EL195DF110XE60C	8329175
SL18XP1-048-230A	47,500	14.50	12.00	47,000	31,200	3.50	2.62	9.00	CR33-50/60	EL296DF090XE48C	8329180
SL18XP1-048-230A	47,500	14.50	12.50	46,500	31,000	3.50	2.64	9.00	CR33-50/60	EL296DF110XE60C	8329176
SL18XP1-048-230A	48,000	15.10	12.50	46,500	31,000	3.56	2.68	9.00	CR33-50/60	SL280DF090V60C	8329174
SL18XP1-048-230A	48,000	15.10	12.50	46,500	30,800	3.60	2.68	9.00	CR33-50/60	SL280DF110V60C	8329172
SL18XP1-048-230A	48,000	14.50	12.00	47,000	31,200	3.54	2.62	9.00	CR33-50/60	SLP98DF090XV60C	8329177
SL18XP1-048-230A	48,000	14.50	12.00	47,000	31,200	3.54	2.64	9.00	CR33-50/60	SLP98DF110XV60C	8329178
SL18XP1-048-230A	47,500	14.00	11.50	47,000	31,600	3.44	2.58	9.00	CR33-50/60		8329181
SL18XP1-048-230A	47,500	14.00	11.50	47,000	31,600	3.44	2.58	9.00	CR33-60		8329218
SL18XP1-048-230A	48,000	14.50	12.00	45,000	30,000	3.68	2.72	9.00	CX34-62C	EL180UH090E60C	8329182
SL18XP1-048-230A	47,500	14.50	12.00	45,000	30,000	3.66	2.70	9.50	CX34-62C	EL180UH110E60C	8329185
SL18XP1-048-230A	47,500	14.50	12.00	45,000	30,000	3.66	2.70	9.50	CX34-62C	EL180UH110XE60C	8329186
SL18XP1-048-230A	48,000	14.50	12.00	45,500	30,200	3.66	2.68	9.00	CX34-62C	EL195UH090XE48C	8329190
SL18XP1-048-230A	48,000	14.50	12.00	45,000	30,200	3.64	2.70	9.00	CX34-62C	EL195UH110XE60C	8329187
SL18XP1-048-230A	48,000	14.50	12.00	45,500	30,200	3.66	2.68	9.00	CX34-62C	EL296UH090XE48C	8329191
SL18XP1-048-230A	48,000	14.50	12.00	45,500	30,400	3.66	2.70	9.00	CX34-62C	EL296UH090XV48C	8329192
SL18XP1-048-230A	48,000	14.50	12.00	45,500	30,400	3.66	2.70	9.00	CX34-62C	EL296UH090XV60C	8329193
SL18XP1-048-230A	48,000	14.50	12.00	45,000	30,200	3.64	2.70	9.00	CX34-62C	EL296UH110XE60C	8329188
SL18XP1-048-230A	48,000	14.50	12.00	45,500	30,400	3.66	2.70	9.00	CX34-62C	EL296UH110XV48C	8329194
SL18XP1-048-230A	48,000	14.50	12.00	45,500	30,400	3.66	2.70	9.00	CX34-62C	EL296UH110XV60C	8329195
SL18XP1-048-230A	48,000	14.50	12.00	45,000	30,200	3.68	2.72	9.00	CX34-62C	SL280UH090V60C	8329183
SL18XP1-048-230A	48,000	14.50	12.00	45,000	30,200	3.68	2.72	9.00	CX34-62C	SL280UH090XV60C	8329184
SL18XP1-048-230A	48,000	14.50	12.00	45,000	30,200	3.66	2.72	9.00	CX34-62C	SL280UH110V60C	8329219
SL18XP1-048-230A	48,000	14.50	12.00	45,000	30,200	3.66	2.72	9.00	CX34-62C	SL280UH110XV60C	8329220
SL18XP1-048-230A	48,000	14.50	12.00	45,500	30,400	3.66	2.70	9.00	CX34-62C	SLP98UH090XV48C	8329221
SL18XP1-048-230A	48,000	14.50	12.00	45,500	30,400	3.66	2.70	9.00	CX34-62C	SLP98UH090XV60C	8329222
SL18XP1-048-230A	48,000	14.50	12.00	45,500	30,200	3.66	2.70	9.00	CX34-62C	SLP98UH110XV60C	8329189

**NOTES:**

Ratings are AHRI certified to AHRI Standard 210/240 (with 25 ft. of connecting refrigerant lines);

- Cooling Ratings - 95°F outdoor air temperature and 80 °F db/67° F wb entering indoor coil air.
- High Temperature Heating Ratings - 47° F db/43° F wb outdoor air temperature and 70 °F db entering indoor coil air.
- Low Temperature Heating Ratings - 17 °F db/15° F wb outdoor air temperature and 70 °F db entering indoor coil air.

All ratings include the use of a blower time delay relay (TDR). All Lennox variable-speed Furnaces and Air Handlers have time delay capabilities. Other Furnaces and Air Handlers may require an optional time delay relay (**58M81**) for field installation. See furnace or air handler specifications to determine if relay is needed.

Also see TXV Substitution Table at the beginning of the Heat Pump AHRI System Matches section.

When used with gas furnaces, a dual-fuel control, a control system with dual-fuel capabilities (LZP-2 or LZP-4), or a thermostat with dual-fuel capabilities must be used (order separately).

To convert HSPF from Region IV to Region V - Divide by 1.15.

## AHRI SYSTEM MATCHES

Model No.	Cooling Cap.	SEER	EER	Heat Capacity		Heat COP		HSPF (IV)	Coil or Air Handler	Furnace	AHRI Ref. Number
				High	Low	High	Low				
SL18XP1-048-230A	47,500	14.00	11.50	46,000	30,800	3.58	2.62	9.00	CX34-62C		8329196
SL18XP1-048-230A	48,000	15.10	12.00	45,500	30,200	3.70	2.66	9.00	CX34-62D	EL180UH135E60D	8329197
SL18XP1-048-230A	48,000	14.50	12.00	45,500	30,400	3.62	2.62	9.00	CX34-62D	EL195UH135XE60D	8329200
SL18XP1-048-230A	48,000	14.50	12.00	45,500	30,400	3.62	2.62	9.00	CX34-62D	EL296UH135XE60D	8329201
SL18XP1-048-230A	48,000	14.50	12.00	45,500	30,400	3.66	2.64	9.00	CX34-62D	EL296UH135XV60D	8329198
SL18XP1-048-230A	47,500	15.10	12.00	45,000	30,000	3.64	2.66	9.00	CX34-62D	SL280UH135V60D	8329223
SL18XP1-048-230A	48,000	14.50	12.00	45,500	30,400	3.66	2.64	9.00	CX34-62D	SLP98UH135XV60D	8329199
SL18XP1-048-230A	47,500	14.00	11.50	46,000	30,800	3.58	2.58	9.00	CX34-62D		8329202
SL18XP1-060-230A	57,000	14.50	12.00	52,000	34,600	3.62	2.60	9.00	C33-62C	EL180UH090E60C	8329005
SL18XP1-060-230A	57,000	14.50	12.00	52,000	34,600	3.60	2.60	9.00	C33-62C	EL180UH110E60C	8329008
SL18XP1-060-230A	57,000	14.50	12.00	52,000	34,600	3.60	2.60	9.00	C33-62C	EL180UH110XE60C	8329009
SL18XP1-060-230A	57,000	14.50	12.00	52,000	34,600	3.58	2.58	9.00	C33-62C	EL195UH110XE60C	8329012
SL18XP1-060-230A	57,000	14.50	12.00	52,000	34,600	3.58	2.58	9.00	C33-62C	EL296UH110XE60C	8329013
SL18XP1-060-230A	57,000	14.50	12.00	52,500	35,000	3.58	2.58	9.00	C33-62C	EL296UH110XV60C	8329014
SL18XP1-060-230A	57,000	14.50	12.00	52,500	34,600	3.64	2.60	9.00	C33-62C	SL280UH090V60C	8329006
SL18XP1-060-230A	57,000	14.50	12.00	52,500	34,600	3.64	2.60	9.00	C33-62C	SL280UH090XV60C	8329007
SL18XP1-060-230A	57,000	14.50	12.00	52,000	34,600	3.60	2.60	9.00	C33-62C	SL280UH110V60C	8329010
SL18XP1-060-230A	57,000	14.50	12.00	52,000	34,600	3.60	2.60	9.00	C33-62C	SL280UH110XV60C	8329011
SL18XP1-060-230A	57,000	14.00	11.50	53,000	35,200	3.64	2.60	9.00	C33-62C		8329015
SL18XP1-060-230A	56,000	14.50	12.00	52,000	34,400	3.54	2.54	9.00	C33-62D	EL180UH135E60D	8329017
SL18XP1-060-230A	56,000	14.50	12.00	52,500	34,800	3.52	2.52	9.00	C33-62D	EL195UH135XE60D	8329019
SL18XP1-060-230A	56,000	14.50	12.00	52,500	34,800	3.52	2.52	9.00	C33-62D	EL296UH135XE60D	8329020
SL18XP1-060-230A	55,500	15.00	12.50	51,500	34,000	3.58	2.58	9.00	C33-62D	SL280UH135V60D	8329016
SL18XP1-060-230A	56,000	14.50	12.00	52,000	34,600	3.52	2.54	9.00	C33-62D	SLP98UH135XV60D	8329018
SL18XP1-060-230A	55,500	14.00	11.50	52,500	35,000	3.50	2.54	9.00	C33-62D		8329021
SL18XP1-060-230A	56,000	14.50	12.00	53,500	35,800	3.72	2.74	9.60	CBX27UH-060		8331405
SL18XP1-060-230A	55,500	14.50	11.50	54,000	35,600	3.64	2.66	9.50	CBX32M-060		8331406
SL18XP1-060-230A	56,000	15.00	12.50	53,500	35,200	3.66	2.68	9.50	CBX32MV-060		8331407
SL18XP1-060-230A	55,500	14.50	12.00	53,500	35,200	3.66	2.70	9.50	CBX40UHV-060		8331408
SL18XP1-060-230A	56,000	14.50	12.00	54,000	36,000	3.52	2.62	9.00	CH33-49	EL180UH090E60C	8329026
SL18XP1-060-230A	56,000	14.00	12.00	54,500	36,200	3.54	2.62	9.00	CH33-49	EL180UH110E60C	8329027
SL18XP1-060-230A	56,000	14.00	12.00	54,500	36,200	3.54	2.62	9.00	CH33-49	EL180UH110XE60C	8329028
SL18XP1-060-230A	55,500	14.00	11.50	54,500	36,200	3.52	2.60	9.00	CH33-49	EL195UH110XE60C	8329029
SL18XP1-060-230A	55,500	14.00	11.50	54,000	36,000	3.48	2.60	9.00	CH33-49	EL296UH090XV60C	8657244
SL18XP1-060-230A	55,500	14.00	11.50	54,500	36,200	3.52	2.60	9.00	CH33-49	EL296UH110XE60C	8329030
SL18XP1-060-230A	56,000	14.00	11.50	54,500	36,200	3.54	2.60	9.00	CH33-49	EL296UH110XV60C	8657245
SL18XP1-060-230A	56,000	14.50	12.00	54,500	36,200	3.58	2.64	9.00	CH33-49	SL280UH090V60C	8329022
SL18XP1-060-230A	56,000	14.50	12.00	54,500	36,200	3.58	2.64	9.00	CH33-49	SL280UH090XV60C	8329023
SL18XP1-060-230A	56,000	14.50	12.00	54,500	36,000	3.56	2.62	9.00	CH33-49	SL280UH110V60C	8329024
SL18XP1-060-230A	56,000	14.50	12.00	54,500	36,000	3.56	2.62	9.00	CH33-49	SL280UH110XV60C	8329025
SL18XP1-060-230A	55,500	14.00	11.50	54,000	36,000	3.48	2.60	9.00	CH33-49	SLP98UH090XV60C	8329031
SL18XP1-060-230A	56,000	14.00	11.50	54,500	36,200	3.54	2.60	9.00	CH33-49	SLP98UH110XV60C	8329032
SL18XP1-060-230A	56,000	14.00	11.50	55,000	36,600	3.56	2.60	9.00	CH33-49		8329033
SL18XP1-060-230A	55,500	14.00	11.50	54,000	36,000	3.50	2.60	9.00	CH33-50/60C	EL180UH090E60C	8329038
SL18XP1-060-230A	55,500	14.00	11.50	54,000	36,000	3.48	2.58	9.00	CH33-50/60C	EL180UH110E60C	8329039
SL18XP1-060-230A	55,500	14.00	11.50	54,000	36,000	3.48	2.58	9.00	CH33-50/60C	EL180UH110XE60C	8329040
SL18XP1-060-230A	55,500	14.00	11.50	54,000	36,000	3.46	2.58	9.00	CH33-50/60C	EL195UH110XE60C	8329041

### NOTES:

Ratings are AHRI certified to AHRI Standard 210/240 (with 25 ft. of connecting refrigerant lines);

- Cooling Ratings - 95°F outdoor air temperature and 80 °F db/67° F wb entering indoor coil air.
- High Temperature Heating Ratings - 47° F db/43° F wb outdoor air temperature and 70 °F db entering indoor coil air.
- Low Temperature Heating Ratings - 17 °F db/15° F wb outdoor air temperature and 70 °F db entering indoor coil air.

All ratings include the use of a blower time delay relay (TDR). All Lennox variable-speed Furnaces and Air Handlers have time delay capabilities. Other Furnaces and Air Handlers may require an optional time delay relay (**58M81**) for field installation. See furnace or air handler specifications to determine if relay is needed.

Also see TXV Substitution Table at the beginning of the Heat Pump AHRI System Matches section.

When used with gas furnaces, a dual-fuel control, a control system with dual-fuel capabilities (LZP-2 or LZP-4), or a thermostat with dual-fuel capabilities must be used (order separately).

To convert HSPF from Region IV to Region V - Divide by 1.15.

## AHRI SYSTEM MATCHES

Model No.	Cooling Cap.	SEER	EER	Heat Capacity		Heat COP		HSPF (IV)	Coil or Air Handler	Furnace	AHRI Ref. Number
				High	Low	High	Low				
SL18XP1-060-230A	55,500	14.00	11.50	54,000	36,000	3.46	2.58	9.00	CH33-50/60C	EL296UH110XE60C	8329042
SL18XP1-060-230A	56,000	14.50	12.00	54,500	36,000	3.56	2.62	9.00	CH33-50/60C	SL280UH090V60C	8329034
SL18XP1-060-230A	56,000	14.50	12.00	54,500	36,000	3.56	2.62	9.00	CH33-50/60C	SL280UH090XV60C	8329035
SL18XP1-060-230A	55,500	14.50	11.50	54,000	36,000	3.52	2.62	9.00	CH33-50/60C	SL280UH110V60C	8329036
SL18XP1-060-230A	55,500	14.50	11.50	54,000	36,000	3.52	2.62	9.00	CH33-50/60C	SL280UH110XV60C	8329037
SL18XP1-060-230A	55,000	14.00	11.50	54,000	36,200	3.44	2.58	9.00	CH33-50/60C	SLP98UH090XV60C	8331724
SL18XP1-060-230A	56,000	14.00	11.50	55,000	36,600	3.56	2.62	9.00	CH33-50/60C		8329044
SL18XP1-060-230A	56,000	14.00	11.50	54,000	35,400	3.50	2.56	9.00	CH33-62D	EL180UH135E60D	8329045
SL18XP1-060-230A	56,000	14.00	11.50	54,500	35,800	3.48	2.54	9.00	CH33-62D	EL195UH135XE60D	8329048
SL18XP1-060-230A	56,000	14.00	11.50	54,500	35,800	3.48	2.54	9.00	CH33-62D	EL296UH135XE60D	8329049
SL18XP1-060-230A	56,500	14.00	11.50	54,500	35,600	3.54	2.58	9.00	CH33-62D	EL296UH135XV60D	8329046
SL18XP1-060-230A	56,000	14.50	12.00	53,500	34,800	3.54	2.60	9.00	CH33-62D	SL280UH135V60D	8329203
SL18XP1-060-230A	56,500	14.00	11.50	54,500	35,600	3.54	2.58	9.00	CH33-62D	SLP98UH135XV60D	8329047
SL18XP1-060-230A	56,000	14.00	11.50	55,000	35,800	3.52	2.56	9.00	CH33-62D		8329050
SL18XP1-060-230A	55,000	14.50	12.00	55,000	35,400	3.64	2.70	9.50	CR33-50/60	EL180DF110E60C	8329051
SL18XP1-060-230A	54,500	14.00	11.50	55,000	35,400	3.58	2.64	9.00	CR33-50/60	EL195DF110XE60C	8329053
SL18XP1-060-230A	54,500	14.00	11.50	55,000	35,400	3.58	2.64	9.00	CR33-50/60	EL296DF110XE60C	8329054
SL18XP1-060-230A	55,000	14.00	11.50	55,000	35,400	3.60	2.66	9.50	CR33-50/60	SL280DF090V60C	8329055
SL18XP1-060-230A	55,000	14.50	12.00	55,000	35,200	3.62	2.66	9.50	CR33-50/60	SL280DF110V60C	8329052
SL18XP1-060-230A	54,500	14.00	11.50	55,500	35,800	3.56	2.62	9.00	CR33-50/60		8329056
SL18XP1-060-230A	54,500	14.00	11.50	55,500	35,800	3.56	2.62	9.00	CR33-60		8329057
SL18XP1-060-230A	57,000	14.50	12.00	52,000	34,600	3.62	2.60	9.00	CX34-62C	EL180UH090E60C	8329058
SL18XP1-060-230A	57,000	14.50	12.00	52,000	34,600	3.60	2.60	9.00	CX34-62C	EL180UH110E60C	8329061
SL18XP1-060-230A	57,000	14.50	12.00	52,000	34,600	3.60	2.60	9.00	CX34-62C	EL180UH110XE60C	8329062
SL18XP1-060-230A	57,000	14.50	12.00	52,000	34,600	3.58	2.58	9.00	CX34-62C	EL195UH110XE60C	8329065
SL18XP1-060-230A	57,000	14.50	12.00	52,000	34,600	3.58	2.58	9.00	CX34-62C	EL296UH110XE60C	8329066
SL18XP1-060-230A	57,000	14.50	12.00	52,500	35,000	3.58	2.58	9.00	CX34-62C	EL296UH110XV60C	8329067
SL18XP1-060-230A	57,000	14.50	12.00	52,500	34,600	3.64	2.60	9.00	CX34-62C	SL280UH090V60C	8329059
SL18XP1-060-230A	57,000	14.50	12.00	52,500	34,600	3.64	2.60	9.00	CX34-62C	SL280UH090XV60C	8329060
SL18XP1-060-230A	57,000	14.50	12.00	52,000	34,600	3.60	2.60	9.00	CX34-62C	SL280UH110V60C	8329063
SL18XP1-060-230A	57,000	14.50	12.00	52,000	34,600	3.60	2.60	9.00	CX34-62C	SL280UH110XV60C	8329064
SL18XP1-060-230A	57,000	14.50	12.00	52,500	35,000	3.58	2.58	9.00	CX34-62C	SLP98UH110XV60C	8657246
SL18XP1-060-230A	57,000	14.00	11.50	53,000	35,200	3.64	2.60	9.00	CX34-62C		8329068
SL18XP1-060-230A	56,000	14.50	12.00	52,000	34,400	3.54	2.54	9.00	CX34-62D	EL180UH135E60D	8329070
SL18XP1-060-230A	56,000	14.50	12.00	52,500	34,800	3.52	2.52	9.00	CX34-62D	EL195UH135XE60D	8329072
SL18XP1-060-230A	56,000	14.50	12.00	52,500	34,800	3.52	2.52	9.00	CX34-62D	EL296UH135XE60D	8329073
SL18XP1-060-230A	55,500	15.00	12.50	51,500	34,000	3.58	2.58	9.00	CX34-62D	SL280UH135V60D	8329069
SL18XP1-060-230A	56,000	14.50	12.00	52,000	34,600	3.52	2.54	9.00	CX34-62D	SLP98UH135XV60D	8329071
SL18XP1-060-230A	55,500	14.00	11.50	52,500	35,000	3.50	2.54	9.00	CX34-62D		8329074

### NOTES:

Ratings are AHRI certified to AHRI Standard 210/240 (with 25 ft. of connecting refrigerant lines);

- Cooling Ratings - 95°F outdoor air temperature and 80 °F db/67° F wb entering indoor coil air.
- High Temperature Heating Ratings - 47° F db/43° F wb outdoor air temperature and 70 °F db entering indoor coil air.
- Low Temperature Heating Ratings - 17 °F db/15° F wb outdoor air temperature and 70 °F db entering indoor coil air.

All ratings include the use of a blower time delay relay (TDR). All Lennox variable-speed Furnaces and Air Handlers have time delay capabilities. Other Furnaces and Air Handlers may require an optional time delay relay (**58M81**) for field installation. See furnace or air handler specifications to determine if relay is needed.

Also see TXV Substitution Table at the beginning of the Heat Pump AHRI System Matches section.

When used with gas furnaces, a dual-fuel control, a control system with dual-fuel capabilities (LZP-2 or LZP-4), or a thermostat with dual-fuel capabilities must be used (order separately).

To convert HSPF from Region IV to Region V - Divide by 1.15.









## REVISIONS

Sections	Description of Change
Specifications	Refrigerant charge revised.
TXV Substitutions	New.



Visit us at [www.lennox.com](http://www.lennox.com)

For the latest technical information, [www.lennoxdavenet.com](http://www.lennoxdavenet.com)

Contact us at 1-800-4-LENNOX

NOTE - Due to Lennox' ongoing commitment to quality, Specifications, Ratings and Dimensions subject to change without notice and without incurring liability. Improper installation, adjustment, alteration, service or maintenance can cause property damage or personal injury. Installation and service must be performed by a qualified installer and servicing agency.

©2015 Lennox Industries, Inc.