

**AIR CONDITIONERS**



**XC20**  
**ELITE® Series**  
**Variable Capacity**

**PRODUCT SPECIFICATIONS**

Bulletin No. 210732  
November 2015  
Supersedes September 2015



**ELITE®**  
**SERIES**



**iComfort®**

So simple. So smart. So comfortable.



\* iComfort® S30  
Thermostat

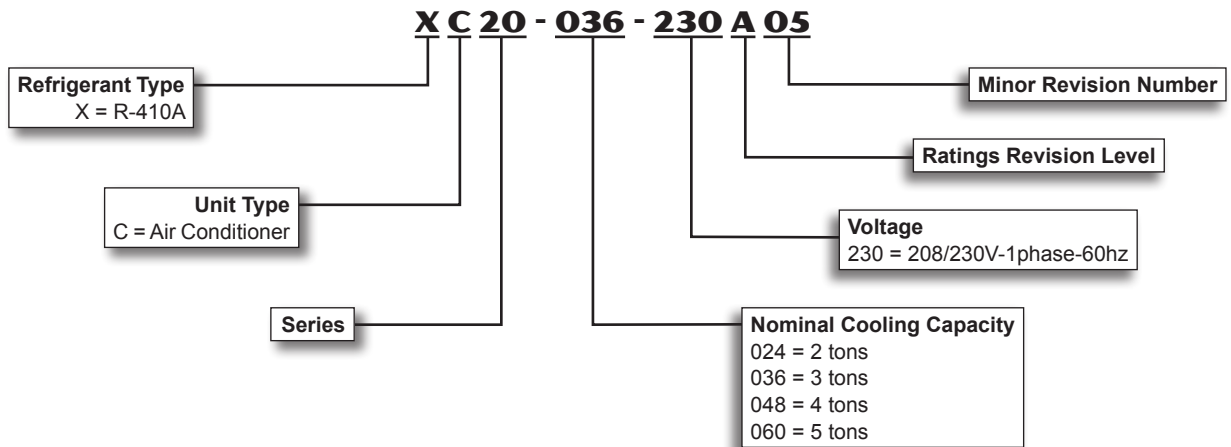


**SEER up to 20.00**

**2 to 5 Tons**

**Cooling Capacity - 23,400 to 58,500 Btuh**

**MODEL NUMBER IDENTIFICATION**



\* iComfort® S30 or iComfort Wi-Fi® Thermostat required. Not furnished - Order separately.

## FEATURES

### CONTENTS

AHRI System Matches .....	11
Dimensions .....	9
Electrical Data.....	7
Features.....	2
Field Wiring.....	8
Installation Clearances .....	8
Model Number Identification .....	1
Optional Accessories .....	7
Required Components.....	7
Sound Data.....	8
Specifications.....	7



### WARRANTY

**Compressor** - Limited warranty for **ten years** in residential installations and five years in non-residential installations.

**All other covered components** - Limited warranty for **five years** in residential installations and one year in non-residential installations.

Refer to Lennox Equipment Limited Warranty certificate included with unit for specific details.

### APPROVALS

AHRI Certified to AHRI Standard 210/240-2008.

Sound rated in Lennox reverberant sound test room in accordance with test conditions included in AHRI Standard 270-2008.

Tested in the Lennox Research Laboratory environmental test room.

Rated according to U.S. Department of Energy (DOE) test procedures.

Air conditioners and components within bonded for grounding to meet safety standards for servicing required by UL and CEC.

Units are ETL certified for the U.S. and Canada.

ISO 9001 Registered Manufacturing Quality System.

ENERGY STAR® certified units are designed to use less energy, help save money on utility bills, and help protect the environment.

### APPLICATIONS

SEER up to 20.00.

2 through 5 ton.

Single phase power supply.

Sound levels as low as 65 dB.

Vertical air discharge allows concealment behind shrubs at grade level or out of sight on a roof.

Matching add-on furnaces with indoor coils, or air handlers provide a wide range of cooling capacities and applications. See AHRI System Matches.

See Indoor Coils and Air Handlers tab sections for data.

Units shipped completely factory assembled, piped, and wired. Each unit is test operated at the factory insuring proper operation.

Installer must set air conditioner, connect refrigerant lines, and make electrical connections to complete job.

**NOTE - The XC20 can only be matched with iComfort®-enabled variable-speed indoor furnaces and air handlers.**

## FEATURES

### REFRIGERATION SYSTEM

#### R-410A Refrigerant

Non-chlorine, ozone friendly, R-410A.  
Unit pre-charged with refrigerant.  
See Specification table.



#### 1 Outdoor Coil Fan

Direct drive fan moves large air volumes uniformly through entire condenser coil for high refrigerant cooling capacity.

Vertical air discharge minimizes operating sounds and eliminates damage to lawn and shrubs.

Fan guard constructed of corrosion-resistant PVC (polyvinyl chloride) coated steel.

Fan service access accomplished by removal of fan guard.

#### Variable-Speed Outdoor Coil Fan Motor With Integrated Control

Outdoor coil fan motor with integrated control is programmed for variable capacity operation. Fan speed is directly controlled by the iComfort® communications between the outdoor unit iComfort® control and the iComfort® S30 Thermostat or iComfort Wi-Fi® Thermostat.

Fan motor is inherently protected.

Motor totally enclosed for maximum protection from weather, dust and corrosion.

#### 2 Copper Tube/Enhanced Fin Coil

Lennox designed and fabricated coil.

Ripple-edged aluminum fins.

Copper tube construction.

Lanced fins provide maximum exposure of fin surface to air stream resulting in excellent heat transfer.

Fin collars grip tubing for maximum contact area.

Flared shoulder tubing connections.

Coil is factory tested under high pressure to insure leakproof construction.

Entire coil is accessible for cleaning.

#### High Pressure Switch

Shuts off unit if abnormal operating conditions cause the discharge pressure to rise above setting.

Protects compressor from excessive condensing pressure.

Auto-reset.

#### 3 Low Pressure Switch

Shuts off unit if suction pressure falls below setting.

Provides loss of charge and freeze-up protection.

Auto-reset.

#### 4 Hi-Capacity Liquid Line Drier

Factory installed in the liquid line, the drier traps moisture or dirt that could contaminate the refrigerant system.

100% molecular-sieve bead type drier.

### Optional Accessories

#### Expansion Valve Kits

Must be ordered extra and field installed on certain indoor units. See TXV Usage table.

Chatleff style fitting.

#### Freezestat

Installs on or near the discharge line of the indoor coil or on the suction line.

Senses suction line temperature and cycles the compressor off when suction line temperature falls below its setpoint.

Opens at 29°F and closes at 58°F.

#### Refrigerant Line Kits

Refrigerant lines (suction & liquid) are shipped refrigeration clean. Lines are cleaned, dried, pressurized, and sealed at factory.

Suction line fully insulated.

L15 lines are stubbed at both ends.

See Specifications table for selection.

Not available for -060 model and must be field fabricated.

*NOTE - The XC20 is a variable capacity air conditioner utilizing variable speed compressor technology. With the variable speed compressor and variable pumping capacity, additional consideration must be given to refrigerant piping sizing and application.*

*Please refer to the Installation Instructions or Service Literature for Line Set Requirements and Refrigerant Piping Guidelines.*

## FEATURES

### **PRECISE COMFORT® TECHNOLOGY**

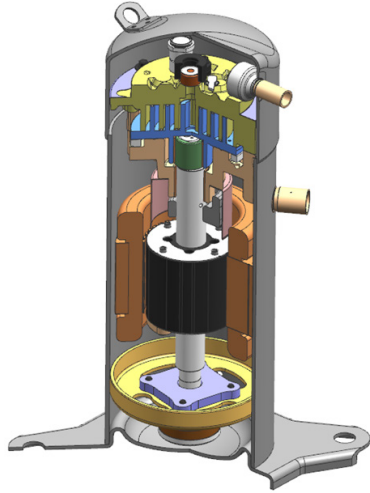
The Variable Capacity Compressor and DC Inverter Control is an integrated system that operates together to reduce overall energy usage when compared to conventional air conditioners.

#### **5 Variable Capacity Scroll Compressor**

Operates on a variable frequency determined by the DC Inverter Control to vary capacity based on the cooling load required.

Features high efficiency with uniform suction flow, constant discharge flow, high volumetric efficiency and quiet operation.

Consists of two involute spiral scrolls matched together to generate a series of crescent shaped gas pockets between them.



During compression, one scroll remains stationary while the other scroll orbits around it.

Gas is drawn into the outer pocket, the pocket is sealed as the scroll rotates.

As the spiral movement continues, gas pockets are pushed to the center of the scrolls. Volume between the pockets is simultaneously reduced. When the pocket reaches the center, gas is now at high pressure and is forced out of a port located in the center of the fixed scrolls.

During compression, several pockets are compressed simultaneously resulting in a smooth continuous compression cycle. Continuous flank contact, maintained by centrifugal force, minimizes gas leakage and maximizes efficiency.

Compressor is tolerant to the effects of slugging and contaminants. If this occurs, scrolls separate, allowing liquid or contaminants to be worked toward the center and discharged.

#### **Top Cap Thermal Sensor Switch**

Located on top of the compressor casing.

Discontinues compressor operation in case of abnormal operating conditions.

#### **Compressor Sound Dampening System**

A polyethylene compressor cover containing a 2 inch thick batt of fiberglass insulation for better sound dampening.

All open edges are sealed with a one-inch wide hook and loop fastening tape.

#### **Crankcase Heater**

Crankcase heater prevents migration of liquid refrigerant into compressor and ensures proper compressor lubrication.

#### **6 DC Inverter Control**

Converts AC line voltage into filtered variable DC voltage.

Provides continuous compressor operation, while adjusting the capacity according to indoor temperature.

Adjusts compressor output in increments as small as 1%.

The accurate sensing of cooling load prevents frequent changes in capacity and ensures efficient, economical operation.

Power Factor Correction (PFC) circuit monitors the DC bus for high, low and abnormal voltage conditions to protect the compressor.

Two LEDs (red and green) indicate inverter operating status and aid in troubleshooting.

Noise filter reduces unwanted electromagnetic interference (EMI). Integrated on the control for 024 and 036 models, external to the control for 048 and 060 models.

The inverter reactor (mounted separately) adds inductance to the line between the inverter and the compressor to limit current rise and protect the compressor.



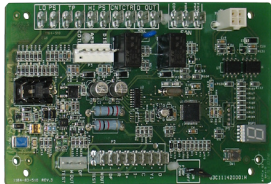


## FEATURES

### CONTROLS

#### 7 iComfort® Control

Advanced control communicates information about various operating parameters in the air conditioner to the *iComfort® S30 Thermostat* or *iComfort Wi-Fi® Thermostat* to constantly maintain the highest level of comfort, performance and efficiency available.



Auto Configuration - On start-up the control automatically sends a description of the unit to the *iComfort® S30 Thermostat* or *iComfort Wi-Fi® Thermostat* to automatically configure the features available.

Control also features:

- Seven-Segment Display shows information about outdoor unit type and capacity and also displays alerts for common fault conditions (electrical and mechanical).
- Low voltage protection prevents compressor operation when voltage is not within the specified range.
- High and low pressure switch monitoring with provisions for lockout.
- Five-Strike lockout protection protects compressor.
- Liquid line temperature and sensor monitoring.
- EEPROM storage of all local configurations.
- Non-volatile memory storage of 100 alarm codes with display of last 10 codes for troubleshooting.
- Built-in low ambient control.

#### Low Ambient Operation

The air conditioner can operate down to 0°F outdoor air temperature.

*NOTE - A freeze stat is recommended for extra protection during low ambient operation.*

#### Climate IQ™ Technology

Optimizes dehumidification settings for specific climates to improve home comfort during cooling operation.

*iComfort Wi-Fi® Thermostat* Settings:

- Dry - The system supplies higher indoor airflow at all compressor capacities, increasing efficiency by operating at a higher sensible to total ratio.
- Moderate - The system supplies indoor airflow that balances efficiency and comfort.
- Humid - The system supplies lower indoor airflow at all compressor capacities, improving humidity removal by operating at a lower sensible to total ratio.

*iComfort® S30 Thermostat* Setting:

- Climate IQ (Auto) - Dry, Normal, Basic and Humid modes are automatically set based on the difference between the measured relative humidity and the relative humidity setting.

All modes are selected on the *iComfort® S30 Thermostat* or *iComfort Wi-Fi® Thermostat*.

#### Outdoor Air Temperature Sensor

Used with iComfort®-enabled Thermostats.

Sensor is auto-detected when connected to thermostat.

### REQUIRED COMPONENTS

**NOTE - The XC20 Air Conditioner can only be used with an iComfort® S30 or iComfort Wi-Fi® Thermostat.**

#### iComfort® S30 Thermostat (part of the iComfort® Residential Communicating Control System)

The *iComfort® S30 Thermostat* recognizes and connects to all iComfort®-enabled products to automatically configure and control the heating/cooling system (based on user-specified settings) for the highest level of comfort, performance and efficiency. Also recognizes model and serial number information for iComfort®-enabled products to simplify system setup.



Wi-Fi remote temperature monitoring and adjustment through a home wireless network for desktop PCs, laptops and apps for smartphones or tablets. Also displays service alerts and reminders.

Dealer Dashboard features online real-time monitoring of installed iComfort® systems.

A simple easy-to-use touchscreen allows complete system configuration. Scheduled maintenance alerts, system warnings and troubleshooting are also displayed on thermostat screen.

Easy to read 7 in. high definition color display (measured diagonally).

Installer setup screens allow quick and simple system configuration without a manual, Installer can also run tests on complete system or individual components for easy maintenance and troubleshooting.

Serial communications bus (RSBus), with less wiring than a conventional heating/cooling system, allows system communication. Uses 4-wire, 18-gauge standard thermostat wiring.

Remote outdoor temperature sensor (furnished with outdoor unit) allows the thermostat to display outdoor temperature. Required in *Humiditrol®* applications.

High Definition Color Display, Mag-Mount, Smart Hub Controller, wallplate (for retrofit installations) furnished for easy installation.

See the *iComfort® S30 Thermostat* Product Specifications bulletin in the Controls section for more information.

## FEATURES

### REQUIRED COMPONENTS (continued)

#### iComfort Wi-Fi® Thermostat (part of the iComfort® Residential Communicating Control System)

The *iComfort Wi-Fi® Thermostat* recognizes and connects to all iComfort®-enabled products to automatically configure and control the heating/cooling system (based on user-specified settings) for the highest level of comfort, performance and efficiency. Also



recognizes model and serial number information for iComfort®-enabled products to simplify system setup.

Wi-Fi remote temperature monitoring and adjustment through a home wireless network for desktop PCs, laptops and apps for smartphones or tablets. Also displays service alerts and reminders.

Dealer Dashboard features online real-time monitoring of installed iComfort® systems.

A simple easy-to-use touchscreen allows complete system configuration. Scheduled maintenance alerts, system warnings and troubleshooting are also displayed on thermostat screen.

Easy to read 7-inch color screen (measured diagonally).

Installer setup screens allow quick and simple system configuration without a manual, Installer can also run tests on complete system or individual components for easy maintenance and troubleshooting.

Serial communications bus (RSBus), with less wiring than a conventional heating/cooling system, allows system communication. Uses 4-wire, 18-gauge standard thermostat wiring.

Remote outdoor temperature sensor (furnished with outdoor unit) allows the thermostat to display outdoor temperature. Required in *Humiditrol®* applications.

See the *iComfort Wi-Fi® Thermostat* Product Specifications bulletin in the Controls section for more information.

### CABINET

- 8 Heavy-gauge steel construction  
Pre-painted cabinet finish.  
Control box is conveniently located with all controls factory wired.  
Large removable panel provides service access.  
Drainage holes are provided in base section for moisture removal.  
High density polyethylene unit support feet raise the unit off of the mounting surface, away from damaging moisture.

#### PermaGuard™ Unit Base

Durable zinc-coated base section resists rust and corrosion.

- 9 **SmarterHinge™ Louvered Coil Protection**

Steel louvered panels provides complete coil protection. Panels are hinged to allow easy cleaning and servicing of coils. Panels may be completely removed. Interlocking tabs and slots assure tight fit on cabinet.



- 10 **Refrigerant Line Connections, Electrical Inlets and Service Valves**

Suction and liquid lines are located on corner of unit cabinet and are made with sweat connections. See dimension drawing.

Fully serviceable brass service valves prevent corrosion and provide access to refrigerant system. Suction valve can be fully shut off, while liquid valve may be front seated to manage refrigerant charge while servicing system.

Refrigerant line connections and field wiring inlets are located in one central area of the cabinet. See dimension drawing.

## SPECIFICATIONS

General Data		Model No.	XC20-024	XC20-036	XC20-048	XC20-060	
		Nominal Tonnage	2	3	4	5	
Connections (sweat)	Liquid line (o.d.) - in.		3/8	3/8	3/8	3/8	
	Suction line (o.d.) - in.		3/4	7/8	7/8	1-1/8	
Refrigerant		<sup>1</sup> R-410A charge furnished	7 lbs. 5 oz.	8 lbs. 6 oz.	10 lbs. 7 oz.	12 lbs. 1 oz.	
Outdoor Coil	Net face area - sq. ft.		Outer coil 24.50	16.33	21.00	29.09	
			Inner coil - - -	15.76	20.27	28.24	
			Tube diameter - in.	5/16	5/16	5/16	5/16
			No. of rows	1	2	2	2
			Fins per inch	26	22	22	22
Outdoor Fan	Diameter - in.		22	22	22	26	
	No. of blades		4	4	4	3	
	Motor hp		1/6	1/4	1/3	1/3	
	Cfm - minimum speed		1500	3100	3000	2900	
	maximum speed		2600	3600	4000	4325	
	Rpm - minimum speed		400	600	600	600	
	maximum speed		700	700	800	865	
	Watts - minimum speed		25	80	70	80	
	maximum speed		60	115	160	195	
Shipping Data - lbs. 1 pkg.			243	241	287	321	

## ELECTRICAL DATA

Line voltage data - 60hz	208/230V-1ph	208/230V-1ph	208/230V-1ph	208/230V-1ph	
<sup>2</sup> Maximum overcurrent protection (amps)	30	30	50	50	
<sup>3</sup> Minimum circuit ampacity	19.1	20.6	29.1	29.3	
Compressor	Rated load amps	13.0	14.2	21.0	
	Locked rotor amps	13.0	13.0	20.0	
	Power factor	.98	.99	.99	.99
Outdoor Fan Motor	Full load amps	2.8	2.8	2.8	2.8

## REQUIRED COMPONENTS - ORDER SEPARATELY

iComfort® S30 Thermostat	12U67	•	•	•	•
iComfort Wi-Fi® Thermostat	10F81	•	•	•	•
<sup>4</sup> Discharge Air Temperature Sensor	88K38	•	•	•	•

## OPTIONAL ACCESSORIES - ORDER SEPARATELY

<sup>5</sup> Freezestat	3/8 in. tubing	93G35	•	•	•	•
	5/8 in. tubing	50A93	•	•	•	•
<sup>6</sup> Refrigerant Line Sets	L15-41-20	L15-41-40	•			
	L15-41-30	L15-41-50				
	L15-65-30	L15-65-40		•	•	
		L15-65-50				
	Field Fabricate					•

NOTE - Extremes of operating range are plus 10% and minus 5% of line voltage.

<sup>1</sup> Refrigerant charge sufficient for 15 ft. length of refrigerant lines. For longer line set requirements see the Installation Instructions for information about line set length and additional refrigerant charge required.

<sup>2</sup> HACR type breaker or fuse.

<sup>3</sup> Refer to National or Canadian Electrical Code manual to determine wire, fuse and disconnect size requirements.

<sup>4</sup> Used with the iComfort® S30 and iComfort Wi-Fi® Thermostats for optional service diagnostics.

<sup>5</sup> Freezestat is recommended for low ambient operation.

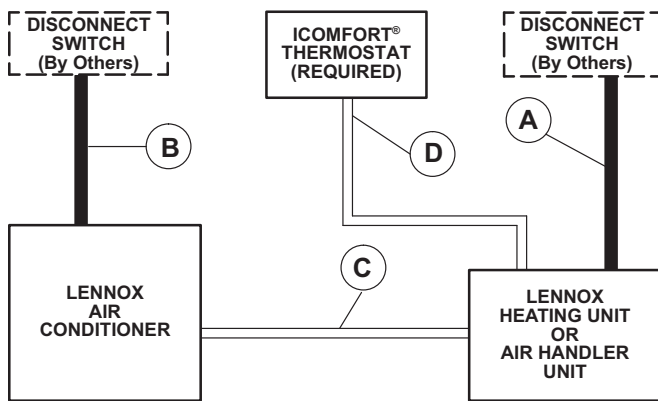
<sup>6</sup> Refer to the Installation Instructions or Service Literature for Line Set Requirements and Refrigerant Piping Guidelines.

## SOUND DATA

Unit Model	Operation	Octave Band Linear Sound Power Levels dB, re 10 <sup>-12</sup> Watts - Center Frequency - Hz								1 Sound Rating Number (SRN) (dBA)
		63	125	250	500	1000	2000	4000	8000	
024	Min.	73	67	62	54	55	52	53	62	65
	Max.	74	67	64	63	61	56	64	64	72
036	Min.	73	67	63	62	58	52	55	65	67
	Max.	72	67	65	66	64	60	68	63	75
048	Min.	73	67	63	63	58	53	50	64	68
	Max.	74	70	68	71	67	62	60	66	77
060	Min.	72	66	62	64	58	53	51	61	69
	Max.	75	70	69	72	69	61	58	62	77

<sup>1</sup> Sound Rating Number according to ANSI/AHR1 Standard 270-2008. "SRN" is the overall A-Weighted Sound Power Level, (LWA), dB (100 Hz to 10,000 Hz).

## FIELD WIRING



A - Two Wire Power (not furnished)

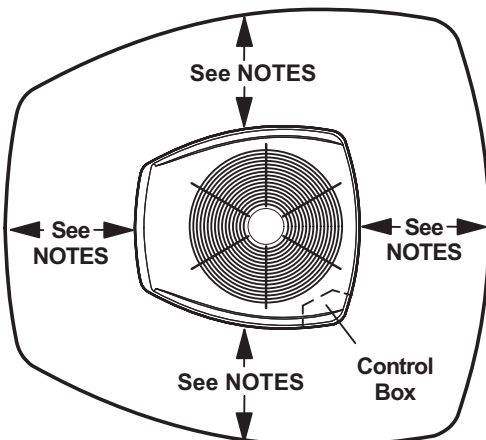
B - Two Power (not furnished) See Electrical Data

C - Four Wire Low Voltage RSBUS (not furnished) 18 ga. minimum

D - Four Wire Low Voltage RSBUS (not furnished) 18 ga. minimum

*All wiring must conform to NEC or CEC and local electrical codes.*

## INSTALLATION CLEARANCES - INCHES (MM)



### NOTES:

Service clearance of 30 in. (762 mm) must be maintained on one of the sides adjacent to the control box.

Clearance to one of the other three sides must be 36 in. (914 mm)

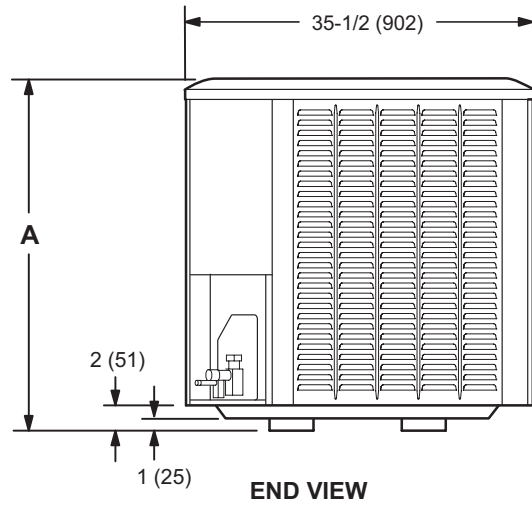
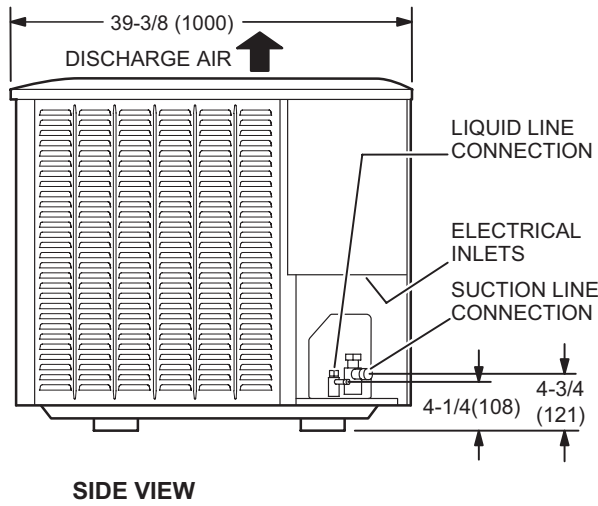
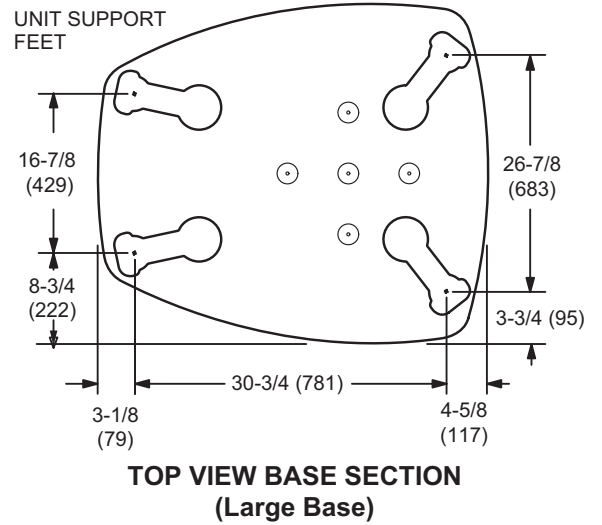
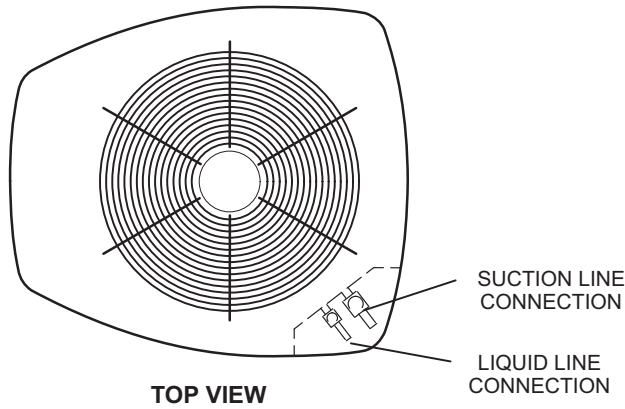
Clearance to one of the remaining two sides may be 12 in. (305 mm) and the final side may be 6 in. (152 mm).

A clearance of 24 in. (610 mm) must be maintained between two units.

48 in. (1219 mm) clearance required on top of unit.



**DIMENSIONS - INCHES (MM)**



Model No.	A	
	in.	mm
XC20-024	39	991
XC20-036	39	991
XC20-048	45	1143
XC20-060	45	1143

## TXV USAGE

Use this table for C33, CH23, CH33, CH35 and CR33 Field Installed TXV Match-Ups

Outdoor Unit Model No.	Order No.
XC20-024	<b>12J18</b>
XC20-036	<b>12J19</b>
XC20-048	<b>12J20</b>
XC20-060	<b>12J20</b>

CX34 upflow coils and all Lennox air handlers are shipped with a factory installed TXV. In most cases, no change out of the valve is needed.

C33, CH33 and CH35 coils - Factory installed orifice must be replaced with the expansion valve listed.

CR33 and CH23 coils - Use the expansion valve listed.

## MOST POPULAR MATCHES

Outdoor Unit Model No.	Indoor Unit Model No
XC20-024	CBX32MV-024/030
XC20-036	CBX32MV-036
XC20-048	CBX32MV-048
XC20-060	CBX32MV-060

## AHRI STANDARD 210/240

Cooling or heating capacities are net values, including the effects of blower motor heat, and do not include supplementary heat. Power input is the total power input to the compressor(s) and fan(s), plus any controls and other items required as part of the system for normal operation.

Units which do not have an indoor air-circulating blower furnished as part of the model, i.e., split system with indoor coil only, is established by subtracting from the total cooling capacity 1250 Btu/h per 1,000 cfm, and by adding the same amount to the heating capacity. Total power input for both heating and cooling is increased by 365 W per 1,000 cfm of indoor air circulated.

## AHRI SYSTEM MATCHES

NOTE - For the latest up-to-date system matches please visit the AHRI web site at <http://www.ahridirectory.org>

Model No.	Expansion Device	Capacity	SEER	EER	Coil or Air Handler	Furnace	AHRI Reference
XC20-024-230A	TXV	24,000	20.00	14.00	C33-31A	SL280UH070V36A	8510309
XC20-024-230A	TXV	24,000	20.00	14.00	C33-31A	SL280UH070XV36A	8085659
XC20-024-230A	TXV	24,000	20.00	14.00	C33-31B	EL296UH045XV36B	8085664
XC20-024-230A	TXV	24,000	20.00	14.50	C33-31B	EL296UH070XV36B	8085666
XC20-024-230A	TXV	24,000	20.00	14.50	C33-31B	SL280UH090V36B	8085667
XC20-024-230A	TXV	24,000	20.00	14.50	C33-31B	SL280UH090XV36B	8510311
XC20-024-230A	TXV	24,000	20.00	14.50	C33-31B	SLP98UH070XV36B	8085669
XC20-024-230A	TXV	23,800	20.00	14.00	C33-36	SLP98UH090XV36C	8085671
XC20-024-230A	TXV	24,000	20.00	14.50	C33-38A	SL280UH070V36A	8510312
XC20-024-230A	TXV	24,000	20.00	14.50	C33-38A	SL280UH070XV36A	8085675
XC20-024-230A	TXV	24,000	20.00	14.50	C33-38B	EL296UH045XV36B	8085680
XC20-024-230A	TXV	24,000	20.00	14.50	C33-38B	EL296UH070XV36B	8085682
XC20-024-230A	TXV	24,000	20.00	14.50	C33-38B	SL280UH090V36B	8085683
XC20-024-230A	TXV	24,000	20.00	14.50	C33-38B	SL280UH090XV36B	8510313
XC20-024-230A	TXV	24,000	20.00	14.50	C33-38B	SLP98UH070XV36B	8085685
XC20-024-230A	TXV	23,800	20.00	14.00	C35-30/36C	SLP98UH090XV36C	8462425
XC20-024-230A	TXV	24,000	20.00	14.00	C35-30A	SL280UH070V36A	8510314
XC20-024-230A	TXV	24,000	20.00	14.00	C35-30A	SL280UH070XV36A	8462418
XC20-024-230A	TXV	24,000	20.00	14.00	C35-30B	EL296UH045XV36B	8462421
XC20-024-230A	TXV	24,000	20.00	14.50	C35-30B	EL296UH070XV36B	8462422
XC20-024-230A	TXV	24,000	20.00	14.50	C35-30B	SL280UH090V36B	8510316
XC20-024-230A	TXV	24,000	20.00	14.50	C35-30B	SL280UH090XV36B	8462423
XC20-024-230A	TXV	24,000	20.00	14.50	C35-30B	SLP98UH070XV36B	8462424
XC20-024-230A	TXV	24,000	20.00	14.50	C35-36B	EL296UH045XV36B	8462431
XC20-024-230A	TXV	24,000	20.00	14.50	C35-36B	EL296UH070XV36B	8462432
XC20-024-230A	TXV	24,000	20.00	14.50	C35-36B	SL280UH090V36B	8462433
XC20-024-230A	TXV	24,000	20.00	14.50	C35-36B	SL280UH090XV36B	8510319
XC20-024-230A	TXV	24,000	20.00	14.50	C35-36B	SLP98UH070XV36B	8462434
XC20-024-230A	TXV	24,000	20.00	14.00	CBX32MV-024/030		8085686
XC20-024-230A	TXV	24,000	20.00	14.50	CBX32MV-036		8085688
XC20-024-230A	TXV	24,000	20.00	14.00	CBX40UHV-024		8085690
XC20-024-230A	TXV	24,000	20.00	14.00	CBX40UHV-030		8085691
XC20-024-230A	TXV	23,800	20.00	14.00	CH23-51	EL296UH045XV36B	8085693
XC20-024-230A	TXV	23,800	20.00	14.00	CH23-51	EL296UH070XV36B	8085694
XC20-024-230A	TXV	23,800	20.00	14.00	CH23-51	SL280UH070V36A	8085696
XC20-024-230A	TXV	23,800	20.00	14.00	CH23-51	SL280UH070XV36A	8510320
XC20-024-230A	TXV	24,000	20.00	14.00	CH23-51	SL280UH090V36B	8085698
XC20-024-230A	TXV	24,000	20.00	14.00	CH23-51	SL280UH090XV36B	8510321
XC20-024-230A	TXV	23,800	20.00	14.00	CH23-51	SLP98UH070XV36B	8085699
XC20-024-230A	TXV	23,400	20.00	13.50	CH33-19	SL280UH070V36A	8510322
XC20-024-230A	TXV	23,400	20.00	13.50	CH33-19	SL280UH070XV36A	8085701
XC20-024-230A	TXV	24,000	20.00	14.50	CH33-31B	EL296UH045XV36B	8085702
XC20-024-230A	TXV	24,000	20.00	14.50	CH33-31B	EL296UH070XV36B	8085704
XC20-024-230A	TXV	24,000	20.00	14.50	CH33-31B	SL280UH090V36B	8085706
XC20-024-230A	TXV	24,000	20.00	14.50	CH33-31B	SL280UH090XV36B	8510323
XC20-024-230A	TXV	24,000	20.00	14.50	CH33-31B	SLP98UH070XV36B	8085707
XC20-024-230A	TXV	24,000	20.00	14.00	CH33-42B	EL296UH045XV36B	8085710

Ratings AHRI Certified to AHRI Standard 210/240 (with 25 ft. of connecting refrigerant lines); 95°F outdoor air temperature, 80°F db / 67°F wb entering evaporator air. All ratings include the use of a blower time delay relay (TDR). All Lennox variable-speed furnaces and Air Handlers have time delay capabilities. Other Furnaces and Air Handlers may require an optional time delay relay (**58M81**) for field installation. See furnace or air handler specifications to determine if relay is needed. Also see Expansion Valve Kit Usage Table.

## AHRI SYSTEM MATCHES

NOTE - For the latest up-to-date system matches please visit the AHRI web site at <http://www.ahridirectory.org>

Model No.	Expansion Device	Capacity	SEER	EER	Coil or Air Handler	Furnace	AHRI Reference
XC20-024-230A	TXV	24,000	20.00	14.00	CH33-42B	EL296UH070XV36B	8085711
XC20-024-230A	TXV	24,000	20.00	14.50	CH33-42B	SL280UH090V36B	8085713
XC20-024-230A	TXV	24,000	20.00	14.50	CH33-42B	SL280UH090XV36B	8510324
XC20-024-230A	TXV	24,000	20.00	14.00	CH33-42B	SLP98UH070XV36B	8085715
XC20-024-230A	TXV	24,000	20.00	14.50	CH33-43C	EL296UH090XV36C	8085717
XC20-024-230A	TXV	24,000	20.00	14.50	CH33-43C	SLP98UH090XV36C	8085719
XC20-024-230A	TXV	24,000	20.00	14.50	CH35-30B	EL296UH045XV36B	8085720
XC20-024-230A	TXV	24,000	20.00	14.50	CH35-30B	EL296UH070XV36B	8085722
XC20-024-230A	TXV	24,000	20.00	14.50	CH35-30B	SL280UH090V36B	8085723
XC20-024-230A	TXV	24,000	20.00	14.50	CH35-30B	SL280UH090XV36B	8510325
XC20-024-230A	TXV	24,000	20.00	14.50	CH35-30B	SLP98UH070XV36B	8085725
XC20-024-230A	TXV	24,000	20.00	14.50	CH35-42C	EL296UH045XV36B	8085727
XC20-024-230A	TXV	24,000	20.00	14.50	CH35-42C	SLP98UH090XV36C	8085728
XC20-024-230A	TXV	24,000	20.00	14.00	CR33-48B	EL296DF045XV36B	8085730
XC20-024-230A	TXV	24,000	20.00	14.00	CR33-48B	EL296DF070XV48B	8085731
XC20-024-230A	TXV	24,000	20.00	14.00	CR33-48B	SL280DF090V48B	8085733
XC20-024-230A	TXV	24,000	20.00	14.00	CR33-48B	SL280DF090XV48B	8510326
XC20-024-230A	TXV	24,000	20.00	14.00	CR33-48B	SLP98DF070XV36B	8085735
XC20-024-230A	TXV	24,000	20.00	14.00	CR33-48C	SLP98DF090XV36C	8085736
XC20-024-230A	TXV	24,000	20.00	14.00	CX34-31A	SL280UH070V36A	8510327
XC20-024-230A	TXV	24,000	20.00	14.00	CX34-31A	SL280UH070XV36A	8085741
XC20-024-230A	TXV	24,000	20.00	14.00	CX34-31B	EL296UH045XV36B	8085746
XC20-024-230A	TXV	24,000	20.00	14.50	CX34-31B	EL296UH070XV36B	8085747
XC20-024-230A	TXV	24,000	20.00	14.50	CX34-31B	SL280UH090V36B	8085749
XC20-024-230A	TXV	24,000	20.00	14.50	CX34-31B	SL280UH090XV36B	8510329
XC20-024-230A	TXV	24,000	20.00	14.50	CX34-31B	SLP98UH070XV36B	8085750
XC20-024-230A	TXV	23,800	20.00	14.00	CX34-36	SLP98UH090XV36C	8085752
XC20-024-230A	TXV	24,000	20.00	14.50	CX34-38A	SL280UH070V36A	8085757
XC20-024-230A	TXV	24,000	20.00	14.50	CX34-38A	SL280UH070XV36A	8510330
XC20-024-230A	TXV	24,000	20.00	14.50	CX34-38B	EL296UH045XV36B	8085762
XC20-024-230A	TXV	24,000	20.00	14.50	CX34-38B	EL296UH070XV36B	8085763
XC20-024-230A	TXV	24,000	20.00	14.50	CX34-38B	SL280UH090V36B	8085765
XC20-024-230A	TXV	24,000	20.00	14.50	CX34-38B	SL280UH090XV36B	8510332
XC20-024-230A	TXV	24,000	20.00	14.50	CX34-38B	SLP98UH070XV36B	8085766
XC20-024-230A	TXV	23,800	20.00	14.00	CX35-30/36C	SLP98UH090XV36C	8463548
XC20-024-230A	TXV	24,000	20.00	14.00	CX35-30A	SL280UH070V36A	8510334
XC20-024-230A	TXV	24,000	20.00	14.00	CX35-30A	SL280UH070XV36A	8463541
XC20-024-230A	TXV	24,000	20.00	14.00	CX35-30B	EL296UH045XV36B	8463544
XC20-024-230A	TXV	24,000	20.00	14.50	CX35-30B	EL296UH070XV36B	8463545
XC20-024-230A	TXV	24,000	20.00	14.50	CX35-30B	SL280UH090V36B	8463546
XC20-024-230A	TXV	24,000	20.00	14.50	CX35-30B	SL280UH090XV36B	8510335
XC20-024-230A	TXV	24,000	20.00	14.50	CX35-30B	SLP98UH070XV36B	8463547
XC20-024-230A	TXV	24,000	20.00	14.50	CX35-36A	SL280UH070V36A	8463551
XC20-024-230A	TXV	24,000	20.00	14.50	CX35-36A	SL280UH070XV36A	8510336
XC20-024-230A	TXV	24,000	20.00	14.50	CX35-36B	EL296UH045XV36B	8463554
XC20-024-230A	TXV	24,000	20.00	14.50	CX35-36B	EL296UH070XV36B	8463555
XC20-024-230A	TXV	24,000	20.00	14.50	CX35-36B	SL280UH090V36B	8463556

Ratings AHRI Certified to AHRI Standard 210/240 (with 25 ft. of connecting refrigerant lines); 95°F outdoor air temperature, 80°F db / 67°F wb entering evaporator air.

All ratings include the use of a blower time delay relay (TDR). All Lennox variable-speed furnaces and Air Handlers have time delay capabilities. Other Furnaces and Air Handlers may require an optional time delay relay (58M81) for field installation. See furnace or air handler specifications to determine if relay is needed.

Also see Expansion Valve Kit Usage Table.



## AHRI SYSTEM MATCHES

NOTE - For the latest up-to-date system matches please visit the AHRI web site at <http://www.ahridirectory.org>

Model No.	Expansion Device	Capacity	SEER	EER	Coil or Air Handler	Furnace	AHRI Reference
XC20-024-230A	TXV	24,000	20.00	14.50	CX35-36B	SL280UH090XV36B	8510338
XC20-024-230A	TXV	24,000	20.00	14.50	CX35-36B	SLP98UH070XV36B	8463557
XC20-036-230A	TXV	33,600	20.00	12.75	C33-36	SLP98UH070XV36B	8100010
XC20-036-230A	TXV	33,600	20.00	13.00	C33-36	SLP98UH090XV36C	8100012
XC20-036-230A	TXV	34,800	20.00	13.00	C33-38	EL296UH045XV36B	8100018
XC20-036-230A	TXV	35,000	20.00	13.00	C33-38	EL296UH070XV36B	8100020
XC20-036-230A	TXV	35,000	20.00	13.00	C33-38	SL280UH070V36A	8100014
XC20-036-230A	TXV	35,000	20.00	13.00	C33-38	SL280UH070XV36A	8100016
XC20-036-230A	TXV	35,200	20.00	13.50	C33-38	SL280UH090V36B	8100021
XC20-036-230A	TXV	35,000	20.00	13.50	C33-38	SL280UH090V48B	8100023
XC20-036-230A	TXV	35,200	20.00	13.50	C33-38	SL280UH090XV36B	8510339
XC20-036-230A	TXV	35,000	20.00	13.50	C33-38	SL280UH090XV48B	8100025
XC20-036-230A	TXV	35,000	20.00	13.00	C33-38	SLP98UH070XV36B	8100027
XC20-036-230A	TXV	34,800	20.00	13.50	C33-43	EL296UH110XV60C	8100070
XC20-036-230A	TXV	35,200	20.00	13.00	C33-43B	EL296UH045XV36B	8100028
XC20-036-230A	TXV	35,200	20.00	13.00	C33-43B	EL296UH070XV36B	8100030
XC20-036-230A	TXV	35,400	20.00	14.00	C33-43B	SL280UH090V36B	8100032
XC20-036-230A	TXV	35,400	20.00	14.00	C33-43B	SL280UH090V48B	8100034
XC20-036-230A	TXV	35,400	20.00	14.00	C33-43B	SL280UH090XV36B	8510340
XC20-036-230A	TXV	35,400	20.00	14.00	C33-43B	SL280UH090XV48B	8100036
XC20-036-230A	TXV	35,200	20.00	13.50	C33-43B	SLP98UH070XV36B	8100038
XC20-036-230A	TXV	35,400	20.00	13.50	C33-43C	EL296UH090XV36C	8100040
XC20-036-230A	TXV	35,400	20.00	14.00	C33-43C	EL296UH090XV48C	8100042
XC20-036-230A	TXV	35,400	20.00	14.00	C33-43C	EL296UH110XV48C	8100044
XC20-036-230A	TXV	35,400	20.00	14.00	C33-43C	EL296UH110XV60C	8100046
XC20-036-230A	TXV	35,400	20.00	13.50	C33-43C	SLP98UH090XV36C	8100048
XC20-036-230A	TXV	35,400	20.00	14.00	C33-43C	SLP98UH090XV48C	8100050
XC20-036-230A	TXV	35,600	20.00	14.00	C33-43C	SLP98UH090XV60C	8703415
XC20-036-230A	TXV	35,400	20.00	14.00	C33-43C	SLP98UH110XV60C	8100052
XC20-036-230A	TXV	34,600	20.00	13.00	C33-48	EL296UH045XV36B	8100054
XC20-036-230A	TXV	34,600	20.00	13.00	C33-48	EL296UH070XV36B	8100056
XC20-036-230A	TXV	34,800	20.00	13.50	C33-48	EL296UH090XV36C	8100065
XC20-036-230A	TXV	34,800	20.00	13.50	C33-48	EL296UH090XV48C	8100068
XC20-036-230A	TXV	34,800	20.00	13.50	C33-48	SL280UH090V36B	8100058
XC20-036-230A	TXV	34,800	20.00	13.50	C33-48	SL280UH090V48B	8100060
XC20-036-230A	TXV	34,800	20.00	13.50	C33-48	SL280UH090XV36B	8510341
XC20-036-230A	TXV	34,800	20.00	13.50	C33-48	SL280UH090XV48B	8100062
XC20-036-230A	TXV	34,600	20.00	13.00	C33-48	SLP98UH070XV36B	8100063
XC20-036-230A	TXV	34,800	20.00	13.50	C33-48	SLP98UH090XV36C	8100072
XC20-036-230A	TXV	34,800	20.00	13.50	C33-48	SLP98UH090XV48C	8100074
XC20-036-230A	TXV	34,800	20.00	13.50	C33-48	SLP98UH110XV60C	8100076
XC20-036-230A	TXV	35,200	20.00	13.50	C33-50/60C	EL296UH090XV36C	8100078
XC20-036-230A	TXV	35,200	20.00	13.50	C33-50/60C	EL296UH090XV48C	8100080
XC20-036-230A	TXV	35,200	20.00	13.50	C33-50/60C	SLP98UH090XV36C	8100081
XC20-036-230A	TXV	35,200	20.00	13.50	C33-50/60C	SLP98UH090XV48C	8100083
XC20-036-230A	TXV	33,600	20.00	12.75	C35-30/36B	SLP98UH070XV36B	8462435
XC20-036-230A	TXV	33,600	20.00	13.00	C35-30/36C	SLP98UH090XV36C	8462436

Ratings AHRI Certified to AHRI Standard 210/240 (with 25 ft. of connecting refrigerant lines); 95°F outdoor air temperature, 80°F db / 67°F wb entering evaporator air.

All ratings include the use of a blower time delay relay (TDR). All Lennox variable-speed furnaces and Air Handlers have time delay capabilities. Other Furnaces and Air Handlers may require an optional time delay relay (**58M81**) for field installation. See furnace or air handler specifications to determine if relay is needed.

Also see Expansion Valve Kit Usage Table.

## AHRI SYSTEM MATCHES

NOTE - For the latest up-to-date system matches please visit the AHRI web site at <http://www.ahridirectory.org>

Model No.	Expansion Device	Capacity	SEER	EER	Coil or Air Handler	Furnace	AHRI Reference
XC20-036-230A	TXV	35,000	20.00	13.00	C35-36A	SL280UH070V36A	8462437
XC20-036-230A	TXV	35,000	20.00	13.00	C35-36A	SL280UH070XV36A	8462438
XC20-036-230A	TXV	34,800	20.00	13.00	C35-36B	EL296UH045XV36B	8462439
XC20-036-230A	TXV	35,000	20.00	13.00	C35-36B	EL296UH070XV36B	8462440
XC20-036-230A	TXV	35,200	20.00	13.50	C35-36B	SL280UH090V36B	8462441
XC20-036-230A	TXV	35,000	20.00	13.50	C35-36B	SL280UH090V48B	8462442
XC20-036-230A	TXV	35,200	20.00	13.50	C35-36B	SL280UH090XV36B	8510348
XC20-036-230A	TXV	35,000	20.00	13.50	C35-36B	SL280UH090XV48B	8462443
XC20-036-230A	TXV	35,000	20.00	13.00	C35-36B	SLP98UH070XV36B	8462444
XC20-036-230A	TXV	35,200	20.00	13.00	C35-48B	EL296UH045XV36B	8462445
XC20-036-230A	TXV	35,200	20.00	13.00	C35-48B	EL296UH070XV36B	8462446
XC20-036-230A	TXV	35,400	20.00	14.00	C35-48B	SL280UH090V36B	8510349
XC20-036-230A	TXV	35,400	20.00	14.00	C35-48B	SL280UH090V48B	8462448
XC20-036-230A	TXV	35,400	20.00	14.00	C35-48B	SL280UH090XV36B	8462447
XC20-036-230A	TXV	35,400	20.00	14.00	C35-48B	SL280UH090XV48B	8462449
XC20-036-230A	TXV	35,200	20.00	13.50	C35-48B	SLP98UH070XV36B	8462450
XC20-036-230A	TXV	35,400	20.00	13.50	C35-48C	EL296UH090XV36C	8462451
XC20-036-230A	TXV	35,400	20.00	14.00	C35-48C	EL296UH090XV48C	8462452
XC20-036-230A	TXV	35,400	20.00	14.00	C35-48C	EL296UH110XV48C	8462453
XC20-036-230A	TXV	35,400	20.00	14.00	C35-48C	EL296UH110XV60C	8462454
XC20-036-230A	TXV	35,400	20.00	14.00	C35-48C	SLP98UH090XV36C	8462455
XC20-036-230A	TXV	35,400	20.00	14.00	C35-48C	SLP98UH090XV48C	8462456
XC20-036-230A	TXV	35,400	20.00	14.00	C35-48C	SLP98UH110XV60C	8462457
XC20-036-230A	TXV	35,200	20.00	13.50	C35-50/60C	EL296UH090XV36C	8462458
XC20-036-230A	TXV	35,200	20.00	13.50	C35-50/60C	EL296UH090XV48C	8462459
XC20-036-230A	TXV	35,200	20.00	13.50	C35-50/60C	SLP98UH090XV36C	8462460
XC20-036-230A	TXV	35,200	20.00	13.50	C35-50/60C	SLP98UH090XV48C	8462461
XC20-036-230A	TXV	34,400	20.00	13.00	CBX32MV-036		8100085
XC20-036-230A	TXV	34,600	20.00	13.50	CBX40UHV-036		8100087
XC20-036-230A	TXV	33,800	20.00	13.00	CH23-51	EL296UH045XV36B	8100088
XC20-036-230A	TXV	33,800	20.00	13.00	CH23-51	EL296UH070XV36B	8100090
XC20-036-230A	TXV	33,800	20.00	13.00	CH23-51	EL296UH090XV36C	8100092
XC20-036-230A	TXV	34,000	20.00	13.00	CH23-51	EL296UH090XV48C	8100094
XC20-036-230A	TXV	34,000	20.00	13.00	CH23-51	SL280UH090V36B	8100096
XC20-036-230A	TXV	34,000	20.00	13.00	CH23-51	SL280UH090V48B	8100098
XC20-036-230A	TXV	34,000	20.00	13.00	CH23-51	SL280UH090XV36B	8510342
XC20-036-230A	TXV	34,000	20.00	13.00	CH23-51	SL280UH090XV48B	8100099
XC20-036-230A	TXV	33,800	20.00	13.00	CH23-51	SLP98UH070XV36B	8100101
XC20-036-230A	TXV	34,000	20.00	13.00	CH23-51	SLP98UH090XV36C	8100103
XC20-036-230A	TXV	34,000	20.00	13.00	CH23-51	SLP98UH090XV48C	8100105
XC20-036-230A	TXV	34,400	20.00	13.00	CH33-42	EL296UH045XV36B	8100107
XC20-036-230A	TXV	34,400	20.00	13.00	CH33-42	EL296UH070XV36B	8100109
XC20-036-230A	TXV	34,600	20.00	13.50	CH33-42	SL280UH090V36B	8100110
XC20-036-230A	TXV	34,600	20.00	13.00	CH33-42	SL280UH090V48B	8100112
XC20-036-230A	TXV	34,600	20.00	13.50	CH33-42	SL280UH090XV36B	8510343
XC20-036-230A	TXV	34,600	20.00	13.00	CH33-42	SL280UH090XV48B	8100114
XC20-036-230A	TXV	34,400	20.00	13.00	CH33-42	SLP98UH070XV36B	8100116

Ratings AHRI Certified to AHRI Standard 210/240 (with 25 ft. of connecting refrigerant lines); 95°F outdoor air temperature, 80°F db / 67°F wb entering evaporator air.

All ratings include the use of a blower time delay relay (TDR). All Lennox variable-speed furnaces and Air Handlers have time delay capabilities. Other Furnaces and Air Handlers may require an optional time delay relay (58M81) for field installation. See furnace or air handler specifications to determine if relay is needed.

Also see Expansion Valve Kit Usage Table.

## AHRI SYSTEM MATCHES

NOTE - For the latest up-to-date system matches please visit the AHRI web site at <http://www.ahridirectory.org>

Model No.	Expansion Device	Capacity	SEER	EER	Coil or Air Handler	Furnace	AHRI Reference
XC20-036-230A	TXV	35,400	20.00	13.50	CH33-43	EL296UH090XV36C	8100118
XC20-036-230A	TXV	35,400	20.00	14.00	CH33-43	EL296UH090XV48C	8100119
XC20-036-230A	TXV	35,400	20.00	13.50	CH33-43	SLP98UH090XV36C	8100121
XC20-036-230A	TXV	35,400	20.00	14.00	CH33-43	SLP98UH090XV48C	8100123
XC20-036-230A	TXV	35,000	20.00	13.00	CH33-44/48	EL296UH045XV36B	8100125
XC20-036-230A	TXV	35,000	20.00	13.00	CH33-44/48	EL296UH070XV36B	8100126
XC20-036-230A	TXV	35,200	20.00	13.50	CH33-44/48	SL280UH090V36B	8100128
XC20-036-230A	TXV	35,200	20.00	13.50	CH33-44/48	SL280UH090V48B	8100130
XC20-036-230A	TXV	35,200	20.00	13.50	CH33-44/48	SL280UH090XV36B	8510344
XC20-036-230A	TXV	35,200	20.00	13.50	CH33-44/48	SL280UH090XV48B	8100132
XC20-036-230A	TXV	35,000	20.00	13.00	CH33-44/48	SLP98UH070XV36B	8100134
XC20-036-230A	TXV	35,200	20.00	13.50	CH33-48C	EL296UH090XV36C	8100136
XC20-036-230A	TXV	35,200	20.00	13.50	CH33-48C	EL296UH090XV48C	8086455
XC20-036-230A	TXV	35,200	20.00	13.50	CH33-48C	SLP98UH090XV36C	8086456
XC20-036-230A	TXV	35,200	20.00	13.50	CH33-48C	SLP98UH090XV48C	8086457
XC20-036-230A	TXV	35,600	20.00	14.00	CH35-42C	EL296UH090XV36C	8086502
XC20-036-230A	TXV	35,600	20.00	14.00	CH35-42C	EL296UH090XV48C	8086503
XC20-036-230A	TXV	35,600	20.00	14.00	CH35-42C	SLP98UH090XV36C	8086504
XC20-036-230A	TXV	35,600	20.00	14.00	CH35-42C	SLP98UH090XV48C	8086505
XC20-036-230A	TXV	35,200	20.00	13.00	CH35-48B	EL296UH045XV36B	8086506
XC20-036-230A	TXV	35,200	20.00	13.50	CH35-48B	EL296UH070XV36B	8086507
XC20-036-230A	TXV	35,400	20.00	14.00	CH35-48B	SL280UH090V36B	8086508
XC20-036-230A	TXV	35,400	20.00	14.00	CH35-48B	SL280UH090V48B	8086509
XC20-036-230A	TXV	35,400	20.00	14.00	CH35-48B	SL280UH090XV36B	8510347
XC20-036-230A	TXV	35,400	20.00	14.00	CH35-48B	SL280UH090XV48B	8086510
XC20-036-230A	TXV	35,200	20.00	13.50	CH35-48B	SLP98UH070XV36B	8086511
XC20-036-230A	TXV	35,400	20.00	13.50	CH35-48C	EL296UH090XV36C	8086512
XC20-036-230A	TXV	35,400	20.00	14.00	CH35-48C	EL296UH090XV48C	8086513
XC20-036-230A	TXV	35,400	20.00	13.50	CH35-48C	SLP98UH090XV36C	8086514
XC20-036-230A	TXV	35,400	20.00	14.00	CH35-48C	SLP98UH090XV48C	8086515
XC20-036-230A	TXV	34,400	20.00	13.00	CR33-48	EL296DF045XV36B	8086458
XC20-036-230A	TXV	34,400	20.00	13.00	CR33-48	EL296DF070XV48B	8086459
XC20-036-230A	TXV	34,600	20.00	13.00	CR33-48	SL280DF090V48B	8086460
XC20-036-230A	TXV	34,400	20.00	13.00	CR33-48	SLP98DF070XV36B	8086462
XC20-036-230A	TXV	34,400	20.00	13.00	CR33-48	SLP98DF090XV36C	8086463
XC20-036-230A	TXV	34,400	20.00	13.00	CR33-48	SLP98DF090XV48C	8086464
XC20-036-230A	TXV	33,600	20.00	12.75	CX34-36	SLP98UH070XV36B	8086465
XC20-036-230A	TXV	33,600	20.00	13.00	CX34-36	SLP98UH090XV36C	8086466
XC20-036-230A	TXV	35,000	20.00	13.00	CX34-38	EL296UH045XV36B	8086469
XC20-036-230A	TXV	35,000	20.00	13.00	CX34-38	EL296UH070XV36B	8086470
XC20-036-230A	TXV	35,000	20.00	13.00	CX34-38	SL280UH070V36A	8086467
XC20-036-230A	TXV	35,000	20.00	13.00	CX34-38	SL280UH070XV36A	8086468
XC20-036-230A	TXV	35,200	20.00	13.50	CX34-38	SL280UH090V36B	8086472
XC20-036-230A	TXV	35,200	20.00	13.50	CX34-38	SL280UH090V48B	8086473
XC20-036-230A	TXV	35,200	20.00	13.50	CX34-38	SL280UH090XV36B	8510345
XC20-036-230A	TXV	35,200	20.00	13.50	CX34-38	SL280UH090XV48B	8086471
XC20-036-230A	TXV	35,000	20.00	13.00	CX34-38	SLP98UH070XV36B	8086474

Ratings AHRI Certified to AHRI Standard 210/240 (with 25 ft. of connecting refrigerant lines); 95°F outdoor air temperature, 80°F db / 67°F wb entering evaporator air. All ratings include the use of a blower time delay relay (TDR). All Lennox variable-speed furnaces and Air Handlers have time delay capabilities. Other Furnaces and Air Handlers may require an optional time delay relay (**58M81**) for field installation. See furnace or air handler specifications to determine if relay is needed. Also see Expansion Valve Kit Usage Table.

## AHRI SYSTEM MATCHES

NOTE - For the latest up-to-date system matches please visit the AHRI web site at <http://www.ahridirectory.org>

Model No.	Expansion Device	Capacity	SEER	EER	Coil or Air Handler	Furnace	AHRI Reference
XC20-036-230A	TXV	35,200	20.00	13.00	CX34-43	EL296UH045XV36B	8086475
XC20-036-230A	TXV	35,200	20.00	13.00	CX34-43	EL296UH070XV36B	8086476
XC20-036-230A	TXV	35,400	20.00	13.50	CX34-43	EL296UH090XV36C	8086481
XC20-036-230A	TXV	35,400	20.00	14.00	CX34-43	EL296UH090XV48C	8086482
XC20-036-230A	TXV	35,400	20.00	14.00	CX34-43	EL296UH110XV48C	8086483
XC20-036-230A	TXV	35,400	20.00	14.00	CX34-43	EL296UH110XV60C	8086484
XC20-036-230A	TXV	35,400	20.00	13.50	CX34-43	SL280UH090V36B	8086485
XC20-036-230A	TXV	35,400	20.00	14.00	CX34-43	SL280UH090V48B	8086478
XC20-036-230A	TXV	35,400	20.00	13.50	CX34-43	SL280UH090XV36B	8510346
XC20-036-230A	TXV	35,400	20.00	14.00	CX34-43	SL280UH090XV48B	8086479
XC20-036-230A	TXV	35,200	20.00	13.50	CX34-43	SLP98UH070XV36B	8086480
XC20-036-230A	TXV	35,400	20.00	14.00	CX34-43	SLP98UH090XV36B	8086477
XC20-036-230A	TXV	35,400	20.00	14.00	CX34-43	SLP98UH090XV48C	8086486
XC20-036-230A	TXV	35,600	20.00	14.00	CX34-43	SLP98UH090XV60C	8703416
XC20-036-230A	TXV	35,400	20.00	14.00	CX34-43	SLP98UH110XV60C	8086487
XC20-036-230A	TXV	35,400	20.00	13.50	CX34-43B	SL280UH090V36B	8510392
XC20-036-230A	TXV	34,600	20.00	13.00	CX34-44/48	EL296UH045XV36B	8086489
XC20-036-230A	TXV	34,600	20.00	13.00	CX34-44/48	EL296UH070XV36B	8086490
XC20-036-230A	TXV	34,800	20.00	13.50	CX34-44/48	EL296UH090XV36C	8086495
XC20-036-230A	TXV	34,800	20.00	13.50	CX34-44/48	EL296UH090XV48C	8086496
XC20-036-230A	TXV	34,800	20.00	13.50	CX34-44/48	SL280UH090V36B	8086491
XC20-036-230A	TXV	34,800	20.00	13.50	CX34-44/48	SL280UH090V48B	8086492
XC20-036-230A	TXV	34,800	20.00	13.50	CX34-44/48	SL280UH090XV48B	8086493
XC20-036-230A	TXV	34,600	20.00	13.00	CX34-44/48	SLP98UH070XV36B	8086494
XC20-036-230A	TXV	34,800	20.00	13.50	CX34-44/48C	EL296UH110XV60C	8086497
XC20-036-230A	TXV	34,800	20.00	13.50	CX34-44/48C	SLP98UH110XV60C	8086488
XC20-036-230A	TXV	34,800	20.00	13.50	CX34-49	EL296UH090XV36C	8087921
XC20-036-230A	TXV	34,800	20.00	13.50	CX34-49	SLP98UH090XV48C	8087922
XC20-036-230A	TXV	35,200	20.00	13.50	CX34-50/60C	EL296UH090XV36C	8086498
XC20-036-230A	TXV	35,200	20.00	13.50	CX34-50/60C	EL296UH090XV48C	8086499
XC20-036-230A	TXV	35,200	20.00	13.50	CX34-50/60C	SLP98UH090XV36C	8086500
XC20-036-230A	TXV	35,200	20.00	13.50	CX34-50/60C	SLP98UH090XV48C	8086501
XC20-036-230A	TXV	33,800	20.00	12.75	CX35-30/36B	SLP98UH070XV36B	8463512
XC20-036-230A	TXV	33,800	20.00	13.00	CX35-30/36C	SLP98UH090XV36C	8463513
XC20-036-230A	TXV	35,200	20.00	13.00	CX35-36A	SL280UH070V36A	8463514
XC20-036-230A	TXV	35,200	20.00	13.00	CX35-36A	SL280UH070XV36A	8463515
XC20-036-230A	TXV	35,200	20.00	13.00	CX35-36B	EL296UH045XV36B	8463516
XC20-036-230A	TXV	35,200	20.00	13.00	CX35-36B	EL296UH070XV36B	8463517
XC20-036-230A	TXV	35,400	20.00	14.00	CX35-36B	SL280UH090V36B	8510350
XC20-036-230A	TXV	35,400	20.00	13.50	CX35-36B	SL280UH090V48B	8463519
XC20-036-230A	TXV	35,400	20.00	14.00	CX35-36B	SL280UH090XV36B	8463518
XC20-036-230A	TXV	35,400	20.00	13.50	CX35-36B	SL280UH090XV48B	8463520
XC20-036-230A	TXV	35,200	20.00	13.00	CX35-36B	SLP98UH070XV36B	8463521
XC20-036-230A	TXV	35,200	20.00	13.00	CX35-48B	EL296UH045XV36B	8463522
XC20-036-230A	TXV	35,200	20.00	13.00	CX35-48B	EL296UH070XV36B	8463523
XC20-036-230A	TXV	35,400	20.00	14.00	CX35-48B	SL280UH090V36B	8463524
XC20-036-230A	TXV	35,400	20.00	14.00	CX35-48B	SL280UH090V48B	8463525

Ratings AHRI Certified to AHRI Standard 210/240 (with 25 ft. of connecting refrigerant lines); 95°F outdoor air temperature, 80°F db / 67°F wb entering evaporator air.

All ratings include the use of a blower time delay relay (TDR). All Lennox variable-speed furnaces and Air Handlers have time delay capabilities. Other Furnaces and Air Handlers may require an optional time delay relay (58M81) for field installation. See furnace or air handler specifications to determine if relay is needed.

Also see Expansion Valve Kit Usage Table.



## AHRI SYSTEM MATCHES

NOTE - For the latest up-to-date system matches please visit the AHRI web site at <http://www.ahridirectory.org>

Model No.	Expansion Device	Capacity	SEER	EER	Coil or Air Handler	Furnace	AHRI Reference
XC20-036-230A	TXV	35,400	20.00	14.00	CX35-48B	SL280UH090XV36B	8510351
XC20-036-230A	TXV	35,400	20.00	14.00	CX35-48B	SL280UH090XV48B	8463526
XC20-036-230A	TXV	35,200	20.00	13.50	CX35-48B	SLP98UH070XV36B	8463527
XC20-036-230A	TXV	35,400	20.00	13.50	CX35-48C	EL296UH090XV36C	8463528
XC20-036-230A	TXV	35,600	20.00	14.00	CX35-48C	EL296UH090XV48C	8463529
XC20-036-230A	TXV	35,600	20.00	14.00	CX35-48C	EL296UH110XV48C	8463530
XC20-036-230A	TXV	35,600	20.00	14.00	CX35-48C	EL296UH110XV60C	8463531
XC20-036-230A	TXV	35,400	20.00	14.00	CX35-48C	SLP98UH090XV36B	8463532
XC20-036-230A	TXV	35,600	20.00	14.00	CX35-48C	SLP98UH090XV48C	8463533
XC20-036-230A	TXV	35,600	20.00	14.00	CX35-48C	SLP98UH110XV60C	8463534
XC20-036-230A	TXV	35,200	20.00	13.50	CX35-50/60C	EL296UH090XV36C	8463535
XC20-036-230A	TXV	35,200	20.00	13.50	CX35-50/60C	EL296UH090XV48C	8463536
XC20-036-230A	TXV	35,200	20.00	13.50	CX35-50/60C	SLP98UH090XV36C	8463537
XC20-036-230A	TXV	35,200	20.00	13.50	CX35-50/60C	SLP98UH090XV48C	8463538
XC20-048-230A	TXV	45,500	19.00	12.00	C33-43B	SL280UH090V48B	8086327
XC20-048-230A	TXV	45,500	19.00	12.00	C33-43B	SL280UH090XV48B	8510385
XC20-048-230A	TXV	45,500	19.00	12.00	C33-43C	EL296UH090XV48C	8086328
XC20-048-230A	TXV	46,000	19.50	12.50	C33-43C	EL296UH110XV48C	8087405
XC20-048-230A	TXV	46,000	19.00	12.50	C33-43C	SL280UH090V60C	8086331
XC20-048-230A	TXV	46,000	19.50	12.50	C33-43C	SL280UH090XV60C	8086332
XC20-048-230A	TXV	46,000	19.00	12.50	C33-43C	SL280UH110V60C	8086333
XC20-048-230A	TXV	46,000	19.50	12.50	C33-43C	SL280UH110XV60C	8086334
XC20-048-230A	TXV	46,000	19.50	12.50	C33-43C	SLP98UH090XV48C	8086335
XC20-048-230A	TXV	46,000	19.50	12.50	C33-43C	SLP98UH090XV60C	8086336
XC20-048-230A	TXV	46,000	19.50	12.50	C33-43C	SLP98UH110XV60C	8086330
XC20-048-230A	TXV	45,000	19.00	12.00	C33-48B	SL280UH090V48B	8086337
XC20-048-230A	TXV	45,000	19.00	12.00	C33-48B	SL280UH090XV48B	8510387
XC20-048-230A	TXV	45,000	19.00	12.00	C33-48C	EL296UH090XV48C	8086338
XC20-048-230A	TXV	45,000	19.00	12.00	C33-48C	EL296UH090XV60C	8086339
XC20-048-230A	TXV	45,000	18.50	12.00	C33-48C	EL296UH110XV48C	8086340
XC20-048-230A	TXV	45,000	19.00	12.20	C33-48C	EL296UH110XV60C	8086341
XC20-048-230A	TXV	45,000	19.00	12.00	C33-48C	SL280UH090V48B	8087406
XC20-048-230A	TXV	45,000	18.50	12.00	C33-48C	SL280UH090V60C	8086342
XC20-048-230A	TXV	45,000	19.00	12.00	C33-48C	SL280UH110V60C	8510386
XC20-048-230A	TXV	45,000	19.00	12.00	C33-48C	SL280UH110XV60C	8086343
XC20-048-230A	TXV	45,000	19.00	12.00	C33-48C	SLP98UH090XV48C	8086344
XC20-048-230A	TXV	45,000	18.50	12.00	C33-48C	SLP98UH090XV60C	8086345
XC20-048-230A	TXV	46,500	19.00	12.50	C33-48C	SLP98UH110XV60C	8086346
XC20-048-230A	TXV	46,500	19.00	12.50	C33-49C	EL296UH090XV48C	8086347
XC20-048-230A	TXV	46,500	19.00	12.50	C33-49C	EL296UH090XV60C	8086348
XC20-048-230A	TXV	46,000	19.50	12.50	C33-49C	EL296UH110XV48C	8086329
XC20-048-230A	TXV	46,500	19.00	13.00	C33-49C	EL296UH110XV60C	8086349
XC20-048-230A	TXV	46,500	19.00	12.50	C33-49C	SL280UH090V60C	8086350
XC20-048-230A	TXV	46,500	19.00	12.50	C33-49C	SL280UH090XV60C	8510357
XC20-048-230A	TXV	46,500	19.50	12.50	C33-49C	SLP98UH090XV48C	8086351
XC20-048-230A	TXV	46,500	19.00	12.50	C33-49C	SLP98UH090XV60C	8086352
XC20-048-230A	TXV	46,500	19.00	12.50	C33-49C	SLP98UH110XV60C	8086353

Ratings AHRI Certified to AHRI Standard 210/240 (with 25 ft. of connecting refrigerant lines); 95°F outdoor air temperature, 80°F db / 67°F wb entering evaporator air. All ratings include the use of a blower time delay relay (TDR). All Lennox variable-speed furnaces and Air Handlers have time delay capabilities. Other Furnaces and Air Handlers may require an optional time delay relay (**58M81**) for field installation. See furnace or air handler specifications to determine if relay is needed. Also see Expansion Valve Kit Usage Table.

## AHRI SYSTEM MATCHES

NOTE - For the latest up-to-date system matches please visit the AHRI web site at <http://www.ahridirectory.org>

Model No.	Expansion Device	Capacity	SEER	EER	Coil or Air Handler	Furnace	AHRI Reference
XC20-048-230A	TXV	45,500	19.00	12.20	C33-50/60C	EL296UH090XV48C	8086354
XC20-048-230A	TXV	45,500	19.00	12.20	C33-50/60C	EL296UH090XV60C	8086355
XC20-048-230A	TXV	45,500	19.00	12.20	C33-50/60C	EL296UH110XV48C	8086356
XC20-048-230A	TXV	45,500	19.00	12.20	C33-50/60C	EL296UH110XV60C	8086357
XC20-048-230A	TXV	45,500	19.00	12.50	C33-50/60C	SL280UH090V60C	8086358
XC20-048-230A	TXV	45,500	19.00	12.50	C33-50/60C	SL280UH090XV60C	8510388
XC20-048-230A	TXV	45,500	19.00	12.20	C33-50/60C	SL280UH110V60C	8086359
XC20-048-230A	TXV	45,500	19.00	12.20	C33-50/60C	SL280UH110XV60C	8510389
XC20-048-230A	TXV	45,500	19.00	12.20	C33-50/60C	SLP98UH090XV48C	8086360
XC20-048-230A	TXV	45,500	19.00	12.20	C33-50/60C	SLP98UH090XV60C	8086361
XC20-048-230A	TXV	45,500	19.00	12.20	C33-50/60C	SLP98UH110XV60C	8086362
XC20-048-230A	TXV	46,000	19.00	12.00	C35-48B	SL280UH090V48B	8462471
XC20-048-230A	TXV	46,000	19.00	12.00	C35-48B	SL280UH090XV48B	8510362
XC20-048-230A	TXV	46,000	19.00	12.00	C35-48C	EL296UH090XV48C	8462472
XC20-048-230A	TXV	46,000	19.00	12.00	C35-48C	EL296UH090XV60C	8462473
XC20-048-230A	TXV	46,000	19.50	12.50	C35-48C	EL296UH110XV48C	8462474
XC20-048-230A	TXV	46,000	19.50	12.50	C35-48C	EL296UH110XV60C	8462475
XC20-048-230A	TXV	46,000	19.00	12.50	C35-48C	SL280UH090V60C	8462476
XC20-048-230A	TXV	46,000	19.00	12.50	C35-48C	SL280UH090XV60C	8510363
XC20-048-230A	TXV	46,000	19.00	12.50	C35-48C	SL280UH110V60C	8462477
XC20-048-230A	TXV	46,000	19.00	12.50	C35-48C	SL280UH110XV60C	8510364
XC20-048-230A	TXV	46,000	19.50	12.50	C35-48C	SLP98UH090XV48C	8462478
XC20-048-230A	TXV	46,000	19.50	12.50	C35-48C	SLP98UH090XV60C	8462479
XC20-048-230A	TXV	46,000	19.50	12.50	C35-48C	SLP98UH110XV60C	8462480
XC20-048-230A	TXV	46,500	19.00	12.50	C35-49C	EL296UH090XV48C	8462462
XC20-048-230A	TXV	46,500	19.00	12.50	C35-49C	EL296UH090XV60C	8462463
XC20-048-230A	TXV	46,500	18.50	12.00	C35-49C	EL296UH110XV48C	8462464
XC20-048-230A	TXV	46,500	19.00	12.20	C35-49C	EL296UH110XV60C	8462465
XC20-048-230A	TXV	46,500	18.50	12.00	C35-49C	SL280UH090V60C	8462466
XC20-048-230A	TXV	46,500	18.50	12.00	C35-49C	SL280UH090XV60C	8510360
XC20-048-230A	TXV	46,500	19.00	12.00	C35-49C	SL280UH110V60C	8510361
XC20-048-230A	TXV	46,500	19.00	12.00	C35-49C	SL280UH110XV60C	8462467
XC20-048-230A	TXV	46,500	19.00	12.00	C35-49C	SLP98UH090XV48C	8462468
XC20-048-230A	TXV	46,500	18.50	12.00	C35-49C	SLP98UH090XV60C	8462469
XC20-048-230A	TXV	46,500	19.00	12.50	C35-49C	SLP98UH110XV60C	8462470
XC20-048-230A	TXV	45,500	19.00	12.20	C35-50/60C	EL296UH090XV48C	8462481
XC20-048-230A	TXV	45,500	19.00	12.20	C35-50/60C	EL296UH090XV60C	8462482
XC20-048-230A	TXV	45,500	19.00	12.20	C35-50/60C	EL296UH110XV48C	8462483
XC20-048-230A	TXV	45,500	19.00	12.20	C35-50/60C	EL296UH110XV60C	8462484
XC20-048-230A	TXV	45,500	19.00	12.50	C35-50/60C	SL280UH090V60C	8462485
XC20-048-230A	TXV	45,500	19.00	12.50	C35-50/60C	SL280UH090XV60C	8510365
XC20-048-230A	TXV	45,500	19.00	12.20	C35-50/60C	SL280UH110V60C	8462486
XC20-048-230A	TXV	45,500	19.00	12.20	C35-50/60C	SL280UH110XV60C	8510366
XC20-048-230A	TXV	45,500	19.00	12.20	C35-50/60C	SLP98UH090XV48C	8462487
XC20-048-230A	TXV	45,500	19.00	12.20	C35-50/60C	SLP98UH090XV60C	8462488
XC20-048-230A	TXV	45,500	19.00	12.20	C35-50/60C	SLP98UH110XV60C	8462489
XC20-048-230A	TXV	46,000	20.00	13.00	CBX32MV-048		8086363

Ratings AHRI Certified to AHRI Standard 210/240 (with 25 ft. of connecting refrigerant lines); 95°F outdoor air temperature, 80°F db / 67°F wb entering evaporator air.

All ratings include the use of a blower time delay relay (TDR). All Lennox variable-speed furnaces and Air Handlers have time delay capabilities. Other Furnaces and Air Handlers may require an optional time delay relay (58M81) for field installation. See furnace or air handler specifications to determine if relay is needed.

Also see Expansion Valve Kit Usage Table.

## AHRI SYSTEM MATCHES

NOTE - For the latest up-to-date system matches please visit the AHRI web site at <http://www.ahridirectory.org>

Model No.	Expansion Device	Capacity	SEER	EER	Coil or Air Handler	Furnace	AHRI Reference
XC20-048-230A	TXV	46,500	20.00	13.00	CBX32MV-060		8086364
XC20-048-230A	TXV	46,000	19.50	12.50	CBX40UHV-048		8086365
XC20-048-230A	TXV	46,500	19.50	13.00	CBX40UHV-060		8086366
XC20-048-230A	TXV	46,500	19.50	12.50	CH33-49	EL296UH090XV48C	8086367
XC20-048-230A	TXV	46,500	19.50	12.50	CH33-49	EL296UH090XV60C	8086368
XC20-048-230A	TXV	46,500	19.50	12.50	CH33-49	EL296UH110XV48C	8086369
XC20-048-230A	TXV	46,500	19.50	12.50	CH33-49	EL296UH110XV60C	8086370
XC20-048-230A	TXV	46,500	19.50	12.50	CH33-49	SL280UH090V60C	8086371
XC20-048-230A	TXV	46,500	19.50	12.50	CH33-49	SL280UH090XV60C	8203214
XC20-048-230A	TXV	46,500	19.50	12.50	CH33-49	SL280UH110V60C	8086372
XC20-048-230A	TXV	46,500	19.50	12.50	CH33-49	SL280UH110XV60C	8203210
XC20-048-230A	TXV	46,500	19.50	12.50	CH33-49	SLP98UH090XV48C	8086373
XC20-048-230A	TXV	46,500	19.50	12.50	CH33-49	SLP98UH090XV60C	8086374
XC20-048-230A	TXV	46,500	19.50	12.50	CH33-49	SLP98UH110XV60C	8086375
XC20-048-230A	TXV	46,000	19.00	12.50	CH33-50/60C	EL296UH090XV48C	8086376
XC20-048-230A	TXV	46,000	19.00	12.50	CH33-50/60C	EL296UH090XV60C	8086377
XC20-048-230A	TXV	46,000	19.00	12.50	CH33-50/60C	EL296UH110XV48C	8086378
XC20-048-230A	TXV	46,000	19.00	12.50	CH33-50/60C	EL296UH110XV60C	8086379
XC20-048-230A	TXV	46,500	19.50	12.50	CH33-50/60C	SL280UH090V60C	8086380
XC20-048-230A	TXV	46,500	19.50	12.50	CH33-50/60C	SL280UH090XV60C	8203211
XC20-048-230A	TXV	46,000	19.00	12.50	CH33-50/60C	SL280UH110V60C	8086381
XC20-048-230A	TXV	46,000	19.00	12.50	CH33-50/60C	SL280UH110XV60C	8203212
XC20-048-230A	TXV	46,000	19.50	12.50	CH33-50/60C	SLP98UH090XV48C	8086382
XC20-048-230A	TXV	46,000	19.00	12.50	CH33-50/60C	SLP98UH090XV60C	8086383
XC20-048-230A	TXV	46,000	19.00	12.50	CH33-50/60C	SLP98UH110XV60C	8086384
XC20-048-230A	TXV	46,000	19.00	12.50	CH33-60D	EL296UH135XV60D	8086385
XC20-048-230A	TXV	46,000	19.00	12.50	CH33-60D	SL280UH135V60D	8086386
XC20-048-230A	TXV	46,000	19.00	12.50	CH33-60D	SLP98UH135XV60D	8086387
XC20-048-230A	TXV	46,500	19.00	12.50	CH33-62D	EL296UH135XV60D	8086388
XC20-048-230A	TXV	46,500	19.50	13.00	CH33-62D	SL280UH135V60D	8086389
XC20-048-230A	TXV	46,500	19.00	12.50	CH33-62D	SLP98UH135XV60D	8086390
XC20-048-230A	TXV	46,500	19.50	12.50	CH35-51C	EL296UH090XV48C	8086391
XC20-048-230A	TXV	46,500	19.50	12.50	CH35-51C	EL296UH090XV60C	8086392
XC20-048-230A	TXV	46,500	19.50	12.50	CH35-51C	EL296UH110XV48C	8086393
XC20-048-230A	TXV	46,500	19.50	12.50	CH35-51C	EL296UH110XV60C	8086394
XC20-048-230A	TXV	47,000	19.50	13.00	CH35-51C	SL280UH090V60C	8086395
XC20-048-230A	TXV	47,000	19.50	13.00	CH35-51C	SL280UH090XV60C	8203213
XC20-048-230A	TXV	46,500	19.00	12.50	CH35-51C	SL280UH110V60C	8086396
XC20-048-230A	TXV	46,500	19.00	12.50	CH35-51C	SL280UH110XV60C	8510356
XC20-048-230A	TXV	46,500	19.50	12.50	CH35-51C	SLP98UH090XV48C	8086397
XC20-048-230A	TXV	46,500	19.50	12.50	CH35-51C	SLP98UH090XV60C	8086398
XC20-048-230A	TXV	46,500	19.50	12.50	CH35-51C	SLP98UH110XV60C	8086399
XC20-048-230A	TXV	46,500	19.00	12.50	CH35-60D	EL296UH135XV60D	8086400
XC20-048-230A	TXV	46,500	19.50	13.00	CH35-60D	SL280UH135V60D	8086401
XC20-048-230A	TXV	46,500	19.00	12.50	CH35-60D	SLP98UH135XV60D	8086402
XC20-048-230A	TXV	46,000	19.00	12.50	CR33-50/60	EL296DF090XV60C	8086403
XC20-048-230A	TXV	46,000	19.00	12.50	CR33-50/60	EL296DF110XV60C	8086404

Ratings AHRI Certified to AHRI Standard 210/240 (with 25 ft. of connecting refrigerant lines); 95°F outdoor air temperature, 80°F db / 67°F wb entering evaporator air. All ratings include the use of a blower time delay relay (TDR). All Lennox variable-speed furnaces and Air Handlers have time delay capabilities. Other Furnaces and Air Handlers may require an optional time delay relay (**58M81**) for field installation. See furnace or air handler specifications to determine if relay is needed. Also see Expansion Valve Kit Usage Table.

## AHRI SYSTEM MATCHES

NOTE - For the latest up-to-date system matches please visit the AHRI web site at <http://www.ahridirectory.org>

Model No.	Expansion Device	Capacity	SEER	EER	Coil or Air Handler	Furnace	AHRI Reference
XC20-048-230A	TXV	46,500	19.50	12.20	CR33-50/60	SL280DF090V60C	8510352
XC20-048-230A	TXV	46,500	19.50	12.20	CR33-50/60	SL280DF110V60C	8086406
XC20-048-230A	TXV	46,500	19.50	12.20	CR33-50/60	SL280DF110XV60C	8510355
XC20-048-230A	TXV	46,000	19.00	12.20	CR33-50/60	SLP98DF090XV48C	8086407
XC20-048-230A	TXV	46,000	19.00	12.50	CR33-50/60	SLP98DF090XV60C	8086408
XC20-048-230A	TXV	46,000	19.00	12.50	CR33-50/60	SLP98DF110XV60C	8086409
XC20-048-230A	TXV	46,000	19.00	12.50	CR33-60	EL296DF090XV60C	8086410
XC20-048-230A	TXV	46,000	19.00	12.50	CR33-60	EL296DF110XV60C	8086411
XC20-048-230A	TXV	46,500	19.00	12.20	CR33-60	SL280DF090V60C	8086412
XC20-048-230A	TXV	46,500	19.00	12.20	CR33-60	SL280DF090XV60C	8510353
XC20-048-230A	TXV	46,500	19.50	12.20	CR33-60	SL280DF110V60C	8086413
XC20-048-230A	TXV	46,500	19.50	12.20	CR33-60	SL280DF110XV60C	8510354
XC20-048-230A	TXV	46,000	19.00	12.20	CR33-60	SLP98DF090XV48C	8086414
XC20-048-230A	TXV	46,000	19.00	12.50	CR33-60	SLP98DF090XV60C	8086415
XC20-048-230A	TXV	46,000	19.00	12.50	CR33-60	SLP98DF110XV60C	8086416
XC20-048-230A	TXV	45,500	19.00	12.00	CX34-43B	SL280UH090V48B	8086417
XC20-048-230A	TXV	45,500	19.00	12.00	CX34-43B	SL280UH090XV48B	8203204
XC20-048-230A	TXV	45,500	19.00	12.00	CX34-43C	EL296UH090XV48C	8086418
XC20-048-230A	TXV	46,000	19.50	12.50	CX34-43C	EL296UH090XV60C	8086419
XC20-048-230A	TXV	46,000	19.50	12.50	CX34-43C	EL296UH110XV48C	8086420
XC20-048-230A	TXV	46,000	19.00	12.50	CX34-43C	EL296UH110XV60C	8086421
XC20-048-230A	TXV	46,000	19.50	12.50	CX34-43C	SL280UH090V60C	8086422
XC20-048-230A	TXV	46,000	19.50	12.50	CX34-43C	SL280UH090XV60C	8203205
XC20-048-230A	TXV	46,000	19.00	12.50	CX34-43C	SL280UH110V60C	8086423
XC20-048-230A	TXV	46,000	19.00	12.50	CX34-43C	SL280UH110XV60C	8203206
XC20-048-230A	TXV	46,000	19.50	12.50	CX34-43C	SLP98UH090XV48C	8086424
XC20-048-230A	TXV	46,000	19.50	12.50	CX34-43C	SLP98UH090XV60C	8086425
XC20-048-230A	TXV	46,000	19.50	12.50	CX34-43C	SLP98UH110XV60C	8086426
XC20-048-230A	TXV	45,000	18.50	12.00	CX34-44/48	EL296UH090XV48C	8086427
XC20-048-230A	TXV	45,000	19.00	12.00	CX34-44/48	EL296UH090XV60C	8086428
XC20-048-230A	TXV	45,000	19.00	12.00	CX34-44/48	EL296UH110XV48C	8086429
XC20-048-230A	TXV	45,000	19.00	12.00	CX34-44/48	EL296UH110XV60C	8086430
XC20-048-230A	TXV	45,000	18.50	12.00	CX34-44/48	SL280UH090V48B	8086431
XC20-048-230A	TXV	45,000	19.00	12.20	CX34-44/48	SL280UH090V60C	8086432
XC20-048-230A	TXV	45,000	18.50	12.00	CX34-44/48	SL280UH090XV48B	8203207
XC20-048-230A	TXV	45,000	19.00	12.20	CX34-44/48	SL280UH090XV60C	8203208
XC20-048-230A	TXV	45,000	18.50	12.00	CX34-44/48	SL280UH110V60C	8086433
XC20-048-230A	TXV	45,000	18.50	12.00	CX34-44/48	SL280UH110XV60C	8203209
XC20-048-230A	TXV	45,000	19.00	12.00	CX34-44/48	SLP98UH090XV48C	8086434
XC20-048-230A	TXV	45,000	19.00	12.00	CX34-44/48	SLP98UH090XV60C	8086435
XC20-048-230A	TXV	45,000	18.50	12.00	CX34-44/48	SLP98UH110XV60C	8086436
XC20-048-230A	TXV	46,500	19.00	12.50	CX34-49C	EL296UH090XV48C	8086437
XC20-048-230A	TXV	46,500	19.00	12.50	CX34-49C	EL296UH090XV60C	8086438
XC20-048-230A	TXV	46,500	19.00	12.50	CX34-49C	EL296UH110XV48C	8086439
XC20-048-230A	TXV	46,500	19.00	12.50	CX34-49C	EL296UH110XV60C	8086440
XC20-048-230A	TXV	46,500	19.00	13.00	CX34-49C	SL280UH090V60C	8086441
XC20-048-230A	TXV	46,500	19.00	13.00	CX34-49C	SL280UH090XV60C	8203200

Ratings AHRI Certified to AHRI Standard 210/240 (with 25 ft. of connecting refrigerant lines); 95°F outdoor air temperature, 80°F db / 67°F wb entering evaporator air.

All ratings include the use of a blower time delay relay (TDR). All Lennox variable-speed furnaces and Air Handlers have time delay capabilities. Other Furnaces and Air Handlers may require an optional time delay relay (58M81) for field installation. See furnace or air handler specifications to determine if relay is needed.

Also see Expansion Valve Kit Usage Table.



## AHRI SYSTEM MATCHES

NOTE - For the latest up-to-date system matches please visit the AHRI web site at <http://www.ahridirectory.org>

Model No.	Expansion Device	Capacity	SEER	EER	Coil or Air Handler	Furnace	AHRI Reference
XC20-048-230A	TXV	46,500	19.00	12.50	CX34-49C	SL280UH110V60C	8086442
XC20-048-230A	TXV	46,500	19.00	12.50	CX34-49C	SL280UH110XV60C	8203201
XC20-048-230A	TXV	46,500	19.50	12.50	CX34-49C	SLP98UH090XV48C	8086443
XC20-048-230A	TXV	46,500	19.00	12.50	CX34-49C	SLP98UH090XV60C	8086444
XC20-048-230A	TXV	46,500	19.00	12.50	CX34-49C	SLP98UH110XV60C	8086445
XC20-048-230A	TXV	45,500	19.00	12.20	CX34-50/60C	EL296UH090XV48C	8086446
XC20-048-230A	TXV	45,500	19.00	12.20	CX34-50/60C	EL296UH090XV60C	8086447
XC20-048-230A	TXV	45,500	19.00	12.20	CX34-50/60C	EL296UH110XV48C	8086448
XC20-048-230A	TXV	45,500	19.00	12.20	CX34-50/60C	EL296UH110XV60C	8086449
XC20-048-230A	TXV	45,500	19.00	12.50	CX34-50/60C	SL280UH090V60C	8086450
XC20-048-230A	TXV	45,500	19.00	12.50	CX34-50/60C	SL280UH090XV60C	8203202
XC20-048-230A	TXV	45,500	19.00	12.20	CX34-50/60C	SL280UH110V60C	8086451
XC20-048-230A	TXV	45,500	19.00	12.20	CX34-50/60C	SL280UH110XV60C	8203203
XC20-048-230A	TXV	45,500	19.00	12.20	CX34-50/60C	SLP98UH090XV48C	8086452
XC20-048-230A	TXV	45,500	19.00	12.20	CX34-50/60C	SLP98UH090XV60C	8086453
XC20-048-230A	TXV	45,500	19.00	12.20	CX34-50/60C	SLP98UH110XV60C	8086454
XC20-048-230A	TXV	46,000	19.00	12.50	CX35-48B	SL280UH090V48B	8463493
XC20-048-230A	TXV	46,000	19.00	12.50	CX35-48B	SL280UH090XV48B	8510367
XC20-048-230A	TXV	46,000	19.50	12.50	CX35-48C	EL296UH090XV48C	8463494
XC20-048-230A	TXV	46,000	19.50	12.50	CX35-48C	EL296UH090XV60C	8463495
XC20-048-230A	TXV	46,000	19.50	12.50	CX35-48C	EL296UH110XV48C	8463496
XC20-048-230A	TXV	46,000	19.50	12.50	CX35-48C	EL296UH110XV60C	8463497
XC20-048-230A	TXV	46,000	19.50	12.50	CX35-48C	SL280UH090V60C	8463498
XC20-048-230A	TXV	46,000	19.50	12.50	CX35-48C	SL280UH090XV60C	8510368
XC20-048-230A	TXV	46,000	19.00	12.50	CX35-48C	SL280UH110V60C	8463499
XC20-048-230A	TXV	46,000	19.00	12.50	CX35-48C	SL280UH110XV60C	8510369
XC20-048-230A	TXV	46,000	19.50	12.50	CX35-48C	SLP98UH090XV48C	8463500
XC20-048-230A	TXV	46,000	19.50	12.50	CX35-48C	SLP98UH090XV60C	8463501
XC20-048-230A	TXV	46,000	19.50	12.50	CX35-48C	SLP98UH110XV60C	8463502
XC20-048-230A	TXV	46,500	19.50	12.50	CX35-49C	EL296UH090XV48C	8463484
XC20-048-230A	TXV	46,500	19.00	12.50	CX35-49C	EL296UH090XV60C	8463485
XC20-048-230A	TXV	46,500	19.50	12.50	CX35-49C	EL296UH110XV48C	8463486
XC20-048-230A	TXV	46,500	19.00	12.50	CX35-49C	EL296UH110XV60C	8463487
XC20-048-230A	TXV	46,500	19.50	13.00	CX35-49C	SL280UH090V60C	8463488
XC20-048-230A	TXV	46,500	19.50	13.00	CX35-49C	SL280UH090XV60C	8510358
XC20-048-230A	TXV	46,500	19.00	12.50	CX35-49C	SL280UH110V60C	8463489
XC20-048-230A	TXV	46,500	19.00	12.50	CX35-49C	SL280UH110XV60C	8510359
XC20-048-230A	TXV	46,500	19.50	12.50	CX35-49C	SLP98UH090XV48C	8463490
XC20-048-230A	TXV	46,500	19.00	12.50	CX35-49C	SLP98UH090XV60C	8463491
XC20-048-230A	TXV	46,500	19.00	12.50	CX35-49C	SLP98UH110XV60C	8463492
XC20-048-230A	TXV	45,500	19.00	12.20	CX35-50/60C	EL296UH090XV48C	8463503
XC20-048-230A	TXV	45,500	19.00	12.20	CX35-50/60C	EL296UH090XV60C	8463504
XC20-048-230A	TXV	45,500	19.00	12.20	CX35-50/60C	EL296UH110XV48C	8463505
XC20-048-230A	TXV	45,500	19.00	12.20	CX35-50/60C	EL296UH110XV60C	8463506
XC20-048-230A	TXV	45,500	19.00	12.50	CX35-50/60C	SL280UH090V60C	8463507
XC20-048-230A	TXV	45,500	19.00	12.50	CX35-50/60C	SL280UH090XV60C	8510390
XC20-048-230A	TXV	45,500	19.00	12.20	CX35-50/60C	SL280UH110V60C	8463508

Ratings AHRI Certified to AHRI Standard 210/240 (with 25 ft. of connecting refrigerant lines); 95°F outdoor air temperature, 80°F db / 67°F wb entering evaporator air. All ratings include the use of a blower time delay relay (TDR). All Lennox variable-speed furnaces and Air Handlers have time delay capabilities. Other Furnaces and Air Handlers may require an optional time delay relay (**58M81**) for field installation. See furnace or air handler specifications to determine if relay is needed. Also see Expansion Valve Kit Usage Table.

## AHRI SYSTEM MATCHES

NOTE - For the latest up-to-date system matches please visit the AHRI web site at <http://www.ahridirectory.org>

Model No.	Expansion Device	Capacity	SEER	EER	Coil or Air Handler	Furnace	AHRI Reference
XC20-048-230A	TXV	45,500	19.00	12.20	CX35-50/60C	SL280UH110XV60C	8510391
XC20-048-230A	TXV	45,500	19.00	12.20	CX35-50/60C	SLP98UH090XV48C	8463509
XC20-048-230A	TXV	45,500	19.00	12.20	CX35-50/60C	SLP98UH090XV60C	8463510
XC20-048-230A	TXV	45,500	19.00	12.20	CX35-50/60C	SLP98UH110XV60C	8463511
XC20-060-230A	TXV	56,500	19.00	12.50	C33-49	EL296UH090XV60C	8086256
XC20-060-230A	TXV	56,500	19.00	12.50	C33-49	EL296UH110XV60C	8086257
XC20-060-230A	TXV	57,000	19.00	13.00	C33-49	SL280UH090V60C	8086258
XC20-060-230A	TXV	57,000	19.00	13.00	C33-49	SL280UH090XV60C	8510370
XC20-060-230A	TXV	57,000	19.00	12.50	C33-49	SL280UH110V60C	8086259
XC20-060-230A	TXV	57,000	19.00	12.50	C33-49	SL280UH110XV60C	8510371
XC20-060-230A	TXV	56,500	19.00	12.50	C33-49	SLP98UH090XV60C	8086260
XC20-060-230A	TXV	56,500	19.00	12.50	C33-49	SLP98UH110XV60C	8086261
XC20-060-230A	TXV	56,500	19.00	12.50	C33-60D	EL296UH135XV60D	8086262
XC20-060-230A	TXV	57,000	19.00	13.00	C33-60D	SL280UH135V60D	8086263
XC20-060-230A	TXV	56,500	19.00	12.50	C33-60D	SLP98UH135XV60D	8086264
XC20-060-230A	TXV	58,000	19.00	12.75	C33-62C	EL296UH090XV60C	8086265
XC20-060-230A	TXV	58,000	19.00	12.75	C33-62C	EL296UH110XV60C	8086266
XC20-060-230A	TXV	58,000	19.00	13.00	C33-62C	SL280UH090V60C	8086267
XC20-060-230A	TXV	58,000	19.00	13.00	C33-62C	SL280UH090XV60C	8510372
XC20-060-230A	TXV	58,000	19.00	13.00	C33-62C	SL280UH110V60C	8086268
XC20-060-230A	TXV	58,000	19.00	13.00	C33-62C	SL280UH110XV60C	8510373
XC20-060-230A	TXV	58,000	19.00	12.75	C33-62C	SLP98UH090XV60C	8086269
XC20-060-230A	TXV	58,000	19.00	13.00	C33-62C	SLP98UH110XV60C	8086270
XC20-060-230A	TXV	57,500	19.00	13.00	C33-62D	EL296UH135XV60D	8086271
XC20-060-230A	TXV	57,500	19.00	13.00	C33-62D	SL280UH135V60D	8086272
XC20-060-230A	TXV	57,500	19.00	13.00	C33-62D	SLP98UH135XV60D	8086273
XC20-060-230A	TXV	57,000	19.00	12.50	C35-49C	EL296UH090XV60C	8462490
XC20-060-230A	TXV	57,000	19.00	12.50	C35-49C	EL296UH110XV60C	8462491
XC20-060-230A	TXV	57,000	19.00	13.00	C35-49C	SL280UH090V60C	8462492
XC20-060-230A	TXV	57,000	19.00	13.00	C35-49C	SL280UH090XV60C	8510374
XC20-060-230A	TXV	57,000	19.00	12.50	C35-49C	SL280UH110V60C	8462493
XC20-060-230A	TXV	57,000	19.00	12.50	C35-49C	SL280UH110XV60C	8510375
XC20-060-230A	TXV	57,000	19.00	12.50	C35-49C	SLP98UH090XV60C	8462494
XC20-060-230A	TXV	57,000	19.00	12.50	C35-49C	SLP98UH110XV60C	8462495
XC20-060-230A	TXV	58,000	19.00	12.75	C35-60C	EL296UH090XV60C	8462496
XC20-060-230A	TXV	58,000	19.00	12.75	C35-60C	EL296UH110XV60C	8462497
XC20-060-230A	TXV	58,500	19.00	13.00	C35-60C	SL280UH090V60C	8462498
XC20-060-230A	TXV	58,500	19.00	13.00	C35-60C	SL280UH090XV60C	8510376
XC20-060-230A	TXV	58,500	19.00	13.00	C35-60C	SL280UH110V60C	8462499
XC20-060-230A	TXV	58,500	19.00	13.00	C35-60C	SL280UH110XV60C	8510377
XC20-060-230A	TXV	58,000	19.00	12.75	C35-60C	SLP98UH090XV60C	8462500
XC20-060-230A	TXV	58,000	19.00	13.00	C35-60C	SLP98UH110XV60C	8462501
XC20-060-230A	TXV	57,500	19.00	13.00	C35-60D	EL296UH135XV60D	8462502
XC20-060-230A	TXV	58,000	19.00	13.00	C35-60D	SL280UH135V60D	8462503
XC20-060-230A	TXV	57,500	19.00	13.00	C35-60D	SLP98UH135XV60D	8462504
XC20-060-230A	TXV	57,000	19.00	13.00	CBX32MV-060		8086274
XC20-060-230A	TXV	56,500	19.00	13.00	CBX40UHV-060		8086275

Ratings AHRI Certified to AHRI Standard 210/240 (with 25 ft. of connecting refrigerant lines); 95°F outdoor air temperature, 80°F db / 67°F wb entering evaporator air.

All ratings include the use of a blower time delay relay (TDR). All Lennox variable-speed furnaces and Air Handlers have time delay capabilities. Other Furnaces and Air Handlers may require an optional time delay relay (58M81) for field installation. See furnace or air handler specifications to determine if relay is needed.

Also see Expansion Valve Kit Usage Table.

## AHRI SYSTEM MATCHES

NOTE - For the latest up-to-date system matches please visit the AHRI web site at <http://www.ahridirectory.org>

Model No.	Expansion Device	Capacity	SEER	EER	Coil or Air Handler	Furnace	AHRI Reference
XC20-060-230A	TXV	56,500	19.00	12.20	CH33-49	EL296UH090XV60C	8086276
XC20-060-230A	TXV	57,000	19.00	12.50	CH33-49	EL296UH110XV60C	8086277
XC20-060-230A	TXV	57,000	19.00	12.50	CH33-49	SL280UH090V60C	8086278
XC20-060-230A	TXV	57,000	19.00	12.50	CH33-49	SL280UH090XV60C	8203221
XC20-060-230A	TXV	57,000	19.00	12.50	CH33-49	SL280UH110V60C	8086279
XC20-060-230A	TXV	57,000	19.00	12.50	CH33-49	SL280UH110XV60C	8203222
XC20-060-230A	TXV	56,500	19.00	12.20	CH33-49	SLP98UH090XV60C	8086280
XC20-060-230A	TXV	57,000	19.00	12.50	CH33-49	SLP98UH110XV60C	8086281
XC20-060-230A	TXV	56,500	19.00	12.20	CH33-50/60C	EL296UH090XV60C	8086282
XC20-060-230A	TXV	56,500	19.00	12.20	CH33-50/60C	EL296UH110XV60C	8086283
XC20-060-230A	TXV	56,500	19.00	12.50	CH33-50/60C	SL280UH090V60C	8086284
XC20-060-230A	TXV	56,500	19.00	12.50	CH33-50/60C	SL280UH090XV60C	8203223
XC20-060-230A	TXV	56,500	19.00	12.50	CH33-50/60C	SL280UH110V60C	8086285
XC20-060-230A	TXV	56,500	19.00	12.50	CH33-50/60C	SL280UH110XV60C	8203224
XC20-060-230A	TXV	56,500	19.00	12.20	CH33-50/60C	SLP98UH090XV60C	8086286
XC20-060-230A	TXV	56,500	19.00	12.20	CH33-50/60C	SLP98UH110XV60C	8086287
XC20-060-230A	TXV	56,000	19.00	12.50	CH33-60D	EL296UH135XV60D	8086288
XC20-060-230A	TXV	56,000	19.00	12.50	CH33-60D	SL280UH135V60D	8086289
XC20-060-230A	TXV	56,000	19.00	12.50	CH33-60D	SLP98UH135XV60D	8086290
XC20-060-230A	TXV	57,000	19.00	12.75	CH33-62D	EL296UH135XV60D	8086291
XC20-060-230A	TXV	57,000	19.00	13.00	CH33-62D	SL280UH135V60D	8086292
XC20-060-230A	TXV	57,000	19.00	12.75	CH33-62D	SLP98UH135XV60D	8086293
XC20-060-230A	TXV	57,000	19.00	12.50	CH35-51C	EL296UH090XV60C	8086294
XC20-060-230A	TXV	57,000	19.00	12.50	CH35-51C	EL296UH110XV60C	8086295
XC20-060-230A	TXV	57,500	19.00	12.75	CH35-51C	SL280UH090V60C	8086296
XC20-060-230A	TXV	57,500	19.00	12.75	CH35-51C	SL280UH090XV60C	8203219
XC20-060-230A	TXV	57,000	19.00	12.50	CH35-51C	SL280UH110V60C	8086297
XC20-060-230A	TXV	57,000	19.00	12.50	CH35-51C	SL280UH110XV60C	8203220
XC20-060-230A	TXV	57,000	19.00	12.50	CH35-51C	SLP98UH090XV60C	8086298
XC20-060-230A	TXV	57,000	19.00	12.50	CH35-51C	SLP98UH110XV60C	8086299
XC20-060-230A	TXV	57,000	19.00	13.00	CH35-60D	EL296UH135XV60D	8086300
XC20-060-230A	TXV	57,000	19.00	13.00	CH35-60D	SL280UH135V60D	8086301
XC20-060-230A	TXV	57,000	19.00	13.00	CH35-60D	SLP98UH135XV60D	8086302
XC20-060-230A	TXV	55,000	19.00	12.00	CR33-60	EL296DF090XV60C	8203103
XC20-060-230A	TXV	55,000	19.00	12.00	CR33-60	EL296DF110XV60C	8203104
XC20-060-230A	TXV	55,500	19.00	12.50	CR33-60	SL280DF090V60C	8086305
XC20-060-230A	TXV	55,500	19.00	12.50	CR33-60	SL280DF090XV60C	8510378
XC20-060-230A	TXV	55,500	19.00	12.50	CR33-60	SL280DF110V60C	8086306
XC20-060-230A	TXV	55,500	19.00	12.50	CR33-60	SL280DF110XV60C	8510379
XC20-060-230A	TXV	55,000	19.00	12.00	CR33-60	SLP98DF090XV60C	8203105
XC20-060-230A	TXV	55,000	19.00	12.00	CR33-60	SLP98DF110XV60C	8203106
XC20-060-230A	TXV	56,500	19.00	12.50	CX34-49	EL296UH090XV60C	8086309
XC20-060-230A	TXV	56,500	19.00	12.50	CX34-49	EL296UH110XV60C	8086310
XC20-060-230A	TXV	57,000	19.00	13.00	CX34-49	SL280UH090V60C	8086311
XC20-060-230A	TXV	57,000	19.00	13.00	CX34-49	SL280UH090XV60C	8510380
XC20-060-230A	TXV	57,000	19.00	12.50	CX34-49	SL280UH110V60C	8086312
XC20-060-230A	TXV	57,000	19.00	12.50	CX34-49	SL280UH110XV60C	8203216

Ratings AHRI Certified to AHRI Standard 210/240 (with 25 ft. of connecting refrigerant lines); 95°F outdoor air temperature, 80°F db / 67°F wb entering evaporator air. All ratings include the use of a blower time delay relay (TDR). All Lennox variable-speed furnaces and Air Handlers have time delay capabilities. Other Furnaces and Air Handlers may require an optional time delay relay (**58M81**) for field installation. See furnace or air handler specifications to determine if relay is needed. Also see Expansion Valve Kit Usage Table.

## AHRI SYSTEM MATCHES

NOTE - For the latest up-to-date system matches please visit the AHRI web site at <http://www.ahridirectory.org>

Model No.	Expansion Device	Capacity	SEER	EER	Coil or Air Handler	Furnace	AHRI Reference
XC20-060-230A	TXV	56,500	19.00	12.50	CX34-49	SLP98UH090XV60C	8086313
XC20-060-230A	TXV	56,500	19.00	12.50	CX34-49	SLP98UH110XV60C	8086314
XC20-060-230A	TXV	56,500	19.00	12.50	CX34-60D	EL296UH135XV60D	8086315
XC20-060-230A	TXV	57,000	19.00	13.00	CX34-60D	SL280UH135V60D	8086316
XC20-060-230A	TXV	56,500	19.00	12.50	CX34-60D	SLP98UH135XV60D	8086317
XC20-060-230A	TXV	58,000	19.00	12.75	CX34-62C	EL296UH090XV60C	8086318
XC20-060-230A	TXV	58,000	19.00	12.75	CX34-62C	EL296UH110XV60C	8086319
XC20-060-230A	TXV	58,000	19.00	13.00	CX34-62C	SL280UH090V60C	8086320
XC20-060-230A	TXV	58,000	19.00	13.00	CX34-62C	SL280UH090XV60C	8203217
XC20-060-230A	TXV	58,000	19.00	13.00	CX34-62C	SL280UH110V60C	8086321
XC20-060-230A	TXV	58,000	19.00	13.00	CX34-62C	SL280UH110XV60C	8203218
XC20-060-230A	TXV	58,000	19.00	12.75	CX34-62C	SLP98UH090XV60C	8086322
XC20-060-230A	TXV	58,000	19.00	13.00	CX34-62C	SLP98UH110XV60C	8086323
XC20-060-230A	TXV	57,500	19.00	13.00	CX34-62D	EL296UH135XV60D	8086324
XC20-060-230A	TXV	57,500	19.00	13.00	CX34-62D	SL280UH135V60D	8086325
XC20-060-230A	TXV	57,500	19.00	13.00	CX34-62D	SLP98UH135XV60D	8086326
XC20-060-230A	TXV	57,000	19.00	12.50	CX35-49C	EL296UH090XV60C	8463469
XC20-060-230A	TXV	57,000	19.00	12.50	CX35-49C	EL296UH110XV60C	8463470
XC20-060-230A	TXV	57,000	19.00	13.00	CX35-49C	SL280UH090V60C	8463471
XC20-060-230A	TXV	57,000	19.00	13.00	CX35-49C	SL280UH090XV60C	8510381
XC20-060-230A	TXV	57,000	19.00	12.50	CX35-49C	SL280UH110V60C	8463472
XC20-060-230A	TXV	57,000	19.00	12.50	CX35-49C	SL280UH110XV60C	8510382
XC20-060-230A	TXV	57,000	19.00	12.50	CX35-49C	SLP98UH090XV60C	8463473
XC20-060-230A	TXV	57,000	19.00	12.50	CX35-49C	SLP98UH110XV60C	8463474
XC20-060-230A	TXV	58,000	19.00	12.75	CX35-60C	EL296UH090XV60C	8463475
XC20-060-230A	TXV	58,000	19.00	12.75	CX35-60C	EL296UH110XV60C	8463476
XC20-060-230A	TXV	58,500	19.00	13.00	CX35-60C	SL280UH090V60C	8463477
XC20-060-230A	TXV	58,500	19.00	13.00	CX35-60C	SL280UH090XV60C	8510383
XC20-060-230A	TXV	58,500	19.00	13.00	CX35-60C	SL280UH110V60C	8463478
XC20-060-230A	TXV	58,500	19.00	13.00	CX35-60C	SL280UH110XV60C	8510384
XC20-060-230A	TXV	58,000	19.00	12.75	CX35-60C	SLP98UH090XV60C	8463479
XC20-060-230A	TXV	58,000	19.00	13.00	CX35-60C	SLP98UH110XV60C	8463480
XC20-060-230A	TXV	57,500	19.00	13.00	CX35-60D	EL296UH135XV60D	8463481
XC20-060-230A	TXV	58,000	19.00	13.00	CX35-60D	SL280UH135V60D	8463482
XC20-060-230A	TXV	57,500	19.00	13.00	CX35-60D	SLP98UH135XV60D	8463483

Ratings AHRI Certified to AHRI Standard 210/240 (with 25 ft. of connecting refrigerant lines); 95°F outdoor air temperature, 80°F db / 67°F wb entering evaporator air.

All ratings include the use of a blower time delay relay (TDR). All Lennox variable-speed furnaces and Air Handlers have time delay capabilities. Other Furnaces and Air Handlers may require an optional time delay relay (**58M81**) for field installation. See furnace or air handler specifications to determine if relay is needed.

Also see Expansion Valve Kit Usage Table.









## REVISIONS

Sections	Description of Change
AHRI System Matches	Updated.



Visit us at [www.lennox.com](http://www.lennox.com)

For the latest technical information, [www.lennox.com](http://www.lennox.com)

Contact us at 1-800-4-LENNOX

NOTE - Due to Lennox' ongoing commitment to quality, Specifications, Ratings and Dimensions subject to change without notice and without incurring liability. Improper installation, adjustment, alteration, service or maintenance can cause property damage or personal injury. Installation and service must be performed by a qualified installer and servicing agency.

©2015 Lennox Industries, Inc.