

**HEAT PUMP OUTDOOR UNITS**



**XPI4**  
**ELITE® Series**  
**R-410A**

**PRODUCT SPECIFICATIONS**

Bulletin No. 210495  
April 2017  
Supersedes February 2017

**ELITE®**  
**SERIES**



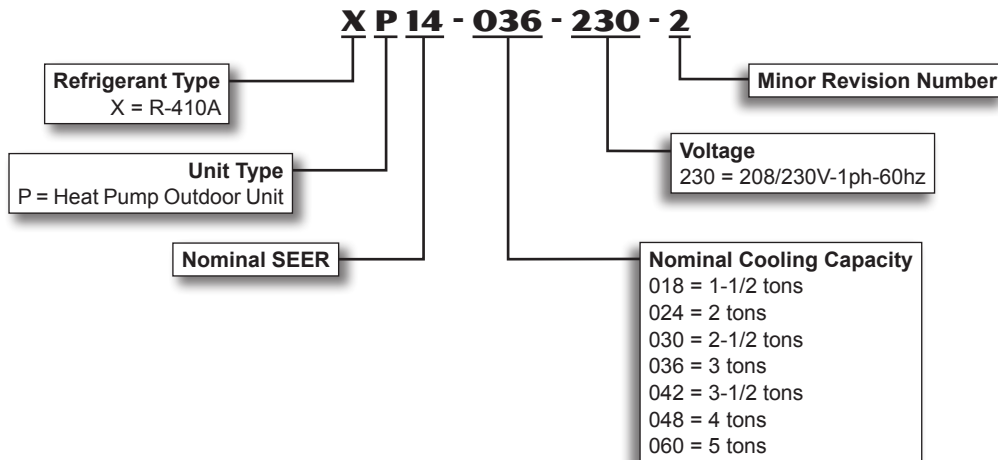
**SEER up to 16.00**

**1.5 to 5 Tons**

**Cooling Capacity - 18,000 to 61,000 Btuh**

**Heating Capacity - 17,500 to 58,500 Btuh**

**MODEL NUMBER IDENTIFICATION**



## FEATURES

### CONTENTS

AHRI System Matches.....	10
Dimensions.....	8
Electrical Data.....	6
Features.....	2
Field Wiring.....	7
Installation Clearances.....	7
Model Number Identification.....	1
Optional Accessories.....	6
Sound Data.....	7
Specifications.....	6

### EQUIPMENT WARRANTY

**Compressor** - Limited warranty for **ten years** in residential installations and five years in non-residential installations.

**All other covered components** - Five years in residential installations and one year in non-residential installations.

Refer to Lennox Equipment Limited Warranty certificate included with unit for specific details.

### APPLICATIONS

SEER up to 16.00.

HSPF (Region IV) up to 9.50.

1.5 through 5 tons.

Single phase power supply.

Vertical air discharge allows concealment behind shrubs at grade level or out of sight on a roof.

Designed for applications with remotely located indoor air handler units or gas furnaces with indoor add-on coils.

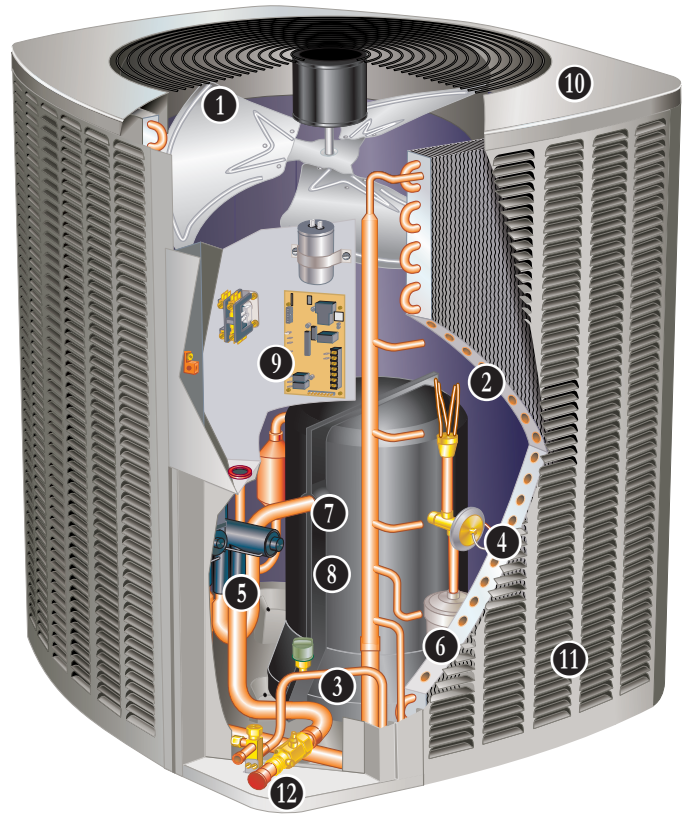
When heat pumps are used with gas furnaces, a dual-fuel compatible thermostat or a zone control system with dual-fuel capabilities must be used (order separately).

See Indoor Coils and Air Handlers sections for indoor unit data.

Units shipped completely factory assembled, piped and wired. Each unit is test operated at the factory ensuring proper operation.

Installer must set outdoor unit, connect refrigerant lines and make electrical connections to complete job.

For expanded ratings, see [www.LennoxPROs.com](http://www.LennoxPROs.com).



### APPROVALS

AHRI Certified to AHRI Standard 210/240-2008.

Sound rated in Lennox reverberant sound test room in Accordance with test conditions included in AHRI Standard 270-2008.

Tested in the Lennox Research Laboratory environmental test room.

Rated According to U.S. Department of Energy (DOE) test procedures.

Units and components within bonded for grounding to meet safety standards for servicing required by UL, NEC and CEC.

Units are ETL certified for U.S. and Canada.

ISO 9001 Registered Manufacturing Quality System.

## FEATURES

### REFRIGERATION SYSTEM

#### R-410A Refrigerant

Non-chlorine, ozone friendly, R-410A.

Unit is factory pre-charged with refrigerant. Total system refrigerant charge is dependant on outdoor unit size, indoor unit size and refrigerant line length.



Refer to the unit-mounted charging sticker to determine correct amount of charge required.

See Specification table.

#### 1 Outdoor Coil Fan

Direct drive fan moves large air volumes uniformly through entire outdoor coil for high refrigerant cooling capacity.

Vertical air discharge minimizes operating sounds and eliminates damage to lawn and shrubs.

Fan motor has ball bearings and is inherently protected.

Motor totally enclosed for maximum protection from weather, dust and corrosion

Fan guard constructed of corrosion-resistant PVC (polyvinyl chloride) coated steel.

Fan service access accomplished by removal of fan guard.

#### 2 Copper Tube/Enhanced Fin Coil

Lennox designed and fabricated coil.

Ripple-edged aluminum fins.

Copper tube construction.

Lanced fins provide maximum exposure of fin surface to air stream resulting in excellent heat transfer.

Fin collars grip tubing for maximum contact area.

Flared shoulder tubing connections/silver soldering construction.

Coil is factory tested under high pressure to ensure leakproof construction.

Entire coil is accessible for cleaning.

#### 3 High Pressure Switch

Protects the system from high pressure conditions that can be a result of fan failure or a blocked/dirty coil.

Automatic reset.

#### Low Pressure Switch

Shuts off unit if suction pressure falls below setting.

Provides loss of charge and freeze-up protection.

Automatic reset.

#### 4 Expansion Valve - Outdoor Unit

Designed and sized specifically for use in heat pump system.

Sensing bulb is located on the suction line between the coil and the reversing valve thus sensing evaporator out temperature in the heat cycle.

Factory installed and piped.

#### 5 Reversing Valve

4-way interchange reversing valve effects a rapid change in direction of refrigerant flow resulting in quick changeover from cooling to heating and vice versa.

Valve operates on pressure differential between outdoor unit and indoor unit of the system. Factory installed.

#### 6 Hi-Capacity Liquid Line Drier

Factory installed in the liquid line, the drier traps moisture or dirt that could contaminate the refrigerant system.

100% molecular-sieve bead type drier.

### Optional Accessories

#### Check/Expansion Valve Kits

Must be ordered separately and field installed on certain indoor units. See TXV Usage table.

Chatleff style fitting.

#### Freezestat

Installs on or near the vapor line of the indoor coil or on the suction line.

Senses suction line temperature and cycles the compressor off when suction line temperature falls below it's setpoint.

Opens at 29°F and closes at 58°F.

#### Refrigerant Line Kits

Refrigerant lines (suction & liquid) are shipped refrigeration clean. Lines are cleaned, dried, pressurized and sealed at factory.

Suction line fully insulated.

Lines are stubbed at both ends.

Not available for -060 models and must be field fabricated.

## FEATURES

### COMPRESSOR

#### 7 Scroll Compressor

Compressor features high efficiency with uniform suction flow, constant discharge flow, high volumetric efficiency and quiet operation. The muffler in discharge line reduces operating sound levels.

Compressor consists of two involute spiral scrolls matched together to generate a series of crescent shaped gas pockets between them.

During compression, one scroll remains stationary while the other scroll orbits around it.

Gas is drawn into the outer pocket, the pocket is sealed as the scroll rotates. As the spiral movement continues, gas pockets are pushed to the center of the scrolls. Volume between the pockets is simultaneously reduced.

When the pocket reaches the center, gas is now at high pressure and is forced out of a port located in the center of the fixed scrolls.

During compression, several pockets are compressed simultaneously resulting in a smooth continuous compression cycle. Continuous flank contact, maintained by centrifugal force, minimizes gas leakage and maximizes efficiency.

Scroll compressor is tolerant to the effects of slugging and contaminants. If this occurs, scrolls separate, allowing liquid or contaminants to be worked toward the center and discharged.

Low gas pulses during compression reduces operational sound levels.

Compressor motor is internally protected from excessive current and temperature.

Compressor is installed in the unit on resilient rubber mounts for vibration free operation.

#### Crankcase Heater (-036-042-048-060)

Factory installed on -036, -042, -048 and -060 models.

Crankcase heater prevents migration of liquid refrigerant into compressor and ensures proper compressor lubrication.

#### 8 Compressor Sound Dampening System

A polyethylene compressor cover containing a 2 inch thick batt of fiberglass insulation for better sound dampening.

All open edges are sealed with a one-inch wide hook and loop fastening tape.



### Optional Accessories

#### Crankcase Heater (Optional for - 018-024-030)

Crankcase heater prevents migration of liquid refrigerant into compressor and ensures proper compressor lubrication. **Compressor Hard Start Kit**

Single-phase units are equipped with a PSC compressor motor.

This type of motor normally does not need a potential relay and start capacitor.

In conditions such as low voltage, kit may be required to increase the compressor starting torque.

#### Compressor Low Ambient Cut-Off

Non-adjustable switch (low ambient cut-out) prevents compressor operation when outdoor temperature is below 35°F.

### CONTROLS

#### 9 Defrost Control

Time/temperature defrost control is furnished as standard equipment.

Control initiates a defrost cycle every 30, 60 or 90 minutes of compressor "on" time at outdoor coil temperatures below 42°F. Factory setting is 90 minutes.

Anti-short cycle, timed-off control (5 minutes).

Compressor delay (30 seconds, field selectable) for cycling the compressor in and out of the defrost mode.

High and low pressure switch monitoring with five-trip lockout.

Two diagnostic LEDs furnished as an aid in troubleshooting.

Conveniently located in control box.

Anti-short cycle (5 minutes) incorporated into the board.

Diagnostic LEDs furnished as an aid in troubleshooting.

Conveniently located in control box.

### Optional Accessories

#### Indoor Blower Off Delay Relay

Delays the indoor blower-off time during the cooling cycle. See AHRI System Matches for usage.

#### Low Ambient Kit

Heat pump in the cooling mode will operate satisfactorily down to 45°F outdoor air temperature without any additional controls.

Kit can be added in the field enabling unit to operate properly down to 30°F.

Crankcase heater (optional for -018-024-030 models) and freezestat should be installed on compressors equipped with a low ambient kit.

A compressor lock-out thermostat should be added to terminate compressor operation below recommended operation conditions.

## FEATURES

### **CONTROLS (continued)**

#### **Optional Accessories**

##### **Low Pressure Switch Bypass Thermostat**

For use in applications where the heat pump is operated in outdoor ambient temperatures below 15°F.

Prevents nuisance trips from the low pressure switch.

Wired in parallel with the low pressure switch.

##### **Mild Weather Kit**

Heat pump units operate satisfactorily in the heating mode at outdoor air temperatures up to 75°F.

Mild Weather Kit can be field installed, allowing heating operation above 75°F.

##### **Monitor Kit - Service Light**

Contains ambient compensating thermistor and service light thermostat. For use with thermostats requiring input for indicator lights.

##### **Outdoor Thermostat Kit**

An outdoor thermostat can be used to lock out some of the electric heating elements on indoor units where two stage control is applicable.

Outdoor thermostat maintains the heating load on the low power input as long as possible before allowing the full power load to come on the line.

Thermostat kit and mounting box must be ordered separately.

### **10 CABINET**

Heavy-gauge steel construction

Pre-painted cabinet finish.

Control box is conveniently located with all controls factory wired.

Corner patch plate allows access to compressor components.

Drainage holes are provided in base section for moisture removal.

Drainage holes are provided in base section for moisture removal.

High density polyethylene unit support feet raise the unit off of the mounting surface, away from damaging moisture.

#### **PermaGuard™ Unit Base**

Durable zinc-coated base section resists rust and corrosion.

### **11 SmartHinge Louvered Coil Protection**

Steel louvered panels provides complete coil protection.

Panels are hinged to allow easy cleaning and servicing of coils. Panels may be completely removed.

Interlocking tabs and slots assure tight fit on cabinet.



#### **Refrigerant Line Connections, Electrical Inlets and Service Valves**

- 12** Suction and liquid lines are located on corner of unit cabinet and are made with sweat connections. See dimension drawing.

Fully serviceable brass service valves prevent corrosion and provide access to refrigerant system. Suction valve can be fully shut off, while liquid valve may be front seated to manage refrigerant charge while servicing system.

Refrigerant line connections and field wiring inlets are located in one central area of the cabinet. See dimension drawing.

#### **Optional Accessories**

##### **Snow Guard (Optional for -042-048-060 models only)**

For use in locations where the possibility of heavy snow or freezing rain accumulation may occur.

Heavy gauge powder coated steel guard deflects snow and ice away from the outdoor fan and prevents build-up on the fan guard.

## SPECIFICATIONS

General		Model No.	XP14-018	XP14-024	XP14-030	XP14-036	XP14-042	XP14-048	XP14-060
<b>Data</b>	<b>Nominal Tonnage</b>		1.5	2	2.5	3	3.5	4	5
<b>Connections (sweat)</b>	Liquid line o.d. - in.		3/8	3/8	3/8	3/8	3/8	3/8	3/8
	Vapor line o.d. - in.		3/4	3/4	3/4	7/8	7/8	7/8	1-1/8
<sup>1</sup> <b>Refrigerant</b>	R-410A charge furnished		5 lbs. 11 oz.	5 lbs. 14 oz.	5 lbs. 10 oz.	9 lbs. 6 oz.	11 lbs. 14 oz.	10 lbs. 7 oz.	12 lbs. 5 oz.
<b>Outdoor Coil</b>	Net face area sq. ft.	Outer coil	21.00	21.00	21.00	18.67	24.93	24.93	29.09
		Inner coil	---	---	---	18.01	24.13	24.13	28.16
	Tube diameter - in.		5/16	5/16	5/16	5/16	5/16	5/16	5/16
	No. of rows		1	1	1	2	2	2	2
Fins per inch		22	22	22	22	22	22	22	22
<b>Outdoor Fan</b>	Diameter - in.		22	22	22	22	26	26	26
	No. of Blades		3	3	3	3	4	4	4
	Motor hp		1/6	1/6	1/6	1/6	1/3	1/3	1/3
	Cfm		2670	2670	2890	2870	4347	4347	4550
	Rpm		867	867	847	839	843	843	830
	Watts		168	177	200	205	299	299	307
<b>Shipping Data - lbs. 1 package</b>			213	213	213	236	310	312	339

## ELECTRICAL DATA

<b>Line voltage data - 60 hz - 1ph</b>	208/230V	208/230V	208/230V	208/230V	208/230V	208/230V	208/230V	
<sup>2</sup> <b>Maximum overcurrent protection (amps)</b>	20	30	30	30	40	50	50	
<sup>3</sup> <b>Minimum circuit ampacity</b>	12.2	17.9	17.4	18.7	24.2	29.0	29.4	
<b>Compressor</b>	Rated Load Amps	9.0	13.5	13.1	14.08	17.92	21.76	22.1
	Locked Rotor Amps	48	58	64	77	112	117	125
	Power Factor	0.98	0.98	0.98	0.99	0.99	0.99	0.99
<b>Outdoor Fan Motor</b>	Full Load Amps	1.0	1.1	1.1	1.1	1.8	1.8	1.8
	Locked Rotor Amps	1.9	1.9	1.9	1.9	2.9	2.1	2.1

## OPTIONAL ACCESSORIES - ORDER SEPARATELY

<b>Compressor Crankcase Heater</b>	<b>93M04</b>	•	•	•	Factory	Factory	Factory	Factory
<b>Compressor Hard Start Kit</b>	<b>10J42</b>	•						
	<b>88M91</b>		•	•	•	•	•	•
<b>Compressor Low Ambient Cut-Off</b>	<b>45F08</b>	•	•	•	•	•	•	•
<b>Freezestat</b>	3/8 in. tubing <b>93G35</b>	•	•	•	•	•	•	•
	5/8 in. tubing <b>50A93</b>	•	•	•	•	•	•	•
<b>Indoor Blower Off Delay Relay</b>	<b>58M81</b>	•	•	•	•	•	•	•
<sup>4</sup> <b>Low Ambient Kit</b>	<b>54M89</b>	•	•	•	•	•	•	•
<b>Low Pressure Switch Bypass Thermostat</b>	<b>13W07</b>	•	•	•	•	•	•	•
<b>Mild Weather Kit</b>	<b>33M07</b>	•	•	•	•	•	•	•
<b>Monitor Kit - Service Light</b>	<b>76F53</b>	•	•	•	•	•	•	•
<b>Outdoor Thermostat Kit</b>	Thermostat <b>56A87</b>	•	•	•	•	•	•	•
	Mounting Box <b>31461</b>	•	•	•	•	•	•	•
<b>Refrigerant Line Sets</b>	L15-41-20 L15-41-30	•	•	•				
	L15-41-40 L15-41-50							
	L15-65-30 L15-65-40 L15-65-50				•	•	•	
	Field Fabricate							•
<sup>5</sup> <b>Snow Guards</b>	35-1/2 x 31 in. (Canada only) <b>X8780</b>	•	•	•	•			
	39-1/2 x 35-5/8 in. <b>Y1033</b>					•	•	•

NOTE - Extremes of operating range are plus 10% and minus 5% of line voltage.

<sup>1</sup> Refrigerant charge sufficient for 15 ft. length of refrigerant lines. For longer line set requirements see the Installation Instructions for information about line set length and additional refrigerant charge required.

<sup>2</sup> HACR type circuit breaker or fuse.

<sup>3</sup> Refer to National or Canadian Electrical Code manual to determine wire, fuse and disconnect size requirements.

<sup>4</sup> Crankcase Heater and Freezestat are recommended with Low Ambient Kit.

<sup>5</sup> Adds 11-1/2 inches (292 mm) to unit height.

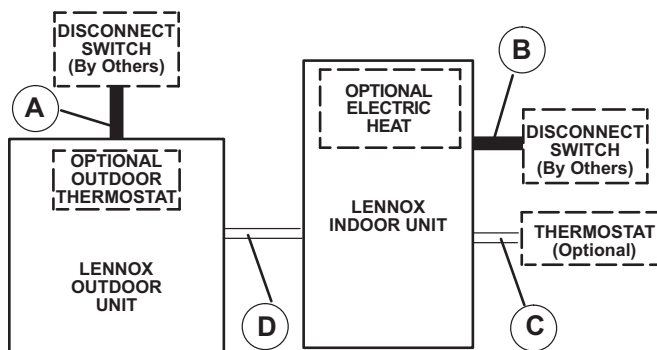
## SOUND DATA

<sup>1</sup> Unit Model No.	Octave Band Linear Sound Power Levels dB, re 10 <sup>-12</sup> Watts Center Frequency - HZ							<sup>1</sup> Sound Rating Number (dB)
	125	250	500	1000	2000	4000	8000	
XP14-018	70.5	67.5	69.5	66.5	59.5	53.5	47.5	71
XP14-024	71	68	68.5	65.5	60	54.5	48.5	71
XP14-030	71.5	66.5	67.5	65.5	59.5	54.5	48.5	71
XP14-036	80.5	70.5	69.5	65.5	60.5	55	51	71
XP14-042	82	70.5	70	67	63.5	55.5	52.5	71
XP14-048	80.5	70.5	70	66.5	61.5	55.5	53.5	73
XP14-060	82	69.5	69	67.5	63.5	66	53.5	73

NOTE - the octave sound power data does not include tonal correction.

<sup>1</sup> Tested according to AHRI Standard 270-2008 test conditions.

## FIELD WIRING



A - Two Wire Power (see Electrical Data)

B - Two or Three Wire Power (size to heater capacity)

C - Twelve Wire Low Voltage 18 ga. minimum  
Fourteen Wire Low Voltage with Optional Outdoor Thermostat

D - Eight Wire Low Voltage 18 ga. minimum  
Ten Wire Low Voltage with Optional Outdoor Thermostat

*NOTE - Field Wiring Not Furnished*

All wiring must conform to NEC or CEC and local electrical codes.

## INSTALLATION CLEARANCES

### NOTES:

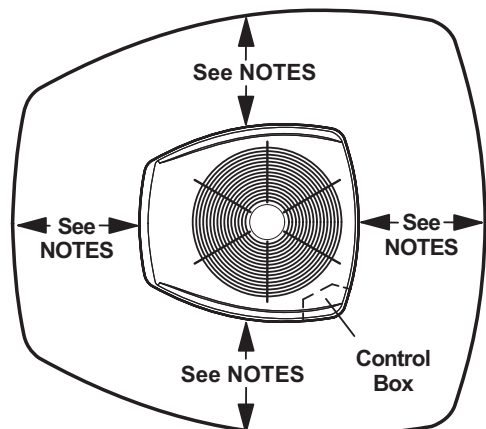
Service clearance of 30 in. (762 mm) must be maintained on one of the sides adjacent to the control box.

Clearance to one of the other three sides must be 36 in. (914 mm)

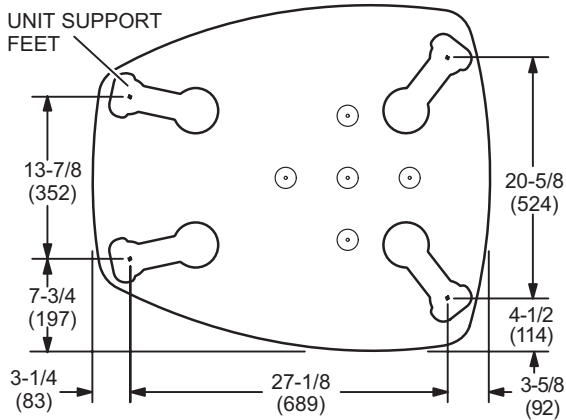
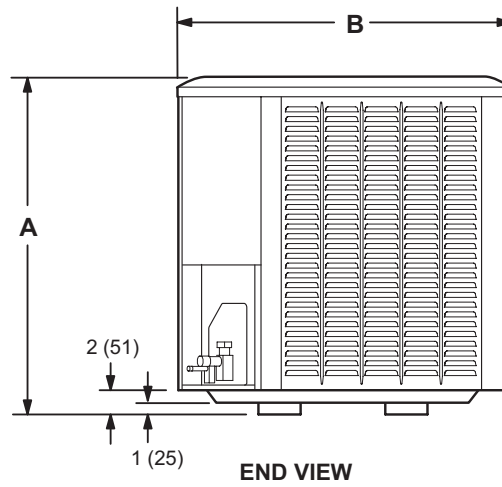
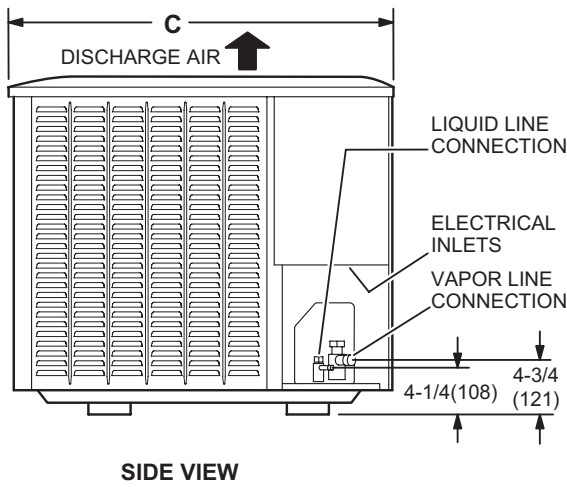
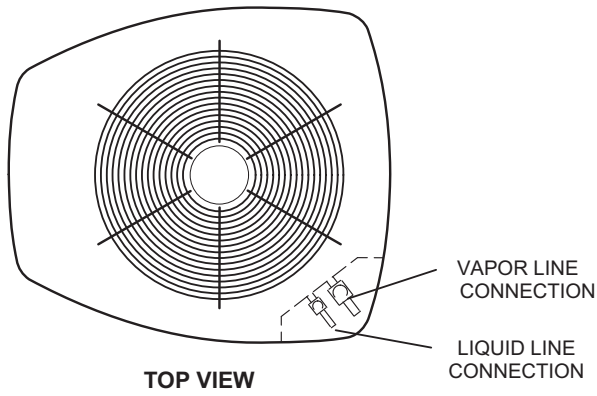
Clearance to one of the remaining two sides may be 12 in. (305 mm) and the final side may be 6 in. (152 mm).

A clearance of 24 in. (610 mm) must be maintained between two units.

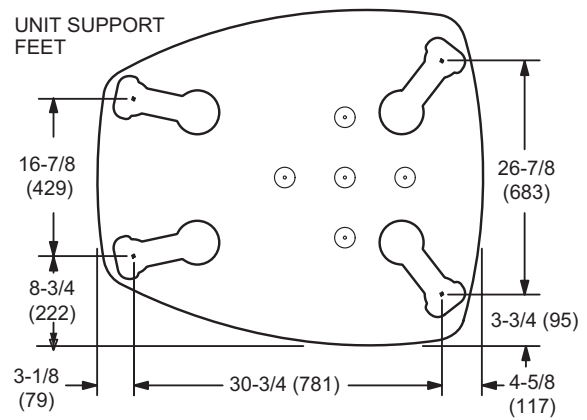
48 in. (1219 mm) clearance required on top of unit.



# DIMENSIONS - INCHES (MM)



**XP14-018 TO -036 BASE SECTION  
(Medium Base)**



**XP14-042 TO -060 BASE SECTION  
(Large Base)**

Model No.	A		B		C	
	in.	mm	in.	mm	in.	mm
XP14-018	39	787	30-1/2	775	35	889
XP14-024	39	991	30-1/2	775	35	889
XP14-030	39	991	30-1/2	775	35	889
XP14-036	35	889	30-1/2	775	35	889
XP14-042	39	991	35-1/2	902	39-1/2	1003
XP14-048	39	991	35-1/2	902	39-1/2	1003
XP14-060	45	1143	35-1/2	902	39-1/2	1003



## TXV USAGE

Use this table for C33, CH23, CH33 and CR33 Field Installed TXV Match-Ups.

Model No.	Order No.
XP14-018	12J18
XP14-024	12J18
XP14-030	12J18
XP14-036	12J19
XP14-042	12J20
XP14-048	12J20
XP14-060	12J20

CX34 upflow coils and all Lennox air handlers are shipped with a factory installed TXV. In most cases, no change out of the valve is needed.

If a change out is required it will be listed in the "TXV SUBSTITUTIONS" table. The correct TXV must be ordered and field installed.

C33 and CH33 coils - Replace the factory installed orifice with the expansion valve listed.

CR33 and CH23 - Use the expansion valve listed.

## MOST POPULAR MATCHES

Outdoor Model No.	Outdoor Model No
XP14-018	CBX25UH-018
XP14-024	CBX25UH-024
XP14-030	CBX25UH-030
XP14-036	CBX25UH-036
XP14-042	CBX25UH-042
XP14-048	CBX25UH-048
XP14-060	CBX25UH-060

## \*TXV SUBSTITUTIONS

Use this table to determine if the factory installed TXV in the indoor unit needs to be replaced.

Model No.	Indoor Coil	Factory TXV	Replacement TXV
XP14-030	CX34-42	12J20	12J18
XP14-030	CX34-43	12J20	12J18
XP14-030	CX34-44/48	12J20	12J18

\*CX34 coils - The factory installed expansion valve must be replaced with the expansion valve listed (ordered separately).

If the combination is not listed above, the factory installed TXV is used.

## AHRI STANDARD 210/240

Cooling or heating capacities are net values, including the effects of blower motor heat, and do not include supplementary heat. Power input is the total power input to the compressor(s) and fan(s), plus any controls and other items required as part of the system for normal operation.

Units which do not have an indoor air-circulating blower furnished as part of the model, i.e., split system with indoor coil only, is established by subtracting from the total cooling capacity 1250 Btu/h per 1,000 cfm, and by adding the same amount to the heating capacity. Total power input for both heating and cooling is increased by 365 W per 1,000 cfm of indoor air circulated.

## AHRI SYSTEM MATCHES

Model No.	Cooling Capacity	SEER	EER	Heat Capacity		Heat COP		HSPF (IV)	Coil or Air Handler	Furnace	AHRI Reference
				High	Low	High	Low				
XP14-018-230A	18,000	16.00	13.00	17,500	11,100	3.80	2.56	8.50	C33-25A	EL180UH045E36A	7533486
XP14-018-230A	18,000	16.00	13.00	17,600	11,100	3.86	2.58	8.50	C33-31A	EL180UH045E36A	7533484
XP14-018-230A	18,000	16.00	13.00	17,500	11,100	3.80	2.56	8.50	C37-25A	EL180UH045E36A	10086311
XP14-018-230A	18,000	16.00	13.00	17,600	11,100	3.86	2.58	8.50	C37-31A	EL180UH045E36A	10086309
XP14-018-230A	18,000	16.00	13.00	17,500	11,100	4.00	2.74	8.50	CBA27UHE-018		10260307
XP14-018-230A	18,000	16.00	13.00	17,500	11,100	4.00	2.74	8.50	CBA27UHE-024		10260308
XP14-018-230A	18,000	14.00	12.00	17,800	11,800	3.52	2.48	8.20	CBX25UH-018		7533471
XP14-018-230A	18,000	15.00	12.50	17,600	11,600	3.64	2.54	8.50	CBX25UHV-018		7533472
XP14-018-230A	18,000	15.50	12.50	18,000	11,600	3.80	2.62	8.50	CBX25UHV-024		7533489
XP14-018-230A	18,000	16.00	13.00	17,500	11,100	3.92	2.62	8.50	CBX27UH-018		7533475
XP14-018-230A	18,000	16.00	13.00	17,500	11,100	3.96	2.64	8.50	CBX27UH-024		7533474
XP14-018-230A	18,000	15.50	12.50	17,700	11,100	3.84	2.56	8.50	CBX32MV-018/024		7533477
XP14-018-230A	18,000	16.00	13.00	17,700	11,300	3.90	2.62	8.50	CH33-25A	EL180UH045E36A	7533479
XP14-018-230A	18,000	14.00	12.00	18,000	11,700	3.56	2.42	8.20	CH33-25A		7533478
XP14-018-230A	18,000	14.00	11.50	18,000	11,700	3.56	2.42	8.20	CH33-25B		7533481
XP14-018-230A	18,000	16.00	13.00	18,000	11,400	4.06	2.66	8.50	CR33-30/36A	EL180DF045E36A	7533488
XP14-018-230A	18,000	16.00	13.00	17,500	11,100	3.80	2.56	8.50	CX34-25A	EL180UH045E36A	7533485
XP14-018-230A	18,000	16.00	13.00	17,600	11,100	3.86	2.58	8.50	CX34-31A	EL180UH045E36A	7533482
XP14-018-230A	18,000	16.00	13.00	17,500	11,100	3.80	2.56	8.50	CX38-25A	EL180UH045E36A	10086310
XP14-018-230A	18,000	16.00	13.00	17,600	11,100	3.86	2.58	8.50	CX38-31A	EL180UH045E36A	10086308
XP14-024-230	24,000	15.50	13.00	21,400	13,500	3.50	2.44	8.20	C33-25	EL180UH045E36A	5741752
XP14-024-230	24,800	16.00	13.50	21,600	13,500	3.68	2.52	8.50	C33-25	EL180UH070E36B	5742030
XP14-024-230	24,200	15.50	13.00	21,400	13,500	3.52	2.44	8.20	C33-25	EL195UH045XE36B	5431380
XP14-024-230	24,600	15.70	13.20	21,600	13,600	3.60	2.48	8.50	C33-25	EL195UH070XE36B	5431372
XP14-024-230	24,200	15.50	13.00	21,400	13,500	3.52	2.44	8.20	C33-25	EL296UH045XE36B	5650630
XP14-024-230	24,600	16.00	13.00	21,600	13,500	3.66	2.50	8.50	C33-25	EL296UH045XV36B	5562666
XP14-024-230	24,600	15.70	13.20	21,600	13,600	3.60	2.48	8.50	C33-25	EL296UH070XE36B	5650629
XP14-024-230	24,600	16.00	13.00	21,600	13,500	3.68	2.50	8.50	C33-25	EL296UH070XV36B	5562673
XP14-024-230	24,800	15.70	13.00	21,800	13,600	3.68	2.48	8.20	C33-25	SL280UH070V36A	5532364
XP14-024-230	24,800	15.70	13.00	21,800	13,600	3.68	2.48	8.20	C33-25	SL280UH070XV36A	8133171
XP14-024-230	24,800	16.00	13.00	21,600	13,500	3.72	2.52	8.50	C33-25	SL280UH090V36B	5532458
XP14-024-230	24,400	15.10	13.00	21,600	13,600	3.60	2.48	8.20	C33-25	SL280UH090V48B	5431275
XP14-024-230	24,400	15.10	13.00	21,600	13,600	3.60	2.48	8.20	C33-25	SL280UH090XV48B	8133190
XP14-024-230	24,600	16.00	13.00	21,600	13,500	3.68	2.50	8.50	C33-25	SLP98UH070XV36B	5431384
XP14-024-230	24,400	15.70	13.20	21,400	13,500	3.60	2.48	8.50	C33-31	EL180UH045E36A	5741754
XP14-024-230	24,800	16.00	13.50	21,600	13,500	3.70	2.52	8.50	C33-31	EL180UH070E36B	5742033
XP14-024-230	24,200	15.50	13.00	21,400	13,500	3.54	2.44	8.20	C33-31	EL195UH045XE36B	5431381
XP14-024-230	24,600	15.70	13.20	21,600	13,600	3.62	2.48	8.50	C33-31	EL195UH070XE36B	5431373
XP14-024-230	24,200	15.50	13.00	21,400	13,500	3.54	2.44	8.20	C33-31	EL296UH045XE36B	5650636
XP14-024-230	24,600	16.00	13.00	21,600	13,500	3.68	2.50	8.50	C33-31	EL296UH045XV36B	5562660
XP14-024-230	24,600	15.70	13.20	21,600	13,600	3.62	2.48	8.50	C33-31	EL296UH070XE36B	5650635
XP14-024-230	24,600	16.00	13.00	21,600	13,500	3.70	2.52	8.50	C33-31	EL296UH070XV36B	5562675
XP14-024-230	24,800	16.00	13.00	21,600	13,500	3.74	2.54	8.50	C33-31	SL280UH070V36A	5532366
XP14-024-230	24,800	16.00	13.00	21,600	13,500	3.74	2.54	8.50	C33-31	SL280UH070XV36A	8133173
XP14-024-230	24,800	15.10	13.50	21,600	13,500	3.74	2.54	8.50	C33-31	SL280UH090V36B	5532453
XP14-024-230	24,600	15.10	13.00	21,600	13,600	3.62	2.48	8.20	C33-31	SL280UH090V48B	5431282
XP14-024-230	24,600	15.10	13.00	21,600	13,600	3.62	2.48	8.20	C33-31	SL280UH090XV48B	8133191

### NOTES:

Ratings are AHRI certified to AHRI Standard 210/240 (with 25 ft. of connecting refrigerant lines);

- Cooling Ratings - 95°F outdoor air temperature and 80°F db/67°F wb entering indoor coil air.

- High Temperature Heating Ratings - 47°F db/43°F wb outdoor air temperature and 70°F db entering indoor coil air.

- Low Temperature Heating Ratings - 17°F db/15°F wb outdoor air temperature and 70°F db entering indoor coil air.

All ratings include the use of a blower time delay relay (TDR). All Lennox variable-speed Furnaces and Air Handlers have time delay capabilities. Other Furnaces and Air Handlers may require an optional time delay relay (**58M81**) for field installation. See furnace or air handler specifications to determine if relay is needed.

Also see TXV Substitution Table at the beginning of the Heat Pump AHRI System Matches section.

When used with gas furnaces, a dual-fuel control, a control system with dual-fuel capabilities (LZP-2 or LZP-4), or a thermostat with dual-fuel capabilities must be used (ordered extra).

To convert HSPF from Region IV to Region V - Divide by 1.15.

## AHRI SYSTEM MATCHES

Model No.	Cooling Capacity	SEER	EER	Heat Capacity		Heat High	COP Low	HSPF (IV)	Coil or Air Handler	Furnace	AHRI Reference
				High	Low						
XP14-024-230	24,600	16.00	13.00	21,600	13,500	3.70	2.52	8.50	C33-31	SLP98UH070XV36B	5431385
XP14-024-230	24,000	15.70	13.00	21,400	13,500	3.58	2.48	8.50	C33-36	EL180UH045E36A	5741758
XP14-024-230	24,400	16.00	13.00	21,600	13,500	3.70	2.52	8.50	C33-36	EL180UH070E36B	5742034
XP14-024-230	23,800	15.50	12.70	21,400	13,500	3.54	2.44	8.20	C33-36	EL195UH045XE36B	5431382
XP14-024-230	24,200	15.50	13.00	21,600	13,600	3.62	2.48	8.50	C33-36	EL195UH070XE36B	5431374
XP14-024-230	23,800	15.50	12.70	21,400	13,500	3.54	2.44	8.20	C33-36	EL296UH045XE36B	5650639
XP14-024-230	24,400	15.70	13.20	21,600	13,600	3.68	2.52	8.50	C33-36	EL296UH045XV36B	5562663
XP14-024-230	24,200	15.50	13.00	21,600	13,600	3.62	2.48	8.50	C33-36	EL296UH070XE36B	5650638
XP14-024-230	24,400	16.00	13.00	21,600	13,500	3.70	2.50	8.50	C33-36	EL296UH070XV36B	5562670
XP14-024-230	24,400	16.00	13.00	21,400	13,500	3.68	2.52	8.50	C33-36	EL296UH090XV36C	5562681
XP14-024-230	24,600	16.00	13.00	21,600	13,500	3.72	2.54	8.50	C33-36	SL280UH070V36A	5532368
XP14-024-230	24,600	16.00	13.00	21,600	13,500	3.72	2.54	8.50	C33-36	SL280UH070XV36A	8133175
XP14-024-230	24,600	16.00	13.00	21,600	13,500	3.74	2.54	8.50	C33-36	SL280UH090V36B	5532455
XP14-024-230	24,400	15.10	13.00	21,600	13,600	3.62	2.48	8.50	C33-36	SL280UH090V48B	5431289
XP14-024-230	24,400	15.10	13.00	21,600	13,600	3.62	2.48	8.50	C33-36	SL280UH090XV48B	8133192
XP14-024-230	24,400	16.00	13.00	21,600	13,500	3.70	2.50	8.50	C33-36	SLP98UH070XV36B	5431386
XP14-024-230	24,400	16.00	13.00	21,400	13,500	3.68	2.52	8.50	C33-36	SLP98UH090XV36C	5431387
XP14-024-230	24,000	15.50	13.00	21,400	13,500	3.50	2.44	8.20	C37-25A	EL180UH045E36A	10086279
XP14-024-230	24,800	15.70	13.00	21,800	13,600	3.68	2.48	8.20	C37-25A	SL280UH070V36A	10086160
XP14-024-230	24,800	15.70	13.00	21,800	13,600	3.68	2.48	8.20	C37-25A	SL280UH070XV36A	10086312
XP14-024-230	24,800	16.00	13.50	21,600	13,500	3.68	2.52	8.50	C37-25B	EL180UH070E36B	10086280
XP14-024-230	24,200	15.50	13.00	21,400	13,500	3.52	2.44	8.20	C37-25B	EL195UH045XE36B	10086077
XP14-024-230	24,600	15.70	13.20	21,600	13,600	3.60	2.48	8.50	C37-25B	EL195UH070XE36B	10086076
XP14-024-230	24,200	15.50	13.00	21,400	13,500	3.52	2.44	8.20	C37-25B	EL296UH045XE36B	10086229
XP14-024-230	24,600	16.00	13.00	21,600	13,500	3.66	2.50	8.50	C37-25B	EL296UH045XV36B	10086201
XP14-024-230	24,600	15.70	13.20	21,600	13,600	3.60	2.48	8.50	C37-25B	EL296UH070XE36B	10086246
XP14-024-230	24,600	16.00	13.00	21,600	13,500	3.68	2.50	8.50	C37-25B	EL296UH070XV36B	10086194
XP14-024-230	24,800	16.00	13.00	21,600	13,500	3.72	2.52	8.50	C37-25B	SL280UH090V36B	10086179
XP14-024-230	24,400	15.10	13.00	21,600	13,600	3.60	2.48	8.20	C37-25B	SL280UH090V48B	10086063
XP14-024-230	24,400	15.10	13.00	21,600	13,600	3.60	2.48	8.20	C37-25B	SL280UH090XV48B	10086324
XP14-024-230	24,600	16.00	13.00	21,600	13,500	3.68	2.50	8.50	C37-25B	SLP98UH070XV36B	10086075
XP14-024-230	24,400	15.70	13.20	21,400	13,500	3.60	2.48	8.50	C37-31A	EL180UH045E36A	10086285
XP14-024-230	24,800	16.00	13.00	21,600	13,500	3.74	2.54	8.50	C37-31A	SL280UH070V36A	10086151
XP14-024-230	24,800	16.00	13.00	21,600	13,500	3.74	2.54	8.50	C37-31A	SL280UH070XV36A	10086314
XP14-024-230	24,800	16.00	13.50	21,600	13,500	3.70	2.52	8.50	C37-31B	EL180UH070E36B	10086283
XP14-024-230	24,200	15.50	13.00	21,400	13,500	3.54	2.44	8.20	C37-31B	EL195UH045XE36B	10086082
XP14-024-230	24,600	15.70	13.20	21,600	13,600	3.62	2.48	8.50	C37-31B	EL195UH070XE36B	10086081
XP14-024-230	24,200	15.50	13.00	21,400	13,500	3.54	2.44	8.20	C37-31B	EL296UH045XE36B	10086715
XP14-024-230	24,600	16.00	13.00	21,600	13,500	3.68	2.50	8.50	C37-31B	EL296UH045XV36B	10086189
XP14-024-230	24,600	15.70	13.20	21,600	13,600	3.62	2.48	8.50	C37-31B	EL296UH070XE36B	10086237
XP14-024-230	24,600	16.00	13.00	21,600	13,500	3.70	2.52	8.50	C37-31B	EL296UH070XV36B	10086198
XP14-024-230	24,800	15.10	13.50	21,600	13,500	3.74	2.54	8.50	C37-31B	SL280UH090V36B	10086171
XP14-024-230	24,600	15.10	13.00	21,600	13,600	3.62	2.48	8.20	C37-31B	SL280UH090V48B	10086062
XP14-024-230	24,600	15.10	13.00	21,600	13,600	3.62	2.48	8.20	C37-31B	SL280UH090XV48B	10086325
XP14-024-230	24,600	16.00	13.00	21,600	13,500	3.70	2.52	8.50	C37-31B	SLP98UH070XV36B	10086070
XP14-024-230	24,000	15.70	13.00	21,400	13,500	3.58	2.48	8.50	C37-36A	EL180UH045E36A	10086290
XP14-024-230	24,600	16.00	13.00	21,600	13,500	3.72	2.54	8.50	C37-36A	SL280UH070V36A	10086158

### NOTES:

Ratings are AHRI certified to AHRI Standard 210/240 (with 25 ft. of connecting refrigerant lines);

- Cooling Ratings - 95°F outdoor air temperature and 80°F db/67°F wb entering indoor coil air.
- High Temperature Heating Ratings - 47°F db/43°F wb outdoor air temperature and 70°F db entering indoor coil air.
- Low Temperature Heating Ratings - 17°F db/15°F wb outdoor air temperature and 70°F db entering indoor coil air.

All ratings include the use of a blower time delay relay (TDR). All Lennox variable-speed Furnaces and Air Handlers have time delay capabilities. Other Furnaces and Air Handlers may require an optional time delay relay (**58M81**) for field installation. See furnace or air handler specifications to determine if relay is needed.

Also see TXV Substitution Table at the beginning of the Heat Pump AHRI System Matches section.

When used with gas furnaces, a dual-fuel control, a control system with dual-fuel capabilities (LZP-2 or LZP-4), or a thermostat with dual-fuel capabilities must be used (ordered extra).

To convert HSPF from Region IV to Region V - Divide by 1.15.

## AHRI SYSTEM MATCHES

Model No.	Cooling Capacity	SEER	EER	Heat Capacity		Heat COP		HSPF (IV)	Coil or Air Handler	Furnace	AHRI Reference
				High	Low	High	Low				
XP14-024-230	24,600	16.00	13.00	21,600	13,500	3.72	2.54	8.50	C37-36A	SL280UH070XV36A	10086315
XP14-024-230	24,400	16.00	13.00	21,600	13,500	3.70	2.52	8.50	C37-36B	EL180UH070E36B	10086297
XP14-024-230	23,800	15.50	12.70	21,400	13,500	3.54	2.44	8.20	C37-36B	EL195UH045XE36B	10086086
XP14-024-230	24,200	15.50	13.00	21,600	13,600	3.62	2.48	8.50	C37-36B	EL195UH070XE36B	10086085
XP14-024-230	23,800	15.50	12.70	21,400	13,500	3.54	2.44	8.20	C37-36B	EL296UH045XE36B	10086232
XP14-024-230	24,400	15.70	13.20	21,600	13,600	3.68	2.52	8.50	C37-36B	EL296UH045XV36B	10086205
XP14-024-230	24,200	15.50	13.00	21,600	13,600	3.62	2.48	8.50	C37-36B	EL296UH070XE36B	10086241
XP14-024-230	24,400	16.00	13.00	21,600	13,500	3.70	2.50	8.50	C37-36B	EL296UH070XV36B	10086182
XP14-024-230	24,600	16.00	13.00	21,600	13,500	3.74	2.54	8.50	C37-36B	SL280UH090V36B	10086163
XP14-024-230	24,400	15.10	13.00	21,600	13,600	3.62	2.48	8.50	C37-36B	SL280UH090V48B	10086061
XP14-024-230	24,400	15.10	13.00	21,600	13,600	3.62	2.48	8.50	C37-36B	SL280UH090XV48B	10086326
XP14-024-230	24,400	16.00	13.00	21,600	13,500	3.70	2.50	8.50	C37-36B	SLP98UH070XV36B	10086066
XP14-024-230	24,400	16.00	13.00	21,400	13,500	3.68	2.52	8.50	C37-36C	EL296UH090XV36C	10086195
XP14-024-230	24,400	16.00	13.00	21,400	13,500	3.68	2.52	8.50	C37-36C	SLP98UH090XV36C	10086071
XP14-024-230	25,200	16.00	13.50	21,800	13,600	3.90	2.64	8.50	CBA27UHE-024		10260309
XP14-024-230	24,600	15.50	13.00	21,600	13,600	3.88	2.62	9.00	CBA27UHE-030		10260310
XP14-024-230	23,200	14.00	11.70	22,200	14,000	3.46	2.36	8.20	CBX25UH-024		5727003
XP14-024-230	23,200	14.00	11.70	22,200	14,100	3.48	2.38	8.20	CBX25UH-030		5796112
XP14-024-230	23,600	15.50	12.50	21,400	13,400	3.64	2.48	8.50	CBX25UHV-024		6970216
XP14-024-230	25,200	16.00	13.50	21,800	13,700	3.88	2.64	9.00	CBX27UH-024		5431298
XP14-024-230	25,000	16.00	13.50	21,800	13,600	3.96	2.66	9.00	CBX27UH-030		6482931
XP14-024-230	24,800	14.20	11.70	22,800	14,100	3.54	2.42	8.20	CBX32M-018/024		5431299
XP14-024-230	25,000	15.20	12.70	22,400	14,000	3.76	2.52	8.70	CBX32M-030		5431300
XP14-024-230	25,000	14.50	12.20	22,600	14,000	3.58	2.44	8.20	CBX32MV-018/024		5431301
XP14-024-230	24,800	15.20	12.70	22,200	14,000	3.72	2.52	8.70	CBX32MV-024/030		5431302
XP14-024-230	25,200	15.50	13.00	22,400	14,000	3.92	2.60	9.00	CBX32MV-036		5431303
XP14-024-230	24,800	15.20	12.70	22,200	14,000	3.82	2.58	8.70	CBX40UHV-024		5431304
XP14-024-230	24,800	15.50	13.00	22,200	13,900	3.82	2.58	8.70	CBX40UHV-030		5431305
XP14-024-230	25,200	15.50	13.00	22,400	14,000	3.92	2.60	9.00	CBX40UHV-036		6482929
XP14-024-230	24,200	15.70	13.20	21,400	13,500	3.60	2.48	8.50	CH23-41	EL180UH045E36A	5741756
XP14-024-230	24,600	15.70	13.20	21,600	13,500	3.70	2.50	8.50	CH23-41	EL296UH045XV36B	5562662
XP14-024-230	24,600	16.00	13.00	21,600	13,500	3.70	2.50	8.50	CH23-41	EL296UH070XV36B	5562672
XP14-024-230	24,800	16.00	13.00	21,600	13,500	3.74	2.54	8.50	CH23-41	SL280UH090V36B	5532454
XP14-024-230	24,400	15.10	13.00	21,600	13,600	3.62	2.48	8.20	CH23-41	SL280UH090V48B	5431310
XP14-024-230	24,400	15.10	13.00	21,600	13,600	3.62	2.48	8.20	CH23-41	SL280UH090XV48B	8133193
XP14-024-230	24,600	16.00	13.00	21,600	13,500	3.70	2.50	8.50	CH23-41	SLP98UH070XV36B	5431389
XP14-024-230	24,400	15.70	13.20	21,600	13,500	3.64	2.48	8.50	CH33-25A	EL180UH045E36A	5741760
XP14-024-230	24,800	15.70	13.00	21,800	13,700	3.72	2.52	8.50	CH33-25A	SL280UH070V36A	5532370
XP14-024-230	24,800	15.70	13.00	21,800	13,700	3.72	2.52	8.50	CH33-25A	SL280UH070XV36A	8133176
XP14-024-230	24,600	16.00	13.00	21,600	13,600	3.74	2.54	8.50	CH33-25B	EL180UH070E36B	5742031
XP14-024-230	24,000	15.50	13.00	21,600	13,500	3.60	2.46	8.50	CH33-25B	EL195UH045XE36B	5431365
XP14-024-230	24,400	15.50	13.00	21,800	13,600	3.68	2.50	8.50	CH33-25B	EL195UH070XE36B	5431376
XP14-024-230	24,000	15.50	13.00	21,600	13,500	3.60	2.46	8.50	CH33-25B	EL296UH045XE36B	5650634
XP14-024-230	24,600	15.70	13.20	21,600	13,600	3.72	2.54	8.70	CH33-25B	EL296UH045XV36B	5562665
XP14-024-230	24,400	15.50	13.00	21,800	13,600	3.68	2.50	8.50	CH33-25B	EL296UH070XE36B	5650627
XP14-024-230	24,600	16.00	13.00	21,600	13,600	3.74	2.54	8.50	CH33-25B	EL296UH070XV36B	5562674
XP14-024-230	24,600	15.10	13.00	21,600	13,500	3.78	2.56	8.50	CH33-25B	SL280UH090V36B	5532457

### NOTES:

Ratings are AHRI certified to AHRI Standard 210/240 (with 25 ft. of connecting refrigerant lines);

- Cooling Ratings - 95°F outdoor air temperature and 80°F db/67°F wb entering indoor coil air.

- High Temperature Heating Ratings - 47°F db/43°F wb outdoor air temperature and 70°F db entering indoor coil air.

- Low Temperature Heating Ratings - 17°F db/15°F wb outdoor air temperature and 70°F db entering indoor coil air.

All ratings include the use of a blower time delay relay (TDR). All Lennox variable-speed Furnaces and Air Handlers have time delay capabilities. Other Furnaces and Air Handlers may require an optional time delay relay (**58M81**) for field installation. See furnace or air handler specifications to determine if relay is needed.

Also see TXV Substitution Table at the beginning of the Heat Pump AHRI System Matches section.

When used with gas furnaces, a dual-fuel control, a control system with dual-fuel capabilities (LZP-2 or LZP-4), or a thermostat with dual-fuel capabilities must be used (ordered extra).

To convert HSPF from Region IV to Region V - Divide by 1.15.

## AHRI SYSTEM MATCHES

Model No.	Cooling Capacity	SEER	EER	Heat Capacity		Heat High	COP Low	HSPF (IV)	Coil or Air Handler	Furnace	AHRI Reference
				High	Low						
XP14-024-230	24,400	15.10	13.00	21,600	13,600	3.66	2.50	8.50	CH33-25B	SL280UH090V48B	5431317
XP14-024-230	24,400	15.10	13.00	21,600	13,600	3.66	2.50	8.50	CH33-25B	SL280UH090XV48B	8133194
XP14-024-230	24,600	16.00	13.00	21,600	13,600	3.74	2.54	8.50	CH33-25B	SLP98UH070XV36B	5431390
XP14-024-230	24,400	15.70	13.20	21,600	13,600	3.66	2.52	8.50	CH33-31A	EL180UH045E36A	5741757
XP14-024-230	25,200	16.00	13.00	22,000	13,700	3.86	2.58	8.50	CH33-31A	SL280UH070V36A	5532371
XP14-024-230	25,200	16.00	13.00	22,000	13,700	3.86	2.58	8.50	CH33-31A	SL280UH070XV36A	8133177
XP14-024-230	24,400	14.20	12.00	22,400	14,200	3.54	2.40	8.20	CH33-31A		5431261
XP14-024-230	23,800	15.20	12.70	21,400	13,500	3.50	2.42	8.20	CH33-36A	EL180UH045E36A	5741755
XP14-024-230	24,600	15.10	13.00	21,800	13,600	3.68	2.48	8.50	CH33-36A	SL280UH070V36A	5532367
XP14-024-230	24,600	15.10	13.00	21,800	13,600	3.68	2.48	8.50	CH33-36A	SL280UH070XV36A	8133174
XP14-024-230	24,600	16.00	13.50	21,800	13,500	3.84	2.58	8.50	CH33-36C	EL296UH090XV36C	5562680
XP14-024-230	24,600	16.00	13.50	21,800	13,500	3.84	2.58	8.50	CH33-36C	SLP98UH090XV36C	5431391
XP14-024-230	24,000	14.00	11.70	22,400	14,200	3.50	2.38	8.20	CH33-36C		5431263
XP14-024-230	24,800	15.70	13.20	22,000	13,600	3.76	2.54	8.70	CR33-30/36	EL180DF045E36A	5741528
XP14-024-230	25,400	16.00	13.50	22,200	13,600	3.92	2.60	9.00	CR33-30/36	EL180DF070E36B	5741558
XP14-024-230	25,200	16.00	13.00	22,200	13,600	3.84	2.56	8.50	CR33-30/36	EL195DF045XE36B	5431378
XP14-024-230	25,400	16.00	13.50	22,200	13,600	3.90	2.60	9.00	CR33-30/36	EL195DF070XE48B	5431379
XP14-024-230	25,200	16.00	13.00	22,200	13,600	3.84	2.56	8.50	CR33-30/36	EL296DF045XE36B	5650618
XP14-024-230	25,200	16.00	13.50	22,200	13,600	3.86	2.58	8.50	CR33-30/36	EL296DF045XV36B	5562658
XP14-024-230	25,400	16.00	13.50	22,200	13,600	3.90	2.60	9.00	CR33-30/36	EL296DF070XE48B	5650624
XP14-024-230	25,600	15.70	13.20	22,400	13,800	3.88	2.58	8.70	CR33-30/36	EL296DF070XV48B	5562659
XP14-024-230	25,200	15.70	13.00	22,200	13,700	3.82	2.56	8.50	CR33-30/36	SL280DF070V36A	5431324
XP14-024-230	25,600	15.10	13.50	22,200	13,700	3.94	2.62	9.00	CR33-30/36	SL280DF090V48B	5532330
XP14-024-230	25,400	16.00	13.50	22,200	13,600	3.92	2.60	9.00	CR33-30/36	SLP98DF070XV36B	5431392
XP14-024-230	25,400	16.00	13.50	22,200	13,600	3.94	2.62	9.00	CR33-30/36	SLP98DF090XV36C	5431393
XP14-024-230	24,800	14.20	12.20	22,600	14,200	3.54	2.40	8.20	CR33-30/36		5431264
XP14-024-230	24,000	15.50	13.00	21,400	13,500	3.50	2.44	8.20	CX34-25	EL180UH045E36A	5741753
XP14-024-230	24,800	16.00	13.50	21,600	13,500	3.68	2.52	8.50	CX34-25	EL180UH070E36B	5742032
XP14-024-230	24,200	15.50	13.00	21,400	13,500	3.52	2.44	8.20	CX34-25	EL195UH045XE36B	5431368
XP14-024-230	24,600	15.70	13.20	21,600	13,600	3.60	2.48	8.50	CX34-25	EL195UH070XE36B	5431360
XP14-024-230	24,200	15.50	13.00	21,400	13,500	3.52	2.44	8.20	CX34-25	EL296UH045XE36B	5650626
XP14-024-230	24,600	16.00	13.00	21,600	13,500	3.66	2.50	8.50	CX34-25	EL296UH045XV36B	5562661
XP14-024-230	24,600	15.70	13.20	21,600	13,600	3.60	2.48	8.50	CX34-25	EL296UH070XE36B	5650625
XP14-024-230	24,600	16.00	13.00	21,600	13,500	3.68	2.50	8.50	CX34-25	EL296UH070XV36B	5562676
XP14-024-230	24,800	15.70	13.00	21,800	13,600	3.68	2.48	8.20	CX34-25	SL280UH070V36A	5532365
XP14-024-230	24,800	15.70	13.00	21,800	13,600	3.68	2.48	8.20	CX34-25	SL280UH070XV36A	8133172
XP14-024-230	24,800	16.00	13.00	21,600	13,500	3.72	2.52	8.50	CX34-25	SL280UH090V36B	5532462
XP14-024-230	24,400	15.10	13.00	21,600	13,600	3.60	2.48	8.20	CX34-25	SL280UH090V48B	5431335
XP14-024-230	24,400	15.10	13.00	21,600	13,600	3.60	2.48	8.20	CX34-25	SL280UH090XV48B	8133195
XP14-024-230	24,600	16.00	13.00	21,600	13,500	3.68	2.50	8.50	CX34-25	SLP98UH070XV36B	5431394
XP14-024-230	24,400	15.70	13.20	21,400	13,500	3.60	2.48	8.50	CX34-31	EL180UH045E36A	5741761
XP14-024-230	24,800	16.00	13.50	21,600	13,500	3.70	2.52	8.50	CX34-31	EL180UH070E36B	5742038
XP14-024-230	24,200	15.50	13.00	21,400	13,500	3.54	2.44	8.20	CX34-31	EL195UH045XE36B	5431369
XP14-024-230	24,600	15.70	13.20	21,600	13,600	3.62	2.48	8.50	CX34-31	EL195UH070XE36B	5431361
XP14-024-230	24,200	15.50	13.00	21,400	13,500	3.54	2.44	8.20	CX34-31	EL296UH045XE36B	5650620
XP14-024-230	24,600	16.00	13.00	21,600	13,500	3.68	2.50	8.50	CX34-31	EL296UH045XV36B	5562667
XP14-024-230	24,600	15.70	13.20	21,600	13,600	3.62	2.48	8.50	CX34-31	EL296UH070XE36B	5650619

**NOTES:**

Ratings are AHRI certified to AHRI Standard 210/240 (with 25 ft. of connecting refrigerant lines);

- Cooling Ratings - 95°F outdoor air temperature and 80°F db/67°F wb entering indoor coil air.
- High Temperature Heating Ratings - 47°F db/43°F wb outdoor air temperature and 70°F db entering indoor coil air.
- Low Temperature Heating Ratings - 17°F db/15°F wb outdoor air temperature and 70°F db entering indoor coil air.

All ratings include the use of a blower time delay relay (TDR). All Lennox variable-speed Furnaces and Air Handlers have time delay capabilities. Other Furnaces and Air Handlers may require an optional time delay relay (**58M81**) for field installation. See furnace or air handler specifications to determine if relay is needed.

Also see TXV Substitution Table at the beginning of the Heat Pump AHRI System Matches section.

When used with gas furnaces, a dual-fuel control, a control system with dual-fuel capabilities (LZP-2 or LZP-4), or a thermostat with dual-fuel capabilities must be used (ordered extra).

To convert HSPF from Region IV to Region V - Divide by 1.15.

## AHRI SYSTEM MATCHES

Model No.	Cooling Capacity	SEER	EER	Heat Capacity		Heat COP		HSPF (IV)	Coil or Air Handler	Furnace	AHRI Reference
				High	Low	High	Low				
XP14-024-230	24,600	16.00	13.00	21,600	13,500	3.70	2.52	8.50	CX34-31	EL296UH070XV36B	5562679
XP14-024-230	24,800	15.10	13.00	21,600	13,500	3.74	2.54	8.50	CX34-31	SL280UH070V36A	5532372
XP14-024-230	24,800	15.10	13.00	21,600	13,500	3.74	2.54	8.50	CX34-31	SL280UH070XV36A	8133178
XP14-024-230	24,800	16.00	13.50	21,600	13,500	3.74	2.54	8.50	CX34-31	SL280UH090V36B	5532461
XP14-024-230	24,600	15.10	13.00	21,600	13,600	3.62	2.48	8.20	CX34-31	SL280UH090V48B	5431342
XP14-024-230	24,600	15.10	13.00	21,600	13,600	3.62	2.48	8.20	CX34-31	SL280UH090XV48B	8133196
XP14-024-230	24,600	16.00	13.00	21,600	13,500	3.70	2.52	8.50	CX34-31	SLP98UH070XV36B	5431395
XP14-024-230	24,000	15.70	13.00	21,400	13,500	3.58	2.48	8.50	CX34-36	EL180UH045E36A	5741762
XP14-024-230	24,400	16.00	13.00	21,600	13,500	3.70	2.52	8.50	CX34-36	EL180UH070E36B	5742036
XP14-024-230	23,800	15.50	12.70	21,400	13,500	3.54	2.44	8.20	CX34-36	EL195UH045XE36B	5431370
XP14-024-230	24,200	15.50	13.00	21,600	13,600	3.62	2.48	8.50	CX34-36	EL195UH070XE36B	5431362
XP14-024-230	23,800	15.50	12.70	21,400	13,500	3.54	2.44	8.20	CX34-36	EL296UH045XE36B	5650617
XP14-024-230	24,400	15.70	13.20	21,600	13,600	3.68	2.52	8.50	CX34-36	EL296UH045XV36B	5562668
XP14-024-230	24,200	15.50	13.00	21,600	13,600	3.62	2.48	8.50	CX34-36	EL296UH070XE36B	5650616
XP14-024-230	24,400	16.00	13.00	21,600	13,500	3.70	2.50	8.50	CX34-36	EL296UH070XV36B	5562677
XP14-024-230	24,400	16.00	13.00	21,400	13,500	3.68	2.52	8.50	CX34-36	EL296UH090XV36C	5562682
XP14-024-230	24,600	16.00	13.00	21,600	13,500	3.72	2.54	8.50	CX34-36	SL280UH070V36A	5532373
XP14-024-230	24,600	16.00	13.00	21,600	13,500	3.72	2.54	8.50	CX34-36	SL280UH070XV36A	8133179
XP14-024-230	24,600	16.00	13.00	21,600	13,500	3.74	2.54	8.50	CX34-36	SL280UH090V36B	5532459
XP14-024-230	24,400	15.10	12.50	21,600	13,600	3.62	2.48	8.20	CX34-36	SL280UH090V48B	5431349
XP14-024-230	24,400	15.10	12.50	21,600	13,600	3.62	2.48	8.20	CX34-36	SL280UH090XV48B	8133197
XP14-024-230	24,400	16.00	13.00	21,600	13,500	3.70	2.50	8.50	CX34-36	SLP98UH070XV36B	5431396
XP14-024-230	24,400	16.00	13.00	21,400	13,500	3.68	2.52	8.50	CX34-36	SLP98UH090XV36C	5431397
XP14-024-230	24,000	15.50	13.00	21,400	13,500	3.50	2.44	8.20	CX38-25A	EL180UH045E36A	10086299
XP14-024-230	24,800	15.70	13.00	21,800	13,600	3.68	2.48	8.20	CX38-25A	SL280UH070V36A	10086153
XP14-024-230	24,800	15.70	13.00	21,800	13,600	3.68	2.48	8.20	CX38-25A	SL280UH070XV36A	10086313
XP14-024-230	24,800	16.00	13.50	21,600	13,500	3.68	2.52	8.50	CX38-25B	EL180UH070E36B	10086292
XP14-024-230	24,200	15.50	13.00	21,400	13,500	3.52	2.44	8.20	CX38-25B	EL195UH045XE36B	10086074
XP14-024-230	24,600	15.70	13.20	21,600	13,600	3.60	2.48	8.50	CX38-25B	EL195UH070XE36B	10086073
XP14-024-230	24,200	15.50	13.00	21,400	13,500	3.52	2.44	8.20	CX38-25B	EL296UH045XE36B	10086231
XP14-024-230	24,600	16.00	13.00	21,600	13,500	3.66	2.50	8.50	CX38-25B	EL296UH045XV36B	10086184
XP14-024-230	24,600	15.70	13.20	21,600	13,600	3.60	2.48	8.50	CX38-25B	EL296UH070XE36B	10086228
XP14-024-230	24,600	16.00	13.00	21,600	13,500	3.68	2.50	8.50	CX38-25B	EL296UH070XV36B	10086191
XP14-024-230	24,800	16.00	13.00	21,600	13,500	3.72	2.52	8.50	CX38-25B	SL280UH090V36B	10086166
XP14-024-230	24,400	15.10	13.00	21,600	13,600	3.60	2.48	8.20	CX38-25B	SL280UH090V48B	10086079
XP14-024-230	24,400	15.10	13.00	21,600	13,600	3.60	2.48	8.20	CX38-25B	SL280UH090XV48B	10086327
XP14-024-230	24,600	16.00	13.00	21,600	13,500	3.68	2.50	8.50	CX38-25B	SLP98UH070XV36B	10086067
XP14-024-230	24,400	15.70	13.20	21,400	13,500	3.60	2.48	8.50	CX38-31A	EL180UH045E36A	10086300
XP14-024-230	24,800	15.10	13.00	21,600	13,500	3.74	2.54	8.50	CX38-31A	SL280UH070V36A	10086156
XP14-024-230	24,800	15.10	13.00	21,600	13,500	3.74	2.54	8.50	CX38-31A	SL280UH070XV36A	10086316
XP14-024-230	24,800	16.00	13.50	21,600	13,500	3.70	2.52	8.50	CX38-31B	EL180UH070E36B	10086269
XP14-024-230	24,200	15.50	13.00	21,400	13,500	3.54	2.44	8.20	CX38-31B	EL195UH045XE36B	10086069
XP14-024-230	24,600	15.70	13.20	21,600	13,600	3.62	2.48	8.50	CX38-31B	EL195UH070XE36B	10086068
XP14-024-230	24,200	15.50	13.00	21,400	13,500	3.54	2.44	8.20	CX38-31B	EL296UH045XE36B	10086236
XP14-024-230	24,600	16.00	13.00	21,600	13,500	3.68	2.50	8.50	CX38-31B	EL296UH045XV36B	10086197
XP14-024-230	24,600	15.70	13.20	21,600	13,600	3.62	2.48	8.50	CX38-31B	EL296UH070XE36B	10086230
XP14-024-230	24,600	16.00	13.00	21,600	13,500	3.70	2.52	8.50	CX38-31B	EL296UH070XV36B	10086207

### NOTES:

Ratings are AHRI certified to AHRI Standard 210/240 (with 25 ft. of connecting refrigerant lines);

- Cooling Ratings - 95°F outdoor air temperature and 80°F db/67°F wb entering indoor coil air.

- High Temperature Heating Ratings - 47°F db/43°F wb outdoor air temperature and 70°F db entering indoor coil air.

- Low Temperature Heating Ratings - 17°F db/15°F wb outdoor air temperature and 70°F db entering indoor coil air.

All ratings include the use of a blower time delay relay (TDR). All Lennox variable-speed Furnaces and Air Handlers have time delay capabilities. Other Furnaces and Air Handlers may require an optional time delay relay (**58M81**) for field installation. See furnace or air handler specifications to determine if relay is needed.

Also see TXV Substitution Table at the beginning of the Heat Pump AHRI System Matches section.

When used with gas furnaces, a dual-fuel control, a control system with dual-fuel capabilities (LZP-2 or LZP-4), or a thermostat with dual-fuel capabilities must be used (ordered extra).

To convert HSPF from Region IV to Region V - Divide by 1.15.

## AHRI SYSTEM MATCHES

Model No.	Cooling Capacity	SEER	EER	Heat Capacity		Heat High	COP Low	HSPF (IV)	Coil or Air Handler	Furnace	AHRI Reference
				High	Low						
XP14-024-230	24,800	16.00	13.50	21,600	13,500	3.74	2.54	8.50	CX38-31B	SL280UH090V36B	10086172
XP14-024-230	24,600	15.10	13.00	21,600	13,600	3.62	2.48	8.20	CX38-31B	SL280UH090V48B	10086084
XP14-024-230	24,600	15.10	13.00	21,600	13,600	3.62	2.48	8.20	CX38-31B	SL280UH090XV48B	10086328
XP14-024-230	24,600	16.00	13.00	21,600	13,500	3.70	2.52	8.50	CX38-31B	SLP98UH070XV36B	10086072
XP14-024-230	24,000	15.70	13.00	21,400	13,500	3.58	2.48	8.50	CX38-36A	EL180UH045E36A	10086286
XP14-024-230	24,600	16.00	13.00	21,600	13,500	3.72	2.54	8.50	CX38-36A	SL280UH070V36A	10086154
XP14-024-230	24,600	16.00	13.00	21,600	13,500	3.72	2.54	8.50	CX38-36A	SL280UH070XV36A	10086317
XP14-024-230	24,400	16.00	13.00	21,600	13,500	3.70	2.52	8.50	CX38-36B	EL180UH070E36B	10086274
XP14-024-230	23,800	15.50	12.70	21,400	13,500	3.54	2.44	8.20	CX38-36B	EL195UH045XE36B	10086065
XP14-024-230	24,200	15.50	13.00	21,600	13,600	3.62	2.48	8.50	CX38-36B	EL195UH070XE36B	10086064
XP14-024-230	23,800	15.50	12.70	21,400	13,500	3.54	2.44	8.20	CX38-36B	EL296UH045XE36B	10086227
XP14-024-230	24,400	15.70	13.20	21,600	13,600	3.68	2.52	8.50	CX38-36B	EL296UH045XV36B	10086190
XP14-024-230	24,200	15.50	13.00	21,600	13,600	3.62	2.48	8.50	CX38-36B	EL296UH070XE36B	10086263
XP14-024-230	24,400	16.00	13.00	21,600	13,500	3.70	2.50	8.50	CX38-36B	EL296UH070XV36B	10086185
XP14-024-230	24,600	16.00	13.00	21,600	13,500	3.74	2.54	8.50	CX38-36B	SL280UH090V36B	10086174
XP14-024-230	24,400	15.10	12.50	21,600	13,600	3.62	2.48	8.20	CX38-36B	SL280UH090V48B	10086080
XP14-024-230	24,400	15.10	12.50	21,600	13,600	3.62	2.48	8.20	CX38-36B	SL280UH090XV48B	10086329
XP14-024-230	24,400	16.00	13.00	21,600	13,500	3.70	2.50	8.50	CX38-36B	SLP98UH070XV36B	10086078
XP14-024-230	24,400	16.00	13.00	21,400	13,500	3.68	2.52	8.50	CX38-36C	EL296UH090XV36C	10086202
XP14-024-230	24,400	16.00	13.00	21,400	13,500	3.68	2.52	8.50	CX38-36C	SLP98UH090XV36C	10086083
XP14-030-230	30,000	15.20	13.20	25,800	16,600	3.62	2.50	8.50	C33-31	EL180UH045E36A	5741769
XP14-030-230	30,000	15.70	13.50	25,600	16,400	3.64	2.52	8.50	C33-31	EL180UH070E36B	5742043
XP14-030-230	30,200	15.70	13.50	25,600	16,500	3.66	2.56	8.70	C33-31	EL180UH090E48B	5742360
XP14-030-230	30,000	15.20	13.20	25,800	16,700	3.60	2.50	8.50	C33-31	EL195UH045XE36B	5431577
XP14-030-230	30,200	15.20	13.20	25,800	16,700	3.60	2.50	8.50	C33-31	EL195UH070XE36B	5431607
XP14-030-230	30,000	15.20	13.20	25,800	16,700	3.60	2.50	8.50	C33-31	EL296UH045XE36B	5650647
XP14-030-230	29,800	15.20	13.00	25,600	16,600	3.56	2.50	8.50	C33-31	EL296UH045XV36B	5562690
XP14-030-230	30,200	15.20	13.20	25,800	16,700	3.60	2.50	8.50	C33-31	EL296UH070XE36B	5650662
XP14-030-230	29,800	15.50	13.20	25,600	16,500	3.60	2.52	8.50	C33-31	EL296UH070XV36B	5562706
XP14-030-230	30,000	15.50	13.20	25,600	16,500	3.62	2.52	8.50	C33-31	SL280UH070V36A	5532379
XP14-030-230	30,000	15.50	13.20	25,600	16,500	3.62	2.52	8.50	C33-31	SL280UH070XV36A	8133184
XP14-030-230	30,000	15.70	13.50	25,400	16,400	3.62	2.54	8.50	C33-31	SL280UH090V36B	5532473
XP14-030-230	30,200	15.50	13.50	25,800	16,500	3.68	2.54	8.50	C33-31	SL280UH090V48B	5431559
XP14-030-230	30,200	15.50	13.50	25,800	16,500	3.68	2.54	8.50	C33-31	SL280UH090XV48B	8133213
XP14-030-230	30,000	15.20	13.20	25,600	16,600	3.62	2.52	8.50	C33-31	SLP98UH070XV36B	5431643
XP14-030-230	29,200	15.20	13.20	25,400	16,400	3.62	2.52	8.50	C33-36	EL180UH070E36B	5742054
XP14-030-230	29,200	15.20	13.20	25,400	16,400	3.64	2.52	8.50	C33-36	EL180UH090E48B	5742365
XP14-030-230	29,200	14.70	12.70	25,600	16,600	3.58	2.48	8.50	C33-36	EL195UH045XE36B	5431578
XP14-030-230	29,400	15.00	12.70	25,800	16,700	3.60	2.50	8.50	C33-36	EL195UH070XE36B	5431608
XP14-030-230	29,600	15.20	13.00	25,800	16,600	3.68	2.52	8.70	C33-36	EL195UH090XE48C	5431584
XP14-030-230	29,200	14.70	12.70	25,600	16,600	3.58	2.48	8.50	C33-36	EL296UH045XE36B	5650664
XP14-030-230	29,000	14.70	12.70	25,600	16,600	3.56	2.48	8.20	C33-36	EL296UH045XV36B	5562694
XP14-030-230	29,400	15.00	12.70	25,800	16,700	3.60	2.50	8.50	C33-36	EL296UH070XE36B	5650656
XP14-030-230	29,000	15.20	13.00	25,400	16,400	3.58	2.50	8.50	C33-36	EL296UH070XV36B	5562712
XP14-030-230	29,600	15.20	13.00	25,800	16,600	3.68	2.52	8.70	C33-36	EL296UH090XE48C	5650653
XP14-030-230	29,200	15.20	13.20	25,400	16,400	3.62	2.52	8.50	C33-36	EL296UH090XV36C	5767217
XP14-030-230	29,200	15.20	13.00	25,400	16,500	3.60	2.52	8.50	C33-36	SL280UH070V36A	5532380

### NOTES:

Ratings are AHRI certified to AHRI Standard 210/240 (with 25 ft. of connecting refrigerant lines);

- Cooling Ratings - 95°F outdoor air temperature and 80°F db/67°F wb entering indoor coil air.
- High Temperature Heating Ratings - 47°F db/43°F wb outdoor air temperature and 70°F db entering indoor coil air.
- Low Temperature Heating Ratings - 17°F db/15°F wb outdoor air temperature and 70°F db entering indoor coil air.

All ratings include the use of a blower time delay relay (TDR). All Lennox variable-speed Furnaces and Air Handlers have time delay capabilities. Other Furnaces and Air Handlers may require an optional time delay relay (**58M81**) for field installation. See furnace or air handler specifications to determine if relay is needed.

Also see TXV Substitution Table at the beginning of the Heat Pump AHRI System Matches section.

When used with gas furnaces, a dual-fuel control, a control system with dual-fuel capabilities (LZP-2 or LZP-4), or a thermostat with dual-fuel capabilities must be used (ordered extra).

To convert HSPF from Region IV to Region V - Divide by 1.15.

## AHRI SYSTEM MATCHES

Model No.	Cooling Capacity	SEER	EER	Heat Capacity		Heat COP		HSPF (IV)	Coil or Air Handler	Furnace	AHRI Reference
				High	Low	High	Low				
XP14-030-230	29,200	15.20	13.00	25,400	16,500	3.60	2.52	8.50	C33-36	SL280UH070XV36A	8133185
XP14-030-230	29,200	15.20	13.20	25,400	16,300	3.62	2.52	8.50	C33-36	SL280UH090V36B	5532478
XP14-030-230	29,400	15.20	13.00	25,600	16,500	3.64	2.52	8.50	C33-36	SL280UH090V48B	5431482
XP14-030-230	29,400	15.20	13.00	25,600	16,500	3.64	2.52	8.50	C33-36	SL280UH090XV48B	8133204
XP14-030-230	29,200	15.00	13.00	25,600	16,500	3.60	2.50	8.50	C33-36	SLP98UH070XV36B	5431624
XP14-030-230	29,200	15.20	13.20	25,400	16,400	3.62	2.52	8.50	C33-36	SLP98UH090XV36C	5431625
XP14-030-230	29,600	15.20	13.20	25,600	16,600	3.66	2.54	8.70	C33-36	SLP98UH090XV48C	5431626
XP14-030-230	30,800	15.50	13.50	25,800	16,600	3.66	2.54	8.50	C33-38	EL180UH045E36A	5741770
XP14-030-230	30,800	15.70	13.70	25,600	16,400	3.70	2.54	8.70	C33-38	EL180UH070E36B	5742048
XP14-030-230	31,000	15.70	13.70	25,600	16,500	3.72	2.58	8.70	C33-38	EL180UH090E48B	5742373
XP14-030-230	30,800	15.20	13.20	25,800	16,700	3.64	2.54	8.50	C33-38	EL195UH045XE36B	5431592
XP14-030-230	31,000	15.50	13.20	26,000	16,800	3.70	2.54	8.70	C33-38	EL195UH070XE36B	5431564
XP14-030-230	30,800	15.20	13.20	25,800	16,700	3.64	2.54	8.50	C33-38	EL296UH045XE36B	5650654
XP14-030-230	30,800	15.20	13.20	25,800	16,600	3.64	2.52	8.50	C33-38	EL296UH045XV36B	5562686
XP14-030-230	31,000	15.50	13.20	26,000	16,800	3.70	2.54	8.70	C33-38	EL296UH070XE36B	5650674
XP14-030-230	30,600	15.70	13.50	25,600	16,500	3.66	2.54	8.50	C33-38	EL296UH070XV36B	5562703
XP14-030-230	30,800	15.70	13.50	25,600	16,500	3.68	2.54	8.70	C33-38	SL280UH070V36A	5532377
XP14-030-230	30,800	15.70	13.50	25,600	16,500	3.68	2.54	8.70	C33-38	SL280UH070XV36A	8133182
XP14-030-230	30,800	15.70	13.70	25,400	16,400	3.68	2.56	8.70	C33-38	SL280UH090V36B	5532466
XP14-030-230	31,000	15.70	13.70	25,600	16,600	3.70	2.58	8.70	C33-38	SL280UH090V48B	5431426
XP14-030-230	31,000	15.70	13.70	25,600	16,600	3.70	2.58	8.70	C33-38	SL280UH090XV48B	8133198
XP14-030-230	30,600	15.70	13.50	25,600	16,500	3.66	2.54	8.50	C33-38	SLP98UH070XV36B	5431613
XP14-030-230	30,400	14.00	12.20	26,200	17,200	3.44	2.40	8.20	C33-38		5431410
XP14-030-230	29,200	15.20	13.20	25,400	16,400	3.62	2.52	8.50	C33-42	EL180UH070E36B	5742045
XP14-030-230	29,200	15.20	13.20	25,400	16,400	3.64	2.52	8.50	C33-42	EL180UH090E48B	5742371
XP14-030-230	29,200	14.70	12.70	25,600	16,600	3.58	2.48	8.50	C33-42	EL195UH045XE36B	5431593
XP14-030-230	29,400	15.00	12.70	25,800	16,700	3.60	2.50	8.50	C33-42	EL195UH070XE36B	5431565
XP14-030-230	29,200	14.70	12.70	25,600	16,600	3.58	2.48	8.50	C33-42	EL296UH045XE36B	5650649
XP14-030-230	29,000	14.70	12.70	25,600	16,600	3.56	2.48	8.20	C33-42	EL296UH045XV36B	5562695
XP14-030-230	29,400	15.00	12.70	25,800	16,700	3.60	2.50	8.50	C33-42	EL296UH070XE36B	5650668
XP14-030-230	29,000	15.20	13.00	25,400	16,400	3.58	2.50	8.50	C33-42	EL296UH070XV36B	5562704
XP14-030-230	29,200	15.20	13.20	25,400	16,300	3.62	2.52	8.50	C33-42	SL280UH090V36B	5532467
XP14-030-230	29,400	15.20	13.00	25,600	16,500	3.64	2.52	8.50	C33-42	SL280UH090V48B	5431437
XP14-030-230	29,400	15.20	13.00	25,600	16,500	3.64	2.52	8.50	C33-42	SL280UH090XV48B	8133199
XP14-030-230	29,200	15.00	13.00	25,600	16,500	3.60	2.50	8.50	C33-42	SLP98UH070XV36B	5431615
XP14-030-230	30,400	15.70	13.70	25,600	16,400	3.66	2.54	8.70	C33-43	EL180UH070E36B	5742041
XP14-030-230	30,600	16.00	13.50	25,800	16,500	3.72	2.56	8.50	C33-43	EL180UH090E48B	5742364
XP14-030-230	30,400	15.50	13.20	25,800	16,700	3.62	2.52	8.50	C33-43	EL195UH045XE36B	5431594
XP14-030-230	30,600	15.50	13.20	26,000	16,700	3.66	2.52	8.50	C33-43	EL195UH070XE36B	5431566
XP14-030-230	30,800	15.70	13.50	26,000	16,700	3.70	2.56	8.70	C33-43	EL195UH090XE48C	5431585
XP14-030-230	30,400	15.50	13.20	25,800	16,700	3.62	2.52	8.50	C33-43	EL296UH045XE36B	5650666
XP14-030-230	30,200	15.50	13.20	25,800	16,600	3.62	2.50	8.50	C33-43	EL296UH045XV36B	5562687
XP14-030-230	30,600	15.50	13.20	26,000	16,700	3.66	2.52	8.50	C33-43	EL296UH070XE36B	5650640
XP14-030-230	30,200	15.70	13.50	25,600	16,500	3.64	2.54	8.50	C33-43	EL296UH070XV36B	5562701
XP14-030-230	30,800	15.70	13.50	26,000	16,700	3.70	2.56	8.70	C33-43	EL296UH090XE48C	5650648
XP14-030-230	30,400	16.00	13.50	25,600	16,400	3.70	2.56	8.50	C33-43	EL296UH090XV36C	5562719
XP14-030-230	30,800	16.00	13.50	25,800	16,500	3.76	2.60	8.50	C33-43	EL296UH090XV48C	5562726

### NOTES:

Ratings are AHRI certified to AHRI Standard 210/240 (with 25 ft. of connecting refrigerant lines);

- Cooling Ratings - 95°F outdoor air temperature and 80°F db/67°F wb entering indoor coil air.

- High Temperature Heating Ratings - 47°F db/43°F wb outdoor air temperature and 70°F db entering indoor coil air.

- Low Temperature Heating Ratings - 17°F db/15°F wb outdoor air temperature and 70°F db entering indoor coil air.

All ratings include the use of a blower time delay relay (TDR). All Lennox variable-speed Furnaces and Air Handlers have time delay capabilities. Other Furnaces and Air Handlers may require an optional time delay relay (**58M81**) for field installation. See furnace or air handler specifications to determine if relay is needed.

Also see TXV Substitution Table at the beginning of the Heat Pump AHRI System Matches section.

When used with gas furnaces, a dual-fuel control, a control system with dual-fuel capabilities (LZP-2 or LZP-4), or a thermostat with dual-fuel capabilities must be used (ordered extra).

To convert HSPF from Region IV to Region V - Divide by 1.15.



## AHRI SYSTEM MATCHES

Model No.	Cooling Capacity	SEER	EER	Heat Capacity		Heat High	COP Low	HSPF (IV)	Coil or Air Handler	Furnace	AHRI Reference
				High	Low						
XP14-030-230	30,400	16.00	13.50	25,600	16,400	3.68	2.56	8.50	C33-43	SL280UH090V36B	5532465
XP14-030-230	30,600	15.70	13.50	25,800	16,600	3.70	2.56	8.70	C33-43	SL280UH090V48B	5431471
XP14-030-230	30,600	15.70	13.50	25,800	16,600	3.70	2.56	8.70	C33-43	SL280UH090XV48B	8133203
XP14-030-230	30,400	15.70	13.50	25,800	16,600	3.66	2.54	8.50	C33-43	SLP98UH070XV36B	5431620
XP14-030-230	30,400	16.00	13.50	25,600	16,400	3.70	2.56	8.50	C33-43	SLP98UH090XV36C	5431621
XP14-030-230	30,800	16.00	13.50	25,800	16,500	3.76	2.60	8.50	C33-43	SLP98UH090XV48C	5431622
XP14-030-230	29,600	15.50	13.20	25,400	16,300	3.54	2.48	8.20	C33-48	EL180UH070E36B	5742039
XP14-030-230	29,800	15.50	13.20	25,400	16,400	3.58	2.50	8.50	C33-48	EL180UH090E48B	5742362
XP14-030-230	29,600	15.00	13.00	25,600	16,600	3.50	2.46	8.20	C33-48	EL195UH045XE36B	5431595
XP14-030-230	30,000	15.00	13.00	25,800	16,600	3.56	2.46	8.20	C33-48	EL195UH070XE36B	5431567
XP14-030-230	30,200	15.20	13.20	25,800	16,600	3.62	2.50	8.50	C33-48	EL195UH090XE48C	5431586
XP14-030-230	29,600	15.00	13.00	25,600	16,600	3.50	2.46	8.20	C33-48	EL296UH045XE36B	5650683
XP14-030-230	29,600	15.00	13.00	25,600	16,500	3.50	2.44	8.20	C33-48	EL296UH045XV36B	5562691
XP14-030-230	30,000	15.00	13.00	25,800	16,600	3.56	2.46	8.20	C33-48	EL296UH070XE36B	5650657
XP14-030-230	29,600	15.20	13.20	25,400	16,400	3.52	2.46	8.20	C33-48	EL296UH070XV36B	5562714
XP14-030-230	30,200	15.20	13.20	25,800	16,600	3.62	2.50	8.50	C33-48	EL296UH090XE48C	5650665
XP14-030-230	29,600	15.50	13.20	25,400	16,300	3.54	2.48	8.20	C33-48	EL296UH090XV36C	5562717
XP14-030-230	30,000	15.50	13.20	25,600	16,500	3.60	2.50	8.50	C33-48	EL296UH090XV48C	5562725
XP14-030-230	29,600	15.50	13.20	25,400	16,300	3.56	2.48	8.20	C33-48	SL280UH090V36B	5532463
XP14-030-230	29,800	15.20	13.20	25,600	16,400	3.58	2.48	8.50	C33-48	SL280UH090V48B	5431489
XP14-030-230	29,800	15.20	13.20	25,600	16,400	3.58	2.48	8.50	C33-48	SL280UH090XV48B	8133205
XP14-030-230	29,600	15.20	13.00	25,600	16,500	3.54	2.48	8.20	C33-48	SLP98UH070XV36B	5431627
XP14-030-230	29,600	15.50	13.20	25,400	16,300	3.54	2.48	8.20	C33-48	SLP98UH090XV36C	5431636
XP14-030-230	30,000	15.20	13.20	25,800	16,600	3.62	2.50	8.50	C37-31A	EL180UH045E36A	10086301
XP14-030-230	30,000	15.50	13.20	25,600	16,500	3.62	2.52	8.50	C37-31A	SL280UH070V36A	10086161
XP14-030-230	30,000	15.50	13.20	25,600	16,500	3.62	2.52	8.50	C37-31A	SL280UH070XV36A	10086320
XP14-030-230	30,000	15.70	13.50	25,600	16,400	3.64	2.52	8.50	C37-31B	EL180UH070E36B	10086275
XP14-030-230	30,200	15.70	13.50	25,600	16,500	3.66	2.56	8.70	C37-31B	EL180UH090E48B	10086291
XP14-030-230	30,000	15.20	13.20	25,800	16,700	3.60	2.50	8.50	C37-31B	EL195UH045XE36B	10086102
XP14-030-230	30,200	15.20	13.20	25,800	16,700	3.60	2.50	8.50	C37-31B	EL195UH070XE36B	10086117
XP14-030-230	30,000	15.20	13.20	25,800	16,700	3.60	2.50	8.50	C37-31B	EL296UH045XE36B	10086233
XP14-030-230	29,800	15.20	13.00	25,600	16,600	3.56	2.50	8.50	C37-31B	EL296UH045XV36B	10086196
XP14-030-230	30,200	15.20	13.20	25,800	16,700	3.60	2.50	8.50	C37-31B	EL296UH070XE36B	10086261
XP14-030-230	29,800	15.50	13.20	25,600	16,500	3.60	2.52	8.50	C37-31B	EL296UH070XV36B	10086221
XP14-030-230	30,000	15.70	13.50	25,400	16,400	3.62	2.54	8.50	C37-31B	SL280UH090V36B	10086177
XP14-030-230	30,200	15.50	13.50	25,800	16,500	3.68	2.54	8.50	C37-31B	SL280UH090V48B	10086113
XP14-030-230	30,200	15.50	13.50	25,800	16,500	3.68	2.54	8.50	C37-31B	SL280UH090XV48B	10086341
XP14-030-230	30,000	15.20	13.20	25,600	16,600	3.62	2.52	8.50	C37-31B	SLP98UH070XV36B	10086150
XP14-030-230	29,200	15.20	13.00	25,400	16,500	3.60	2.52	8.50	C37-36A	SL280UH070V36A	10086157
XP14-030-230	29,200	15.20	13.00	25,400	16,500	3.60	2.52	8.50	C37-36A	SL280UH070XV36A	10086321
XP14-030-230	29,200	15.20	13.20	25,400	16,400	3.62	2.52	8.50	C37-36B	EL180UH070E36B	10086282
XP14-030-230	29,200	15.20	13.20	25,400	16,400	3.64	2.52	8.50	C37-36B	EL180UH090E48B	10086289
XP14-030-230	29,200	14.70	12.70	25,600	16,600	3.58	2.48	8.50	C37-36B	EL195UH045XE36B	10086119
XP14-030-230	29,400	15.00	12.70	25,800	16,700	3.60	2.50	8.50	C37-36B	EL195UH070XE36B	10086110
XP14-030-230	29,200	14.70	12.70	25,600	16,600	3.58	2.48	8.50	C37-36B	EL296UH045XE36B	10086235
XP14-030-230	29,000	14.70	12.70	25,600	16,600	3.56	2.48	8.20	C37-36B	EL296UH045XV36B	10086206
XP14-030-230	29,400	15.00	12.70	25,800	16,700	3.60	2.50	8.50	C37-36B	EL296UH070XE36B	10086252

**NOTES:**

Ratings are AHRI certified to AHRI Standard 210/240 (with 25 ft. of connecting refrigerant lines);

- Cooling Ratings - 95°F outdoor air temperature and 80°F db/67°F wb entering indoor coil air.
- High Temperature Heating Ratings - 47°F db/43°F wb outdoor air temperature and 70°F db entering indoor coil air.
- Low Temperature Heating Ratings - 17°F db/15°F wb outdoor air temperature and 70°F db entering indoor coil air.

All ratings include the use of a blower time delay relay (TDR). All Lennox variable-speed Furnaces and Air Handlers have time delay capabilities. Other Furnaces and Air Handlers may require an optional time delay relay (**58M81**) for field installation. See furnace or air handler specifications to determine if relay is needed.

Also see TXV Substitution Table at the beginning of the Heat Pump AHRI System Matches section.

When used with gas furnaces, a dual-fuel control, a control system with dual-fuel capabilities (LZP-2 or LZP-4), or a thermostat with dual-fuel capabilities must be used (ordered extra).

To convert HSPF from Region IV to Region V - Divide by 1.15.

## AHRI SYSTEM MATCHES

Model No.	Cooling Capacity	SEER	EER	Heat Capacity		Heat COP		HSPF (IV)	Coil or Air Handler	Furnace	AHRI Reference
				High	Low	High	Low				
XP14-030-230	29,000	15.20	13.00	25,400	16,400	3.58	2.50	8.50	C37-36B	EL296UH070XV36B	10086224
XP14-030-230	29,200	15.20	13.20	25,400	16,300	3.62	2.52	8.50	C37-36B	SL280UH090V36B	10086168
XP14-030-230	29,400	15.20	13.00	25,600	16,500	3.64	2.52	8.50	C37-36B	SL280UH090V48B	10086096
XP14-030-230	29,400	15.20	13.00	25,600	16,500	3.64	2.52	8.50	C37-36B	SL280UH090XV48B	10086334
XP14-030-230	29,200	15.00	13.00	25,600	16,500	3.60	2.50	8.50	C37-36B	SLP98UH070XV36B	10086112
XP14-030-230	29,600	15.20	13.00	25,800	16,600	3.68	2.52	8.70	C37-36C	EL195UH090XE48C	10086108
XP14-030-230	29,600	15.20	13.00	25,800	16,600	3.68	2.52	8.70	C37-36C	EL296UH090XE48C	10086234
XP14-030-230	29,200	15.20	13.20	25,400	16,400	3.62	2.52	8.50	C37-36C	EL296UH090XV36C	10086307
XP14-030-230	29,200	15.20	13.20	25,400	16,400	3.62	2.52	8.50	C37-36C	SLP98UH090XV36C	10086106
XP14-030-230	29,600	15.20	13.20	25,600	16,600	3.66	2.54	8.70	C37-36C	SLP98UH090XV48C	10086124
XP14-030-230	30,800	15.50	13.50	25,800	16,600	3.66	2.54	8.50	C37-38A	EL180UH045E36A	10086287
XP14-030-230	30,800	15.70	13.50	25,600	16,500	3.68	2.54	8.70	C37-38A	SL280UH070V36A	10086162
XP14-030-230	30,800	15.70	13.50	25,600	16,500	3.68	2.54	8.70	C37-38A	SL280UH070XV36A	10086319
XP14-030-230	30,400	14.00	12.20	26,200	17,200	3.44	2.40	8.20	C37-38A		10086053
XP14-030-230	30,800	15.70	13.70	25,600	16,400	3.70	2.54	8.70	C37-38B	EL180UH070E36B	10086273
XP14-030-230	31,000	15.70	13.70	25,600	16,500	3.72	2.58	8.70	C37-38B	EL180UH090E48B	10086268
XP14-030-230	30,800	15.20	13.20	25,800	16,700	3.64	2.54	8.50	C37-38B	EL195UH045XE36B	10086109
XP14-030-230	31,000	15.50	13.20	26,000	16,800	3.70	2.54	8.70	C37-38B	EL195UH070XE36B	10086138
XP14-030-230	30,800	15.20	13.20	25,800	16,700	3.64	2.54	8.50	C37-38B	EL296UH045XE36B	10086240
XP14-030-230	30,800	15.20	13.20	25,800	16,600	3.64	2.52	8.50	C37-38B	EL296UH045XV36B	10086204
XP14-030-230	31,000	15.50	13.20	26,000	16,800	3.70	2.54	8.70	C37-38B	EL296UH070XE36B	10086251
XP14-030-230	30,600	15.70	13.50	25,600	16,500	3.66	2.54	8.50	C37-38B	EL296UH070XV36B	10086192
XP14-030-230	30,800	15.70	13.70	25,400	16,400	3.68	2.56	8.70	C37-38B	SL280UH090V36B	10086180
XP14-030-230	31,000	15.70	13.70	25,600	16,600	3.70	2.58	8.70	C37-38B	SL280UH090V48B	10086091
XP14-030-230	31,000	15.70	13.70	25,600	16,600	3.70	2.58	8.70	C37-38B	SL280UH090XV48B	10086330
XP14-030-230	30,600	15.70	13.50	25,600	16,500	3.66	2.54	8.50	C37-38B	SLP98UH070XV36B	10086136
XP14-030-230	30,400	14.00	12.20	26,200	17,200	3.44	2.40	8.20	C37-38B		10086054
XP14-030-230	29,200	15.20	13.20	25,400	16,400	3.62	2.52	8.50	C37-42B	EL180UH070E36B	10086276
XP14-030-230	29,200	15.20	13.20	25,400	16,400	3.64	2.52	8.50	C37-42B	EL180UH090E48B	10086901
XP14-030-230	29,200	14.70	12.70	25,600	16,600	3.58	2.48	8.50	C37-42B	EL195UH045XE36B	10086104
XP14-030-230	29,400	15.00	12.70	25,800	16,700	3.60	2.50	8.50	C37-42B	EL195UH070XE36B	10086131
XP14-030-230	29,200	14.70	12.70	25,600	16,600	3.58	2.48	8.50	C37-42B	EL296UH045XE36B	10086716
XP14-030-230	29,000	14.70	12.70	25,600	16,600	3.56	2.48	8.20	C37-42B	EL296UH045XV36B	10086211
XP14-030-230	29,400	15.00	12.70	25,800	16,700	3.60	2.50	8.50	C37-42B	EL296UH070XE36B	10086257
XP14-030-230	29,000	15.20	13.00	25,400	16,400	3.58	2.50	8.50	C37-42B	EL296UH070XV36B	10086187
XP14-030-230	29,200	15.20	13.20	25,400	16,300	3.62	2.52	8.50	C37-42B	SL280UH090V36B	10086175
XP14-030-230	29,400	15.20	13.00	25,600	16,500	3.64	2.52	8.50	C37-42B	SL280UH090V48B	10086087
XP14-030-230	29,400	15.20	13.00	25,600	16,500	3.64	2.52	8.50	C37-42B	SL280UH090XV48B	10086331
XP14-030-230	29,200	15.00	13.00	25,600	16,500	3.60	2.50	8.50	C37-42B	SLP98UH070XV36B	10086118
XP14-030-230	30,400	15.70	13.70	25,600	16,400	3.66	2.54	8.70	C37-43B	EL180UH070E36B	10086278
XP14-030-230	30,600	16.00	13.50	25,800	16,500	3.72	2.56	8.50	C37-43B	EL180UH090E48B	10086288
XP14-030-230	30,400	15.50	13.20	25,800	16,700	3.62	2.52	8.50	C37-43B	EL195UH045XE36B	10086121
XP14-030-230	30,600	15.50	13.20	26,000	16,700	3.66	2.52	8.50	C37-43B	EL195UH070XE36B	10086097
XP14-030-230	30,400	15.50	13.20	25,800	16,700	3.62	2.52	8.50	C37-43B	EL296UH045XE36B	10086250
XP14-030-230	30,200	15.50	13.20	25,800	16,600	3.62	2.50	8.50	C37-43B	EL296UH045XV36B	10086210
XP14-030-230	30,600	15.50	13.20	26,000	16,700	3.66	2.52	8.50	C37-43B	EL296UH070XE36B	10086238
XP14-030-230	30,200	15.70	13.50	25,600	16,500	3.64	2.54	8.50	C37-43B	EL296UH070XV36B	10086203

### NOTES:

Ratings are AHRI certified to AHRI Standard 210/240 (with 25 ft. of connecting refrigerant lines);

- Cooling Ratings - 95°F outdoor air temperature and 80°F db/67°F wb entering indoor coil air.

- High Temperature Heating Ratings - 47°F db/43°F wb outdoor air temperature and 70°F db entering indoor coil air.

- Low Temperature Heating Ratings - 17°F db/15°F wb outdoor air temperature and 70°F db entering indoor coil air.

All ratings include the use of a blower time delay relay (TDR). All Lennox variable-speed Furnaces and Air Handlers have time delay capabilities. Other Furnaces and Air Handlers may require an optional time delay relay (**58M81**) for field installation. See furnace or air handler specifications to determine if relay is needed.

Also see TXV Substitution Table at the beginning of the Heat Pump AHRI System Matches section.

When used with gas furnaces, a dual-fuel control, a control system with dual-fuel capabilities (LZP-2 or LZP-4), or a thermostat with dual-fuel capabilities must be used (ordered extra).

To convert HSPF from Region IV to Region V - Divide by 1.15.

## AHRI SYSTEM MATCHES

Model No.	Cooling Capacity	SEER	EER	Heat Capacity		Heat High	COP Low	HSPF (IV)	Coil or Air Handler	Furnace	AHRI Reference
				High	Low						
XP14-030-230	30,400	16.00	13.50	25,600	16,400	3.68	2.56	8.50	C37-43B	SL280UH090V36B	10086176
XP14-030-230	30,600	15.70	13.50	25,800	16,600	3.70	2.56	8.70	C37-43B	SL280UH090V48B	10086093
XP14-030-230	30,600	15.70	13.50	25,800	16,600	3.70	2.56	8.70	C37-43B	SL280UH090XV48B	10086333
XP14-030-230	30,400	15.70	13.50	25,800	16,600	3.66	2.54	8.50	C37-43B	SLP98UH070XV36B	10086142
XP14-030-230	30,800	15.70	13.50	26,000	16,700	3.70	2.56	8.70	C37-43C	EL195UH090XE48C	10086103
XP14-030-230	30,800	15.70	13.50	26,000	16,700	3.70	2.56	8.70	C37-43C	EL296UH090XE48C	10086239
XP14-030-230	30,400	16.00	13.50	25,600	16,400	3.70	2.56	8.50	C37-43C	EL296UH090XV36C	10086220
XP14-030-230	30,800	16.00	13.50	25,800	16,500	3.76	2.60	8.50	C37-43C	EL296UH090XV48C	10086215
XP14-030-230	30,400	16.00	13.50	25,600	16,400	3.70	2.56	8.50	C37-43C	SLP98UH090XV36C	10086137
XP14-030-230	30,800	16.00	13.50	25,800	16,500	3.76	2.60	8.50	C37-43C	SLP98UH090XV48C	10086101
XP14-030-230	29,600	15.50	13.20	25,400	16,300	3.54	2.48	8.20	C37-48B	EL180UH070E36B	10086272
XP14-030-230	29,800	15.50	13.20	25,400	16,400	3.58	2.50	8.50	C37-48B	EL180UH090E48B	10086293
XP14-030-230	29,600	15.00	13.00	25,600	16,600	3.50	2.46	8.20	C37-48B	EL195UH045XE36B	10086145
XP14-030-230	30,000	15.00	13.00	25,800	16,600	3.56	2.46	8.20	C37-48B	EL195UH070XE36B	10086114
XP14-030-230	29,600	15.00	13.00	25,600	16,600	3.50	2.46	8.20	C37-48B	EL296UH045XE36B	10086255
XP14-030-230	29,600	15.00	13.00	25,600	16,500	3.50	2.44	8.20	C37-48B	EL296UH045XV36B	10086188
XP14-030-230	30,000	15.00	13.00	25,800	16,600	3.56	2.46	8.20	C37-48B	EL296UH070XE36B	10086249
XP14-030-230	29,600	15.20	13.20	25,400	16,400	3.52	2.46	8.20	C37-48B	EL296UH070XV36B	10086209
XP14-030-230	29,600	15.50	13.20	25,400	16,300	3.56	2.48	8.20	C37-48B	SL280UH090V36B	10086164
XP14-030-230	29,800	15.20	13.20	25,600	16,400	3.58	2.48	8.50	C37-48B	SL280UH090V48B	10086089
XP14-030-230	29,800	15.20	13.20	25,600	16,400	3.58	2.48	8.50	C37-48B	SL280UH090XV48B	10086335
XP14-030-230	29,600	15.20	13.00	25,600	16,500	3.54	2.48	8.20	C37-48B	SLP98UH070XV36B	10086148
XP14-030-230	30,200	15.20	13.20	25,800	16,600	3.62	2.50	8.50	C37-48C	EL195UH090XE48C	10086120
XP14-030-230	30,200	15.20	13.20	25,800	16,600	3.62	2.50	8.50	C37-48C	EL296UH090XE48C	10086243
XP14-030-230	29,600	15.50	13.20	25,400	16,300	3.54	2.48	8.20	C37-48C	EL296UH090XV36C	10086217
XP14-030-230	30,000	15.50	13.20	25,600	16,500	3.60	2.50	8.50	C37-48C	EL296UH090XV48C	10086218
XP14-030-230	29,600	15.50	13.20	25,400	16,300	3.54	2.48	8.20	C37-48C	SLP98UH090XV36C	10086143
XP14-030-230	30,000	15.00	13.00	26,000	16,600	3.88	2.66	8.50	CBA27UHE-030		10260311
XP14-030-230	28,200	14.00	12.00	26,200	17,100	3.64	2.52	8.20	CBX25UH-030		5727004
XP14-030-230	28,200	14.00	12.00	26,600	17,100	3.58	2.48	8.20	CBX25UH-036		5796508
XP14-030-230	28,600	15.00	12.50	25,600	16,400	3.66	2.54	8.50	CBX25UHV-030		6970217
XP14-030-230	30,000	15.00	13.00	26,400	16,800	3.88	2.66	9.00	CBX27UH-030		5431515
XP14-030-230	30,000	15.00	13.00	26,200	16,700	3.88	2.68	9.00	CBX27UH-036		5431516
XP14-030-230	29,200	14.50	12.50	26,200	16,900	3.68	2.56	8.70	CBX32M-030		5431517
XP14-030-230	30,000	14.50	12.00	26,800	17,300	3.74	2.58	8.70	CBX32M-036		5431518
XP14-030-230	29,200	14.20	12.20	26,400	17,100	3.68	2.54	8.70	CBX32MV-024/030		5431519
XP14-030-230	30,000	14.50	12.50	26,600	17,000	3.80	2.62	8.70	CBX32MV-036		5431520
XP14-030-230	30,000	14.50	12.50	26,600	17,000	3.78	2.60	8.70	CBX40UHV-030		5431521
XP14-030-230	30,000	15.00	12.50	26,400	16,900	3.80	2.62	8.70	CBX40UHV-036		5431522
XP14-030-230	29,800	15.20	13.20	25,800	16,600	3.64	2.52	8.50	CH23-41	EL180UH045E36A	5741768
XP14-030-230	29,800	15.50	13.50	25,600	16,400	3.70	2.54	8.70	CH23-41	EL180UH070E36B	5742050
XP14-030-230	29,800	15.70	13.50	25,600	16,400	3.72	2.56	8.70	CH23-41	EL180UH090E48B	5742368
XP14-030-230	29,600	15.00	13.00	25,800	16,600	3.62	2.50	8.50	CH23-41	EL195UH045XE36B	5431596
XP14-030-230	29,600	15.00	12.70	25,800	16,700	3.60	2.50	8.50	CH23-41	EL195UH070XE36B	5431568
XP14-030-230	29,600	15.00	13.00	25,800	16,600	3.62	2.50	8.50	CH23-41	EL296UH045XE36B	5650678
XP14-030-230	29,400	15.20	13.20	25,600	16,400	3.62	2.50	8.50	CH23-41	EL296UH045XV36B	5562700
XP14-030-230	29,600	15.00	12.70	25,800	16,700	3.60	2.50	8.50	CH23-41	EL296UH070XE36B	5650651

**NOTES:**

Ratings are AHRI certified to AHRI Standard 210/240 (with 25 ft. of connecting refrigerant lines);

- Cooling Ratings - 95°F outdoor air temperature and 80°F db/67°F wb entering indoor coil air.
- High Temperature Heating Ratings - 47°F db/43°F wb outdoor air temperature and 70°F db entering indoor coil air.
- Low Temperature Heating Ratings - 17°F db/15°F wb outdoor air temperature and 70°F db entering indoor coil air.

All ratings include the use of a blower time delay relay (TDR). All Lennox variable-speed Furnaces and Air Handlers have time delay capabilities. Other Furnaces and Air Handlers may require an optional time delay relay (**58M81**) for field installation. See furnace or air handler specifications to determine if relay is needed.

Also see TXV Substitution Table at the beginning of the Heat Pump AHRI System Matches section.

When used with gas furnaces, a dual-fuel control, a control system with dual-fuel capabilities (LZP-2 or LZP-4), or a thermostat with dual-fuel capabilities must be used (ordered extra).

To convert HSPF from Region IV to Region V - Divide by 1.15.

## AHRI SYSTEM MATCHES

Model No.	Cooling Capacity	SEER	EER	Heat Capacity		Heat COP		HSPF (IV)	Coil or Air Handler	Furnace	AHRI Reference
				High	Low	High	Low				
XP14-030-230	29,400	15.50	13.20	25,400	16,300	3.62	2.50	8.50	CH23-41	EL296UH070XV36B	5562713
XP14-030-230	29,400	15.70	13.50	25,400	16,300	3.68	2.56	8.50	CH23-41	SL280UH090V36B	5532475
XP14-030-230	29,800	15.50	13.20	25,600	16,400	3.68	2.54	8.70	CH23-41	SL280UH090V48B	5431529
XP14-030-230	29,800	15.50	13.20	25,600	16,400	3.68	2.54	8.70	CH23-41	SL280UH090XV48B	8133208
XP14-030-230	29,600	15.20	13.20	25,600	16,400	3.64	2.52	8.50	CH23-41	SLP98UH070XV36B	5431637
XP14-030-230	29,600	15.70	13.20	25,600	16,500	3.74	2.58	8.70	CH23-51	EL180UH070E36B	5742042
XP14-030-230	29,800	15.70	13.20	25,800	16,500	3.78	2.60	8.70	CH23-51	EL180UH090E48B	5742358
XP14-030-230	29,600	15.20	13.00	25,800	16,700	3.66	2.54	8.50	CH23-51	EL195UH045XE36B	5431597
XP14-030-230	29,600	15.00	12.70	26,000	16,700	3.66	2.52	8.50	CH23-51	EL195UH070XE36B	5431569
XP14-030-230	29,600	15.20	13.00	25,800	16,700	3.66	2.54	8.50	CH23-51	EL296UH045XE36B	5650672
XP14-030-230	29,600	15.00	12.70	26,000	16,700	3.66	2.52	8.50	CH23-51	EL296UH070XE36B	5650646
XP14-030-230	29,400	15.50	13.20	25,400	16,400	3.68	2.58	8.70	CH23-51	EL296UH090XV36C	5562721
XP14-030-230	29,800	15.70	13.50	25,800	16,500	3.80	2.60	8.70	CH23-51	EL296UH090XV48C	5562727
XP14-030-230	29,400	15.50	13.20	25,400	16,400	3.68	2.58	8.70	CH23-51	SLP98UH090XV36C	5431614
XP14-030-230	29,800	15.20	13.00	26,000	16,800	3.72	2.60	8.70	CH33-31A	EL180UH045E36A	5741765
XP14-030-230	30,000	15.20	13.20	26,000	16,700	3.74	2.60	8.70	CH33-31A	SL280UH070V36A	5532375
XP14-030-230	30,000	15.20	13.20	26,000	16,700	3.74	2.60	8.70	CH33-31A	SL280UH070XV36A	8133180
XP14-030-230	29,600	14.00	12.20	26,600	17,300	3.54	2.46	8.20	CH33-31A		5431403
XP14-030-230	30,400	15.70	13.50	25,800	16,500	3.72	2.56	8.70	CH33-31B	EL180UH070E36B	5742047
XP14-030-230	30,400	15.70	13.70	25,600	16,500	3.72	2.58	8.70	CH33-31B	EL180UH090E48B	5742359
XP14-030-230	30,200	15.20	13.20	25,800	16,700	3.64	2.52	8.50	CH33-31B	EL195UH045XE36B	5431598
XP14-030-230	30,400	15.50	13.20	26,000	16,800	3.68	2.54	8.70	CH33-31B	EL195UH070XE36B	5431570
XP14-030-230	30,200	15.20	13.20	25,800	16,700	3.64	2.52	8.50	CH33-31B	EL296UH045XE36B	5650644
XP14-030-230	30,000	15.20	13.20	25,800	16,600	3.62	2.52	8.50	CH33-31B	EL296UH045XV36B	5562688
XP14-030-230	30,400	15.50	13.20	26,000	16,800	3.68	2.54	8.70	CH33-31B	EL296UH070XE36B	5650663
XP14-030-230	30,000	15.70	13.20	25,600	16,500	3.66	2.54	8.50	CH33-31B	EL296UH070XV36B	5562711
XP14-030-230	30,200	15.70	13.70	25,600	16,400	3.70	2.56	8.70	CH33-31B	SL280UH090V36B	5532468
XP14-030-230	30,400	15.70	13.50	25,800	16,600	3.72	2.58	8.70	CH33-31B	SL280UH090V48B	5431445
XP14-030-230	30,400	15.70	13.50	25,800	16,600	3.72	2.58	8.70	CH33-31B	SL280UH090XV48B	8133200
XP14-030-230	30,200	15.50	13.20	25,800	16,600	3.68	2.54	8.70	CH33-31B	SLP98UH070XV36B	5431617
XP14-030-230	29,800	14.00	12.20	26,400	17,200	3.46	2.40	8.20	CH33-31B		5431404
XP14-030-230	29,000	14.70	12.70	25,600	16,600	3.52	2.48	8.20	CH33-36A	EL180UH045E36A	5741766
XP14-030-230	29,000	14.70	12.70	25,600	16,600	3.54	2.50	8.20	CH33-36A	SL280UH070V36A	5532378
XP14-030-230	29,000	14.70	12.70	25,600	16,600	3.54	2.50	8.20	CH33-36A	SL280UH070XV36A	8133183
XP14-030-230	29,600	15.20	13.20	25,600	16,500	3.66	2.54	8.50	CH33-36B	EL180UH070E36B	5742044
XP14-030-230	29,400	15.20	13.20	25,600	16,400	3.66	2.54	8.70	CH33-36B	EL180UH090E48B	5742361
XP14-030-230	29,400	14.70	12.70	25,800	16,600	3.60	2.50	8.50	CH33-36B	EL195UH045XE36B	5431599
XP14-030-230	29,600	15.00	12.70	26,000	16,700	3.64	2.50	8.50	CH33-36B	EL195UH070XE36B	5431571
XP14-030-230	29,400	14.70	12.70	25,800	16,600	3.60	2.50	8.50	CH33-36B	EL296UH045XE36B	5650661
XP14-030-230	29,200	14.70	12.70	25,600	16,600	3.56	2.50	8.50	CH33-36B	EL296UH045XV36B	5562692
XP14-030-230	29,600	15.00	12.70	26,000	16,700	3.64	2.50	8.50	CH33-36B	EL296UH070XE36B	5650680
XP14-030-230	29,200	15.20	13.00	25,600	16,400	3.62	2.50	8.50	CH33-36B	EL296UH070XV36B	5562715
XP14-030-230	29,200	15.20	13.20	25,400	16,400	3.64	2.54	8.50	CH33-36B	SL280UH090V36B	5532469
XP14-030-230	29,600	15.20	13.20	25,600	16,500	3.64	2.54	8.50	CH33-36B	SL280UH090V48B	5431468
XP14-030-230	29,600	15.20	13.20	25,600	16,500	3.64	2.54	8.50	CH33-36B	SL280UH090XV48B	8133202
XP14-030-230	29,400	15.20	13.00	25,600	16,500	3.62	2.52	8.50	CH33-36B	SLP98UH070XV36B	5431618
XP14-030-230	29,800	15.20	13.00	26,000	16,700	3.70	2.54	8.70	CH33-36C	EL195UH090XE48C	5431587

### NOTES:

Ratings are AHRI certified to AHRI Standard 210/240 (with 25 ft. of connecting refrigerant lines);

- Cooling Ratings - 95°F outdoor air temperature and 80°F db/67°F wb entering indoor coil air.

- High Temperature Heating Ratings - 47°F db/43°F wb outdoor air temperature and 70°F db entering indoor coil air.

- Low Temperature Heating Ratings - 17°F db/15°F wb outdoor air temperature and 70°F db entering indoor coil air.

All ratings include the use of a blower time delay relay (TDR). All Lennox variable-speed Furnaces and Air Handlers have time delay capabilities. Other Furnaces and Air Handlers may require an optional time delay relay (**58M81**) for field installation. See furnace or air handler specifications to determine if relay is needed.

Also see TXV Substitution Table at the beginning of the Heat Pump AHRI System Matches section.

When used with gas furnaces, a dual-fuel control, a control system with dual-fuel capabilities (LZP-2 or LZP-4), or a thermostat with dual-fuel capabilities must be used (ordered extra).

To convert HSPF from Region IV to Region V - Divide by 1.15.

## AHRI SYSTEM MATCHES

Model No.	Cooling Capacity	SEER	EER	Heat Capacity		Heat High	COP Low	HSPF (IV)	Coil or Air Handler	Furnace	AHRI Reference
				High	Low						
XP14-030-230	29,800	15.20	13.00	26,000	16,700	3.70	2.54	8.70	CH33-36C	EL296UH090XE48C	5650682
XP14-030-230	29,400	15.50	13.20	25,600	16,500	3.72	2.58	8.70	CH33-36C	EL296UH090XV36C	5562723
XP14-030-230	30,000	15.50	13.20	26,000	16,700	3.80	2.62	8.70	CH33-36C	EL296UH090XV48C	5562728
XP14-030-230	29,400	15.50	13.20	25,600	16,500	3.72	2.58	8.70	CH33-36C	SLP98UH090XV36C	5431619
XP14-030-230	30,000	15.50	13.20	26,000	16,700	3.80	2.62	8.70	CH33-36C	SLP98UH090XV48C	5431623
XP14-030-230	30,000	15.70	13.20	25,600	16,500	3.66	2.54	8.50	CH33-42	EL180UH070E36B	5742049
XP14-030-230	30,000	15.70	13.50	25,600	16,500	3.68	2.56	8.70	CH33-42	EL180UH090E48B	5742367
XP14-030-230	30,000	15.20	13.20	25,800	16,600	3.60	2.50	8.50	CH33-42	EL195UH045XE36B	5431600
XP14-030-230	30,200	15.20	13.20	25,800	16,700	3.62	2.52	8.50	CH33-42	EL195UH070XE36B	5431572
XP14-030-230	30,000	15.20	13.20	25,800	16,600	3.60	2.50	8.50	CH33-42	EL296UH045XE36B	5650655
XP14-030-230	29,800	15.20	13.00	25,600	16,600	3.56	2.50	8.50	CH33-42	EL296UH045XV36B	5562697
XP14-030-230	30,200	15.20	13.20	25,800	16,700	3.62	2.52	8.50	CH33-42	EL296UH070XE36B	5650675
XP14-030-230	29,800	15.50	13.20	25,600	16,400	3.62	2.50	8.50	CH33-42	EL296UH070XV36B	5562708
XP14-030-230	29,800	15.70	13.50	25,400	16,400	3.64	2.54	8.50	CH33-42	SL280UH090V36B	5532474
XP14-030-230	30,200	15.50	13.50	25,800	16,500	3.68	2.54	8.70	CH33-42	SL280UH090V48B	5431496
XP14-030-230	30,200	15.50	13.50	25,800	16,500	3.68	2.54	8.70	CH33-42	SL280UH090XV48B	8133206
XP14-030-230	30,000	15.50	13.20	25,600	16,600	3.62	2.54	8.50	CH33-42	SLP98UH070XV36B	5431628
XP14-030-230	30,400	16.00	13.50	25,600	16,400	3.72	2.58	8.50	CH33-43	EL296UH090XV36C	5562718
XP14-030-230	31,000	16.00	14.00	25,800	16,500	3.80	2.60	8.50	CH33-43	EL296UH090XV48C	5562724
XP14-030-230	30,400	16.00	13.50	25,600	16,400	3.72	2.58	8.50	CH33-43	SLP98UH090XV36C	5431629
XP14-030-230	31,000	16.00	14.00	25,800	16,500	3.80	2.60	8.50	CH33-43	SLP98UH090XV48C	5431630
XP14-030-230	30,000	14.20	12.20	26,400	17,200	3.46	2.40	8.20	CH33-43		5431412
XP14-030-230	31,000	15.70	13.70	26,000	16,700	3.74	2.56	8.70	CH33-43C	EL195UH090XE48C	5431588
XP14-030-230	31,000	15.70	13.70	26,000	16,700	3.74	2.56	8.70	CH33-43C	EL296UH090XE48C	5650677
XP14-030-230	29,800	15.00	13.00	27,000	17,300	3.76	2.60	8.70	CR33-30/36	EL180DF045E36A	5741529
XP14-030-230	29,800	15.50	13.20	26,800	17,100	3.84	2.64	9.00	CR33-30/36	EL180DF070E36B	5741559
XP14-030-230	29,800	15.50	13.20	26,800	17,100	3.82	2.64	9.00	CR33-30/36	EL180DF090E48B	5741583
XP14-030-230	29,600	15.00	12.70	27,000	17,300	3.76	2.60	8.70	CR33-30/36	EL195DF045XE36B	5431574
XP14-030-230	30,000	15.20	13.20	27,000	17,300	3.82	2.64	9.00	CR33-30/36	EL195DF070XE48B	5431575
XP14-030-230	29,600	15.20	13.20	26,800	17,100	3.80	2.62	8.70	CR33-30/36	EL195DF090XE48C	5431576
XP14-030-230	29,600	15.00	12.70	27,000	17,300	3.76	2.60	8.70	CR33-30/36	EL296DF045XE36B	5650641
XP14-030-230	29,600	15.20	13.20	26,800	17,100	3.76	2.60	8.70	CR33-30/36	EL296DF045XV36B	5562683
XP14-030-230	30,000	15.20	13.20	27,000	17,300	3.82	2.64	9.00	CR33-30/36	EL296DF070XE48B	5650658
XP14-030-230	29,600	15.00	13.00	26,800	17,200	3.72	2.58	8.70	CR33-30/36	EL296DF070XV48B	5562684
XP14-030-230	29,600	15.20	13.20	26,800	17,100	3.80	2.62	8.70	CR33-30/36	EL296DF090XE48C	5650652
XP14-030-230	29,600	15.20	13.00	26,800	17,200	3.76	2.60	8.70	CR33-30/36	SL280DF070V36A	5431500
XP14-030-230	29,600	15.20	13.20	26,800	17,100	3.80	2.62	8.70	CR33-30/36	SL280DF090V48B	5532331
XP14-030-230	29,600	15.20	13.00	26,800	17,200	3.76	2.60	8.70	CR33-30/36	SLP98DF070XV36B	5431631
XP14-030-230	29,800	15.50	13.20	26,800	17,100	3.82	2.64	9.00	CR33-30/36	SLP98DF090XV36C	5431632
XP14-030-230	29,600	15.20	13.20	26,800	17,100	3.80	2.62	8.70	CR33-30/36	SLP98DF090XV48C	5431633
XP14-030-230	30,000	15.20	13.20	25,800	16,600	3.62	2.50	8.50	CX34-31	EL180UH045E36A	5741764
XP14-030-230	30,000	15.70	13.50	25,600	16,400	3.64	2.52	8.50	CX34-31	EL180UH070E36B	5742040
XP14-030-230	30,200	15.70	13.50	25,600	16,500	3.66	2.56	8.70	CX34-31	EL180UH090E48B	5742363
XP14-030-230	30,000	15.20	13.20	25,800	16,700	3.60	2.50	8.50	CX34-31	EL195UH045XE36B	5431601
XP14-030-230	30,200	15.20	13.20	25,800	16,700	3.60	2.50	8.50	CX34-31	EL195UH070XE36B	5431573
XP14-030-230	30,000	15.20	13.20	25,800	16,700	3.60	2.50	8.50	CX34-31	EL296UH045XE36B	5650650
XP14-030-230	29,800	15.20	13.00	25,600	16,600	3.56	2.50	8.50	CX34-31	EL296UH045XV36B	5562696

**NOTES:**

Ratings are AHRI certified to AHRI Standard 210/240 (with 25 ft. of connecting refrigerant lines);

- Cooling Ratings - 95°F outdoor air temperature and 80°F db/67°F wb entering indoor coil air.
- High Temperature Heating Ratings - 47°F db/43°F wb outdoor air temperature and 70°F db entering indoor coil air.
- Low Temperature Heating Ratings - 17°F db/15°F wb outdoor air temperature and 70°F db entering indoor coil air.

All ratings include the use of a blower time delay relay (TDR). All Lennox variable-speed Furnaces and Air Handlers have time delay capabilities. Other Furnaces and Air Handlers may require an optional time delay relay (**58M81**) for field installation. See furnace or air handler specifications to determine if relay is needed.

Also see TXV Substitution Table at the beginning of the Heat Pump AHRI System Matches section.

When used with gas furnaces, a dual-fuel control, a control system with dual-fuel capabilities (LZP-2 or LZP-4), or a thermostat with dual-fuel capabilities must be used (ordered extra).

To convert HSPF from Region IV to Region V - Divide by 1.15.

## AHRI SYSTEM MATCHES

Model No.	Cooling Capacity	SEER	EER	Heat Capacity		Heat COP		HSPF (IV)	Coil or Air Handler	Furnace	AHRI Reference
				High	Low	High	Low				
XP14-030-230	30,200	15.20	13.20	25,800	16,700	3.60	2.50	8.50	CX34-31	EL296UH070XE36B	5650669
XP14-030-230	29,800	15.50	13.20	25,600	16,500	3.60	2.52	8.50	CX34-31	EL296UH070XV36B	5562705
XP14-030-230	30,000	15.50	13.20	25,600	16,500	3.62	2.52	8.50	CX34-31	SL280UH070V36A	5532376
XP14-030-230	30,000	15.50	13.20	25,600	16,500	3.62	2.52	8.50	CX34-31	SL280UH070XV36A	8133181
XP14-030-230	30,000	15.70	13.50	25,400	16,400	3.62	2.54	8.50	CX34-31	SL280UH090V36B	5532464
XP14-030-230	30,200	15.50	13.50	25,800	16,500	3.68	2.54	8.50	CX34-31	SL280UH090V48B	5431513
XP14-030-230	30,200	15.50	13.50	25,800	16,500	3.68	2.54	8.50	CX34-31	SL280UH090XV48B	8133207
XP14-030-230	30,000	15.20	13.20	25,600	16,600	3.62	2.52	8.50	CX34-31	SLP98UH070XV36B	5431634
XP14-030-230	29,200	15.20	13.20	25,400	16,400	3.62	2.52	8.50	CX34-36	EL180UH070E36B	5742052
XP14-030-230	29,200	15.20	13.20	25,400	16,400	3.64	2.52	8.50	CX34-36	EL180UH090E48B	5742366
XP14-030-230	29,200	14.70	12.70	25,600	16,600	3.58	2.48	8.50	CX34-36	EL195UH045XE36B	5431602
XP14-030-230	29,400	15.00	12.70	25,800	16,700	3.60	2.50	8.50	CX34-36	EL195UH070XE36B	5431579
XP14-030-230	29,600	15.20	13.00	25,800	16,600	3.68	2.52	8.70	CX34-36	EL195UH090XE48C	5431589
XP14-030-230	29,200	14.70	12.70	25,600	16,600	3.58	2.48	8.50	CX34-36	EL296UH045XE36B	5650667
XP14-030-230	29,000	14.70	12.70	25,600	16,600	3.56	2.48	8.20	CX34-36	EL296UH045XV36B	5562698
XP14-030-230	29,400	15.00	12.70	25,800	16,700	3.60	2.50	8.50	CX34-36	EL296UH070XE36B	5650681
XP14-030-230	29,000	15.20	13.00	25,400	16,400	3.58	2.50	8.50	CX34-36	EL296UH070XV36B	5562709
XP14-030-230	29,600	15.20	13.00	25,800	16,600	3.68	2.52	8.70	CX34-36	EL296UH090XE48C	5650671
XP14-030-230	29,200	15.20	13.20	25,400	16,400	3.62	2.52	8.50	CX34-36	EL296UH090XV36C	5767219
XP14-030-230	29,200	15.20	13.00	25,400	16,500	3.60	2.52	8.50	CX34-36	SL280UH070V36A	5532381
XP14-030-230	29,200	15.20	13.00	25,400	16,500	3.60	2.52	8.50	CX34-36	SL280UH070XV36A	8133186
XP14-030-230	29,200	15.20	13.20	25,400	16,300	3.62	2.52	8.50	CX34-36	SL280UH090V36B	5532471
XP14-030-230	29,400	15.20	13.00	25,600	16,500	3.64	2.52	8.50	CX34-36	SL280UH090V48B	5431535
XP14-030-230	29,400	15.20	13.00	25,600	16,500	3.64	2.52	8.50	CX34-36	SL280UH090XV48B	8133209
XP14-030-230	29,200	15.00	13.00	25,600	16,500	3.60	2.50	8.50	CX34-36	SLP98UH070XV36B	5431638
XP14-030-230	29,200	15.20	13.20	25,400	16,400	3.62	2.52	8.50	CX34-36	SLP98UH090XV36C	5431639
XP14-030-230	29,600	15.20	13.20	25,600	16,600	3.66	2.54	8.70	CX34-36	SLP98UH090XV48C	5431640
XP14-030-230	30,800	15.50	13.50	25,800	16,600	3.66	2.54	8.50	CX34-38	EL180UH045E36A	5741767
XP14-030-230	30,800	15.70	13.70	25,600	16,400	3.70	2.54	8.70	CX34-38	EL180UH070E36B	5742051
XP14-030-230	31,000	15.70	13.70	25,600	16,500	3.72	2.58	8.70	CX34-38	EL180UH090E48B	5742369
XP14-030-230	30,800	15.20	13.20	25,800	16,700	3.64	2.54	8.50	CX34-38	EL195UH045XE36B	5431603
XP14-030-230	30,600	15.50	13.20	25,600	16,500	3.70	2.54	8.50	CX34-38	EL195UH070XE36B	5431580
XP14-030-230	30,800	15.20	13.20	25,800	16,700	3.64	2.54	8.50	CX34-38	EL296UH045XE36B	5650684
XP14-030-230	30,800	15.20	13.20	25,800	16,600	3.64	2.52	8.50	CX34-38	EL296UH045XV36B	5562699
XP14-030-230	30,600	15.50	13.20	25,600	16,500	3.70	2.54	8.50	CX34-38	EL296UH070XE36B	5650676
XP14-030-230	30,600	15.70	13.50	25,600	16,500	3.66	2.54	8.50	CX34-38	EL296UH070XV36B	5562710
XP14-030-230	30,800	15.70	13.50	25,600	16,500	3.68	2.54	8.70	CX34-38	SL280UH070V36A	5532382
XP14-030-230	30,800	15.70	13.50	25,600	16,500	3.68	2.54	8.70	CX34-38	SL280UH070XV36A	8133187
XP14-030-230	30,800	15.70	13.70	25,400	16,400	3.68	2.56	8.70	CX34-38	SL280UH090V36B	5532476
XP14-030-230	31,000	15.70	13.70	25,600	16,600	3.70	2.58	8.70	CX34-38	SL280UH090V48B	5431545
XP14-030-230	31,000	15.70	13.70	25,600	16,600	3.70	2.58	8.70	CX34-38	SL280UH090XV48B	8133210
XP14-030-230	30,600	15.70	13.50	25,600	16,500	3.66	2.54	8.50	CX34-38	SLP98UH070XV36B	5431641
XP14-030-230	30,400	14.00	12.20	26,200	17,200	3.44	2.40	8.20	CX34-38		5431417
XP14-030-230	29,200	15.20	13.20	25,400	16,400	3.62	2.52	8.50	CX34-42	EL180UH070E36B	5742055
XP14-030-230	29,200	15.20	13.20	25,400	16,400	3.64	2.52	8.50	CX34-42	EL180UH090E48B	5742370
XP14-030-230	29,200	14.70	12.70	25,600	16,600	3.58	2.48	8.50	CX34-42	EL195UH045XE36B	5431604
XP14-030-230	29,400	15.00	12.70	25,800	16,700	3.60	2.50	8.50	CX34-42	EL195UH070XE36B	5431581

### NOTES:

Ratings are AHRI certified to AHRI Standard 210/240 (with 25 ft. of connecting refrigerant lines);

- Cooling Ratings - 95°F outdoor air temperature and 80°F db/67°F wb entering indoor coil air.

- High Temperature Heating Ratings - 47°F db/43°F wb outdoor air temperature and 70°F db entering indoor coil air.

- Low Temperature Heating Ratings - 17°F db/15°F wb outdoor air temperature and 70°F db entering indoor coil air.

All ratings include the use of a blower time delay relay (TDR). All Lennox variable-speed Furnaces and Air Handlers have time delay capabilities. Other Furnaces and Air Handlers may require an optional time delay relay (**58M81**) for field installation. See furnace or air handler specifications to determine if relay is needed.

Also see TXV Substitution Table at the beginning of the Heat Pump AHRI System Matches section.

When used with gas furnaces, a dual-fuel control, a control system with dual-fuel capabilities (LZP-2 or LZP-4), or a thermostat with dual-fuel capabilities must be used (ordered extra).

To convert HSPF from Region IV to Region V - Divide by 1.15.

## AHRI SYSTEM MATCHES

Model No.	Cooling Capacity	SEER	EER	Heat Capacity		Heat COP		HSPF (IV)	Coil or Air Handler	Furnace	AHRI Reference
				High	Low	High	Low				
XP14-030-230	29,200	14.70	12.70	25,600	16,600	3.58	2.48	8.50	CX34-42	EL296UH045XE36B	5650679
XP14-030-230	29,000	14.70	12.70	25,600	16,600	3.56	2.48	8.20	CX34-42	EL296UH045XV36B	5562693
XP14-030-230	29,400	15.00	12.70	25,800	16,700	3.60	2.50	8.50	CX34-42	EL296UH070XE36B	5650670
XP14-030-230	29,000	15.20	13.00	25,400	16,400	3.58	2.50	8.50	CX34-42	EL296UH070XV36B	5562716
XP14-030-230	29,200	15.20	13.20	25,400	16,300	3.62	2.52	8.50	CX34-42	SL280UH090V36B	5532472
XP14-030-230	29,400	15.20	13.00	25,600	16,500	3.64	2.52	8.50	CX34-42	SL280UH090V48B	5431551
XP14-030-230	29,400	15.20	13.00	25,600	16,500	3.64	2.52	8.50	CX34-42	SL280UH090XV48B	8133211
XP14-030-230	29,200	15.00	13.00	25,600	16,500	3.60	2.50	8.50	CX34-42	SLP98UH070XV36B	5431642
XP14-030-230	30,400	15.70	13.70	25,600	16,400	3.66	2.54	8.70	CX34-43	EL180UH070E36B	5742053
XP14-030-230	30,600	16.00	13.50	25,800	16,500	3.72	2.56	8.50	CX34-43	EL180UH090E48B	5742374
XP14-030-230	30,400	15.50	13.20	25,800	16,700	3.62	2.52	8.50	CX34-43	EL195UH045XE36B	5431605
XP14-030-230	30,600	15.50	13.20	26,000	16,700	3.66	2.52	8.50	CX34-43	EL195UH070XE36B	5431582
XP14-030-230	30,800	15.70	13.50	26,000	16,700	3.70	2.56	8.70	CX34-43	EL195UH090XE48C	5431590
XP14-030-230	30,400	15.50	13.20	25,800	16,700	3.62	2.52	8.50	CX34-43	EL296UH045XE36B	5650673
XP14-030-230	30,200	15.50	13.20	25,800	16,600	3.62	2.50	8.50	CX34-43	EL296UH045XV36B	5562689
XP14-030-230	30,600	15.50	13.20	26,000	16,700	3.66	2.52	8.50	CX34-43	EL296UH070XE36B	5650642
XP14-030-230	30,200	15.70	13.50	25,600	16,500	3.64	2.54	8.50	CX34-43	EL296UH070XV36B	5562707
XP14-030-230	30,800	15.70	13.50	26,000	16,700	3.70	2.56	8.70	CX34-43	EL296UH090XE48C	5650643
XP14-030-230	30,400	16.00	13.50	25,600	16,400	3.70	2.56	8.50	CX34-43	EL296UH090XV36C	5562722
XP14-030-230	30,800	16.00	13.50	25,800	16,500	3.76	2.60	8.50	CX34-43	EL296UH090XV48C	5562730
XP14-030-230	30,400	16.00	13.50	25,600	16,400	3.68	2.56	8.50	CX34-43	SL280UH090V36B	5532477
XP14-030-230	30,600	15.70	13.50	25,800	16,600	3.70	2.56	8.70	CX34-43	SL280UH090V48B	5431557
XP14-030-230	30,600	15.70	13.50	25,800	16,600	3.70	2.56	8.70	CX34-43	SL280UH090XV48B	8133212
XP14-030-230	30,400	15.70	13.50	25,800	16,600	3.66	2.54	8.50	CX34-43	SLP98UH070XV36B	5431610
XP14-030-230	30,400	16.00	13.50	25,600	16,400	3.70	2.56	8.50	CX34-43	SLP98UH090XV36C	5431611
XP14-030-230	30,800	16.00	13.50	25,800	16,500	3.76	2.60	8.50	CX34-43	SLP98UH090XV48C	5431612
XP14-030-230	29,600	15.50	13.20	25,400	16,300	3.54	2.48	8.20	CX34-44/48	EL180UH070E36B	5742046
XP14-030-230	29,800	15.50	13.20	25,400	16,400	3.58	2.50	8.50	CX34-44/48	EL180UH090E48B	5742372
XP14-030-230	29,600	15.00	13.00	25,600	16,600	3.50	2.46	8.20	CX34-44/48	EL195UH045XE36B	5431606
XP14-030-230	30,000	15.00	13.00	25,800	16,600	3.56	2.46	8.20	CX34-44/48	EL195UH070XE36B	5431583
XP14-030-230	30,200	15.20	13.20	25,800	16,600	3.62	2.50	8.50	CX34-44/48	EL195UH090XE48C	5431591
XP14-030-230	29,600	15.00	13.00	25,600	16,600	3.50	2.46	8.20	CX34-44/48	EL296UH045XE36B	5650645
XP14-030-230	29,600	15.00	13.00	25,600	16,500	3.50	2.44	8.20	CX34-44/48	EL296UH045XV36B	5562685
XP14-030-230	30,000	15.00	13.00	25,800	16,600	3.56	2.46	8.20	CX34-44/48	EL296UH070XE36B	5650659
XP14-030-230	29,600	15.20	13.20	25,400	16,400	3.52	2.46	8.20	CX34-44/48	EL296UH070XV36B	5562702
XP14-030-230	30,200	15.20	13.20	25,800	16,600	3.62	2.50	8.50	CX34-44/48	EL296UH090XE48C	5650660
XP14-030-230	29,600	15.50	13.20	25,400	16,300	3.54	2.48	8.20	CX34-44/48	EL296UH090XV36C	5562720
XP14-030-230	30,000	15.50	13.20	25,600	16,500	3.60	2.50	8.50	CX34-44/48	EL296UH090XV48C	5562729
XP14-030-230	29,600	15.50	13.20	25,400	16,300	3.56	2.48	8.20	CX34-44/48	SL280UH090V36B	5532470
XP14-030-230	29,800	15.20	13.20	25,600	16,400	3.58	2.48	8.50	CX34-44/48	SL280UH090V48B	5431451
XP14-030-230	29,800	15.20	13.20	25,600	16,400	3.58	2.48	8.50	CX34-44/48	SL280UH090XV48B	8133201
XP14-030-230	29,600	15.20	13.00	25,600	16,500	3.54	2.48	8.20	CX34-44/48	SLP98UH070XV36B	5431616
XP14-030-230	29,600	15.50	13.20	25,400	16,300	3.54	2.48	8.20	CX34-44/48	SLP98UH090XV36C	5431635
XP14-030-230	30,000	15.20	13.20	25,800	16,600	3.62	2.50	8.50	CX38-31A	EL180UH045E36A	10086295
XP14-030-230	30,000	15.50	13.20	25,600	16,500	3.62	2.52	8.50	CX38-31A	SL280UH070V36A	10086159
XP14-030-230	30,000	15.50	13.20	25,600	16,500	3.62	2.52	8.50	CX38-31A	SL280UH070XV36A	10086318
XP14-030-230	30,000	15.70	13.50	25,600	16,400	3.64	2.52	8.50	CX38-31B	EL180UH070E36B	10086284

**NOTES:**

Ratings are AHRI certified to AHRI Standard 210/240 (with 25 ft. of connecting refrigerant lines);

- Cooling Ratings - 95°F outdoor air temperature and 80°F db/67°F wb entering indoor coil air.
- High Temperature Heating Ratings - 47°F db/43°F wb outdoor air temperature and 70°F db entering indoor coil air.
- Low Temperature Heating Ratings - 17°F db/15°F wb outdoor air temperature and 70°F db entering indoor coil air.

All ratings include the use of a blower time delay relay (TDR). All Lennox variable-speed Furnaces and Air Handlers have time delay capabilities. Other Furnaces and Air Handlers may require an optional time delay relay (**58M81**) for field installation. See furnace or air handler specifications to determine if relay is needed.

Also see TXV Substitution Table at the beginning of the Heat Pump AHRI System Matches section.

When used with gas furnaces, a dual-fuel control, a control system with dual-fuel capabilities (LZP-2 or LZP-4), or a thermostat with dual-fuel capabilities must be used (ordered extra).

To convert HSPF from Region IV to Region V - Divide by 1.15.

## AHRI SYSTEM MATCHES

Model No.	Cooling Capacity	SEER	EER	Heat Capacity		Heat COP		HSPF (IV)	Coil or Air Handler	Furnace	AHRI Reference
				High	Low	High	Low				
XP14-030-230	30,200	15.70	13.50	25,600	16,500	3.66	2.56	8.70	CX38-31B	EL180UH090E48B	10086302
XP14-030-230	30,000	15.20	13.20	25,800	16,700	3.60	2.50	8.50	CX38-31B	EL195UH045XE36B	10086105
XP14-030-230	30,200	15.20	13.20	25,800	16,700	3.60	2.50	8.50	CX38-31B	EL195UH070XE36B	10086132
XP14-030-230	30,000	15.20	13.20	25,800	16,700	3.60	2.50	8.50	CX38-31B	EL296UH045XE36B	10086264
XP14-030-230	29,800	15.20	13.00	25,600	16,600	3.56	2.50	8.50	CX38-31B	EL296UH045XV36B	10086193
XP14-030-230	30,200	15.20	13.20	25,800	16,700	3.60	2.50	8.50	CX38-31B	EL296UH070XE36B	10086265
XP14-030-230	29,800	15.50	13.20	25,600	16,500	3.60	2.52	8.50	CX38-31B	EL296UH070XV36B	10086183
XP14-030-230	30,000	15.70	13.50	25,400	16,400	3.62	2.54	8.50	CX38-31B	SL280UH090V36B	10086169
XP14-030-230	30,200	15.50	13.50	25,800	16,500	3.68	2.54	8.50	CX38-31B	SL280UH090V48B	10086090
XP14-030-230	30,200	15.50	13.50	25,800	16,500	3.68	2.54	8.50	CX38-31B	SL280UH090XV48B	10086336
XP14-030-230	30,000	15.20	13.20	25,600	16,600	3.62	2.52	8.50	CX38-31B	SLP98UH070XV36B	10086125
XP14-030-230	29,200	15.20	13.00	25,400	16,500	3.60	2.52	8.50	CX38-36A	SL280UH070V36A	10086155
XP14-030-230	29,200	15.20	13.00	25,400	16,500	3.60	2.52	8.50	CX38-36A	SL280UH070XV36A	10086322
XP14-030-230	29,200	15.20	13.20	25,400	16,400	3.62	2.52	8.50	CX38-36B	EL180UH070E36B	10086294
XP14-030-230	29,200	15.20	13.20	25,400	16,400	3.64	2.52	8.50	CX38-36B	EL180UH090E48B	10086304
XP14-030-230	29,200	14.70	12.70	25,600	16,600	3.58	2.48	8.50	CX38-36B	EL195UH045XE36B	10086122
XP14-030-230	29,400	15.00	12.70	25,800	16,700	3.60	2.50	8.50	CX38-36B	EL195UH070XE36B	10086144
XP14-030-230	29,200	14.70	12.70	25,600	16,600	3.58	2.48	8.50	CX38-36B	EL296UH045XE36B	10086254
XP14-030-230	29,000	14.70	12.70	25,600	16,600	3.56	2.48	8.20	CX38-36B	EL296UH045XV36B	10086208
XP14-030-230	29,400	15.00	12.70	25,800	16,700	3.60	2.50	8.50	CX38-36B	EL296UH070XE36B	10086244
XP14-030-230	29,000	15.20	13.00	25,400	16,400	3.58	2.50	8.50	CX38-36B	EL296UH070XV36B	10086219
XP14-030-230	29,200	15.20	13.20	25,400	16,300	3.62	2.52	8.50	CX38-36B	SL280UH090V36B	10086165
XP14-030-230	29,400	15.20	13.00	25,600	16,500	3.64	2.52	8.50	CX38-36B	SL280UH090V48B	10086094
XP14-030-230	29,400	15.20	13.00	25,600	16,500	3.64	2.52	8.50	CX38-36B	SL280UH090XV48B	10086337
XP14-030-230	29,200	15.00	13.00	25,600	16,500	3.60	2.50	8.50	CX38-36B	SLP98UH070XV36B	10086130
XP14-030-230	29,600	15.20	13.00	25,800	16,600	3.68	2.52	8.70	CX38-36C	EL195UH090XE48C	10086134
XP14-030-230	29,600	15.20	13.00	25,800	16,600	3.68	2.52	8.70	CX38-36C	EL296UH090XE48C	10086242
XP14-030-230	29,200	15.20	13.20	25,400	16,400	3.62	2.52	8.50	CX38-36C	EL296UH090XV36C	10086306
XP14-030-230	29,200	15.20	13.20	25,400	16,400	3.62	2.52	8.50	CX38-36C	SLP98UH090XV36C	10086128
XP14-030-230	29,600	15.20	13.20	25,600	16,600	3.66	2.54	8.70	CX38-36C	SLP98UH090XV48C	10086127
XP14-030-230	30,800	15.50	13.50	25,800	16,600	3.66	2.54	8.50	CX38-38A	EL180UH045E36A	10086296
XP14-030-230	30,800	15.70	13.50	25,600	16,500	3.68	2.54	8.70	CX38-38A	SL280UH070V36A	10086152
XP14-030-230	30,800	15.70	13.50	25,600	16,500	3.68	2.54	8.70	CX38-38A	SL280UH070XV36A	10086323
XP14-030-230	30,400	14.00	12.20	26,200	17,200	3.44	2.40	8.20	CX38-38A		10086055
XP14-030-230	30,800	15.70	13.70	25,600	16,400	3.70	2.54	8.70	CX38-38B	EL180UH070E36B	10086271
XP14-030-230	31,000	15.70	13.70	25,600	16,500	3.72	2.58	8.70	CX38-38B	EL180UH090E48B	10086298
XP14-030-230	30,800	15.20	13.20	25,800	16,700	3.64	2.54	8.50	CX38-38B	EL195UH045XE36B	10086146
XP14-030-230	30,600	15.50	13.20	25,600	16,500	3.70	2.54	8.50	CX38-38B	EL195UH070XE36B	10086139
XP14-030-230	30,800	15.20	13.20	25,800	16,700	3.64	2.54	8.50	CX38-38B	EL296UH045XE36B	10086259
XP14-030-230	30,800	15.20	13.20	25,800	16,600	3.64	2.52	8.50	CX38-38B	EL296UH045XV36B	10086212
XP14-030-230	30,600	15.50	13.20	25,600	16,500	3.70	2.54	8.50	CX38-38B	EL296UH070XE36B	10086258
XP14-030-230	30,600	15.70	13.50	25,600	16,500	3.66	2.54	8.50	CX38-38B	EL296UH070XV36B	10086213
XP14-030-230	30,800	15.70	13.70	25,400	16,400	3.68	2.56	8.70	CX38-38B	SL280UH090V36B	10086178
XP14-030-230	31,000	15.70	13.70	25,600	16,600	3.70	2.58	8.70	CX38-38B	SL280UH090V48B	10086092
XP14-030-230	31,000	15.70	13.70	25,600	16,600	3.70	2.58	8.70	CX38-38B	SL280UH090XV48B	10086338
XP14-030-230	30,600	15.70	13.50	25,600	16,500	3.66	2.54	8.50	CX38-38B	SLP98UH070XV36B	10086126
XP14-030-230	30,400	14.00	12.20	26,200	17,200	3.44	2.40	8.20	CX38-38B		10086056

### NOTES:

Ratings are AHRI certified to AHRI Standard 210/240 (with 25 ft. of connecting refrigerant lines);

- Cooling Ratings - 95°F outdoor air temperature and 80°F db/67°F wb entering indoor coil air.

- High Temperature Heating Ratings - 47°F db/43°F wb outdoor air temperature and 70°F db entering indoor coil air.

- Low Temperature Heating Ratings - 17°F db/15°F wb outdoor air temperature and 70°F db entering indoor coil air.

All ratings include the use of a blower time delay relay (TDR). All Lennox variable-speed Furnaces and Air Handlers have time delay capabilities. Other Furnaces and Air Handlers may require an optional time delay relay (**58M81**) for field installation. See furnace or air handler specifications to determine if relay is needed.

Also see TXV Substitution Table at the beginning of the Heat Pump AHRI System Matches section.

When used with gas furnaces, a dual-fuel control, a control system with dual-fuel capabilities (LZP-2 or LZP-4), or a thermostat with dual-fuel capabilities must be used (ordered extra).

To convert HSPF from Region IV to Region V - Divide by 1.15.



## AHRI SYSTEM MATCHES

Model No.	Cooling Capacity	SEER	EER	Heat Capacity		Heat High	COP Low	HSPF (IV)	Coil or Air Handler	Furnace	AHRI Reference
				High	Low						
XP14-030-230	29,200	15.20	13.20	25,400	16,400	3.62	2.52	8.50	CX38-42B	EL180UH070E36B	10086270
XP14-030-230	29,200	15.20	13.20	25,400	16,400	3.64	2.52	8.50	CX38-42B	EL180UH090E48B	10086305
XP14-030-230	29,200	14.70	12.70	25,600	16,600	3.58	2.48	8.50	CX38-42B	EL195UH045XE36B	10086140
XP14-030-230	29,400	15.00	12.70	25,800	16,700	3.60	2.50	8.50	CX38-42B	EL195UH070XE36B	10086133
XP14-030-230	29,200	14.70	12.70	25,600	16,600	3.58	2.48	8.50	CX38-42B	EL296UH045XE36B	10086245
XP14-030-230	29,000	14.70	12.70	25,600	16,600	3.56	2.48	8.20	CX38-42B	EL296UH045XV36B	10086181
XP14-030-230	29,400	15.00	12.70	25,800	16,700	3.60	2.50	8.50	CX38-42B	EL296UH070XE36B	10086262
XP14-030-230	29,000	15.20	13.00	25,400	16,400	3.58	2.50	8.50	CX38-42B	EL296UH070XV36B	10086222
XP14-030-230	29,200	15.20	13.20	25,400	16,300	3.62	2.52	8.50	CX38-42B	SL280UH090V36B	10086170
XP14-030-230	29,400	15.20	13.00	25,600	16,500	3.64	2.52	8.50	CX38-42B	SL280UH090V48B	10086095
XP14-030-230	29,400	15.20	13.00	25,600	16,500	3.64	2.52	8.50	CX38-42B	SL280UH090XV48B	10086339
XP14-030-230	29,200	15.00	13.00	25,600	16,500	3.60	2.50	8.50	CX38-42B	SLP98UH070XV36B	10086129
XP14-030-230	30,400	15.70	13.70	25,600	16,400	3.66	2.54	8.70	CX38-43B	EL180UH070E36B	10086277
XP14-030-230	30,600	16.00	13.50	25,800	16,500	3.72	2.56	8.50	CX38-43B	EL180UH090E48B	10086726
XP14-030-230	30,400	15.50	13.20	25,800	16,700	3.62	2.52	8.50	CX38-43B	EL195UH045XE36B	10086135
XP14-030-230	30,600	15.50	13.20	26,000	16,700	3.66	2.52	8.50	CX38-43B	EL195UH070XE36B	10086098
XP14-030-230	30,400	15.50	13.20	25,800	16,700	3.62	2.52	8.50	CX38-43B	EL296UH045XE36B	10086266
XP14-030-230	30,200	15.50	13.20	25,800	16,600	3.62	2.50	8.50	CX38-43B	EL296UH045XV36B	10086200
XP14-030-230	30,600	15.50	13.20	26,000	16,700	3.66	2.52	8.50	CX38-43B	EL296UH070XE36B	10086247
XP14-030-230	30,200	15.70	13.50	25,600	16,500	3.64	2.54	8.50	CX38-43B	EL296UH070XV36B	10086216
XP14-030-230	30,400	16.00	13.50	25,600	16,400	3.68	2.56	8.50	CX38-43B	SL280UH090V36B	10086173
XP14-030-230	30,600	15.70	13.50	25,800	16,600	3.70	2.56	8.70	CX38-43B	SL280UH090V48B	10086107
XP14-030-230	30,600	15.70	13.50	25,800	16,600	3.70	2.56	8.70	CX38-43B	SL280UH090XV48B	10086340
XP14-030-230	30,400	15.70	13.50	25,800	16,600	3.66	2.54	8.50	CX38-43B	SLP98UH070XV36B	10086123
XP14-030-230	30,800	15.70	13.50	26,000	16,700	3.70	2.56	8.70	CX38-43C	EL195UH090XE48C	10086099
XP14-030-230	30,800	15.70	13.50	26,000	16,700	3.70	2.56	8.70	CX38-43C	EL296UH090XE48C	10086248
XP14-030-230	30,400	16.00	13.50	25,600	16,400	3.70	2.56	8.50	CX38-43C	EL296UH090XV36C	10086225
XP14-030-230	30,800	16.00	13.50	25,800	16,500	3.76	2.60	8.50	CX38-43C	EL296UH090XV48C	10086226
XP14-030-230	30,400	16.00	13.50	25,600	16,400	3.70	2.56	8.50	CX38-43C	SLP98UH090XV36C	10086147
XP14-030-230	30,800	16.00	13.50	25,800	16,500	3.76	2.60	8.50	CX38-43C	SLP98UH090XV48C	10086141
XP14-030-230	29,600	15.50	13.20	25,400	16,300	3.54	2.48	8.20	CX38-44/48B	EL180UH070E36B	10086281
XP14-030-230	29,800	15.50	13.20	25,400	16,400	3.58	2.50	8.50	CX38-44/48B	EL180UH090E48B	10086267
XP14-030-230	29,600	15.00	13.00	25,600	16,600	3.50	2.46	8.20	CX38-44/48B	EL195UH045XE36B	10086100
XP14-030-230	30,000	15.00	13.00	25,800	16,600	3.56	2.46	8.20	CX38-44/48B	EL195UH070XE36B	10086115
XP14-030-230	29,600	15.00	13.00	25,600	16,600	3.50	2.46	8.20	CX38-44/48B	EL296UH045XE36B	10086260
XP14-030-230	29,600	15.00	13.00	25,600	16,500	3.50	2.44	8.20	CX38-44/48B	EL296UH045XV36B	10086186
XP14-030-230	30,000	15.00	13.00	25,800	16,600	3.56	2.46	8.20	CX38-44/48B	EL296UH070XE36B	10086253
XP14-030-230	29,600	15.20	13.20	25,400	16,400	3.52	2.46	8.20	CX38-44/48B	EL296UH070XV36B	10086199
XP14-030-230	29,600	15.50	13.20	25,400	16,300	3.56	2.48	8.20	CX38-44/48B	SL280UH090V36B	10086167
XP14-030-230	29,800	15.20	13.20	25,600	16,400	3.58	2.48	8.50	CX38-44/48B	SL280UH090V48B	10086088
XP14-030-230	29,800	15.20	13.20	25,600	16,400	3.58	2.48	8.50	CX38-44/48B	SL280UH090XV48B	10086332
XP14-030-230	29,600	15.20	13.00	25,600	16,500	3.54	2.48	8.20	CX38-44/48B	SLP98UH070XV36B	10086111
XP14-030-230	30,200	15.20	13.20	25,800	16,600	3.62	2.50	8.50	CX38-44/48C	EL195UH090XE48C	10086116
XP14-030-230	30,200	15.20	13.20	25,800	16,600	3.62	2.50	8.50	CX38-44/48C	EL296UH090XE48C	10086256
XP14-030-230	29,600	15.50	13.20	25,400	16,300	3.54	2.48	8.20	CX38-44/48C	EL296UH090XV36C	10086214
XP14-030-230	30,000	15.50	13.20	25,600	16,500	3.60	2.50	8.50	CX38-44/48C	EL296UH090XV48C	10086223
XP14-030-230	29,600	15.50	13.20	25,400	16,300	3.54	2.48	8.20	CX38-44/48C	SLP98UH090XV36C	10086149

**NOTES:**

Ratings are AHRI certified to AHRI Standard 210/240 (with 25 ft. of connecting refrigerant lines);

- Cooling Ratings - 95°F outdoor air temperature and 80°F db/67°F wb entering indoor coil air.
- High Temperature Heating Ratings - 47°F db/43°F wb outdoor air temperature and 70°F db entering indoor coil air.
- Low Temperature Heating Ratings - 17°F db/15°F wb outdoor air temperature and 70°F db entering indoor coil air.

All ratings include the use of a blower time delay relay (TDR). All Lennox variable-speed Furnaces and Air Handlers have time delay capabilities. Other Furnaces and Air Handlers may require an optional time delay relay (**58M81**) for field installation. See furnace or air handler specifications to determine if relay is needed.

Also see TXV Substitution Table at the beginning of the Heat Pump AHRI System Matches section.

When used with gas furnaces, a dual-fuel control, a control system with dual-fuel capabilities (LZP-2 or LZP-4), or a thermostat with dual-fuel capabilities must be used (ordered extra).

To convert HSPF from Region IV to Region V - Divide by 1.15.

## AHRI SYSTEM MATCHES

Model No.	Cooling Capacity	SEER	EER	Heat Capacity		Heat COP		HSPF (IV)	Coil or Air Handler	Furnace	AHRI Reference
				High	Low	High	Low				
XP14-036-230	34,200	15.00	12.50	32,800	20,800	3.44	2.40	8.20	C33-38	EL180UH045E36A	5741773
XP14-036-230	34,200	15.70	13.00	32,400	20,400	3.48	2.44	8.50	C33-38	EL180UH070E36B	5742064
XP14-036-230	34,600	15.50	13.00	32,600	20,600	3.52	2.46	8.50	C33-38	EL180UH090E48B	5742386
XP14-036-230	33,800	15.00	12.50	32,600	20,600	3.36	2.38	8.20	C33-38	EL195UH045XE36B	5432185
XP14-036-230	34,000	15.20	12.50	32,600	20,800	3.42	2.42	8.20	C33-38	EL195UH070XE36B	5432193
XP14-036-230	33,800	15.00	12.50	32,600	20,600	3.36	2.38	8.20	C33-38	EL296UH045XE36B	5650736
XP14-036-230	34,200	15.00	12.50	32,800	20,800	3.44	2.40	8.20	C33-38	EL296UH045XV36B	5562742
XP14-036-230	34,000	15.20	12.50	32,600	20,800	3.42	2.42	8.20	C33-38	EL296UH070XE36B	5650749
XP14-036-230	34,200	15.00	12.50	32,800	20,800	3.44	2.40	8.20	C33-38	EL296UH070XV36B	5562750
XP14-036-230	34,200	15.00	12.50	32,800	20,800	3.42	2.40	8.20	C33-38	SL280UH070V36A	5532383
XP14-036-230	34,200	15.00	12.50	32,800	20,800	3.42	2.40	8.20	C33-38	SL280UH070XV36A	8133188
XP14-036-230	34,400	15.70	13.00	32,600	20,600	3.50	2.46	8.20	C33-38	SL280UH090V36B	5532479
XP14-036-230	34,400	15.50	13.00	32,600	20,600	3.50	2.44	8.20	C33-38	SL280UH090V48B	5431983
XP14-036-230	34,400	15.50	13.00	32,600	20,600	3.50	2.44	8.20	C33-38	SL280UH090XV48B	8133214
XP14-036-230	34,200	15.00	12.50	32,800	20,800	3.44	2.40	8.20	C33-38	SLP98UH070XV36B	5432205
XP14-036-230	35,200	15.70	13.20	32,400	20,200	3.46	2.50	8.50	C33-43	EL180UH070E36B	5742065
XP14-036-230	35,600	15.70	13.20	32,600	20,400	3.52	2.50	8.20	C33-43	EL180UH090E48B	5742385
XP14-036-230	35,600	15.70	13.20	32,600	20,200	3.52	2.50	8.20	C33-43	EL180UH090E60C	5740234
XP14-036-230	35,200	15.70	13.20	32,400	20,200	3.48	2.50	8.50	C33-43	EL180UH110E60C	5740695
XP14-036-230	34,800	15.00	12.70	32,400	20,400	3.34	2.42	8.20	C33-43	EL195UH045XE36B	5432186
XP14-036-230	35,000	15.20	12.70	32,600	20,400	3.40	2.44	8.20	C33-43	EL195UH070XE36B	5432194
XP14-036-230	35,200	15.50	13.20	32,600	20,400	3.48	2.48	8.20	C33-43	EL195UH090XE48C	5432164
XP14-036-230	35,600	15.70	13.20	32,600	20,400	3.52	2.50	8.20	C33-43	EL195UH110XE60C	5432175
XP14-036-230	34,800	15.00	12.70	32,400	20,400	3.34	2.42	8.20	C33-43	EL296UH045XE36B	5650758
XP14-036-230	35,200	15.00	12.70	32,800	20,600	3.42	2.46	8.20	C33-43	EL296UH045XV36B	5562737
XP14-036-230	35,000	15.20	12.70	32,600	20,400	3.40	2.44	8.20	C33-43	EL296UH070XE36B	5650759
XP14-036-230	35,200	15.00	12.70	32,800	20,600	3.42	2.44	8.20	C33-43	EL296UH070XV36B	5562747
XP14-036-230	35,200	15.50	13.20	32,600	20,400	3.48	2.48	8.20	C33-43	EL296UH090XE48C	5650742
XP14-036-230	35,400	15.50	13.20	32,600	20,400	3.46	2.50	8.20	C33-43	EL296UH090XV36C	5562754
XP14-036-230	35,000	15.50	13.20	32,400	20,200	3.46	2.48	8.50	C33-43	EL296UH090XV48C	5562774
XP14-036-230	35,800	15.50	13.20	32,800	20,600	3.52	2.50	8.50	C33-43	EL296UH090XV60C	5562777
XP14-036-230	35,600	15.70	13.20	32,600	20,400	3.52	2.50	8.20	C33-43	EL296UH110XE60C	5650746
XP14-036-230	35,400	15.70	13.20	32,400	20,200	3.48	2.48	8.50	C33-43	EL296UH110XV48C	5562792
XP14-036-230	35,600	15.70	13.20	32,600	20,400	3.52	2.52	8.50	C33-43	EL296UH110XV60C	5562801
XP14-036-230	35,400	15.70	13.20	32,400	20,200	3.48	2.48	8.50	C33-43	SL280UH090V36B	5532482
XP14-036-230	35,400	15.70	13.20	32,400	20,200	3.46	2.48	8.50	C33-43	SL280UH090V48B	5431993
XP14-036-230	35,800	15.10	13.00	32,600	20,400	3.54	2.52	8.20	C33-43	SL280UH090V60C	5431975
XP14-036-230	35,400	15.70	13.20	32,400	20,200	3.46	2.48	8.50	C33-43	SL280UH090XV48B	8133216
XP14-036-230	35,800	15.10	13.00	32,600	20,400	3.54	2.52	8.20	C33-43	SL280UH090XV60C	8133224
XP14-036-230	35,600	15.10	13.00	32,600	20,400	3.50	2.48	8.20	C33-43	SL280UH110V60C	5431976
XP14-036-230	35,600	15.10	13.00	32,600	20,400	3.50	2.48	8.20	C33-43	SL280UH110XV60C	8133251
XP14-036-230	35,200	15.00	12.70	32,800	20,600	3.42	2.44	8.20	C33-43	SLP98UH070XV36B	5432207
XP14-036-230	35,400	15.50	13.20	32,600	20,400	3.46	2.50	8.20	C33-43	SLP98UH090XV36C	5432201
XP14-036-230	35,000	15.50	13.20	32,400	20,200	3.46	2.48	8.50	C33-43	SLP98UH090XV48C	5432202
XP14-036-230	35,800	15.50	13.20	32,800	20,600	3.52	2.50	8.50	C33-43	SLP98UH090XV60C	5432203
XP14-036-230	35,600	15.70	13.20	32,600	20,400	3.52	2.52	8.50	C33-43	SLP98UH110XV60C	5432204
XP14-036-230	33,800	15.50	13.00	32,200	20,400	3.36	2.38	8.20	C33-48	EL180UH070E36B	5742066

### NOTES:

Ratings are AHRI certified to AHRI Standard 210/240 (with 25 ft. of connecting refrigerant lines);

- Cooling Ratings - 95°F outdoor air temperature and 80°F db/67°F wb entering indoor coil air.

- High Temperature Heating Ratings - 47°F db/43°F wb outdoor air temperature and 70°F db entering indoor coil air.

- Low Temperature Heating Ratings - 17°F db/15°F wb outdoor air temperature and 70°F db entering indoor coil air.

All ratings include the use of a blower time delay relay (TDR). All Lennox variable-speed Furnaces and Air Handlers have time delay capabilities. Other Furnaces and Air Handlers may require an optional time delay relay (**58M81**) for field installation. See furnace or air handler specifications to determine if relay is needed.

Also see TXV Substitution Table at the beginning of the Heat Pump AHRI System Matches section.

When used with gas furnaces, a dual-fuel control, a control system with dual-fuel capabilities (LZP-2 or LZP-4), or a thermostat with dual-fuel capabilities must be used (ordered extra).

To convert HSPF from Region IV to Region V - Divide by 1.15.

## AHRI SYSTEM MATCHES

Model No.	Cooling Capacity	SEER	EER	Heat Capacity		Heat High	COP Low	HSPF (IV)	Coil or Air Handler	Furnace	AHRI Reference
				High	Low						
XP14-036-230	34,200	15.50	12.70	32,400	20,600	3.40	2.40	8.20	C33-48	EL180UH090E48B	5742383
XP14-036-230	34,200	15.50	13.00	32,400	20,400	3.40	2.38	8.20	C33-48	EL180UH090E60C	5740239
XP14-036-230	34,000	15.50	13.00	32,200	20,400	3.36	2.38	8.20	C33-48	EL180UH110E60C	5740692
XP14-036-230	34,000	15.20	12.70	32,400	20,600	3.36	2.38	8.20	C33-48	EL195UH090XE48C	5432165
XP14-036-230	34,200	15.50	12.70	32,400	20,600	3.40	2.40	8.20	C33-48	EL195UH110XE60C	5432176
XP14-036-230	34,000	15.20	12.70	32,400	20,600	3.36	2.38	8.20	C33-48	EL296UH090XE48C	5650738
XP14-036-230	34,000	15.20	12.70	32,400	20,600	3.36	2.38	8.20	C33-48	EL296UH090XV36C	5562755
XP14-036-230	34,000	15.50	12.70	32,200	20,400	3.34	2.36	8.20	C33-48	EL296UH090XV48C	5562765
XP14-036-230	34,400	15.20	12.70	32,600	20,800	3.42	2.40	8.20	C33-48	EL296UH090XV60C	5562788
XP14-036-230	34,200	15.50	12.70	32,400	20,600	3.40	2.40	8.20	C33-48	EL296UH110XE60C	5650731
XP14-036-230	34,200	15.50	13.00	32,200	20,400	3.38	2.38	8.20	C33-48	EL296UH110XV48C	5562789
XP14-036-230	34,400	15.50	13.00	32,400	20,600	3.42	2.40	8.20	C33-48	EL296UH110XV60C	5562802
XP14-036-230	34,000	15.50	12.70	32,200	20,400	3.36	2.38	8.20	C33-48	SL280UH090V36B	5532480
XP14-036-230	34,000	15.20	12.70	32,200	20,400	3.36	2.36	8.20	C33-48	SL280UH090V48B	5431987
XP14-036-230	34,400	15.10	12.50	32,400	20,600	3.42	2.40	8.20	C33-48	SL280UH090V60C	5432151
XP14-036-230	34,000	15.20	12.70	32,200	20,400	3.36	2.36	8.20	C33-48	SL280UH090XV48B	8133215
XP14-036-230	34,400	15.10	12.50	32,400	20,600	3.42	2.40	8.20	C33-48	SL280UH090XV60C	8133234
XP14-036-230	34,200	15.10	12.50	32,400	20,600	3.38	2.38	8.20	C33-48	SL280UH110V60C	5432005
XP14-036-230	34,200	15.10	12.50	32,400	20,600	3.38	2.38	8.20	C33-48	SL280UH110XV60C	8133252
XP14-036-230	34,000	15.20	12.70	32,400	20,600	3.36	2.38	8.20	C33-48	SLP98UH090XV36C	5432208
XP14-036-230	34,000	15.50	12.70	32,200	20,400	3.34	2.36	8.20	C33-48	SLP98UH090XV48C	5432209
XP14-036-230	34,400	15.20	12.70	32,600	20,800	3.42	2.40	8.20	C33-48	SLP98UH090XV60C	5432262
XP14-036-230	34,400	15.50	13.00	32,400	20,600	3.42	2.40	8.20	C33-48	SLP98UH110XV60C	5432210
XP14-036-230	35,200	15.70	13.20	31,600	20,400	3.64	2.52	8.70	C33-49	EL180UH090E60C	5740240
XP14-036-230	34,800	15.70	13.20	31,400	20,200	3.62	2.50	8.70	C33-49	EL180UH110E60C	5740693
XP14-036-230	34,800	15.50	13.00	31,400	20,400	3.58	2.50	8.70	C33-49	EL195UH090XE48C	5432166
XP14-036-230	35,200	15.70	13.20	31,600	20,400	3.64	2.52	8.70	C33-49	EL195UH110XE60C	5432177
XP14-036-230	34,800	15.50	13.00	31,400	20,400	3.58	2.50	8.70	C33-49	EL296UH090XE48C	5650768
XP14-036-230	35,000	15.50	13.20	31,600	20,400	3.60	2.50	8.70	C33-49	EL296UH090XV36C	5562753
XP14-036-230	34,800	15.70	13.20	31,400	20,200	3.58	2.48	8.70	C33-49	EL296UH090XV48C	5562767
XP14-036-230	35,400	15.50	13.00	31,800	20,600	3.64	2.52	8.70	C33-49	EL296UH090XV60C	5562778
XP14-036-230	35,200	15.70	13.20	31,600	20,400	3.64	2.52	8.70	C33-49	EL296UH110XE60C	5650735
XP14-036-230	35,000	15.70	13.20	31,400	20,200	3.60	2.50	8.70	C33-49	EL296UH110XV48C	5562790
XP14-036-230	35,200	15.70	13.20	31,600	20,400	3.64	2.52	8.70	C33-49	EL296UH110XV60C	5562803
XP14-036-230	35,400	15.10	13.00	31,600	20,400	3.66	2.52	8.50	C33-49	SL280UH090V60C	5432013
XP14-036-230	35,400	15.10	13.00	31,600	20,400	3.66	2.52	8.50	C33-49	SL280UH090XV60C	8133225
XP14-036-230	35,200	15.10	13.00	31,600	20,400	3.62	2.50	8.50	C33-49	SL280UH110V60C	5432014
XP14-036-230	35,200	15.10	13.00	31,600	20,400	3.62	2.50	8.50	C33-49	SL280UH110XV60C	8133253
XP14-036-230	35,000	15.50	13.20	31,600	20,400	3.60	2.50	8.70	C33-49	SLP98UH090XV36C	5432211
XP14-036-230	34,800	15.70	13.20	31,400	20,200	3.58	2.48	8.70	C33-49	SLP98UH090XV48C	5432212
XP14-036-230	35,400	15.50	13.00	31,800	20,600	3.64	2.52	8.70	C33-49	SLP98UH090XV60C	5432213
XP14-036-230	35,200	15.70	13.20	31,600	20,400	3.64	2.52	8.70	C33-49	SLP98UH110XV60C	5432214
XP14-036-230	34,400	14.20	12.00	32,200	21,000	3.40	2.36	8.20	C33-49		5431957
XP14-036-230	34,600	15.50	13.00	31,400	20,200	3.60	2.50	8.70	C33-50/60C	EL180UH090E60C	5740241
XP14-036-230	34,200	15.50	13.00	31,200	20,200	3.56	2.50	8.70	C33-50/60C	EL180UH110E60C	5740694
XP14-036-230	34,200	15.20	12.70	31,400	20,400	3.56	2.50	8.70	C33-50/60C	EL195UH090XE48C	5432167
XP14-036-230	34,600	15.50	13.00	31,600	20,400	3.60	2.50	8.70	C33-50/60C	EL195UH110XE60C	5432178

**NOTES:**

Ratings are AHRI certified to AHRI Standard 210/240 (with 25 ft. of connecting refrigerant lines);

- Cooling Ratings - 95°F outdoor air temperature and 80°F db/67°F wb entering indoor coil air.
- High Temperature Heating Ratings - 47°F db/43°F wb outdoor air temperature and 70°F db entering indoor coil air.
- Low Temperature Heating Ratings - 17°F db/15°F wb outdoor air temperature and 70°F db entering indoor coil air.

All ratings include the use of a blower time delay relay (TDR). All Lennox variable-speed Furnaces and Air Handlers have time delay capabilities. Other Furnaces and Air Handlers may require an optional time delay relay (**58M81**) for field installation. See furnace or air handler specifications to determine if relay is needed.

Also see TXV Substitution Table at the beginning of the Heat Pump AHRI System Matches section.

When used with gas furnaces, a dual-fuel control, a control system with dual-fuel capabilities (LZP-2 or LZP-4), or a thermostat with dual-fuel capabilities must be used (ordered extra).

To convert HSPF from Region IV to Region V - Divide by 1.15.

## AHRI SYSTEM MATCHES

Model No.	Cooling Capacity	SEER	EER	Heat Capacity		Heat COP		HSPF (IV)	Coil or Air Handler	Furnace	AHRI Reference
				High	Low	High	Low				
XP14-036-230	34,200	15.20	12.70	31,400	20,400	3.56	2.50	8.70	C33-50/60C	EL296UH090XE48C	5650745
XP14-036-230	34,400	15.20	12.70	31,400	20,400	3.56	2.50	8.70	C33-50/60C	EL296UH090XV36C	5562756
XP14-036-230	34,200	15.20	13.00	31,200	20,200	3.54	2.48	8.70	C33-50/60C	EL296UH090XV48C	5562766
XP14-036-230	34,800	15.20	12.70	31,800	20,600	3.60	2.50	8.70	C33-50/60C	EL296UH090XV60C	5562784
XP14-036-230	34,600	15.50	13.00	31,600	20,400	3.60	2.50	8.70	C33-50/60C	EL296UH110XE60C	5650752
XP14-036-230	34,400	15.50	13.00	31,400	20,200	3.58	2.50	8.70	C33-50/60C	EL296UH110XV48C	5562791
XP14-036-230	34,600	15.50	13.00	31,600	20,400	3.62	2.52	8.70	C33-50/60C	EL296UH110XV60C	5562804
XP14-036-230	34,800	15.10	12.50	31,600	20,400	3.64	2.52	8.50	C33-50/60C	SL280UH090V60C	5432021
XP14-036-230	34,800	15.10	12.50	31,600	20,400	3.64	2.52	8.50	C33-50/60C	SL280UH090XV60C	8133226
XP14-036-230	34,600	15.10	12.50	31,600	20,400	3.58	2.50	8.50	C33-50/60C	SL280UH110V60C	5432022
XP14-036-230	34,600	15.10	12.50	31,600	20,400	3.58	2.50	8.50	C33-50/60C	SL280UH110XV60C	8133254
XP14-036-230	34,400	15.20	12.70	31,400	20,400	3.56	2.50	8.70	C33-50/60C	SLP98UH090XV36C	5432215
XP14-036-230	34,200	15.20	13.00	31,200	20,200	3.54	2.48	8.70	C33-50/60C	SLP98UH090XV48C	5432216
XP14-036-230	34,800	15.20	12.70	31,800	20,600	3.60	2.50	8.70	C33-50/60C	SLP98UH090XV60C	5432263
XP14-036-230	34,600	15.50	13.00	31,600	20,400	3.62	2.52	8.70	C33-50/60C	SLP98UH110XV60C	5432217
XP14-036-230	33,800	14.00	11.70	32,000	21,000	3.34	2.36	8.20	C33-50/60C		5431958
XP14-036-230	34,200	15.00	12.50	32,800	20,800	3.44	2.40	8.20	C37-38A	EL180UH045E36A	10084750
XP14-036-230	34,200	15.00	12.50	32,800	20,800	3.42	2.40	8.20	C37-38A	SL280UH070V36A	10084501
XP14-036-230	34,200	15.00	12.50	32,800	20,800	3.42	2.40	8.20	C37-38A	SL280UH070XV36A	10085013
XP14-036-230	34,200	15.70	13.00	32,400	20,400	3.48	2.44	8.50	C37-38B	EL180UH070E36B	10084739
XP14-036-230	34,600	15.50	13.00	32,600	20,600	3.52	2.46	8.50	C37-38B	EL180UH090E48B	10084734
XP14-036-230	33,800	15.00	12.50	32,600	20,600	3.36	2.38	8.20	C37-38B	EL195UH045XE36B	10084360
XP14-036-230	34,000	15.20	12.50	32,600	20,800	3.42	2.42	8.20	C37-38B	EL195UH070XE36B	10084379
XP14-036-230	33,800	15.00	12.50	32,600	20,600	3.36	2.38	8.20	C37-38B	EL296UH045XE36B	10084602
XP14-036-230	34,200	15.00	12.50	32,800	20,800	3.44	2.40	8.20	C37-38B	EL296UH045XV36B	10084553
XP14-036-230	34,000	15.20	12.50	32,600	20,800	3.42	2.42	8.20	C37-38B	EL296UH070XE36B	10084620
XP14-036-230	34,200	15.00	12.50	32,800	20,800	3.44	2.40	8.20	C37-38B	EL296UH070XV36B	10084554
XP14-036-230	34,400	15.70	13.00	32,600	20,600	3.50	2.46	8.20	C37-38B	SL280UH090V36B	10084503
XP14-036-230	34,400	15.50	13.00	32,600	20,600	3.50	2.44	8.20	C37-38B	SL280UH090V48B	10084350
XP14-036-230	34,400	15.50	13.00	32,600	20,600	3.50	2.44	8.20	C37-38B	SL280UH090XV48B	10085015
XP14-036-230	34,200	15.00	12.50	32,800	20,800	3.44	2.40	8.20	C37-38B	SLP98UH070XV36B	10084416
XP14-036-230	35,200	15.70	13.20	32,400	20,200	3.46	2.50	8.50	C37-43B	EL180UH070E36B	10084744
XP14-036-230	35,600	15.70	13.20	32,600	20,400	3.52	2.50	8.20	C37-43B	EL180UH090E48B	10084728
XP14-036-230	34,800	15.00	12.70	32,400	20,400	3.34	2.42	8.20	C37-43B	EL195UH045XE36B	10084398
XP14-036-230	35,000	15.20	12.70	32,600	20,400	3.40	2.44	8.20	C37-43B	EL195UH070XE36B	10084399
XP14-036-230	34,800	15.00	12.70	32,400	20,400	3.34	2.42	8.20	C37-43B	EL296UH045XE36B	10084623
XP14-036-230	35,200	15.00	12.70	32,800	20,600	3.42	2.46	8.20	C37-43B	EL296UH045XV36B	10084577
XP14-036-230	35,000	15.20	12.70	32,600	20,400	3.40	2.44	8.20	C37-43B	EL296UH070XE36B	10084624
XP14-036-230	35,200	15.00	12.70	32,800	20,600	3.42	2.44	8.20	C37-43B	EL296UH070XV36B	10084585
XP14-036-230	35,400	15.70	13.20	32,400	20,200	3.48	2.48	8.50	C37-43B	SL280UH090V36B	10084508
XP14-036-230	35,400	15.70	13.20	32,400	20,200	3.46	2.48	8.50	C37-43B	SL280UH090V48B	10084347
XP14-036-230	35,400	15.70	13.20	32,400	20,200	3.46	2.48	8.50	C37-43B	SL280UH090XV48B	10085017
XP14-036-230	35,200	15.00	12.70	32,800	20,600	3.42	2.44	8.20	C37-43B	SLP98UH070XV36B	10084390
XP14-036-230	35,600	15.70	13.20	32,600	20,200	3.52	2.50	8.20	C37-43C	EL180UH090E60C	10084699
XP14-036-230	35,200	15.70	13.20	32,400	20,200	3.48	2.50	8.50	C37-43C	EL180UH110E60C	10084706
XP14-036-230	35,200	15.50	13.20	32,600	20,400	3.48	2.48	8.20	C37-43C	EL195UH090XE48C	10084368
XP14-036-230	35,600	15.70	13.20	32,600	20,400	3.52	2.50	8.20	C37-43C	EL195UH110XE60C	10084372

### NOTES:

Ratings are AHRI certified to AHRI Standard 210/240 (with 25 ft. of connecting refrigerant lines);

- Cooling Ratings - 95°F outdoor air temperature and 80°F db/67°F wb entering indoor coil air.

- High Temperature Heating Ratings - 47°F db/43°F wb outdoor air temperature and 70°F db entering indoor coil air.

- Low Temperature Heating Ratings - 17°F db/15°F wb outdoor air temperature and 70°F db entering indoor coil air.

All ratings include the use of a blower time delay relay (TDR). All Lennox variable-speed Furnaces and Air Handlers have time delay capabilities. Other Furnaces and Air Handlers may require an optional time delay relay (**58M81**) for field installation. See furnace or air handler specifications to determine if relay is needed.

Also see TXV Substitution Table at the beginning of the Heat Pump AHRI System Matches section.

When used with gas furnaces, a dual-fuel control, a control system with dual-fuel capabilities (LZP-2 or LZP-4), or a thermostat with dual-fuel capabilities must be used (ordered extra).

To convert HSPF from Region IV to Region V - Divide by 1.15.

## AHRI SYSTEM MATCHES

Model No.	Cooling Capacity	SEER	EER	Heat Capacity		Heat High	COP Low	HSPF (IV)	Coil or Air Handler	Furnace	AHRI Reference
				High	Low						
XP14-036-230	35,200	15.50	13.20	32,600	20,400	3.48	2.48	8.20	C37-43C	EL296UH090XE48C	10084616
XP14-036-230	35,400	15.50	13.20	32,600	20,400	3.46	2.50	8.20	C37-43C	EL296UH090XV36C	10084586
XP14-036-230	35,000	15.50	13.20	32,400	20,200	3.46	2.48	8.50	C37-43C	EL296UH090XV48C	10084524
XP14-036-230	35,800	15.50	13.20	32,800	20,600	3.52	2.50	8.50	C37-43C	EL296UH090XV60C	10084521
XP14-036-230	35,600	15.70	13.20	32,600	20,400	3.52	2.50	8.20	C37-43C	EL296UH110XE60C	10084612
XP14-036-230	35,400	15.70	13.20	32,400	20,200	3.48	2.48	8.50	C37-43C	EL296UH110XV48C	10084533
XP14-036-230	35,600	15.70	13.20	32,600	20,400	3.52	2.52	8.50	C37-43C	EL296UH110XV60C	10084545
XP14-036-230	35,800	15.10	13.00	32,600	20,400	3.54	2.52	8.20	C37-43C	SL280UH090V60C	10084349
XP14-036-230	35,800	15.10	13.00	32,600	20,400	3.54	2.52	8.20	C37-43C	SL280UH090XV60C	10085021
XP14-036-230	35,600	15.10	13.00	32,600	20,400	3.50	2.48	8.20	C37-43C	SL280UH110V60C	10084348
XP14-036-230	35,600	15.10	13.00	32,600	20,400	3.50	2.48	8.20	C37-43C	SL280UH110XV60C	10085036
XP14-036-230	35,400	15.50	13.20	32,600	20,400	3.46	2.50	8.20	C37-43C	SLP98UH090XV36C	10084380
XP14-036-230	35,000	15.50	13.20	32,400	20,200	3.46	2.48	8.50	C37-43C	SLP98UH090XV48C	10084400
XP14-036-230	35,800	15.50	13.20	32,800	20,600	3.52	2.50	8.50	C37-43C	SLP98UH090XV60C	10084410
XP14-036-230	35,600	15.70	13.20	32,600	20,400	3.52	2.52	8.50	C37-43C	SLP98UH110XV60C	10084396
XP14-036-230	33,800	15.50	13.00	32,200	20,400	3.36	2.38	8.20	C37-48B	EL180UH070E36B	10084741
XP14-036-230	34,200	15.50	12.70	32,400	20,600	3.40	2.40	8.20	C37-48B	EL180UH090E48B	10084731
XP14-036-230	34,000	15.50	12.70	32,200	20,400	3.36	2.38	8.20	C37-48B	SL280UH090V36B	10084504
XP14-036-230	34,000	15.20	12.70	32,200	20,400	3.36	2.36	8.20	C37-48B	SL280UH090V48B	10084373
XP14-036-230	34,000	15.20	12.70	32,200	20,400	3.36	2.36	8.20	C37-48B	SL280UH090XV48B	10085016
XP14-036-230	34,200	15.50	13.00	32,400	20,400	3.40	2.38	8.20	C37-48C	EL180UH090E60C	10084684
XP14-036-230	34,000	15.50	13.00	32,200	20,400	3.36	2.38	8.20	C37-48C	EL180UH110E60C	10084709
XP14-036-230	34,000	15.20	12.70	32,400	20,600	3.36	2.38	8.20	C37-48C	EL195UH090XE48C	10084363
XP14-036-230	34,200	15.50	12.70	32,400	20,600	3.40	2.40	8.20	C37-48C	EL195UH110XE60C	10084357
XP14-036-230	34,000	15.20	12.70	32,400	20,600	3.36	2.38	8.20	C37-48C	EL296UH090XE48C	10084611
XP14-036-230	34,000	15.20	12.70	32,400	20,600	3.36	2.38	8.20	C37-48C	EL296UH090XV36C	10084556
XP14-036-230	34,000	15.50	12.70	32,200	20,400	3.34	2.36	8.20	C37-48C	EL296UH090XV48C	10084509
XP14-036-230	34,400	15.20	12.70	32,600	20,800	3.42	2.40	8.20	C37-48C	EL296UH090XV60C	10084514
XP14-036-230	34,200	15.50	12.70	32,400	20,600	3.40	2.40	8.20	C37-48C	EL296UH110XE60C	10084606
XP14-036-230	34,200	15.50	13.00	32,200	20,400	3.38	2.38	8.20	C37-48C	EL296UH110XV48C	10084512
XP14-036-230	34,400	15.50	13.00	32,400	20,600	3.42	2.40	8.20	C37-48C	EL296UH110XV60C	10084541
XP14-036-230	34,400	15.10	12.50	32,400	20,600	3.42	2.40	8.20	C37-48C	SL280UH090V60C	10084370
XP14-036-230	34,400	15.10	12.50	32,400	20,600	3.42	2.40	8.20	C37-48C	SL280UH090XV60C	10085027
XP14-036-230	34,200	15.10	12.50	32,400	20,600	3.38	2.38	8.20	C37-48C	SL280UH110V60C	10084351
XP14-036-230	34,200	15.10	12.50	32,400	20,600	3.38	2.38	8.20	C37-48C	SL280UH110XV60C	10085037
XP14-036-230	34,000	15.20	12.70	32,400	20,600	3.36	2.38	8.20	C37-48C	SLP98UH090XV36C	10084374
XP14-036-230	34,000	15.50	12.70	32,200	20,400	3.34	2.36	8.20	C37-48C	SLP98UH090XV48C	10084381
XP14-036-230	34,400	15.20	12.70	32,600	20,800	3.42	2.40	8.20	C37-48C	SLP98UH090XV60C	10084426
XP14-036-230	34,400	15.50	13.00	32,400	20,600	3.42	2.40	8.20	C37-48C	SLP98UH110XV60C	10084401
XP14-036-230	35,200	15.70	13.20	31,600	20,400	3.64	2.52	8.70	C37-49C	EL180UH090E60C	10084682
XP14-036-230	34,800	15.70	13.20	31,400	20,200	3.62	2.50	8.70	C37-49C	EL180UH110E60C	10084704
XP14-036-230	34,800	15.50	13.00	31,400	20,400	3.58	2.50	8.70	C37-49C	EL195UH090XE48C	10084420
XP14-036-230	35,200	15.70	13.20	31,600	20,400	3.64	2.52	8.70	C37-49C	EL195UH110XE60C	10084359
XP14-036-230	34,800	15.50	13.00	31,400	20,400	3.58	2.50	8.70	C37-49C	EL296UH090XE48C	10084656
XP14-036-230	35,000	15.50	13.20	31,600	20,400	3.60	2.50	8.70	C37-49C	EL296UH090XV36C	10084579
XP14-036-230	34,800	15.70	13.20	31,400	20,200	3.58	2.48	8.70	C37-49C	EL296UH090XV48C	10084525
XP14-036-230	35,400	15.50	13.00	31,800	20,600	3.64	2.52	8.70	C37-49C	EL296UH090XV60C	10084519

**NOTES:**

Ratings are AHRI certified to AHRI Standard 210/240 (with 25 ft. of connecting refrigerant lines);

- Cooling Ratings - 95°F outdoor air temperature and 80°F db/67°F wb entering indoor coil air.
- High Temperature Heating Ratings - 47°F db/43°F wb outdoor air temperature and 70°F db entering indoor coil air.
- Low Temperature Heating Ratings - 17°F db/15°F wb outdoor air temperature and 70°F db entering indoor coil air.

All ratings include the use of a blower time delay relay (TDR). All Lennox variable-speed Furnaces and Air Handlers have time delay capabilities. Other Furnaces and Air Handlers may require an optional time delay relay (**58M81**) for field installation. See furnace or air handler specifications to determine if relay is needed.

Also see TXV Substitution Table at the beginning of the Heat Pump AHRI System Matches section.

When used with gas furnaces, a dual-fuel control, a control system with dual-fuel capabilities (LZP-2 or LZP-4), or a thermostat with dual-fuel capabilities must be used (ordered extra).

To convert HSPF from Region IV to Region V - Divide by 1.15.

## AHRI SYSTEM MATCHES

Model No.	Cooling Capacity	SEER	EER	Heat Capacity		Heat COP		HSPF (IV)	Coil or Air Handler	Furnace	AHRI Reference
				High	Low	High	Low				
XP14-036-230	35,200	15.70	13.20	31,600	20,400	3.64	2.52	8.70	C37-49C	EL296UH110XE60C	10084609
XP14-036-230	35,000	15.70	13.20	31,400	20,200	3.60	2.50	8.70	C37-49C	EL296UH110XV48C	10084547
XP14-036-230	35,200	15.70	13.20	31,600	20,400	3.64	2.52	8.70	C37-49C	EL296UH110XV60C	10084530
XP14-036-230	35,400	15.10	13.00	31,600	20,400	3.66	2.52	8.50	C37-49C	SL280UH090V60C	10084352
XP14-036-230	35,400	15.10	13.00	31,600	20,400	3.66	2.52	8.50	C37-49C	SL280UH090XV60C	10085022
XP14-036-230	35,200	15.10	13.00	31,600	20,400	3.62	2.50	8.50	C37-49C	SL280UH110V60C	10084345
XP14-036-230	35,200	15.10	13.00	31,600	20,400	3.62	2.50	8.50	C37-49C	SL280UH110XV60C	10085038
XP14-036-230	35,000	15.50	13.20	31,600	20,400	3.60	2.50	8.70	C37-49C	SLP98UH090XV36C	10084411
XP14-036-230	34,800	15.70	13.20	31,400	20,200	3.58	2.48	8.70	C37-49C	SLP98UH090XV48C	10084397
XP14-036-230	35,400	15.50	13.00	31,800	20,600	3.64	2.52	8.70	C37-49C	SLP98UH090XV60C	10084417
XP14-036-230	35,200	15.70	13.20	31,600	20,400	3.64	2.52	8.70	C37-49C	SLP98UH110XV60C	10084424
XP14-036-230	34,400	14.20	12.00	32,200	21,000	3.40	2.36	8.20	C37-49C		10084098
XP14-036-230	34,600	15.50	13.00	31,400	20,200	3.60	2.50	8.70	C37-50/60C	EL180UH090E60C	10084687
XP14-036-230	34,200	15.50	13.00	31,200	20,200	3.56	2.50	8.70	C37-50/60C	EL180UH110E60C	10084702
XP14-036-230	34,200	15.20	12.70	31,400	20,400	3.56	2.50	8.70	C37-50/60C	EL195UH090XE48C	10084371
XP14-036-230	34,600	15.50	13.00	31,600	20,400	3.60	2.50	8.70	C37-50/60C	EL195UH110XE60C	10084387
XP14-036-230	34,200	15.20	12.70	31,400	20,400	3.56	2.50	8.70	C37-50/60C	EL296UH090XE48C	10084618
XP14-036-230	34,400	15.20	12.70	31,400	20,400	3.56	2.50	8.70	C37-50/60C	EL296UH090XV36C	10084568
XP14-036-230	34,200	15.20	13.00	31,200	20,200	3.54	2.48	8.70	C37-50/60C	EL296UH090XV48C	10084523
XP14-036-230	34,800	15.20	12.70	31,800	20,600	3.60	2.50	8.70	C37-50/60C	EL296UH090XV60C	10084532
XP14-036-230	34,600	15.50	13.00	31,600	20,400	3.60	2.50	8.70	C37-50/60C	EL296UH110XE60C	10084603
XP14-036-230	34,400	15.50	13.00	31,400	20,200	3.58	2.50	8.70	C37-50/60C	EL296UH110XV48C	10084549
XP14-036-230	34,600	15.50	13.00	31,600	20,400	3.62	2.52	8.70	C37-50/60C	EL296UH110XV60C	10084543
XP14-036-230	34,800	15.10	12.50	31,600	20,400	3.64	2.52	8.50	C37-50/60C	SL280UH090V60C	10084353
XP14-036-230	34,800	15.10	12.50	31,600	20,400	3.64	2.52	8.50	C37-50/60C	SL280UH090XV60C	10085023
XP14-036-230	34,600	15.10	12.50	31,600	20,400	3.58	2.50	8.50	C37-50/60C	SL280UH110V60C	10084346
XP14-036-230	34,600	15.10	12.50	31,600	20,400	3.58	2.50	8.50	C37-50/60C	SL280UH110XV60C	10085039
XP14-036-230	34,400	15.20	12.70	31,400	20,400	3.56	2.50	8.70	C37-50/60C	SLP98UH090XV36C	10084391
XP14-036-230	34,200	15.20	13.00	31,200	20,200	3.54	2.48	8.70	C37-50/60C	SLP98UH090XV48C	10084375
XP14-036-230	34,800	15.20	12.70	31,800	20,600	3.60	2.50	8.70	C37-50/60C	SLP98UH090XV60C	10084406
XP14-036-230	34,600	15.50	13.00	31,600	20,400	3.62	2.52	8.70	C37-50/60C	SLP98UH110XV60C	10084382
XP14-036-230	33,800	14.00	11.70	32,000	21,000	3.34	2.36	8.20	C37-50/60C		10084097
XP14-036-230	34,200	15.00	12.50	32,800	21,000	3.36	2.46	8.50	CBA27UHE-036		10260312
XP14-036-230	35,000	15.50	12.50	33,000	20,000	3.80	2.62	8.50	CBA27UHE-042		10260313
XP14-036-230	34,600	14.00	12.00	34,600	21,400	3.50	2.44	8.20	CBX25UH-036		6991376
XP14-036-230	34,600	15.00	12.50	34,000	21,000	3.58	2.52	8.50	CBX25UHV-036		7498492
XP14-036-230	34,800	15.20	12.50	32,800	20,400	3.72	2.56	8.70	CBX27UH-036		5432024
XP14-036-230	36,000	16.00	13.50	33,000	17,300	3.98	2.34	8.50	CBX27UH-042		5432025
XP14-036-230	34,600	14.50	11.70	33,400	20,800	3.62	2.48	8.50	CBX32M-036		5432026
XP14-036-230	34,400	14.50	11.70	33,200	20,800	3.60	2.48	8.50	CBX32M-042		5432027
XP14-036-230	34,800	14.70	12.00	33,200	20,800	3.64	2.52	8.70	CBX32MV-036		5432028
XP14-036-230	35,400	15.50	13.00	31,800	20,800	3.76	2.62	9.20	CBX32MV-048		5432029
XP14-036-230	34,800	14.70	12.20	33,200	20,600	3.68	2.52	8.70	CBX40UHV-036		5432048
XP14-036-230	35,200	15.20	12.70	32,000	20,800	3.74	2.58	9.00	CBX40UHV-042		5432049
XP14-036-230	35,400	15.50	13.00	31,800	20,800	3.78	2.62	9.20	CBX40UHV-048		5432050
XP14-036-230	35,200	15.70	13.20	32,000	20,200	3.68	2.54	9.00	CH33-43B	EL180UH070E36B	5742069
XP14-036-230	35,600	15.70	13.20	32,200	20,400	3.72	2.54	9.00	CH33-43B	EL180UH090E48B	5742387

### NOTES:

Ratings are AHRI certified to AHRI Standard 210/240 (with 25 ft. of connecting refrigerant lines);

- Cooling Ratings - 95°F outdoor air temperature and 80°F db/67°F wb entering indoor coil air.

- High Temperature Heating Ratings - 47°F db/43°F wb outdoor air temperature and 70°F db entering indoor coil air.

- Low Temperature Heating Ratings - 17°F db/15°F wb outdoor air temperature and 70°F db entering indoor coil air.

All ratings include the use of a blower time delay relay (TDR). All Lennox variable-speed Furnaces and Air Handlers have time delay capabilities. Other Furnaces and Air Handlers may require an optional time delay relay (**58M81**) for field installation. See furnace or air handler specifications to determine if relay is needed.

Also see TXV Substitution Table at the beginning of the Heat Pump AHRI System Matches section.

When used with gas furnaces, a dual-fuel control, a control system with dual-fuel capabilities (LZP-2 or LZP-4), or a thermostat with dual-fuel capabilities must be used (ordered extra).

To convert HSPF from Region IV to Region V - Divide by 1.15.

## AHRI SYSTEM MATCHES

Model No.	Cooling Capacity	SEER	EER	Heat Capacity		Heat High	COP Low	HSPF (IV)	Coil or Air Handler	Furnace	AHRI Reference
				High	Low						
XP14-036-230	35,400	14.70	12.50	32,800	21,000	3.60	2.48	8.50	CH33-43B	EL195UH045XE36B	5432188
XP14-036-230	35,200	15.20	12.70	32,200	20,600	3.62	2.50	8.70	CH33-43B	EL195UH070XE36B	5432159
XP14-036-230	35,400	14.70	12.50	32,800	21,000	3.60	2.48	8.50	CH33-43B	EL296UH045XE36B	5650756
XP14-036-230	35,400	15.20	12.70	32,600	20,800	3.66	2.50	8.70	CH33-43B	EL296UH045XV36B	5562743
XP14-036-230	35,200	15.20	12.70	32,200	20,600	3.62	2.50	8.70	CH33-43B	EL296UH070XE36B	5650744
XP14-036-230	35,600	15.20	12.70	32,600	20,800	3.66	2.52	8.70	CH33-43B	EL296UH070XV36B	5562752
XP14-036-230	35,600	15.70	13.20	32,200	20,400	3.74	2.56	9.00	CH33-43B	SL280UH090V36B	5532486
XP14-036-230	35,600	15.70	13.20	32,400	20,600	3.72	2.56	9.00	CH33-43B	SL280UH090V48B	5432056
XP14-036-230	35,600	15.70	13.20	32,400	20,600	3.72	2.56	9.00	CH33-43B	SL280UH090XV48B	8133218
XP14-036-230	35,600	15.20	12.70	32,600	20,800	3.66	2.52	8.70	CH33-43B	SLP98UH070XV36B	5432220
XP14-036-230	35,200	14.50	12.20	32,800	21,000	3.52	2.42	8.50	CH33-43B		5431960
XP14-036-230	35,400	15.70	13.20	32,600	20,600	3.52	2.48	8.50	CH33-43C	EL180UH090E60C	5740235
XP14-036-230	35,200	15.70	13.20	32,400	20,400	3.48	2.46	8.50	CH33-43C	EL180UH110E60C	5740702
XP14-036-230	35,200	15.50	13.20	32,600	20,600	3.48	2.46	8.20	CH33-43C	EL195UH090XE48C	5432168
XP14-036-230	35,400	15.70	13.20	32,600	20,600	3.52	2.46	8.50	CH33-43C	EL195UH110XE60C	5432179
XP14-036-230	35,200	15.50	13.20	32,600	20,600	3.48	2.46	8.20	CH33-43C	EL296UH090XE48C	5650730
XP14-036-230	35,200	15.50	13.20	32,600	20,600	3.48	2.46	8.20	CH33-43C	EL296UH090XV36C	5562758
XP14-036-230	35,000	15.50	13.20	32,400	20,400	3.46	2.44	8.50	CH33-43C	EL296UH090XV48C	5562768
XP14-036-230	35,600	15.50	13.00	32,800	20,800	3.52	2.48	8.50	CH33-43C	EL296UH090XV60C	5562783
XP14-036-230	35,400	15.70	13.20	32,600	20,600	3.52	2.46	8.50	CH33-43C	EL296UH110XE60C	5650762
XP14-036-230	35,200	15.70	13.20	32,400	20,600	3.48	2.48	8.50	CH33-43C	EL296UH110XV48C	5562799
XP14-036-230	35,600	15.70	13.20	32,600	20,600	3.52	2.48	8.50	CH33-43C	EL296UH110XV60C	5562806
XP14-036-230	35,600	15.10	13.00	32,600	20,600	3.54	2.48	8.20	CH33-43C	SL280UH090V60C	5432064
XP14-036-230	35,600	15.10	13.00	32,600	20,600	3.54	2.48	8.20	CH33-43C	SL280UH090XV60C	8133228
XP14-036-230	35,400	15.10	13.00	32,800	20,600	3.52	2.46	8.20	CH33-43C	SL280UH110V60C	5432065
XP14-036-230	35,400	15.10	13.00	32,800	20,600	3.52	2.46	8.20	CH33-43C	SL280UH110XV60C	8133256
XP14-036-230	35,200	15.50	13.20	32,600	20,600	3.48	2.46	8.20	CH33-43C	SLP98UH090XV36C	5432221
XP14-036-230	35,000	15.50	13.20	32,400	20,400	3.46	2.44	8.50	CH33-43C	SLP98UH090XV48C	5432222
XP14-036-230	35,600	15.50	13.00	32,800	20,800	3.52	2.48	8.50	CH33-43C	SLP98UH090XV60C	5432223
XP14-036-230	35,600	15.70	13.20	32,600	20,600	3.52	2.48	8.50	CH33-43C	SLP98UH110XV60C	5432224
XP14-036-230	34,000	15.20	12.70	32,400	20,400	3.38	2.46	8.20	CH33-44/48	EL180UH070E36B	5742071
XP14-036-230	34,200	15.20	12.70	32,800	20,600	3.42	2.48	8.20	CH33-44/48	EL180UH090E48B	5742390
XP14-036-230	34,000	14.70	12.50	32,800	20,800	3.36	2.44	8.20	CH33-44/48	EL195UH070XE36B	5432160
XP14-036-230	34,200	14.50	12.20	33,000	21,000	3.36	2.44	8.20	CH33-44/48	EL296UH045XV36B	5562740
XP14-036-230	34,000	14.70	12.50	32,800	20,800	3.36	2.44	8.20	CH33-44/48	EL296UH070XE36B	5650729
XP14-036-230	34,200	14.70	12.50	33,000	21,000	3.38	2.46	8.20	CH33-44/48	EL296UH070XV36B	5562751
XP14-036-230	34,400	15.20	12.70	32,800	20,600	3.46	2.48	8.20	CH33-44/48	SL280UH090V36B	5532483
XP14-036-230	34,400	15.00	12.70	32,800	20,800	3.42	2.48	8.20	CH33-44/48	SL280UH090V48B	5432071
XP14-036-230	34,400	15.00	12.70	32,800	20,800	3.42	2.48	8.20	CH33-44/48	SL280UH090XV48B	8133219
XP14-036-230	34,200	14.70	12.50	33,000	21,000	3.38	2.46	8.20	CH33-44/48	SLP98UH070XV36B	5432225
XP14-036-230	35,000	15.50	13.00	32,600	20,600	3.46	2.44	8.20	CH33-48	EL296UH090XV36C	5562759
XP14-036-230	34,800	15.50	13.00	32,400	20,400	3.44	2.44	8.50	CH33-48	EL296UH090XV48C	5562769
XP14-036-230	35,400	15.20	13.00	32,800	20,800	3.52	2.46	8.50	CH33-48	EL296UH090XV60C	5562779
XP14-036-230	35,000	15.50	13.20	32,400	20,600	3.46	2.48	8.50	CH33-48	EL296UH110XV48C	5562795
XP14-036-230	35,200	15.50	13.20	32,600	20,600	3.52	2.46	8.50	CH33-48	EL296UH110XV60C	5562811
XP14-036-230	35,400	15.10	13.00	32,600	20,600	3.54	2.48	8.20	CH33-48	SL280UH090V60C	5432077
XP14-036-230	35,400	15.10	13.00	32,600	20,600	3.54	2.48	8.20	CH33-48	SL280UH090XV60C	8133229

**NOTES:**

Ratings are AHRI certified to AHRI Standard 210/240 (with 25 ft. of connecting refrigerant lines);

- Cooling Ratings - 95°F outdoor air temperature and 80°F db/67°F wb entering indoor coil air.
- High Temperature Heating Ratings - 47°F db/43°F wb outdoor air temperature and 70°F db entering indoor coil air.
- Low Temperature Heating Ratings - 17°F db/15°F wb outdoor air temperature and 70°F db entering indoor coil air.

All ratings include the use of a blower time delay relay (TDR). All Lennox variable-speed Furnaces and Air Handlers have time delay capabilities. Other Furnaces and Air Handlers may require an optional time delay relay (**58M81**) for field installation. See furnace or air handler specifications to determine if relay is needed.

Also see TXV Substitution Table at the beginning of the Heat Pump AHRI System Matches section.

When used with gas furnaces, a dual-fuel control, a control system with dual-fuel capabilities (LZP-2 or LZP-4), or a thermostat with dual-fuel capabilities must be used (ordered extra).

To convert HSPF from Region IV to Region V - Divide by 1.15.

## AHRI SYSTEM MATCHES

Model No.	Cooling Capacity	SEER	EER	Heat Capacity		Heat COP		HSPF (IV)	Coil or Air Handler	Furnace	AHRI Reference
				High	Low	High	Low				
XP14-036-230	35,200	15.10	12.50	32,600	20,600	3.48	2.44	8.20	CH33-48	SL280UH110V60C	5432078
XP14-036-230	35,200	15.10	12.50	32,600	20,600	3.48	2.44	8.20	CH33-48	SL280UH110XV60C	8133257
XP14-036-230	35,000	15.50	13.00	32,600	20,600	3.46	2.44	8.20	CH33-48	SLP98UH090XV36C	5432226
XP14-036-230	34,800	15.50	13.00	32,400	20,400	3.44	2.44	8.50	CH33-48	SLP98UH090XV48C	5432227
XP14-036-230	35,400	15.20	13.00	32,800	20,800	3.52	2.46	8.50	CH33-48	SLP98UH090XV60C	5432228
XP14-036-230	35,200	15.50	13.20	32,600	20,600	3.52	2.46	8.50	CH33-48	SLP98UH110XV60C	5432229
XP14-036-230	35,200	15.70	13.20	31,800	20,400	3.76	2.58	9.00	CH33-49	EL180UH090E60C	5740244
XP14-036-230	35,000	15.70	13.20	31,600	20,200	3.72	2.56	9.00	CH33-49	EL180UH110E60C	5740697
XP14-036-230	34,800	15.50	13.00	31,800	20,400	3.70	2.56	8.50	CH33-49	EL195UH090XE48C	5432169
XP14-036-230	35,200	15.70	13.20	31,800	20,400	3.74	2.56	9.00	CH33-49	EL195UH110XE60C	5432180
XP14-036-230	34,800	15.50	13.00	31,800	20,400	3.70	2.56	8.50	CH33-49	EL296UH090XE48C	5650734
XP14-036-230	35,000	15.70	13.20	32,200	20,400	3.74	2.56	9.00	CH33-49	EL296UH090XV36C	5562763
XP14-036-230	34,800	15.70	13.20	32,000	20,400	3.72	2.56	9.00	CH33-49	EL296UH090XV48C	5562772
XP14-036-230	35,400	15.50	13.00	32,400	20,600	3.78	2.56	9.00	CH33-49	EL296UH090XV60C	5562782
XP14-036-230	35,200	15.70	13.20	31,800	20,400	3.74	2.56	9.00	CH33-49	EL296UH110XE60C	5650755
XP14-036-230	35,000	15.70	13.20	32,000	20,400	3.76	2.58	9.00	CH33-49	EL296UH110XV48C	5562793
XP14-036-230	35,400	15.70	13.20	32,200	20,400	3.78	2.58	9.00	CH33-49	EL296UH110XV60C	5562808
XP14-036-230	35,400	15.10	13.00	32,200	20,400	3.80	2.58	9.00	CH33-49	SL280UH090V60C	5432086
XP14-036-230	35,400	15.10	13.00	32,200	20,400	3.80	2.58	9.00	CH33-49	SL280UH090XV60C	8133230
XP14-036-230	35,200	15.10	13.00	32,200	20,600	3.74	2.58	9.00	CH33-49	SL280UH110V60C	5432087
XP14-036-230	35,200	15.10	13.00	32,200	20,600	3.74	2.58	9.00	CH33-49	SL280UH110XV60C	8133258
XP14-036-230	35,000	15.70	13.20	32,200	20,400	3.74	2.56	9.00	CH33-49	SLP98UH090XV36C	5432230
XP14-036-230	34,800	15.70	13.20	32,000	20,400	3.72	2.56	9.00	CH33-49	SLP98UH090XV48C	5432231
XP14-036-230	35,400	15.50	13.00	32,400	20,600	3.78	2.56	9.00	CH33-49	SLP98UH090XV60C	5432232
XP14-036-230	35,400	15.70	13.20	32,200	20,400	3.78	2.58	9.00	CH33-49	SLP98UH110XV60C	5432233
XP14-036-230	34,400	14.20	12.00	32,800	21,000	3.52	2.42	8.50	CH33-49		5431964
XP14-036-230	35,000	15.70	13.20	31,600	20,400	3.70	2.56	9.00	CH33-50/60C	EL180UH090E60C	5740236
XP14-036-230	34,800	15.70	13.20	31,400	20,200	3.66	2.54	9.00	CH33-50/60C	EL180UH110E60C	5740696
XP14-036-230	34,800	15.50	13.00	31,600	20,400	3.66	2.54	9.00	CH33-50/60C	EL195UH090XE48C	5432170
XP14-036-230	35,000	15.70	13.20	31,800	20,400	3.72	2.56	9.00	CH33-50/60C	EL195UH110XE60C	5432181
XP14-036-230	34,800	15.50	13.00	31,600	20,400	3.66	2.54	9.00	CH33-50/60C	EL296UH090XE48C	5650751
XP14-036-230	34,800	15.50	13.00	32,000	20,400	3.70	2.54	9.00	CH33-50/60C	EL296UH090XV36C	5562760
XP14-036-230	34,600	15.70	13.00	31,800	20,400	3.68	2.56	9.00	CH33-50/60C	EL296UH090XV48C	5562770
XP14-036-230	35,400	15.50	13.00	32,400	20,600	3.76	2.56	9.00	CH33-50/60C	EL296UH090XV60C	5562780
XP14-036-230	35,000	15.70	13.20	31,800	20,400	3.72	2.56	9.00	CH33-50/60C	EL296UH110XE60C	5650740
XP14-036-230	34,800	15.70	13.20	32,000	20,400	3.72	2.56	9.00	CH33-50/60C	EL296UH110XV48C	5562796
XP14-036-230	35,200	15.70	13.20	32,200	20,400	3.76	2.56	9.00	CH33-50/60C	EL296UH110XV60C	5562812
XP14-036-230	35,400	15.10	13.00	32,200	20,400	3.78	2.58	9.00	CH33-50/60C	SL280UH090V60C	5432095
XP14-036-230	35,400	15.10	13.00	32,200	20,400	3.78	2.58	9.00	CH33-50/60C	SL280UH090XV60C	8133231
XP14-036-230	35,000	15.50	12.50	32,200	20,400	3.74	2.54	8.50	CH33-50/60C	SL280UH110V60C	5432096
XP14-036-230	35,000	15.50	12.50	32,200	20,400	3.74	2.54	8.50	CH33-50/60C	SL280UH110XV60C	8133259
XP14-036-230	34,800	15.50	13.00	32,000	20,400	3.70	2.54	9.00	CH33-50/60C	SLP98UH090XV36C	5432234
XP14-036-230	34,600	15.70	13.00	31,800	20,400	3.68	2.56	9.00	CH33-50/60C	SLP98UH090XV48C	5432235
XP14-036-230	35,400	15.50	13.00	32,400	20,600	3.76	2.56	9.00	CH33-50/60C	SLP98UH090XV60C	5432236
XP14-036-230	35,200	15.70	13.20	32,200	20,400	3.76	2.56	9.00	CH33-50/60C	SLP98UH110XV60C	5432237
XP14-036-230	34,200	14.20	12.00	32,600	21,000	3.48	2.40	8.20	CH33-50/60C		5431965
XP14-036-230	35,200	15.70	13.20	33,200	20,800	3.52	2.48	8.50	CR33-48	EL180DF070E36B	5741561

### NOTES:

Ratings are AHRI certified to AHRI Standard 210/240 (with 25 ft. of connecting refrigerant lines);

- Cooling Ratings - 95°F outdoor air temperature and 80°F db/67°F wb entering indoor coil air.

- High Temperature Heating Ratings - 47°F db/43°F wb outdoor air temperature and 70°F db entering indoor coil air.

- Low Temperature Heating Ratings - 17°F db/15°F wb outdoor air temperature and 70°F db entering indoor coil air.

All ratings include the use of a blower time delay relay (TDR). All Lennox variable-speed Furnaces and Air Handlers have time delay capabilities. Other Furnaces and Air Handlers may require an optional time delay relay (**58M81**) for field installation. See furnace or air handler specifications to determine if relay is needed.

Also see TXV Substitution Table at the beginning of the Heat Pump AHRI System Matches section.

When used with gas furnaces, a dual-fuel control, a control system with dual-fuel capabilities (LZP-2 or LZP-4), or a thermostat with dual-fuel capabilities must be used (ordered extra).

To convert HSPF from Region IV to Region V - Divide by 1.15.



## AHRI SYSTEM MATCHES

Model No.	Cooling Capacity	SEER	EER	Heat Capacity		Heat COP		HSPF (IV)	Coil or Air Handler	Furnace	AHRI Reference
				High	Low	High	Low				
XP14-036-230	35,200	15.50	13.00	33,400	21,000	3.54	2.50	8.50	CR33-48	EL180DF090E48B	5741585
XP14-036-230	35,800	15.70	13.20	33,400	21,000	3.58	2.52	8.70	CR33-48	EL180DF110E60C	5741635
XP14-036-230	34,800	15.00	12.70	33,400	21,200	3.44	2.44	8.20	CR33-48	EL195DF045XE36B	5432156
XP14-036-230	35,200	15.20	13.00	33,400	21,000	3.50	2.46	8.50	CR33-48	EL195DF070XE48B	5432157
XP14-036-230	35,200	15.20	12.70	33,400	21,000	3.48	2.46	8.50	CR33-48	EL195DF090XE48C	5432158
XP14-036-230	35,600	15.50	13.00	33,600	21,000	3.58	2.50	8.50	CR33-48	EL195DF110XE60C	5432183
XP14-036-230	34,800	15.00	12.70	33,400	21,200	3.44	2.44	8.20	CR33-48	EL296DF045XE36B	5650741
XP14-036-230	35,200	15.00	12.70	33,600	21,200	3.46	2.44	8.20	CR33-48	EL296DF045XV36B	5562731
XP14-036-230	35,200	15.20	13.00	33,400	21,000	3.50	2.46	8.50	CR33-48	EL296DF070XE48B	5650737
XP14-036-230	35,200	15.00	12.50	33,800	21,200	3.48	2.42	8.20	CR33-48	EL296DF070XV48B	5562732
XP14-036-230	35,200	15.20	12.70	33,400	21,000	3.48	2.46	8.50	CR33-48	EL296DF090XE48C	5650767
XP14-036-230	35,600	15.50	13.00	33,600	21,000	3.56	2.48	8.50	CR33-48	EL296DF090XV60C	5562733
XP14-036-230	35,600	15.50	13.00	33,600	21,000	3.58	2.50	8.50	CR33-48	EL296DF110XE60C	5650747
XP14-036-230	35,600	15.50	13.00	33,600	21,200	3.56	2.50	8.50	CR33-48	EL296DF110XV60C	5562736
XP14-036-230	35,200	15.50	13.00	33,400	21,000	3.52	2.48	8.50	CR33-48	SL280DF090V48B	5532332
XP14-036-230	35,800	15.70	13.00	33,600	21,000	3.62	2.52	8.50	CR33-48	SL280DF090V60C	5432117
XP14-036-230	35,600	15.10	13.00	33,400	21,000	3.58	2.52	8.50	CR33-48	SL280DF110V60C	5432118
XP14-036-230	35,400	15.20	12.70	33,600	21,200	3.50	2.46	8.50	CR33-48	SLP98DF070XV36B	5432238
XP14-036-230	35,400	15.50	13.00	33,400	21,000	3.52	2.46	8.50	CR33-48	SLP98DF090XV36C	5432243
XP14-036-230	35,400	15.50	13.00	33,400	21,000	3.54	2.48	8.50	CR33-48	SLP98DF090XV48C	5432244
XP14-036-230	35,600	15.50	13.00	33,600	21,000	3.56	2.48	8.50	CR33-48	SLP98DF090XV60C	5432245
XP14-036-230	35,600	15.50	13.00	33,600	21,200	3.56	2.50	8.50	CR33-48	SLP98DF110XV60C	5432246
XP14-036-230	34,800	14.20	12.00	34,000	21,600	3.34	2.36	8.20	CR33-48		5431966
XP14-036-230	36,000	16.00	13.50	32,800	20,400	3.92	2.64	9.00	CR33-50/60	EL180DF110E60C	5741634
XP14-036-230	35,600	15.50	13.20	32,800	20,600	3.80	2.60	8.70	CR33-50/60	EL195DF090XE48C	5432182
XP14-036-230	35,800	15.70	13.20	32,800	20,600	3.88	2.64	9.00	CR33-50/60	EL195DF110XE60C	5432184
XP14-036-230	35,600	15.50	13.20	32,800	20,600	3.80	2.60	8.70	CR33-50/60	EL296DF090XE48C	5650770
XP14-036-230	36,400	15.70	13.20	34,000	21,200	3.76	2.58	9.00	CR33-50/60	EL296DF090XV60C	5562734
XP14-036-230	35,800	15.70	13.20	32,800	20,600	3.88	2.64	9.00	CR33-50/60	EL296DF110XE60C	5650732
XP14-036-230	36,400	15.70	13.20	34,000	21,200	3.76	2.58	9.00	CR33-50/60	EL296DF110XV60C	5562735
XP14-036-230	36,600	15.10	13.00	34,000	21,200	3.82	2.62	9.00	CR33-50/60	SL280DF090V60C	5432122
XP14-036-230	36,400	15.10	13.00	33,800	21,000	3.80	2.60	8.50	CR33-50/60	SL280DF110V60C	5432123
XP14-036-230	36,200	15.70	13.20	33,800	21,200	3.72	2.56	8.70	CR33-50/60	SLP98DF090XV36C	5432247
XP14-036-230	36,200	15.70	13.20	33,800	21,200	3.74	2.58	8.70	CR33-50/60	SLP98DF090XV48C	5432248
XP14-036-230	36,400	15.70	13.20	34,000	21,200	3.76	2.58	9.00	CR33-50/60	SLP98DF090XV60C	5432249
XP14-036-230	36,400	15.70	13.20	34,000	21,200	3.76	2.58	9.00	CR33-50/60	SLP98DF110XV60C	5432250
XP14-036-230	35,200	14.20	12.20	33,400	21,200	3.62	2.48	8.50	CR33-50/60		5431968
XP14-036-230	34,200	15.00	12.50	32,800	20,800	3.44	2.40	8.20	CX34-38	EL180UH045E36A	5741774
XP14-036-230	34,200	15.70	13.00	32,400	20,400	3.48	2.44	8.50	CX34-38	EL180UH070E36B	5742070
XP14-036-230	34,600	15.50	13.00	32,600	20,600	3.52	2.46	8.50	CX34-38	EL180UH090E48B	5742389
XP14-036-230	33,800	15.00	12.50	32,600	20,600	3.36	2.38	8.20	CX34-38	EL195UH045XE36B	5432190
XP14-036-230	34,000	15.00	12.50	32,600	20,800	3.42	2.42	8.20	CX34-38	EL195UH070XE36B	5432161
XP14-036-230	33,800	15.00	12.50	32,600	20,600	3.36	2.38	8.20	CX34-38	EL296UH045XE36B	5650771
XP14-036-230	34,200	15.00	12.50	32,800	20,800	3.44	2.40	8.20	CX34-38	EL296UH045XV36B	5562744
XP14-036-230	34,000	15.00	12.50	32,600	20,800	3.42	2.42	8.20	CX34-38	EL296UH070XE36B	5650733
XP14-036-230	34,200	15.00	12.50	32,800	20,800	3.44	2.40	8.20	CX34-38	EL296UH070XV36B	5562749
XP14-036-230	34,200	15.00	12.50	32,800	20,800	3.42	2.40	8.20	CX34-38	SL280UH070V36A	5532384

**NOTES:**

Ratings are AHRI certified to AHRI Standard 210/240 (with 25 ft. of connecting refrigerant lines);

- Cooling Ratings - 95°F outdoor air temperature and 80°F db/67°F wb entering indoor coil air.
- High Temperature Heating Ratings - 47°F db/43°F wb outdoor air temperature and 70°F db entering indoor coil air.
- Low Temperature Heating Ratings - 17°F db/15°F wb outdoor air temperature and 70°F db entering indoor coil air.

All ratings include the use of a blower time delay relay (TDR). All Lennox variable-speed Furnaces and Air Handlers have time delay capabilities. Other Furnaces and Air Handlers may require an optional time delay relay (**58M81**) for field installation. See furnace or air handler specifications to determine if relay is needed.

Also see TXV Substitution Table at the beginning of the Heat Pump AHRI System Matches section.

When used with gas furnaces, a dual-fuel control, a control system with dual-fuel capabilities (LZP-2 or LZP-4), or a thermostat with dual-fuel capabilities must be used (ordered extra).

To convert HSPF from Region IV to Region V - Divide by 1.15.

## AHRI SYSTEM MATCHES

Model No.	Cooling Capacity	SEER	EER	Heat Capacity		Heat COP		HSPF (IV)	Coil or Air Handler	Furnace	AHRI Reference
				High	Low	High	Low				
XP14-036-230	34,200	15.00	12.50	32,800	20,800	3.42	2.40	8.20	CX34-38	SL280UH070XV36A	8133189
XP14-036-230	34,400	15.70	13.00	32,600	20,600	3.50	2.46	8.20	CX34-38	SL280UH090V36B	5532484
XP14-036-230	34,400	15.50	13.00	32,600	20,600	3.50	2.44	8.20	CX34-38	SL280UH090V48B	5432131
XP14-036-230	34,400	15.50	13.00	32,600	20,600	3.50	2.44	8.20	CX34-38	SL280UH090XV48B	8133221
XP14-036-230	34,200	15.00	12.50	32,800	20,800	3.44	2.40	8.20	CX34-38	SLP98UH070XV36B	5432251
XP14-036-230	35,200	15.70	13.20	32,400	20,200	3.46	2.50	8.50	CX34-43	EL180UH070E36B	5742067
XP14-036-230	35,600	15.70	13.20	32,600	20,400	3.52	2.50	8.20	CX34-43	EL180UH090E48B	5742384
XP14-036-230	35,600	15.70	13.20	32,600	20,200	3.52	2.50	8.20	CX34-43	EL180UH090E60C	5740245
XP14-036-230	35,200	15.70	13.20	32,400	20,200	3.48	2.50	8.50	CX34-43	EL180UH110E60C	5740698
XP14-036-230	34,800	15.00	12.70	32,400	20,400	3.34	2.42	8.20	CX34-43	EL195UH045XE36B	5432191
XP14-036-230	35,000	15.00	12.70	32,600	20,400	3.40	2.44	8.20	CX34-43	EL195UH070XE36B	5432162
XP14-036-230	35,200	15.50	13.20	32,600	20,400	3.48	2.48	8.20	CX34-43	EL195UH090XE48C	5432171
XP14-036-230	35,600	15.70	13.20	32,600	20,400	3.52	2.50	8.20	CX34-43	EL195UH110XE60C	5432196
XP14-036-230	34,800	15.00	12.70	32,400	20,400	3.34	2.42	8.20	CX34-43	EL296UH045XE36B	5650753
XP14-036-230	35,200	15.00	12.70	32,800	20,600	3.42	2.46	8.20	CX34-43	EL296UH045XV36B	5562738
XP14-036-230	35,000	15.00	12.70	32,600	20,400	3.40	2.44	8.20	CX34-43	EL296UH070XE36B	5650750
XP14-036-230	35,200	15.00	12.70	32,800	20,600	3.42	2.44	8.20	CX34-43	EL296UH070XV36B	5562746
XP14-036-230	35,200	15.50	13.20	32,600	20,400	3.48	2.48	8.20	CX34-43	EL296UH090XE48C	5650761
XP14-036-230	35,400	15.50	13.20	32,600	20,400	3.46	2.50	8.20	CX34-43	EL296UH090XV36C	5562762
XP14-036-230	35,000	15.50	13.20	32,400	20,200	3.46	2.48	8.50	CX34-43	EL296UH090XV48C	5562771
XP14-036-230	35,800	15.50	13.20	32,800	20,600	3.52	2.50	8.50	CX34-43	EL296UH090XV60C	5562781
XP14-036-230	35,600	15.70	13.20	32,600	20,400	3.52	2.50	8.20	CX34-43	EL296UH110XE60C	5650757
XP14-036-230	35,400	15.70	13.20	32,400	20,200	3.48	2.48	8.50	CX34-43	EL296UH110XV48C	5562800
XP14-036-230	35,600	15.70	13.20	32,600	20,400	3.52	2.52	8.50	CX34-43	EL296UH110XV60C	5562807
XP14-036-230	35,400	15.70	13.20	32,400	20,200	3.48	2.48	8.50	CX34-43	SL280UH090V36B	5532481
XP14-036-230	35,400	15.70	13.20	32,400	20,200	3.46	2.48	8.50	CX34-43	SL280UH090V48B	5432035
XP14-036-230	35,800	15.10	13.00	32,600	20,400	3.54	2.52	8.20	CX34-43	SL280UH090V60C	5432046
XP14-036-230	35,400	15.70	13.20	32,400	20,200	3.46	2.48	8.50	CX34-43	SL280UH090XV48B	8133217
XP14-036-230	35,800	15.10	13.00	32,600	20,400	3.54	2.52	8.20	CX34-43	SL280UH090XV60C	8133227
XP14-036-230	35,600	15.10	13.00	32,600	20,400	3.50	2.48	8.20	CX34-43	SL280UH110V60C	5432047
XP14-036-230	35,600	15.10	13.00	32,600	20,400	3.50	2.48	8.20	CX34-43	SL280UH110XV60C	8133255
XP14-036-230	35,200	15.00	12.70	32,800	20,600	3.42	2.44	8.20	CX34-43	SLP98UH070XV36B	5432218
XP14-036-230	35,400	15.50	13.20	32,600	20,400	3.46	2.50	8.20	CX34-43	SLP98UH090XV36C	5432219
XP14-036-230	35,000	15.50	13.20	32,400	20,200	3.46	2.48	8.50	CX34-43	SLP98UH090XV48C	5432239
XP14-036-230	35,800	15.50	13.20	32,800	20,600	3.52	2.50	8.50	CX34-43	SLP98UH090XV60C	5432240
XP14-036-230	35,600	15.70	13.20	32,600	20,400	3.52	2.52	8.50	CX34-43	SLP98UH110XV60C	5432241
XP14-036-230	33,800	15.50	13.00	32,200	20,400	3.36	2.38	8.20	CX34-44/48	EL180UH070E36B	5742068
XP14-036-230	34,200	15.50	12.70	32,400	20,600	3.40	2.40	8.20	CX34-44/48	EL180UH090E48B	5742388
XP14-036-230	34,200	15.50	13.00	32,400	20,400	3.40	2.38	8.20	CX34-44/48	EL180UH090E60C	5740238
XP14-036-230	34,000	15.50	13.00	32,200	20,400	3.36	2.38	8.20	CX34-44/48	EL180UH110E60C	5740699
XP14-036-230	34,000	15.20	12.70	32,400	20,600	3.36	2.38	8.20	CX34-44/48	EL195UH090XE48C	5432172
XP14-036-230	34,200	15.50	12.70	32,400	20,600	3.40	2.40	8.20	CX34-44/48	EL195UH110XE60C	5432197
XP14-036-230	34,000	15.20	12.70	32,400	20,600	3.36	2.38	8.20	CX34-44/48	EL296UH090XE48C	5650743
XP14-036-230	34,000	15.20	12.70	32,400	20,600	3.36	2.38	8.20	CX34-44/48	EL296UH090XV36C	5562757
XP14-036-230	34,000	15.50	12.70	32,200	20,400	3.34	2.36	8.20	CX34-44/48	EL296UH090XV48C	5562775
XP14-036-230	34,400	15.20	12.70	32,600	20,800	3.42	2.40	8.20	CX34-44/48	EL296UH090XV60C	5562785
XP14-036-230	34,200	15.50	12.70	32,400	20,600	3.40	2.40	8.20	CX34-44/48	EL296UH110XE60C	5650766

### NOTES:

Ratings are AHRI certified to AHRI Standard 210/240 (with 25 ft. of connecting refrigerant lines);

- Cooling Ratings - 95°F outdoor air temperature and 80°F db/67°F wb entering indoor coil air.

- High Temperature Heating Ratings - 47°F db/43°F wb outdoor air temperature and 70°F db entering indoor coil air.

- Low Temperature Heating Ratings - 17°F db/15°F wb outdoor air temperature and 70°F db entering indoor coil air.

All ratings include the use of a blower time delay relay (TDR). All Lennox variable-speed Furnaces and Air Handlers have time delay capabilities. Other Furnaces and Air Handlers may require an optional time delay relay (**58M81**) for field installation. See furnace or air handler specifications to determine if relay is needed.

Also see TXV Substitution Table at the beginning of the Heat Pump AHRI System Matches section.

When used with gas furnaces, a dual-fuel control, a control system with dual-fuel capabilities (LZP-2 or LZP-4), or a thermostat with dual-fuel capabilities must be used (ordered extra).

To convert HSPF from Region IV to Region V - Divide by 1.15.

## AHRI SYSTEM MATCHES

Model No.	Cooling Capacity	SEER	EER	Heat Capacity		Heat COP		HSPF (IV)	Coil or Air Handler	Furnace	AHRI Reference
				High	Low	High	Low				
XP14-036-230	34,200	15.50	13.00	32,200	20,400	3.38	2.38	8.20	CX34-44/48	EL296UH110XV48C	5562794
XP14-036-230	34,400	15.50	13.00	32,400	20,600	3.42	2.40	8.20	CX34-44/48	EL296UH110XV60C	5562805
XP14-036-230	34,000	15.50	12.70	32,200	20,400	3.36	2.38	8.20	CX34-44/48	SL280UH090V36B	5532485
XP14-036-230	34,000	15.20	12.70	32,200	20,400	3.36	2.36	8.20	CX34-44/48	SL280UH090V48B	5432109
XP14-036-230	34,400	15.10	12.50	32,400	20,600	3.42	2.40	8.20	CX34-44/48	SL280UH090V60C	5432154
XP14-036-230	34,000	15.20	12.70	32,200	20,400	3.36	2.36	8.20	CX34-44/48	SL280UH090XV48B	8133220
XP14-036-230	34,400	15.10	12.50	32,400	20,600	3.42	2.40	8.20	CX34-44/48	SL280UH090XV60C	8133235
XP14-036-230	34,200	15.10	12.50	32,400	20,600	3.38	2.38	8.20	CX34-44/48	SL280UH110V60C	5432132
XP14-036-230	34,200	15.10	12.50	32,400	20,600	3.38	2.38	8.20	CX34-44/48	SL280UH110XV60C	8133260
XP14-036-230	34,000	15.20	12.70	32,400	20,600	3.36	2.38	8.20	CX34-44/48	SLP98UH090XV36C	5432252
XP14-036-230	34,000	15.50	12.70	32,200	20,400	3.34	2.36	8.20	CX34-44/48	SLP98UH090XV48C	5432253
XP14-036-230	34,400	15.20	12.70	32,600	20,800	3.42	2.40	8.20	CX34-44/48	SLP98UH090XV60C	5432264
XP14-036-230	34,400	15.50	13.00	32,400	20,600	3.42	2.40	8.20	CX34-44/48	SLP98UH110XV60C	5432254
XP14-036-230	35,200	15.70	13.20	31,600	20,400	3.64	2.52	8.70	CX34-49	EL180UH090E60C	5740242
XP14-036-230	34,800	15.70	13.20	31,400	20,200	3.62	2.50	8.70	CX34-49	EL180UH110E60C	5740700
XP14-036-230	34,800	15.50	13.00	31,400	20,400	3.58	2.50	8.70	CX34-49	EL195UH090XE48C	5432173
XP14-036-230	35,200	15.70	13.20	31,600	20,400	3.64	2.52	8.70	CX34-49	EL195UH110XE60C	5432198
XP14-036-230	34,800	15.50	13.00	31,400	20,400	3.58	2.50	8.70	CX34-49	EL296UH090XE48C	5650739
XP14-036-230	35,000	15.50	13.20	31,600	20,400	3.60	2.50	8.70	CX34-49	EL296UH090XV36C	5562761
XP14-036-230	34,800	15.70	13.20	31,400	20,200	3.58	2.48	8.70	CX34-49	EL296UH090XV48C	5562776
XP14-036-230	35,400	15.50	13.00	31,800	20,600	3.64	2.52	8.70	CX34-49	EL296UH090XV60C	5562786
XP14-036-230	35,200	15.70	13.20	31,600	20,400	3.64	2.52	8.70	CX34-49	EL296UH110XE60C	5650772
XP14-036-230	35,000	15.70	13.20	31,400	20,200	3.60	2.50	8.70	CX34-49	EL296UH110XV48C	5562797
XP14-036-230	35,200	15.70	13.20	31,600	20,400	3.64	2.52	8.70	CX34-49	EL296UH110XV60C	5562809
XP14-036-230	35,400	15.10	13.00	31,600	20,400	3.66	2.52	8.50	CX34-49	SL280UH090V60C	5432140
XP14-036-230	35,400	15.10	13.00	31,600	20,400	3.66	2.52	8.50	CX34-49	SL280UH090XV60C	8133232
XP14-036-230	35,200	15.10	13.00	31,600	20,400	3.62	2.50	8.50	CX34-49	SL280UH110V60C	5432141
XP14-036-230	35,200	15.10	13.00	31,600	20,400	3.62	2.50	8.50	CX34-49	SL280UH110XV60C	8133261
XP14-036-230	35,000	15.50	13.20	31,600	20,400	3.60	2.50	8.70	CX34-49	SLP98UH090XV36C	5432255
XP14-036-230	34,800	15.70	13.20	31,400	20,200	3.58	2.48	8.70	CX34-49	SLP98UH090XV48C	5432256
XP14-036-230	35,400	15.50	13.00	31,800	20,600	3.64	2.52	8.70	CX34-49	SLP98UH090XV60C	5432257
XP14-036-230	35,200	15.70	13.20	31,600	20,400	3.64	2.52	8.70	CX34-49	SLP98UH110XV60C	5432258
XP14-036-230	34,400	14.20	12.00	32,200	21,000	3.40	2.36	8.20	CX34-49		5431971
XP14-036-230	34,600	15.50	13.00	31,400	20,200	3.60	2.50	8.70	CX34-50/60C	EL180UH090E60C	5740243
XP14-036-230	34,200	15.50	13.00	31,200	20,200	3.56	2.50	8.70	CX34-50/60C	EL180UH110E60C	5740701
XP14-036-230	34,200	15.20	12.70	31,400	20,400	3.56	2.50	8.70	CX34-50/60C	EL195UH090XE48C	5432174
XP14-036-230	34,600	15.50	13.00	31,600	20,400	3.60	2.50	8.70	CX34-50/60C	EL195UH110XE60C	5432199
XP14-036-230	34,200	15.20	12.70	31,400	20,400	3.56	2.50	8.70	CX34-50/60C	EL296UH090XE48C	5650769
XP14-036-230	34,400	15.20	12.70	31,400	20,400	3.56	2.50	8.70	CX34-50/60C	EL296UH090XV36C	5562764
XP14-036-230	34,200	15.20	13.00	31,200	20,200	3.54	2.48	8.70	CX34-50/60C	EL296UH090XV48C	5562773
XP14-036-230	34,800	15.20	12.70	31,800	20,600	3.60	2.50	8.70	CX34-50/60C	EL296UH090XV60C	5562787
XP14-036-230	34,600	15.50	13.00	31,600	20,400	3.60	2.50	8.70	CX34-50/60C	EL296UH110XE60C	5650754
XP14-036-230	34,400	15.50	13.00	31,400	20,200	3.58	2.50	8.70	CX34-50/60C	EL296UH110XV48C	5562798
XP14-036-230	34,600	15.50	13.00	31,600	20,400	3.62	2.52	8.70	CX34-50/60C	EL296UH110XV60C	5562810
XP14-036-230	34,800	15.10	12.50	31,600	20,400	3.64	2.52	8.50	CX34-50/60C	SL280UH090V60C	5432148
XP14-036-230	34,800	15.10	12.50	31,600	20,400	3.64	2.52	8.50	CX34-50/60C	SL280UH090XV60C	8133233
XP14-036-230	34,600	15.10	12.50	31,600	20,400	3.58	2.50	8.50	CX34-50/60C	SL280UH110V60C	5432149

**NOTES:**

Ratings are AHRI certified to AHRI Standard 210/240 (with 25 ft. of connecting refrigerant lines);

- Cooling Ratings - 95°F outdoor air temperature and 80°F db/67°F wb entering indoor coil air.
- High Temperature Heating Ratings - 47°F db/43°F wb outdoor air temperature and 70°F db entering indoor coil air.
- Low Temperature Heating Ratings - 17°F db/15°F wb outdoor air temperature and 70°F db entering indoor coil air.

All ratings include the use of a blower time delay relay (TDR). All Lennox variable-speed Furnaces and Air Handlers have time delay capabilities. Other Furnaces and Air Handlers may require an optional time delay relay (**58M81**) for field installation. See furnace or air handler specifications to determine if relay is needed.

Also see TXV Substitution Table at the beginning of the Heat Pump AHRI System Matches section.

When used with gas furnaces, a dual-fuel control, a control system with dual-fuel capabilities (LZP-2 or LZP-4), or a thermostat with dual-fuel capabilities must be used (ordered extra).

To convert HSPF from Region IV to Region V - Divide by 1.15.

## AHRI SYSTEM MATCHES

Model No.	Cooling Capacity	SEER	EER	Heat Capacity		Heat COP		HSPF (IV)	Coil or Air Handler	Furnace	AHRI Reference
				High	Low	High	Low				
XP14-036-230	34,600	15.10	12.50	31,600	20,400	3.58	2.50	8.50	CX34-50/60C	SL280UH110XV60C	8133262
XP14-036-230	34,400	15.20	12.70	31,400	20,400	3.56	2.50	8.70	CX34-50/60C	SLP98UH090XV36C	5432259
XP14-036-230	34,200	15.20	13.00	31,200	20,200	3.54	2.48	8.70	CX34-50/60C	SLP98UH090XV48C	5432260
XP14-036-230	34,800	15.20	12.70	31,800	20,600	3.60	2.50	8.70	CX34-50/60C	SLP98UH090XV60C	5432265
XP14-036-230	34,600	15.50	13.00	31,600	20,400	3.62	2.52	8.70	CX34-50/60C	SLP98UH110XV60C	5432261
XP14-036-230	33,800	14.00	11.70	32,000	21,000	3.34	2.36	8.20	CX34-50/60C		5431972
XP14-036-230	34,200	15.00	12.50	32,800	20,800	3.44	2.40	8.20	CX38-38A	EL180UH045E36A	10084748
XP14-036-230	34,200	15.00	12.50	32,800	20,800	3.42	2.40	8.20	CX38-38A	SL280UH070V36A	10084502
XP14-036-230	34,200	15.00	12.50	32,800	20,800	3.42	2.40	8.20	CX38-38A	SL280UH070XV36A	10085014
XP14-036-230	34,200	15.70	13.00	32,400	20,400	3.48	2.44	8.50	CX38-38B	EL180UH070E36B	10084742
XP14-036-230	34,600	15.50	13.00	32,600	20,600	3.52	2.46	8.50	CX38-38B	EL180UH090E48B	10084737
XP14-036-230	33,800	15.00	12.50	32,600	20,600	3.36	2.38	8.20	CX38-38B	EL195UH045XE36B	10084422
XP14-036-230	34,000	15.00	12.50	32,600	20,800	3.42	2.42	8.20	CX38-38B	EL195UH070XE36B	10084358
XP14-036-230	33,800	15.00	12.50	32,600	20,600	3.36	2.38	8.20	CX38-38B	EL296UH045XE36B	10084646
XP14-036-230	34,200	15.00	12.50	32,800	20,800	3.44	2.40	8.20	CX38-38B	EL296UH045XV36B	10084535
XP14-036-230	34,000	15.00	12.50	32,600	20,800	3.42	2.42	8.20	CX38-38B	EL296UH070XE36B	10084619
XP14-036-230	34,200	15.00	12.50	32,800	20,800	3.44	2.40	8.20	CX38-38B	EL296UH070XV36B	10084564
XP14-036-230	34,400	15.70	13.00	32,600	20,600	3.50	2.46	8.20	CX38-38B	SL280UH090V36B	10084507
XP14-036-230	34,400	15.50	13.00	32,600	20,600	3.50	2.44	8.20	CX38-38B	SL280UH090V48B	10084404
XP14-036-230	34,400	15.50	13.00	32,600	20,600	3.50	2.44	8.20	CX38-38B	SL280UH090XV48B	10085020
XP14-036-230	34,200	15.00	12.50	32,800	20,800	3.44	2.40	8.20	CX38-38B	SLP98UH070XV36B	10084413
XP14-036-230	35,200	15.70	13.20	32,400	20,200	3.46	2.50	8.50	CX38-43B	EL180UH070E36B	10084738
XP14-036-230	35,600	15.70	13.20	32,600	20,400	3.52	2.50	8.20	CX38-43B	EL180UH090E48B	10084730
XP14-036-230	34,800	15.00	12.70	32,400	20,400	3.34	2.42	8.20	CX38-43B	EL195UH045XE36B	10084388
XP14-036-230	35,000	15.00	12.70	32,600	20,400	3.40	2.44	8.20	CX38-43B	EL195UH070XE36B	10084386
XP14-036-230	34,800	15.00	12.70	32,400	20,400	3.34	2.42	8.20	CX38-43B	EL296UH045XE36B	10084630
XP14-036-230	35,200	15.00	12.70	32,800	20,600	3.42	2.46	8.20	CX38-43B	EL296UH045XV36B	10084552
XP14-036-230	35,000	15.00	12.70	32,600	20,400	3.40	2.44	8.20	CX38-43B	EL296UH070XE36B	10084617
XP14-036-230	35,200	15.00	12.70	32,800	20,600	3.42	2.44	8.20	CX38-43B	EL296UH070XV36B	10084578
XP14-036-230	35,400	15.70	13.20	32,400	20,200	3.48	2.48	8.50	CX38-43B	SL280UH090V36B	10084506
XP14-036-230	35,400	15.70	13.20	32,400	20,200	3.46	2.48	8.50	CX38-43B	SL280UH090V48B	10084356
XP14-036-230	35,400	15.70	13.20	32,400	20,200	3.46	2.48	8.50	CX38-43B	SL280UH090XV48B	10085018
XP14-036-230	35,200	15.00	12.70	32,800	20,600	3.42	2.44	8.20	CX38-43B	SLP98UH070XV36B	10084402
XP14-036-230	35,600	15.70	13.20	32,600	20,200	3.52	2.50	8.20	CX38-43C	EL180UH090E60C	10084693
XP14-036-230	35,200	15.70	13.20	32,400	20,200	3.48	2.50	8.50	CX38-43C	EL180UH110E60C	10084703
XP14-036-230	35,200	15.50	13.20	32,600	20,400	3.48	2.48	8.20	CX38-43C	EL195UH090XE48C	10084405
XP14-036-230	35,600	15.70	13.20	32,600	20,400	3.52	2.50	8.20	CX38-43C	EL195UH110XE60C	10084395
XP14-036-230	35,200	15.50	13.20	32,600	20,400	3.48	2.48	8.20	CX38-43C	EL296UH090XE48C	10084631
XP14-036-230	35,400	15.50	13.20	32,600	20,400	3.46	2.50	8.20	CX38-43C	EL296UH090XV36C	10084518
XP14-036-230	35,000	15.50	13.20	32,400	20,200	3.46	2.48	8.50	CX38-43C	EL296UH090XV48C	10084515
XP14-036-230	35,800	15.50	13.20	32,800	20,600	3.52	2.50	8.50	CX38-43C	EL296UH090XV60C	10084511
XP14-036-230	35,600	15.70	13.20	32,600	20,400	3.52	2.50	8.20	CX38-43C	EL296UH110XE60C	10084625
XP14-036-230	35,400	15.70	13.20	32,400	20,200	3.48	2.48	8.50	CX38-43C	EL296UH110XV48C	10084534
XP14-036-230	35,600	15.70	13.20	32,600	20,400	3.52	2.52	8.50	CX38-43C	EL296UH110XV60C	10084550
XP14-036-230	35,800	15.10	13.00	32,600	20,400	3.54	2.52	8.20	CX38-43C	SL280UH090V60C	10084354
XP14-036-230	35,800	15.10	13.00	32,600	20,400	3.54	2.52	8.20	CX38-43C	SL280UH090XV60C	10085024
XP14-036-230	35,600	15.10	13.00	32,600	20,400	3.50	2.48	8.20	CX38-43C	SL280UH110V60C	10084409

**NOTES:**

Ratings are AHRI certified to AHRI Standard 210/240 (with 25 ft. of connecting refrigerant lines);

- Cooling Ratings - 95°F outdoor air temperature and 80°F db/67°F wb entering indoor coil air.

- High Temperature Heating Ratings - 47°F db/43°F wb outdoor air temperature and 70°F db entering indoor coil air.

- Low Temperature Heating Ratings - 17°F db/15°F wb outdoor air temperature and 70°F db entering indoor coil air.

All ratings include the use of a blower time delay relay (TDR). All Lennox variable-speed Furnaces and Air Handlers have time delay capabilities. Other Furnaces and Air Handlers may require an optional time delay relay (**58M81**) for field installation. See furnace or air handler specifications to determine if relay is needed.

Also see TXV Substitution Table at the beginning of the Heat Pump AHRI System Matches section.

When used with gas furnaces, a dual-fuel control, a control system with dual-fuel capabilities (LZP-2 or LZP-4), or a thermostat with dual-fuel capabilities must be used (ordered extra).

To convert HSPF from Region IV to Region V - Divide by 1.15.

## AHRI SYSTEM MATCHES

Model No.	Cooling Capacity	SEER	EER	Heat Capacity		Heat COP		HSPF (IV)	Coil or Air Handler	Furnace	AHRI Reference
				High	Low	High	Low				
XP14-036-230	35,600	15.10	13.00	32,600	20,400	3.50	2.48	8.20	CX38-43C	SL280UH110XV60C	10085040
XP14-036-230	35,400	15.50	13.20	32,600	20,400	3.46	2.50	8.20	CX38-43C	SLP98UH090XV36C	10084412
XP14-036-230	35,000	15.50	13.20	32,400	20,200	3.46	2.48	8.50	CX38-43C	SLP98UH090XV48C	10084392
XP14-036-230	35,800	15.50	13.20	32,800	20,600	3.52	2.50	8.50	CX38-43C	SLP98UH090XV60C	10084376
XP14-036-230	35,600	15.70	13.20	32,600	20,400	3.52	2.52	8.50	CX38-43C	SLP98UH110XV60C	10084383
XP14-036-230	33,800	15.50	13.00	32,200	20,400	3.36	2.38	8.20	CX38-44/48B	EL180UH070E36B	10084752
XP14-036-230	34,200	15.50	12.70	32,400	20,600	3.40	2.40	8.20	CX38-44/48B	EL180UH090E48B	10084735
XP14-036-230	34,000	15.50	12.70	32,200	20,400	3.36	2.38	8.20	CX38-44/48B	SL280UH090V36B	10084505
XP14-036-230	34,000	15.20	12.70	32,200	20,400	3.36	2.36	8.20	CX38-44/48B	SL280UH090V48B	10084355
XP14-036-230	34,000	15.20	12.70	32,200	20,400	3.36	2.36	8.20	CX38-44/48B	SL280UH090XV48B	10085019
XP14-036-230	34,200	15.50	13.00	32,400	20,400	3.40	2.38	8.20	CX38-44/48C	EL180UH090E60C	10084680
XP14-036-230	34,000	15.50	13.00	32,200	20,400	3.36	2.38	8.20	CX38-44/48C	EL180UH110E60C	10084717
XP14-036-230	34,000	15.20	12.70	32,400	20,600	3.36	2.38	8.20	CX38-44/48C	EL195UH090XE48C	10084369
XP14-036-230	34,200	15.50	12.70	32,400	20,600	3.40	2.40	8.20	CX38-44/48C	EL195UH110XE60C	10084415
XP14-036-230	34,000	15.20	12.70	32,400	20,600	3.36	2.38	8.20	CX38-44/48C	EL296UH090XE48C	10084610
XP14-036-230	34,000	15.20	12.70	32,400	20,600	3.36	2.38	8.20	CX38-44/48C	EL296UH090XV36C	10084565
XP14-036-230	34,000	15.50	12.70	32,200	20,400	3.34	2.36	8.20	CX38-44/48C	EL296UH090XV48C	10084526
XP14-036-230	34,400	15.20	12.70	32,600	20,800	3.42	2.40	8.20	CX38-44/48C	EL296UH090XV60C	10084522
XP14-036-230	34,200	15.50	12.70	32,400	20,600	3.40	2.40	8.20	CX38-44/48C	EL296UH110XE60C	10084655
XP14-036-230	34,200	15.50	13.00	32,200	20,400	3.38	2.38	8.20	CX38-44/48C	EL296UH110XV48C	10084540
XP14-036-230	34,400	15.50	13.00	32,400	20,600	3.42	2.40	8.20	CX38-44/48C	EL296UH110XV60C	10084528
XP14-036-230	34,400	15.10	12.50	32,400	20,600	3.42	2.40	8.20	CX38-44/48C	SL280UH090V60C	10084385
XP14-036-230	34,400	15.10	12.50	32,400	20,600	3.42	2.40	8.20	CX38-44/48C	SL280UH090XV60C	10085028
XP14-036-230	34,200	15.10	12.50	32,400	20,600	3.38	2.38	8.20	CX38-44/48C	SL280UH110V60C	10084365
XP14-036-230	34,200	15.10	12.50	32,400	20,600	3.38	2.38	8.20	CX38-44/48C	SL280UH110XV60C	10085041
XP14-036-230	34,000	15.20	12.70	32,400	20,600	3.36	2.38	8.20	CX38-44/48C	SLP98UH090XV36C	10084407
XP14-036-230	34,000	15.50	12.70	32,200	20,400	3.34	2.36	8.20	CX38-44/48C	SLP98UH090XV48C	10084418
XP14-036-230	34,400	15.20	12.70	32,600	20,800	3.42	2.40	8.20	CX38-44/48C	SLP98UH090XV60C	10084378
XP14-036-230	34,400	15.50	13.00	32,400	20,600	3.42	2.40	8.20	CX38-44/48C	SLP98UH110XV60C	10084425
XP14-036-230	35,200	15.70	13.20	31,600	20,400	3.64	2.52	8.70	CX38-49C	EL180UH090E60C	10084677
XP14-036-230	34,800	15.70	13.20	31,400	20,200	3.62	2.50	8.70	CX38-49C	EL180UH110E60C	10084710
XP14-036-230	34,800	15.50	13.00	31,400	20,400	3.58	2.50	8.70	CX38-49C	EL195UH090XE48C	10084364
XP14-036-230	35,200	15.70	13.20	31,600	20,400	3.64	2.52	8.70	CX38-49C	EL195UH110XE60C	10084423
XP14-036-230	34,800	15.50	13.00	31,400	20,400	3.58	2.50	8.70	CX38-49C	EL296UH090XE48C	10084607
XP14-036-230	35,000	15.50	13.20	31,600	20,400	3.60	2.50	8.70	CX38-49C	EL296UH090XV36C	10084520
XP14-036-230	34,800	15.70	13.20	31,400	20,200	3.58	2.48	8.70	CX38-49C	EL296UH090XV48C	10084517
XP14-036-230	35,400	15.50	13.00	31,800	20,600	3.64	2.52	8.70	CX38-49C	EL296UH090XV60C	10084539
XP14-036-230	35,200	15.70	13.20	31,600	20,400	3.64	2.52	8.70	CX38-49C	EL296UH110XE60C	10084643
XP14-036-230	35,000	15.70	13.20	31,400	20,200	3.60	2.50	8.70	CX38-49C	EL296UH110XV48C	10084527
XP14-036-230	35,200	15.70	13.20	31,600	20,400	3.64	2.52	8.70	CX38-49C	EL296UH110XV60C	10084546
XP14-036-230	35,400	15.10	13.00	31,600	20,400	3.66	2.52	8.50	CX38-49C	SL280UH090V60C	10084366
XP14-036-230	35,400	15.10	13.00	31,600	20,400	3.66	2.52	8.50	CX38-49C	SL280UH090XV60C	10085025
XP14-036-230	35,200	15.10	13.00	31,600	20,400	3.62	2.50	8.50	CX38-49C	SL280UH110V60C	10084361
XP14-036-230	35,200	15.10	13.00	31,600	20,400	3.62	2.50	8.50	CX38-49C	SL280UH110XV60C	10085042
XP14-036-230	35,000	15.50	13.20	31,600	20,400	3.60	2.50	8.70	CX38-49C	SLP98UH090XV36C	10084393
XP14-036-230	34,800	15.70	13.20	31,400	20,200	3.58	2.48	8.70	CX38-49C	SLP98UH090XV48C	10084377
XP14-036-230	35,400	15.50	13.00	31,800	20,600	3.64	2.52	8.70	CX38-49C	SLP98UH090XV60C	10084384

**NOTES:**

Ratings are AHRI certified to AHRI Standard 210/240 (with 25 ft. of connecting refrigerant lines);

- Cooling Ratings - 95°F outdoor air temperature and 80°F db/67°F wb entering indoor coil air.
- High Temperature Heating Ratings - 47°F db/43°F wb outdoor air temperature and 70°F db entering indoor coil air.
- Low Temperature Heating Ratings - 17°F db/15°F wb outdoor air temperature and 70°F db entering indoor coil air.

All ratings include the use of a blower time delay relay (TDR). All Lennox variable-speed Furnaces and Air Handlers have time delay capabilities. Other Furnaces and Air Handlers may require an optional time delay relay (**58M81**) for field installation. See furnace or air handler specifications to determine if relay is needed.

Also see TXV Substitution Table at the beginning of the Heat Pump AHRI System Matches section.

When used with gas furnaces, a dual-fuel control, a control system with dual-fuel capabilities (LZP-2 or LZP-4), or a thermostat with dual-fuel capabilities must be used (ordered extra).

To convert HSPF from Region IV to Region V - Divide by 1.15.

## AHRI SYSTEM MATCHES

Model No.	Cooling Capacity	SEER	EER	Heat Capacity		Heat COP		HSPF (IV)	Coil or Air Handler	Furnace	AHRI Reference
				High	Low	High	Low				
XP14-036-230	35,200	15.70	13.20	31,600	20,400	3.64	2.52	8.70	CX38-49C	SLP98UH110XV60C	10084403
XP14-036-230	34,400	14.20	12.00	32,200	21,000	3.40	2.36	8.20	CX38-49C		10084099
XP14-036-230	34,600	15.50	13.00	31,400	20,200	3.60	2.50	8.70	CX38-50/60C	EL180UH090E60C	10084686
XP14-036-230	34,200	15.50	13.00	31,200	20,200	3.56	2.50	8.70	CX38-50/60C	EL180UH110E60C	10084705
XP14-036-230	34,200	15.20	12.70	31,400	20,400	3.56	2.50	8.70	CX38-50/60C	EL195UH090XE48C	10084421
XP14-036-230	34,600	15.50	13.00	31,600	20,400	3.60	2.50	8.70	CX38-50/60C	EL195UH110XE60C	10084389
XP14-036-230	34,200	15.20	12.70	31,400	20,400	3.56	2.50	8.70	CX38-50/60C	EL296UH090XE48C	10084663
XP14-036-230	34,400	15.20	12.70	31,400	20,400	3.56	2.50	8.70	CX38-50/60C	EL296UH090XV36C	10084513
XP14-036-230	34,200	15.20	13.00	31,200	20,200	3.54	2.48	8.70	CX38-50/60C	EL296UH090XV48C	10084510
XP14-036-230	34,800	15.20	12.70	31,800	20,600	3.60	2.50	8.70	CX38-50/60C	EL296UH090XV60C	10084516
XP14-036-230	34,600	15.50	13.00	31,600	20,400	3.60	2.50	8.70	CX38-50/60C	EL296UH110XE60C	10084626
XP14-036-230	34,400	15.50	13.00	31,400	20,200	3.58	2.50	8.70	CX38-50/60C	EL296UH110XV48C	10084548
XP14-036-230	34,600	15.50	13.00	31,600	20,400	3.62	2.52	8.70	CX38-50/60C	EL296UH110XV60C	10084542
XP14-036-230	34,800	15.10	12.50	31,600	20,400	3.64	2.52	8.50	CX38-50/60C	SL280UH090V60C	10084367
XP14-036-230	34,800	15.10	12.50	31,600	20,400	3.64	2.52	8.50	CX38-50/60C	SL280UH090XV60C	10085026
XP14-036-230	34,600	15.10	12.50	31,600	20,400	3.58	2.50	8.50	CX38-50/60C	SL280UH110V60C	10084362
XP14-036-230	34,600	15.10	12.50	31,600	20,400	3.58	2.50	8.50	CX38-50/60C	SL280UH110XV60C	10085043
XP14-036-230	34,400	15.20	12.70	31,400	20,400	3.56	2.50	8.70	CX38-50/60C	SLP98UH090XV36C	10084414
XP14-036-230	34,200	15.20	13.00	31,200	20,200	3.54	2.48	8.70	CX38-50/60C	SLP98UH090XV48C	10084408
XP14-036-230	34,800	15.20	12.70	31,800	20,600	3.60	2.50	8.70	CX38-50/60C	SLP98UH090XV60C	10084394
XP14-036-230	34,600	15.50	13.00	31,600	20,400	3.62	2.52	8.70	CX38-50/60C	SLP98UH110XV60C	10084419
XP14-036-230	33,800	14.00	11.70	32,000	21,000	3.34	2.36	8.20	CX38-50/60C		10084096
XP14-042-230	44,000	15.50	13.20	41,500	26,600	3.60	2.48	8.50	C33-49	EL180UH090E60C	5740246
XP14-042-230	44,000	15.50	13.20	41,500	26,600	3.58	2.48	8.50	C33-49	EL180UH110E60C	5740704
XP14-042-230	42,000	14.70	12.70	41,000	26,000	3.66	2.58	9.00	C33-49	EL195UH090XE48C	5432423
XP14-042-230	42,500	14.70	12.70	41,500	26,400	3.74	2.62	9.00	C33-49	EL195UH110XE60C	5432434
XP14-042-230	42,000	14.70	12.70	41,000	26,000	3.66	2.58	9.00	C33-49	EL296UH090XE48C	5650773
XP14-042-230	43,500	15.50	13.00	41,500	26,600	3.56	2.46	8.50	C33-49	EL296UH090XV36C	5562819
XP14-042-230	43,500	15.50	13.20	41,500	26,600	3.58	2.48	8.50	C33-49	EL296UH090XV48C	5562831
XP14-042-230	44,000	15.50	13.00	42,000	26,800	3.64	2.48	8.70	C33-49	EL296UH090XV60C	5562841
XP14-042-230	42,500	14.70	12.70	41,500	26,400	3.74	2.62	9.00	C33-49	EL296UH110XE60C	5650798
XP14-042-230	44,000	15.70	13.20	41,500	26,600	3.60	2.48	8.70	C33-49	EL296UH110XV48C	5562851
XP14-042-230	44,000	15.70	13.20	41,500	26,600	3.60	2.48	8.70	C33-49	EL296UH110XV60C	5562866
XP14-042-230	44,000	15.70	13.20	41,500	26,600	3.64	2.52	8.70	C33-49	SL280UH090V60C	5432301
XP14-042-230	44,000	15.70	13.20	41,500	26,600	3.64	2.52	8.70	C33-49	SL280UH090XV60C	8133236
XP14-042-230	44,000	15.50	13.20	41,500	26,800	3.58	2.48	8.50	C33-49	SL280UH110V60C	5432302
XP14-042-230	44,000	15.50	13.20	41,500	26,800	3.58	2.48	8.50	C33-49	SL280UH110XV60C	8133263
XP14-042-230	43,500	15.50	13.00	41,500	26,600	3.56	2.46	8.50	C33-49	SLP98UH090XV36C	5432467
XP14-042-230	43,500	15.50	13.20	41,500	26,600	3.58	2.48	8.50	C33-49	SLP98UH090XV48C	5432468
XP14-042-230	44,000	15.50	13.00	42,000	26,800	3.64	2.48	8.70	C33-49	SLP98UH090XV60C	5432469
XP14-042-230	44,000	15.70	13.20	41,500	26,600	3.60	2.48	8.70	C33-49	SLP98UH110XV60C	5432470
XP14-042-230	43,500	14.50	12.20	42,000	27,400	3.42	2.40	8.20	C33-49C		8965371
XP14-042-230	41,000	14.50	12.20	41,000	26,000	3.58	2.54	8.70	C33-50/60C	EL195UH090XE48C	5432424
XP14-042-230	42,000	14.50	12.50	41,500	26,200	3.66	2.56	8.70	C33-50/60C	EL195UH110XE60C	5432435
XP14-042-230	41,000	14.50	12.20	41,000	26,000	3.58	2.54	8.70	C33-50/60C	EL296UH090XE48C	5650781
XP14-042-230	42,000	14.50	12.50	41,500	26,200	3.66	2.56	8.70	C33-50/60C	EL296UH110XE60C	5650786
XP14-042-230	44,000	15.70	13.20	42,000	26,800	3.66	2.54	8.70	C33-50/60C	EL296UH135XV60D	5562869

### NOTES:

Ratings are AHRI certified to AHRI Standard 210/240 (with 25 ft. of connecting refrigerant lines);

- Cooling Ratings - 95°F outdoor air temperature and 80°F db/67°F wb entering indoor coil air.

- High Temperature Heating Ratings - 47°F db/43°F wb outdoor air temperature and 70°F db entering indoor coil air.

- Low Temperature Heating Ratings - 17°F db/15°F wb outdoor air temperature and 70°F db entering indoor coil air.

All ratings include the use of a blower time delay relay (TDR). All Lennox variable-speed Furnaces and Air Handlers have time delay capabilities. Other Furnaces and Air Handlers may require an optional time delay relay (**58M81**) for field installation. See furnace or air handler specifications to determine if relay is needed.

Also see TXV Substitution Table at the beginning of the Heat Pump AHRI System Matches section.

When used with gas furnaces, a dual-fuel control, a control system with dual-fuel capabilities (LZP-2 or LZP-4), or a thermostat with dual-fuel capabilities must be used (ordered extra).

To convert HSPF from Region IV to Region V - Divide by 1.15.

## AHRI SYSTEM MATCHES

Model No.	Cooling Capacity	SEER	EER	Heat Capacity		Heat High	COP Low	HSPF (IV)	Coil or Air Handler	Furnace	AHRI Reference
				High	Low						
XP14-042-230	42,500	15.00	12.70	41,500	26,200	3.82	2.66	9.20	C33-60D	EL180UH135E60D	5741086
XP14-042-230	44,000	15.20	13.00	42,000	27,000	3.60	2.50	8.70	C33-60D	EL195UH135XE60D	5432445
XP14-042-230	44,000	15.20	13.00	42,000	27,000	3.60	2.50	8.70	C33-60D	EL296UH135XE60D	5650796
XP14-042-230	44,000	15.70	13.50	41,500	26,600	3.64	2.54	8.70	C33-60D	SL280UH135V60D	5432313
XP14-042-230	44,000	15.70	13.20	41,500	26,800	3.64	2.56	8.70	C33-60D	SLP98UH135XV60D	5432475
XP14-042-230	43,000	14.50	12.20	42,500	27,400	3.46	2.42	8.20	C33-60D		5432269
XP14-042-230	43,000	15.20	13.00	41,500	26,400	3.92	2.74	9.50	C33-62C	EL180UH090E60C	5740250
XP14-042-230	43,000	15.20	13.00	41,500	26,400	3.90	2.74	9.50	C33-62C	EL180UH110E60C	5740709
XP14-042-230	43,500	15.50	13.00	42,500	27,000	3.56	2.58	8.70	C33-62C	EL195UH090XE48C	5432425
XP14-042-230	44,000	15.50	13.00	43,000	27,200	3.64	2.60	8.70	C33-62C	EL195UH110XE60C	5432436
XP14-042-230	43,500	15.50	13.00	42,500	27,000	3.56	2.58	8.70	C33-62C	EL296UH090XE48C	5650789
XP14-042-230	43,500	15.70	13.00	42,500	27,000	3.56	2.60	8.70	C33-62C	EL296UH090XV36C	5562828
XP14-042-230	43,500	15.70	13.20	42,500	27,000	3.60	2.62	8.70	C33-62C	EL296UH090XV48C	5562829
XP14-042-230	44,000	15.70	13.00	42,500	27,200	3.62	2.62	8.70	C33-62C	EL296UH090XV60C	5562840
XP14-042-230	44,000	15.50	13.00	43,000	27,200	3.64	2.60	8.70	C33-62C	EL296UH110XE60C	5650802
XP14-042-230	44,000	15.70	13.20	42,500	27,000	3.62	2.62	8.70	C33-62C	EL296UH110XV48C	5562850
XP14-042-230	44,000	15.70	13.20	42,500	27,000	3.62	2.64	8.70	C33-62C	EL296UH110XV60C	5562861
XP14-042-230	44,000	16.00	13.00	42,500	26,800	3.68	2.64	8.50	C33-62C	SL280UH090V60C	5432319
XP14-042-230	44,000	16.00	13.00	42,500	26,800	3.68	2.64	8.50	C33-62C	SL280UH090XV60C	8133237
XP14-042-230	43,500	15.70	13.00	42,500	27,000	3.60	2.60	8.70	C33-62C	SL280UH110V60C	5432320
XP14-042-230	43,500	15.70	13.00	42,500	27,000	3.60	2.60	8.70	C33-62C	SL280UH110XV60C	8133264
XP14-042-230	43,500	15.70	13.00	42,500	27,000	3.56	2.60	8.70	C33-62C	SLP98UH090XV36C	5432453
XP14-042-230	43,500	15.70	13.20	42,500	27,000	3.60	2.62	8.70	C33-62C	SLP98UH090XV48C	5432454
XP14-042-230	44,000	15.70	13.00	42,500	27,200	3.62	2.62	8.70	C33-62C	SLP98UH090XV60C	5432455
XP14-042-230	44,000	15.70	13.20	42,500	27,000	3.62	2.64	8.70	C33-62C	SLP98UH110XV60C	5432456
XP14-042-230	43,000	14.70	12.20	43,000	27,600	3.44	2.50	8.50	C33-62C		5432270
XP14-042-230	43,000	15.20	13.00	41,500	26,200	3.84	2.68	9.20	C33-62D	EL180UH135E60D	5741083
XP14-042-230	43,500	15.00	13.00	42,000	27,000	3.64	2.50	8.70	C33-62D	EL195UH135XE60D	5432446
XP14-042-230	43,500	15.00	13.00	42,000	27,000	3.64	2.50	8.70	C33-62D	EL296UH135XE60D	5650777
XP14-042-230	43,500	15.50	13.00	42,000	27,000	3.72	2.56	8.70	C33-62D	EL296UH135XV60D	5562870
XP14-042-230	43,500	15.70	13.20	41,500	26,800	3.70	2.56	8.70	C33-62D	SL280UH135V60D	5432322
XP14-042-230	43,500	15.50	13.20	41,500	26,800	3.70	2.56	8.70	C33-62D	SLP98UH135XV60D	5432457
XP14-042-230	43,000	14.20	12.20	42,500	27,600	3.52	2.44	8.50	C33-62D		5432271
XP14-042-230	44,000	15.50	13.20	41,500	26,600	3.60	2.48	8.50	C37-49C	EL180UH090E60C	10084681
XP14-042-230	44,000	15.50	13.20	41,500	26,600	3.58	2.48	8.50	C37-49C	EL180UH110E60C	10084724
XP14-042-230	42,000	14.70	12.70	41,000	26,000	3.66	2.58	9.00	C37-49C	EL195UH090XE48C	10084434
XP14-042-230	42,500	14.70	12.70	41,500	26,400	3.74	2.62	9.00	C37-49C	EL195UH110XE60C	10084457
XP14-042-230	42,000	14.70	12.70	41,000	26,000	3.66	2.58	9.00	C37-49C	EL296UH090XE48C	10084641
XP14-042-230	43,500	15.50	13.00	41,500	26,600	3.56	2.46	8.50	C37-49C	EL296UH090XV36C	10084531
XP14-042-230	43,500	15.50	13.20	41,500	26,600	3.58	2.48	8.50	C37-49C	EL296UH090XV48C	10084587
XP14-042-230	44,000	15.50	13.00	42,000	26,800	3.64	2.48	8.70	C37-49C	EL296UH090XV60C	10084570
XP14-042-230	42,500	14.70	12.70	41,500	26,400	3.74	2.62	9.00	C37-49C	EL296UH110XE60C	10084628
XP14-042-230	44,000	15.70	13.20	41,500	26,600	3.60	2.48	8.70	C37-49C	EL296UH110XV48C	10084555
XP14-042-230	44,000	15.70	13.20	41,500	26,600	3.60	2.48	8.70	C37-49C	EL296UH110XV60C	10084567
XP14-042-230	44,000	15.70	13.20	41,500	26,600	3.64	2.52	8.70	C37-49C	SL280UH090V60C	10084427
XP14-042-230	44,000	15.70	13.20	41,500	26,600	3.64	2.52	8.70	C37-49C	SL280UH090XV60C	10085029
XP14-042-230	44,000	15.50	13.20	41,500	26,800	3.58	2.48	8.50	C37-49C	SL280UH110V60C	10084428

**NOTES:**

Ratings are AHRI certified to AHRI Standard 210/240 (with 25 ft. of connecting refrigerant lines);

- Cooling Ratings - 95°F outdoor air temperature and 80°F db/67°F wb entering indoor coil air.
- High Temperature Heating Ratings - 47°F db/43°F wb outdoor air temperature and 70°F db entering indoor coil air.
- Low Temperature Heating Ratings - 17°F db/15°F wb outdoor air temperature and 70°F db entering indoor coil air.

All ratings include the use of a blower time delay relay (TDR). All Lennox variable-speed Furnaces and Air Handlers have time delay capabilities. Other Furnaces and Air Handlers may require an optional time delay relay (**58M81**) for field installation. See furnace or air handler specifications to determine if relay is needed.

Also see TXV Substitution Table at the beginning of the Heat Pump AHRI System Matches section.

When used with gas furnaces, a dual-fuel control, a control system with dual-fuel capabilities (LZP-2 or LZP-4), or a thermostat with dual-fuel capabilities must be used (ordered extra).

To convert HSPF from Region IV to Region V - Divide by 1.15.

## AHRI SYSTEM MATCHES

Model No.	Cooling Capacity	SEER	EER	Heat Capacity		Heat COP		HSPF (IV)	Coil or Air Handler	Furnace	AHRI Reference
				High	Low	High	Low				
XP14-042-230	44,000	15.50	13.20	41,500	26,800	3.58	2.48	8.50	C37-49C	SL280UH110XV60C	10085044
XP14-042-230	43,500	15.50	13.00	41,500	26,600	3.56	2.46	8.50	C37-49C	SLP98UH090XV36C	10084446
XP14-042-230	43,500	15.50	13.20	41,500	26,600	3.58	2.48	8.50	C37-49C	SLP98UH090XV48C	10084460
XP14-042-230	44,000	15.50	13.00	42,000	26,800	3.64	2.48	8.70	C37-49C	SLP98UH090XV60C	10084453
XP14-042-230	44,000	15.70	13.20	41,500	26,600	3.60	2.48	8.70	C37-49C	SLP98UH110XV60C	10084438
XP14-042-230	43,500	14.50	12.20	42,000	27,400	3.42	2.40	8.20	C37-49C		10084104
XP14-042-230	41,000	14.50	12.20	41,000	26,000	3.58	2.54	8.70	C37-50/60C	EL195UH090XE48C	10084442
XP14-042-230	42,000	14.50	12.50	41,500	26,200	3.66	2.56	8.70	C37-50/60C	EL195UH110XE60C	10084444
XP14-042-230	41,000	14.50	12.20	41,000	26,000	3.58	2.54	8.70	C37-50/60C	EL296UH090XE48C	10084642
XP14-042-230	42,000	14.50	12.50	41,500	26,200	3.66	2.56	8.70	C37-50/60C	EL296UH110XE60C	10084627
XP14-042-230	44,000	15.70	13.20	42,000	26,800	3.66	2.54	8.70	C37-50/60C	EL296UH135XV60D	10084538
XP14-042-230	42,500	15.00	12.70	41,500	26,200	3.82	2.66	9.20	C37-60D	EL180UH135E60D	10084721
XP14-042-230	44,000	15.20	13.00	42,000	27,000	3.60	2.50	8.70	C37-60D	EL195UH135XE60D	10084451
XP14-042-230	44,000	15.20	13.00	42,000	27,000	3.60	2.50	8.70	C37-60D	EL296UH135XE60D	10084614
XP14-042-230	44,000	15.70	13.50	41,500	26,600	3.64	2.54	8.70	C37-60D	SL280UH135V60D	10084430
XP14-042-230	44,000	15.70	13.20	41,500	26,800	3.64	2.56	8.70	C37-60D	SLP98UH135XV60D	10084447
XP14-042-230	43,000	14.50	12.20	42,500	27,400	3.46	2.42	8.20	C37-60D		10084105
XP14-042-230	43,000	15.20	13.00	41,500	26,400	3.92	2.74	9.50	C37-62C	EL180UH090E60C	10084678
XP14-042-230	43,000	15.20	13.00	41,500	26,400	3.90	2.74	9.50	C37-62C	EL180UH110E60C	10084707
XP14-042-230	43,500	15.50	13.00	42,500	27,000	3.56	2.58	8.70	C37-62C	EL195UH090XE48C	10084448
XP14-042-230	44,000	15.50	13.00	43,000	27,200	3.64	2.60	8.70	C37-62C	EL195UH110XE60C	10084459
XP14-042-230	43,500	15.50	13.00	42,500	27,000	3.56	2.58	8.70	C37-62C	EL296UH090XE48C	10084608
XP14-042-230	43,500	15.70	13.00	42,500	27,000	3.56	2.60	8.70	C37-62C	EL296UH090XV36C	10084544
XP14-042-230	43,500	15.70	13.20	42,500	27,000	3.60	2.62	8.70	C37-62C	EL296UH090XV48C	10084529
XP14-042-230	44,000	15.70	13.00	42,500	27,200	3.62	2.62	8.70	C37-62C	EL296UH090XV60C	10084557
XP14-042-230	44,000	15.50	13.00	43,000	27,200	3.64	2.60	8.70	C37-62C	EL296UH110XE60C	10084604
XP14-042-230	44,000	15.70	13.20	42,500	27,000	3.62	2.62	8.70	C37-62C	EL296UH110XV48C	10084566
XP14-042-230	44,000	15.70	13.20	42,500	27,000	3.62	2.64	8.70	C37-62C	EL296UH110XV60C	10084537
XP14-042-230	44,000	16.00	13.00	42,500	26,800	3.68	2.64	8.50	C37-62C	SL280UH090V60C	10084431
XP14-042-230	44,000	16.00	13.00	42,500	26,800	3.68	2.64	8.50	C37-62C	SL280UH090XV60C	10085030
XP14-042-230	43,500	15.70	13.00	42,500	27,000	3.60	2.60	8.70	C37-62C	SL280UH110V60C	10084429
XP14-042-230	43,500	15.70	13.00	42,500	27,000	3.60	2.60	8.70	C37-62C	SL280UH110XV60C	10085045
XP14-042-230	43,500	15.70	13.00	42,500	27,000	3.56	2.60	8.70	C37-62C	SLP98UH090XV36C	10084452
XP14-042-230	43,500	15.70	13.20	42,500	27,000	3.60	2.62	8.70	C37-62C	SLP98UH090XV48C	10084437
XP14-042-230	44,000	15.70	13.00	42,500	27,200	3.62	2.62	8.70	C37-62C	SLP98UH090XV60C	10084440
XP14-042-230	44,000	15.70	13.20	42,500	27,000	3.62	2.64	8.70	C37-62C	SLP98UH110XV60C	10084443
XP14-042-230	43,000	14.70	12.20	43,000	27,600	3.44	2.50	8.50	C37-62C		10084100
XP14-042-230	43,000	15.20	13.00	41,500	26,200	3.84	2.68	9.20	C37-62D	EL180UH135E60D	10084716
XP14-042-230	43,500	15.00	13.00	42,000	27,000	3.64	2.50	8.70	C37-62D	EL195UH135XE60D	10084436
XP14-042-230	43,500	15.00	13.00	42,000	27,000	3.64	2.50	8.70	C37-62D	EL296UH135XE60D	10084664
XP14-042-230	43,500	15.50	13.00	42,000	27,000	3.72	2.56	8.70	C37-62D	EL296UH135XV60D	10084580
XP14-042-230	43,500	15.70	13.20	41,500	26,800	3.70	2.56	8.70	C37-62D	SL280UH135V60D	10084450
XP14-042-230	43,500	15.50	13.20	41,500	26,800	3.70	2.56	8.70	C37-62D	SLP98UH135XV60D	10084449
XP14-042-230	43,000	14.20	12.20	42,500	27,600	3.52	2.44	8.50	C37-62D		10084102
XP14-042-230	42,000	15.00	12.50	42,000	27,400	3.58	2.50	8.50	CBA27UHE-042		10260314
XP14-042-230	42,500	15.00	12.50	42,000	27,000	3.58	2.56	8.50	CBA27UHE-048		10260315
XP14-042-230	42,500	14.00	12.00	45,500	28,200	3.66	2.58	8.20	CBX25UH-042		5727006

### NOTES:

Ratings are AHRI certified to AHRI Standard 210/240 (with 25 ft. of connecting refrigerant lines);

- Cooling Ratings - 95°F outdoor air temperature and 80°F db/67°F wb entering indoor coil air.

- High Temperature Heating Ratings - 47°F db/43°F wb outdoor air temperature and 70°F db entering indoor coil air.

- Low Temperature Heating Ratings - 17°F db/15°F wb outdoor air temperature and 70°F db entering indoor coil air.

All ratings include the use of a blower time delay relay (TDR). All Lennox variable-speed Furnaces and Air Handlers have time delay capabilities. Other Furnaces and Air Handlers may require an optional time delay relay (**58M81**) for field installation. See furnace or air handler specifications to determine if relay is needed.

Also see TXV Substitution Table at the beginning of the Heat Pump AHRI System Matches section.

When used with gas furnaces, a dual-fuel control, a control system with dual-fuel capabilities (LZP-2 or LZP-4), or a thermostat with dual-fuel capabilities must be used (ordered extra).

To convert HSPF from Region IV to Region V - Divide by 1.15.



## AHRI SYSTEM MATCHES

Model No.	Cooling Capacity	SEER	EER	Heat Capacity		Heat High	COP Low	HSPF (IV)	Coil or Air Handler	Furnace	AHRI Reference
				High	Low						
XP14-042-230	42,000	15.50	13.00	44,500	27,400	3.86	2.68	8.50	CBX25UHV-042		6970219
XP14-042-230	43,500	15.50	13.00	43,500	27,400	3.70	2.62	9.00	CBX27UH-042		5432324
XP14-042-230	43,000	15.00	12.50	43,000	27,200	3.68	2.62	8.50	CBX27UH-048		5491435
XP14-042-230	43,000	14.50	12.50	44,000	27,800	3.58	2.54	8.70	CBX32M-048		5432325
XP14-042-230	43,500	15.50	13.00	43,500	27,400	3.68	2.62	8.70	CBX32MV-048		5432326
XP14-042-230	43,000	15.20	12.70	43,500	27,400	3.64	2.60	8.70	CBX40UHV-042		5432327
XP14-042-230	43,500	15.50	13.00	43,500	27,400	3.68	2.62	8.70	CBX40UHV-048		5432328
XP14-042-230	44,000	15.70	13.20	42,500	27,400	3.90	2.68	9.20	CH23-68	EL180UH090E60C	5740255
XP14-042-230	44,000	15.50	13.20	42,500	27,400	3.90	2.66	9.20	CH23-68	EL180UH110E60C	5740703
XP14-042-230	44,000	15.70	13.20	42,500	27,400	3.92	2.68	9.20	CH23-68	EL180UH135E60D	5741082
XP14-042-230	43,500	15.20	13.00	42,500	27,400	3.84	2.64	9.20	CH23-68	EL195UH090XE48C	5432426
XP14-042-230	44,000	15.20	13.00	42,500	27,600	3.88	2.66	9.20	CH23-68	EL195UH110XE60C	5432437
XP14-042-230	44,000	15.20	13.00	42,500	27,600	3.86	2.64	9.20	CH23-68	EL195UH135XE60D	5432447
XP14-042-230	43,500	15.20	13.00	42,500	27,400	3.84	2.64	9.20	CH23-68	EL296UH090XE48C	5650797
XP14-042-230	44,000	15.20	13.00	42,500	27,600	3.88	2.66	9.20	CH23-68	EL296UH110XE60C	5650795
XP14-042-230	44,000	15.20	13.00	42,500	27,600	3.86	2.64	9.20	CH23-68	EL296UH135XE60D	5650780
XP14-042-230	44,000	15.70	13.20	42,500	27,400	3.94	2.70	9.50	CH23-68	EL296UH135XV60D	5562871
XP14-042-230	44,000	16.00	13.00	42,500	27,200	3.98	2.70	9.50	CH23-68	SL280UH135V60D	5432333
XP14-042-230	44,000	15.70	13.20	42,500	27,400	3.96	2.72	9.50	CH23-68	SLP98UH135XV60D	5432458
XP14-042-230	43,500	14.50	12.20	43,000	28,000	3.72	2.56	9.00	CH23-68		5432272
XP14-042-230	44,000	15.20	13.00	42,500	27,200	3.56	2.52	8.70	CH33-43B	EL180UH090E48B	5742391
XP14-042-230	43,500	14.70	12.70	42,500	27,400	3.48	2.50	8.50	CH33-43B	EL296UH045XV36B	5562816
XP14-042-230	43,500	14.70	12.50	42,500	27,400	3.48	2.48	8.50	CH33-43B	EL296UH070XV36B	5562818
XP14-042-230	44,000	15.50	13.00	42,500	27,200	3.60	2.56	8.70	CH33-43B	SL280UH090V36B	5532488
XP14-042-230	44,000	15.20	13.00	42,500	27,200	3.60	2.54	8.70	CH33-43B	SL280UH090V48B	5432288
XP14-042-230	44,000	15.20	13.00	42,500	27,200	3.60	2.54	8.70	CH33-43B	SL280UH090XV48B	8133222
XP14-042-230	43,500	14.70	12.50	42,500	27,400	3.48	2.48	8.50	CH33-43B	SLP98UH070XV36B	5432466
XP14-042-230	43,500	14.50	12.20	43,000	27,600	3.48	2.46	8.50	CH33-43B		5432266
XP14-042-230	43,000	15.20	13.00	42,500	26,800	3.44	2.48	8.20	CH33-43C	EL180UH090E60C	5740248
XP14-042-230	43,000	15.20	13.00	42,000	26,800	3.40	2.48	8.20	CH33-43C	EL180UH110E60C	5740712
XP14-042-230	42,500	15.00	12.70	42,000	26,800	3.34	2.44	8.20	CH33-43C	EL195UH090XE48C	5432427
XP14-042-230	43,000	15.00	12.70	42,500	27,000	3.44	2.48	8.20	CH33-43C	EL195UH110XE60C	5432438
XP14-042-230	42,500	15.00	12.70	42,000	26,800	3.34	2.44	8.20	CH33-43C	EL296UH090XE48C	5650785
XP14-042-230	42,500	15.20	12.70	42,500	26,800	3.40	2.46	8.20	CH33-43C	EL296UH090XV36C	5562820
XP14-042-230	42,500	15.20	12.70	42,500	26,800	3.42	2.48	8.20	CH33-43C	EL296UH090XV48C	5562836
XP14-042-230	43,000	15.20	12.70	42,500	27,000	3.44	2.50	8.20	CH33-43C	EL296UH090XV60C	5562839
XP14-042-230	43,000	15.00	12.70	42,500	27,000	3.44	2.48	8.20	CH33-43C	EL296UH110XE60C	5650776
XP14-042-230	43,000	15.20	13.00	42,500	26,800	3.44	2.48	8.20	CH33-43C	EL296UH110XV48C	5562849
XP14-042-230	43,000	15.20	13.00	42,500	26,800	3.44	2.50	8.20	CH33-43C	EL296UH110XV60C	5562860
XP14-042-230	43,000	15.50	13.00	42,500	26,800	3.50	2.52	8.50	CH33-43C	SL280UH090V60C	5432339
XP14-042-230	43,000	15.50	13.00	42,500	26,800	3.50	2.52	8.50	CH33-43C	SL280UH090XV60C	8133238
XP14-042-230	42,500	15.20	12.70	42,500	26,800	3.42	2.48	8.20	CH33-43C	SL280UH110V60C	5432340
XP14-042-230	42,500	15.20	12.70	42,500	26,800	3.42	2.48	8.20	CH33-43C	SL280UH110XV60C	8133265
XP14-042-230	42,500	15.20	12.70	42,500	26,800	3.40	2.46	8.20	CH33-43C	SLP98UH090XV36C	5432459
XP14-042-230	42,500	15.20	12.70	42,500	26,800	3.42	2.48	8.20	CH33-43C	SLP98UH090XV48C	5432460
XP14-042-230	43,000	15.20	12.70	42,500	27,000	3.44	2.50	8.20	CH33-43C	SLP98UH090XV60C	5432461
XP14-042-230	43,000	15.20	13.00	42,500	26,800	3.44	2.50	8.20	CH33-43C	SLP98UH110XV60C	5432462

**NOTES:**

Ratings are AHRI certified to AHRI Standard 210/240 (with 25 ft. of connecting refrigerant lines);

- Cooling Ratings - 95°F outdoor air temperature and 80°F db/67°F wb entering indoor coil air.
- High Temperature Heating Ratings - 47°F db/43°F wb outdoor air temperature and 70°F db entering indoor coil air.
- Low Temperature Heating Ratings - 17°F db/15°F wb outdoor air temperature and 70°F db entering indoor coil air.

All ratings include the use of a blower time delay relay (TDR). All Lennox variable-speed Furnaces and Air Handlers have time delay capabilities. Other Furnaces and Air Handlers may require an optional time delay relay (**58M81**) for field installation. See furnace or air handler specifications to determine if relay is needed.

Also see TXV Substitution Table at the beginning of the Heat Pump AHRI System Matches section.

When used with gas furnaces, a dual-fuel control, a control system with dual-fuel capabilities (LZP-2 or LZP-4), or a thermostat with dual-fuel capabilities must be used (ordered extra).

To convert HSPF from Region IV to Region V - Divide by 1.15.

## AHRI SYSTEM MATCHES

Model No.	Cooling Capacity	SEER	EER	Heat Capacity		Heat COP		HSPF (IV)	Coil or Air Handler	Furnace	AHRI Reference
				High	Low	High	Low				
XP14-042-230	42,000	14.70	12.50	42,500	27,000	3.46	2.48	8.50	CH33-44/48	EL180UH090E48B	5742392
XP14-042-230	41,500	14.20	12.20	42,500	27,200	3.38	2.46	8.20	CH33-44/48	EL296UH045XV36B	5562815
XP14-042-230	41,500	14.20	12.20	42,500	27,200	3.36	2.46	8.20	CH33-44/48	EL296UH070XV36B	5562817
XP14-042-230	42,000	14.70	12.70	42,500	27,000	3.48	2.52	8.50	CH33-44/48	SL280UH090V36B	5532487
XP14-042-230	42,000	14.70	12.50	42,500	27,000	3.48	2.52	8.50	CH33-44/48	SL280UH090V48B	5432345
XP14-042-230	42,000	14.70	12.50	42,500	27,000	3.48	2.52	8.50	CH33-44/48	SL280UH090XV48B	8133223
XP14-042-230	41,500	14.20	12.20	42,500	27,200	3.36	2.46	8.20	CH33-44/48	SLP98UH070XV36B	5432465
XP14-042-230	41,500	14.00	11.70	43,000	27,600	3.36	2.44	8.20	CH33-44/48		5432276
XP14-042-230	42,500	15.00	12.70	42,000	26,800	3.34	2.44	8.20	CH33-48C	EL180UH090E60C	5740256
XP14-042-230	42,000	15.00	12.70	42,000	26,800	3.32	2.44	8.20	CH33-48C	EL180UH110E60C	5740710
XP14-042-230	42,000	14.70	12.50	42,000	26,800	3.28	2.42	8.20	CH33-48C	EL195UH090XE48C	5432428
XP14-042-230	42,500	14.70	12.50	42,500	27,000	3.38	2.44	8.20	CH33-48C	EL195UH110XE60C	5432439
XP14-042-230	42,000	14.70	12.50	42,000	26,800	3.28	2.42	8.20	CH33-48C	EL296UH090XE48C	5650801
XP14-042-230	42,000	14.70	12.50	42,500	26,800	3.34	2.42	8.20	CH33-48C	EL296UH090XV36C	5562822
XP14-042-230	42,500	15.00	12.70	42,500	26,800	3.38	2.44	8.20	CH33-48C	EL296UH090XV48C	5562832
XP14-042-230	42,500	14.70	12.50	42,500	27,000	3.38	2.46	8.20	CH33-48C	EL296UH090XV60C	5562844
XP14-042-230	42,500	14.70	12.50	42,500	27,000	3.38	2.44	8.20	CH33-48C	EL296UH110XE60C	5650779
XP14-042-230	42,500	15.00	12.70	42,500	26,800	3.40	2.44	8.20	CH33-48C	EL296UH110XV48C	5562856
XP14-042-230	42,500	15.00	12.70	42,500	26,800	3.38	2.44	8.20	CH33-48C	EL296UH110XV60C	5562863
XP14-042-230	42,500	15.20	12.70	42,500	26,800	3.42	2.46	8.20	CH33-48C	SL280UH090V60C	5432358
XP14-042-230	42,500	15.20	12.70	42,500	26,800	3.42	2.46	8.20	CH33-48C	SL280UH090XV60C	8133239
XP14-042-230	42,500	15.00	12.70	42,500	26,800	3.38	2.44	8.20	CH33-48C	SL280UH110V60C	5432359
XP14-042-230	42,500	15.00	12.70	42,500	26,800	3.38	2.44	8.20	CH33-48C	SL280UH110XV60C	8133266
XP14-042-230	42,000	14.70	12.50	42,500	26,800	3.34	2.42	8.20	CH33-48C	SLP98UH090XV36C	5432476
XP14-042-230	42,500	15.00	12.70	42,500	26,800	3.38	2.44	8.20	CH33-48C	SLP98UH090XV48C	5432477
XP14-042-230	42,500	14.70	12.50	42,500	27,000	3.38	2.46	8.20	CH33-48C	SLP98UH090XV60C	5432478
XP14-042-230	42,500	15.00	12.70	42,500	26,800	3.38	2.44	8.20	CH33-48C	SLP98UH110XV60C	5432479
XP14-042-230	43,500	15.20	13.00	42,000	26,800	3.62	2.52	8.70	CH33-49	EL180UH090E60C	5740251
XP14-042-230	43,000	15.20	13.00	42,000	26,800	3.60	2.50	8.70	CH33-49	EL180UH110E60C	5740706
XP14-042-230	43,000	15.00	12.70	42,000	26,800	3.56	2.48	8.50	CH33-49	EL195UH090XE48C	5432429
XP14-042-230	43,500	15.20	12.70	42,500	27,000	3.64	2.50	8.70	CH33-49	EL195UH110XE60C	5432440
XP14-042-230	43,000	15.00	12.70	42,000	26,800	3.56	2.48	8.50	CH33-49	EL296UH090XE48C	5650794
XP14-042-230	43,500	15.20	13.00	42,000	27,000	3.58	2.52	8.70	CH33-49	EL296UH090XV36C	5562824
XP14-042-230	43,500	15.20	13.00	42,000	26,800	3.62	2.52	8.70	CH33-49	EL296UH090XV48C	5562834
XP14-042-230	44,000	15.20	13.00	42,500	27,200	3.66	2.56	8.70	CH33-49	EL296UH090XV60C	5562847
XP14-042-230	43,500	15.20	12.70	42,500	27,000	3.64	2.50	8.70	CH33-49	EL296UH110XE60C	5650783
XP14-042-230	43,500	15.20	13.00	42,000	26,800	3.64	2.52	8.70	CH33-49	EL296UH110XV48C	5562853
XP14-042-230	43,500	15.20	13.00	42,000	26,800	3.64	2.52	8.70	CH33-49	EL296UH110XV60C	5562867
XP14-042-230	44,000	15.50	13.20	42,000	27,000	3.66	2.56	8.70	CH33-49	SL280UH090V60C	5432367
XP14-042-230	44,000	15.50	13.20	42,000	27,000	3.66	2.56	8.70	CH33-49	SL280UH090XV60C	8133240
XP14-042-230	43,500	15.20	13.00	42,000	27,000	3.62	2.54	8.70	CH33-49	SL280UH110V60C	5432368
XP14-042-230	43,500	15.20	13.00	42,000	27,000	3.62	2.54	8.70	CH33-49	SL280UH110XV60C	8133267
XP14-042-230	43,500	15.20	13.00	42,000	27,000	3.58	2.52	8.70	CH33-49	SLP98UH090XV36C	5432480
XP14-042-230	43,500	15.20	13.00	42,000	26,800	3.62	2.52	8.70	CH33-49	SLP98UH090XV48C	5432481
XP14-042-230	44,000	15.20	13.00	42,500	27,200	3.66	2.56	8.70	CH33-49	SLP98UH090XV60C	5432482
XP14-042-230	43,500	15.20	13.00	42,000	26,800	3.64	2.52	8.70	CH33-49	SLP98UH110XV60C	5432483
XP14-042-230	43,000	14.20	12.20	42,500	27,400	3.50	2.44	8.50	CH33-49		5432278

### NOTES:

Ratings are AHRI certified to AHRI Standard 210/240 (with 25 ft. of connecting refrigerant lines);

- Cooling Ratings - 95°F outdoor air temperature and 80°F db/67°F wb entering indoor coil air.

- High Temperature Heating Ratings - 47°F db/43°F wb outdoor air temperature and 70°F db entering indoor coil air.

- Low Temperature Heating Ratings - 17°F db/15°F wb outdoor air temperature and 70°F db entering indoor coil air.

All ratings include the use of a blower time delay relay (TDR). All Lennox variable-speed Furnaces and Air Handlers have time delay capabilities. Other Furnaces and Air Handlers may require an optional time delay relay (**58M81**) for field installation. See furnace or air handler specifications to determine if relay is needed.

Also see TXV Substitution Table at the beginning of the Heat Pump AHRI System Matches section.

When used with gas furnaces, a dual-fuel control, a control system with dual-fuel capabilities (LZP-2 or LZP-4), or a thermostat with dual-fuel capabilities must be used (ordered extra).

To convert HSPF from Region IV to Region V - Divide by 1.15.

## AHRI SYSTEM MATCHES

Model No.	Cooling Capacity	SEER	EER	Heat Capacity		Heat High	COP Low	HSPF (IV)	Coil or Air Handler	Furnace	AHRI Reference
				High	Low						
XP14-042-230	43,000	15.20	12.70	42,000	26,800	3.60	2.50	8.70	CH33-50/60C	EL180UH090E60C	5740249
XP14-042-230	43,000	15.20	13.00	42,000	26,800	3.58	2.50	8.50	CH33-50/60C	EL180UH110E60C	5740708
XP14-042-230	43,000	15.00	12.70	42,000	26,800	3.54	2.48	8.50	CH33-50/60C	EL195UH090XE48C	5432430
XP14-042-230	43,500	15.00	12.70	42,000	27,000	3.58	2.50	8.50	CH33-50/60C	EL195UH110XE60C	5432441
XP14-042-230	43,000	15.00	12.70	42,000	26,800	3.54	2.48	8.50	CH33-50/60C	EL296UH090XE48C	5650775
XP14-042-230	43,000	15.20	12.70	42,500	27,200	3.50	2.48	8.50	CH33-50/60C	EL296UH090XV36C	5562827
XP14-042-230	43,500	15.20	13.00	42,500	27,200	3.52	2.50	8.50	CH33-50/60C	EL296UH090XV48C	5562837
XP14-042-230	43,500	15.20	12.70	42,500	27,400	3.54	2.52	8.50	CH33-50/60C	EL296UH090XV60C	5562843
XP14-042-230	43,500	15.00	12.70	42,000	27,000	3.58	2.50	8.50	CH33-50/60C	EL296UH110XE60C	5650791
XP14-042-230	43,500	15.20	13.00	42,500	27,200	3.54	2.50	8.50	CH33-50/60C	EL296UH110XV48C	5562858
XP14-042-230	43,500	15.20	13.00	42,500	27,200	3.54	2.50	8.50	CH33-50/60C	EL296UH110XV60C	5562865
XP14-042-230	43,500	15.50	13.00	42,500	27,200	3.58	2.54	8.70	CH33-50/60C	SL280UH090V60C	5432376
XP14-042-230	43,500	15.50	13.00	42,500	27,200	3.58	2.54	8.70	CH33-50/60C	SL280UH090XV60C	8133241
XP14-042-230	43,500	15.20	13.00	42,500	27,200	3.52	2.50	8.50	CH33-50/60C	SL280UH110V60C	5432377
XP14-042-230	43,500	15.20	13.00	42,500	27,200	3.52	2.50	8.50	CH33-50/60C	SL280UH110XV60C	8133268
XP14-042-230	43,000	15.20	12.70	42,500	27,200	3.50	2.48	8.50	CH33-50/60C	SLP98UH090XV36C	5432484
XP14-042-230	43,500	15.20	13.00	42,500	27,200	3.52	2.50	8.50	CH33-50/60C	SLP98UH090XV48C	5432485
XP14-042-230	43,500	15.20	12.70	42,500	27,400	3.54	2.52	8.50	CH33-50/60C	SLP98UH090XV60C	5432486
XP14-042-230	43,500	15.20	13.00	42,500	27,200	3.54	2.50	8.50	CH33-50/60C	SLP98UH110XV60C	5432487
XP14-042-230	43,000	14.20	12.20	43,000	27,800	3.40	2.42	8.20	CH33-50/60C		5432279
XP14-042-230	44,500	15.70	13.20	42,500	27,000	3.56	2.52	8.50	CH33-60D	EL180UH135E60D	5741084
XP14-042-230	44,000	15.20	13.00	42,500	27,200	3.50	2.50	8.50	CH33-60D	EL195UH135XE60D	5432448
XP14-042-230	44,000	15.20	13.00	42,500	27,200	3.50	2.50	8.50	CH33-60D	EL296UH135XE60D	5650784
XP14-042-230	44,500	15.70	13.20	42,500	27,000	3.58	2.54	8.70	CH33-60D	EL296UH135XV60D	5562875
XP14-042-230	44,000	16.00	13.00	42,000	26,800	3.54	2.54	8.50	CH33-60D	SL280UH135V60D	5432348
XP14-042-230	44,000	15.70	13.20	42,500	26,800	3.58	2.52	8.70	CH33-60D	SLP98UH135XV60D	5432463
XP14-042-230	43,500	14.50	12.20	43,000	27,600	3.36	2.42	8.20	CH33-60D		5432274
XP14-042-230	42,500	15.00	12.70	41,500	26,200	3.78	2.66	9.20	CH33-62D	EL180UH135E60D	5741085
XP14-042-230	42,500	14.70	12.70	41,500	26,400	3.72	2.62	8.70	CH33-62D	EL195UH135XE60D	5432449
XP14-042-230	42,500	14.70	12.70	41,500	26,400	3.72	2.62	8.70	CH33-62D	EL296UH135XE60D	5650792
XP14-042-230	43,500	15.50	13.00	42,000	26,800	3.64	2.54	8.70	CH33-62D	EL296UH135XV60D	5562874
XP14-042-230	43,500	15.70	13.20	41,500	26,600	3.60	2.54	8.70	CH33-62D	SL280UH135V60D	5432350
XP14-042-230	43,500	15.70	13.20	42,000	26,800	3.64	2.54	8.70	CH33-62D	SLP98UH135XV60D	5432464
XP14-042-230	43,000	14.20	12.20	42,500	27,400	3.42	2.40	8.20	CH33-62D		5432275
XP14-042-230	44,500	15.50	13.20	43,000	27,000	3.76	2.62	9.00	CR33-50/60	EL180DF110E60C	5741636
XP14-042-230	44,000	15.20	13.00	43,000	27,200	3.68	2.60	8.70	CR33-50/60	EL195DF090XE48C	5432421
XP14-042-230	44,500	15.20	13.00	43,500	27,200	3.78	2.62	9.00	CR33-50/60	EL195DF110XE60C	5432422
XP14-042-230	44,000	15.20	13.00	43,000	27,200	3.68	2.60	8.70	CR33-50/60	EL296DF090XE48C	5650793
XP14-042-230	44,500	15.20	13.00	43,500	27,200	3.76	2.62	9.00	CR33-50/60	EL296DF090XV60C	5562813
XP14-042-230	44,500	15.20	13.00	43,500	27,200	3.78	2.62	9.00	CR33-50/60	EL296DF110XE60C	5650774
XP14-042-230	44,500	15.50	13.20	43,000	27,200	3.76	2.64	9.00	CR33-50/60	EL296DF110XV60C	5562814
XP14-042-230	44,000	15.70	13.20	43,000	27,000	3.76	2.64	9.00	CR33-50/60	SL280DF090V60C	5432381
XP14-042-230	44,500	15.70	13.20	43,000	27,000	3.78	2.66	9.00	CR33-50/60	SL280DF110V60C	5432382
XP14-042-230	44,000	15.20	13.00	43,000	27,200	3.70	2.62	9.00	CR33-50/60	SLP98DF090XV36C	5432488
XP14-042-230	44,500	15.20	13.00	43,000	27,200	3.72	2.62	9.00	CR33-50/60	SLP98DF090XV48C	5432489
XP14-042-230	44,500	15.20	13.00	43,500	27,200	3.76	2.62	9.00	CR33-50/60	SLP98DF090XV60C	5432490
XP14-042-230	44,500	15.50	13.20	43,000	27,200	3.76	2.64	9.00	CR33-50/60	SLP98DF110XV60C	5432491

**NOTES:**

Ratings are AHRI certified to AHRI Standard 210/240 (with 25 ft. of connecting refrigerant lines);

- Cooling Ratings - 95°F outdoor air temperature and 80°F db/67°F wb entering indoor coil air.
- High Temperature Heating Ratings - 47°F db/43°F wb outdoor air temperature and 70°F db entering indoor coil air.
- Low Temperature Heating Ratings - 17°F db/15°F wb outdoor air temperature and 70°F db entering indoor coil air.

All ratings include the use of a blower time delay relay (TDR). All Lennox variable-speed Furnaces and Air Handlers have time delay capabilities. Other Furnaces and Air Handlers may require an optional time delay relay (**58M81**) for field installation. See furnace or air handler specifications to determine if relay is needed.

Also see TXV Substitution Table at the beginning of the Heat Pump AHRI System Matches section.

When used with gas furnaces, a dual-fuel control, a control system with dual-fuel capabilities (LZP-2 or LZP-4), or a thermostat with dual-fuel capabilities must be used (ordered extra).

To convert HSPF from Region IV to Region V - Divide by 1.15.

## AHRI SYSTEM MATCHES

Model No.	Cooling Capacity	SEER	EER	Heat Capacity		Heat COP		HSPF (IV)	Coil or Air Handler	Furnace	AHRI Reference
				High	Low	High	Low				
XP14-042-230	43,500	14.20	12.20	43,500	27,800	3.56	2.54	8.70	CR33-50/60		5432280
XP14-042-230	43,500	14.20	12.20	43,500	27,800	3.56	2.54	8.70	CR33-60		5432281
XP14-042-230	44,000	15.50	13.20	41,500	26,600	3.60	2.48	8.50	CX34-49	EL180UH090E60C	5740257
XP14-042-230	44,000	15.50	13.20	41,500	26,600	3.58	2.48	8.50	CX34-49	EL180UH110E60C	5740711
XP14-042-230	43,500	15.20	13.00	41,500	26,600	3.54	2.44	8.50	CX34-49	EL195UH090XE48C	5432431
XP14-042-230	44,000	15.20	13.00	42,000	27,000	3.62	2.48	8.50	CX34-49	EL195UH110XE60C	5432442
XP14-042-230	43,500	15.20	13.00	41,500	26,600	3.54	2.44	8.50	CX34-49	EL296UH090XE48C	5650778
XP14-042-230	43,500	15.50	13.00	41,500	26,600	3.56	2.46	8.50	CX34-49	EL296UH090XV36C	5562823
XP14-042-230	43,500	15.50	13.20	41,500	26,600	3.58	2.48	8.50	CX34-49	EL296UH090XV48C	5562833
XP14-042-230	44,000	15.50	13.00	42,000	26,800	3.64	2.48	8.70	CX34-49	EL296UH090XV60C	5562845
XP14-042-230	44,000	15.20	13.00	42,000	27,000	3.62	2.48	8.50	CX34-49	EL296UH110XE60C	5650799
XP14-042-230	44,000	15.70	13.20	41,500	26,600	3.60	2.48	8.70	CX34-49	EL296UH110XV48C	5562857
XP14-042-230	44,000	15.70	13.20	41,500	26,600	3.60	2.48	8.70	CX34-49	EL296UH110XV60C	5562864
XP14-042-230	44,000	15.70	13.20	41,500	26,600	3.64	2.52	8.70	CX34-49	SL280UH090V60C	5432390
XP14-042-230	44,000	15.70	13.20	41,500	26,600	3.64	2.52	8.70	CX34-49	SL280UH090XV60C	8133242
XP14-042-230	44,000	15.50	13.20	41,500	26,800	3.58	2.48	8.50	CX34-49	SL280UH110V60C	5432391
XP14-042-230	44,000	15.50	13.20	41,500	26,800	3.58	2.48	8.50	CX34-49	SL280UH110XV60C	8133269
XP14-042-230	43,500	15.50	13.00	41,500	26,600	3.56	2.46	8.50	CX34-49	SLP98UH090XV36C	5432492
XP14-042-230	43,500	15.50	13.20	41,500	26,600	3.58	2.48	8.50	CX34-49	SLP98UH090XV48C	5432493
XP14-042-230	44,000	15.50	13.00	42,000	26,800	3.64	2.48	8.70	CX34-49	SLP98UH090XV60C	5432494
XP14-042-230	44,000	15.70	13.20	41,500	26,600	3.60	2.48	8.70	CX34-49	SLP98UH110XV60C	5432495
XP14-042-230	43,500	14.50	12.20	42,000	27,400	3.42	2.40	8.20	CX34-49		5432282
XP14-042-230	42,500	15.00	12.70	41,500	26,200	3.82	2.66	9.20	CX34-60D	EL180UH135E60D	5741087
XP14-042-230	42,500	14.70	12.70	41,500	26,400	3.74	2.62	8.70	CX34-60D	EL195UH135XE60D	5432450
XP14-042-230	42,500	14.70	12.70	41,500	26,400	3.74	2.62	8.70	CX34-60D	EL296UH135XE60D	5650800
XP14-042-230	44,000	15.70	13.20	42,000	26,800	3.66	2.54	8.70	CX34-60D	EL296UH135XV60D	5562873
XP14-042-230	44,000	15.70	13.50	41,500	26,600	3.64	2.54	8.70	CX34-60D	SL280UH135V60D	5432402
XP14-042-230	44,000	15.70	13.20	41,500	26,800	3.64	2.56	8.70	CX34-60D	SLP98UH135XV60D	5432500
XP14-042-230	43,000	14.50	12.20	42,500	27,400	3.46	2.42	8.20	CX34-60D		5432284
XP14-042-230	43,000	15.20	13.00	41,500	26,400	3.92	2.74	9.50	CX34-62C	EL180UH090E60C	5740254
XP14-042-230	43,000	15.20	13.00	41,500	26,400	3.90	2.74	9.50	CX34-62C	EL180UH110E60C	5740713
XP14-042-230	43,000	15.00	13.00	41,500	26,400	3.86	2.70	8.70	CX34-62C	EL195UH090XE48C	5432433
XP14-042-230	43,500	15.20	13.00	42,000	26,600	3.94	2.72	8.70	CX34-62C	EL195UH110XE60C	5432444
XP14-042-230	43,000	15.00	13.00	41,500	26,400	3.86	2.70	8.70	CX34-62C	EL296UH090XE48C	5650790
XP14-042-230	43,500	15.70	13.00	42,500	27,000	3.56	2.60	8.70	CX34-62C	EL296UH090XV36C	5562826
XP14-042-230	43,500	15.70	13.20	42,500	27,000	3.60	2.62	8.70	CX34-62C	EL296UH090XV48C	5562838
XP14-042-230	44,000	15.70	13.00	42,500	27,200	3.62	2.62	8.70	CX34-62C	EL296UH090XV60C	5562846
XP14-042-230	43,500	15.20	13.00	42,000	26,600	3.94	2.72	8.70	CX34-62C	EL296UH110XE60C	5650803
XP14-042-230	44,000	15.70	13.20	42,500	27,000	3.62	2.62	8.70	CX34-62C	EL296UH110XV48C	5562852
XP14-042-230	44,000	15.70	13.20	42,500	27,000	3.62	2.64	8.70	CX34-62C	EL296UH110XV60C	5562862
XP14-042-230	44,000	16.00	13.00	42,500	26,800	3.68	2.64	8.50	CX34-62C	SL280UH090V60C	5432408
XP14-042-230	44,000	16.00	13.00	42,500	26,800	3.68	2.64	8.50	CX34-62C	SL280UH090XV60C	8133243
XP14-042-230	43,500	15.70	13.00	42,500	27,000	3.60	2.60	8.70	CX34-62C	SL280UH110V60C	5432410
XP14-042-230	43,500	15.70	13.00	42,500	27,000	3.60	2.60	8.70	CX34-62C	SL280UH110XV60C	8133270
XP14-042-230	43,500	15.70	13.00	42,500	27,000	3.56	2.60	8.70	CX34-62C	SLP98UH090XV36C	5432502
XP14-042-230	43,500	15.70	13.20	42,500	27,000	3.60	2.62	8.70	CX34-62C	SLP98UH090XV48C	5432503
XP14-042-230	44,000	15.70	13.00	42,500	27,200	3.62	2.62	8.70	CX34-62C	SLP98UH090XV60C	5432504

### NOTES:

Ratings are AHRI certified to AHRI Standard 210/240 (with 25 ft. of connecting refrigerant lines);

- Cooling Ratings - 95°F outdoor air temperature and 80°F db/67°F wb entering indoor coil air.

- High Temperature Heating Ratings - 47°F db/43°F wb outdoor air temperature and 70°F db entering indoor coil air.

- Low Temperature Heating Ratings - 17°F db/15°F wb outdoor air temperature and 70°F db entering indoor coil air.

All ratings include the use of a blower time delay relay (TDR). All Lennox variable-speed Furnaces and Air Handlers have time delay capabilities. Other Furnaces and Air Handlers may require an optional time delay relay (**58M81**) for field installation. See furnace or air handler specifications to determine if relay is needed.

Also see TXV Substitution Table at the beginning of the Heat Pump AHRI System Matches section.

When used with gas furnaces, a dual-fuel control, a control system with dual-fuel capabilities (LZP-2 or LZP-4), or a thermostat with dual-fuel capabilities must be used (ordered extra).

To convert HSPF from Region IV to Region V - Divide by 1.15.

## AHRI SYSTEM MATCHES

Model No.	Cooling Capacity	SEER	EER	Heat Capacity		Heat High	COP Low	HSPF (IV)	Coil or Air Handler	Furnace	AHRI Reference
				High	Low						
XP14-042-230	44,000	15.70	13.20	42,500	27,000	3.62	2.64	8.70	CX34-62C	SLP98UH110XV60C	5432505
XP14-042-230	43,000	14.70	12.20	43,000	27,600	3.44	2.50	8.50	CX34-62C		5432286
XP14-042-230	43,000	15.20	13.00	41,500	26,200	3.84	2.68	9.20	CX34-62D	EL180UH135E60D	5741088
XP14-042-230	42,500	14.70	12.70	41,500	26,400	3.76	2.64	8.70	CX34-62D	EL195UH135XE60D	5432451
XP14-042-230	42,500	14.70	12.70	41,500	26,400	3.76	2.64	8.70	CX34-62D	EL296UH135XE60D	5650788
XP14-042-230	43,500	15.50	13.00	42,000	27,000	3.72	2.56	8.70	CX34-62D	EL296UH135XV60D	5562872
XP14-042-230	43,500	15.70	13.20	41,500	26,800	3.70	2.56	8.70	CX34-62D	SL280UH135V60D	5432409
XP14-042-230	43,500	15.50	13.20	41,500	26,800	3.70	2.56	8.70	CX34-62D	SLP98UH135XV60D	5432501
XP14-042-230	43,000	14.20	12.20	42,500	27,600	3.52	2.44	8.50	CX34-62D		5432285
XP14-042-230	44,000	15.50	13.20	41,500	26,600	3.60	2.48	8.50	CX38-49C	EL180UH090E60C	10084689
XP14-042-230	44,000	15.50	13.20	41,500	26,600	3.58	2.48	8.50	CX38-49C	EL180UH110E60C	10084711
XP14-042-230	43,500	15.20	13.00	41,500	26,600	3.54	2.44	8.50	CX38-49C	EL195UH090XE48C	10084439
XP14-042-230	44,000	15.20	13.00	42,000	27,000	3.62	2.48	8.50	CX38-49C	EL195UH110XE60C	10084458
XP14-042-230	43,500	15.20	13.00	41,500	26,600	3.54	2.44	8.50	CX38-49C	EL296UH090XE48C	10084657
XP14-042-230	43,500	15.50	13.00	41,500	26,600	3.56	2.46	8.50	CX38-49C	EL296UH090XV36C	10084551
XP14-042-230	43,500	15.50	13.20	41,500	26,600	3.58	2.48	8.50	CX38-49C	EL296UH090XV48C	10084569
XP14-042-230	44,000	15.50	13.00	42,000	26,800	3.64	2.48	8.70	CX38-49C	EL296UH090XV60C	10084536
XP14-042-230	44,000	15.20	13.00	42,000	27,000	3.62	2.48	8.50	CX38-49C	EL296UH110XE60C	10084621
XP14-042-230	44,000	15.70	13.20	41,500	26,600	3.60	2.48	8.70	CX38-49C	EL296UH110XV48C	10084571
XP14-042-230	44,000	15.70	13.20	41,500	26,600	3.60	2.48	8.70	CX38-49C	EL296UH110XV60C	10084558
XP14-042-230	44,000	15.70	13.20	41,500	26,600	3.64	2.52	8.70	CX38-49C	SL280UH090V60C	10084432
XP14-042-230	44,000	15.70	13.20	41,500	26,600	3.64	2.52	8.70	CX38-49C	SL280UH090XV60C	10085031
XP14-042-230	44,000	15.50	13.20	41,500	26,800	3.58	2.48	8.50	CX38-49C	SL280UH110V60C	10084433
XP14-042-230	44,000	15.50	13.20	41,500	26,800	3.58	2.48	8.50	CX38-49C	SL280UH110XV60C	10085046
XP14-042-230	43,500	15.50	13.00	41,500	26,600	3.56	2.46	8.50	CX38-49C	SLP98UH090XV36C	10084461
XP14-042-230	43,500	15.50	13.20	41,500	26,600	3.58	2.48	8.50	CX38-49C	SLP98UH090XV48C	10084455
XP14-042-230	44,000	15.50	13.00	42,000	26,800	3.64	2.48	8.70	CX38-49C	SLP98UH090XV60C	10084454
XP14-042-230	44,000	15.70	13.20	41,500	26,600	3.60	2.48	8.70	CX38-49C	SLP98UH110XV60C	10084441
XP14-042-230	43,500	14.50	12.20	42,000	27,400	3.42	2.40	8.20	CX38-49C		10084101
XP14-042-230	42,500	15.00	12.70	41,500	26,200	3.82	2.66	9.20	CX38-60D	EL180UH135E60D	10086721
XP14-042-230	42,500	14.70	12.70	41,500	26,400	3.74	2.62	8.70	CX38-60D	EL195UH135XE60D	10086683
XP14-042-230	42,500	14.70	12.70	41,500	26,400	3.74	2.62	8.70	CX38-60D	EL296UH135XE60D	10086713
XP14-042-230	44,000	15.70	13.20	42,000	26,800	3.66	2.54	8.70	CX38-60D	EL296UH135XV60D	10086703
XP14-042-230	44,000	15.70	13.50	41,500	26,600	3.64	2.54	8.70	CX38-60D	SL280UH135V60D	10086681
XP14-042-230	44,000	15.70	13.20	41,500	26,800	3.64	2.56	8.70	CX38-60D	SLP98UH135XV60D	10086685
XP14-042-230	43,000	14.50	12.20	42,500	27,400	3.46	2.42	8.20	CX38-60D		10086659
XP14-042-230	43,000	15.20	13.00	41,500	26,400	3.92	2.74	9.50	CX38-62C	EL180UH090E60C	10086718
XP14-042-230	43,000	15.20	13.00	41,500	26,400	3.90	2.74	9.50	CX38-62C	EL180UH110E60C	10086720
XP14-042-230	43,000	15.00	13.00	41,500	26,400	3.86	2.70	8.70	CX38-62C	EL195UH090XE48C	10086676
XP14-042-230	43,500	15.20	13.00	42,000	26,600	3.94	2.72	8.70	CX38-62C	EL195UH110XE60C	10086684
XP14-042-230	43,000	15.00	13.00	41,500	26,400	3.86	2.70	8.70	CX38-62C	EL296UH090XE48C	10086896
XP14-042-230	43,500	15.70	13.00	42,500	27,000	3.56	2.60	8.70	CX38-62C	EL296UH090XV36C	10086699
XP14-042-230	43,500	15.70	13.20	42,500	27,000	3.60	2.62	8.70	CX38-62C	EL296UH090XV48C	10086705
XP14-042-230	44,000	15.70	13.00	42,500	27,200	3.62	2.62	8.70	CX38-62C	EL296UH090XV60C	10086706
XP14-042-230	43,500	15.20	13.00	42,000	26,600	3.94	2.72	8.70	CX38-62C	EL296UH110XE60C	10086714
XP14-042-230	44,000	15.70	13.20	42,500	27,000	3.62	2.62	8.70	CX38-62C	EL296UH110XV48C	10086701
XP14-042-230	44,000	15.70	13.20	42,500	27,000	3.62	2.64	8.70	CX38-62C	EL296UH110XV60C	10086707

**NOTES:**

Ratings are AHRI certified to AHRI Standard 210/240 (with 25 ft. of connecting refrigerant lines);

- Cooling Ratings - 95°F outdoor air temperature and 80°F db/67°F wb entering indoor coil air.
- High Temperature Heating Ratings - 47°F db/43°F wb outdoor air temperature and 70°F db entering indoor coil air.
- Low Temperature Heating Ratings - 17°F db/15°F wb outdoor air temperature and 70°F db entering indoor coil air.

All ratings include the use of a blower time delay relay (TDR). All Lennox variable-speed Furnaces and Air Handlers have time delay capabilities. Other Furnaces and Air Handlers may require an optional time delay relay (**58M81**) for field installation. See furnace or air handler specifications to determine if relay is needed.

Also see TXV Substitution Table at the beginning of the Heat Pump AHRI System Matches section.

When used with gas furnaces, a dual-fuel control, a control system with dual-fuel capabilities (LZP-2 or LZP-4), or a thermostat with dual-fuel capabilities must be used (ordered extra).

To convert HSPF from Region IV to Region V - Divide by 1.15.

## AHRI SYSTEM MATCHES

Model No.	Cooling Capacity	SEER	EER	Heat Capacity		Heat COP		HSPF (IV)	Coil or Air Handler	Furnace	AHRI Reference
				High	Low	High	Low				
XP14-042-230	44,000	16.00	13.00	42,500	26,800	3.68	2.64	8.50	CX38-62C	SL280UH090V60C	10086675
XP14-042-230	44,000	16.00	13.00	42,500	26,800	3.68	2.64	8.50	CX38-62C	SL280UH090XV60C	10086746
XP14-042-230	43,500	15.70	13.00	42,500	27,000	3.60	2.60	8.70	CX38-62C	SL280UH110V60C	10086682
XP14-042-230	43,500	15.70	13.00	42,500	27,000	3.60	2.60	8.70	CX38-62C	SL280UH110XV60C	10086749
XP14-042-230	43,500	15.70	13.00	42,500	27,000	3.56	2.60	8.70	CX38-62C	SLP98UH090XV36C	10086678
XP14-042-230	43,500	15.70	13.20	42,500	27,000	3.60	2.62	8.70	CX38-62C	SLP98UH090XV48C	10086680
XP14-042-230	44,000	15.70	13.00	42,500	27,200	3.62	2.62	8.70	CX38-62C	SLP98UH090XV60C	10086679
XP14-042-230	44,000	15.70	13.20	42,500	27,000	3.62	2.64	8.70	CX38-62C	SLP98UH110XV60C	10086677
XP14-042-230	43,000	14.70	12.20	43,000	27,600	3.44	2.50	8.50	CX38-62C		10086660
XP14-042-230	43,000	15.20	13.00	41,500	26,200	3.84	2.68	9.20	CX38-62D	EL180UH135E60D	10084713
XP14-042-230	42,500	14.70	12.70	41,500	26,400	3.76	2.64	8.70	CX38-62D	EL195UH135XE60D	10084445
XP14-042-230	42,500	14.70	12.70	41,500	26,400	3.76	2.64	8.70	CX38-62D	EL296UH135XE60D	10084613
XP14-042-230	43,500	15.50	13.00	42,000	27,000	3.72	2.56	8.70	CX38-62D	EL296UH135XV60D	10084559
XP14-042-230	43,500	15.70	13.20	41,500	26,800	3.70	2.56	8.70	CX38-62D	SL280UH135V60D	10084435
XP14-042-230	43,500	15.50	13.20	41,500	26,800	3.70	2.56	8.70	CX38-62D	SLP98UH135XV60D	10084456
XP14-042-230	43,000	14.20	12.20	42,500	27,600	3.52	2.44	8.50	CX38-62D		10084103
XP14-048-230	49,000	15.00	12.70	45,500	30,000	3.38	2.54	8.70	C33-49	EL180UH090E60C	5740262
XP14-048-230	48,500	14.70	12.70	45,500	30,000	3.36	2.52	8.50	C33-49	EL180UH110E60C	5740717
XP14-048-230	49,000	14.70	12.70	46,000	30,200	3.38	2.52	8.50	C33-49	EL195UH090XE48C	5432600
XP14-048-230	49,000	14.70	12.70	46,000	30,200	3.40	2.54	8.50	C33-49	EL195UH110XE60C	5432606
XP14-048-230	49,000	14.70	12.70	46,000	30,200	3.38	2.52	8.50	C33-49	EL296UH090XE48C	5650806
XP14-048-230	49,000	14.50	12.70	46,000	30,000	3.40	2.48	8.50	C33-49	EL296UH090XV48C	5562879
XP14-048-230	49,000	14.50	12.70	46,000	30,000	3.40	2.50	8.50	C33-49	EL296UH090XV60C	5562883
XP14-048-230	49,000	14.70	12.70	46,000	30,200	3.40	2.54	8.50	C33-49	EL296UH110XE60C	5650807
XP14-048-230	49,000	14.50	12.70	46,000	30,000	3.40	2.50	8.50	C33-49	EL296UH110XV48C	5562891
XP14-048-230	49,000	14.50	12.70	46,000	30,000	3.40	2.50	8.50	C33-49	EL296UH110XV60C	5562896
XP14-048-230	49,000	14.70	12.70	46,000	30,000	3.44	2.52	8.50	C33-49	SL280UH090V60C	5432563
XP14-048-230	49,000	14.70	12.70	46,000	30,000	3.44	2.52	8.50	C33-49	SL280UH090XV60C	8133245
XP14-048-230	49,000	14.70	12.70	46,000	29,800	3.44	2.50	8.50	C33-49	SL280UH110V60C	5432564
XP14-048-230	49,000	14.70	12.70	46,000	29,800	3.44	2.50	8.50	C33-49	SL280UH110XV60C	8133273
XP14-048-230	49,000	14.50	12.70	46,000	30,000	3.40	2.48	8.50	C33-49	SLP98UH090XV48C	5432634
XP14-048-230	49,000	14.50	12.70	46,000	30,000	3.40	2.50	8.50	C33-49	SLP98UH090XV60C	5432635
XP14-048-230	49,000	14.50	12.70	46,000	30,000	3.40	2.50	8.50	C33-49	SLP98UH110XV60C	5432636
XP14-048-230	49,000	14.00	12.20	46,500	30,400	3.32	2.44	8.20	C33-49		5432513
XP14-048-230	47,500	14.70	12.50	47,500	31,000	3.14	2.44	8.20	C33-60D	EL180UH135E60D	5741090
XP14-048-230	48,500	15.00	12.70	46,000	30,400	3.60	2.66	9.00	C33-62C	EL180UH090E60C	5740259
XP14-048-230	48,500	15.00	12.70	46,000	30,400	3.58	2.66	9.00	C33-62C	EL180UH110E60C	5740716
XP14-048-230	48,500	14.70	12.50	46,500	30,600	3.58	2.64	9.00	C33-62C	EL195UH090XE48C	5432601
XP14-048-230	48,500	14.70	12.70	46,500	30,400	3.60	2.64	9.00	C33-62C	EL195UH110XE60C	5432607
XP14-048-230	48,500	14.70	12.50	46,500	30,600	3.58	2.64	9.00	C33-62C	EL296UH090XE48C	5650822
XP14-048-230	48,500	14.50	12.70	46,500	30,400	3.60	2.62	9.00	C33-62C	EL296UH090XV48C	5562882
XP14-048-230	48,500	14.50	12.70	46,500	30,400	3.62	2.62	9.00	C33-62C	EL296UH090XV60C	5562886
XP14-048-230	48,500	14.70	12.70	46,500	30,400	3.60	2.64	9.00	C33-62C	EL296UH110XE60C	5650812
XP14-048-230	48,500	14.70	12.70	46,500	30,400	3.62	2.62	9.00	C33-62C	EL296UH110XV48C	5562889
XP14-048-230	48,500	14.50	12.70	46,500	30,400	3.60	2.62	9.00	C33-62C	EL296UH110XV60C	5562895
XP14-048-230	49,000	14.70	12.70	46,500	30,200	3.66	2.64	9.00	C33-62C	SL280UH090V60C	5432584
XP14-048-230	49,000	14.70	12.70	46,500	30,200	3.66	2.64	9.00	C33-62C	SL280UH090XV60C	8133247

### NOTES:

Ratings are AHRI certified to AHRI Standard 210/240 (with 25 ft. of connecting refrigerant lines);

- Cooling Ratings - 95°F outdoor air temperature and 80°F db/67°F wb entering indoor coil air.

- High Temperature Heating Ratings - 47°F db/43°F wb outdoor air temperature and 70°F db entering indoor coil air.

- Low Temperature Heating Ratings - 17°F db/15°F wb outdoor air temperature and 70°F db entering indoor coil air.

All ratings include the use of a blower time delay relay (TDR). All Lennox variable-speed Furnaces and Air Handlers have time delay capabilities. Other Furnaces and Air Handlers may require an optional time delay relay (**58M81**) for field installation. See furnace or air handler specifications to determine if relay is needed.

Also see TXV Substitution Table at the beginning of the Heat Pump AHRI System Matches section.

When used with gas furnaces, a dual-fuel control, a control system with dual-fuel capabilities (LZP-2 or LZP-4), or a thermostat with dual-fuel capabilities must be used (ordered extra).

To convert HSPF from Region IV to Region V - Divide by 1.15.

## AHRI SYSTEM MATCHES

Model No.	Cooling Capacity	SEER	EER	Heat Capacity		Heat COP		HSPF (IV)	Coil or Air Handler	Furnace	AHRI Reference
				High	Low	High	Low				
XP14-048-230	48,500	14.70	12.70	46,000	30,200	3.60	2.64	9.00	C33-62C	SL280UH110V60C	5432520
XP14-048-230	48,500	14.70	12.70	46,000	30,200	3.60	2.64	9.00	C33-62C	SL280UH110XV60C	8133271
XP14-048-230	48,500	14.50	12.70	46,500	30,400	3.60	2.62	9.00	C33-62C	SLP98UH090XV48C	5432620
XP14-048-230	48,500	14.50	12.70	46,500	30,400	3.62	2.62	9.00	C33-62C	SLP98UH090XV60C	5432621
XP14-048-230	48,500	14.50	12.70	46,500	30,400	3.60	2.62	9.00	C33-62C	SLP98UH110XV60C	5432622
XP14-048-230	48,500	14.00	12.20	47,000	30,800	3.52	2.56	8.70	C33-62C		5432506
XP14-048-230	48,000	14.70	12.50	46,000	30,400	3.52	2.60	8.70	C33-62D	EL180UH135E60D	5740949
XP14-048-230	48,000	14.50	12.20	46,000	30,600	3.44	2.56	8.70	C33-62D	EL195UH135XE60D	5432613
XP14-048-230	48,000	14.50	12.20	46,000	30,600	3.44	2.56	8.70	C33-62D	EL296UH135XE60D	5650816
XP14-048-230	48,000	14.50	12.50	46,000	30,400	3.50	2.56	8.70	C33-62D	EL296UH135XV60D	5562899
XP14-048-230	48,000	14.50	12.50	46,000	30,200	3.52	2.56	8.70	C33-62D	SL280UH135V60D	5432523
XP14-048-230	48,000	14.50	12.70	46,000	30,000	3.52	2.56	8.70	C33-62D	SLP98UH135XV60D	5432623
XP14-048-230	49,000	15.00	12.70	45,500	30,000	3.38	2.54	8.70	C37-49C	EL180UH090E60C	10084696
XP14-048-230	48,500	14.70	12.70	45,500	30,000	3.36	2.52	8.50	C37-49C	EL180UH110E60C	10084708
XP14-048-230	49,000	14.70	12.70	46,000	30,200	3.38	2.52	8.50	C37-49C	EL195UH090XE48C	10084466
XP14-048-230	49,000	14.70	12.70	46,000	30,200	3.40	2.54	8.50	C37-49C	EL195UH110XE60C	10084469
XP14-048-230	49,000	14.70	12.70	46,000	30,200	3.38	2.52	8.50	C37-49C	EL296UH090XE48C	10084629
XP14-048-230	49,000	14.50	12.70	46,000	30,000	3.40	2.48	8.50	C37-49C	EL296UH090XV48C	10084588
XP14-048-230	49,000	14.50	12.70	46,000	30,000	3.40	2.50	8.50	C37-49C	EL296UH090XV60C	10084560
XP14-048-230	49,000	14.70	12.70	46,000	30,200	3.40	2.54	8.50	C37-49C	EL296UH110XE60C	10084622
XP14-048-230	49,000	14.50	12.70	46,000	30,000	3.40	2.50	8.50	C37-49C	EL296UH110XV48C	10084561
XP14-048-230	49,000	14.50	12.70	46,000	30,000	3.40	2.50	8.50	C37-49C	EL296UH110XV60C	10084573
XP14-048-230	49,000	14.70	12.70	46,000	30,000	3.44	2.52	8.50	C37-49C	SL280UH090V60C	10084468
XP14-048-230	49,000	14.70	12.70	46,000	30,000	3.44	2.52	8.50	C37-49C	SL280UH090XV60C	10085032
XP14-048-230	49,000	14.70	12.70	46,000	29,800	3.44	2.50	8.50	C37-49C	SL280UH110V60C	10084464
XP14-048-230	49,000	14.70	12.70	46,000	29,800	3.44	2.50	8.50	C37-49C	SL280UH110XV60C	10085048
XP14-048-230	49,000	14.50	12.70	46,000	30,000	3.40	2.48	8.50	C37-49C	SLP98UH090XV48C	10084483
XP14-048-230	49,000	14.50	12.70	46,000	30,000	3.40	2.50	8.50	C37-49C	SLP98UH090XV60C	10084486
XP14-048-230	49,000	14.50	12.70	46,000	30,000	3.40	2.50	8.50	C37-49C	SLP98UH110XV60C	10084473
XP14-048-230	49,000	14.00	12.20	46,500	30,400	3.32	2.44	8.20	C37-49C		10084106
XP14-048-230	47,500	14.70	12.50	47,500	31,000	3.14	2.44	8.20	C37-60D	EL180UH135E60D	10084726
XP14-048-230	48,500	15.00	12.70	46,000	30,400	3.60	2.66	9.00	C37-62C	EL180UH090E60C	10084690
XP14-048-230	48,500	15.00	12.70	46,000	30,400	3.58	2.66	9.00	C37-62C	EL180UH110E60C	10084718
XP14-048-230	48,500	14.70	12.50	46,500	30,600	3.58	2.64	9.00	C37-62C	EL195UH090XE48C	10084485
XP14-048-230	48,500	14.70	12.70	46,500	30,400	3.60	2.64	9.00	C37-62C	EL195UH110XE60C	10084476
XP14-048-230	48,500	14.70	12.50	46,500	30,600	3.58	2.64	9.00	C37-62C	EL296UH090XE48C	10084665
XP14-048-230	48,500	14.50	12.70	46,500	30,400	3.60	2.62	9.00	C37-62C	EL296UH090XV48C	10084581
XP14-048-230	48,500	14.50	12.70	46,500	30,400	3.62	2.62	9.00	C37-62C	EL296UH090XV60C	10084584
XP14-048-230	48,500	14.70	12.70	46,500	30,400	3.60	2.64	9.00	C37-62C	EL296UH110XE60C	10084615
XP14-048-230	48,500	14.70	12.70	46,500	30,400	3.62	2.62	9.00	C37-62C	EL296UH110XV48C	10084575
XP14-048-230	48,500	14.50	12.70	46,500	30,400	3.60	2.62	9.00	C37-62C	EL296UH110XV60C	10084590
XP14-048-230	49,000	14.70	12.70	46,500	30,200	3.66	2.64	9.00	C37-62C	SL280UH090V60C	10084462
XP14-048-230	49,000	14.70	12.70	46,500	30,200	3.66	2.64	9.00	C37-62C	SL280UH090XV60C	10085033
XP14-048-230	48,500	14.70	12.70	46,000	30,200	3.60	2.64	9.00	C37-62C	SL280UH110V60C	10084467
XP14-048-230	48,500	14.70	12.70	46,000	30,200	3.60	2.64	9.00	C37-62C	SL280UH110XV60C	10085047
XP14-048-230	48,500	14.50	12.70	46,500	30,400	3.60	2.62	9.00	C37-62C	SLP98UH090XV48C	10084472
XP14-048-230	48,500	14.50	12.70	46,500	30,400	3.62	2.62	9.00	C37-62C	SLP98UH090XV60C	10084479

**NOTES:**

Ratings are AHRI certified to AHRI Standard 210/240 (with 25 ft. of connecting refrigerant lines);

- Cooling Ratings - 95°F outdoor air temperature and 80°F db/67°F wb entering indoor coil air.
- High Temperature Heating Ratings - 47°F db/43°F wb outdoor air temperature and 70°F db entering indoor coil air.
- Low Temperature Heating Ratings - 17°F db/15°F wb outdoor air temperature and 70°F db entering indoor coil air.

All ratings include the use of a blower time delay relay (TDR). All Lennox variable-speed Furnaces and Air Handlers have time delay capabilities. Other Furnaces and Air Handlers may require an optional time delay relay (**58M81**) for field installation. See furnace or air handler specifications to determine if relay is needed.

Also see TXV Substitution Table at the beginning of the Heat Pump AHRI System Matches section.

When used with gas furnaces, a dual-fuel control, a control system with dual-fuel capabilities (LZP-2 or LZP-4), or a thermostat with dual-fuel capabilities must be used (ordered extra).

To convert HSPF from Region IV to Region V - Divide by 1.15.

## AHRI SYSTEM MATCHES

Model No.	Cooling Capacity	SEER	EER	Heat Capacity		Heat COP		HSPF (IV)	Coil or Air Handler	Furnace	AHRI Reference
				High	Low	High	Low				
XP14-048-230	48,500	14.50	12.70	46,500	30,400	3.60	2.62	9.00	C37-62C	SLP98UH110XV60C	10084470
XP14-048-230	48,500	14.00	12.20	47,000	30,800	3.52	2.56	8.70	C37-62C		10084108
XP14-048-230	48,000	14.70	12.50	46,000	30,400	3.52	2.60	8.70	C37-62D	EL180UH135E60D	10084720
XP14-048-230	48,000	14.50	12.20	46,000	30,600	3.44	2.56	8.70	C37-62D	EL195UH135XE60D	10084478
XP14-048-230	48,000	14.50	12.20	46,000	30,600	3.44	2.56	8.70	C37-62D	EL296UH135XE60D	10084647
XP14-048-230	48,000	14.50	12.50	46,000	30,400	3.50	2.56	8.70	C37-62D	EL296UH135XV60D	10084562
XP14-048-230	48,000	14.50	12.50	46,000	30,200	3.52	2.56	8.70	C37-62D	SL280UH135V60D	10084463
XP14-048-230	48,000	14.50	12.70	46,000	30,000	3.52	2.56	8.70	C37-62D	SLP98UH135XV60D	10084477
XP14-048-230	48,500	15.00	12.50	47,500	30,600	3.48	2.64	9.00	CBA27UHE-048		10260316
XP14-048-230	48,000	14.50	12.50	47,000	30,600	3.58	2.62	8.50	CBA27UHE-060		10260317
XP14-048-230	49,000	14.00	12.00	47,000	30,200	3.44	2.56	8.20	CBX25UH-048		5727007
XP14-048-230	48,500	14.00	12.00	47,000	30,400	3.40	2.54	8.20	CBX25UH-060		6623432
XP14-048-230	48,000	15.00	12.50	46,500	29,800	3.52	2.62	8.50	CBX25UHV-048		6970220
XP14-048-230	49,500	15.00	12.70	47,500	30,600	3.62	2.70	9.20	CBX27UH-048		5432528
XP14-048-230	49,500	15.20	12.70	43,500	29,800	3.52	2.66	9.00	CBX27UH-060		5432529
XP14-048-230	49,500	14.70	12.50	48,000	30,800	3.60	2.68	9.00	CBX32M-048		5432530
XP14-048-230	49,500	14.50	12.20	48,000	30,800	3.52	2.64	8.70	CBX32M-060		5432531
XP14-048-230	49,000	15.00	12.70	47,500	30,600	3.60	2.70	9.00	CBX32MV-048		5432532
XP14-048-230	49,500	14.70	12.50	48,000	30,600	3.54	2.64	8.70	CBX32MV-060		5432533
XP14-048-230	49,000	14.70	12.50	46,000	30,200	3.46	2.58	8.70	CBX32MV-068		5432534
XP14-048-230	49,000	15.00	12.70	47,500	30,600	3.62	2.70	9.00	CBX40UHV-048		5432535
XP14-048-230	50,000	14.70	12.50	48,000	30,600	3.54	2.64	9.00	CBX40UHV-060		5432536
XP14-048-230	50,500	15.20	13.20	46,500	31,000	3.66	2.74	9.20	CH23-68	EL180UH090E60C	5740261
XP14-048-230	50,000	15.20	13.00	46,500	31,000	3.64	2.74	9.20	CH23-68	EL180UH110E60C	5740718
XP14-048-230	50,500	15.20	13.00	47,000	31,000	3.72	2.76	9.20	CH23-68	EL180UH135E60D	5741091
XP14-048-230	50,000	15.00	12.70	47,000	31,200	3.64	2.72	9.20	CH23-68	EL195UH090XE48C	5432602
XP14-048-230	50,500	15.20	13.00	47,000	31,200	3.66	2.74	9.20	CH23-68	EL195UH110XE60C	5432608
XP14-048-230	50,500	14.70	12.70	47,000	31,400	3.64	2.72	9.20	CH23-68	EL195UH135XE60D	5432614
XP14-048-230	50,000	15.00	12.70	47,000	31,200	3.64	2.72	9.20	CH23-68	EL296UH090XE48C	5650819
XP14-048-230	50,500	15.20	13.00	47,000	31,200	3.66	2.74	9.20	CH23-68	EL296UH110XE60C	5650804
XP14-048-230	50,500	14.70	12.70	47,000	31,400	3.64	2.72	9.20	CH23-68	EL296UH135XE60D	5650808
XP14-048-230	51,000	15.20	13.20	47,000	30,800	3.68	2.68	9.20	CH23-68	EL296UH135XV60D	5562902
XP14-048-230	50,500	15.20	13.20	46,500	30,800	3.64	2.70	9.20	CH23-68	SL280UH135V60D	5432541
XP14-048-230	50,500	15.20	13.20	46,500	30,600	3.64	2.68	9.20	CH23-68	SLP98UH135XV60D	5432627
XP14-048-230	49,500	14.00	12.20	47,500	31,400	3.56	2.60	9.00	CH23-68		5432508
XP14-048-230	48,500	14.70	12.70	45,500	29,800	3.32	2.54	8.50	CH33-50/60C	EL180UH090E60C	5740260
XP14-048-230	49,000	14.20	12.20	46,500	30,200	3.38	2.52	8.50	CH33-50/60C	EL180UH110E60C	5740714
XP14-048-230	48,000	14.20	12.20	45,500	29,800	3.28	2.50	8.20	CH33-50/60C	EL195UH090XE48C	5432603
XP14-048-230	48,000	14.20	12.50	45,500	29,800	3.30	2.52	8.20	CH33-50/60C	EL195UH110XE60C	5432609
XP14-048-230	48,000	14.20	12.20	45,500	29,800	3.28	2.50	8.20	CH33-50/60C	EL296UH090XE48C	5650824
XP14-048-230	48,500	14.20	12.50	46,000	29,800	3.34	2.50	8.20	CH33-50/60C	EL296UH090XV48C	5562878
XP14-048-230	48,500	14.20	12.20	46,000	29,800	3.32	2.50	8.20	CH33-50/60C	EL296UH090XV60C	5562884
XP14-048-230	48,000	14.20	12.50	45,500	29,800	3.30	2.52	8.20	CH33-50/60C	EL296UH110XE60C	5650820
XP14-048-230	48,500	14.20	12.50	46,000	29,800	3.34	2.50	8.50	CH33-50/60C	EL296UH110XV48C	5562892
XP14-048-230	48,500	14.20	12.50	46,000	29,800	3.34	2.50	8.20	CH33-50/60C	EL296UH110XV60C	5562893
XP14-048-230	48,500	14.50	12.50	46,000	29,600	3.38	2.52	8.50	CH33-50/60C	SL280UH090V60C	5432559
XP14-048-230	48,500	14.50	12.50	46,000	29,600	3.38	2.52	8.50	CH33-50/60C	SL280UH090XV60C	8133244

### NOTES:

Ratings are AHRI certified to AHRI Standard 210/240 (with 25 ft. of connecting refrigerant lines);

- Cooling Ratings - 95°F outdoor air temperature and 80°F db/67°F wb entering indoor coil air.

- High Temperature Heating Ratings - 47°F db/43°F wb outdoor air temperature and 70°F db entering indoor coil air.

- Low Temperature Heating Ratings - 17°F db/15°F wb outdoor air temperature and 70°F db entering indoor coil air.

All ratings include the use of a blower time delay relay (TDR). All Lennox variable-speed Furnaces and Air Handlers have time delay capabilities. Other Furnaces and Air Handlers may require an optional time delay relay (**58M81**) for field installation. See furnace or air handler specifications to determine if relay is needed.

Also see TXV Substitution Table at the beginning of the Heat Pump AHRI System Matches section.

When used with gas furnaces, a dual-fuel control, a control system with dual-fuel capabilities (LZP-2 or LZP-4), or a thermostat with dual-fuel capabilities must be used (ordered extra).

To convert HSPF from Region IV to Region V - Divide by 1.15.



## AHRI SYSTEM MATCHES

Model No.	Cooling Capacity	SEER	EER	Heat Capacity		Heat High	COP Low	HSPF (IV)	Coil or Air Handler	Furnace	AHRI Reference
				High	Low						
XP14-048-230	48,500	14.20	12.50	46,000	29,600	3.36	2.50	8.50	CH33-50/60C	SL280UH110V60C	5432560
XP14-048-230	48,500	14.20	12.50	46,000	29,600	3.36	2.50	8.50	CH33-50/60C	SL280UH110XV60C	8133272
XP14-048-230	48,500	14.20	12.50	46,000	29,800	3.34	2.50	8.20	CH33-50/60C	SLP98UH090XV48C	5432624
XP14-048-230	48,500	14.20	12.20	46,000	29,800	3.32	2.50	8.20	CH33-50/60C	SLP98UH090XV60C	5432625
XP14-048-230	48,500	14.20	12.50	46,000	29,800	3.34	2.50	8.20	CH33-50/60C	SLP98UH110XV60C	5432626
XP14-048-230	48,500	14.70	12.70	46,000	30,200	3.40	2.58	8.70	CH33-60D	EL180UH135E60D	5741093
XP14-048-230	48,000	14.20	12.20	46,500	30,600	3.38	2.54	8.50	CH33-60D	EL195UH135XE60D	5432615
XP14-048-230	48,000	14.20	12.20	46,500	30,600	3.38	2.54	8.50	CH33-60D	EL296UH135XE60D	5650813
XP14-048-230	48,500	14.20	12.50	46,500	30,200	3.44	2.52	8.70	CH33-60D	EL296UH135XV60D	5562898
XP14-048-230	48,500	14.50	12.70	46,000	30,000	3.40	2.52	8.70	CH33-60D	SL280UH135V60D	5432546
XP14-048-230	48,000	14.50	12.50	46,000	30,000	3.40	2.54	8.50	CH33-60D	SLP98UH135XV60D	5432628
XP14-048-230	48,500	15.00	12.70	46,000	30,200	3.44	2.58	8.70	CH33-62D	EL180UH135E60D	5741092
XP14-048-230	48,000	14.70	12.20	46,000	30,400	3.36	2.54	8.70	CH33-62D	EL195UH135XE60D	5432616
XP14-048-230	48,000	14.70	12.20	46,000	30,400	3.36	2.54	8.70	CH33-62D	EL296UH135XE60D	5650805
XP14-048-230	48,500	14.70	12.70	46,000	30,200	3.42	2.54	8.70	CH33-62D	EL296UH135XV60D	5562904
XP14-048-230	48,500	14.70	12.70	46,000	30,000	3.44	2.54	8.70	CH33-62D	SL280UH135V60D	5432549
XP14-048-230	48,000	14.70	12.70	45,500	30,000	3.40	2.54	8.70	CH33-62D	SLP98UH135XV60D	5432629
XP14-048-230	48,000	14.00	12.00	46,500	30,600	3.32	2.46	8.50	CH33-62D		5432511
XP14-048-230	49,500	15.00	12.70	48,500	31,200	3.50	2.66	9.00	CR33-50/60	EL180DF110E60C	5741637
XP14-048-230	49,500	14.20	12.50	49,000	31,400	3.44	2.60	8.70	CR33-50/60	EL195DF090XE48C	5432598
XP14-048-230	49,500	14.20	12.70	48,500	31,200	3.46	2.64	8.70	CR33-50/60	EL195DF110XE60C	5432599
XP14-048-230	49,500	14.20	12.50	49,000	31,400	3.44	2.60	8.70	CR33-50/60	EL296DF090XE48C	5650809
XP14-048-230	49,500	14.20	12.50	49,000	31,400	3.46	2.60	8.70	CR33-50/60	EL296DF090XV60C	5562876
XP14-048-230	49,500	14.20	12.70	48,500	31,200	3.46	2.64	8.70	CR33-50/60	EL296DF110XE60C	5650814
XP14-048-230	49,500	14.20	12.70	48,500	31,200	3.42	2.58	8.70	CR33-50/60	EL296DF110XV60C	5562877
XP14-048-230	49,500	14.70	12.70	48,500	31,000	3.48	2.62	8.70	CR33-50/60	SL280DF090V60C	5432553
XP14-048-230	49,500	14.70	13.00	48,500	31,000	3.52	2.64	8.70	CR33-50/60	SL280DF110V60C	5432554
XP14-048-230	49,500	14.20	12.50	49,000	31,400	3.46	2.58	8.70	CR33-50/60	SLP98DF090XV48C	5432630
XP14-048-230	49,500	14.20	12.50	49,000	31,400	3.46	2.60	8.70	CR33-50/60	SLP98DF090XV60C	5432631
XP14-048-230	49,500	14.20	12.70	48,500	31,200	3.42	2.58	8.70	CR33-50/60	SLP98DF110XV60C	5432633
XP14-048-230	49,000	15.00	12.70	45,500	30,000	3.38	2.54	8.70	CX34-49	EL180UH090E60C	5740263
XP14-048-230	48,500	14.70	12.70	45,500	30,000	3.36	2.52	8.50	CX34-49	EL180UH110E60C	5740719
XP14-048-230	49,000	14.50	12.70	46,000	30,000	3.38	2.52	8.50	CX34-49	EL195UH090XE48C	5432604
XP14-048-230	49,000	14.50	12.70	46,000	30,000	3.40	2.54	8.50	CX34-49	EL195UH110XE60C	5432610
XP14-048-230	49,000	14.50	12.70	46,000	30,000	3.38	2.52	8.50	CX34-49	EL296UH090XE48C	5650810
XP14-048-230	49,000	14.50	12.70	46,000	30,000	3.40	2.48	8.50	CX34-49	EL296UH090XV48C	5562881
XP14-048-230	49,000	14.50	12.70	46,000	30,000	3.40	2.50	8.50	CX34-49	EL296UH090XV60C	5562887
XP14-048-230	49,000	14.50	12.70	46,000	30,000	3.40	2.54	8.50	CX34-49	EL296UH110XE60C	5650817
XP14-048-230	49,000	14.50	12.70	46,000	30,000	3.40	2.50	8.50	CX34-49	EL296UH110XV48C	5562890
XP14-048-230	49,000	14.50	12.70	46,000	30,000	3.40	2.50	8.50	CX34-49	EL296UH110XV60C	5562897
XP14-048-230	49,000	14.70	12.70	46,000	30,000	3.44	2.52	8.50	CX34-49	SL280UH090V60C	5432596
XP14-048-230	49,000	14.70	12.70	46,000	30,000	3.44	2.52	8.50	CX34-49	SL280UH090XV60C	8133248
XP14-048-230	49,000	14.70	12.70	46,000	29,800	3.44	2.50	8.50	CX34-49	SL280UH110V60C	5432597
XP14-048-230	49,000	14.70	12.70	46,000	29,800	3.44	2.50	8.50	CX34-49	SL280UH110XV60C	8133276
XP14-048-230	49,000	14.50	12.70	46,000	30,000	3.40	2.48	8.50	CX34-49	SLP98UH090XV48C	5432642
XP14-048-230	49,000	14.50	12.70	46,000	30,000	3.40	2.50	8.50	CX34-49	SLP98UH090XV60C	5432643
XP14-048-230	49,000	14.50	12.70	46,000	30,000	3.40	2.50	8.50	CX34-49	SLP98UH110XV60C	5432644

### NOTES:

Ratings are AHRI certified to AHRI Standard 210/240 (with 25 ft. of connecting refrigerant lines);

- Cooling Ratings - 95°F outdoor air temperature and 80°F db/67°F wb entering indoor coil air.
- High Temperature Heating Ratings - 47°F db/43°F wb outdoor air temperature and 70°F db entering indoor coil air.
- Low Temperature Heating Ratings - 17°F db/15°F wb outdoor air temperature and 70°F db entering indoor coil air.

All ratings include the use of a blower time delay relay (TDR). All Lennox variable-speed Furnaces and Air Handlers have time delay capabilities. Other Furnaces and Air Handlers may require an optional time delay relay (**58M81**) for field installation. See furnace or air handler specifications to determine if relay is needed.

Also see TXV Substitution Table at the beginning of the Heat Pump AHRI System Matches section.

When used with gas furnaces, a dual-fuel control, a control system with dual-fuel capabilities (LZP-2 or LZP-4), or a thermostat with dual-fuel capabilities must be used (ordered extra).

To convert HSPF from Region IV to Region V - Divide by 1.15.

## AHRI SYSTEM MATCHES

Model No.	Cooling Capacity	SEER	EER	Heat Capacity		Heat COP		HSPF (IV)	Coil or Air Handler	Furnace	AHRI Reference
				High	Low	High	Low				
XP14-048-230	49,000	14.00	12.20	46,500	30,400	3.32	2.44	8.20	CX34-49		5432519
XP14-048-230	47,500	14.70	12.50	47,500	31,000	3.14	2.44	8.20	CX34-60D	EL180UH135E60D	5741089
XP14-048-230	48,500	15.00	12.70	46,000	30,400	3.60	2.66	9.00	CX34-62C	EL180UH090E60C	5740258
XP14-048-230	48,500	15.00	12.70	46,000	30,400	3.58	2.66	9.00	CX34-62C	EL180UH110E60C	5740715
XP14-048-230	48,500	14.50	12.50	46,500	30,400	3.58	2.64	9.00	CX34-62C	EL195UH090XE48C	5432605
XP14-048-230	48,500	14.50	12.70	46,500	30,400	3.60	2.64	9.00	CX34-62C	EL195UH110XE60C	5432611
XP14-048-230	48,500	14.50	12.50	46,500	30,400	3.58	2.64	9.00	CX34-62C	EL296UH090XE48C	5650815
XP14-048-230	48,500	14.50	12.70	46,500	30,400	3.60	2.62	9.00	CX34-62C	EL296UH090XV48C	5562880
XP14-048-230	48,500	14.50	12.70	46,500	30,400	3.62	2.62	9.00	CX34-62C	EL296UH090XV60C	5562885
XP14-048-230	48,500	14.50	12.70	46,500	30,400	3.60	2.64	9.00	CX34-62C	EL296UH110XE60C	5650823
XP14-048-230	48,500	14.70	12.70	46,500	30,400	3.62	2.62	9.00	CX34-62C	EL296UH110XV48C	5562888
XP14-048-230	48,500	14.50	12.70	46,500	30,400	3.60	2.62	9.00	CX34-62C	EL296UH110XV60C	5562894
XP14-048-230	49,000	14.70	12.70	46,500	30,200	3.66	2.64	9.00	CX34-62C	SL280UH090V60C	5432576
XP14-048-230	49,000	14.70	12.70	46,500	30,200	3.66	2.64	9.00	CX34-62C	SL280UH090XV60C	8133246
XP14-048-230	48,500	14.70	12.70	46,000	30,200	3.60	2.64	9.00	CX34-62C	SL280UH110V60C	5432577
XP14-048-230	48,500	14.70	12.70	46,000	30,200	3.60	2.64	9.00	CX34-62C	SL280UH110XV60C	8133274
XP14-048-230	48,500	14.50	12.70	46,500	30,400	3.60	2.62	9.00	CX34-62C	SLP98UH090XV48C	5432638
XP14-048-230	48,500	14.50	12.70	46,500	30,400	3.62	2.62	9.00	CX34-62C	SLP98UH090XV60C	5432640
XP14-048-230	48,500	14.50	12.70	46,500	30,400	3.60	2.62	9.00	CX34-62C	SLP98UH110XV60C	5432641
XP14-048-230	48,500	14.00	12.20	47,000	30,800	3.52	2.56	8.70	CX34-62C		5432517
XP14-048-230	48,000	14.70	12.50	46,000	30,400	3.52	2.60	8.70	CX34-62D	EL180UH135E60D	5741094
XP14-048-230	48,000	14.50	12.20	46,000	30,600	3.44	2.56	8.70	CX34-62D	EL195UH135XE60D	5432618
XP14-048-230	48,000	14.50	12.20	46,000	30,600	3.44	2.56	8.70	CX34-62D	EL296UH135XE60D	5650818
XP14-048-230	48,000	14.50	12.50	46,000	30,400	3.50	2.56	8.70	CX34-62D	EL296UH135XV60D	5562903
XP14-048-230	48,000	14.50	12.50	46,000	30,200	3.52	2.56	8.70	CX34-62D	SL280UH135V60D	5432587
XP14-048-230	48,000	14.50	12.70	46,000	30,000	3.52	2.56	8.70	CX34-62D	SLP98UH135XV60D	5432632
XP14-048-230	49,000	15.00	12.70	45,500	30,000	3.38	2.54	8.70	CX38-49C	EL180UH090E60C	10084700
XP14-048-230	48,500	14.70	12.70	45,500	30,000	3.36	2.52	8.50	CX38-49C	EL180UH110E60C	10084712
XP14-048-230	49,000	14.50	12.70	46,000	30,000	3.38	2.52	8.50	CX38-49C	EL195UH090XE48C	10084471
XP14-048-230	49,000	14.50	12.70	46,000	30,000	3.40	2.54	8.50	CX38-49C	EL195UH110XE60C	10084481
XP14-048-230	49,000	14.50	12.70	46,000	30,000	3.38	2.52	8.50	CX38-49C	EL296UH090XE48C	10084605
XP14-048-230	49,000	14.50	12.70	46,000	30,000	3.40	2.48	8.50	CX38-49C	EL296UH090XV48C	10084574
XP14-048-230	49,000	14.50	12.70	46,000	30,000	3.40	2.50	8.50	CX38-49C	EL296UH090XV60C	10084589
XP14-048-230	49,000	14.50	12.70	46,000	30,000	3.40	2.54	8.50	CX38-49C	EL296UH110XE60C	10084644
XP14-048-230	49,000	14.50	12.70	46,000	30,000	3.40	2.50	8.50	CX38-49C	EL296UH110XV48C	10084582
XP14-048-230	49,000	14.50	12.70	46,000	30,000	3.40	2.50	8.50	CX38-49C	EL296UH110XV60C	10084576
XP14-048-230	49,000	14.70	12.70	46,000	30,000	3.44	2.52	8.50	CX38-49C	SL280UH090V60C	10084474
XP14-048-230	49,000	14.70	12.70	46,000	30,000	3.44	2.52	8.50	CX38-49C	SL280UH090XV60C	10085034
XP14-048-230	49,000	14.70	12.70	46,000	29,800	3.44	2.50	8.50	CX38-49C	SL280UH110V60C	10084480
XP14-048-230	49,000	14.70	12.70	46,000	29,800	3.44	2.50	8.50	CX38-49C	SL280UH110XV60C	10085049
XP14-048-230	49,000	14.50	12.70	46,000	30,000	3.40	2.48	8.50	CX38-49C	SLP98UH090XV48C	10084484
XP14-048-230	49,000	14.50	12.70	46,000	30,000	3.40	2.50	8.50	CX38-49C	SLP98UH090XV60C	10084487
XP14-048-230	49,000	14.50	12.70	46,000	30,000	3.40	2.50	8.50	CX38-49C	SLP98UH110XV60C	10084475
XP14-048-230	49,000	14.00	12.20	46,500	30,400	3.32	2.44	8.20	CX38-49C		10084107
XP14-048-230	47,500	14.70	12.50	47,500	31,000	3.14	2.44	8.20	CX38-60D	EL180UH135E60D	10086724
XP14-048-230	48,500	15.00	12.70	46,000	30,400	3.60	2.66	9.00	CX38-62C	EL180UH090E60C	10086717
XP14-048-230	48,500	15.00	12.70	46,000	30,400	3.58	2.66	9.00	CX38-62C	EL180UH110E60C	10086722

### NOTES:

Ratings are AHRI certified to AHRI Standard 210/240 (with 25 ft. of connecting refrigerant lines);

- Cooling Ratings - 95°F outdoor air temperature and 80°F db/67°F wb entering indoor coil air.

- High Temperature Heating Ratings - 47°F db/43°F wb outdoor air temperature and 70°F db entering indoor coil air.

- Low Temperature Heating Ratings - 17°F db/15°F wb outdoor air temperature and 70°F db entering indoor coil air.

All ratings include the use of a blower time delay relay (TDR). All Lennox variable-speed Furnaces and Air Handlers have time delay capabilities. Other Furnaces and Air Handlers may require an optional time delay relay (**58M81**) for field installation. See furnace or air handler specifications to determine if relay is needed.

Also see TXV Substitution Table at the beginning of the Heat Pump AHRI System Matches section.

When used with gas furnaces, a dual-fuel control, a control system with dual-fuel capabilities (LZP-2 or LZP-4), or a thermostat with dual-fuel capabilities must be used (ordered extra).

To convert HSPF from Region IV to Region V - Divide by 1.15.

## AHRI SYSTEM MATCHES

Model No.	Cooling Capacity	SEER	EER	Heat Capacity		Heat High	COP Low	HSPF (IV)	Coil or Air Handler	Furnace	AHRI Reference
				High	Low						
XP14-048-230	48,500	14.50	12.50	46,500	30,400	3.58	2.64	9.00	CX38-62C	EL195UH090XE48C	10086690
XP14-048-230	48,500	14.50	12.70	46,500	30,400	3.60	2.64	9.00	CX38-62C	EL195UH110XE60C	10086895
XP14-048-230	48,500	14.50	12.50	46,500	30,400	3.58	2.64	9.00	CX38-62C	EL296UH090XE48C	10086899
XP14-048-230	48,500	14.50	12.70	46,500	30,400	3.60	2.62	9.00	CX38-62C	EL296UH090XV48C	10086700
XP14-048-230	48,500	14.50	12.70	46,500	30,400	3.62	2.62	9.00	CX38-62C	EL296UH090XV60C	10086698
XP14-048-230	48,500	14.50	12.70	46,500	30,400	3.60	2.64	9.00	CX38-62C	EL296UH110XE60C	10086900
XP14-048-230	48,500	14.70	12.70	46,500	30,400	3.62	2.62	9.00	CX38-62C	EL296UH110XV48C	10086704
XP14-048-230	48,500	14.50	12.70	46,500	30,400	3.60	2.62	9.00	CX38-62C	EL296UH110XV60C	10086708
XP14-048-230	49,000	14.70	12.70	46,500	30,200	3.66	2.64	9.00	CX38-62C	SL280UH090V60C	10086686
XP14-048-230	49,000	14.70	12.70	46,500	30,200	3.66	2.64	9.00	CX38-62C	SL280UH090XV60C	10086747
XP14-048-230	48,500	14.70	12.70	46,000	30,200	3.60	2.64	9.00	CX38-62C	SL280UH110V60C	10086688
XP14-048-230	48,500	14.70	12.70	46,000	30,200	3.60	2.64	9.00	CX38-62C	SL280UH110XV60C	10086750
XP14-048-230	48,500	14.50	12.70	46,500	30,400	3.60	2.62	9.00	CX38-62C	SLP98UH090XV48C	10086689
XP14-048-230	48,500	14.50	12.70	46,500	30,400	3.62	2.62	9.00	CX38-62C	SLP98UH090XV60C	10086687
XP14-048-230	48,500	14.50	12.70	46,500	30,400	3.60	2.62	9.00	CX38-62C	SLP98UH110XV60C	10086691
XP14-048-230	48,500	14.00	12.20	47,000	30,800	3.52	2.56	8.70	CX38-62C		10086661
XP14-048-230	48,000	14.70	12.50	46,000	30,400	3.52	2.60	8.70	CX38-62D	EL180UH135E60D	10084722
XP14-048-230	48,000	14.50	12.20	46,000	30,600	3.44	2.56	8.70	CX38-62D	EL195UH135XE60D	10084482
XP14-048-230	48,000	14.50	12.20	46,000	30,600	3.44	2.56	8.70	CX38-62D	EL296UH135XE60D	10084651
XP14-048-230	48,000	14.50	12.50	46,000	30,400	3.50	2.56	8.70	CX38-62D	EL296UH135XV60D	10084591
XP14-048-230	48,000	14.50	12.50	46,000	30,200	3.52	2.56	8.70	CX38-62D	SL280UH135V60D	10084488
XP14-048-230	48,000	14.50	12.70	46,000	30,000	3.52	2.56	8.70	CX38-62D	SLP98UH135XV60D	10084465
XP14-060-230	57,500	14.50	12.00	54,000	35,000	3.28	2.36	8.20	C33-60D	EL180UH135E60D	5741098
XP14-060-230	57,500	14.00	11.70	54,500	35,200	3.26	2.34	8.20	C33-60D	EL195UH135XE60D	5432707
XP14-060-230	57,500	14.00	11.70	54,500	35,200	3.26	2.34	8.20	C33-60D	EL296UH135XE60D	5650835
XP14-060-230	60,500	15.20	12.50	54,500	36,200	3.28	2.52	8.70	C33-62C	EL180UH090E60C	5740267
XP14-060-230	60,500	15.00	12.50	54,500	36,200	3.26	2.50	8.50	C33-62C	EL180UH110E60C	5740721
XP14-060-230	60,500	15.00	12.50	54,500	36,200	3.26	2.48	8.50	C33-62C	EL195UH110XE60C	5432703
XP14-060-230	61,000	14.50	12.20	55,000	36,800	3.24	2.48	8.50	C33-62C	EL296UH090XV60C	5562907
XP14-060-230	60,500	15.00	12.50	54,500	36,200	3.26	2.48	8.50	C33-62C	EL296UH110XE60C	5650830
XP14-060-230	61,000	14.70	12.20	55,000	36,600	3.26	2.48	8.50	C33-62C	EL296UH110XV60C	5562911
XP14-060-230	61,000	15.00	12.50	55,000	36,400	3.30	2.50	8.70	C33-62C	SL280UH090V60C	5432697
XP14-060-230	61,000	15.00	12.50	55,000	36,400	3.30	2.50	8.70	C33-62C	SL280UH090XV60C	8133250
XP14-060-230	61,000	14.70	12.20	55,000	36,600	3.26	2.48	8.50	C33-62C	SL280UH110V60C	5432698
XP14-060-230	61,000	14.70	12.20	55,000	36,600	3.26	2.48	8.50	C33-62C	SL280UH110XV60C	8133279
XP14-060-230	61,000	14.50	12.20	55,000	36,800	3.24	2.48	8.50	C33-62C	SLP98UH090XV60C	5432724
XP14-060-230	61,000	14.70	12.20	55,000	36,600	3.26	2.48	8.50	C33-62C	SLP98UH110XV60C	5432715
XP14-060-230	61,000	14.70	12.20	55,000	36,600	3.26	2.48	8.50	C33-62C		5432645
XP14-060-230	57,500	14.50	12.20	55,000	36,400	3.20	2.38	8.20	C33-62D	EL180UH135E60D	5741096
XP14-060-230	57,500	14.20	12.00	55,000	36,800	3.14	2.36	8.20	C33-62D	EL195UH135XE60D	5432708
XP14-060-230	57,500	14.20	12.00	55,000	36,800	3.14	2.36	8.20	C33-62D	EL296UH135XE60D	5650836
XP14-060-230	57,500	14.20	12.00	55,000	36,600	3.18	2.38	8.20	C33-62D	EL296UH135XV60D	5562914
XP14-060-230	57,500	14.20	12.00	55,000	36,600	3.18	2.38	8.20	C33-62D	SL280UH135V60D	5432656
XP14-060-230	57,000	14.50	12.20	54,500	36,400	3.14	2.38	8.20	C33-62D	SLP98UH135XV60D	5432716
XP14-060-230	57,500	14.50	12.00	54,000	35,000	3.28	2.36	8.20	C37-60D	EL180UH135E60D	10084727
XP14-060-230	57,500	14.00	11.70	54,500	35,200	3.26	2.34	8.20	C37-60D	EL195UH135XE60D	10084496
XP14-060-230	57,500	14.00	11.70	54,500	35,200	3.26	2.34	8.20	C37-60D	EL296UH135XE60D	10084658

**NOTES:**

Ratings are AHRI certified to AHRI Standard 210/240 (with 25 ft. of connecting refrigerant lines);

- Cooling Ratings - 95°F outdoor air temperature and 80°F db/67°F wb entering indoor coil air.
- High Temperature Heating Ratings - 47°F db/43°F wb outdoor air temperature and 70°F db entering indoor coil air.
- Low Temperature Heating Ratings - 17°F db/15°F wb outdoor air temperature and 70°F db entering indoor coil air.

All ratings include the use of a blower time delay relay (TDR). All Lennox variable-speed Furnaces and Air Handlers have time delay capabilities. Other Furnaces and Air Handlers may require an optional time delay relay (**58M81**) for field installation. See furnace or air handler specifications to determine if relay is needed.

Also see TXV Substitution Table at the beginning of the Heat Pump AHRI System Matches section.

When used with gas furnaces, a dual-fuel control, a control system with dual-fuel capabilities (LZP-2 or LZP-4), or a thermostat with dual-fuel capabilities must be used (ordered extra).

To convert HSPF from Region IV to Region V - Divide by 1.15.

## AHRI SYSTEM MATCHES

Model No.	Cooling Capacity	SEER	EER	Heat Capacity		Heat COP		HSPF (IV)	Coil or Air Handler	Furnace	AHRI Reference
				High	Low	High	Low				
XP14-060-230	60,500	15.20	12.50	54,500	36,200	3.28	2.52	8.70	C37-62C	EL180UH090E60C	10084697
XP14-060-230	60,500	15.00	12.50	54,500	36,200	3.26	2.50	8.50	C37-62C	EL180UH110E60C	10084725
XP14-060-230	60,500	15.00	12.50	54,500	36,200	3.26	2.48	8.50	C37-62C	EL195UH110XE60C	10084492
XP14-060-230	61,000	14.50	12.20	55,000	36,800	3.24	2.48	8.50	C37-62C	EL296UH090XV60C	10084563
XP14-060-230	60,500	15.00	12.50	54,500	36,200	3.26	2.48	8.50	C37-62C	EL296UH110XE60C	10084666
XP14-060-230	61,000	14.70	12.20	55,000	36,600	3.26	2.48	8.50	C37-62C	EL296UH110XV60C	10084592
XP14-060-230	61,000	15.00	12.50	55,000	36,400	3.30	2.50	8.70	C37-62C	SL280UH090V60C	10084493
XP14-060-230	61,000	15.00	12.50	55,000	36,400	3.30	2.50	8.70	C37-62C	SL280UH090XV60C	10085035
XP14-060-230	61,000	14.70	12.20	55,000	36,600	3.26	2.48	8.50	C37-62C	SL280UH110V60C	10084495
XP14-060-230	61,000	14.70	12.20	55,000	36,600	3.26	2.48	8.50	C37-62C	SL280UH110XV60C	10085050
XP14-060-230	61,000	14.50	12.20	55,000	36,800	3.24	2.48	8.50	C37-62C	SLP98UH090XV60C	10084500
XP14-060-230	61,000	14.70	12.20	55,000	36,600	3.26	2.48	8.50	C37-62C	SLP98UH110XV60C	10084497
XP14-060-230	61,000	14.70	12.20	55,000	36,600	3.26	2.48	8.50	C37-62C		10084109
XP14-060-230	57,500	14.50	12.20	55,000	36,400	3.20	2.38	8.20	C37-62D	EL180UH135E60D	10084714
XP14-060-230	57,500	14.20	12.00	55,000	36,800	3.14	2.36	8.20	C37-62D	EL195UH135XE60D	10084498
XP14-060-230	57,500	14.20	12.00	55,000	36,800	3.14	2.36	8.20	C37-62D	EL296UH135XE60D	10084659
XP14-060-230	57,500	14.20	12.00	55,000	36,600	3.18	2.38	8.20	C37-62D	EL296UH135XV60D	10084583
XP14-060-230	57,500	14.20	12.00	55,000	36,600	3.18	2.38	8.20	C37-62D	SL280UH135V60D	10084489
XP14-060-230	57,000	14.50	12.20	54,500	36,400	3.14	2.38	8.20	C37-62D	SLP98UH135XV60D	10084499
XP14-060-230	59,000	15.00	12.50	56,000	36,800	3.52	2.62	8.50	CBA27UHE-060		10260318
XP14-060-230	58,500	14.00	12.00	55,500	35,800	3.28	2.46	8.20	CBX25UH-060		5727008
XP14-060-230	58,000	14.50	12.50	54,500	35,000	3.28	2.50	8.50	CBX25UHV-060		6970221
XP14-060-230	59,000	15.00	12.50	55,500	36,000	3.52	2.62	8.50	CBX27UH-060		5432658
XP14-060-230	59,000	14.50	12.00	56,500	37,200	3.22	2.50	8.50	CBX32M-060		5432676
XP14-060-230	59,000	14.50	12.00	57,000	37,200	3.24	2.48	8.50	CBX32MV-060		5432678
XP14-060-230	59,000	14.50	12.20	53,500	36,000	3.28	2.48	8.70	CBX32MV-068		5432679
XP14-060-230	59,000	14.50	12.00	57,000	37,200	3.24	2.48	8.50	CBX40UHV-060		5432684
XP14-060-230	59,500	15.00	12.50	57,000	37,400	3.48	2.60	9.00	CH23-68	EL180UH090E60C	5740265
XP14-060-230	59,500	14.70	12.50	57,000	37,400	3.46	2.58	9.00	CH23-68	EL180UH110E60C	5740723
XP14-060-230	60,000	15.00	12.70	57,000	37,600	3.52	2.62	9.00	CH23-68	EL180UH135E60D	5741095
XP14-060-230	59,500	15.00	12.50	57,000	37,400	3.50	2.60	9.00	CH23-68	EL195UH110XE60C	5432704
XP14-060-230	60,000	14.70	12.20	57,500	37,800	3.48	2.58	9.00	CH23-68	EL195UH135XE60D	5432709
XP14-060-230	59,500	15.00	12.50	57,000	37,400	3.50	2.60	9.00	CH23-68	EL296UH110XE60C	5650825
XP14-060-230	60,000	14.70	12.20	57,500	37,800	3.48	2.58	9.00	CH23-68	EL296UH135XE60D	5650827
XP14-060-230	60,000	14.70	12.50	57,500	37,800	3.50	2.60	9.00	CH23-68	EL296UH135XV60D	5562913
XP14-060-230	60,000	14.70	12.50	57,500	37,800	3.50	2.60	9.00	CH23-68	SL280UH135V60D	5432689
XP14-060-230	59,500	15.00	12.50	57,000	37,400	3.46	2.60	9.00	CH23-68	SLP98UH135XV60D	5432722
XP14-060-230	59,500	14.20	12.20	57,500	38,000	3.42	2.56	8.70	CH23-68		5432650
XP14-060-230	57,000	14.20	11.70	54,000	35,000	3.24	2.36	8.20	CH33-60D	EL180UH135E60D	5741097
XP14-060-230	57,000	14.00	11.70	54,500	35,200	3.22	2.32	8.20	CH33-60D	EL195UH135XE60D	5432710
XP14-060-230	57,000	14.00	11.70	54,500	35,200	3.22	2.32	8.20	CH33-60D	EL296UH135XE60D	5650829
XP14-060-230	57,500	14.50	12.20	54,000	36,000	3.24	2.42	8.50	CH33-62D	EL180UH135E60D	5741100
XP14-060-230	57,500	14.20	12.00	54,000	36,400	3.20	2.40	8.50	CH33-62D	EL195UH135XE60D	5432711
XP14-060-230	57,500	14.20	12.00	54,000	36,400	3.20	2.40	8.50	CH33-62D	EL296UH135XE60D	5650831
XP14-060-230	57,500	14.20	12.20	54,000	36,200	3.24	2.42	8.50	CH33-62D	EL296UH135XV60D	5562915
XP14-060-230	57,500	14.20	12.20	54,000	36,200	3.22	2.42	8.50	CH33-62D	SL280UH135V60D	5432668
XP14-060-230	57,500	14.50	12.20	54,000	36,200	3.22	2.42	8.50	CH33-62D	SLP98UH135XV60D	5432719

### NOTES:

Ratings are AHRI certified to AHRI Standard 210/240 (with 25 ft. of connecting refrigerant lines);

- Cooling Ratings - 95°F outdoor air temperature and 80°F db/67°F wb entering indoor coil air.

- High Temperature Heating Ratings - 47°F db/43°F wb outdoor air temperature and 70°F db entering indoor coil air.

- Low Temperature Heating Ratings - 17°F db/15°F wb outdoor air temperature and 70°F db entering indoor coil air.

All ratings include the use of a blower time delay relay (TDR). All Lennox variable-speed Furnaces and Air Handlers have time delay capabilities. Other Furnaces and Air Handlers may require an optional time delay relay (**58M81**) for field installation. See furnace or air handler specifications to determine if relay is needed.

Also see TXV Substitution Table at the beginning of the Heat Pump AHRI System Matches section.

When used with gas furnaces, a dual-fuel control, a control system with dual-fuel capabilities (LZP-2 or LZP-4), or a thermostat with dual-fuel capabilities must be used (ordered extra).

To convert HSPF from Region IV to Region V - Divide by 1.15.

## AHRI SYSTEM MATCHES

Model No.	Cooling Capacity	SEER	EER	Heat Capacity		Heat High	COP Low	HSPF (IV)	Coil or Air Handler	Furnace	AHRI Reference
				High	Low						
XP14-060-230	57,000	14.00	11.70	54,000	36,400	3.16	2.38	8.20	CH33-62D		5432653
XP14-060-230	59,000	14.70	12.20	58,000	37,800	3.16	2.46	8.20	CR33-50/60	EL180DF110E60C	5741638
XP14-060-230	58,500	14.00	11.70	58,000	37,600	3.10	2.42	8.20	CR33-50/60	EL195DF110XE60C	5432702
XP14-060-230	58,500	14.00	11.70	58,500	38,000	3.08	2.38	8.20	CR33-50/60	EL296DF090XV60C	5562905
XP14-060-230	58,500	14.00	11.70	58,000	37,600	3.10	2.42	8.20	CR33-50/60	EL296DF110XE60C	5650828
XP14-060-230	58,500	14.00	11.70	58,500	38,000	3.08	2.38	8.20	CR33-50/60	EL296DF110XV60C	5562906
XP14-060-230	59,000	14.50	12.00	58,500	37,800	3.14	2.44	8.20	CR33-50/60	SL280DF090V60C	5432672
XP14-060-230	59,000	14.70	12.20	58,000	37,800	3.12	2.44	8.20	CR33-50/60	SL280DF110V60C	5432673
XP14-060-230	58,500	14.00	11.70	58,500	38,000	3.08	2.38	8.20	CR33-50/60	SLP98DF090XV60C	5432720
XP14-060-230	58,500	14.00	11.70	58,500	38,000	3.08	2.38	8.20	CR33-50/60	SLP98DF110XV60C	5432721
XP14-060-230	58,500	14.20	11.70	58,500	38,000	3.08	2.38	8.20	CR33-50/60		5432648
XP14-060-230	58,500	14.20	11.70	58,500	38,000	3.08	2.38	8.20	CR33-60		5432649
XP14-060-230	57,500	14.50	12.00	54,000	35,000	3.28	2.36	8.20	CX34-60D	EL180UH135E60D	5741099
XP14-060-230	57,500	14.00	11.70	54,500	35,200	3.26	2.34	8.20	CX34-60D	EL195UH135XE60D	5432712
XP14-060-230	57,500	14.00	11.70	54,500	35,200	3.26	2.34	8.20	CX34-60D	EL296UH135XE60D	5650826
XP14-060-230	60,500	15.20	12.50	54,500	36,200	3.28	2.52	8.70	CX34-62C	EL180UH090E60C	5740268
XP14-060-230	60,500	15.00	12.50	54,500	36,200	3.26	2.50	8.50	CX34-62C	EL180UH110E60C	5740724
XP14-060-230	60,500	14.70	12.20	54,500	36,200	3.26	2.48	8.50	CX34-62C	EL195UH110XE60C	5432706
XP14-060-230	61,000	14.50	12.20	55,000	36,800	3.24	2.48	8.50	CX34-62C	EL296UH090XV60C	5562909
XP14-060-230	60,500	14.70	12.20	54,500	36,200	3.26	2.48	8.50	CX34-62C	EL296UH110XE60C	5650834
XP14-060-230	61,000	14.70	12.20	55,000	36,600	3.26	2.48	8.50	CX34-62C	EL296UH110XV60C	5562910
XP14-060-230	61,000	15.00	12.50	55,000	36,400	3.30	2.50	8.70	CX34-62C	SL280UH090V60C	5432693
XP14-060-230	61,000	15.00	12.50	55,000	36,400	3.30	2.50	8.70	CX34-62C	SL280UH090XV60C	8133249
XP14-060-230	61,000	14.70	12.20	55,000	36,600	3.26	2.48	8.50	CX34-62C	SL280UH110V60C	5432694
XP14-060-230	61,000	14.70	12.20	55,000	36,600	3.26	2.48	8.50	CX34-62C	SL280UH110XV60C	8133277
XP14-060-230	61,000	14.50	12.20	55,000	36,800	3.24	2.48	8.50	CX34-62C	SLP98UH090XV60C	5432723
XP14-060-230	61,000	14.70	12.20	55,000	36,600	3.26	2.48	8.50	CX34-62C	SLP98UH110XV60C	5432725
XP14-060-230	61,000	14.70	12.20	55,000	36,600	3.26	2.48	8.50	CX34-62C		5432651
XP14-060-230	57,500	14.50	12.20	55,000	36,400	3.20	2.38	8.20	CX34-62D	EL180UH135E60D	5741101
XP14-060-230	57,500	14.20	12.00	55,000	36,800	3.14	2.36	8.20	CX34-62D	EL195UH135XE60D	5432713
XP14-060-230	57,500	14.20	12.00	55,000	36,800	3.14	2.36	8.20	CX34-62D	EL296UH135XE60D	5650833
XP14-060-230	57,500	14.20	12.00	55,000	36,600	3.18	2.38	8.20	CX34-62D	EL296UH135XV60D	5562916
XP14-060-230	57,500	14.20	12.00	55,000	36,600	3.18	2.38	8.20	CX34-62D	SL280UH135V60D	5432701
XP14-060-230	57,000	14.50	12.20	54,500	36,400	3.14	2.38	8.20	CX34-62D	SLP98UH135XV60D	5432726
XP14-060-230	57,500	14.50	12.00	54,000	35,000	3.28	2.36	8.20	CX38-60D	EL180UH135E60D	10086725
XP14-060-230	57,500	14.00	11.70	54,500	35,200	3.26	2.34	8.20	CX38-60D	EL195UH135XE60D	10086692
XP14-060-230	57,500	14.00	11.70	54,500	35,200	3.26	2.34	8.20	CX38-60D	EL296UH135XE60D	10086897
XP14-060-230	60,500	15.20	12.50	54,500	36,200	3.28	2.52	8.70	CX38-62C	EL180UH090E60C	10086719
XP14-060-230	60,500	15.00	12.50	54,500	36,200	3.26	2.50	8.50	CX38-62C	EL180UH110E60C	10086723
XP14-060-230	60,500	14.70	12.20	54,500	36,200	3.26	2.48	8.50	CX38-62C	EL195UH110XE60C	10086696
XP14-060-230	61,000	14.50	12.20	55,000	36,800	3.24	2.48	8.50	CX38-62C	EL296UH090XV60C	10086702
XP14-060-230	60,500	14.70	12.20	54,500	36,200	3.26	2.48	8.50	CX38-62C	EL296UH110XE60C	10086898
XP14-060-230	61,000	14.70	12.20	55,000	36,600	3.26	2.48	8.50	CX38-62C	EL296UH110XV60C	10086709
XP14-060-230	61,000	15.00	12.50	55,000	36,400	3.30	2.50	8.70	CX38-62C	SL280UH090V60C	10086693
XP14-060-230	61,000	15.00	12.50	55,000	36,400	3.30	2.50	8.70	CX38-62C	SL280UH090XV60C	10086748
XP14-060-230	61,000	14.70	12.20	55,000	36,600	3.26	2.48	8.50	CX38-62C	SL280UH110V60C	10086694
XP14-060-230	61,000	14.70	12.20	55,000	36,600	3.26	2.48	8.50	CX38-62C	SL280UH110XV60C	10086751

**NOTES:**

Ratings are AHRI certified to AHRI Standard 210/240 (with 25 ft. of connecting refrigerant lines);

- Cooling Ratings - 95°F outdoor air temperature and 80°F db/67°F wb entering indoor coil air.
- High Temperature Heating Ratings - 47°F db/43°F wb outdoor air temperature and 70°F db entering indoor coil air.
- Low Temperature Heating Ratings - 17°F db/15°F wb outdoor air temperature and 70°F db entering indoor coil air.

All ratings include the use of a blower time delay relay (TDR). All Lennox variable-speed Furnaces and Air Handlers have time delay capabilities. Other Furnaces and Air Handlers may require an optional time delay relay (**58M81**) for field installation. See furnace or air handler specifications to determine if relay is needed.

Also see TXV Substitution Table at the beginning of the Heat Pump AHRI System Matches section.

When used with gas furnaces, a dual-fuel control, a control system with dual-fuel capabilities (LZP-2 or LZP-4), or a thermostat with dual-fuel capabilities must be used (ordered extra).

To convert HSPF from Region IV to Region V - Divide by 1.15.

## AHRI SYSTEM MATCHES

Model No.	Cooling Capacity	SEER	EER	Heat Capacity		Heat COP		HSPF (IV)	Coil or Air Handler	Furnace	AHRI Reference
				High	Low	High	Low				
XP14-060-230	61,000	14.50	12.20	55,000	36,800	3.24	2.48	8.50	CX38-62C	SLP98UH090XV60C	10086697
XP14-060-230	61,000	14.70	12.20	55,000	36,600	3.26	2.48	8.50	CX38-62C	SLP98UH110XV60C	10086695
XP14-060-230	61,000	14.70	12.20	55,000	36,600	3.26	2.48	8.50	CX38-62C		10086662
XP14-060-230	57,500	14.50	12.20	55,000	36,400	3.20	2.38	8.20	CX38-62D	EL180UH135E60D	10084723
XP14-060-230	57,500	14.20	12.00	55,000	36,800	3.14	2.36	8.20	CX38-62D	EL195UH135XE60D	10084494
XP14-060-230	57,500	14.20	12.00	55,000	36,800	3.14	2.36	8.20	CX38-62D	EL296UH135XE60D	10084660
XP14-060-230	57,500	14.20	12.00	55,000	36,600	3.18	2.38	8.20	CX38-62D	EL296UH135XV60D	10084572
XP14-060-230	57,500	14.20	12.00	55,000	36,600	3.18	2.38	8.20	CX38-62D	SL280UH135V60D	10084490
XP14-060-230	57,000	14.50	12.20	54,500	36,400	3.14	2.38	8.20	CX38-62D	SLP98UH135XV60D	10084491

### NOTES:

Ratings are AHRI certified to AHRI Standard 210/240 (with 25 ft. of connecting refrigerant lines);

- Cooling Ratings - 95°F outdoor air temperature and 80°F db/67°F wb entering indoor coil air.
- High Temperature Heating Ratings - 47°F db/43°F wb outdoor air temperature and 70°F db entering indoor coil air.
- Low Temperature Heating Ratings - 17°F db/15°F wb outdoor air temperature and 70°F db entering indoor coil air.

All ratings include the use of a blower time delay relay (TDR). All Lennox variable-speed Furnaces and Air Handlers have time delay capabilities. Other Furnaces and Air Handlers may require an optional time delay relay (**58M81**) for field installation. See furnace or air handler specifications to determine if relay is needed.

Also see TXV Substitution Table at the beginning of the Heat Pump AHRI System Matches section.

When used with gas furnaces, a dual-fuel control, a control system with dual-fuel capabilities (LZP-2 or LZP-4), or a thermostat with dual-fuel capabilities must be used (ordered extra).

To convert HSPF from Region IV to Region V - Divide by 1.15.



## REVISIONS

Sections	Description of Change
AHRI System Matches	Updated - New CBA27UHE Air Handler matches added.



Visit us at [www.lennox.com](http://www.lennox.com)

For the latest technical information, [www.lennox.com](http://www.lennox.com)

Contact us at 1-800-4-LENNOX

NOTE - Due to Lennox' ongoing commitment to quality, Specifications, Ratings and Dimensions subject to change without notice and without incurring liability. Improper installation, adjustment, alteration, service or maintenance can cause property damage or personal injury. Installation and service must be performed by a qualified installer and servicing agency.

©2017 Lennox Industries, Inc.