

**113R
LEGACY™ RNC 13 AIR CONDITIONER
1 & 3 PHASE
1-1/2 TO 5 NOMINAL TONS (SIZE 018 TO 060)**



Product Data



As an Energy Star® Partner, Bryant Heating & Cooling has determined that this product meets the Energy Star® guidelines for energy efficiency. Refer to the combination ratings in the Product Data for system combinations that meet Energy Star® guidelines.

NOTE: Ratings contained in this document are subject to change at any time. Always refer to the AHRI directory (www.ahridirectory.org) for the most up-to-date ratings information.

INDUSTRY LEADING FEATURES / BENEFITS

Efficiency

- 13 SEER/11 EER (Nominal)
- Microtube Technology™ refrigeration system
- Indoor air quality accessories available

Sound

- Sound level as low as 76 dBA
- As low as 74 dBA with optional accessory sound hood

Comfort

- System supports Thermidistat™ or standard thermostat controls

Reliability

- Front-seating service valves
- Scroll compressor
- Internal pressure relief valve
- Internal thermal overload
- Filter drier
- Balanced refrigeration system for maximum reliability

Durability

DuraGuard™ protection package:

- Solid, durable sheet metal construction
- Wire coil guard
- Baked-on, complete outer coverage, powder paint

Applications

- Long-line - up to 250 feet (76.20 m) total equivalent length, up to 200 feet (60.96 m) condenser above evaporator, or up to 60 ft. (18.28 m) evaporator above condenser (See Longline Guide for more information.)
- Low ambient (down to -20°F/-28.9°C) with accessory kit

MODEL NUMBER NOMENCLATURE

1	2	3	4	5	6	7	8	9	10	11	12	14
N	N	N	A	A/N	N	N	N	N	A/N	A/N	N	A
1	1	3	R	N	A	0	3	6	0	0	0	A
Product Family 1=AC	Tier 1= Legacy- RNC	SEER 3=13 SEER	Major Series R=R-22	Voltage N=208/230-1 P = 208/230-3 E = 460/3 T = 575/3	Variations A = Standard	Cooling Capacity			Open 0=Not Defined	Open 0=Not Defined	Open 0=Not Defined	Minor Series A = Original Series



This product has been designed and manufactured to meet Energy Star® criteria for energy efficiency when matched with appropriate coil components. However, proper refrigerant charge and proper air flow are critical to achieve rated capacity and efficiency. Installation of this product should follow all manufacturing refrigerant charging and air flow instructions. **Failure to confirm proper charge and air flow may reduce energy efficiency and shorten equipment life.**

STANDARD FEATURES

Feature	018	024	030	036	042	048	060
Maximum SEER	14.5	14.25	14.5	14	14	14	13.5
Scroll Compressor	X	X	X	X	X	X	X
Wire Coil Guard	X	X	X	X	X	X	X
Field – Installed Filter Drier	X	X	X	X	X	X	X
Front – Seating Service Valves	X	X	X	X	X	X	X
Internal Pressure Relief Valve	X	X	X	X	X	X	X
Internal Thermal Overload	X	X	X	X	X	X	X
Long – Line capability	X	X	X	X	X	X	X
Low Ambient capability with Kit	X	X	X	X	X	X	X

X = Standard

PHYSICAL DATA

UNIT SIZE-SERIES (VOLTAGE)	018-D (N)	018-E (N)	024-E (N)	024-F (N)	030-E (N, P)	031-F (P)	036-E (N, P, E) 036-D (T)	042-C (N, P, E, T)	048-D (N, P, E) 048-C (T)	060-H (N, P, E) 060-D (T)
Operating Weight lb (kg)	154 (69.8)	106 (48.1)	156 (70.8)	110 (49.9)	170 (77.1)	113 (51.2)	177 (80.3)	192 (87.1)	208 (94.3)	265 (120.2)
Shipping Weight lb (kg)	120 (54.4)	129 (58.5)	120 (54.4)	134 (60.8)	130 (59.0)	137 (51.2)	139 (63.0)	220 (99.8)	240 (108.9)	222 (100.7)
Compressor Type	Scroll									
REFRIGERANT	Freon® (R-22)									
Control	TXV (R-22 Hard Shutoff)									
Charge lb (kg)	3.9 (1.8)	3.5 (1.6)	4.5 (2.0)	3.8 (1.7)	4.9 (2.2)	4.3 (2.0)	5.4 (2.4)	6.84 (3.1)	7.54 (3.4)	9.2 (4.2)
COND FAN	Propeller Type, Direct Drive									
Air Discharge	Vertical									
Air Qty (CFM)	1880	1792	2200	1792	2730	2218	3170	3365	4050	4050
Motor HP	1/12	1/12	1/10	1/12	1/5	1/10	1/5	1/4	1/4	1/4
Motor RPM	1100	1100	1100	1100	1100	1100	1100	1100	800	800
COND COIL										
Face Area (Sq ft)	9.85	8.4	9.85	9.80	11.49	9.80	12.93	21.56	22.63	25.15
Fins per In.	20	25	20	25	25	25	25	25	25	25
Rows	1	1	1	1	1	1	1	1	1	1
Circuits	3	3	3	3	4	4	4	5	6	8
VALVE CONNECT. (In. ID)										
Vapor	3/4	3/4	3/4	3/4	3/4	3/4	7/8	7/8	7/8	7/8
Liquid	3/8"									
REFRIGERANT TUBES (In. OD)										
Rated Vapor*	3/4	3/4	3/4	3/4	3/4	3/4	7/8	7/8	7/8	1-1/8
Liquid	3/8"									

*Units are rated with 25 ft (7.6 m) of lineset length. See *Vapor Line Sizing and Cooling Capacity Loss* table when using other sizes and lengths of lineset.

Note: See unit Installation Instruction for proper installation.

VAPOR LINE SIZING AND COOLING CAPACITY LOSS

LONG LINE APPLICATION: An application is considered "Long line" when the total equivalent tubing length exceeds 80 ft. (24.38 m) or when there is more than 20 ft. (6.09 m) vertical separation between indoor and outdoor units. These applications require additional accessories and system modifications for reliable system operation. The maximum allowable total equivalent length is up to 250 ft. (76.2 m). The maximum

vertical separation is 200 ft. (60.96 m) when outdoor unit is above indoor unit, and up to 60 ft. (18.28 m) when the outdoor unit is below the indoor unit. Refer to Accessory Usage Guideline below for required accessories. See Longline Application Guideline for required piping and system modifications. Also, refer to the table below for the vapor tube diameters based on the total length to minimize the cooling capacity loss.

Unit Nominal Size (Btuh)	Maximum Liquid Line Diameters (In. OD)	Vapor Line Diameters (In. OD)	Cooling Capacity Loss (%)								
			Total Equivalent Line Length ft. (m)								
			Long Line Application Requires Accessories								
			26-50 (7.9-15.2)	51-80 (15.5-24.4)	81-100 (24.7-30.5)	101-105 (30.8-38.1)	126-150 (38.4-45.7)	151-175 (46.0-50.3)	176-200 (53.6-60.0)	201-225 (61.3-68.6)	226-250 (68.9-76.2)
18000 R-22 AC	3/8	5/8	1	1	2	2	3	4	4	5	6
		3/4	0	0	0	1	1	1	1	2	2
24000 R-22 AC	3/8	5/8	1	2	3	4	5	6	8	9	10
		3/4	0	0	1	1	2	2	3	3	3
		7/8	0	0	0	0	1	1	1	1	2
30000 R-22 AC	3/8	5/8	1	3	5	6	8	10	11	13	15
		3/4	0	1	1	2	3	3	4	5	5
		7/8	0	0	0	1	1	1	2	2	2
36000 R-22 AC	3/8	3/4	1	1	2	3	4	5	6	7	8
		7/8	0	0	1	1	2	2	3	3	4
42000 R-22 AC	3/8	3/4	1	2	3	4	5	7	8	9	10
		7/8	0	1	1	2	2	3	4	4	5
		1-1/8	0	0	0	0	0	0	1	1	1
48000 R-22 AC	3/8	3/4	1	2	4	5	7	8	10	11	13
		7/8	0	1	1	2	3	4	5	5	6
		1-1/8	0	0	0	0	0	0	1	1	1
60000 R-22 AC	3/8	7/8	1	2	3	4	5	7	8	9	10
		1-1/8	0	0	1	1	1	2	2	2	3

Applications in this area are long line. Accessories are required as shown recommended on Long Line Application Guidelines

Applications in this area may have height restrictions that limit allowable total equivalent length, when outdoor unit is below indoor unit See Long Line Application Guidelines.

113R

ACCESSORIES

ORDER NUMBER	DESCRIPTION	UNIT SIZE - VOLTAGE, SERIES																					
		018-D, E (N)	024-E, F (N)	030-E (N)	030-E (P)	031-F (N)	036-E (N)	036-E (P)	036-E (E)	036-E (T)	042-D (N)	042-D (P)	042-C (E)	042-C (T)	048-D (N)	048-D (P)	048-D (E)	048-C (T)	060-H (N)	060-H (P)	060-H (E)	060-D (T)	
KAAGH1201AAA	CRANKCASE HTR																						
KAACH1301AAA	CRANKCASE HTR																						
KAAGH1401AAA	CRANKCASE HTR	X	X	X	X	X	X	X	X	X	X	X	X	X	X	X	X	X	X	X	X	X	X
KAACH1501AAA	CRANKCASE HTR																						
STANDARD	CRANKCASE HTR																						
KSACV0101AAA	CYCLE PROTECTOR	X	X	X	X	X	X	X	X	X	X	X	X	X	X	X	X	X	X	X	X	X	X
KAATF0101AAA	FREEZE THERMOSTAT	X	X	X	X	X	X	X	X	X	X	X	X	X	X	X	X	X	X	X	X	X	X
KSASH1501AAA	HARD START (CAP/RELAY)	X	X	X	X	X	X	X	X	X	X	X	X	X	X	X	X	X	X	X	X	X	X
KSASH1701AAA	HARD START (CAP/RELAY)																						
KSALH0401R22	HIGH PRESS SW	X	X	X	X	X	X	X	X	X	X	X	X	X	X	X	X	X	X	X	X	X	X
KSALA0201R22	LOW AMBIENT PSW	X	X	X	X	X	X	X	X	X	X	X	X	X	X	X	X	X	X	X	X	X	X
KAALP0301R22	LOW PRESS SW	X	X	X	X	X	X	X	X	X	X	X	X	X	X	X	X	X	X	X	X	X	X
HC32GE234	MOTOR FAN BALL BEARING (230V)	X																					
HC34GE239	MOTOR FAN BALL BEARING (230V)		X																				
HC38GE227	MOTOR FAN BALL BEARING (230V)			X	X																		
HC38GE219	MOTOR FAN BALL BEARING (230V)					X	X																
HC38GE462*	MOTOR FAN BALL BEARING (460V)							X															
HC40GE226	MOTOR FAN BALL BEARING (230V)																						
HC40GE466	MOTOR FAN BALL BEARING (460V)																						
HC40GE228	MOTOR FAN BALL BEARING (230V)																						
HC40GE467	MOTOR FAN BALL BEARING (460V)																						
KSALA0601AAA	MOTORMASTER 230V	X	X	X	X	X	X	X	X	X	X	X	X	X	X	X	X	X	X	X	X	X	X
KSALA0701AAA	MOTORMASTER 460V																						
KAALS0101LS	SOLENOID VALVE	X	X	X	X	X	X	X	X	X	X	X	X	X	X	X	X	X	X	X	X	X	X
KSASH0601COP	SOUND BLKT	X	X	X	X	X	X	X	X	X	X	X	X	X	X	X	X	X	X	X	X	X	X
KSASH2101COP	SOUND BLKT																						
KAACS0201PTC	START ASSIST PTC	X	X	X	X	X	X	X	X	X	X	X	X	X	X	X	X	X	X	X	X	X	X
KSASF0101AAA	SUPPORT FEET	X	X	X	X	X	X	X	X	X	X	X	X	X	X	X	X	X	X	X	X	X	X
KAATD0101TDR	TIME DELAY	X	X	X	X	X	X	X	X	X	X	X	X	X	X	X	X	X	X	X	X	X	X
KSATX0601HSO	TXV	X	X	X	X	X	X	X	X	X	X	X	X	X	X	X	X	X	X	X	X	X	X
KSATX0701HSO	TXV																						
KSATX1001HSO	TXV																						
KAAWS0101AAA	WINTER START	X	X	X	X	X	X	X	X	X	X	X	X	X	X	X	X	X	X	X	X	X	X

X = Accessory S = Standard

*LA01RA324 Fan Blade changeout required (must use with 3 ton 460V ball bearing motor fan) (RCD)

ACCESSORY THERMOSTATS

THERMOSTAT / SUBBASE PKG.	DESCRIPTION
T6-PRH-01	Programmable Thermostat
T6-NRH-01	Non-programmable Thermostat
T1-PAC-01	Legacy RNC Series Programmable AC Stat
T1-NAAC-01	Legacy RNC Series Non-programmable AC Stat
TSTATBBPRH01-B	Thermostat Control - Programmable / Non-Programmable Thermostat with Humidity control
TSTATBBPAC01-B	Thermostat - Auto Changeover, 7 - Day Programmable, °F/°C, 1 - Stage Heat, 1 - Stage Cool
TSTATBBNAC01-C	Thermostat - Auto Changeover, Non-Programmable, °F/°C, 1 - Stage Heat, 1 - Stage Cool
TSTATBBAC01-B	Builder's Thermostat - Manual Changeover, Non-Programmable, °F/°C, 1 - Stage Heat, 1 - Stage Cool
TSTATBBSEN01-B	Outdoor Air Temperature Sensor
TSTATXXBP01	Backplate for Builder's Thermostat
TSTATXXNP01	Backplate for Non-Programmable Thermostat
TSTATXXBP01	Backplate for Programmable Thermostat
TSTATXXCNV10	Thermostat Conversion Kit (4 to 5 wires) - 10 Pack

ACCESSORY USAGE GUIDELINE

ACCESSORY	REQUIRED FOR LOW-AMBIENT COOLING APPLICATIONS (Below 55°F/12.8°C)	REQUIRED FOR LONG LINE APPLICATIONS* (Over 80 ft./24.38 m)	REQUIRED FOR SEA COAST APPLICATIONS (Within 2 miles/3.22 km)
Ball Bearing Fan Motor	Yes†	No	No
Compressor Start Assist Capacitor and Relay	Yes	Yes	No
Crankcase Heater	Yes	Yes	No
Evaporator Freeze Thermostat	Yes	No	No
Hard Shut-Off TXV	Yes	Yes	Yes
Liquid Line Solenoid Valve	No	No	No
Motor Master® or Low-ambient Pressure Switch	Yes	No	No
Support Feet	Recommended	No	Recommended
Winter Start Control	Yes	No	No

* For tubing line sets between 80 and 200 ft. (24.38 and 60.96 m) and/or 20 ft. (6.09 m) vertical differential, refer to Residential Split-System Longline Application Guideline.

† Additional requirement for Low-Ambient Controller (full modulation feature) MotorMaster® Control.

Accessory Description and Usage (Listed Alphabetically)

1. Ball-Bearing Fan Motor

A fan motor with ball bearings which permits speed reduction while maintaining bearing lubrication.

Usage Guideline:

Required on all units when using MotorMaster®.

2. Compressor Start Assist - Capacitor and Relay

Start capacitor and relay gives a "hard" boost to compressor motor at each start-up.

Usage Guideline:

Required for single-phase scroll compressors in the following applications:

Long-Line

Low-ambient cooling

Suggested for all compressors in areas with a history of low voltage problems.

3. Compressor Start Assist — PTC Type

Solid state electrical device which gives a "soft" boost to the compressor at each start-up.

Usage Guideline:

Suggested in installations with marginal power supply.

4. Crankcase Heater

An electric resistance heater which mounts to the base of the compressor to keep the lubricant warm during off cycles. Improves compressor lubrication on restart and minimizes the chance of liquid slugging.

Usage Guideline:

Required in low-ambient cooling applications.

Required in Long-Line applications.

Suggested in all commercial applications.

5. Cycle Protector

The cycle protector is designed to prevent compressor short cycling. This control provides an approximate 5-minute delay after power to the compressor has been interrupted for any reason, including power outage, protector control trip, thermostat jiggling, or normal cycling.

6. Evaporator Freeze Thermostat

An SPST temperature-actuated switch that stops unit operation when evaporator reaches freeze-up conditions.

Usage Guideline:

Required when low-ambient kit has been added.

7. Low-Ambient Pressure Switch Kit

A long-life pressure switch which is mounted to outdoor unit service valve. It is designed to cycle the outdoor fan motor in order to maintain head pressure within normal operating limits. The control will maintain working head pressure at low-ambient temperatures down to 0°F (-17.8°C) when properly installed.

Usage Guideline:

A Low-Ambient Pressure Switch must be used when cooling operation is at outdoor temperatures below 55°F (12.8°C) to a minimum of 0°F (-17.8°C).

Suggested for all commercial applications.

8. MotorMaster® Low-Ambient Controller

A fan-speed control device activated by a temperature sensor, designed to control condenser fan motor speed in response to the saturated condensing temperature during operation in cooling mode only. For outdoor temperatures down to -20°F (-28.9°C), it maintains condensing temperature at 100°F ±10°F (37.8°C ± 6.5°C).

Usage Guideline:

A MotorMaster® Low Ambient Controller or Low-Ambient Pressure Switch must be used when cooling operation is used at outdoor temperatures below 55°F (12.8°C).

Suggested for all commercial applications.

9. Outdoor Air Temperature Sensor

Designed for use with Bryant Thermostats listed in this publication. This device enables the thermostat to display the outdoor temperature. This device is also required to enable special thermostat features such as auxiliary heat lock out.

Usage Guideline:

Suggested for all Bryant thermostats listed in this publication.

10. Sound Hood

Wraparound sound reducing cover for the compressor. Reduces the sound level by about 2 dBA.

Usage Guideline:

Suggested when unit is installed closer than 15 ft (4.57 m) to quiet areas, bedrooms, etc.

Suggested when unit is installed between two houses less than 10 ft (3.05 m) apart.

11. Support Feet

Four stick-on plastic feet that raise the unit 4 in. (101.6 mm) above the mounting pad. This allows sand, dirt, and other debris to be flushed from the unit base, minimizing corrosion.

Usage Guideline:

Suggested in the following applications:

Coastal installations.

Windy areas or where debris is normally circulating.

Roof top installations.

For improved sound ratings.

CHARGING SUBCOOLING (TXV-TYPE EXPANSION DEVICE)

UNIT SIZE-SERIES	REQUIRED SUBCOOLING °F (°C)
018-D, E	10 (5.6)
024-E	11 (6.1)
024-F	10 (5.6)
030-E, F	10 (5.6)
031-F	10 (5.6)
036-D, E	7 (3.9)
042-C	11 (6.1)
048-C, D	10 (5.6)
060-D, H	10 (5.6)

ELECTRICAL DATA

UNIT SIZE - SERIES	V/PH	OPER VOLTS*		COMPR		FAN	MCA	MIN WIRE SIZE†	MIN WIRE SIZE†	MAX LENGTH ft. (m)‡	MAX LENGTH ft. (m)‡	MAX FUSE** or CKT BRK AMPS
		MAX	MIN	LRA	RLA	FLA		60° C	75° C	60° C	75° C	
018-D	208/230/1	253	197	40.3	7.7	0.5	10.1	14	14	78 (23.8)	74 (22.6)	15
018-E				40.3	7.7	0.5	10.1	14	14	78 (23.8)	74 (22.6)	15
024-E				54.0	10.4	0.75	13.8	14	14	57 (17.4)	54 (16.5)	20
024-F				45.2	10.4	0.5	13.6	14	14	57 (17.4)	54 (16.5)	20
030-E				68.0	14.1	1.1	18.7	14	14	42 (12.8)	40 (12.2)	30
031-F				68.0	14.1	.75	18.4	14	14	42 (12.8)	40 (12.2)	30
036-E				77.0	14.4	1.1	19.1	12	12	65 (19.8)	62 (18.9)	30
042-C				104.0	19.2	1.4	25.4	10	10	79 (24.1)	75 (22.9)	40
048-D				137.0	20.2	1.2	26.4	10	10	76 (23.2)	72 (21.9)	40
060-H				141.0	25.3	1.2	32.9	8	8	94 (28.7)	90 (27.4)	50
030-E	208/230/3	253	197	58.0	9.9	1.1	10.7	14	14	85 (25.9)	81 (24.7)	15
036-E				73.0	10.0	1.1	13.6	14	14	69 (21.0)	66 (20.1)	20
042-C				88.0	12.8	1.4	17.4	12	12	83 (25.3)	79 (24.0)	25
048-D				83.1	13.1	1.2	17.6	12	12	82 (25.0)	78 (23.8)	25
060-H				110.0	15.8	1.2	21.0	10	10	113 (34.4)	108 (32.9)	30
036-E	460/3	506	414	38.0	5.8	0.6	7.7	14	14	236 (71.9)	225 (68.6)	15
042-C				44.0	6.0	0.7	8.2	14	14	222 (67.7)	211 (64.3)	15
048-D				41.0	6.1	0.6	8.2	14	14	222 (67.7)	211 (64.3)	15
060-H				52.0	7.3	0.6	9.7	14	14	193 (58.8)	184 (56.1)	15
036-D	575/3	632	518	27.8	4.0	0.5	5.5	14	14	303 (92.4)	288 (87.8)	15
042-C				33.0	4.7	0.5	6.4	14	14	260 (79.2)	247 (75.3)	15
048-C				33.0	4.6	0.5	6.3	14	14	260 (79.2)	247 (75.3)	15
060-D				38.9	5.6	0.5	7.6	14	14	227 (69.2)	216 (65.8)	15

* Permissible limits of the voltage range at which the unit will operate satisfactorily

† If wire is applied at ambient greater than 30° C (86° F), consult table 310-16 of the NEC (ANSI/NFPA 70). The ampacity of non-metallic-sheathed cable (NM), trade name ROMEX, shall be that of 60° C (140° F) conditions, per the NEC (ANSI/NFPA 70) Article 336-26. If other than uncoated (no-plated), 60° or 75° C (140° or 167° F) insulation, copper wire (solid wire for 10 AWG or smaller, stranded wire for larger than 10 AWG) is used, consult applicable tables of the NEC (ANSI/NFPA 70).

‡ Length shown is as measured 1 way along wire path between unit and service panel for voltage drop not to exceed 2%.

** Time-Delay fuse.

FLA - Full Load Amps

LRA - Locked Rotor Amps

MCA - Minimum Circuit Amps

RLA - Rated Load Amps

NOTE: Control circuit is 24-V on all units and requires external power source. Copper wire must be used from service disconnect to unit.

All motors/compressors contain internal overload protection.

Complies with 2001 requirements of ASHRAE Standards 90.1

A-WEIGHTED SOUND POWER LEVEL

UNIT SIZE – SERIES	STANDARD RATING dBA	TYPICAL OCTAVE BAND SPECTRUM (dBA, without tone adjustment)						
		125	250	500	1000	2000	4000	8000
018–D	76	51.0	61.5	67.0	68.5	66.0	61.0	55.5
018–E	73	54.5	59.5	66.0	68.5	65.0	59.0	53.0
024–E	76	54.0	64.0	69.0	71.0	69.0	64.5	59.0
024–F	73	51.0	60.5	69.0	68.0	65.0	60.0	55.5
030–E	76	54.5	64.5	70.0	70.5	67.5	63.0	57.0
031–F	75	57.0	60.0	68.5	70.0	68.0	60.5	57.5
036–E, D	78	58.8	69.5	72.0	73.5	68.5	65.0	59.5
042–C	79	60.5	68.5	71.5	75.5	69.5	65.5	66.0
048–D, C	80	51.5	63.5	66.0	76.0	68.0	66.5	63.5
060–H,D	80	54.5	63.5	71.5	74.5	67.0	68.0	68.5

NOTE: Tested in accordance with ARI Standard 270–95 (not listed in ARI).

A-WEIGHTED SOUND POWER LEVEL WITH ACCESSORY SOUND HOOD

UNIT SIZE – SERIES	STANDARD RATING dBA	TYPICAL OCTAVE BAND SPECTRUM (dBA, without tone adjustment)						
		125	250	500	1000	2000	4000	8000
018–D	74	52.5	62.5	68	69	67	61.5	55
018–E	71	55.5	60.5	64.5	67.0	63.5	58.0	52.0
024–E	75	56.5	65.0	69.5	70.0	69.0	64.5	59.0
024–F	72	52.0	62.0	67.0	66.5	63.0	58.0	52.0
030–E	75	55.0	65.5	70.0	70.0	68.0	63.0	55.5
031–F	74	55.0	60.5	68.0	69.0	67.0	60.5	56.0
036–E, D	78	60.5	70.0	72.5	72.5	69.5	66.5	60.0
042–C	78	61.5	68.0	71.5	74.5	68.5	63.0	61.5
048–D, C	79	53.0	63.5	65.0	75.0	66.0	62.0	59.5
060–H,D	76	55.5	63.5	70.5	72.5	65.5	64.0	63.0

NOTE: Tested in accordance with ARI Standard 270–95 (not listed in ARI).

113R

DIMENSIONS - ENGLISH

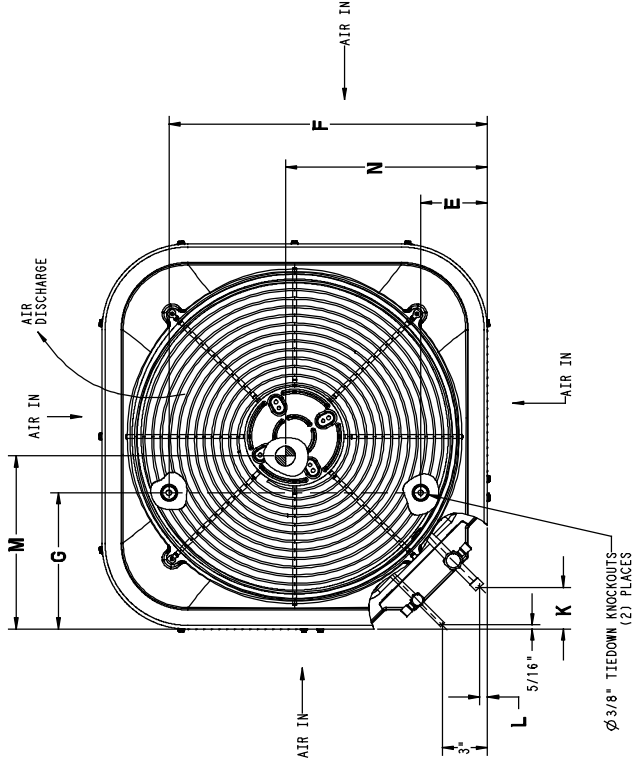
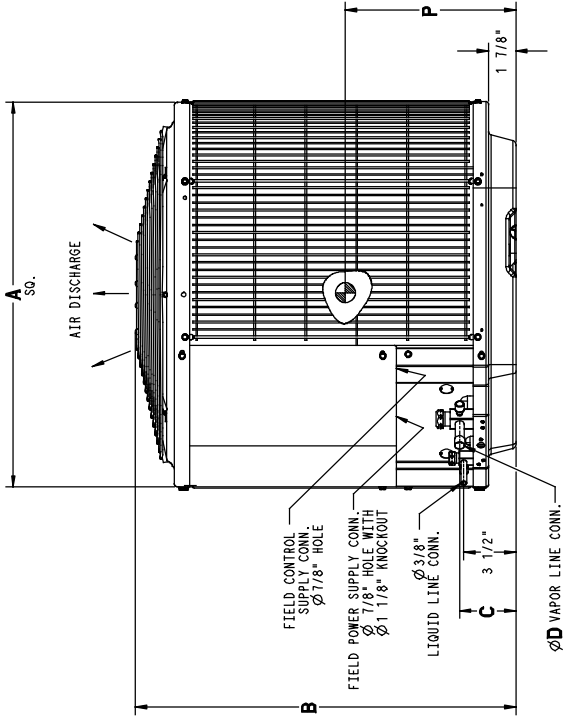
UNIT	SERIES	ELECTRICAL CHARACTERISTICS	A	B	C	D	E	F	G	K	L	M	N	P	OPERATING WEIGHT (lbs)	SHIPPING WEIGHT (lbs)	SHIPPING DIMENSIONS (L x W x H)
113R018	D	X 0 0	25 3/4"	25"	3 3/4"	3/4"	4 7/16"	21 1/4"	9 1/8"	2 13/16"	1/2"	13 1/2"	14"	10 1/2"	154	120	26 7/8" X 30 1/16" X 32 9/16"
113R024	E	X 0 0	25 3/4"	25"	3 3/4"	3/4"	4 7/16"	21 1/4"	9 1/8"	2 13/16"	1/2"	11 1/2"	12 1/2"	10"	156	120	26 7/8" X 30 1/16" X 32 9/16"
113R030	E	X 0 0	25 3/4"	28 7/16"	3 3/4"	3/4"	4 7/16"	21 1/4"	9 1/8"	2 13/16"	1/2"	15 1/2"	12 1/2"	14 1/4"	170	130	26 7/8" X 30 1/16" X 32 9/16"
113R036	D	X 0 0	31 3/16"	25 1/2"	3 7/8"	7/8"	6 9/16"	24 11/16"	9 1/8"	2 13/16"	1/2"	16"	15 1/4"	13"	177	139	32 3/8" X 35 1/2" X 32 9/16"
113R042	C	X 0 X	31 3/16"	39 1/8"	3 7/8"	7/8"	6 9/16"	24 11/16"	9 1/8"	2 15/16"	5/8"	16 7/8"	16"	18 3/4"	192	220	32 3/8" X 35 1/2" X 42 3/4"
113R048	D	X 0 X	35"	35 3/4"	3 7/8"	7/8"	6 9/16"	28 7/16"	9 1/8"	2 15/16"	5/8"	18 1/4"	18 1/2"	17 1/2"	206	240	36 1/8" X 39 5/16" X 39 3/8"
113R060	H	X 0 X	35"	39 1/8"	3 7/8"	7/8"	6 9/16"	28 7/16"	9 1/8"	2 15/16"	5/8"	17 1/4"	16"	15 1/2"	265	222	36 1/8" X 39 5/16" X 42 3/4"

NOTES:

1. ALLOW 30" CLEARANCE TO SERVICE SIDE OF UNIT.
48" ABOVE UNIT, 6" ON ONE SIDE, 12" ON REMAINING SIDE, AND 24" BETWEEN UNITS FOR PROPER AIRFLOW.
2. MINIMUM OUTDOOR OPERATING AMBIENT IN COOLING MODE IS 35° F, MAX. 125° F.
3. SERIES DESIGNATION IS THE 10TH POSITION OF THE UNIT MODEL NUMBER.
4. CENTER OF GRAVITY
5. ALL DIMENSIONS ARE IN *INCHES* UNLESS NOTED.

X = YES
O = NO

208-230-160	575-3-60	208/230-3-60	460-3-60
-------------	----------	--------------	----------



UNIT SIZE	MINIMUM MOUNTING PAD DIMENSIONS
18, 24, 30	26" X 26"
36, 42	31 1/2" X 31 1/2"
48, 60	35" X 35"

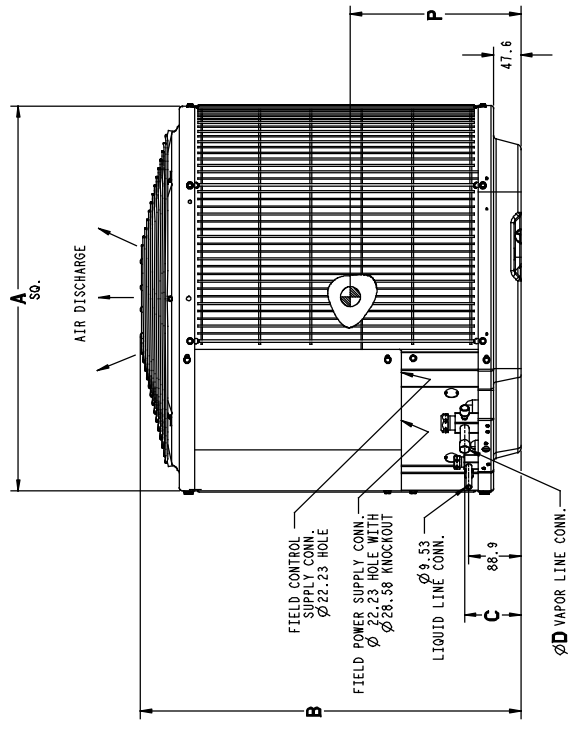
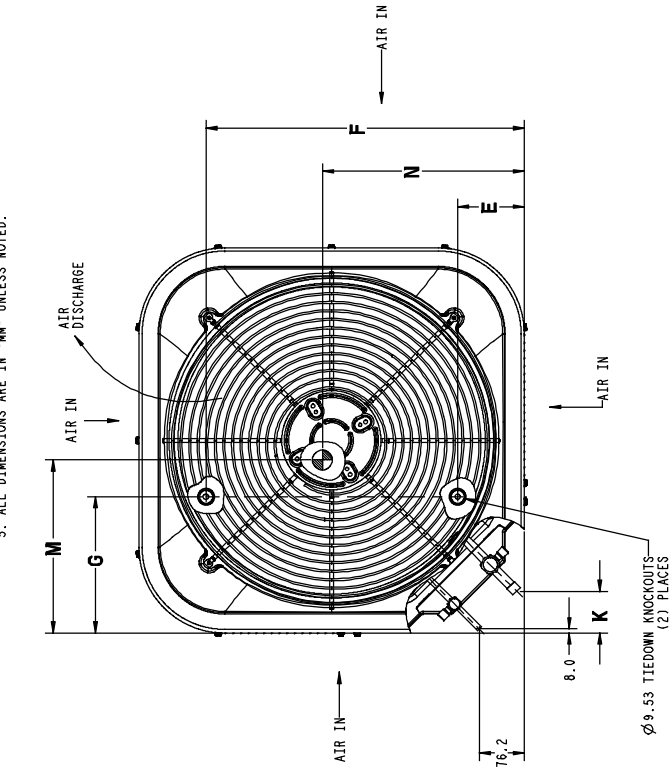
DIMENSIONS - SI

UNIT	SERIES	ELECTRICAL CHARACTERISTICS	A	B	C	D	E	F	G	K	L	M	N	P	OPERATING WEIGHT (KGS)	SHIPPING WEIGHT (KGS)	SHIPPING DIMENSIONS (L X W X H)
113R018	D	X 0 0 0	654.0	635.0	95.2	19.0	112.7	539.8	231.8	71.4	12.7	342.9	355.6	286.7	69.8	54.4	682.6 X 783.6 X 827.1
113R024	E	X 0 0 0	654.0	635.0	95.2	19.0	112.7	539.8	231.8	71.4	12.7	292.1	317.5	254.0	70.8	54.4	682.6 X 783.6 X 827.1
113R030	E	X 0 0 0	654.0	722.3	95.2	19.0	112.7	539.8	231.8	71.4	12.7	393.7	317.5	382.0	77.1	59.0	682.6 X 783.6 X 827.1
113R036	D	0 X 0 0	792.2	647.7	98.4	22.2	166.7	627.1	231.8	71.4	12.7	406.4	387.4	330.2	80.3	63.0	822.3 X 901.7 X 827.1
113R042	C	X X X X	792.2	993.8	98.4	22.2	166.7	627.1	231.8	74.6	15.9	428.6	406.4	476.2	87.1	99.8	822.3 X 901.7 X 1085.8
113R048	D	X 0 X X	889.0	908.0	98.4	22.2	166.7	627.1	231.8	74.6	15.9	463.6	469.9	444.5	93.4	108.9	917.6 X 998.6 X 1000.1
113R060	H	X 0 X X	889.0	993.8	98.4	22.2	166.7	627.1	231.8	74.6	15.9	438.2	406.4	393.7	120.2	100.7	917.6 X 998.6 X 1085.8

208-230-160	575-3-60	208/230-3-60	460-3-60
-------------	----------	--------------	----------

X = YES
0 = NO

- NOTES:
- ALLOW 762.0 CLEARANCE TO SERVICE SIDE OF UNIT, 1219.2 ABOVE UNIT, 152.4 ON ONE SIDE, 304.8 ON REMAINING SIDE, AND 609.6 BETWEEN UNITS FOR PROPER AIRFLOW.
 - MINIMUM OUTDOOR OPERATING AMBIENT IN COOLING MODE IS 13 C, MAX. 52 C.
 - SERIES DESIGNATION IS THE 10TH POSITION OF THE UNIT MODEL NUMBER.
 - CENTER OF GRAVITY
 - ALL DIMENSIONS ARE IN "MM" UNLESS NOTED.




UNIT SIZE	MINIMUM MOUNTING PAD DIMENSIONS
18, 24, 30	660.4 X 660.4
36, 42	800.1 X 800.1
48, 60	889.0 X 889.0

DIMENSIONS - SI (CONTINUED)

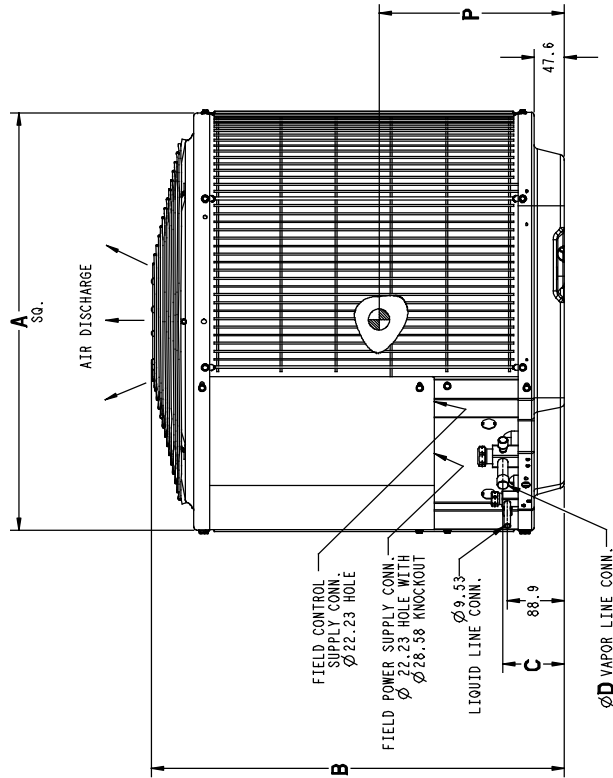
UNIT	SERIES	ELECTRICAL CHARACTERISTICS	A	B	C	D	E	F	G	K	L	M	N	P	OPERATING WEIGHT (Kgs)	SHIPPING WEIGHT (Kgs)	SHIPPING DIMENSIONS (L x W x H)
113R018	E	X 0 0 0	596.9	643.0	95.2	19.0	112.7	458.8	198.4	71.4	12.7	419.1	381.0	254.0	48.1	58.5	616.0 X 695.3 X 850.9
113R024	F	X 0 0 0	596.9	728.7	95.2	19.0	112.7	458.8	198.4	71.4	12.7	419.1	381.0	355.6	49.9	60.8	616.0 X 695.3 X 850.9
113R031	F	X 0 0 0	596.9	728.7	95.2	19.0	112.7	458.8	198.4	71.4	12.7	419.1	381.0	355.6	51.2	62.1	616.0 X 695.3 X 850.9

NOTES:

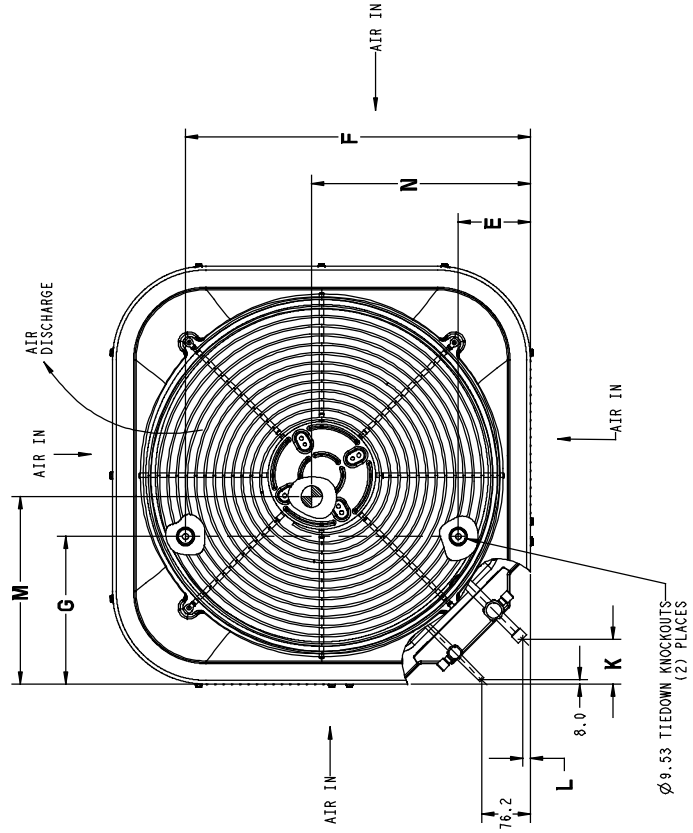
- ALLOW 762.0 CLEARANCE TO SERVICE SIDE OF UNIT.
1219.2 ABOVE UNIT - 152.4 ON ONE SIDE 304.8 ON REMAINING SIDE,
AND 609.6 BETWEEN UNITS FOR PROPER AIRFLOW.
- MINIMUM OUTDOOR OPERATING AMBIENT IN COOLING
MODE IS 13°C, MAX. 52°C.
- SERIES DESIGNATION IS THE 10TH POSITION OF THE
UNIT MODEL NUMBER.
- CENTER OF GRAVITY 
- ALL DIMENSIONS ARE IN "MM" UNLESS NOTED.

X = YES
O = NO

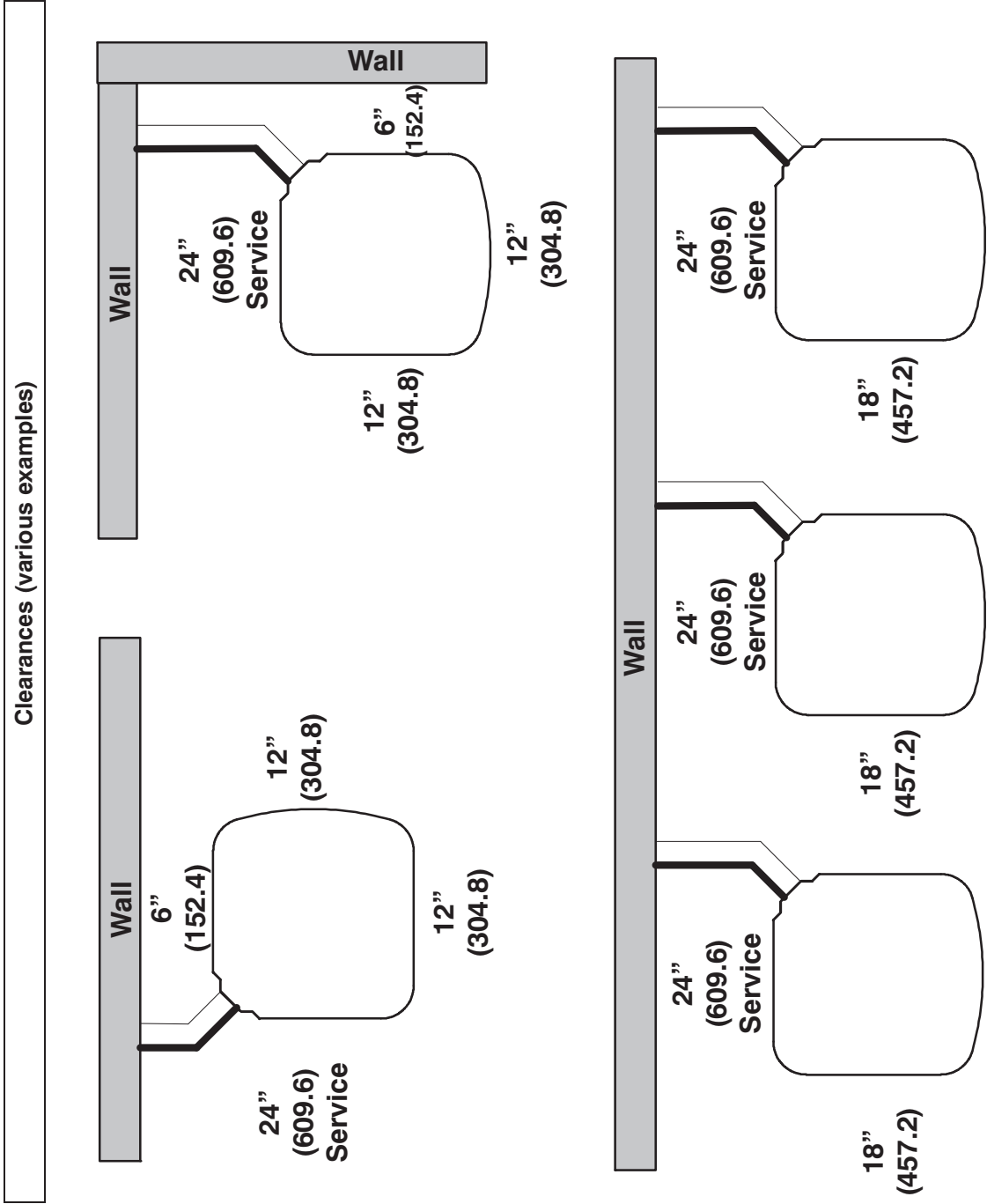
460-3-60
208/230-3-60
230-160
208-230-160



UNIT SIZE	MINIMUM MOUNTING PAD DIMENSIONS
18,24,31	596.9 X 596.9
-	660.4 X 660.4
-	800.1 X 800.1
-	889.0 X 889.0



CLEARANCES



Note: Numbers in () = mm

IMPORTANT: When installing multiple units in an alcove, roof well, or partially enclosed area, ensure there is adequate ventilation to prevent re-circulation of discharge air.

COMBINATION RATINGS

ARI Ref. No.	Model Number	Indoor Model	Furnace Model	Capacity	EER	SEER	Phase
3043785	113RN(A,G)018-D	†CAR**1814A**+TDR		17100	11.20	13.00	1
3043786	113RN(A,G)018-D	CAR**1814A**	313*AV024045	17200	12.20	14.50	1
3043792	113RN(A,G)018-D	CAR**1814A**	315(A,J)AV036070	17000	12.00	14.00	1
3043787	113RN(A,G)018-D	CAR**2414A**	313*AV024045	17700	12.20	14.50	1
3043793	113RN(A,G)018-D	CAR**2414A**	315(A,J)AV036070	17300	12.00	14.00	1
3043795	113RN(A,G)018-D	CAR**2417A**	315(A,J)AV048090	17400	12.00	14.00	1
3113431	113RN(A,G)018-D	CAR**2417A**	353AAV036040	17600	13.00	15.00	1
3113432	113RN(A,G)018-D	CAR**2417A**	353AAV036060	17600	13.00	15.00	1
3043794	113RN(A,G)018-D	CAR**2417A**	355(A,C)AV042060	17400	12.00	14.00	1
3043806	113RN(A,G)018-D	CNRH*2418A**+TDR		17500	11.20	13.00	1
3043790	113RN(A,G)018-D	CNRH*2417A**	313*AV024045	17700	12.20	14.50	1
3043804	113RN(A,G)018-D	CNRH*2417A**	315(A,J)AV036070	17400	12.00	14.00	1
3043805	113RN(A,G)018-D	CNRH*2417A**	315(A,J)AV048090	17500	12.00	14.00	1
3113435	113RN(A,G)018-D	CNRH*2417A**	353AAV036040	17600	13.00	15.00	1
3113436	113RN(A,G)018-D	CNRH*2417A**	353AAV036060	17600	13.00	15.00	1
3043801	113RN(A,G)018-D	CNRH*2417A**	355(A,C)AV042040	17400	12.00	14.00	1
3043802	113RN(A,G)018-D	CNRH*2417A**	355(A,C)AV042060	17400	12.00	14.00	1
3043803	113RN(A,G)018-D	CNRH*2417A**	355(A,C)AV042080	17400	12.00	14.00	1
3043800	113RN(A,G)018-D	CNRH*2417A**+TDR		17500	11.20	13.00	1
3043788	113RN(A,G)018-D	CNRV*1814A**	313*AV024045	17200	12.20	14.50	1
3043796	113RN(A,G)018-D	CNRV*1814A**	315(A,J)AV036070	17300	12.00	14.00	1
3092028	113RN(A,G)018-D	CNRV*1814A**+TDR		17100	11.20	13.00	1
3043789	113RN(A,G)018-D	CNRV*2414A**	313*AV024045	17700	12.20	14.50	1
3043797	113RN(A,G)018-D	CNRV*2414A**	315(A,J)AV036070	17400	12.00	14.00	1
3043799	113RN(A,G)018-D	CNRV*2417A**	315(A,J)AV048090	17500	12.00	14.00	1
3113433	113RN(A,G)018-D	CNRV*2417A**	353AAV036040	17600	13.00	15.00	1
3113434	113RN(A,G)018-D	CNRV*2417A**	353AAV036060	17600	13.00	15.00	1
3043798	113RN(A,G)018-D	CNRV*2417A**	355(A,C)AV042060	17400	12.00	14.00	1
3043791	113RN(A,G)018-D	CSRH*2412A**	313*AV024045	17700	12.20	14.50	1
3043811	113RN(A,G)018-D	CSRH*2412A**	315(A,J)AV036070	17400	12.00	14.00	1
3043812	113RN(A,G)018-D	CSRH*2412A**	315(A,J)AV048090	17500	12.00	14.00	1
3113437	113RN(A,G)018-D	CSRH*2412A**	353AAV036040	17600	13.00	15.00	1
3113438	113RN(A,G)018-D	CSRH*2412A**	353AAV036060	17600	13.00	15.00	1
3043808	113RN(A,G)018-D	CSRH*2412A**	355(A,C)AV042040	17600	12.00	14.00	1
3043809	113RN(A,G)018-D	CSRH*2412A**	355(A,C)AV042060	17400	12.00	14.00	1
3043810	113RN(A,G)018-D	CSRH*2412A**	355(A,C)AV042080	17400	12.00	14.00	1
3043807	113RN(A,G)018-D	CSRH*2412A**+TDR		17500	11.20	13.00	1
3043813	113RN(A,G)018-D	FA4CN(F,C)018		17300	11.20	13.00	1
3043814	113RN(A,G)018-D	FA4CN(F,C)024		17300	11.20	13.00	1
3043815	113RN(A,G)018-D	FC4DNF018		17600	12.00	14.00	1
3043816	113RN(A,G)018-D	FC4DNF024		17700	12.00	14.00	1
3043817	113RN(A,G)018-D	FF1ENE018		17000	11.20	13.00	1
3043818	113RN(A,G)018-D	FF1ENE024		17400	11.50	13.20	1
3043819	113RN(A,G)018-D	FK4DNF001		17500	12.00	14.00	1
3043820	113RN(A,G)018-D	FK4DNF002		16900	12.00	14.00	1
3163548	113RN(A,G)018-E	†CAR**1814A**+TDR		17000	11.20	13.00	1
3163550	113RN(A,G)018-E	CAR**1814A**	313*AV024045	17000	12.20	14.50	1
3163549	113RN(A,G)018-E	CAR**1814A**	315(A,J)AV036070	17000	12.20	14.50	1
3163553	113RN(A,G)018-E	CAR**2414A**	313*AV024045	17000	13.00	15.00	1
3163552	113RN(A,G)018-E	CAR**2414A**	315(A,J)AV036070	17000	13.00	14.50	1
3163551	113RN(A,G)018-E	CAR**2414A**+TDR		17000	11.70	13.50	1
3163556	113RN(A,G)018-E	CAR**2417A**	315(A,J)AV048090	17000	13.00	15.00	1
3163557	113RN(A,G)018-E	CAR**2417A**	353AAV036040	17000	13.00	15.00	1
3163558	113RN(A,G)018-E	CAR**2417A**	353AAV036060	17000	13.00	15.00	1
3163555	113RN(A,G)018-E	CAR**2417A**	355(A,C)AV042060	17000	13.00	14.50	1
3163554	113RN(A,G)018-E	CAR**2417A**+TDR		17000	11.70	13.50	1
3163579	113RN(A,G)018-E	CNRH*2418A**+TDR		17000	11.70	13.50	1
3163576	113RN(A,G)018-E	CNRH*2417A**	313*AV024045	17000	13.00	15.00	1
3163574	113RN(A,G)018-E	CNRH*2417A**	315(A,J)AV036070	17000	13.00	14.50	1
3163575	113RN(A,G)018-E	CNRH*2417A**	315(A,J)AV048090	17000	13.00	15.00	1
3163577	113RN(A,G)018-E	CNRH*2417A**	353AAV036040	17000	13.00	15.00	1
3163578	113RN(A,G)018-E	CNRH*2417A**	353AAV036060	17000	13.00	15.00	1
3163572	113RN(A,G)018-E	CNRH*2417A**	355(A,C)AV042060	17000	13.00	14.50	1
3163573	113RN(A,G)018-E	CNRH*2417A**	355(A,C)AV042080	17000	13.00	15.00	1
3163571	113RN(A,G)018-E	CNRH*2417A**	355AAV042040	17000	13.00	15.00	1
3163570	113RN(A,G)018-E	CNRH*2417A**+TDR		17000	11.70	13.50	1
3163561	113RN(A,G)018-E	CNRV*1814A**	313*AV024045	17000	12.20	14.50	1
3163560	113RN(A,G)018-E	CNRV*1814A**	315(A,J)AV036070	17000	12.20	14.50	1
3163559	113RN(A,G)018-E	CNRV*1814A**+TDR		17000	11.20	13.00	1
3163564	113RN(A,G)018-E	CNRV*2414A**	313*AV024045	17000	13.00	15.00	1
3163563	113RN(A,G)018-E	CNRV*2414A**	315(A,J)AV036070	17000	13.00	14.50	1
3163562	113RN(A,G)018-E	CNRV*2414A**+TDR		17000	11.70	13.50	1
3163567	113RN(A,G)018-E	CNRV*2417A**	315(A,J)AV048090	17000	13.00	15.00	1
3163568	113RN(A,G)018-E	CNRV*2417A**	353AAV036040	17000	13.00	15.00	1
3163569	113RN(A,G)018-E	CNRV*2417A**	353AAV036060	17000	13.00	15.00	1
3163566	113RN(A,G)018-E	CNRV*2417A**	355(A,C)AV042060	17000	13.00	14.50	1
3163565	113RN(A,G)018-E	CNRV*2417A**+TDR		17000	11.70	13.50	1
3163586	113RN(A,G)018-E	CSRH*2412A**	313*AV024045	17000	13.00	15.00	1

See notes on pg. 43

COMBINATION RATINGS CONTINUED

ARI Ref. No.	Model Number	Indoor Model	Furnace Model	Capacity	EER	SEER	Phase
3163584	113RN(A,G)018-E	CSRH*2412A**	315(A,J)AV036070	17000	13.00	14.50	1
3163585	113RN(A,G)018-E	CSRH*2412A**	315(A,J)AV048090	17000	13.00	15.00	1
3163587	113RN(A,G)018-E	CSRH*2412A**	353AAV036040	17000	13.00	15.00	1
3163588	113RN(A,G)018-E	CSRH*2412A**	353AAV036060	17000	13.00	15.00	1
3163582	113RN(A,G)018-E	CSRH*2412A**	355(A,C)AV042060	17000	13.00	14.50	1
3163583	113RN(A,G)018-E	CSRH*2412A**	355(A,C)AV042080	17000	13.00	15.00	1
3163581	113RN(A,G)018-E	CSRH*2412A**	355AAV042040	17000	13.00	15.00	1
3163580	113RN(A,G)018-E	CSRH*2412A**+TDR		17000	11.70	13.50	1
3163589	113RN(A,G)018-E	FA4CN(F,C)018		17000	11.20	13.00	1
3163590	113RN(A,G)018-E	FA4CN(F,C)024		17000	11.20	13.20	1
3163591	113RN(A,G)018-E	FC4DNF018		17000	12.20	14.50	1
3163592	113RN(A,G)018-E	FC4DNF024		17000	12.50	15.00	1
3163593	113RN(A,G)018-E	FF1ENE018		17000	11.20	13.20	1
3163594	113RN(A,G)018-E	FF1ENE024		17000	11.70	13.50	1
3163595	113RN(A,G)018-E	FK4DNF001		17000	12.50	15.00	1
3163596	113RN(A,G)018-E	FK4DNF002		17000	12.50	15.00	1
3043821	113RN(A,G)024-E	CAR**2414A**	313*AV024045	23600	12.00	14.00	1
3043829	113RN(A,G)024-E	CAR**2414A**	315(A,J)AV036070	22800	12.00	14.00	1
3043832	113RN(A,G)024-E	CAR**2417A**	315(A,J)AV048090	22800	12.00	14.00	1
3113439	113RN(A,G)024-E	CAR**2417A**	353AAV036040	23600	12.50	14.50	1
3113440	113RN(A,G)024-E	CAR**2417A**	353AAV036060	23600	12.50	14.50	1
3113441	113RN(A,G)024-E	CAR**2417A**	353AAV036080	23600	12.50	14.50	1
3043831	113RN(A,G)024-E	CAR**2417A**	355(A,C)AV042060	23200	12.00	14.00	1
3043830	113RN(A,G)024-E	CAR**2417A**+TDR		23000	11.20	13.00	1
3043822	113RN(A,G)024-E	CAR**3014A**	313*AV024045	23800	12.00	14.25	1
3043834	113RN(A,G)024-E	CAR**3014A**	315(A,J)AV036070	22800	12.00	14.00	1
3043833	113RN(A,G)024-E	CAR**3014A**+TDR		23000	11.20	13.00	1
3043837	113RN(A,G)024-E	CAR**3017A**	315(A,J)AV048090	23000	12.00	14.00	1
3113442	113RN(A,G)024-E	CAR**3017A**	353AAV036040	23600	12.50	14.50	1
3113443	113RN(A,G)024-E	CAR**3017A**	353AAV036060	23600	12.50	14.50	1
3113444	113RN(A,G)024-E	CAR**3017A**	353AAV036080	23600	12.50	14.50	1
3043836	113RN(A,G)024-E	CAR**3017A**	355(A,C)AV042060	23200	12.00	14.00	1
3043835	113RN(A,G)024-E	CAR**3017A**+TDR		23000	11.20	13.00	1
3043872	113RN(A,G)024-E	CNRH*2418A**+TDR		23000	11.20	13.00	1
3043825	113RN(A,G)024-E	CNRH*2417A**	313*AV024045	23600	12.00	14.00	1
3043855	113RN(A,G)024-E	CNRH*2417A**	315(A,J)AV036070	22800	12.00	14.00	1
3043856	113RN(A,G)024-E	CNRH*2417A**	315(A,J)AV048090	22800	12.00	14.00	1
3043857	113RN(A,G)024-E	CNRH*2417A**	315(A,J)AV060110	22800	12.00	14.00	1
3043858	113RN(A,G)024-E	CNRH*2417A**	315(A,J)AV066135	22800	12.00	14.00	1
3043859	113RN(A,G)024-E	CNRH*2417A**	315(A,J)AV066155	22800	12.00	14.00	1
3113451	113RN(A,G)024-E	CNRH*2417A**	353AAV036040	23600	12.50	14.50	1
3113452	113RN(A,G)024-E	CNRH*2417A**	353AAV036060	23600	12.50	14.50	1
3113453	113RN(A,G)024-E	CNRH*2417A**	353AAV036080	23600	12.50	14.50	1
3043849	113RN(A,G)024-E	CNRH*2417A**	355(A,C)AV042040	22800	12.00	14.00	1
3043850	113RN(A,G)024-E	CNRH*2417A**	355(A,C)AV042060	23200	12.00	14.00	1
3043851	113RN(A,G)024-E	CNRH*2417A**	355(A,C)AV042080	22800	12.00	14.00	1
3043852	113RN(A,G)024-E	CNRH*2417A**	355(A,C)AV060080	22600	12.00	14.00	1
3043853	113RN(A,G)024-E	CNRH*2417A**	355(A,C)AV060100	22800	12.00	14.00	1
3043854	113RN(A,G)024-E	CNRH*2417A**	355(A,C)AV060120	23000	12.00	14.00	1
3043848	113RN(A,G)024-E	CNRH*2417A**+TDR		23000	11.20	13.00	1
3043826	113RN(A,G)024-E	CNRH*3017A**	313*AV024045	23600	12.00	14.25	1
3043867	113RN(A,G)024-E	CNRH*3017A**	315(A,J)AV036070	23000	12.00	14.00	1
3043868	113RN(A,G)024-E	CNRH*3017A**	315(A,J)AV048090	23000	12.00	14.00	1
3043869	113RN(A,G)024-E	CNRH*3017A**	315(A,J)AV060110	23000	12.00	14.00	1
3043870	113RN(A,G)024-E	CNRH*3017A**	315(A,J)AV066135	23000	12.00	14.00	1
3043871	113RN(A,G)024-E	CNRH*3017A**	315(A,J)AV066155	23000	12.00	14.00	1
3113454	113RN(A,G)024-E	CNRH*3017A**	353AAV036040	23600	12.50	14.50	1
3113455	113RN(A,G)024-E	CNRH*3017A**	353AAV036060	23600	12.50	14.50	1
3113456	113RN(A,G)024-E	CNRH*3017A**	353AAV036080	23600	12.50	14.50	1
3043861	113RN(A,G)024-E	CNRH*3017A**	355(A,C)AV042040	23000	12.00	14.00	1
3043862	113RN(A,G)024-E	CNRH*3017A**	355(A,C)AV042060	23200	12.00	14.00	1
3043863	113RN(A,G)024-E	CNRH*3017A**	355(A,C)AV042080	23000	12.00	14.00	1
3043864	113RN(A,G)024-E	CNRH*3017A**	355(A,C)AV060080	22800	12.00	14.00	1
3043865	113RN(A,G)024-E	CNRH*3017A**	355(A,C)AV060100	23000	12.00	14.00	1
3043866	113RN(A,G)024-E	CNRH*3017A**	355(A,C)AV060120	23000	12.00	14.00	1
3043860	113RN(A,G)024-E	CNRH*3017A**+TDR		23000	11.20	13.00	1
3043823	113RN(A,G)024-E	CNRV*2414A**	313*AV024045	23600	12.00	14.00	1
3043839	113RN(A,G)024-E	CNRV*2414A**	315(A,J)AV036070	22800	12.00	14.00	1
3043838	113RN(A,G)024-E	CNRV*2414A**+TDR		23000	11.20	13.00	1
3043842	113RN(A,G)024-E	CNRV*2417A**	315(A,J)AV048090	22800	12.00	14.00	1
3113445	113RN(A,G)024-E	CNRV*2417A**	353AAV036040	23600	12.50	14.50	1
3113446	113RN(A,G)024-E	CNRV*2417A**	353AAV036060	23600	12.50	14.50	1
3113447	113RN(A,G)024-E	CNRV*2417A**	353AAV036080	23600	12.50	14.50	1
3043841	113RN(A,G)024-E	CNRV*2417A**	355(A,C)AV042060	23000	12.00	14.00	1
3043840	113RN(A,G)024-E	CNRV*2417A**+TDR		23000	11.20	13.00	1
3043824	113RN(A,G)024-E	CNRV*3014A**	313*AV024045	23600	12.00	14.25	1
3043844	113RN(A,G)024-E	CNRV*3014A**	315(A,J)AV036070	22800	12.00	14.00	1
3043843	113RN(A,G)024-E	CNRV*3014A**+TDR		23000	11.20	13.00	1
3043847	113RN(A,G)024-E	CNRV*3017A**	315(A,J)AV048090	23000	12.00	14.00	1

See notes on pg. 43

COMBINATION RATINGS CONTINUED

ARI Ref. No.	Model Number	Indoor Model	Furnace Model	Capacity	EER	SEER	Phase
3113448	113RN(A,G)024-E	CNRV*3017A**	353AAV036040	23600	12.50	14.50	1
3113449	113RN(A,G)024-E	CNRV*3017A**	353AAV036060	23600	12.50	14.50	1
3113450	113RN(A,G)024-E	CNRV*3017A**	353AAV036080	23600	12.50	14.50	1
3043846	113RN(A,G)024-E	CNRV*3017A**	355(A,C)AV042060	23000	12.00	14.00	1
3043845	113RN(A,G)024-E	CNRV*3017A**+TDR		23000	11.20	13.00	1
3043827	113RN(A,G)024-E	CSRH*2412A**	313*AV024045	23600	12.00	14.00	1
3043880	113RN(A,G)024-E	CSRH*2412A**	315(A,J)AV036070	23000	12.00	14.00	1
3043881	113RN(A,G)024-E	CSRH*2412A**	315(A,J)AV048090	23200	12.00	14.00	1
3043882	113RN(A,G)024-E	CSRH*2412A**	315(A,J)AV060110	23200	12.00	14.00	1
3043883	113RN(A,G)024-E	CSRH*2412A**	315(A,J)AV066135	23200	12.00	14.00	1
3043884	113RN(A,G)024-E	CSRH*2412A**	315(A,J)AV066155	23200	12.00	14.00	1
3113457	113RN(A,G)024-E	CSRH*2412A**	353AAV036040	23600	12.50	14.50	1
3113458	113RN(A,G)024-E	CSRH*2412A**	353AAV036060	23600	12.50	14.50	1
3113459	113RN(A,G)024-E	CSRH*2412A**	353AAV036080	23600	12.50	14.50	1
3043874	113RN(A,G)024-E	CSRH*2412A**	355(A,C)AV042040	23200	12.00	14.00	1
3043875	113RN(A,G)024-E	CSRH*2412A**	355(A,C)AV042060	23400	12.00	14.00	1
3043876	113RN(A,G)024-E	CSRH*2412A**	355(A,C)AV042080	23000	12.00	14.00	1
3043877	113RN(A,G)024-E	CSRH*2412A**	355(A,C)AV060080	23000	12.00	14.00	1
3043878	113RN(A,G)024-E	CSRH*2412A**	355(A,C)AV060100	23200	12.00	14.00	1
3043879	113RN(A,G)024-E	CSRH*2412A**	355(A,C)AV060120	23200	12.00	14.00	1
3043873	113RN(A,G)024-E	CSRH*2412A**+TDR		23400	11.20	13.00	1
3043828	113RN(A,G)024-E	CSRH*3012A**	313*AV024045	23600	12.00	14.25	1
3043892	113RN(A,G)024-E	CSRH*3012A**	315(A,J)AV036070	23000	12.00	14.00	1
3043893	113RN(A,G)024-E	CSRH*3012A**	315(A,J)AV048090	23200	12.00	14.00	1
3043894	113RN(A,G)024-E	CSRH*3012A**	315(A,J)AV060110	23200	12.00	14.00	1
3043895	113RN(A,G)024-E	CSRH*3012A**	315(A,J)AV066135	23200	12.00	14.00	1
3043896	113RN(A,G)024-E	CSRH*3012A**	315(A,J)AV066155	23200	12.00	14.00	1
3113460	113RN(A,G)024-E	CSRH*3012A**	353AAV036040	23600	12.50	14.50	1
3113461	113RN(A,G)024-E	CSRH*3012A**	353AAV036060	23600	12.50	14.50	1
3113462	113RN(A,G)024-E	CSRH*3012A**	353AAV036080	23600	12.50	14.50	1
3043886	113RN(A,G)024-E	CSRH*3012A**	355(A,C)AV042040	23000	12.00	14.00	1
3043887	113RN(A,G)024-E	CSRH*3012A**	355(A,C)AV042060	23400	12.00	14.00	1
3043888	113RN(A,G)024-E	CSRH*3012A**	355(A,C)AV042080	23000	12.00	14.00	1
3043889	113RN(A,G)024-E	CSRH*3012A**	355(A,C)AV060080	22800	12.00	14.00	1
3043890	113RN(A,G)024-E	CSRH*3012A**	355(A,C)AV060100	23000	12.00	14.00	1
3043891	113RN(A,G)024-E	CSRH*3012A**	355(A,C)AV060120	23200	12.00	14.00	1
3043885	113RN(A,G)024-E	CSRH*3012A**+TDR		23200	11.20	13.00	1
3043897	113RN(A,G)024-E	FA4CN(F,C)024		22800	11.20	13.00	1
3043898	113RN(A,G)024-E	FA4CN(F,C)030		23000	11.20	13.00	1
3043899	113RN(A,G)024-E	FC4DNF024		23200	12.00	14.00	1
3043900	113RN(A,G)024-E	FC4DNF030		23400	12.00	14.00	1
3043901	113RN(A,G)024-E	FF1ENE024		22600	11.20	13.00	1
3043902	113RN(A,G)024-E	FF1ENE030		23000	11.20	13.00	1
3043905	113RN(A,G)024-E	FK4DN(B,F)003		23200	12.00	14.00	1
3043903	113RN(A,G)024-E	FK4DNF001		23000	12.00	14.00	1
3043904	113RN(A,G)024-E	FK4DNF002		22800	12.00	14.00	1
3163597	113RN(A,G)024-F	†CAR**2414A**+TDR		23000	11.20	13.00	1
3163599	113RN(A,G)024-F	CAR**2414A**	313*AV024045	23000	12.00	14.00	1
3163598	113RN(A,G)024-F	CAR**2414A**	315(A,J)AV036070	23000	12.00	14.00	1
3163602	113RN(A,G)024-F	CAR**2417A**	315(A,J)AV048090	23000	12.50	14.50	1
3163603	113RN(A,G)024-F	CAR**2417A**	353AAV036040	23000	12.50	14.50	1
3163604	113RN(A,G)024-F	CAR**2417A**	353AAV036060	23000	12.50	14.50	1
3163605	113RN(A,G)024-F	CAR**2417A**	353AAV036080	23000	12.50	14.50	1
3163601	113RN(A,G)024-F	CAR**2417A**	355(A,C)AV042060	23000	12.50	14.50	1
3163600	113RN(A,G)024-F	CAR**2417A**+TDR		23000	11.20	13.00	1
3163608	113RN(A,G)024-F	CAR**3014A**	313*AV024045	23000	12.00	14.25	1
3163607	113RN(A,G)024-F	CAR**3014A**	315(A,J)AV036070	23000	12.50	14.50	1
3163606	113RN(A,G)024-F	CAR**3014A**+TDR		23000	11.20	13.00	1
3163611	113RN(A,G)024-F	CAR**3017A**	315(A,J)AV048090	23000	12.50	14.50	1
3163612	113RN(A,G)024-F	CAR**3017A**	353AAV036040	23000	12.50	14.50	1
3163613	113RN(A,G)024-F	CAR**3017A**	353AAV036060	23000	12.50	14.50	1
3163614	113RN(A,G)024-F	CAR**3017A**	353AAV036080	23000	12.50	14.50	1
3163610	113RN(A,G)024-F	CAR**3017A**	355(A,C)AV042060	23000	12.50	14.50	1
3163609	113RN(A,G)024-F	CAR**3017A**+TDR		23000	11.20	13.00	1
3163665	113RN(A,G)024-F	CNRH*2418A**+TDR		23000	11.20	13.00	1
3163645	113RN(A,G)024-F	CNRH*2417A**	313*AV024045	23000	12.00	14.00	1
3163640	113RN(A,G)024-F	CNRH*2417A**	315(A,J)AV036070	23000	12.00	14.00	1
3163641	113RN(A,G)024-F	CNRH*2417A**	315(A,J)AV048090	23000	12.20	14.50	1
3163642	113RN(A,G)024-F	CNRH*2417A**	315(A,J)AV060110	23000	12.00	14.00	1
3163643	113RN(A,G)024-F	CNRH*2417A**	315(A,J)AV066135	23000	12.00	14.00	1
3163644	113RN(A,G)024-F	CNRH*2417A**	315(A,J)AV066155	23000	12.20	14.50	1
3163646	113RN(A,G)024-F	CNRH*2417A**	353AAV036040	23000	12.50	14.50	1
3163647	113RN(A,G)024-F	CNRH*2417A**	353AAV036060	23000	12.50	14.50	1
3163648	113RN(A,G)024-F	CNRH*2417A**	353AAV036080	23000	12.50	14.50	1
3163635	113RN(A,G)024-F	CNRH*2417A**	355(A,C)AV042060	23000	12.00	14.00	1
3163636	113RN(A,G)024-F	CNRH*2417A**	355(A,C)AV042080	23000	12.00	14.00	1
3163637	113RN(A,G)024-F	CNRH*2417A**	355(A,C)AV060080	22800	12.00	14.00	1
3163638	113RN(A,G)024-F	CNRH*2417A**	355(A,C)AV060100	23000	12.20	14.50	1

See notes on pg. 43

113R

COMBINATION RATINGS CONTINUED

113R

ARI Ref. No.	Model Number	Indoor Model	Furnace Model	Capacity	EER	SEER	Phase
3163639	113RN(A,G)024-F	CNRH*2417A**	355(A,C)AV060120	23000	12.20	14.50	1
3163634	113RN(A,G)024-F	CNRH*2417A**	355AAV042040	23000	12.00	14.00	1
3163633	113RN(A,G)024-F	CNRH*2417A**+TDR		23000	11.20	13.00	1
3163661	113RN(A,G)024-F	CNRH*3017A**	313*AV024045	23000	12.00	14.25	1
3163656	113RN(A,G)024-F	CNRH*3017A**	315(A,J)AV036070	23000	12.50	14.50	1
3163657	113RN(A,G)024-F	CNRH*3017A**	315(A,J)AV048090	23000	12.50	14.50	1
3163658	113RN(A,G)024-F	CNRH*3017A**	315(A,J)AV060110	23000	12.50	14.50	1
3163659	113RN(A,G)024-F	CNRH*3017A**	315(A,J)AV066135	23000	12.50	14.50	1
3163660	113RN(A,G)024-F	CNRH*3017A**	315(A,J)AV066155	23000	12.50	14.50	1
3163662	113RN(A,G)024-F	CNRH*3017A**	353AAV036040	23000	12.50	14.50	1
3163663	113RN(A,G)024-F	CNRH*3017A**	353AAV036060	23000	12.50	14.50	1
3163664	113RN(A,G)024-F	CNRH*3017A**	353AAV036080	23000	12.50	14.50	1
3163651	113RN(A,G)024-F	CNRH*3017A**	355(A,C)AV042060	23000	12.50	14.50	1
3163652	113RN(A,G)024-F	CNRH*3017A**	355(A,C)AV042080	23000	12.50	14.50	1
3163653	113RN(A,G)024-F	CNRH*3017A**	355(A,C)AV060080	23000	12.50	14.50	1
3163654	113RN(A,G)024-F	CNRH*3017A**	355(A,C)AV060100	23000	12.50	14.50	1
3163655	113RN(A,G)024-F	CNRH*3017A**	355(A,C)AV060120	23000	12.50	14.50	1
3163650	113RN(A,G)024-F	CNRH*3017A**	355AAV042040	23000	12.50	14.50	1
3163649	113RN(A,G)024-F	CNRH*3017A**+TDR		23000	11.20	13.00	1
3163617	113RN(A,G)024-F	CNRV*2414A**	313*AV024045	23000	12.00	14.00	1
3163616	113RN(A,G)024-F	CNRV*2414A**	315(A,J)AV036070	23000	12.00	14.00	1
3163615	113RN(A,G)024-F	CNRV*2414A**+TDR		23000	11.20	13.00	1
3163620	113RN(A,G)024-F	CNRV*2417A**	315(A,J)AV048090	23000	12.20	14.50	1
3163621	113RN(A,G)024-F	CNRV*2417A**	353AAV036040	23000	12.50	14.50	1
3163622	113RN(A,G)024-F	CNRV*2417A**	353AAV036060	23000	12.50	14.50	1
3163623	113RN(A,G)024-F	CNRV*2417A**	353AAV036080	23000	12.50	14.50	1
3163619	113RN(A,G)024-F	CNRV*2417A**	355(A,C)AV042060	23000	12.00	14.00	1
3163618	113RN(A,G)024-F	CNRV*2417A**+TDR		23000	11.20	13.00	1
3163626	113RN(A,G)024-F	CNRV*3014A**	313*AV024045	23000	12.00	14.25	1
3163625	113RN(A,G)024-F	CNRV*3014A**	315(A,J)AV036070	23000	12.20	14.50	1
3163624	113RN(A,G)024-F	CNRV*3014A**+TDR		23000	11.20	13.00	1
3163629	113RN(A,G)024-F	CNRV*3017A**	315(A,J)AV048090	23000	12.50	14.50	1
3163630	113RN(A,G)024-F	CNRV*3017A**	353AAV036040	23000	12.50	14.50	1
3163631	113RN(A,G)024-F	CNRV*3017A**	353AAV036060	23000	12.50	14.50	1
3163632	113RN(A,G)024-F	CNRV*3017A**	353AAV036080	23000	12.50	14.50	1
3163628	113RN(A,G)024-F	CNRV*3017A**	355(A,C)AV042060	23000	12.50	14.50	1
3163627	113RN(A,G)024-F	CNRV*3017A**+TDR		23000	11.20	13.00	1
3163678	113RN(A,G)024-F	CSRH*2412A**	313*AV024045	23000	12.00	14.00	1
3163673	113RN(A,G)024-F	CSRH*2412A**	315(A,J)AV036070	23000	12.00	14.00	1
3163674	113RN(A,G)024-F	CSRH*2412A**	315(A,J)AV048090	23000	12.50	14.50	1
3163675	113RN(A,G)024-F	CSRH*2412A**	315(A,J)AV060110	23000	12.00	14.00	1
3163676	113RN(A,G)024-F	CSRH*2412A**	315(A,J)AV066135	23000	12.50	14.50	1
3163677	113RN(A,G)024-F	CSRH*2412A**	315(A,J)AV066155	23000	12.50	14.50	1
3163679	113RN(A,G)024-F	CSRH*2412A**	353AAV036040	23000	12.50	14.50	1
3163680	113RN(A,G)024-F	CSRH*2412A**	353AAV036060	23000	12.50	14.50	1
3163681	113RN(A,G)024-F	CSRH*2412A**	353AAV036080	23000	12.50	14.50	1
3163668	113RN(A,G)024-F	CSRH*2412A**	355(A,C)AV042060	23000	12.50	14.50	1
3163669	113RN(A,G)024-F	CSRH*2412A**	355(A,C)AV042080	23000	12.50	14.50	1
3163670	113RN(A,G)024-F	CSRH*2412A**	355(A,C)AV060080	23000	12.50	14.50	1
3163671	113RN(A,G)024-F	CSRH*2412A**	355(A,C)AV060100	23000	12.50	14.50	1
3163672	113RN(A,G)024-F	CSRH*2412A**	355(A,C)AV060120	23000	12.50	14.50	1
3163667	113RN(A,G)024-F	CSRH*2412A**	355AAV042040	23000	12.00	14.00	1
3163666	113RN(A,G)024-F	CSRH*2412A**+TDR		23000	11.20	13.00	1
3163694	113RN(A,G)024-F	CSRH*3012A**	313*AV024045	23000	12.00	14.25	1
3163689	113RN(A,G)024-F	CSRH*3012A**	315(A,J)AV036070	23000	12.50	14.50	1
3163690	113RN(A,G)024-F	CSRH*3012A**	315(A,J)AV048090	23000	12.50	14.50	1
3163691	113RN(A,G)024-F	CSRH*3012A**	315(A,J)AV060110	23000	12.50	14.50	1
3163692	113RN(A,G)024-F	CSRH*3012A**	315(A,J)AV066135	23000	12.50	14.50	1
3163693	113RN(A,G)024-F	CSRH*3012A**	315(A,J)AV066155	23000	12.50	14.50	1
3163695	113RN(A,G)024-F	CSRH*3012A**	353AAV036040	23000	12.50	14.50	1
3163696	113RN(A,G)024-F	CSRH*3012A**	353AAV036060	23000	12.50	14.50	1
3163697	113RN(A,G)024-F	CSRH*3012A**	353AAV036080	23000	12.50	14.50	1
3163684	113RN(A,G)024-F	CSRH*3012A**	355(A,C)AV042060	23000	12.50	14.50	1
3163685	113RN(A,G)024-F	CSRH*3012A**	355(A,C)AV042080	23000	12.50	14.50	1
3163686	113RN(A,G)024-F	CSRH*3012A**	355(A,C)AV060080	23000	12.50	14.50	1
3163687	113RN(A,G)024-F	CSRH*3012A**	355(A,C)AV060100	23000	12.50	14.50	1
3163688	113RN(A,G)024-F	CSRH*3012A**	355(A,C)AV060120	23000	12.50	14.50	1
3163683	113RN(A,G)024-F	CSRH*3012A**	355AAV042040	23000	12.50	14.50	1
3163682	113RN(A,G)024-F	CSRH*3012A**+TDR		23000	11.20	13.00	1
3163698	113RN(A,G)024-F	FA4CN(F,C)024		23000	11.20	13.00	1
3163699	113RN(A,G)024-F	FA4CN(F,C)030		23000	11.20	13.00	1
3163700	113RN(A,G)024-F	FC4DNF024		23000	12.00	14.00	1
3163701	113RN(A,G)024-F	FC4DNF030		23000	12.50	14.50	1
3163702	113RN(A,G)024-F	FF1ENE024		22800	11.20	13.20	1
3163705	113RN(A,G)024-F	FK4DN(B,F)003		23000	12.50	14.50	1
3163703	113RN(A,G)024-F	FK4DNF001		23000	12.50	14.50	1
3163704	113RN(A,G)024-F	FK4DNF002		22800	12.00	14.00	1

See notes on pg. 43

COMBINATION RATINGS CONTINUED

ARI Ref. No.	Model Number	Indoor Model	Furnace Model	Capacity	EER	SEER	Phase
3089289	113RN(A,G)030-E	†CAR**3014A**+TDR		27600	11.20	13.00	1
3043906	113RN(A,G)030-E	CAP**3017A**	313*AV048070	28600	12.00	14.00	1
3043907	113RN(A,G)030-E	CAP**3617A**	313*AV048070	28600	12.00	14.00	1
3043908	113RN(A,G)030-E	CAP**3621A**	313*AV048090	29000	12.20	14.50	1
3043920	113RN(A,G)030-E	CAR**3014A**	315(A,J)AV036070	27200	12.00	14.00	1
3043922	113RN(A,G)030-E	CAR**3017A**	315(A,J)AV048090	27400	12.00	14.00	1
3113463	113RN(A,G)030-E	CAR**3017A**	353AAV036040	28600	12.00	14.00	1
3113464	113RN(A,G)030-E	CAR**3017A**	353AAV036060	28600	12.00	14.00	1
3113465	113RN(A,G)030-E	CAR**3017A**	353AAV036080	28600	12.00	14.00	1
3113466	113RN(A,G)030-E	CAR**3017A**	353AAV048080	28600	12.00	14.00	1
3043921	113RN(A,G)030-E	CAR**3017A**	355(A,C)AV042060	27400	12.00	14.00	1
3089290	113RN(A,G)030-E	CAR**3017A**+TDR		27600	11.20	13.00	1
3043923	113RN(A,G)030-E	CAR**3614A**	315(A,J)AV036070	27400	12.00	14.00	1
3089291	113RN(A,G)030-E	CAR**3614A**+TDR		27600	11.20	13.00	1
3043925	113RN(A,G)030-E	CAR**3617A**	315(A,J)AV048090	27400	12.00	14.00	1
3113467	113RN(A,G)030-E	CAR**3617A**	353AAV036040	28600	12.00	14.50	1
3113468	113RN(A,G)030-E	CAR**3617A**	353AAV036060	28600	12.00	14.50	1
3113469	113RN(A,G)030-E	CAR**3617A**	353AAV036080	28600	12.00	14.50	1
3113470	113RN(A,G)030-E	CAR**3617A**	353AAV048080	28600	12.00	14.50	1
3043924	113RN(A,G)030-E	CAR**3617A**	355(A,C)AV042060	27600	12.00	14.00	1
3089292	113RN(A,G)030-E	CAR**3617A**+TDR		27600	11.20	13.00	1
3043929	113RN(A,G)030-E	CAR**3621A**	315(A,J)AV060110	27600	12.00	14.00	1
3043926	113RN(A,G)030-E	CAR**3621A**	355(A,C)AV042080	28200	12.00	14.00	1
3043927	113RN(A,G)030-E	CAR**3621A**	355(A,C)AV060080	28200	12.00	14.00	1
3043928	113RN(A,G)030-E	CAR**3621A**	355(A,C)AV060100	28200	12.00	14.00	1
3089293	113RN(A,G)030-E	CAR**3621A**+TDR		27600	11.20	13.00	1
3043912	113RN(A,G)030-E	CNPH*3017A**	313*AV048070	28600	12.00	14.00	1
3043913	113RN(A,G)030-E	CNPH*3017A**	313*AV048090	28600	12.00	14.00	1
3043914	113RN(A,G)030-E	CNPH*3617A**	313*AV048070	28600	12.00	14.00	1
3043915	113RN(A,G)030-E	CNPH*3617A**	313*AV048090	28600	12.00	14.50	1
3043909	113RN(A,G)030-E	CNPV*3017A**	313*AV048070	28600	12.00	14.00	1
3043910	113RN(A,G)030-E	CNPV*3617A**	313*AV048070	28600	12.00	14.00	1
3043911	113RN(A,G)030-E	CNPV*3621A**	313*AV048090	28600	12.00	14.50	1
3043963	113RN(A,G)030-E	CNRF*3618A**+TDR		27600	11.20	13.00	1
3043946	113RN(A,G)030-E	CNRH*3017A**	315(A,J)AV036070	27400	12.00	14.00	1
3043947	113RN(A,G)030-E	CNRH*3017A**	315(A,J)AV048090	27400	12.00	14.00	1
3043948	113RN(A,G)030-E	CNRH*3017A**	315(A,J)AV060110	27400	12.00	14.00	1
3043949	113RN(A,G)030-E	CNRH*3017A**	315(A,J)AV066135	27400	12.00	14.00	1
3043950	113RN(A,G)030-E	CNRH*3017A**	315(A,J)AV066155	27400	12.00	14.00	1
3113479	113RN(A,G)030-E	CNRH*3017A**	353AAV036040	28600	12.00	14.50	1
3113480	113RN(A,G)030-E	CNRH*3017A**	353AAV036060	28600	12.00	14.50	1
3113481	113RN(A,G)030-E	CNRH*3017A**	353AAV036080	28600	12.00	14.50	1
3113482	113RN(A,G)030-E	CNRH*3017A**	353AAV048080	28600	12.00	14.00	1
3043940	113RN(A,G)030-E	CNRH*3017A**	355(A,C)AV042040	27400	12.00	14.00	1
3043941	113RN(A,G)030-E	CNRH*3017A**	355(A,C)AV042060	27600	12.00	14.00	1
3043942	113RN(A,G)030-E	CNRH*3017A**	355(A,C)AV042080	27200	12.00	14.00	1
3043943	113RN(A,G)030-E	CNRH*3017A**	355(A,C)AV060080	27400	12.00	14.00	1
3043944	113RN(A,G)030-E	CNRH*3017A**	355(A,C)AV060100	27200	12.00	14.00	1
3043945	113RN(A,G)030-E	CNRH*3017A**	355(A,C)AV060120	27400	12.00	14.00	1
3043939	113RN(A,G)030-E	CNRH*3017A**+TDR		27600	11.20	13.00	1
3043958	113RN(A,G)030-E	CNRH*3617A**	315(A,J)AV036070	27400	12.00	14.00	1
3043959	113RN(A,G)030-E	CNRH*3617A**	315(A,J)AV048090	27400	12.00	14.00	1
3043960	113RN(A,G)030-E	CNRH*3617A**	315(A,J)AV060110	27400	12.00	14.00	1
3043961	113RN(A,G)030-E	CNRH*3617A**	315(A,J)AV066135	27400	12.00	14.00	1
3043962	113RN(A,G)030-E	CNRH*3617A**	315(A,J)AV066155	27400	12.00	14.00	1
3113483	113RN(A,G)030-E	CNRH*3617A**	353AAV036040	28600	12.00	14.50	1
3113484	113RN(A,G)030-E	CNRH*3617A**	353AAV036060	28600	12.00	14.50	1
3113485	113RN(A,G)030-E	CNRH*3617A**	353AAV036080	28600	12.00	14.50	1
3113486	113RN(A,G)030-E	CNRH*3617A**	353AAV048080	28600	12.00	14.00	1
3043952	113RN(A,G)030-E	CNRH*3617A**	355(A,C)AV042040	27400	12.00	14.00	1
3043953	113RN(A,G)030-E	CNRH*3617A**	355(A,C)AV042060	27600	12.00	14.00	1
3043954	113RN(A,G)030-E	CNRH*3617A**	355(A,C)AV042080	27200	12.00	14.00	1
3043955	113RN(A,G)030-E	CNRH*3617A**	355(A,C)AV060080	27400	12.00	14.00	1
3043956	113RN(A,G)030-E	CNRH*3617A**	355(A,C)AV060100	27200	12.00	14.00	1
3043957	113RN(A,G)030-E	CNRH*3617A**	355(A,C)AV060120	27400	12.00	14.00	1
3043951	113RN(A,G)030-E	CNRH*3617A**+TDR		27600	11.20	13.00	1
3043930	113RN(A,G)030-E	CNRV*3014A**	315(A,J)AV036070	27200	12.00	14.00	1
3089294	113RN(A,G)030-E	CNRV*3014A**+TDR		27600	11.20	13.00	1
3043932	113RN(A,G)030-E	CNRV*3017A**	315(A,J)AV048090	27400	12.00	14.00	1
3113471	113RN(A,G)030-E	CNRV*3017A**	353AAV036040	28600	12.00	14.50	1
3113472	113RN(A,G)030-E	CNRV*3017A**	353AAV036060	28600	12.00	14.50	1
3113473	113RN(A,G)030-E	CNRV*3017A**	353AAV036080	28600	12.00	14.50	1
3113474	113RN(A,G)030-E	CNRV*3017A**	353AAV048080	28600	12.00	14.50	1
3043931	113RN(A,G)030-E	CNRV*3017A**	355(A,C)AV042060	27600	12.00	14.00	1
3089295	113RN(A,G)030-E	CNRV*3017A**+TDR		27600	11.20	13.00	1
3043934	113RN(A,G)030-E	CNRV*3617A**	315(A,J)AV048090	27400	12.00	14.00	1
3113475	113RN(A,G)030-E	CNRV*3617A**	353AAV036040	28600	12.00	14.50	1
3113476	113RN(A,G)030-E	CNRV*3617A**	353AAV036060	28600	12.00	14.50	1
3113477	113RN(A,G)030-E	CNRV*3617A**	353AAV036080	28600	12.00	14.50	1

See notes on pg. 43

113R

COMBINATION RATINGS CONTINUED

ARI Ref. No.	Model Number	Indoor Model	Furnace Model	Capacity	EER	SEER	Phase
3113478	113RN(A,G)030-E	CNRV*3617A**	353AAV048080	28600	12.00	14.00	1
3043933	113RN(A,G)030-E	CNRV*3617A**	355(A,C)AV042060	27600	12.00	14.00	1
3089296	113RN(A,G)030-E	CNRV*3617A**+TDR		27600	11.20	13.00	1
3043938	113RN(A,G)030-E	CNRV*3621A**	315(A,J)AV060110	27400	12.00	14.00	1
3043935	113RN(A,G)030-E	CNRV*3621A**	355(A,C)AV042080	27200	12.00	14.00	1
3043936	113RN(A,G)030-E	CNRV*3621A**	355(A,C)AV060080	27400	12.00	14.00	1
3043937	113RN(A,G)030-E	CNRV*3621A**	355(A,C)AV060100	27200	12.00	14.00	1
3089297	113RN(A,G)030-E	CNRV*3621A**+TDR		27600	11.20	13.00	1
3043916	113RN(A,G)030-E	CSPH*3012A**	313*AV048070	28600	12.00	14.00	1
3043917	113RN(A,G)030-E	CSPH*3012A**	313*AV048090	28600	12.00	14.00	1
3043918	113RN(A,G)030-E	CSPH*3612A**	313*AV048070	28600	12.00	14.00	1
3043919	113RN(A,G)030-E	CSPH*3612A**	313*AV048090	29000	12.20	14.50	1
3043971	113RN(A,G)030-E	CSRH*3012A**	315(A,J)AV036070	27400	12.00	14.00	1
3043972	113RN(A,G)030-E	CSRH*3012A**	315(A,J)AV048090	27400	12.00	14.00	1
3043973	113RN(A,G)030-E	CSRH*3012A**	315(A,J)AV060110	27400	12.00	14.00	1
3043974	113RN(A,G)030-E	CSRH*3012A**	315(A,J)AV066135	27400	12.00	14.00	1
3043975	113RN(A,G)030-E	CSRH*3012A**	315(A,J)AV066155	27400	12.00	14.00	1
3113487	113RN(A,G)030-E	CSRH*3012A**	353AAV036040	28600	12.00	14.50	1
3113488	113RN(A,G)030-E	CSRH*3012A**	353AAV036060	28600	12.00	14.50	1
3113489	113RN(A,G)030-E	CSRH*3012A**	353AAV036080	28600	12.00	14.50	1
3113490	113RN(A,G)030-E	CSRH*3012A**	353AAV048080	28600	12.00	14.00	1
3043965	113RN(A,G)030-E	CSRH*3012A**	355(A,C)AV042040	27400	12.00	14.00	1
3043966	113RN(A,G)030-E	CSRH*3012A**	355(A,C)AV042060	27600	12.00	14.00	1
3043967	113RN(A,G)030-E	CSRH*3012A**	355(A,C)AV042080	27400	12.00	14.00	1
3043968	113RN(A,G)030-E	CSRH*3012A**	355(A,C)AV060080	27600	12.00	14.00	1
3043969	113RN(A,G)030-E	CSRH*3012A**	355(A,C)AV060100	27400	12.00	14.00	1
3043970	113RN(A,G)030-E	CSRH*3012A**	355(A,C)AV060120	27600	12.00	14.00	1
3043964	113RN(A,G)030-E	CSRH*3012A**+TDR		27600	11.20	13.00	1
3043983	113RN(A,G)030-E	CSRH*3612A**	315(A,J)AV036070	27400	12.00	14.00	1
3043984	113RN(A,G)030-E	CSRH*3612A**	315(A,J)AV048090	27400	12.00	14.00	1
3043985	113RN(A,G)030-E	CSRH*3612A**	315(A,J)AV060110	27400	12.00	14.00	1
3043986	113RN(A,G)030-E	CSRH*3612A**	315(A,J)AV066135	27400	12.00	14.00	1
3043987	113RN(A,G)030-E	CSRH*3612A**	315(A,J)AV066155	27400	12.00	14.00	1
3113491	113RN(A,G)030-E	CSRH*3612A**	353AAV036040	28600	12.00	14.50	1
3113492	113RN(A,G)030-E	CSRH*3612A**	353AAV036060	28600	12.00	14.50	1
3113493	113RN(A,G)030-E	CSRH*3612A**	353AAV036080	28600	12.00	14.50	1
3113494	113RN(A,G)030-E	CSRH*3612A**	353AAV048080	28600	12.00	14.50	1
3043977	113RN(A,G)030-E	CSRH*3612A**	355(A,C)AV042040	27400	12.00	14.00	1
3043978	113RN(A,G)030-E	CSRH*3612A**	355(A,C)AV042060	27400	12.00	14.00	1
3043979	113RN(A,G)030-E	CSRH*3612A**	355(A,C)AV042080	27400	12.00	14.00	1
3043980	113RN(A,G)030-E	CSRH*3612A**	355(A,C)AV060080	27400	12.00	14.00	1
3043981	113RN(A,G)030-E	CSRH*3612A**	355(A,C)AV060100	27400	12.00	14.00	1
3043982	113RN(A,G)030-E	CSRH*3612A**	355(A,C)AV060120	27400	12.00	14.00	1
3043976	113RN(A,G)030-E	CSRH*3612A**+TDR		27400	11.20	13.00	1
3043988	113RN(A,G)030-E	FA4CN(F,C)030		27400	11.20	13.00	1
3043989	113RN(A,G)030-E	FA4CN(F,C)036		27600	11.20	13.00	1
3043991	113RN(A,G)030-E	FC4DN(F,B)036		28200	12.00	14.00	1
3043990	113RN(A,G)030-E	FC4DNF030		27800	12.00	14.00	1
3043992	113RN(A,G)030-E	FF1ENE030		27200	11.20	13.00	1
3043993	113RN(A,G)030-E	FF1ENE036		27600	11.20	13.00	1
3043996	113RN(A,G)030-E	FK4DN(B,F)003		27800	12.00	14.00	1
3043997	113RN(A,G)030-E	FK4DN(B,F)005		28600	12.00	14.00	1
3043994	113RN(A,G)030-E	FK4DNF001		27400	12.00	14.00	1
3043995	113RN(A,G)030-E	FK4DNF002		27800	12.00	14.00	1
3162673	113RN(A,G)031-F	†CAR**3617A**+TDR		28200	11.00	13.00	1
3162683	113RN(A,G)031-F	CAR**3014A**	315(A,J)AV036070	27800	11.70	13.50	1
3162682	113RN(A,G)031-F	CAR**3014A**+TDR		28200	11.00	13.00	1
3162687	113RN(A,G)031-F	CAR**3017A**	313*AV048070	28200	11.70	13.50	1
3162686	113RN(A,G)031-F	CAR**3017A**	315(A,J)AV048090	28000	12.00	14.00	1
3162688	113RN(A,G)031-F	CAR**3017A**	353AAV036040	28200	12.00	14.00	1
3162689	113RN(A,G)031-F	CAR**3017A**	353AAV036060	28200	12.00	14.00	1
3162690	113RN(A,G)031-F	CAR**3017A**	353AAV036080	28200	12.00	14.00	1
3162691	113RN(A,G)031-F	CAR**3017A**	353AAV048080	28200	12.00	14.00	1
3162685	113RN(A,G)031-F	CAR**3017A**	355(A,C)AV042060	28000	12.00	14.00	1
3162684	113RN(A,G)031-F	CAR**3017A**+TDR		28200	11.00	13.00	1
3162693	113RN(A,G)031-F	CAR**3614A**	315(A,J)AV036070	28000	11.70	13.50	1
3162692	113RN(A,G)031-F	CAR**3614A**+TDR		28200	11.00	13.00	1
3162696	113RN(A,G)031-F	CAR**3617A**	313*AV048070	28200	11.70	13.50	1
3162695	113RN(A,G)031-F	CAR**3617A**	315(A,J)AV048090	28000	12.00	14.00	1
3162697	113RN(A,G)031-F	CAR**3617A**	353AAV036040	28200	12.00	14.00	1
3162698	113RN(A,G)031-F	CAR**3617A**	353AAV036060	28200	12.00	14.00	1
3162699	113RN(A,G)031-F	CAR**3617A**	353AAV036080	28200	12.00	14.00	1
3162700	113RN(A,G)031-F	CAR**3617A**	353AAV048080	28200	12.00	14.00	1
3162694	113RN(A,G)031-F	CAR**3617A**	355(A,C)AV042060	28200	12.00	14.00	1
3162706	113RN(A,G)031-F	CAR**3621A**	313*AV048090	28200	12.00	14.00	1
3162705	113RN(A,G)031-F	CAR**3621A**	315(A,J)AV060110	28200	12.00	14.00	1
3162702	113RN(A,G)031-F	CAR**3621A**	355(A,C)AV042080	28000	12.00	14.00	1
3162703	113RN(A,G)031-F	CAR**3621A**	355(A,C)AV060080	28000	12.00	14.00	1

See notes on pg. 43

COMBINATION RATINGS CONTINUED

ARI Ref. No.	Model Number	Indoor Model	Furnace Model	Capacity	EER	SEER	Phase
3162704	113RN(A,G)031-F	CAR**3621A**	355(A,C)AV060100	27800	12.00	14.00	1
3162701	113RN(A,G)031-F	CAR**3621A**+TDR		28200	11.00	13.00	1
3162767	113RN(A,G)031-F	CNRH*3618A**+TDR		28200	11.00	13.00	1
3162743	113RN(A,G)031-F	CNRH*3017A**	313*AV048070	28200	11.70	13.50	1
3162744	113RN(A,G)031-F	CNRH*3017A**	313*AV048090	28200	11.70	13.50	1
3162738	113RN(A,G)031-F	CNRH*3017A**	315(A,J)AV036070	28000	11.70	13.50	1
3162739	113RN(A,G)031-F	CNRH*3017A**	315(A,J)AV048090	28000	12.00	14.00	1
3162740	113RN(A,G)031-F	CNRH*3017A**	315(A,J)AV060110	28000	12.00	14.00	1
3162741	113RN(A,G)031-F	CNRH*3017A**	315(A,J)AV066135	28000	12.00	14.00	1
3162742	113RN(A,G)031-F	CNRH*3017A**	315(A,J)AV066155	28000	12.00	14.00	1
3162745	113RN(A,G)031-F	CNRH*3017A**	353AAV036040	28200	12.00	14.00	1
3162746	113RN(A,G)031-F	CNRH*3017A**	353AAV036060	28200	12.00	14.00	1
3162747	113RN(A,G)031-F	CNRH*3017A**	353AAV036080	28200	12.00	14.00	1
3162748	113RN(A,G)031-F	CNRH*3017A**	353AAV048080	28200	12.00	14.00	1
3162733	113RN(A,G)031-F	CNRH*3017A**	355(A,C)AV042060	28200	12.00	14.00	1
3162734	113RN(A,G)031-F	CNRH*3017A**	355(A,C)AV042080	27800	11.70	13.50	1
3162735	113RN(A,G)031-F	CNRH*3017A**	355(A,C)AV060080	28000	11.70	13.50	1
3162736	113RN(A,G)031-F	CNRH*3017A**	355(A,C)AV060100	27800	11.70	13.50	1
3162737	113RN(A,G)031-F	CNRH*3017A**	355(A,C)AV060120	28000	12.00	14.00	1
3162732	113RN(A,G)031-F	CNRH*3017A**	355AAV042040	28000	11.70	14.00	1
3162731	113RN(A,G)031-F	CNRH*3017A**+TDR		28200	11.00	13.00	1
3162761	113RN(A,G)031-F	CNRH*3617A**	313*AV048070	28200	11.70	13.50	1
3162762	113RN(A,G)031-F	CNRH*3617A**	313*AV048090	28200	11.70	13.50	1
3162756	113RN(A,G)031-F	CNRH*3617A**	315(A,J)AV036070	28000	11.70	13.50	1
3162757	113RN(A,G)031-F	CNRH*3617A**	315(A,J)AV048090	28000	12.00	14.00	1
3162758	113RN(A,G)031-F	CNRH*3617A**	315(A,J)AV060110	28000	12.00	14.00	1
3162759	113RN(A,G)031-F	CNRH*3617A**	315(A,J)AV066135	28000	12.00	14.00	1
3162760	113RN(A,G)031-F	CNRH*3617A**	315(A,J)AV066155	28000	12.00	14.00	1
3162763	113RN(A,G)031-F	CNRH*3617A**	353AAV036040	28200	12.00	14.00	1
3162764	113RN(A,G)031-F	CNRH*3617A**	353AAV036060	28200	12.00	14.00	1
3162765	113RN(A,G)031-F	CNRH*3617A**	353AAV036080	28200	12.00	14.00	1
3162766	113RN(A,G)031-F	CNRH*3617A**	353AAV048080	28200	12.00	14.00	1
3162751	113RN(A,G)031-F	CNRH*3617A**	355(A,C)AV042060	28200	12.00	14.00	1
3162752	113RN(A,G)031-F	CNRH*3617A**	355(A,C)AV042080	27800	11.70	13.50	1
3162753	113RN(A,G)031-F	CNRH*3617A**	355(A,C)AV060080	28000	11.70	14.00	1
3162754	113RN(A,G)031-F	CNRH*3617A**	355(A,C)AV060100	27800	11.70	13.50	1
3162755	113RN(A,G)031-F	CNRH*3617A**	355(A,C)AV060120	28000	12.00	14.00	1
3162750	113RN(A,G)031-F	CNRH*3617A**	355AAV042040	28000	11.70	13.50	1
3162749	113RN(A,G)031-F	CNRH*3617A**+TDR		28200	11.00	13.00	1
3162708	113RN(A,G)031-F	CNRV*3014A**	315(A,J)AV036070	28000	11.70	13.50	1
3162707	113RN(A,G)031-F	CNRV*3014A**+TDR		28200	11.00	13.00	1
3162712	113RN(A,G)031-F	CNRV*3017A**	313*AV048070	28200	11.70	13.50	1
3162711	113RN(A,G)031-F	CNRV*3017A**	315(A,J)AV048090	28000	12.00	14.00	1
3162713	113RN(A,G)031-F	CNRV*3017A**	353AAV036040	28200	12.00	14.00	1
3162714	113RN(A,G)031-F	CNRV*3017A**	353AAV036060	28200	12.00	14.00	1
3162715	113RN(A,G)031-F	CNRV*3017A**	353AAV036080	28200	12.00	14.00	1
3162716	113RN(A,G)031-F	CNRV*3017A**	353AAV048080	28200	12.00	14.00	1
3162710	113RN(A,G)031-F	CNRV*3017A**	355(A,C)AV042060	28200	12.00	14.00	1
3162709	113RN(A,G)031-F	CNRV*3017A**+TDR		28200	11.00	13.00	1
3162720	113RN(A,G)031-F	CNRV*3617A**	313*AV048070	28200	11.70	13.50	1
3162719	113RN(A,G)031-F	CNRV*3617A**	315(A,J)AV048090	28000	12.00	14.00	1
3162721	113RN(A,G)031-F	CNRV*3617A**	353AAV036040	28200	12.00	14.00	1
3162722	113RN(A,G)031-F	CNRV*3617A**	353AAV036060	28200	12.00	14.00	1
3162723	113RN(A,G)031-F	CNRV*3617A**	353AAV036080	28200	12.00	14.00	1
3162724	113RN(A,G)031-F	CNRV*3617A**	353AAV048080	28200	12.00	14.00	1
3162718	113RN(A,G)031-F	CNRV*3617A**	355(A,C)AV042060	28200	12.00	14.00	1
3162717	113RN(A,G)031-F	CNRV*3617A**+TDR		28200	11.00	13.00	1
3162730	113RN(A,G)031-F	CNRV*3621A**	313*AV048090	28200	11.70	14.00	1
3162729	113RN(A,G)031-F	CNRV*3621A**	315(A,J)AV060110	28000	12.00	14.00	1
3162726	113RN(A,G)031-F	CNRV*3621A**	355(A,C)AV042080	27800	11.70	13.50	1
3162727	113RN(A,G)031-F	CNRV*3621A**	355(A,C)AV060080	28000	11.70	14.00	1
3162728	113RN(A,G)031-F	CNRV*3621A**	355(A,C)AV060100	27800	11.70	13.50	1
3162725	113RN(A,G)031-F	CNRV*3621A**+TDR		28200	11.00	13.00	1
3162780	113RN(A,G)031-F	CSRH*3012A**	313*AV048070	28200	11.70	13.50	1
3162781	113RN(A,G)031-F	CSRH*3012A**	313*AV048090	28200	11.70	13.50	1
3162775	113RN(A,G)031-F	CSRH*3012A**	315(A,J)AV036070	28200	11.70	13.50	1
3162776	113RN(A,G)031-F	CSRH*3012A**	315(A,J)AV048090	28200	12.00	14.00	1
3162777	113RN(A,G)031-F	CSRH*3012A**	315(A,J)AV060110	28200	12.00	14.00	1
3162778	113RN(A,G)031-F	CSRH*3012A**	315(A,J)AV066135	28200	12.00	14.00	1
3162779	113RN(A,G)031-F	CSRH*3012A**	315(A,J)AV066155	28200	12.00	14.00	1
3162782	113RN(A,G)031-F	CSRH*3012A**	353AAV036040	28200	12.00	14.00	1
3162783	113RN(A,G)031-F	CSRH*3012A**	353AAV036060	28200	12.00	14.00	1
3162784	113RN(A,G)031-F	CSRH*3012A**	353AAV036080	28200	12.00	14.00	1
3162785	113RN(A,G)031-F	CSRH*3012A**	353AAV048080	28200	12.00	14.00	1
3162770	113RN(A,G)031-F	CSRH*3012A**	355(A,C)AV042060	28200	12.00	14.00	1
3162771	113RN(A,G)031-F	CSRH*3012A**	355(A,C)AV042080	28000	11.70	13.50	1
3162772	113RN(A,G)031-F	CSRH*3012A**	355(A,C)AV060080	28200	11.70	14.00	1
3162773	113RN(A,G)031-F	CSRH*3012A**	355(A,C)AV060100	28000	11.70	13.50	1
3162774	113RN(A,G)031-F	CSRH*3012A**	355(A,C)AV060120	28200	12.00	14.00	1

113R

See notes on pg. 43

COMBINATION RATINGS CONTINUED

113R

ARI Ref. No.	Model Number	Indoor Model	Furnace Model	Capacity	EER	SEER	Phase
3162769	113RN(A,G)031-F	CSRH*3012A**	355AAV042040	28000	11.70	13.50	1
3162768	113RN(A,G)031-F	CSRH*3012A**+TDR		28200	11.00	13.00	1
3162798	113RN(A,G)031-F	CSRH*3612A**	313*AV048070	28200	12.00	14.00	1
3162799	113RN(A,G)031-F	CSRH*3612A**	313*AV048090	28200	12.00	14.00	1
3162793	113RN(A,G)031-F	CSRH*3612A**	315(A,J)AV036070	28200	12.00	14.00	1
3162794	113RN(A,G)031-F	CSRH*3612A**	315(A,J)AV048090	28200	12.00	14.00	1
3162795	113RN(A,G)031-F	CSRH*3612A**	315(A,J)AV060110	28200	12.00	14.00	1
3162796	113RN(A,G)031-F	CSRH*3612A**	315(A,J)AV066135	28200	12.00	14.00	1
3162797	113RN(A,G)031-F	CSRH*3612A**	315(A,J)AV066155	28200	12.00	14.00	1
3162800	113RN(A,G)031-F	CSRH*3612A**	353AAV036040	28200	12.00	14.00	1
3162801	113RN(A,G)031-F	CSRH*3612A**	353AAV036060	28200	12.00	14.00	1
3162802	113RN(A,G)031-F	CSRH*3612A**	353AAV036080	28200	12.00	14.00	1
3162803	113RN(A,G)031-F	CSRH*3612A**	353AAV048080	28200	12.00	14.00	1
3162788	113RN(A,G)031-F	CSRH*3612A**	355(A,C)AV042060	28200	12.00	14.00	1
3162789	113RN(A,G)031-F	CSRH*3612A**	355(A,C)AV042080	28200	12.00	14.00	1
3162790	113RN(A,G)031-F	CSRH*3612A**	355(A,C)AV060080	28200	12.00	14.00	1
3162791	113RN(A,G)031-F	CSRH*3612A**	355(A,C)AV060100	28200	12.00	14.00	1
3162792	113RN(A,G)031-F	CSRH*3612A**	355(A,C)AV060120	28200	12.00	14.00	1
3162787	113RN(A,G)031-F	CSRH*3612A**	355AAV042040	28200	12.00	14.00	1
3162786	113RN(A,G)031-F	CSRH*3612A**+TDR		28200	11.00	13.00	1
3162674	113RN(A,G)031-F	FA4CN(F,C)030		27400	11.00	13.00	1
3162676	113RN(A,G)031-F	FC4DN(F,B)036		28200	11.50	13.50	1
3162675	113RN(A,G)031-F	FC4DNF030		28200	11.70	13.50	1
3162677	113RN(A,G)031-F	FF1ENE036		28200	11.00	13.00	1
3162680	113RN(A,G)031-F	FK4DN(B,F)003		28200	12.20	14.50	1
3162681	113RN(A,G)031-F	FK4DN(B,F)005		28200	12.20	14.50	1
3162678	113RN(A,G)031-F	FK4DNF001		28000	11.70	13.50	1
3162679	113RN(A,G)031-F	FK4DNF002		27600	11.70	13.50	1
3043998	113RN(A,G)036-E	†CAR**3617A**+TDR		33800	11.20	13.00	1
3043999	113RN(A,G)036-E	CAR**3614A**	313*AV024045	33400	11.20	13.20	1
3044027	113RN(A,G)036-E	CAR**3614A**	315(A,J)AV036070	33000	11.70	13.50	1
3044026	113RN(A,G)036-E	CAR**3614A**+TDR		33000	11.20	13.00	1
3044000	113RN(A,G)036-E	CAR**3617A**	313*AV048070	34600	11.70	13.50	1
3044029	113RN(A,G)036-E	CAR**3617A**	315(A,J)AV048090	33600	12.00	14.00	1
3113495	113RN(A,G)036-E	CAR**3617A**	353AAV036040	34400	12.00	14.00	1
3113496	113RN(A,G)036-E	CAR**3617A**	353AAV036060	34400	12.00	14.00	1
3113497	113RN(A,G)036-E	CAR**3617A**	353AAV036080	34400	12.00	14.00	1
3113498	113RN(A,G)036-E	CAR**3617A**	353AAV048080	34400	12.00	14.00	1
3044028	113RN(A,G)036-E	CAR**3617A**	355(A,C)AV042060	33800	11.70	13.50	1
3044001	113RN(A,G)036-E	CAR**3621A**	313*AV048090	35000	12.00	14.00	1
3044002	113RN(A,G)036-E	CAR**3621A**	313*AV060110	35200	12.00	14.00	1
3044034	113RN(A,G)036-E	CAR**3621A**	315(A,J)AV060110	33600	12.00	14.00	1
3113499	113RN(A,G)036-E	CAR**3621A**	353AAV060100	34400	12.00	14.00	1
3044031	113RN(A,G)036-E	CAR**3621A**	355(A,C)AV042080	33600	11.70	13.50	1
3044032	113RN(A,G)036-E	CAR**3621A**	355(A,C)AV060080	33600	12.00	14.00	1
3044033	113RN(A,G)036-E	CAR**3621A**	355(A,C)AV060100	33800	12.00	14.00	1
3044030	113RN(A,G)036-E	CAR**3621A**+TDR		33800	11.20	13.00	1
3044003	113RN(A,G)036-E	CAR**4221A**	313*AV048090	35200	12.00	14.00	1
3044004	113RN(A,G)036-E	CAR**4221A**	313*AV060110	35400	12.00	14.00	1
3044039	113RN(A,G)036-E	CAR**4221A**	315(A,J)AV060110	34000	12.00	14.00	1
3113500	113RN(A,G)036-E	CAR**4221A**	353AAV060100	34400	12.00	14.00	1
3044036	113RN(A,G)036-E	CAR**4221A**	355(A,C)AV042080	34000	12.00	14.00	1
3044037	113RN(A,G)036-E	CAR**4221A**	355(A,C)AV060080	33800	12.00	14.00	1
3044038	113RN(A,G)036-E	CAR**4221A**	355(A,C)AV060100	34000	12.00	14.00	1
3044035	113RN(A,G)036-E	CAR**4221A**+TDR		34200	11.20	13.00	1
3044043	113RN(A,G)036-E	CAR**4224A**	315(A,J)AV066135	34000	12.00	14.00	1
3044044	113RN(A,G)036-E	CAR**4224A**	315(A,J)AV066155	34000	12.00	14.00	1
3044041	113RN(A,G)036-E	CAR**4224A**	355(A,C)AV042040	33800	11.70	13.50	1
3044042	113RN(A,G)036-E	CAR**4224A**	355(A,C)AV060120	34000	12.00	14.00	1
3044040	113RN(A,G)036-E	CAR**4224A**+TDR		34200	11.20	13.00	1
3044082	113RN(A,G)036-E	CNRH*3618A**+TDR		33800	11.20	13.00	1
3044010	113RN(A,G)036-E	CNRH*3617A**	313*AV024045	34400	11.20	13.20	1
3044011	113RN(A,G)036-E	CNRH*3617A**	313*AV048070	34400	11.70	13.50	1
3044012	113RN(A,G)036-E	CNRH*3617A**	313*AV048090	34600	12.00	14.00	1
3044013	113RN(A,G)036-E	CNRH*3617A**	313*AV060110	34800	12.00	14.00	1
3044065	113RN(A,G)036-E	CNRH*3617A**	315(A,J)AV036070	33600	11.70	13.50	1
3044066	113RN(A,G)036-E	CNRH*3617A**	315(A,J)AV048090	33600	11.70	13.50	1
3044067	113RN(A,G)036-E	CNRH*3617A**	315(A,J)AV060110	33600	11.70	13.50	1
3044068	113RN(A,G)036-E	CNRH*3617A**	315(A,J)AV066135	33600	12.00	14.00	1
3044069	113RN(A,G)036-E	CNRH*3617A**	315(A,J)AV066155	33600	12.00	14.00	1
3113507	113RN(A,G)036-E	CNRH*3617A**	353AAV036040	34400	12.00	14.00	1
3113508	113RN(A,G)036-E	CNRH*3617A**	353AAV036060	34400	12.00	14.00	1
3113509	113RN(A,G)036-E	CNRH*3617A**	353AAV036080	34400	12.00	14.00	1
3113510	113RN(A,G)036-E	CNRH*3617A**	353AAV048080	34400	12.00	14.00	1
3113511	113RN(A,G)036-E	CNRH*3617A**	353AAV060100	34400	12.00	14.00	1
3044059	113RN(A,G)036-E	CNRH*3617A**	355(A,C)AV042040	33600	11.70	13.50	1
3044060	113RN(A,G)036-E	CNRH*3617A**	355(A,C)AV042060	33600	11.70	13.50	1
3044061	113RN(A,G)036-E	CNRH*3617A**	355(A,C)AV042080	33600	11.70	13.50	1

See notes on pg. 43

COMBINATION RATINGS CONTINUED

ARI Ref. No.	Model Number	Indoor Model	Furnace Model	Capacity	EER	SEER	Phase
3044062	113RN(A,G)036-E	CNRH*3617A**	355(A,C)AV060080	33600	11.70	13.50	1
3044063	113RN(A,G)036-E	CNRH*3617A**	355(A,C)AV060100	33600	11.70	13.50	1
3044064	113RN(A,G)036-E	CNRH*3617A**	355(A,C)AV060120	33600	11.70	13.50	1
3044058	113RN(A,G)036-E	CNRH*3617A**+TDR		33800	11.20	13.00	1
3044014	113RN(A,G)036-E	CNRH*4221A**	313*AV024045	34800	11.50	13.20	1
3044015	113RN(A,G)036-E	CNRH*4221A**	313*AV048070	35000	11.70	13.50	1
3044016	113RN(A,G)036-E	CNRH*4221A**	313*AV048090	35200	12.00	14.00	1
3044017	113RN(A,G)036-E	CNRH*4221A**	313*AV060110	35400	12.00	14.00	1
3044077	113RN(A,G)036-E	CNRH*4221A**	315(A,J)AV036070	33800	11.70	13.50	1
3044078	113RN(A,G)036-E	CNRH*4221A**	315(A,J)AV048090	34000	12.00	14.00	1
3044079	113RN(A,G)036-E	CNRH*4221A**	315(A,J)AV060110	34000	12.00	14.00	1
3044080	113RN(A,G)036-E	CNRH*4221A**	315(A,J)AV066135	34000	12.00	14.00	1
3044081	113RN(A,G)036-E	CNRH*4221A**	315(A,J)AV066155	34000	12.00	14.00	1
3113512	113RN(A,G)036-E	CNRH*4221A**	353AAV036040	34400	12.00	14.00	1
3113513	113RN(A,G)036-E	CNRH*4221A**	353AAV036060	34400	12.00	14.00	1
3113514	113RN(A,G)036-E	CNRH*4221A**	353AAV036080	34400	12.00	14.00	1
3113515	113RN(A,G)036-E	CNRH*4221A**	353AAV048080	34400	12.00	14.00	1
3113516	113RN(A,G)036-E	CNRH*4221A**	353AAV060100	34400	12.00	14.00	1
3044071	113RN(A,G)036-E	CNRH*4221A**	355(A,C)AV042040	33800	11.70	13.50	1
3044072	113RN(A,G)036-E	CNRH*4221A**	355(A,C)AV042060	34000	12.00	14.00	1
3044073	113RN(A,G)036-E	CNRH*4221A**	355(A,C)AV042080	33800	11.70	13.50	1
3044074	113RN(A,G)036-E	CNRH*4221A**	355(A,C)AV060080	33800	12.00	14.00	1
3044075	113RN(A,G)036-E	CNRH*4221A**	355(A,C)AV060100	34000	12.00	14.00	1
3044076	113RN(A,G)036-E	CNRH*4221A**	355(A,C)AV060120	34000	12.00	14.00	1
3044070	113RN(A,G)036-E	CNRH*4221A**+TDR		34200	11.20	13.00	1
3044005	113RN(A,G)036-E	CNRV*3617A**	313*AV048070	34400	11.70	13.50	1
3044047	113RN(A,G)036-E	CNRV*3617A**	315(A,J)AV048090	33600	11.70	13.50	1
3113501	113RN(A,G)036-E	CNRV*3617A**	353AAV036040	34400	12.00	14.00	1
3113502	113RN(A,G)036-E	CNRV*3617A**	353AAV036060	34400	12.00	14.00	1
3113503	113RN(A,G)036-E	CNRV*3617A**	353AAV036080	34400	12.00	14.00	1
3113504	113RN(A,G)036-E	CNRV*3617A**	353AAV048080	34400	12.00	14.00	1
3044046	113RN(A,G)036-E	CNRV*3617A**	355(A,C)AV042060	33600	11.70	13.50	1
3044045	113RN(A,G)036-E	CNRV*3617A**+TDR		33800	11.20	13.00	1
3044006	113RN(A,G)036-E	CNRV*3621A**	313*AV048090	34600	12.00	14.00	1
3044007	113RN(A,G)036-E	CNRV*3621A**	313*AV060110	34800	12.00	14.00	1
3044052	113RN(A,G)036-E	CNRV*3621A**	315(A,J)AV060110	33600	11.70	13.50	1
3113505	113RN(A,G)036-E	CNRV*3621A**	353AAV060100	34400	12.00	14.00	1
3044049	113RN(A,G)036-E	CNRV*3621A**	355(A,C)AV042080	33600	11.70	13.50	1
3044050	113RN(A,G)036-E	CNRV*3621A**	355(A,C)AV060080	33600	11.70	13.50	1
3044051	113RN(A,G)036-E	CNRV*3621A**	355(A,C)AV060100	33600	11.70	13.50	1
3044048	113RN(A,G)036-E	CNRV*3621A**+TDR		33800	11.20	13.00	1
3044008	113RN(A,G)036-E	CNRV*4221A**	313*AV048090	35200	12.00	14.00	1
3044009	113RN(A,G)036-E	CNRV*4221A**	313*AV060110	35400	12.00	14.00	1
3044057	113RN(A,G)036-E	CNRV*4221A**	315(A,J)AV060110	34000	12.00	14.00	1
3113506	113RN(A,G)036-E	CNRV*4221A**	353AAV060100	34400	12.00	14.00	1
3044054	113RN(A,G)036-E	CNRV*4221A**	355(A,C)AV042080	33800	11.70	13.50	1
3044055	113RN(A,G)036-E	CNRV*4221A**	355(A,C)AV060080	33800	12.00	14.00	1
3044056	113RN(A,G)036-E	CNRV*4221A**	355(A,C)AV060100	34000	12.00	14.00	1
3044053	113RN(A,G)036-E	CNRV*4221A**+TDR		34200	11.20	13.00	1
3044018	113RN(A,G)036-E	CSRH*3612A**	313*AV024045	34400	11.20	13.20	1
3044019	113RN(A,G)036-E	CSRH*3612A**	313*AV048070	34400	11.70	13.50	1
3044020	113RN(A,G)036-E	CSRH*3612A**	313*AV048090	34600	12.00	14.00	1
3044021	113RN(A,G)036-E	CSRH*3612A**	313*AV060110	34800	12.00	14.00	1
3044090	113RN(A,G)036-E	CSRH*3612A**	315(A,J)AV036070	33600	12.00	14.00	1
3044091	113RN(A,G)036-E	CSRH*3612A**	315(A,J)AV048090	33600	12.00	14.00	1
3044092	113RN(A,G)036-E	CSRH*3612A**	315(A,J)AV060110	33600	12.00	14.00	1
3044093	113RN(A,G)036-E	CSRH*3612A**	315(A,J)AV066135	33600	12.00	14.00	1
3044094	113RN(A,G)036-E	CSRH*3612A**	315(A,J)AV066155	33600	12.00	14.00	1
3113517	113RN(A,G)036-E	CSRH*3612A**	353AAV036040	34400	12.00	14.00	1
3113518	113RN(A,G)036-E	CSRH*3612A**	353AAV036060	34400	12.00	14.00	1
3113519	113RN(A,G)036-E	CSRH*3612A**	353AAV036080	34400	12.00	14.00	1
3113520	113RN(A,G)036-E	CSRH*3612A**	353AAV048080	34400	12.00	14.00	1
3113521	113RN(A,G)036-E	CSRH*3612A**	353AAV060100	34400	12.00	14.00	1
3044084	113RN(A,G)036-E	CSRH*3612A**	355(A,C)AV042040	33600	12.00	14.00	1
3044085	113RN(A,G)036-E	CSRH*3612A**	355(A,C)AV042060	33600	12.00	14.00	1
3044086	113RN(A,G)036-E	CSRH*3612A**	355(A,C)AV042080	33600	12.00	14.00	1
3044087	113RN(A,G)036-E	CSRH*3612A**	355(A,C)AV060080	33800	12.00	14.00	1
3044088	113RN(A,G)036-E	CSRH*3612A**	355(A,C)AV060100	33600	12.00	14.00	1
3044089	113RN(A,G)036-E	CSRH*3612A**	355(A,C)AV060120	33600	12.00	14.00	1
3044083	113RN(A,G)036-E	CSRH*3612A**+TDR		33800	11.20	13.00	1
3044022	113RN(A,G)036-E	CSRH*4212A**	313*AV024045	34800	11.50	13.20	1
3044023	113RN(A,G)036-E	CSRH*4212A**	313*AV048070	35000	11.70	13.50	1
3044024	113RN(A,G)036-E	CSRH*4212A**	313*AV048090	35200	12.00	14.00	1
3044025	113RN(A,G)036-E	CSRH*4212A**	313*AV060110	35400	12.00	14.00	1
3044102	113RN(A,G)036-E	CSRH*4212A**	315(A,J)AV036070	33800	12.00	14.00	1
3044103	113RN(A,G)036-E	CSRH*4212A**	315(A,J)AV048090	34000	12.00	14.00	1
3044104	113RN(A,G)036-E	CSRH*4212A**	315(A,J)AV060110	34000	12.00	14.00	1
3044105	113RN(A,G)036-E	CSRH*4212A**	315(A,J)AV066135	34000	12.00	14.00	1
3044106	113RN(A,G)036-E	CSRH*4212A**	315(A,J)AV066155	34000	12.00	14.00	1

See notes on pg. 43

113R

COMBINATION RATINGS CONTINUED

ARI Ref. No.	Model Number	Indoor Model	Furnace Model	Capacity	EER	SEER	Phase
3113522	113RN(A,G)036-E	CSRH*4212A**	353AAV036040	34400	12.00	14.00	1
3113523	113RN(A,G)036-E	CSRH*4212A**	353AAV036060	34400	12.00	14.00	1
3113524	113RN(A,G)036-E	CSRH*4212A**	353AAV036080	34400	12.00	14.00	1
3113525	113RN(A,G)036-E	CSRH*4212A**	353AAV048080	34400	12.00	14.00	1
3113526	113RN(A,G)036-E	CSRH*4212A**	353AAV060100	34400	12.00	14.00	1
3044096	113RN(A,G)036-E	CSRH*4212A**	355(A,C)AV042040	33800	12.00	14.00	1
3044097	113RN(A,G)036-E	CSRH*4212A**	355(A,C)AV042060	33800	12.00	14.00	1
3044098	113RN(A,G)036-E	CSRH*4212A**	355(A,C)AV042080	33800	12.00	14.00	1
3044099	113RN(A,G)036-E	CSRH*4212A**	355(A,C)AV060080	33800	12.00	14.00	1
3044100	113RN(A,G)036-E	CSRH*4212A**	355(A,C)AV060100	34000	12.00	14.00	1
3044101	113RN(A,G)036-E	CSRH*4212A**	355(A,C)AV060120	34000	12.00	14.00	1
3044095	113RN(A,G)036-E	CSRH*4212A**+TDR		34200	11.20	13.00	1
3044107	113RN(A,G)036-E	FA4CN(F,C)036		33800	11.00	13.00	1
3044108	113RN(A,G)036-E	FA4CN(F,C)042		34600	11.20	13.00	1
3044109	113RN(A,G)036-E	FC4DN(F,B)036		34600	11.70	13.50	1
3044110	113RN(A,G)036-E	FC4DN(F,B)042		35400	11.70	13.50	1
3044111	113RN(A,G)036-E	FF1ENE036		34400	11.20	13.00	1
3044114	113RN(A,G)036-E	FK4DN(B,F)003		34400	12.00	14.00	1
3044115	113RN(A,G)036-E	FK4DN(B,F)005		35800	12.00	14.00	1
3044116	113RN(A,G)036-E	FK4DNB006		36200	12.00	14.00	1
3044112	113RN(A,G)036-E	FK4DNF001		33800	11.70	13.50	1
3044113	113RN(A,G)036-E	FK4DNF002		34200	11.70	13.50	1
3044117	113RN(A,G)042-C	CAR**4221A**	313*AV048090	40000	11.70	13.50	1
3044118	113RN(A,G)042-C	CAR**4221A**	313*AV060110	40000	11.70	14.00	1
3044148	113RN(A,G)042-C	CAR**4221A**	315(A,J)AV060110	40500	11.20	13.50	1
3113527	113RN(A,G)042-C	CAR**4221A**	353AAV060100	40000	11.70	13.50	1
3044145	113RN(A,G)042-C	CAR**4221A**	355(A,C)AV042080	40000	11.20	13.50	1
3044146	113RN(A,G)042-C	CAR**4221A**	355(A,C)AV060080	40000	11.20	13.50	1
3044147	113RN(A,G)042-C	CAR**4221A**	355(A,C)AV060100	40000	11.20	13.50	1
3044119	113RN(A,G)042-C	CAR**4224A**	313*AV060135	40000	11.70	14.00	1
3044152	113RN(A,G)042-C	CAR**4224A**	315(A,J)AV066135	40500	11.50	14.00	1
3044153	113RN(A,G)042-C	CAR**4224A**	315(A,J)AV066155	40500	11.50	14.00	1
3113528	113RN(A,G)042-C	CAR**4224A**	353AAV060120	40500	12.00	14.00	1
3044150	113RN(A,G)042-C	CAR**4224A**	355(A,C)AV042040	40000	11.20	13.50	1
3044151	113RN(A,G)042-C	CAR**4224A**	355(A,C)AV060120	40000	11.20	13.50	1
3044149	113RN(A,G)042-C	CAR**4224A**+TDR		40500	11.00	13.00	1
3044120	113RN(A,G)042-C	CAR**4817A**	313*AV048070	39500	11.50	13.20	1
3044156	113RN(A,G)042-C	CAR**4817A**	315(A,J)AV048090	40000	11.50	14.00	1
3113529	113RN(A,G)042-C	CAR**4817A**	353AAV036040	40500	11.70	13.50	1
3113530	113RN(A,G)042-C	CAR**4817A**	353AAV036060	40500	11.70	13.50	1
3113531	113RN(A,G)042-C	CAR**4817A**	353AAV036080	40500	11.70	13.50	1
3113532	113RN(A,G)042-C	CAR**4817A**	353AAV048080	40500	11.70	13.50	1
3044155	113RN(A,G)042-C	CAR**4817A**	355(A,C)AV042060	40000	11.20	13.50	1
3044154	113RN(A,G)042-C	CAR**4817A**+TDR		40500	11.00	13.00	1
3044121	113RN(A,G)042-C	CAR**4821A**	313*AV048090	40500	12.00	14.00	1
3044122	113RN(A,G)042-C	CAR**4821A**	313*AV060110	40500	12.00	14.00	1
3044161	113RN(A,G)042-C	CAR**4821A**	315(A,J)AV060110	41000	11.50	14.00	1
3113533	113RN(A,G)042-C	CAR**4821A**	353AAV060100	40500	12.00	14.00	1
3044158	113RN(A,G)042-C	CAR**4821A**	355(A,C)AV042080	40500	11.20	13.50	1
3044159	113RN(A,G)042-C	CAR**4821A**	355(A,C)AV060080	41000	11.20	13.50	1
3044160	113RN(A,G)042-C	CAR**4821A**	355(A,C)AV060100	41000	11.50	14.00	1
3044157	113RN(A,G)042-C	CAR**4821A**+TDR		41500	11.00	13.00	1
3044123	113RN(A,G)042-C	CAR**4824A**	313*AV060135	40500	12.00	14.00	1
3044165	113RN(A,G)042-C	CAR**4824A**	315(A,J)AV066135	41000	11.50	14.00	1
3044166	113RN(A,G)042-C	CAR**4824A**	315(A,J)AV066155	41000	11.50	14.00	1
3113534	113RN(A,G)042-C	CAR**4824A**	353AAV060120	40500	12.00	14.00	1
3044163	113RN(A,G)042-C	CAR**4824A**	355(A,C)AV042040	40500	11.20	13.50	1
3044164	113RN(A,G)042-C	CAR**4824A**	355(A,C)AV060120	41000	11.50	14.00	1
3044162	113RN(A,G)042-C	CAR**4824A**+TDR		41500	11.00	13.00	1
3044206	113RN(A,G)042-C	CNRH*4818A**+TDR		40500	11.00	13.00	1
3044129	113RN(A,G)042-C	CNRH*4221A**	313*AV048070	39500	11.20	13.00	1
3044130	113RN(A,G)042-C	CNRH*4221A**	313*AV048090	40000	11.70	13.75	1
3044131	113RN(A,G)042-C	CNRH*4221A**	313*AV060110	40000	11.70	14.00	1
3044132	113RN(A,G)042-C	CNRH*4221A**	313*AV060135	40000	11.70	14.00	1
3044189	113RN(A,G)042-C	CNRH*4221A**	315(A,J)AV036070	40000	11.20	13.50	1
3044190	113RN(A,G)042-C	CNRH*4221A**	315(A,J)AV048090	40000	11.50	14.00	1
3044191	113RN(A,G)042-C	CNRH*4221A**	315(A,J)AV060110	40000	11.50	14.00	1
3044192	113RN(A,G)042-C	CNRH*4221A**	315(A,J)AV066135	40000	11.50	14.00	1
3044193	113RN(A,G)042-C	CNRH*4221A**	315(A,J)AV066155	40000	11.50	14.00	1
3113538	113RN(A,G)042-C	CNRH*4221A**	353AAV036040	40500	11.70	13.50	1
3113539	113RN(A,G)042-C	CNRH*4221A**	353AAV036060	40000	11.70	13.50	1
3113540	113RN(A,G)042-C	CNRH*4221A**	353AAV036080	40000	11.70	13.50	1
3113541	113RN(A,G)042-C	CNRH*4221A**	353AAV048080	40000	11.70	13.50	1
3113542	113RN(A,G)042-C	CNRH*4221A**	353AAV060100	40000	11.70	13.50	1
3113543	113RN(A,G)042-C	CNRH*4221A**	353AAV060120	40500	11.70	13.50	1
3044183	113RN(A,G)042-C	CNRH*4221A**	355(A,C)AV042040	40000	11.20	13.50	1
3044184	113RN(A,G)042-C	CNRH*4221A**	355(A,C)AV042060	40000	11.20	13.50	1
3044185	113RN(A,G)042-C	CNRH*4221A**	355(A,C)AV042080	40000	11.20	13.50	1
3044186	113RN(A,G)042-C	CNRH*4221A**	355(A,C)AV060080	40000	11.20	13.50	1

See notes on pg. 43

COMBINATION RATINGS CONTINUED

ARI Ref. No.	Model Number	Indoor Model	Furnace Model	Capacity	EER	SEER	Phase
3044187	113RN(A,G)042-C	CNRH*4221A**	355(A,C)AV060100	40000	11.50	14.00	1
3044188	113RN(A,G)042-C	CNRH*4221A**	355(A,C)AV060120	40000	11.50	14.00	1
3044182	113RN(A,G)042-C	CNRH*4221A**+TDR		40500	11.00	13.00	1
3044133	113RN(A,G)042-C	CNRH*4821A**	313*AV048070	40500	11.50	13.20	1
3044134	113RN(A,G)042-C	CNRH*4821A**	313*AV048090	40500	12.00	14.00	1
3044135	113RN(A,G)042-C	CNRH*4821A**	313*AV060110	40500	12.00	14.00	1
3044136	113RN(A,G)042-C	CNRH*4821A**	313*AV060135	40500	12.00	14.00	1
3044201	113RN(A,G)042-C	CNRH*4821A**	315(A,J)AV036070	41000	11.20	13.50	1
3044202	113RN(A,G)042-C	CNRH*4821A**	315(A,J)AV048090	41000	11.50	14.00	1
3044203	113RN(A,G)042-C	CNRH*4821A**	315(A,J)AV060110	41000	11.50	14.00	1
3044204	113RN(A,G)042-C	CNRH*4821A**	315(A,J)AV066135	41000	11.50	14.00	1
3044205	113RN(A,G)042-C	CNRH*4821A**	315(A,J)AV066155	41000	11.50	14.00	1
3113544	113RN(A,G)042-C	CNRH*4821A**	353AAV036040	40500	11.70	13.50	1
3113545	113RN(A,G)042-C	CNRH*4821A**	353AAV036060	40500	11.70	13.50	1
3113546	113RN(A,G)042-C	CNRH*4821A**	353AAV036080	40500	11.70	13.50	1
3113547	113RN(A,G)042-C	CNRH*4821A**	353AAV048080	40500	11.70	13.50	1
3113548	113RN(A,G)042-C	CNRH*4821A**	353AAV060100	40500	12.00	14.00	1
3113549	113RN(A,G)042-C	CNRH*4821A**	353AAV060120	40500	12.00	14.00	1
3044195	113RN(A,G)042-C	CNRH*4821A**	355(A,C)AV042040	41000	11.20	13.50	1
3044196	113RN(A,G)042-C	CNRH*4821A**	355(A,C)AV042060	41000	11.20	13.50	1
3044197	113RN(A,G)042-C	CNRH*4821A**	355(A,C)AV042080	41000	11.20	13.50	1
3044198	113RN(A,G)042-C	CNRH*4821A**	355(A,C)AV060080	41000	11.20	13.50	1
3044199	113RN(A,G)042-C	CNRH*4821A**	355(A,C)AV060100	41000	11.50	14.00	1
3044200	113RN(A,G)042-C	CNRH*4821A**	355(A,C)AV060120	41000	11.50	14.00	1
3044194	113RN(A,G)042-C	CNRH*4821A**+TDR		41500	11.00	13.00	1
3044124	113RN(A,G)042-C	CNRV*4221A**	313*AV048090	40000	11.70	13.50	1
3044125	113RN(A,G)042-C	CNRV*4221A**	313*AV060110	40000	11.70	13.50	1
3044171	113RN(A,G)042-C	CNRV*4221A**	315(A,J)AV060110	40000	11.50	14.00	1
3113535	113RN(A,G)042-C	CNRV*4221A**	353AAV060100	40000	11.70	13.50	1
3044168	113RN(A,G)042-C	CNRV*4221A**	355(A,C)AV042080	40000	11.20	13.50	1
3044169	113RN(A,G)042-C	CNRV*4221A**	355(A,C)AV060080	40000	11.20	13.50	1
3044170	113RN(A,G)042-C	CNRV*4221A**	355(A,C)AV060100	40000	11.50	14.00	1
3044167	113RN(A,G)042-C	CNRV*4221A**+TDR		40500	11.00	13.00	1
3044126	113RN(A,G)042-C	CNRV*4821A**	313*AV048090	40500	12.00	14.00	1
3044127	113RN(A,G)042-C	CNRV*4821A**	313*AV060110	40500	12.00	14.00	1
3044176	113RN(A,G)042-C	CNRV*4821A**	315(A,J)AV060110	41000	11.50	14.00	1
3113536	113RN(A,G)042-C	CNRV*4821A**	353AAV060100	40500	12.00	14.00	1
3044173	113RN(A,G)042-C	CNRV*4821A**	355(A,C)AV042080	41000	11.20	13.50	1
3044174	113RN(A,G)042-C	CNRV*4821A**	355(A,C)AV060080	41000	11.20	13.50	1
3044175	113RN(A,G)042-C	CNRV*4821A**	355(A,C)AV060100	41000	11.50	14.00	1
3044172	113RN(A,G)042-C	CNRV*4821A**+TDR		41500	11.00	13.00	1
3044128	113RN(A,G)042-C	CNRV*4824A**	313*AV060135	40500	12.00	14.00	1
3044180	113RN(A,G)042-C	CNRV*4824A**	315(A,J)AV066135	41000	11.50	14.00	1
3044181	113RN(A,G)042-C	CNRV*4824A**	315(A,J)AV066155	41000	11.50	14.00	1
3113537	113RN(A,G)042-C	CNRV*4824A**	353AAV060120	40500	12.00	14.00	1
3044178	113RN(A,G)042-C	CNRV*4824A**	355(A,C)AV042040	41000	11.20	13.50	1
3044179	113RN(A,G)042-C	CNRV*4824A**	355(A,C)AV060120	41000	11.50	14.00	1
3044177	113RN(A,G)042-C	CNRV*4824A**+TDR		41500	11.00	13.00	1
3044137	113RN(A,G)042-C	CSRH*4212A**	313*AV048070	40000	11.50	13.20	1
3044138	113RN(A,G)042-C	CSRH*4212A**	313*AV048090	40000	11.70	13.75	1
3044139	113RN(A,G)042-C	CSRH*4212A**	313*AV060110	40000	11.70	14.00	1
3044140	113RN(A,G)042-C	CSRH*4212A**	313*AV060135	40000	11.70	14.00	1
3044214	113RN(A,G)042-C	CSRH*4212A**	315(A,J)AV036070	40000	11.20	13.50	1
3044215	113RN(A,G)042-C	CSRH*4212A**	315(A,J)AV048090	40000	11.50	14.00	1
3044216	113RN(A,G)042-C	CSRH*4212A**	315(A,J)AV060110	40000	11.50	14.00	1
3044217	113RN(A,G)042-C	CSRH*4212A**	315(A,J)AV066135	40000	11.50	14.00	1
3044218	113RN(A,G)042-C	CSRH*4212A**	315(A,J)AV066155	40000	11.50	14.00	1
3113550	113RN(A,G)042-C	CSRH*4212A**	353AAV036040	40500	11.70	13.50	1
3113551	113RN(A,G)042-C	CSRH*4212A**	353AAV036060	40500	11.70	13.50	1
3113552	113RN(A,G)042-C	CSRH*4212A**	353AAV036080	40500	11.70	13.50	1
3113553	113RN(A,G)042-C	CSRH*4212A**	353AAV048080	40500	11.70	13.50	1
3113554	113RN(A,G)042-C	CSRH*4212A**	353AAV060100	40500	12.00	14.00	1
3113555	113RN(A,G)042-C	CSRH*4212A**	353AAV060120	40500	12.00	14.00	1
3044208	113RN(A,G)042-C	CSRH*4212A**	355(A,C)AV042040	40000	11.20	13.50	1
3044209	113RN(A,G)042-C	CSRH*4212A**	355(A,C)AV042060	40000	11.20	13.50	1
3044210	113RN(A,G)042-C	CSRH*4212A**	355(A,C)AV042080	40000	11.20	13.50	1
3044211	113RN(A,G)042-C	CSRH*4212A**	355(A,C)AV060080	40000	11.20	13.50	1
3044212	113RN(A,G)042-C	CSRH*4212A**	355(A,C)AV060100	40000	11.50	14.00	1
3044213	113RN(A,G)042-C	CSRH*4212A**	355(A,C)AV060120	40000	11.50	14.00	1
3044207	113RN(A,G)042-C	CSRH*4212A**+TDR		40500	11.00	13.00	1
3044141	113RN(A,G)042-C	CSRH*4812A**	313*AV048070	40500	11.50	13.20	1
3044142	113RN(A,G)042-C	CSRH*4812A**	313*AV048090	40500	12.00	14.00	1
3044143	113RN(A,G)042-C	CSRH*4812A**	313*AV060110	40500	12.00	14.00	1
3044144	113RN(A,G)042-C	CSRH*4812A**	313*AV060135	40500	12.00	14.00	1
3044226	113RN(A,G)042-C	CSRH*4812A**	315(A,J)AV036070	40500	11.20	13.50	1
3044227	113RN(A,G)042-C	CSRH*4812A**	315(A,J)AV048090	40500	11.50	14.00	1
3044228	113RN(A,G)042-C	CSRH*4812A**	315(A,J)AV060110	40500	11.50	14.00	1
3044229	113RN(A,G)042-C	CSRH*4812A**	315(A,J)AV066135	40500	11.50	14.00	1
3044230	113RN(A,G)042-C	CSRH*4812A**	315(A,J)AV066155	40500	11.50	14.00	1

See notes on pg. 43

113R

COMBINATION RATINGS CONTINUED

ARI Ref. No.	Model Number	Indoor Model	Furnace Model	Capacity	EER	SEER	Phase
3113556	113RN(A,G)042-C	CSRH*4812A**	353AAV036040	40500	11.70	13.50	1
3113557	113RN(A,G)042-C	CSRH*4812A**	353AAV036060	40500	11.70	13.50	1
3113558	113RN(A,G)042-C	CSRH*4812A**	353AAV036080	40500	11.70	13.50	1
3113559	113RN(A,G)042-C	CSRH*4812A**	353AAV048080	40500	11.70	13.50	1
3113560	113RN(A,G)042-C	CSRH*4812A**	353AAV060100	40500	12.00	14.00	1
3113561	113RN(A,G)042-C	CSRH*4812A**	353AAV060120	40500	12.00	14.00	1
3044220	113RN(A,G)042-C	CSRH*4812A**	355(A,C)AV042040	40500	11.20	13.50	1
3044221	113RN(A,G)042-C	CSRH*4812A**	355(A,C)AV042060	40500	11.20	13.50	1
3044222	113RN(A,G)042-C	CSRH*4812A**	355(A,C)AV042080	40500	11.20	13.50	1
3044223	113RN(A,G)042-C	CSRH*4812A**	355(A,C)AV060080	40500	11.20	13.50	1
3044224	113RN(A,G)042-C	CSRH*4812A**	355(A,C)AV060100	40500	11.50	14.00	1
3044225	113RN(A,G)042-C	CSRH*4812A**	355(A,C)AV060120	40500	11.50	14.00	1
3044219	113RN(A,G)042-C	CSRH*4812A**+TDR		41000	11.00	13.00	1
3044231	113RN(A,G)042-C	FA4CN(F,C)042		41000	11.00	13.00	1
3044232	113RN(A,G)042-C	FA4CN(F,C)048		41500	11.00	13.00	1
3044233	113RN(A,G)042-C	FC4DN(F,B)042		41500	11.20	13.50	1
3044234	113RN(A,G)042-C	FC4DN(F,B)048		42500	11.50	14.00	1
3044235	113RN(A,G)042-C	FK4DN(B,F)003		40000	11.50	14.00	1
3044236	113RN(A,G)042-C	FK4DN(B,F)005		42000	11.50	14.00	1
3044237	113RN(A,G)042-C	FK4DNB006		42500	11.50	14.00	1
3044238	113RN(A,G)048-D	†CAR**4821A**+TDR		46000	11.00	13.00	1
3044262	113RN(A,G)048-D	CAR**4817A**	315(A,J)AV048090	44500	11.00	13.20	1
3044261	113RN(A,G)048-D	CAR**4817A**+TDR		45000	11.00	13.00	1
3044239	113RN(A,G)048-D	CAR**4821A**	313*AV048090	45500	11.50	13.25	1
3044240	113RN(A,G)048-D	CAR**4821A**	313*AV060110	45500	11.70	13.50	1
3044265	113RN(A,G)048-D	CAR**4821A**	315(A,J)AV060110	45500	11.00	13.20	1
3113562	113RN(A,G)048-D	CAR**4821A**	353AAV060100	45500	11.70	13.50	1
3044263	113RN(A,G)048-D	CAR**4821A**	355(A,C)AV060080	45000	11.00	13.20	1
3044264	113RN(A,G)048-D	CAR**4821A**	355(A,C)AV060100	45500	11.80	13.20	1
3044241	113RN(A,G)048-D	CAR**4824A**	313*AV060135	45500	11.70	13.50	1
3044268	113RN(A,G)048-D	CAR**4824A**	315(A,J)AV066135	45500	11.20	13.50	1
3044269	113RN(A,G)048-D	CAR**4824A**	315(A,J)AV066155	45500	11.50	14.00	1
3113563	113RN(A,G)048-D	CAR**4824A**	353AAV060120	46000	11.70	13.50	1
3044267	113RN(A,G)048-D	CAR**4824A**	355(A,C)AV060120	45000	11.00	13.20	1
3044266	113RN(A,G)048-D	CAR**4824A**+TDR		46500	11.00	13.00	1
3044242	113RN(A,G)048-D	CAR**6021A**	313*AV048090	46500	11.70	13.75	1
3044243	113RN(A,G)048-D	CAR**6021A**	313*AV060110	46500	12.00	14.00	1
3044273	113RN(A,G)048-D	CAR**6021A**	315(A,J)AV060110	46500	11.20	13.50	1
3113564	113RN(A,G)048-D	CAR**6021A**	353AAV060100	47000	12.00	14.00	1
3044271	113RN(A,G)048-D	CAR**6021A**	355(A,C)AV060080	46500	11.20	13.50	1
3044272	113RN(A,G)048-D	CAR**6021A**	355(A,C)AV060100	46500	11.20	13.50	1
3044270	113RN(A,G)048-D	CAR**6021A**+TDR		47500	11.00	13.00	1
3044244	113RN(A,G)048-D	CAR**6024A**	313*AV060135	47000	11.70	13.75	1
3044276	113RN(A,G)048-D	CAR**6024A**	315(A,J)AV066135	46500	11.20	13.50	1
3044277	113RN(A,G)048-D	CAR**6024A**	315(A,J)AV066155	47000	11.50	14.00	1
3113565	113RN(A,G)048-D	CAR**6024A**	353AAV060120	47000	12.00	14.00	1
3044275	113RN(A,G)048-D	CAR**6024A**	355(A,C)AV060120	46500	11.20	13.50	1
3044274	113RN(A,G)048-D	CAR**6024A**+TDR		47500	11.00	13.00	1
3044306	113RN(A,G)048-D	CNRH*4818A**+TDR		45000	11.00	13.00	1
3044249	113RN(A,G)048-D	CNRH*4821A**	313*AV048090	45500	11.50	13.20	1
3044250	113RN(A,G)048-D	CNRH*4821A**	313*AV060110	45500	11.70	13.50	1
3044251	113RN(A,G)048-D	CNRH*4821A**	313*AV060135	45500	11.70	13.50	1
3044294	113RN(A,G)048-D	CNRH*4821A**	315(A,J)AV048090	45000	11.20	13.50	1
3044295	113RN(A,G)048-D	CNRH*4821A**	315(A,J)AV060110	45000	11.20	13.50	1
3044296	113RN(A,G)048-D	CNRH*4821A**	315(A,J)AV066135	45000	11.20	13.50	1
3044297	113RN(A,G)048-D	CNRH*4821A**	315(A,J)AV066155	45500	11.20	13.50	1
3113569	113RN(A,G)048-D	CNRH*4821A**	353AAV060100	46000	11.70	13.50	1
3113570	113RN(A,G)048-D	CNRH*4821A**	353AAV060120	46000	11.70	13.50	1
3044291	113RN(A,G)048-D	CNRH*4821A**	355(A,C)AV060080	45000	11.00	13.20	1
3044292	113RN(A,G)048-D	CNRH*4821A**	355(A,C)AV060100	45000	11.00	13.20	1
3044293	113RN(A,G)048-D	CNRH*4821A**	355(A,C)AV060120	45000	11.00	13.20	1
3044290	113RN(A,G)048-D	CNRH*4821A**+TDR		46000	11.00	13.00	1
3044252	113RN(A,G)048-D	CNRH*6024A**	313*AV048090	47000	11.70	13.75	1
3044253	113RN(A,G)048-D	CNRH*6024A**	313*AV060110	47000	12.00	14.00	1
3044254	113RN(A,G)048-D	CNRH*6024A**	313*AV060135	47000	11.70	13.75	1
3044302	113RN(A,G)048-D	CNRH*6024A**	315(A,J)AV048090	46500	11.20	13.50	1
3044303	113RN(A,G)048-D	CNRH*6024A**	315(A,J)AV060110	46500	11.20	13.50	1
3044304	113RN(A,G)048-D	CNRH*6024A**	315(A,J)AV066135	46500	11.20	13.50	1
3044305	113RN(A,G)048-D	CNRH*6024A**	315(A,J)AV066155	47000	11.50	14.00	1
3113571	113RN(A,G)048-D	CNRH*6024A**	353AAV048080	46500	11.70	13.50	1
3113572	113RN(A,G)048-D	CNRH*6024A**	353AAV060100	46500	11.70	13.50	1
3113573	113RN(A,G)048-D	CNRH*6024A**	353AAV060120	46500	12.00	14.00	1
3044299	113RN(A,G)048-D	CNRH*6024A**	355(A,C)AV060080	46500	11.20	13.50	1
3044300	113RN(A,G)048-D	CNRH*6024A**	355(A,C)AV060100	46500	11.20	13.50	1
3044301	113RN(A,G)048-D	CNRH*6024A**	355(A,C)AV060120	46500	11.20	13.50	1
3044298	113RN(A,G)048-D	CNRH*6024A**+TDR		47500	11.00	13.00	1
3044245	113RN(A,G)048-D	CNRV*4821A**	313*AV048090	45500	11.50	13.20	1
3044246	113RN(A,G)048-D	CNRV*4821A**	313*AV060110	45500	11.70	13.50	1

See notes on pg. 43

COMBINATION RATINGS CONTINUED

ARI Ref. No.	Model Number	Indoor Model	Furnace Model	Capacity	EER	SEER	Phase
3044281	113RN(A,G)048-D	CNRV*4821A**	315(A,J)AV060110	45000	11.20	13.50	1
3113566	113RN(A,G)048-D	CNRV*4821A**	353AAV060100	46000	11.70	13.50	1
3044279	113RN(A,G)048-D	CNRV*4821A**	355(A,C)AV060080	45000	11.00	13.20	1
3044280	113RN(A,G)048-D	CNRV*4821A**	355(A,C)AV060100	45000	11.00	13.20	1
3044278	113RN(A,G)048-D	CNRV*4821A**+TDR		46000	11.00	13.00	1
3044247	113RN(A,G)048-D	CNRV*4824A**	313*AV060135	45500	11.70	13.50	1
3044284	113RN(A,G)048-D	CNRV*4824A**	315(A,J)AV066135	45500	11.20	13.50	1
3044285	113RN(A,G)048-D	CNRV*4824A**	315(A,J)AV066155	46000	11.20	13.50	1
3113567	113RN(A,G)048-D	CNRV*4824A**	353AAV060120	46000	11.70	13.50	1
3044283	113RN(A,G)048-D	CNRV*4824A**	355(A,C)AV060120	45500	11.00	13.20	1
3044282	113RN(A,G)048-D	CNRV*4824A**+TDR		46500	11.00	13.00	1
3044248	113RN(A,G)048-D	CNRV*6024A**	313*AV060135	47000	11.70	13.75	1
3044288	113RN(A,G)048-D	CNRV*6024A**	315(A,J)AV066135	46500	11.20	13.50	1
3044289	113RN(A,G)048-D	CNRV*6024A**	315(A,J)AV066155	47000	11.50	14.00	1
3113568	113RN(A,G)048-D	CNRV*6024A**	353AAV060120	47000	12.00	14.00	1
3044287	113RN(A,G)048-D	CNRV*6024A**	355(A,C)AV060120	46500	11.20	13.50	1
3044286	113RN(A,G)048-D	CNRV*6024A**+TDR		47500	11.00	13.00	1
3044255	113RN(A,G)048-D	CSRH*4812A**	313*AV048090	45500	11.50	13.20	1
3044256	113RN(A,G)048-D	CSRH*4812A**	313*AV060110	45500	11.70	13.50	1
3044257	113RN(A,G)048-D	CSRH*4812A**	313*AV060135	45500	11.70	13.50	1
3044311	113RN(A,G)048-D	CSRH*4812A**	315(A,J)AV048090	45000	11.20	13.50	1
3044312	113RN(A,G)048-D	CSRH*4812A**	315(A,J)AV060110	45000	11.20	13.50	1
3044313	113RN(A,G)048-D	CSRH*4812A**	315(A,J)AV066135	45000	11.20	13.50	1
3044314	113RN(A,G)048-D	CSRH*4812A**	315(A,J)AV066155	45000	11.20	13.50	1
3113574	113RN(A,G)048-D	CSRH*4812A**	353AAV060100	46000	11.70	13.50	1
3113575	113RN(A,G)048-D	CSRH*4812A**	353AAV060120	46500	11.70	13.50	1
3044308	113RN(A,G)048-D	CSRH*4812A**	355(A,C)AV060080	45000	11.00	13.20	1
3044309	113RN(A,G)048-D	CSRH*4812A**	355(A,C)AV060100	45000	11.00	13.20	1
3044310	113RN(A,G)048-D	CSRH*4812A**	355(A,C)AV060120	45000	11.00	13.20	1
3044307	113RN(A,G)048-D	CSRH*4812A**+TDR		46000	11.00	13.00	1
3044258	113RN(A,G)048-D	CSRH*6012A**	313*AV048090	47000	11.70	13.75	1
3044259	113RN(A,G)048-D	CSRH*6012A**	313*AV060110	47000	12.00	14.00	1
3044260	113RN(A,G)048-D	CSRH*6012A**	313*AV060135	47000	11.70	13.75	1
3044319	113RN(A,G)048-D	CSRH*6012A**	315(A,J)AV048090	46500	11.20	13.50	1
3044320	113RN(A,G)048-D	CSRH*6012A**	315(A,J)AV060110	46500	11.20	13.50	1
3044321	113RN(A,G)048-D	CSRH*6012A**	315(A,J)AV066135	46500	11.50	14.00	1
3044322	113RN(A,G)048-D	CSRH*6012A**	315(A,J)AV066155	46500	11.50	14.00	1
3113576	113RN(A,G)048-D	CSRH*6012A**	353AAV048080	46500	11.70	13.50	1
3113577	113RN(A,G)048-D	CSRH*6012A**	353AAV060100	46500	12.00	14.00	1
3113578	113RN(A,G)048-D	CSRH*6012A**	353AAV060120	46500	12.00	14.00	1
3044316	113RN(A,G)048-D	CSRH*6012A**	355(A,C)AV060080	46500	11.20	13.50	1
3044317	113RN(A,G)048-D	CSRH*6012A**	355(A,C)AV060100	46500	11.20	13.50	1
3044318	113RN(A,G)048-D	CSRH*6012A**	355(A,C)AV060120	46500	11.20	13.50	1
3044315	113RN(A,G)048-D	CSRH*6012A**+TDR		47500	11.00	13.00	1
3044323	113RN(A,G)048-D	FA4CN(F,C)048		47000	11.00	13.00	1
3044324	113RN(A,G)048-D	FC4DN(F,B)048		47500	11.20	13.50	1
3044325	113RN(A,G)048-D	FC4DN(F,B)060		48500	11.50	14.00	1
3044326	113RN(A,G)048-D	FK4DN(B,F)005		47000	11.50	14.00	1
3044327	113RN(A,G)048-D	FK4DNB006		47500	11.50	14.00	1
3044328	113RN(A,G)060-H	†CAR**6024A**+TDR		56000	11.00	13.00	1
3044329	113RN(A,G)060-H	CAR**6021A**	313*AV048090	54500	11.00	13.00	1
3044330	113RN(A,G)060-H	CAR**6021A**	313*AV060110	55000	11.20	13.25	1
3113579	113RN(A,G)060-H	CAR**6021A**	353AAV060100	55500	11.00	13.25	1
3044339	113RN(A,G)060-H	CAR**6021A**+TDR		55500	11.00	13.00	1
3044331	113RN(A,G)060-H	CAR**6024A**	313*AV060135	55500	11.20	13.25	1
3044340	113RN(A,G)060-H	CAR**6024A**	315(A,J)AV066135	55000	11.20	13.20	1
3044341	113RN(A,G)060-H	CAR**6024A**	315(A,J)AV066155	56000	11.20	13.20	1
3113580	113RN(A,G)060-H	CAR**6024A**	353AAV060120	55500	11.00	13.50	1
3044333	113RN(A,G)060-H	CNRH*6024A**	313*AV048090	55000	11.00	13.00	1
3044334	113RN(A,G)060-H	CNRH*6024A**	313*AV060110	55500	11.20	13.25	1
3044335	113RN(A,G)060-H	CNRH*6024A**	313*AV060135	55500	11.20	13.25	1
3044344	113RN(A,G)060-H	CNRH*6024A**	315(A,J)AV066135	55000	11.20	13.20	1
3044345	113RN(A,G)060-H	CNRH*6024A**	315(A,J)AV066155	55500	11.50	13.50	1
3113582	113RN(A,G)060-H	CNRH*6024A**	353AAV060100	55500	11.00	13.25	1
3113583	113RN(A,G)060-H	CNRH*6024A**	353AAV060120	55500	11.00	13.50	1
3089299	113RN(A,G)060-H	CNRH*6024A**+TDR		56000	11.00	13.00	1
3044332	113RN(A,G)060-H	CNRV*6024A**	313*AV060135	55500	11.20	13.25	1
3044342	113RN(A,G)060-H	CNRV*6024A**	315(A,J)AV066135	55500	11.00	13.20	1
3044343	113RN(A,G)060-H	CNRV*6024A**	315(A,J)AV066155	55500	11.50	13.50	1
3113581	113RN(A,G)060-H	CNRV*6024A**	353AAV060120	55500	11.00	13.50	1
3089298	113RN(A,G)060-H	CNRV*6024A**+TDR		56000	11.00	13.00	1
3044336	113RN(A,G)060-H	CSRH*6012A**	313*AV048090	55000	11.00	13.00	1
3044337	113RN(A,G)060-H	CSRH*6012A**	313*AV060110	56000	11.20	13.25	1
3044338	113RN(A,G)060-H	CSRH*6012A**	313*AV060135	56000	11.20	13.25	1
3044346	113RN(A,G)060-H	CSRH*6012A**	315(A,J)AV066135	56000	11.20	13.20	1
3044347	113RN(A,G)060-H	CSRH*6012A**	315(A,J)AV066155	56000	11.50	13.50	1
3113584	113RN(A,G)060-H	CSRH*6012A**	353AAV060100	56000	11.00	13.50	1
3113585	113RN(A,G)060-H	CSRH*6012A**	353AAV060120	56000	11.00	13.50	1

See notes on pg. 43

113R

COMBINATION RATINGS CONTINUED

ARI Ref. No.	Model Number	Indoor Model	Furnace Model	Capacity	EER	SEER	Phase
3089300	113RN(A,G)060-H	CSRH*6012A**+TDR		56000	11.00	13.00	1
3044348	113RN(A,G)060-H	FA4CN(B,C)060		56000	11.00	13.00	1
3044349	113RN(A,G)060-H	FC4DN(F,B)060		56000	11.20	13.20	1
3044350	113RN(A,G)060-H	FK4DNB006		56500	11.70	13.50	1
3041730	113RP(A,G)030-E	CAP**3017A**	313*AV048070	28600	12.00	14.00	3
3041731	113RP(A,G)030-E	CAP**3617A**	313*AV048070	28600	12.00	14.00	3
3041732	113RP(A,G)030-E	CAP**3621A**	313*AV048090	29000	12.20	14.50	3
3041744	113RP(A,G)030-E	CAR**3014A**	315(A,J)AV036070	27200	12.00	14.00	3
3041746	113RP(A,G)030-E	CAR**3017A**	315(A,J)AV048090	27400	12.00	14.00	3
3124761	113RP(A,G)030-E	CAR**3017A**	353AAV036040	28600	12.00	14.00	3
3124762	113RP(A,G)030-E	CAR**3017A**	353AAV036060	28600	12.00	14.00	3
3124763	113RP(A,G)030-E	CAR**3017A**	353AAV036080	28600	12.00	14.00	3
3124764	113RP(A,G)030-E	CAR**3017A**	353AAV048080	28600	12.00	14.00	3
3041745	113RP(A,G)030-E	CAR**3017A**	355(A,C)AV042060	27400	12.00	14.00	3
3041747	113RP(A,G)030-E	CAR**3614A**	315(A,J)AV036070	27400	12.00	14.00	3
3041749	113RP(A,G)030-E	CAR**3617A**	315(A,J)AV048090	27400	12.00	14.00	3
3124765	113RP(A,G)030-E	CAR**3617A**	353AAV036040	28600	12.00	14.50	3
3124766	113RP(A,G)030-E	CAR**3617A**	353AAV036060	28600	12.00	14.50	3
3124767	113RP(A,G)030-E	CAR**3617A**	353AAV036080	28600	12.00	14.50	3
3124768	113RP(A,G)030-E	CAR**3617A**	353AAV048080	28600	12.00	14.50	3
3041748	113RP(A,G)030-E	CAR**3617A**	355(A,C)AV042060	27600	12.00	14.00	3
3041753	113RP(A,G)030-E	CAR**3621A**	315(A,J)AV060110	27600	12.00	14.00	3
3041750	113RP(A,G)030-E	CAR**3621A**	355(A,C)AV042080	28200	12.00	14.00	3
3041751	113RP(A,G)030-E	CAR**3621A**	355(A,C)AV060080	28200	12.00	14.00	3
3041752	113RP(A,G)030-E	CAR**3621A**	355(A,C)AV060100	28200	12.00	14.00	3
3041736	113RP(A,G)030-E	CNPH*3017A**	313*AV048070	28600	12.00	14.00	3
3041737	113RP(A,G)030-E	CNPH*3017A**	313*AV048090	28600	12.00	14.00	3
3041941	113RE(A,G)036-E	†CAR**3617A**+TDR		33800	11.20	13.00	3
3041942	113RE(A,G)036-E	CAR**3614A**	313*AV024045	33400	11.20	13.20	3
3041970	113RE(A,G)036-E	CAR**3614A**	315(A,J)AV036070	33000	11.70	13.50	3
3041969	113RE(A,G)036-E	CAR**3614A**+TDR		33000	11.20	13.00	3
3041943	113RE(A,G)036-E	CAR**3617A**	313*AV048070	34600	11.70	13.50	3
3041972	113RE(A,G)036-E	CAR**3617A**	315(A,J)AV048090	33600	12.00	14.00	3
3124884	113RE(A,G)036-E	CAR**3617A**	353AAV036040	34400	12.00	14.00	3
3124885	113RE(A,G)036-E	CAR**3617A**	353AAV036060	34400	12.00	14.00	3
3124886	113RE(A,G)036-E	CAR**3617A**	353AAV036080	34400	12.00	14.00	3
3124887	113RE(A,G)036-E	CAR**3617A**	353AAV048080	34400	12.00	14.00	3
3041971	113RE(A,G)036-E	CAR**3617A**	355(A,C)AV042060	33800	11.70	13.50	3
3041944	113RE(A,G)036-E	CAR**3621A**	313*AV048090	35000	12.00	14.00	3
3041945	113RE(A,G)036-E	CAR**3621A**	313*AV060110	35200	12.00	14.00	3
3041977	113RE(A,G)036-E	CAR**3621A**	315(A,J)AV060110	33600	12.00	14.00	3
3124888	113RE(A,G)036-E	CAR**3621A**	353AAV060100	34400	12.00	14.00	3
3041974	113RE(A,G)036-E	CAR**3621A**	355(A,C)AV042080	33600	11.70	13.50	3
3041975	113RE(A,G)036-E	CAR**3621A**	355(A,C)AV060080	33600	12.00	14.00	3
3041976	113RE(A,G)036-E	CAR**3621A**	355(A,C)AV060100	33800	12.00	14.00	3
3041973	113RE(A,G)036-E	CAR**3621A**+TDR		33800	11.20	13.00	3
3041946	113RE(A,G)036-E	CAR**4221A**	313*AV048090	35200	12.00	14.00	3
3041947	113RE(A,G)036-E	CAR**4221A**	313*AV060110	35400	12.00	14.00	3
3041982	113RE(A,G)036-E	CAR**4221A**	315(A,J)AV060110	34000	12.00	14.00	3
3124889	113RE(A,G)036-E	CAR**4221A**	353AAV060100	34400	12.00	14.00	3
3041979	113RE(A,G)036-E	CAR**4221A**	355(A,C)AV042080	34000	12.00	14.00	3
3041980	113RE(A,G)036-E	CAR**4221A**	355(A,C)AV060080	33800	12.00	14.00	3
3041981	113RE(A,G)036-E	CAR**4221A**	355(A,C)AV060100	34000	12.00	14.00	3
3041978	113RE(A,G)036-E	CAR**4221A**+TDR		34200	11.20	13.00	3
3041986	113RE(A,G)036-E	CAR**4224A**	315(A,J)AV066135	34000	12.00	14.00	3
3041987	113RE(A,G)036-E	CAR**4224A**	315(A,J)AV066155	34000	12.00	14.00	3
3041984	113RE(A,G)036-E	CAR**4224A**	355(A,C)AV042040	33800	11.70	13.50	3
3041985	113RE(A,G)036-E	CAR**4224A**	355(A,C)AV060120	34000	12.00	14.00	3
3041983	113RE(A,G)036-E	CAR**4224A**+TDR		34200	11.20	13.00	3
3042025	113RE(A,G)036-E	CNRH*3618A**+TDR		33800	11.20	13.00	3
3041953	113RE(A,G)036-E	CNRH*3617A**	313*AV024045	34400	11.20	13.20	3
3041954	113RE(A,G)036-E	CNRH*3617A**	313*AV048070	34400	11.70	13.50	3
3041955	113RE(A,G)036-E	CNRH*3617A**	313*AV048090	34600	12.00	14.00	3
3041956	113RE(A,G)036-E	CNRH*3617A**	313*AV060110	34800	12.00	14.00	3
3042008	113RE(A,G)036-E	CNRH*3617A**	315(A,J)AV036070	33600	11.70	13.50	3
3042009	113RE(A,G)036-E	CNRH*3617A**	315(A,J)AV048090	33600	11.70	13.50	3
3042010	113RE(A,G)036-E	CNRH*3617A**	315(A,J)AV060110	33600	11.70	13.50	3
3042011	113RE(A,G)036-E	CNRH*3617A**	315(A,J)AV066135	33600	12.00	14.00	3
3042012	113RE(A,G)036-E	CNRH*3617A**	315(A,J)AV066155	33600	12.00	14.00	3
3124896	113RE(A,G)036-E	CNRH*3617A**	353AAV036040	34400	12.00	14.00	3
3124897	113RE(A,G)036-E	CNRH*3617A**	353AAV036060	34400	12.00	14.00	3
3124898	113RE(A,G)036-E	CNRH*3617A**	353AAV036080	34400	12.00	14.00	3
3124899	113RE(A,G)036-E	CNRH*3617A**	353AAV048080	34400	12.00	14.00	3
3124900	113RE(A,G)036-E	CNRH*3617A**	353AAV060100	34400	12.00	14.00	3
3042002	113RE(A,G)036-E	CNRH*3617A**	355(A,C)AV042040	33600	11.70	13.50	3
3042003	113RE(A,G)036-E	CNRH*3617A**	355(A,C)AV042060	33600	11.70	13.50	3
3042004	113RE(A,G)036-E	CNRH*3617A**	355(A,C)AV042080	33600	11.70	13.50	3
3042005	113RE(A,G)036-E	CNRH*3617A**	355(A,C)AV060080	33600	11.70	13.50	3
3042006	113RE(A,G)036-E	CNRH*3617A**	355(A,C)AV060100	33600	11.70	13.50	3

See notes on pg. 43

COMBINATION RATINGS CONTINUED

ARI Ref. No.	Model Number	Indoor Model	Furnace Model	Capacity	EER	SEER	Phase
3042007	113RE(A,G)036-E	CNRH*3617A**	355(A,C)AV060120	33600	11.70	13.50	3
3042001	113RE(A,G)036-E	CNRH*3617A**+TDR		33800	11.20	13.00	3
3041957	113RE(A,G)036-E	CNRH*4221A**	313*AV024045	34800	11.50	13.20	3
3041958	113RE(A,G)036-E	CNRH*4221A**	313*AV048070	35000	11.70	13.50	3
3041959	113RE(A,G)036-E	CNRH*4221A**	313*AV048090	35200	12.00	14.00	3
3041960	113RE(A,G)036-E	CNRH*4221A**	313*AV060110	35400	12.00	14.00	3
3042020	113RE(A,G)036-E	CNRH*4221A**	315(A,J)AV036070	33800	11.70	13.50	3
3042021	113RE(A,G)036-E	CNRH*4221A**	315(A,J)AV048090	34000	12.00	14.00	3
3042022	113RE(A,G)036-E	CNRH*4221A**	315(A,J)AV060110	34000	12.00	14.00	3
3042023	113RE(A,G)036-E	CNRH*4221A**	315(A,J)AV066135	34000	12.00	14.00	3
3042024	113RE(A,G)036-E	CNRH*4221A**	315(A,J)AV066155	34000	12.00	14.00	3
3124901	113RE(A,G)036-E	CNRH*4221A**	353AAV036040	34400	12.00	14.00	3
3124902	113RE(A,G)036-E	CNRH*4221A**	353AAV036060	34400	12.00	14.00	3
3124903	113RE(A,G)036-E	CNRH*4221A**	353AAV036080	34400	12.00	14.00	3
3124904	113RE(A,G)036-E	CNRH*4221A**	353AAV048080	34400	12.00	14.00	3
3124905	113RE(A,G)036-E	CNRH*4221A**	353AAV060100	34400	12.00	14.00	3
3042014	113RE(A,G)036-E	CNRH*4221A**	355(A,C)AV042040	33800	11.70	13.50	3
3042015	113RE(A,G)036-E	CNRH*4221A**	355(A,C)AV042060	34000	12.00	14.00	3
3042016	113RE(A,G)036-E	CNRH*4221A**	355(A,C)AV042080	33800	11.70	13.50	3
3042017	113RE(A,G)036-E	CNRH*4221A**	355(A,C)AV060080	33800	12.00	14.00	3
3042018	113RE(A,G)036-E	CNRH*4221A**	355(A,C)AV060100	34000	12.00	14.00	3
3042019	113RE(A,G)036-E	CNRH*4221A**	355(A,C)AV060120	34000	12.00	14.00	3
3042013	113RE(A,G)036-E	CNRH*4221A**+TDR		34200	11.20	13.00	3
3041948	113RE(A,G)036-E	CNRV*3617A**	313*AV048070	34400	11.70	13.50	3
3041990	113RE(A,G)036-E	CNRV*3617A**	315(A,J)AV048090	33600	11.70	13.50	3
3124890	113RE(A,G)036-E	CNRV*3617A**	353AAV036040	34400	12.00	14.00	3
3124891	113RE(A,G)036-E	CNRV*3617A**	353AAV036060	34400	12.00	14.00	3
3124892	113RE(A,G)036-E	CNRV*3617A**	353AAV036080	34400	12.00	14.00	3
3124893	113RE(A,G)036-E	CNRV*3617A**	353AAV048080	34400	12.00	14.00	3
3041989	113RE(A,G)036-E	CNRV*3617A**	355(A,C)AV042060	33600	11.70	13.50	3
3041988	113RE(A,G)036-E	CNRV*3617A**+TDR		33800	11.20	13.00	3
3041949	113RE(A,G)036-E	CNRV*3621A**	313*AV048090	34600	12.00	14.00	3
3041950	113RE(A,G)036-E	CNRV*3621A**	313*AV060110	34800	12.00	14.00	3
3041995	113RE(A,G)036-E	CNRV*3621A**	315(A,J)AV060110	33600	11.70	13.50	3
3124894	113RE(A,G)036-E	CNRV*3621A**	353AAV060100	34400	12.00	14.00	3
3041992	113RE(A,G)036-E	CNRV*3621A**	355(A,C)AV042080	33600	11.70	13.50	3
3041993	113RE(A,G)036-E	CNRV*3621A**	355(A,C)AV060080	33600	11.70	13.50	3
3041994	113RE(A,G)036-E	CNRV*3621A**	355(A,C)AV060100	33600	11.70	13.50	3
3041991	113RE(A,G)036-E	CNRV*3621A**+TDR		33800	11.20	13.00	3
3041951	113RE(A,G)036-E	CNRV*4221A**	313*AV048090	35200	12.00	14.00	3
3041952	113RE(A,G)036-E	CNRV*4221A**	313*AV060110	35400	12.00	14.00	3
3042000	113RE(A,G)036-E	CNRV*4221A**	315(A,J)AV060110	34000	12.00	14.00	3
3124895	113RE(A,G)036-E	CNRV*4221A**	353AAV060100	34400	12.00	14.00	3
3041997	113RE(A,G)036-E	CNRV*4221A**	355(A,C)AV042080	33800	11.70	13.50	3
3041998	113RE(A,G)036-E	CNRV*4221A**	355(A,C)AV060080	33800	12.00	14.00	3
3041999	113RE(A,G)036-E	CNRV*4221A**	355(A,C)AV060100	34000	12.00	14.00	3
3041996	113RE(A,G)036-E	CNRV*4221A**+TDR		34200	11.20	13.00	3
3041961	113RE(A,G)036-E	CSRH*3612A**	313*AV024045	34400	11.20	13.20	3
3041962	113RE(A,G)036-E	CSRH*3612A**	313*AV048070	34400	11.70	13.50	3
3041963	113RE(A,G)036-E	CSRH*3612A**	313*AV048090	34600	12.00	14.00	3
3041964	113RE(A,G)036-E	CSRH*3612A**	313*AV060110	34800	12.00	14.00	3
3042033	113RE(A,G)036-E	CSRH*3612A**	315(A,J)AV036070	33600	12.00	14.00	3
3042034	113RE(A,G)036-E	CSRH*3612A**	315(A,J)AV048090	33600	12.00	14.00	3
3042035	113RE(A,G)036-E	CSRH*3612A**	315(A,J)AV060110	33600	12.00	14.00	3
3042036	113RE(A,G)036-E	CSRH*3612A**	315(A,J)AV066135	33600	12.00	14.00	3
3042037	113RE(A,G)036-E	CSRH*3612A**	315(A,J)AV066155	33600	12.00	14.00	3
3124906	113RE(A,G)036-E	CSRH*3612A**	353AAV036040	34400	12.00	14.00	3
3124907	113RE(A,G)036-E	CSRH*3612A**	353AAV036060	34400	12.00	14.00	3
3124908	113RE(A,G)036-E	CSRH*3612A**	353AAV036080	34400	12.00	14.00	3
3124909	113RE(A,G)036-E	CSRH*3612A**	353AAV048080	34400	12.00	14.00	3
3124910	113RE(A,G)036-E	CSRH*3612A**	353AAV060100	34400	12.00	14.00	3
3042027	113RE(A,G)036-E	CSRH*3612A**	355(A,C)AV042040	33600	12.00	14.00	3
3042028	113RE(A,G)036-E	CSRH*3612A**	355(A,C)AV042060	33600	12.00	14.00	3
3042029	113RE(A,G)036-E	CSRH*3612A**	355(A,C)AV042080	33600	12.00	14.00	3
3042030	113RE(A,G)036-E	CSRH*3612A**	355(A,C)AV060080	33800	12.00	14.00	3
3042031	113RE(A,G)036-E	CSRH*3612A**	355(A,C)AV060100	33600	12.00	14.00	3
3042032	113RE(A,G)036-E	CSRH*3612A**	355(A,C)AV060120	33600	12.00	14.00	3
3042026	113RE(A,G)036-E	CSRH*3612A**+TDR		33800	11.20	13.00	3
3041965	113RE(A,G)036-E	CSRH*4212A**	313*AV024045	34800	11.50	13.20	3
3041966	113RE(A,G)036-E	CSRH*4212A**	313*AV048070	35000	11.70	13.50	3
3041967	113RE(A,G)036-E	CSRH*4212A**	313*AV048090	35200	12.00	14.00	3
3041968	113RE(A,G)036-E	CSRH*4212A**	313*AV060110	35400	12.00	14.00	3
3042045	113RE(A,G)036-E	CSRH*4212A**	315(A,J)AV036070	33800	12.00	14.00	3
3042046	113RE(A,G)036-E	CSRH*4212A**	315(A,J)AV048090	34000	12.00	14.00	3
3042047	113RE(A,G)036-E	CSRH*4212A**	315(A,J)AV060110	34000	12.00	14.00	3
3042048	113RE(A,G)036-E	CSRH*4212A**	315(A,J)AV066135	34000	12.00	14.00	3
3042049	113RE(A,G)036-E	CSRH*4212A**	315(A,J)AV066155	34000	12.00	14.00	3
3124911	113RE(A,G)036-E	CSRH*4212A**	353AAV036040	34400	12.00	14.00	3
3124912	113RE(A,G)036-E	CSRH*4212A**	353AAV036060	34400	12.00	14.00	3

See notes on pg. 43

113R

COMBINATION RATINGS CONTINUED

ARI Ref. No.	Model Number	Indoor Model	Furnace Model	Capacity	EER	SEER	Phase
3124913	113RE(A,G)036-E	CSRH*4212A**	353AAV036080	34400	12.00	14.00	3
3124914	113RE(A,G)036-E	CSRH*4212A**	353AAV048080	34400	12.00	14.00	3
3124915	113RE(A,G)036-E	CSRH*4212A**	353AAV060100	34400	12.00	14.00	3
3042039	113RE(A,G)036-E	CSRH*4212A**	355(A,C)AV042040	33800	12.00	14.00	3
3042040	113RE(A,G)036-E	CSRH*4212A**	355(A,C)AV042060	33800	12.00	14.00	3
3042041	113RE(A,G)036-E	CSRH*4212A**	355(A,C)AV042080	33800	12.00	14.00	3
3042042	113RE(A,G)036-E	CSRH*4212A**	355(A,C)AV060080	33800	12.00	14.00	3
3042043	113RE(A,G)036-E	CSRH*4212A**	355(A,C)AV060100	34000	12.00	14.00	3
3042044	113RE(A,G)036-E	CSRH*4212A**	355(A,C)AV060120	34000	12.00	14.00	3
3042038	113RE(A,G)036-E	CSRH*4212A** + TDR		34200	11.20	13.00	3
3042050	113RE(A,G)036-E	FA4CN(F,C)036		33800	11.00	13.00	3
3042051	113RE(A,G)036-E	FA4CN(F,C)042		34600	11.20	13.00	3
3042052	113RE(A,G)036-E	FC4DN(F,B)036		34600	11.70	13.50	3
3042053	113RE(A,G)036-E	FC4DN(F,B)042		35400	11.70	13.50	3
3042054	113RE(A,G)036-E	FF1ENE036		34400	11.20	13.00	3
3042057	113RE(A,G)036-E	FK4DN(B,F)003		34400	12.00	14.00	3
3042058	113RE(A,G)036-E	FK4DN(B,F)005		35800	12.00	14.00	3
3042059	113RE(A,G)036-E	FK4DNB006		36200	12.00	14.00	3
3042055	113RE(A,G)036-E	FK4DNF001		33800	11.70	13.50	3
3042056	113RE(A,G)036-E	FK4DNF002		34200	11.70	13.50	3
3042060	113RE(A,G)042-C	CAR**4221A**	313*AV048090	40000	11.70	13.50	3
3042061	113RE(A,G)042-C	CAR**4221A**	313*AV060110	40000	11.70	14.00	3
3042091	113RE(A,G)042-C	CAR**4221A**	315(A,J)AV060110	40500	11.20	13.50	3
3124916	113RE(A,G)042-C	CAR**4221A**	353AAV060100	40000	11.70	13.50	3
3042088	113RE(A,G)042-C	CAR**4221A**	355(A,C)AV042080	40000	11.20	13.50	3
3042089	113RE(A,G)042-C	CAR**4221A**	355(A,C)AV060080	40000	11.20	13.50	3
3042090	113RE(A,G)042-C	CAR**4221A**	355(A,C)AV060100	40000	11.20	13.50	3
3042062	113RE(A,G)042-C	CAR**4224A**	313*AV060135	40000	11.70	14.00	3
3042095	113RE(A,G)042-C	CAR**4224A**	315(A,J)AV066135	40500	11.50	14.00	3
3042096	113RE(A,G)042-C	CAR**4224A**	315(A,J)AV066155	40500	11.50	14.00	3
3124917	113RE(A,G)042-C	CAR**4224A**	353AAV060120	40500	12.00	14.00	3
3042093	113RE(A,G)042-C	CAR**4224A**	355(A,C)AV042040	40000	11.20	13.50	3
3042094	113RE(A,G)042-C	CAR**4224A**	355(A,C)AV060120	40000	11.20	13.50	3
3042092	113RE(A,G)042-C	CAR**4224A** + TDR		40500	11.00	13.00	3
3042063	113RE(A,G)042-C	CAR**4817A**	313*AV048070	39500	11.50	13.20	3
3042099	113RE(A,G)042-C	CAR**4817A**	315(A,J)AV048090	40000	11.50	14.00	3
3124918	113RE(A,G)042-C	CAR**4817A**	353AAV036040	40500	11.70	13.50	3
3124919	113RE(A,G)042-C	CAR**4817A**	353AAV036060	40500	11.70	13.50	3
3124920	113RE(A,G)042-C	CAR**4817A**	353AAV036080	40500	11.70	13.50	3
3124921	113RE(A,G)042-C	CAR**4817A**	353AAV048080	40500	11.70	13.50	3
3042098	113RE(A,G)042-C	CAR**4817A**	355(A,C)AV042060	40000	11.20	13.50	3
3042097	113RE(A,G)042-C	CAR**4817A** + TDR		40500	11.00	13.00	3
3042064	113RE(A,G)042-C	CAR**4821A**	313*AV048090	40500	12.00	14.00	3
3042065	113RE(A,G)042-C	CAR**4821A**	313*AV060110	40500	12.00	14.00	3
3042104	113RE(A,G)042-C	CAR**4821A**	315(A,J)AV060110	41000	11.50	14.00	3
3124922	113RE(A,G)042-C	CAR**4821A**	353AAV060100	40500	12.00	14.00	3
3042101	113RE(A,G)042-C	CAR**4821A**	355(A,C)AV042080	40500	11.20	13.50	3
3042102	113RE(A,G)042-C	CAR**4821A**	355(A,C)AV060080	41000	11.20	13.50	3
3042103	113RE(A,G)042-C	CAR**4821A**	355(A,C)AV060100	41000	11.50	14.00	3
3042100	113RE(A,G)042-C	CAR**4821A** + TDR		41500	11.00	13.00	3
3042066	113RE(A,G)042-C	CAR**4824A**	313*AV060135	40500	12.00	14.00	3
3042108	113RE(A,G)042-C	CAR**4824A**	315(A,J)AV066135	41000	11.50	14.00	3
3042109	113RE(A,G)042-C	CAR**4824A**	315(A,J)AV066155	41000	11.50	14.00	3
3124923	113RE(A,G)042-C	CAR**4824A**	353AAV060120	40500	12.00	14.00	3
3042106	113RE(A,G)042-C	CAR**4824A**	355(A,C)AV042040	40500	11.20	13.50	3
3042107	113RE(A,G)042-C	CAR**4824A**	355(A,C)AV060120	41000	11.50	14.00	3
3042105	113RE(A,G)042-C	CAR**4824A** + TDR		41500	11.00	13.00	3
3042149	113RE(A,G)042-C	CNRH*4818A** + TDR		40500	11.00	13.00	3
3042072	113RE(A,G)042-C	CNRH*4221A**	313*AV048070	39500	11.20	13.00	3
3042073	113RE(A,G)042-C	CNRH*4221A**	313*AV048090	40000	11.70	13.75	3
3042074	113RE(A,G)042-C	CNRH*4221A**	313*AV060110	40000	11.70	14.00	3
3042075	113RE(A,G)042-C	CNRH*4221A**	313*AV060135	40000	11.70	14.00	3
3042132	113RE(A,G)042-C	CNRH*4221A**	315(A,J)AV036070	40000	11.20	13.50	3
3042133	113RE(A,G)042-C	CNRH*4221A**	315(A,J)AV048090	40000	11.50	14.00	3
3042134	113RE(A,G)042-C	CNRH*4221A**	315(A,J)AV060110	40000	11.50	14.00	3
3042135	113RE(A,G)042-C	CNRH*4221A**	315(A,J)AV066135	40000	11.50	14.00	3
3042136	113RE(A,G)042-C	CNRH*4221A**	315(A,J)AV066155	40000	11.50	14.00	3
3124927	113RE(A,G)042-C	CNRH*4221A**	353AAV036040	40500	11.70	13.50	3
3124928	113RE(A,G)042-C	CNRH*4221A**	353AAV036060	40000	11.70	13.50	3
3124929	113RE(A,G)042-C	CNRH*4221A**	353AAV036080	40000	11.70	13.50	3
3124930	113RE(A,G)042-C	CNRH*4221A**	353AAV048080	40000	11.70	13.50	3
3124931	113RE(A,G)042-C	CNRH*4221A**	353AAV060100	40000	11.70	13.50	3
3124932	113RE(A,G)042-C	CNRH*4221A**	353AAV060120	40500	11.70	13.50	3
3042126	113RE(A,G)042-C	CNRH*4221A**	355(A,C)AV042040	40000	11.20	13.50	3
3042127	113RE(A,G)042-C	CNRH*4221A**	355(A,C)AV042060	40000	11.20	13.50	3
3042128	113RE(A,G)042-C	CNRH*4221A**	355(A,C)AV042080	40000	11.20	13.50	3
3042129	113RE(A,G)042-C	CNRH*4221A**	355(A,C)AV060080	40000	11.20	13.50	3
3042130	113RE(A,G)042-C	CNRH*4221A**	355(A,C)AV060100	40000	11.50	14.00	3

See notes on pg. 43

COMBINATION RATINGS CONTINUED

ARI Ref. No.	Model Number	Indoor Model	Furnace Model	Capacity	EER	SEER	Phase
3042131	113RE(A,G)042-C	CNRH*4221A**	355(A,C)AV060120	40000	11.50	14.00	3
3042125	113RE(A,G)042-C	CNRH*4221A**+TDR		40500	11.00	13.00	3
3042076	113RE(A,G)042-C	CNRH*4821A**	313*AV048070	40500	11.50	13.20	3
3042077	113RE(A,G)042-C	CNRH*4821A**	313*AV048090	40500	12.00	14.00	3
3042078	113RE(A,G)042-C	CNRH*4821A**	313*AV060110	40500	12.00	14.00	3
3042079	113RE(A,G)042-C	CNRH*4821A**	313*AV060135	40500	12.00	14.00	3
3042144	113RE(A,G)042-C	CNRH*4821A**	315(A,J)AV036070	41000	11.20	13.50	3
3042145	113RE(A,G)042-C	CNRH*4821A**	315(A,J)AV048090	41000	11.50	14.00	3
3042146	113RE(A,G)042-C	CNRH*4821A**	315(A,J)AV060110	41000	11.50	14.00	3
3042147	113RE(A,G)042-C	CNRH*4821A**	315(A,J)AV066135	41000	11.50	14.00	3
3042148	113RE(A,G)042-C	CNRH*4821A**	315(A,J)AV066155	41000	11.50	14.00	3
3124933	113RE(A,G)042-C	CNRH*4821A**	353AAV036040	40500	11.70	13.50	3
3124934	113RE(A,G)042-C	CNRH*4821A**	353AAV036060	40500	11.70	13.50	3
3124935	113RE(A,G)042-C	CNRH*4821A**	353AAV036080	40500	11.70	13.50	3
3124936	113RE(A,G)042-C	CNRH*4821A**	353AAV048080	40500	11.70	13.50	3
3124937	113RE(A,G)042-C	CNRH*4821A**	353AAV060100	40500	12.00	14.00	3
3124938	113RE(A,G)042-C	CNRH*4821A**	353AAV060120	40500	12.00	14.00	3
3042138	113RE(A,G)042-C	CNRH*4821A**	355(A,C)AV042040	41000	11.20	13.50	3
3042139	113RE(A,G)042-C	CNRH*4821A**	355(A,C)AV042060	41000	11.20	13.50	3
3042140	113RE(A,G)042-C	CNRH*4821A**	355(A,C)AV042080	41000	11.20	13.50	3
3042141	113RE(A,G)042-C	CNRH*4821A**	355(A,C)AV060080	41000	11.20	13.50	3
3042142	113RE(A,G)042-C	CNRH*4821A**	355(A,C)AV060100	41000	11.50	14.00	3
3042143	113RE(A,G)042-C	CNRH*4821A**	355(A,C)AV060120	41000	11.50	14.00	3
3042137	113RE(A,G)042-C	CNRH*4821A**+TDR		41500	11.00	13.00	3
3042067	113RE(A,G)042-C	CNRV*4221A**	313*AV048090	40000	11.70	13.50	3
3042068	113RE(A,G)042-C	CNRV*4221A**	313*AV060110	40000	11.70	13.50	3
3042114	113RE(A,G)042-C	CNRV*4221A**	315(A,J)AV060110	40000	11.50	14.00	3
3124924	113RE(A,G)042-C	CNRV*4221A**	353AAV060100	40000	11.70	13.50	3
3042111	113RE(A,G)042-C	CNRV*4221A**	355(A,C)AV042080	40000	11.20	13.50	3
3042112	113RE(A,G)042-C	CNRV*4221A**	355(A,C)AV060080	40000	11.20	13.50	3
3042113	113RE(A,G)042-C	CNRV*4221A**	355(A,C)AV060100	40000	11.50	14.00	3
3042110	113RE(A,G)042-C	CNRV*4221A**+TDR		40500	11.00	13.00	3
3042069	113RE(A,G)042-C	CNRV*4821A**	313*AV048090	40500	12.00	14.00	3
3042070	113RE(A,G)042-C	CNRV*4821A**	313*AV060110	40500	12.00	14.00	3
3042119	113RE(A,G)042-C	CNRV*4821A**	315(A,J)AV060110	41000	11.50	14.00	3
3124925	113RE(A,G)042-C	CNRV*4821A**	353AAV060100	40500	12.00	14.00	3
3042116	113RE(A,G)042-C	CNRV*4821A**	355(A,C)AV042080	41000	11.20	13.50	3
3042117	113RE(A,G)042-C	CNRV*4821A**	355(A,C)AV060080	41000	11.20	13.50	3
3042118	113RE(A,G)042-C	CNRV*4821A**	355(A,C)AV060100	41000	11.50	14.00	3
3042115	113RE(A,G)042-C	CNRV*4821A**+TDR		41500	11.00	13.00	3
3042071	113RE(A,G)042-C	CNRV*4824A**	313*AV060135	40500	12.00	14.00	3
3042123	113RE(A,G)042-C	CNRV*4824A**	315(A,J)AV066135	41000	11.50	14.00	3
3042124	113RE(A,G)042-C	CNRV*4824A**	315(A,J)AV066155	41000	11.50	14.00	3
3124926	113RE(A,G)042-C	CNRV*4824A**	353AAV060120	40500	12.00	14.00	3
3042121	113RE(A,G)042-C	CNRV*4824A**	355(A,C)AV042040	41000	11.20	13.50	3
3042122	113RE(A,G)042-C	CNRV*4824A**	355(A,C)AV060120	41000	11.50	14.00	3
3042120	113RE(A,G)042-C	CNRV*4824A**+TDR		41500	11.00	13.00	3
3042080	113RE(A,G)042-C	CSRH*4212A**	313*AV048070	40000	11.50	13.20	3
3042081	113RE(A,G)042-C	CSRH*4212A**	313*AV048090	40000	11.70	13.75	3
3042082	113RE(A,G)042-C	CSRH*4212A**	313*AV060110	40000	11.70	14.00	3
3042083	113RE(A,G)042-C	CSRH*4212A**	313*AV060135	40000	11.70	14.00	3
3042157	113RE(A,G)042-C	CSRH*4212A**	315(A,J)AV036070	40000	11.20	13.50	3
3042158	113RE(A,G)042-C	CSRH*4212A**	315(A,J)AV048090	40000	11.50	14.00	3
3042159	113RE(A,G)042-C	CSRH*4212A**	315(A,J)AV060110	40000	11.50	14.00	3
3042160	113RE(A,G)042-C	CSRH*4212A**	315(A,J)AV066135	40000	11.50	14.00	3
3042161	113RE(A,G)042-C	CSRH*4212A**	315(A,J)AV066155	40000	11.50	14.00	3
3124939	113RE(A,G)042-C	CSRH*4212A**	353AAV036040	40500	11.70	13.50	3
3124940	113RE(A,G)042-C	CSRH*4212A**	353AAV036060	40500	11.70	13.50	3
3124941	113RE(A,G)042-C	CSRH*4212A**	353AAV036080	40500	11.70	13.50	3
3124942	113RE(A,G)042-C	CSRH*4212A**	353AAV048080	40500	11.70	13.50	3
3124943	113RE(A,G)042-C	CSRH*4212A**	353AAV060100	40500	12.00	14.00	3
3124944	113RE(A,G)042-C	CSRH*4212A**	353AAV060120	40500	12.00	14.00	3
3042151	113RE(A,G)042-C	CSRH*4212A**	355(A,C)AV042040	40000	11.20	13.50	3
3042152	113RE(A,G)042-C	CSRH*4212A**	355(A,C)AV042060	40000	11.20	13.50	3
3042153	113RE(A,G)042-C	CSRH*4212A**	355(A,C)AV042080	40000	11.20	13.50	3
3042154	113RE(A,G)042-C	CSRH*4212A**	355(A,C)AV060080	40000	11.20	13.50	3
3042155	113RE(A,G)042-C	CSRH*4212A**	355(A,C)AV060100	40000	11.50	14.00	3
3042156	113RE(A,G)042-C	CSRH*4212A**	355(A,C)AV060120	40000	11.50	14.00	3
3042150	113RE(A,G)042-C	CSRH*4212A**+TDR		40500	11.00	13.00	3
3042084	113RE(A,G)042-C	CSRH*4812A**	313*AV048070	40500	11.50	13.20	3
3042085	113RE(A,G)042-C	CSRH*4812A**	313*AV048090	40500	12.00	14.00	3
3042086	113RE(A,G)042-C	CSRH*4812A**	313*AV060110	40500	12.00	14.00	3
3042087	113RE(A,G)042-C	CSRH*4812A**	313*AV060135	40500	12.00	14.00	3
3042169	113RE(A,G)042-C	CSRH*4812A**	315(A,J)AV036070	40500	11.20	13.50	3
3042170	113RE(A,G)042-C	CSRH*4812A**	315(A,J)AV048090	40500	11.50	14.00	3
3042171	113RE(A,G)042-C	CSRH*4812A**	315(A,J)AV060110	40500	11.50	14.00	3
3042172	113RE(A,G)042-C	CSRH*4812A**	315(A,J)AV066135	40500	11.50	14.00	3
3042173	113RE(A,G)042-C	CSRH*4812A**	315(A,J)AV066155	40500	11.50	14.00	3
3124945	113RE(A,G)042-C	CSRH*4812A**	353AAV036040	40500	11.70	13.50	3

See notes on pg. 43

COMBINATION RATINGS CONTINUED

ARI Ref. No.	Model Number	Indoor Model	Furnace Model	Capacity	EER	SEER	Phase
3124946	113RE(A,G)042-C	CSRH*4812A**	353AAV036060	40500	11.70	13.50	3
3124947	113RE(A,G)042-C	CSRH*4812A**	353AAV036080	40500	11.70	13.50	3
3124948	113RE(A,G)042-C	CSRH*4812A**	353AAV048080	40500	11.70	13.50	3
3124949	113RE(A,G)042-C	CSRH*4812A**	353AAV060100	40500	12.00	14.00	3
3124950	113RE(A,G)042-C	CSRH*4812A**	353AAV060120	40500	12.00	14.00	3
3042163	113RE(A,G)042-C	CSRH*4812A**	355(A,C)AV042040	40500	11.20	13.50	3
3042164	113RE(A,G)042-C	CSRH*4812A**	355(A,C)AV042060	40500	11.20	13.50	3
3042165	113RE(A,G)042-C	CSRH*4812A**	355(A,C)AV042080	40500	11.20	13.50	3
3042166	113RE(A,G)042-C	CSRH*4812A**	355(A,C)AV060080	40500	11.20	13.50	3
3042167	113RE(A,G)042-C	CSRH*4812A**	355(A,C)AV060100	40500	11.50	14.00	3
3042168	113RE(A,G)042-C	CSRH*4812A**	355(A,C)AV060120	40500	11.50	14.00	3
3042162	113RE(A,G)042-C	CSRH*4812A**+TDR		41000	11.00	13.00	3
3042174	113RE(A,G)042-C	FA4CN(F,C)042		41000	11.00	13.00	3
3042175	113RE(A,G)042-C	FA4CN(F,C)048		41500	11.00	13.00	3
3042176	113RE(A,G)042-C	FC4DN(F,B)042		41500	11.20	13.50	3
3042177	113RE(A,G)042-C	FC4DN(F,B)048		42500	11.50	14.00	3
3042178	113RE(A,G)042-C	FK4DN(B,F)003		40000	11.50	14.00	3
3042179	113RE(A,G)042-C	FK4DN(B,F)005		42000	11.50	14.00	3
3042180	113RE(A,G)042-C	FK4DNB006		42500	11.50	14.00	3
3042271	113RE(A,G)048-D	†CAR**4821A**+TDR		46000	11.00	13.00	3
3042295	113RE(A,G)048-D	CAR**4817A**	315(A,J)AV048090	44500	11.00	13.20	3
3042294	113RE(A,G)048-D	CAR**4817A**+TDR		45000	11.00	13.00	3
3042272	113RE(A,G)048-D	CAR**4821A**	313*AV048090	45500	11.50	13.25	3
3042273	113RE(A,G)048-D	CAR**4821A**	313*AV060110	45500	11.70	13.50	3
3042298	113RE(A,G)048-D	CAR**4821A**	315(A,J)AV060110	45500	11.00	13.20	3
3124951	113RE(A,G)048-D	CAR**4821A**	353AAV060100	45500	11.70	13.50	3
3042296	113RE(A,G)048-D	CAR**4821A**	355(A,C)AV060080	45000	11.00	13.20	3
3042297	113RE(A,G)048-D	CAR**4821A**	355(A,C)AV060100	45500	11.80	13.20	3
3042274	113RE(A,G)048-D	CAR**4824A**	313*AV060135	45500	11.70	13.50	3
3042301	113RE(A,G)048-D	CAR**4824A**	315(A,J)AV066135	45500	11.20	13.50	3
3042302	113RE(A,G)048-D	CAR**4824A**	315(A,J)AV066155	45500	11.50	14.00	3
3124952	113RE(A,G)048-D	CAR**4824A**	353AAV060120	46000	11.70	13.50	3
3042300	113RE(A,G)048-D	CAR**4824A**	355(A,C)AV060120	45000	11.00	13.20	3
3042299	113RE(A,G)048-D	CAR**4824A**+TDR		46500	11.00	13.00	3
3042275	113RE(A,G)048-D	CAR**6021A**	313*AV048090	46500	11.70	13.75	3
3042276	113RE(A,G)048-D	CAR**6021A**	313*AV060110	46500	12.00	14.00	3
3042306	113RE(A,G)048-D	CAR**6021A**	315(A,J)AV060110	46500	11.20	13.50	3
3124953	113RE(A,G)048-D	CAR**6021A**	353AAV060100	47000	12.00	14.00	3
3042304	113RE(A,G)048-D	CAR**6021A**	355(A,C)AV060080	46500	11.20	13.50	3
3042305	113RE(A,G)048-D	CAR**6021A**	355(A,C)AV060100	46500	11.20	13.50	3
3042303	113RE(A,G)048-D	CAR**6021A**+TDR		47500	11.00	13.00	3
3042277	113RE(A,G)048-D	CAR**6024A**	313*AV060135	47000	11.70	13.75	3
3042309	113RE(A,G)048-D	CAR**6024A**	315(A,J)AV066135	46500	11.20	13.50	3
3042310	113RE(A,G)048-D	CAR**6024A**	315(A,J)AV066155	47000	11.50	14.00	3
3124954	113RE(A,G)048-D	CAR**6024A**	353AAV060120	47000	12.00	14.00	3
3042308	113RE(A,G)048-D	CAR**6024A**	355(A,C)AV060120	46500	11.20	13.50	3
3042307	113RE(A,G)048-D	CAR**6024A**+TDR		47500	11.00	13.00	3
3042339	113RE(A,G)048-D	CNRH*4818A**+TDR		45000	11.00	13.00	3
3042282	113RE(A,G)048-D	CNRH*4821A**	313*AV048090	45500	11.50	13.20	3
3042283	113RE(A,G)048-D	CNRH*4821A**	313*AV060110	45500	11.70	13.50	3
3042284	113RE(A,G)048-D	CNRH*4821A**	313*AV060135	45500	11.70	13.50	3
3042327	113RE(A,G)048-D	CNRH*4821A**	315(A,J)AV048090	45000	11.20	13.50	3
3042328	113RE(A,G)048-D	CNRH*4821A**	315(A,J)AV060110	45000	11.20	13.50	3
3042329	113RE(A,G)048-D	CNRH*4821A**	315(A,J)AV066135	45000	11.20	13.50	3
3042330	113RE(A,G)048-D	CNRH*4821A**	315(A,J)AV066155	45500	11.20	13.50	3
3124958	113RE(A,G)048-D	CNRH*4821A**	353AAV060100	46000	11.70	13.50	3
3124959	113RE(A,G)048-D	CNRH*4821A**	353AAV060120	46000	11.70	13.50	3
3042324	113RE(A,G)048-D	CNRH*4821A**	355(A,C)AV060080	45000	11.00	13.20	3
3042325	113RE(A,G)048-D	CNRH*4821A**	355(A,C)AV060100	45000	11.00	13.20	3
3042326	113RE(A,G)048-D	CNRH*4821A**	355(A,C)AV060120	45000	11.00	13.20	3
3042323	113RE(A,G)048-D	CNRH*4821A**+TDR		46000	11.00	13.00	3
3042285	113RE(A,G)048-D	CNRH*6024A**	313*AV048090	47000	11.70	13.75	3
3042286	113RE(A,G)048-D	CNRH*6024A**	313*AV060110	47000	12.00	14.00	3
3042287	113RE(A,G)048-D	CNRH*6024A**	313*AV060135	47000	11.70	13.75	3
3042335	113RE(A,G)048-D	CNRH*6024A**	315(A,J)AV048090	46500	11.20	13.50	3
3042336	113RE(A,G)048-D	CNRH*6024A**	315(A,J)AV060110	46500	11.20	13.50	3
3042337	113RE(A,G)048-D	CNRH*6024A**	315(A,J)AV066135	46500	11.20	13.50	3
3042338	113RE(A,G)048-D	CNRH*6024A**	315(A,J)AV066155	47000	11.50	14.00	3
3124960	113RE(A,G)048-D	CNRH*6024A**	353AAV048080	46500	11.70	13.50	3
3124961	113RE(A,G)048-D	CNRH*6024A**	353AAV060100	46500	11.70	13.50	3
3124962	113RE(A,G)048-D	CNRH*6024A**	353AAV060120	46500	12.00	14.00	3
3042332	113RE(A,G)048-D	CNRH*6024A**	355(A,C)AV060080	46500	11.20	13.50	3
3042333	113RE(A,G)048-D	CNRH*6024A**	355(A,C)AV060100	46500	11.20	13.50	3
3042334	113RE(A,G)048-D	CNRH*6024A**	355(A,C)AV060120	46500	11.20	13.50	3
3042331	113RE(A,G)048-D	CNRH*6024A**+TDR		47500	11.00	13.00	3
3042278	113RE(A,G)048-D	CNRV*4821A**	313*AV048090	45500	11.50	13.20	3
3042279	113RE(A,G)048-D	CNRV*4821A**	313*AV060110	45500	11.70	13.50	3
3042314	113RE(A,G)048-D	CNRV*4821A**	315(A,J)AV060110	45000	11.20	13.50	3

See notes on pg. 43

COMBINATION RATINGS CONTINUED

ARI Ref. No.	Model Number	Indoor Model	Furnace Model	Capacity	EER	SEER	Phase
3124955	113RE(A,G)048-D	CNRV*4821A**	353AAV060100	46000	11.70	13.50	3
3042312	113RE(A,G)048-D	CNRV*4821A**	355(A,C)AV060080	45000	11.00	13.20	3
3042313	113RE(A,G)048-D	CNRV*4821A**	355(A,C)AV060100	45000	11.00	13.20	3
3042311	113RE(A,G)048-D	CNRV*4821A**+TDR		46000	11.00	13.00	3
3042280	113RE(A,G)048-D	CNRV*4824A**	313*AV060135	45500	11.70	13.50	3
3042317	113RE(A,G)048-D	CNRV*4824A**	315(A,J)AV066135	45500	11.20	13.50	3
3042318	113RE(A,G)048-D	CNRV*4824A**	315(A,J)AV066155	46000	11.20	13.50	3
3124956	113RE(A,G)048-D	CNRV*4824A**	353AAV060120	46000	11.70	13.50	3
3042316	113RE(A,G)048-D	CNRV*4824A**	355(A,C)AV060120	45500	11.00	13.20	3
3042315	113RE(A,G)048-D	CNRV*4824A**+TDR		46500	11.00	13.00	3
3042281	113RE(A,G)048-D	CNRV*6024A**	313*AV060135	47000	11.70	13.75	3
3042321	113RE(A,G)048-D	CNRV*6024A**	315(A,J)AV066135	46500	11.20	13.50	3
3042322	113RE(A,G)048-D	CNRV*6024A**	315(A,J)AV066155	47000	11.50	14.00	3
3124957	113RE(A,G)048-D	CNRV*6024A**	353AAV060120	47000	12.00	14.00	3
3042320	113RE(A,G)048-D	CNRV*6024A**	355(A,C)AV060120	46500	11.20	13.50	3
3042319	113RE(A,G)048-D	CNRV*6024A**+TDR		47500	11.00	13.00	3
3042288	113RE(A,G)048-D	CSRH*4812A**	313*AV048090	45500	11.50	13.20	3
3042289	113RE(A,G)048-D	CSRH*4812A**	313*AV060110	45500	11.70	13.50	3
3042290	113RE(A,G)048-D	CSRH*4812A**	313*AV060135	45500	11.70	13.50	3
3042344	113RE(A,G)048-D	CSRH*4812A**	315(A,J)AV048090	45000	11.20	13.50	3
3042345	113RE(A,G)048-D	CSRH*4812A**	315(A,J)AV060110	45000	11.20	13.50	3
3042346	113RE(A,G)048-D	CSRH*4812A**	315(A,J)AV066135	45000	11.20	13.50	3
3042347	113RE(A,G)048-D	CSRH*4812A**	315(A,J)AV066155	45000	11.20	13.50	3
3124963	113RE(A,G)048-D	CSRH*4812A**	353AAV060100	46000	11.70	13.50	3
3124964	113RE(A,G)048-D	CSRH*4812A**	353AAV060120	46500	11.70	13.50	3
3042341	113RE(A,G)048-D	CSRH*4812A**	355(A,C)AV060080	45000	11.00	13.20	3
3042342	113RE(A,G)048-D	CSRH*4812A**	355(A,C)AV060100	45000	11.00	13.20	3
3042343	113RE(A,G)048-D	CSRH*4812A**	355(A,C)AV060120	45000	11.00	13.20	3
3042340	113RE(A,G)048-D	CSRH*4812A**+TDR		46000	11.00	13.00	3
3042291	113RE(A,G)048-D	CSRH*6012A**	313*AV048090	47000	11.70	13.75	3
3042292	113RE(A,G)048-D	CSRH*6012A**	313*AV060110	47000	12.00	14.00	3
3042293	113RE(A,G)048-D	CSRH*6012A**	313*AV060135	47000	11.70	13.75	3
3042352	113RE(A,G)048-D	CSRH*6012A**	315(A,J)AV048090	46500	11.20	13.50	3
3042353	113RE(A,G)048-D	CSRH*6012A**	315(A,J)AV060110	46500	11.20	13.50	3
3042354	113RE(A,G)048-D	CSRH*6012A**	315(A,J)AV066135	46500	11.50	14.00	3
3042355	113RE(A,G)048-D	CSRH*6012A**	315(A,J)AV066155	46500	11.50	14.00	3
3124965	113RE(A,G)048-D	CSRH*6012A**	353AAV048080	46500	11.70	13.50	3
3124966	113RE(A,G)048-D	CSRH*6012A**	353AAV060100	46500	12.00	14.00	3
3124967	113RE(A,G)048-D	CSRH*6012A**	353AAV060120	46500	12.00	14.00	3
3042349	113RE(A,G)048-D	CSRH*6012A**	355(A,C)AV060080	46500	11.20	13.50	3
3042350	113RE(A,G)048-D	CSRH*6012A**	355(A,C)AV060100	46500	11.20	13.50	3
3042351	113RE(A,G)048-D	CSRH*6012A**	355(A,C)AV060120	46500	11.20	13.50	3
3042348	113RE(A,G)048-D	CSRH*6012A**+TDR		47500	11.00	13.00	3
3042356	113RE(A,G)048-D	FA4CN(F,C)048		47000	11.00	13.00	3
3042357	113RE(A,G)048-D	FC4DN(F,B)048		47500	11.20	13.50	3
3042358	113RE(A,G)048-D	FC4DN(F,B)060		48500	11.50	14.00	3
3042359	113RE(A,G)048-D	FK4DN(B,F)005		47000	11.50	14.00	3
3042360	113RE(A,G)048-D	FK4DNB006		47500	11.50	14.00	3
3042384	113RE(A,G)060-H	†CAR**6024A**+TDR		56000	11.00	13.00	3
3042385	113RE(A,G)060-H	CAR**6021A**	313*AV048090	54500	11.00	13.00	3
3042386	113RE(A,G)060-H	CAR**6021A**	313*AV060110	55000	11.20	13.25	3
3124968	113RE(A,G)060-H	CAR**6021A**	353AAV060100	55500	11.00	13.25	3
3042395	113RE(A,G)060-H	CAR**6021A**+TDR		55500	11.00	13.00	3
3042387	113RE(A,G)060-H	CAR**6024A**	313*AV060135	55500	11.20	13.25	3
3042396	113RE(A,G)060-H	CAR**6024A**	315(A,J)AV066135	55000	11.20	13.20	3
3042397	113RE(A,G)060-H	CAR**6024A**	315(A,J)AV066155	56000	11.20	13.20	3
3124969	113RE(A,G)060-H	CAR**6024A**	353AAV060120	55500	11.00	13.50	3
3042389	113RE(A,G)060-H	CNRH*6024A**	313*AV048090	55000	11.00	13.00	3
3042390	113RE(A,G)060-H	CNRH*6024A**	313*AV060110	55500	11.20	13.25	3
3042391	113RE(A,G)060-H	CNRH*6024A**	313*AV060135	55500	11.20	13.25	3
3042400	113RE(A,G)060-H	CNRH*6024A**	315(A,J)AV066135	55000	11.20	13.20	3
3042401	113RE(A,G)060-H	CNRH*6024A**	315(A,J)AV066155	55500	11.50	13.50	3
3124971	113RE(A,G)060-H	CNRH*6024A**	353AAV060100	55500	11.00	13.25	3
3124972	113RE(A,G)060-H	CNRH*6024A**	353AAV060120	55500	11.00	13.50	3
3042388	113RE(A,G)060-H	CNRV*6024A**	313*AV060135	55500	11.20	13.25	3
3042398	113RE(A,G)060-H	CNRV*6024A**	315(A,J)AV066135	55500	11.00	13.20	3
3042399	113RE(A,G)060-H	CNRV*6024A**	315(A,J)AV066155	55500	11.50	13.50	3
3124970	113RE(A,G)060-H	CNRV*6024A**	353AAV060120	55500	11.00	13.50	3
3042392	113RE(A,G)060-H	CSRH*6012A**	313*AV048090	55000	11.00	13.00	3
3042393	113RE(A,G)060-H	CSRH*6012A**	313*AV060110	56000	11.20	13.25	3
3042394	113RE(A,G)060-H	CSRH*6012A**	313*AV060135	56000	11.20	13.25	3
3042402	113RE(A,G)060-H	CSRH*6012A**	315(A,J)AV066135	56000	11.20	13.20	3
3042403	113RE(A,G)060-H	CSRH*6012A**	315(A,J)AV066155	56000	11.50	13.50	3
3124973	113RE(A,G)060-H	CSRH*6012A**	353AAV060100	56000	11.00	13.50	3
3124974	113RE(A,G)060-H	CSRH*6012A**	353AAV060120	56000	11.00	13.50	3
3042404	113RE(A,G)060-H	FA4CN(B,C)060		56000	11.00	13.00	3
3042405	113RE(A,G)060-H	FC4DN(F,B)060		56000	11.20	13.20	3
3042406	113RE(A,G)060-H	FK4DNB006		56500	11.70	13.50	3

See notes on pg. 43

113R

COMBINATION RATINGS CONTINUED

113R

ARI Ref. No.	Model Number	Indoor Model	Furnace Model	Capacity	EER	SEER	Phase
3041738	113RP(A,G)030-E	CNPH*3617A**	313*AV048070	28600	12.00	14.00	3
3041739	113RP(A,G)030-E	CNPH*3617A**	313*AV048090	28600	12.00	14.50	3
3041733	113RP(A,G)030-E	CNPV*3017A**	313*AV048070	28600	12.00	14.00	3
3041734	113RP(A,G)030-E	CNPV*3617A**	313*AV048070	28600	12.00	14.00	3
3041735	113RP(A,G)030-E	CNPV*3621A**	313*AV048090	28600	12.00	14.50	3
3041787	113RP(A,G)030-E	CNRF*3618A**+TDR		27600	11.20	13.00	3
3041770	113RP(A,G)030-E	CNRH*3017A**	315(A,J)AV036070	27400	12.00	14.00	3
3041771	113RP(A,G)030-E	CNRH*3017A**	315(A,J)AV048090	27400	12.00	14.00	3
3041772	113RP(A,G)030-E	CNRH*3017A**	315(A,J)AV060110	27400	12.00	14.00	3
3041773	113RP(A,G)030-E	CNRH*3017A**	315(A,J)AV066135	27400	12.00	14.00	3
3041774	113RP(A,G)030-E	CNRH*3017A**	315(A,J)AV066155	27400	12.00	14.00	3
3124777	113RP(A,G)030-E	CNRH*3017A**	353AAV036040	28600	12.00	14.50	3
3124778	113RP(A,G)030-E	CNRH*3017A**	353AAV036060	28600	12.00	14.50	3
3124779	113RP(A,G)030-E	CNRH*3017A**	353AAV036080	28600	12.00	14.50	3
3124780	113RP(A,G)030-E	CNRH*3017A**	353AAV048080	28600	12.00	14.00	3
3041764	113RP(A,G)030-E	CNRH*3017A**	355(A,C)AV042040	27400	12.00	14.00	3
3041765	113RP(A,G)030-E	CNRH*3017A**	355(A,C)AV042060	27600	12.00	14.00	3
3041766	113RP(A,G)030-E	CNRH*3017A**	355(A,C)AV042080	27200	12.00	14.00	3
3041767	113RP(A,G)030-E	CNRH*3017A**	355(A,C)AV060080	27400	12.00	14.00	3
3041768	113RP(A,G)030-E	CNRH*3017A**	355(A,C)AV060100	27200	12.00	14.00	3
3041769	113RP(A,G)030-E	CNRH*3017A**	355(A,C)AV060120	27400	12.00	14.00	3
3041763	113RP(A,G)030-E	CNRH*3017A**+TDR		27600	11.20	13.00	3
3041782	113RP(A,G)030-E	CNRH*3617A**	315(A,J)AV036070	27400	12.00	14.00	3
3041783	113RP(A,G)030-E	CNRH*3617A**	315(A,J)AV048090	27400	12.00	14.00	3
3041784	113RP(A,G)030-E	CNRH*3617A**	315(A,J)AV060110	27400	12.00	14.00	3
3041785	113RP(A,G)030-E	CNRH*3617A**	315(A,J)AV066135	27400	12.00	14.00	3
3041786	113RP(A,G)030-E	CNRH*3617A**	315(A,J)AV066155	27400	12.00	14.00	3
3124781	113RP(A,G)030-E	CNRH*3617A**	353AAV036040	28600	12.00	14.50	3
3124782	113RP(A,G)030-E	CNRH*3617A**	353AAV036060	28600	12.00	14.50	3
3124783	113RP(A,G)030-E	CNRH*3617A**	353AAV036080	28600	12.00	14.50	3
3124784	113RP(A,G)030-E	CNRH*3617A**	353AAV048080	28600	12.00	14.00	3
3041776	113RP(A,G)030-E	CNRH*3617A**	355(A,C)AV042040	27400	12.00	14.00	3
3041777	113RP(A,G)030-E	CNRH*3617A**	355(A,C)AV042060	27600	12.00	14.00	3
3041778	113RP(A,G)030-E	CNRH*3617A**	355(A,C)AV042080	27200	12.00	14.00	3
3041779	113RP(A,G)030-E	CNRH*3617A**	355(A,C)AV060080	27400	12.00	14.00	3
3041780	113RP(A,G)030-E	CNRH*3617A**	355(A,C)AV060100	27200	12.00	14.00	3
3041781	113RP(A,G)030-E	CNRH*3617A**	355(A,C)AV060120	27400	12.00	14.00	3
3041775	113RP(A,G)030-E	CNRH*3617A**+TDR		27600	11.20	13.00	3
3041754	113RP(A,G)030-E	CNRV*3014A**	315(A,J)AV036070	27200	12.00	14.00	3
3041756	113RP(A,G)030-E	CNRV*3017A**	315(A,J)AV048090	27400	12.00	14.00	3
3124769	113RP(A,G)030-E	CNRV*3017A**	353AAV036040	28600	12.00	14.50	3
3124770	113RP(A,G)030-E	CNRV*3017A**	353AAV036060	28600	12.00	14.50	3
3124771	113RP(A,G)030-E	CNRV*3017A**	353AAV036080	28600	12.00	14.50	3
3124772	113RP(A,G)030-E	CNRV*3017A**	353AAV048080	28600	12.00	14.50	3
3041755	113RP(A,G)030-E	CNRV*3017A**	355(A,C)AV042060	27600	12.00	14.00	3
3041758	113RP(A,G)030-E	CNRV*3617A**	315(A,J)AV048090	27400	12.00	14.00	3
3124773	113RP(A,G)030-E	CNRV*3617A**	353AAV036040	28600	12.00	14.50	3
3124774	113RP(A,G)030-E	CNRV*3617A**	353AAV036060	28600	12.00	14.50	3
3124775	113RP(A,G)030-E	CNRV*3617A**	353AAV036080	28600	12.00	14.50	3
3124776	113RP(A,G)030-E	CNRV*3617A**	353AAV048080	28600	12.00	14.00	3
3041757	113RP(A,G)030-E	CNRV*3617A**	355(A,C)AV042060	27600	12.00	14.00	3
3041762	113RP(A,G)030-E	CNRV*3621A**	315(A,J)AV060110	27400	12.00	14.00	3
3041759	113RP(A,G)030-E	CNRV*3621A**	355(A,C)AV042080	27200	12.00	14.00	3
3041760	113RP(A,G)030-E	CNRV*3621A**	355(A,C)AV060080	27400	12.00	14.00	3
3041761	113RP(A,G)030-E	CNRV*3621A**	355(A,C)AV060100	27200	12.00	14.00	3
3041740	113RP(A,G)030-E	CSPH*3012A**	313*AV048070	28600	12.00	14.00	3
3041741	113RP(A,G)030-E	CSPH*3012A**	313*AV048090	28600	12.00	14.00	3
3041742	113RP(A,G)030-E	CSPH*3612A**	313*AV048070	28600	12.00	14.00	3
3041743	113RP(A,G)030-E	CSPH*3612A**	313*AV048090	29000	12.20	14.50	3
3041795	113RP(A,G)030-E	CSRH*3012A**	315(A,J)AV036070	27400	12.00	14.00	3
3041796	113RP(A,G)030-E	CSRH*3012A**	315(A,J)AV048090	27400	12.00	14.00	3
3041797	113RP(A,G)030-E	CSRH*3012A**	315(A,J)AV060110	27400	12.00	14.00	3
3041798	113RP(A,G)030-E	CSRH*3012A**	315(A,J)AV066135	27400	12.00	14.00	3
3041799	113RP(A,G)030-E	CSRH*3012A**	315(A,J)AV066155	27400	12.00	14.00	3
3124785	113RP(A,G)030-E	CSRH*3012A**	353AAV036040	28600	12.00	14.50	3
3124786	113RP(A,G)030-E	CSRH*3012A**	353AAV036060	28600	12.00	14.50	3
3124787	113RP(A,G)030-E	CSRH*3012A**	353AAV036080	28600	12.00	14.50	3
3124788	113RP(A,G)030-E	CSRH*3012A**	353AAV048080	28600	12.00	14.00	3
3041789	113RP(A,G)030-E	CSRH*3012A**	355(A,C)AV042040	27400	12.00	14.00	3
3041790	113RP(A,G)030-E	CSRH*3012A**	355(A,C)AV042060	27600	12.00	14.00	3
3041791	113RP(A,G)030-E	CSRH*3012A**	355(A,C)AV042080	27400	12.00	14.00	3
3041792	113RP(A,G)030-E	CSRH*3012A**	355(A,C)AV060080	27600	12.00	14.00	3
3041793	113RP(A,G)030-E	CSRH*3012A**	355(A,C)AV060100	27400	12.00	14.00	3
3041794	113RP(A,G)030-E	CSRH*3012A**	355(A,C)AV060120	27600	12.00	14.00	3
3041788	113RP(A,G)030-E	CSRH*3012A**+TDR		27600	11.20	13.00	3
3041807	113RP(A,G)030-E	CSRH*3612A**	315(A,J)AV036070	27400	12.00	14.00	3
3041808	113RP(A,G)030-E	CSRH*3612A**	315(A,J)AV048090	27400	12.00	14.00	3

See notes on pg. 43

COMBINATION RATINGS CONTINUED

ARI Ref. No.	Model Number	Indoor Model	Furnace Model	Capacity	EER	SEER	Phase
3041809	113RP(A,G)030-E	CSRH*3612A**	315(A,J)AV060110	27400	12.00	14.00	3
3041810	113RP(A,G)030-E	CSRH*3612A**	315(A,J)AV066135	27400	12.00	14.00	3
3041811	113RP(A,G)030-E	CSRH*3612A**	315(A,J)AV066155	27400	12.00	14.00	3
3124789	113RP(A,G)030-E	CSRH*3612A**	353AAV036040	28600	12.00	14.50	3
3124790	113RP(A,G)030-E	CSRH*3612A**	353AAV036060	28600	12.00	14.50	3
3124791	113RP(A,G)030-E	CSRH*3612A**	353AAV036080	28600	12.00	14.50	3
3124792	113RP(A,G)030-E	CSRH*3612A**	353AAV048080	28600	12.00	14.50	3
3041801	113RP(A,G)030-E	CSRH*3612A**	355(A,C)AV042040	27400	12.00	14.00	3
3041802	113RP(A,G)030-E	CSRH*3612A**	355(A,C)AV042060	27400	12.00	14.00	3
3041803	113RP(A,G)030-E	CSRH*3612A**	355(A,C)AV042080	27400	12.00	14.00	3
3041804	113RP(A,G)030-E	CSRH*3612A**	355(A,C)AV060080	27400	12.00	14.00	3
3041805	113RP(A,G)030-E	CSRH*3612A**	355(A,C)AV060100	27400	12.00	14.00	3
3041806	113RP(A,G)030-E	CSRH*3612A**	355(A,C)AV060120	27400	12.00	14.00	3
3041800	113RP(A,G)030-E	CSRH*3612A**+TDR		27400	11.20	13.00	3
3041812	113RP(A,G)030-E	FA4CN(F,C)030		27400	11.20	13.00	3
3041813	113RP(A,G)030-E	FA4CN(F,C)036		27600	11.20	13.00	3
3041815	113RP(A,G)030-E	FC4DN(F,B)036		28200	12.00	14.00	3
3041814	113RP(A,G)030-E	FC4DNF030		27800	12.00	14.00	3
3041816	113RP(A,G)030-E	FF1ENE030		27200	11.20	13.00	3
3041817	113RP(A,G)030-E	FF1ENE036		27600	11.20	13.00	3
3041820	113RP(A,G)030-E	FK4DN(B,F)003		27800	12.00	14.00	3
3041821	113RP(A,G)030-E	FK4DN(B,F)005		28600	12.00	14.00	3
3041818	113RP(A,G)030-E	FK4DNF001		27400	12.00	14.00	3
3041819	113RP(A,G)030-E	FK4DNF002		27800	12.00	14.00	3
3041822	113RP(A,G)036-E	†CAR**3617A**+TDR		33800	11.20	13.00	3
3041823	113RP(A,G)036-E	CAR**3614A**	313*AV024045	33400	11.20	13.20	3
3041851	113RP(A,G)036-E	CAR**3614A**	315(A,J)AV036070	33000	11.70	13.50	3
3041850	113RP(A,G)036-E	CAR**3614A**+TDR		33000	11.20	13.00	3
3041824	113RP(A,G)036-E	CAR**3617A**	313*AV048070	34600	11.70	13.50	3
3041853	113RP(A,G)036-E	CAR**3617A**	315(A,J)AV048090	33600	12.00	14.00	3
3124793	113RP(A,G)036-E	CAR**3617A**	353AAV036040	34400	12.00	14.00	3
3124794	113RP(A,G)036-E	CAR**3617A**	353AAV036060	34400	12.00	14.00	3
3124795	113RP(A,G)036-E	CAR**3617A**	353AAV036080	34400	12.00	14.00	3
3124796	113RP(A,G)036-E	CAR**3617A**	353AAV048080	34400	12.00	14.00	3
3041852	113RP(A,G)036-E	CAR**3617A**	355(A,C)AV042060	33800	11.70	13.50	3
3041825	113RP(A,G)036-E	CAR**3621A**	313*AV048090	35000	12.00	14.00	3
3041826	113RP(A,G)036-E	CAR**3621A**	313*AV060110	35200	12.00	14.00	3
3041858	113RP(A,G)036-E	CAR**3621A**	315(A,J)AV060110	33600	12.00	14.00	3
3124797	113RP(A,G)036-E	CAR**3621A**	353AAV060100	34400	12.00	14.00	3
3041855	113RP(A,G)036-E	CAR**3621A**	355(A,C)AV042080	33600	11.70	13.50	3
3041856	113RP(A,G)036-E	CAR**3621A**	355(A,C)AV060080	33600	12.00	14.00	3
3041857	113RP(A,G)036-E	CAR**3621A**	355(A,C)AV060100	33800	12.00	14.00	3
3041854	113RP(A,G)036-E	CAR**3621A**+TDR		33800	11.20	13.00	3
3041827	113RP(A,G)036-E	CAR**4221A**	313*AV048090	35200	12.00	14.00	3
3041828	113RP(A,G)036-E	CAR**4221A**	313*AV060110	35400	12.00	14.00	3
3041863	113RP(A,G)036-E	CAR**4221A**	315(A,J)AV060110	34000	12.00	14.00	3
3124798	113RP(A,G)036-E	CAR**4221A**	353AAV060100	34400	12.00	14.00	3
3041860	113RP(A,G)036-E	CAR**4221A**	355(A,C)AV042080	34000	12.00	14.00	3
3041861	113RP(A,G)036-E	CAR**4221A**	355(A,C)AV060080	33800	12.00	14.00	3
3041862	113RP(A,G)036-E	CAR**4221A**	355(A,C)AV060100	34000	12.00	14.00	3
3041859	113RP(A,G)036-E	CAR**4221A**+TDR		34200	11.20	13.00	3
3041867	113RP(A,G)036-E	CAR**4224A**	315(A,J)AV066135	34000	12.00	14.00	3
3041868	113RP(A,G)036-E	CAR**4224A**	315(A,J)AV066155	34000	12.00	14.00	3
3041865	113RP(A,G)036-E	CAR**4224A**	355(A,C)AV042040	33800	11.70	13.50	3
3041866	113RP(A,G)036-E	CAR**4224A**	355(A,C)AV060120	34000	12.00	14.00	3
3041864	113RP(A,G)036-E	CAR**4224A**+TDR		34200	11.20	13.00	3
3041906	113RP(A,G)036-E	CNRH*3618A**+TDR		33800	11.20	13.00	3
3041834	113RP(A,G)036-E	CNRH*3617A**	313*AV024045	34400	11.20	13.20	3
3041835	113RP(A,G)036-E	CNRH*3617A**	313*AV048070	34400	11.70	13.50	3
3041836	113RP(A,G)036-E	CNRH*3617A**	313*AV048090	34600	12.00	14.00	3
3041837	113RP(A,G)036-E	CNRH*3617A**	313*AV060110	34800	12.00	14.00	3
3041889	113RP(A,G)036-E	CNRH*3617A**	315(A,J)AV036070	33600	11.70	13.50	3
3041890	113RP(A,G)036-E	CNRH*3617A**	315(A,J)AV048090	33600	11.70	13.50	3
3041891	113RP(A,G)036-E	CNRH*3617A**	315(A,J)AV060110	33600	11.70	13.50	3
3041892	113RP(A,G)036-E	CNRH*3617A**	315(A,J)AV066135	33600	12.00	14.00	3
3041893	113RP(A,G)036-E	CNRH*3617A**	315(A,J)AV066155	33600	12.00	14.00	3
3124805	113RP(A,G)036-E	CNRH*3617A**	353AAV036040	34400	12.00	14.00	3
3124806	113RP(A,G)036-E	CNRH*3617A**	353AAV036060	34400	12.00	14.00	3
3124807	113RP(A,G)036-E	CNRH*3617A**	353AAV036080	34400	12.00	14.00	3
3124808	113RP(A,G)036-E	CNRH*3617A**	353AAV048080	34400	12.00	14.00	3
3124809	113RP(A,G)036-E	CNRH*3617A**	353AAV060100	34400	12.00	14.00	3
3041883	113RP(A,G)036-E	CNRH*3617A**	355(A,C)AV042040	33600	11.70	13.50	3
3041884	113RP(A,G)036-E	CNRH*3617A**	355(A,C)AV042060	33600	11.70	13.50	3
3041885	113RP(A,G)036-E	CNRH*3617A**	355(A,C)AV042080	33600	11.70	13.50	3
3041886	113RP(A,G)036-E	CNRH*3617A**	355(A,C)AV060080	33600	11.70	13.50	3
3041887	113RP(A,G)036-E	CNRH*3617A**	355(A,C)AV060100	33600	11.70	13.50	3
3041888	113RP(A,G)036-E	CNRH*3617A**	355(A,C)AV060120	33600	11.70	13.50	3
3041882	113RP(A,G)036-E	CNRH*3617A**+TDR		33800	11.20	13.00	3

See notes on pg. 43

113R

COMBINATION RATINGS CONTINUED

113R

ARI Ref. No.	Model Number	Indoor Model	Furnace Model	Capacity	EER	SEER	Phase
3041838	113RP(A,G)036-E	CNRH*4221A**	313*AV024045	34800	11.50	13.20	3
3041839	113RP(A,G)036-E	CNRH*4221A**	313*AV048070	35000	11.70	13.50	3
3041840	113RP(A,G)036-E	CNRH*4221A**	313*AV048090	35200	12.00	14.00	3
3041841	113RP(A,G)036-E	CNRH*4221A**	313*AV060110	35400	12.00	14.00	3
3041901	113RP(A,G)036-E	CNRH*4221A**	315(A,J)AV036070	33800	11.70	13.50	3
3041902	113RP(A,G)036-E	CNRH*4221A**	315(A,J)AV048090	34000	12.00	14.00	3
3041903	113RP(A,G)036-E	CNRH*4221A**	315(A,J)AV060110	34000	12.00	14.00	3
3041904	113RP(A,G)036-E	CNRH*4221A**	315(A,J)AV066135	34000	12.00	14.00	3
3041905	113RP(A,G)036-E	CNRH*4221A**	315(A,J)AV066155	34000	12.00	14.00	3
3124810	113RP(A,G)036-E	CNRH*4221A**	353AAV036040	34400	12.00	14.00	3
3124811	113RP(A,G)036-E	CNRH*4221A**	353AAV036060	34400	12.00	14.00	3
3124812	113RP(A,G)036-E	CNRH*4221A**	353AAV036080	34400	12.00	14.00	3
3124813	113RP(A,G)036-E	CNRH*4221A**	353AAV048080	34400	12.00	14.00	3
3124814	113RP(A,G)036-E	CNRH*4221A**	353AAV060100	34400	12.00	14.00	3
3041895	113RP(A,G)036-E	CNRH*4221A**	355(A,C)AV042040	33800	11.70	13.50	3
3041896	113RP(A,G)036-E	CNRH*4221A**	355(A,C)AV042060	34000	12.00	14.00	3
3041897	113RP(A,G)036-E	CNRH*4221A**	355(A,C)AV042080	33800	11.70	13.50	3
3041898	113RP(A,G)036-E	CNRH*4221A**	355(A,C)AV060080	33800	12.00	14.00	3
3041899	113RP(A,G)036-E	CNRH*4221A**	355(A,C)AV060100	34000	12.00	14.00	3
3041900	113RP(A,G)036-E	CNRH*4221A**	355(A,C)AV060120	34000	12.00	14.00	3
3041894	113RP(A,G)036-E	CNRH*4221A**+TDR		34200	11.20	13.00	3
3041829	113RP(A,G)036-E	CNRV*3617A**	313*AV048070	34400	11.70	13.50	3
3041871	113RP(A,G)036-E	CNRV*3617A**	315(A,J)AV048090	33600	11.70	13.50	3
3124799	113RP(A,G)036-E	CNRV*3617A**	353AAV036040	34400	12.00	14.00	3
3124800	113RP(A,G)036-E	CNRV*3617A**	353AAV036060	34400	12.00	14.00	3
3124801	113RP(A,G)036-E	CNRV*3617A**	353AAV036080	34400	12.00	14.00	3
3124802	113RP(A,G)036-E	CNRV*3617A**	353AAV048080	34400	12.00	14.00	3
3041870	113RP(A,G)036-E	CNRV*3617A**	355(A,C)AV042060	33600	11.70	13.50	3
3041869	113RP(A,G)036-E	CNRV*3617A**+TDR		33800	11.20	13.00	3
3041830	113RP(A,G)036-E	CNRV*3621A**	313*AV048090	34600	12.00	14.00	3
3041831	113RP(A,G)036-E	CNRV*3621A**	313*AV060110	34800	12.00	14.00	3
3041876	113RP(A,G)036-E	CNRV*3621A**	315(A,J)AV060110	33600	11.70	13.50	3
3124803	113RP(A,G)036-E	CNRV*3621A**	353AAV060100	34400	12.00	14.00	3
3041873	113RP(A,G)036-E	CNRV*3621A**	355(A,C)AV042080	33600	11.70	13.50	3
3041874	113RP(A,G)036-E	CNRV*3621A**	355(A,C)AV060080	33600	11.70	13.50	3
3041875	113RP(A,G)036-E	CNRV*3621A**	355(A,C)AV060100	33600	11.70	13.50	3
3041872	113RP(A,G)036-E	CNRV*3621A**+TDR		33800	11.20	13.00	3
3041832	113RP(A,G)036-E	CNRV*4221A**	313*AV048090	35200	12.00	14.00	3
3041833	113RP(A,G)036-E	CNRV*4221A**	313*AV060110	35400	12.00	14.00	3
3041881	113RP(A,G)036-E	CNRV*4221A**	315(A,J)AV060110	34000	12.00	14.00	3
3124804	113RP(A,G)036-E	CNRV*4221A**	353AAV060100	34400	12.00	14.00	3
3041878	113RP(A,G)036-E	CNRV*4221A**	355(A,C)AV042080	33800	11.70	13.50	3
3041879	113RP(A,G)036-E	CNRV*4221A**	355(A,C)AV060080	33800	12.00	14.00	3
3041880	113RP(A,G)036-E	CNRV*4221A**	355(A,C)AV060100	34000	12.00	14.00	3
3041877	113RP(A,G)036-E	CNRV*4221A**+TDR		34200	11.20	13.00	3
3041842	113RP(A,G)036-E	CSRH*3612A**	313*AV024045	34400	11.20	13.20	3
3041843	113RP(A,G)036-E	CSRH*3612A**	313*AV048070	34400	11.70	13.50	3
3041844	113RP(A,G)036-E	CSRH*3612A**	313*AV048090	34600	12.00	14.00	3
3041845	113RP(A,G)036-E	CSRH*3612A**	313*AV060110	34800	12.00	14.00	3
3041914	113RP(A,G)036-E	CSRH*3612A**	315(A,J)AV036070	33600	12.00	14.00	3
3041915	113RP(A,G)036-E	CSRH*3612A**	315(A,J)AV048090	33600	12.00	14.00	3
3041916	113RP(A,G)036-E	CSRH*3612A**	315(A,J)AV060110	33600	12.00	14.00	3
3041917	113RP(A,G)036-E	CSRH*3612A**	315(A,J)AV066135	33600	12.00	14.00	3
3041918	113RP(A,G)036-E	CSRH*3612A**	315(A,J)AV066155	33600	12.00	14.00	3
3124815	113RP(A,G)036-E	CSRH*3612A**	353AAV036040	34400	12.00	14.00	3
3124816	113RP(A,G)036-E	CSRH*3612A**	353AAV036060	34400	12.00	14.00	3
3124817	113RP(A,G)036-E	CSRH*3612A**	353AAV036080	34400	12.00	14.00	3
3124818	113RP(A,G)036-E	CSRH*3612A**	353AAV048080	34400	12.00	14.00	3
3124819	113RP(A,G)036-E	CSRH*3612A**	353AAV060100	34400	12.00	14.00	3
3041908	113RP(A,G)036-E	CSRH*3612A**	355(A,C)AV042040	33600	12.00	14.00	3
3041909	113RP(A,G)036-E	CSRH*3612A**	355(A,C)AV042060	33600	12.00	14.00	3
3041910	113RP(A,G)036-E	CSRH*3612A**	355(A,C)AV042080	33600	12.00	14.00	3
3041911	113RP(A,G)036-E	CSRH*3612A**	355(A,C)AV060080	33800	12.00	14.00	3
3041912	113RP(A,G)036-E	CSRH*3612A**	355(A,C)AV060100	33600	12.00	14.00	3
3041913	113RP(A,G)036-E	CSRH*3612A**	355(A,C)AV060120	33600	12.00	14.00	3
3041907	113RP(A,G)036-E	CSRH*3612A**+TDR		33800	11.20	13.00	3
3041846	113RP(A,G)036-E	CSRH*4212A**	313*AV024045	34800	11.50	13.20	3
3041847	113RP(A,G)036-E	CSRH*4212A**	313*AV048070	35000	11.70	13.50	3
3041848	113RP(A,G)036-E	CSRH*4212A**	313*AV048090	35200	12.00	14.00	3
3041849	113RP(A,G)036-E	CSRH*4212A**	313*AV060110	35400	12.00	14.00	3
3041926	113RP(A,G)036-E	CSRH*4212A**	315(A,J)AV036070	33800	12.00	14.00	3
3041927	113RP(A,G)036-E	CSRH*4212A**	315(A,J)AV048090	34000	12.00	14.00	3
3041928	113RP(A,G)036-E	CSRH*4212A**	315(A,J)AV060110	34000	12.00	14.00	3
3041929	113RP(A,G)036-E	CSRH*4212A**	315(A,J)AV066135	34000	12.00	14.00	3
3041930	113RP(A,G)036-E	CSRH*4212A**	315(A,J)AV066155	34000	12.00	14.00	3
3124820	113RP(A,G)036-E	CSRH*4212A**	353AAV036040	34400	12.00	14.00	3
3124821	113RP(A,G)036-E	CSRH*4212A**	353AAV036060	34400	12.00	14.00	3
3124822	113RP(A,G)036-E	CSRH*4212A**	353AAV036080	34400	12.00	14.00	3
3124823	113RP(A,G)036-E	CSRH*4212A**	353AAV048080	34400	12.00	14.00	3

See notes on pg. 43

COMBINATION RATINGS CONTINUED

ARI Ref. No.	Model Number	Indoor Model	Furnace Model	Capacity	EER	SEER	Phase
3124824	113RP(A,G)036-E	CSRH*4212A**	353AAV060100	34400	12.00	14.00	3
3041920	113RP(A,G)036-E	CSRH*4212A**	355(A,C)AV042040	33800	12.00	14.00	3
3041921	113RP(A,G)036-E	CSRH*4212A**	355(A,C)AV042060	33800	12.00	14.00	3
3041922	113RP(A,G)036-E	CSRH*4212A**	355(A,C)AV042080	33800	12.00	14.00	3
3041923	113RP(A,G)036-E	CSRH*4212A**	355(A,C)AV060080	33800	12.00	14.00	3
3041924	113RP(A,G)036-E	CSRH*4212A**	355(A,C)AV060100	34000	12.00	14.00	3
3041925	113RP(A,G)036-E	CSRH*4212A**	355(A,C)AV060120	34000	12.00	14.00	3
3041919	113RP(A,G)036-E	CSRH*4212A**+TDR		34200	11.20	13.00	3
3041931	113RP(A,G)036-E	FA4CN(F,C)036		33800	11.00	13.00	3
3041932	113RP(A,G)036-E	FA4CN(F,C)042		34600	11.20	13.00	3
3041933	113RP(A,G)036-E	FC4DN(F,B)036		34600	11.70	13.50	3
3041934	113RP(A,G)036-E	FC4DN(F,B)042		35400	11.70	13.50	3
3041935	113RP(A,G)036-E	FF1ENE036		34400	11.20	13.00	3
3041938	113RP(A,G)036-E	FK4DN(B,F)003		34400	12.00	14.00	3
3041939	113RP(A,G)036-E	FK4DN(B,F)005		35800	12.00	14.00	3
3041940	113RP(A,G)036-E	FK4DNB006		36200	12.00	14.00	3
3041936	113RP(A,G)036-E	FK4DNF001		33800	11.70	13.50	3
3041937	113RP(A,G)036-E	FK4DNF002		34200	11.70	13.50	3
3045056	113RP(A,G)042-C	CAR**4221A**	313*AV048090	40000	11.70	13.50	3
3045057	113RP(A,G)042-C	CAR**4221A**	313*AV060110	40000	11.70	14.00	3
3045087	113RP(A,G)042-C	CAR**4221A**	315(A,J)AV060110	40500	11.20	13.50	3
3124825	113RP(A,G)042-C	CAR**4221A**	353AAV060100	40000	11.70	13.50	3
3045084	113RP(A,G)042-C	CAR**4221A**	355(A,C)AV042080	40000	11.20	13.50	3
3045085	113RP(A,G)042-C	CAR**4221A**	355(A,C)AV060080	40000	11.20	13.50	3
3045086	113RP(A,G)042-C	CAR**4221A**	355(A,C)AV060100	40000	11.20	13.50	3
3045058	113RP(A,G)042-C	CAR**4224A**	313*AV060135	40000	11.70	14.00	3
3045091	113RP(A,G)042-C	CAR**4224A**	315(A,J)AV066135	40500	11.50	14.00	3
3045092	113RP(A,G)042-C	CAR**4224A**	315(A,J)AV066155	40500	11.50	14.00	3
3124826	113RP(A,G)042-C	CAR**4224A**	353AAV060120	40500	12.00	14.00	3
3045089	113RP(A,G)042-C	CAR**4224A**	355(A,C)AV042040	40000	11.20	13.50	3
3045090	113RP(A,G)042-C	CAR**4224A**	355(A,C)AV060120	40000	11.20	13.50	3
3045088	113RP(A,G)042-C	CAR**4224A**+TDR		40500	11.00	13.00	3
3045059	113RP(A,G)042-C	CAR**4817A**	313*AV048070	39500	11.50	13.20	3
3045095	113RP(A,G)042-C	CAR**4817A**	315(A,J)AV048090	40000	11.50	14.00	3
3124827	113RP(A,G)042-C	CAR**4817A**	353AAV036040	40500	11.70	13.50	3
3124828	113RP(A,G)042-C	CAR**4817A**	353AAV036060	40500	11.70	13.50	3
3124829	113RP(A,G)042-C	CAR**4817A**	353AAV036080	40500	11.70	13.50	3
3124830	113RP(A,G)042-C	CAR**4817A**	353AAV048080	40500	11.70	13.50	3
3045094	113RP(A,G)042-C	CAR**4817A**	355(A,C)AV042060	40000	11.20	13.50	3
3045093	113RP(A,G)042-C	CAR**4817A**+TDR		40500	11.00	13.00	3
3045060	113RP(A,G)042-C	CAR**4821A**	313*AV048090	40500	12.00	14.00	3
3045061	113RP(A,G)042-C	CAR**4821A**	313*AV060110	40500	12.00	14.00	3
3045100	113RP(A,G)042-C	CAR**4821A**	315(A,J)AV060110	41000	11.50	14.00	3
3124831	113RP(A,G)042-C	CAR**4821A**	353AAV060100	40500	12.00	14.00	3
3045097	113RP(A,G)042-C	CAR**4821A**	355(A,C)AV042080	40500	11.20	13.50	3
3045098	113RP(A,G)042-C	CAR**4821A**	355(A,C)AV060080	41000	11.20	13.50	3
3045099	113RP(A,G)042-C	CAR**4821A**	355(A,C)AV060100	41000	11.50	14.00	3
3045096	113RP(A,G)042-C	CAR**4821A**+TDR		41500	11.00	13.00	3
3045062	113RP(A,G)042-C	CAR**4824A**	313*AV060135	40500	12.00	14.00	3
3045104	113RP(A,G)042-C	CAR**4824A**	315(A,J)AV066135	41000	11.50	14.00	3
3045105	113RP(A,G)042-C	CAR**4824A**	315(A,J)AV066155	41000	11.50	14.00	3
3124832	113RP(A,G)042-C	CAR**4824A**	353AAV060120	40500	12.00	14.00	3
3045102	113RP(A,G)042-C	CAR**4824A**	355(A,C)AV042040	40500	11.20	13.50	3
3045103	113RP(A,G)042-C	CAR**4824A**	355(A,C)AV060120	41000	11.50	14.00	3
3045101	113RP(A,G)042-C	CAR**4824A**+TDR		41500	11.00	13.00	3
3045145	113RP(A,G)042-C	CNRH*4818A**+TDR		40500	11.00	13.00	3
3045068	113RP(A,G)042-C	CNRH*4221A**	313*AV048070	39500	11.20	13.00	3
3045069	113RP(A,G)042-C	CNRH*4221A**	313*AV048090	40000	11.70	13.75	3
3045070	113RP(A,G)042-C	CNRH*4221A**	313*AV060110	40000	11.70	14.00	3
3045071	113RP(A,G)042-C	CNRH*4221A**	313*AV060135	40000	11.70	14.00	3
3045128	113RP(A,G)042-C	CNRH*4221A**	315(A,J)AV036070	40000	11.20	13.50	3
3045129	113RP(A,G)042-C	CNRH*4221A**	315(A,J)AV048090	40000	11.50	14.00	3
3045130	113RP(A,G)042-C	CNRH*4221A**	315(A,J)AV060110	40000	11.50	14.00	3
3045131	113RP(A,G)042-C	CNRH*4221A**	315(A,J)AV066135	40000	11.50	14.00	3
3045132	113RP(A,G)042-C	CNRH*4221A**	315(A,J)AV066155	40000	11.50	14.00	3
3124836	113RP(A,G)042-C	CNRH*4221A**	353AAV036040	40500	11.70	13.50	3
3124837	113RP(A,G)042-C	CNRH*4221A**	353AAV036060	40000	11.70	13.50	3
3124838	113RP(A,G)042-C	CNRH*4221A**	353AAV036080	40000	11.70	13.50	3
3124839	113RP(A,G)042-C	CNRH*4221A**	353AAV048080	40000	11.70	13.50	3
3124840	113RP(A,G)042-C	CNRH*4221A**	353AAV060100	40000	11.70	13.50	3
3124841	113RP(A,G)042-C	CNRH*4221A**	353AAV060120	40500	11.70	13.50	3
3045122	113RP(A,G)042-C	CNRH*4221A**	355(A,C)AV042040	40000	11.20	13.50	3
3045123	113RP(A,G)042-C	CNRH*4221A**	355(A,C)AV042060	40000	11.20	13.50	3
3045124	113RP(A,G)042-C	CNRH*4221A**	355(A,C)AV042080	40000	11.20	13.50	3
3045125	113RP(A,G)042-C	CNRH*4221A**	355(A,C)AV060080	40000	11.20	13.50	3
3045126	113RP(A,G)042-C	CNRH*4221A**	355(A,C)AV060100	40000	11.50	14.00	3
3045127	113RP(A,G)042-C	CNRH*4221A**	355(A,C)AV060120	40000	11.50	14.00	3
3045121	113RP(A,G)042-C	CNRH*4221A**+TDR		40500	11.00	13.00	3
3045072	113RP(A,G)042-C	CNRH*4821A**	313*AV048070	40500	11.50	13.20	3

See notes on pg. 43

113R

COMBINATION RATINGS CONTINUED

113R

ARI Ref. No.	Model Number	Indoor Model	Furnace Model	Capacity	EER	SEER	Phase
3045073	113RP(A,G)042-C	CNRH*4821A**	313*AV048090	40500	12.00	14.00	3
3045074	113RP(A,G)042-C	CNRH*4821A**	313*AV060110	40500	12.00	14.00	3
3045075	113RP(A,G)042-C	CNRH*4821A**	313*AV060135	40500	12.00	14.00	3
3045140	113RP(A,G)042-C	CNRH*4821A**	315(A,J)AV036070	41000	11.20	13.50	3
3045141	113RP(A,G)042-C	CNRH*4821A**	315(A,J)AV048090	41000	11.50	14.00	3
3045142	113RP(A,G)042-C	CNRH*4821A**	315(A,J)AV060110	41000	11.50	14.00	3
3045143	113RP(A,G)042-C	CNRH*4821A**	315(A,J)AV066135	41000	11.50	14.00	3
3045144	113RP(A,G)042-C	CNRH*4821A**	315(A,J)AV066155	41000	11.50	14.00	3
3124842	113RP(A,G)042-C	CNRH*4821A**	353AAV036040	40500	11.70	13.50	3
3124843	113RP(A,G)042-C	CNRH*4821A**	353AAV036060	40500	11.70	13.50	3
3124844	113RP(A,G)042-C	CNRH*4821A**	353AAV036080	40500	11.70	13.50	3
3124845	113RP(A,G)042-C	CNRH*4821A**	353AAV048080	40500	11.70	13.50	3
3124846	113RP(A,G)042-C	CNRH*4821A**	353AAV060100	40500	12.00	14.00	3
3124847	113RP(A,G)042-C	CNRH*4821A**	353AAV060120	40500	12.00	14.00	3
3045134	113RP(A,G)042-C	CNRH*4821A**	355(A,C)AV042040	41000	11.20	13.50	3
3045135	113RP(A,G)042-C	CNRH*4821A**	355(A,C)AV042060	41000	11.20	13.50	3
3045136	113RP(A,G)042-C	CNRH*4821A**	355(A,C)AV042080	41000	11.20	13.50	3
3045137	113RP(A,G)042-C	CNRH*4821A**	355(A,C)AV060080	41000	11.20	13.50	3
3045138	113RP(A,G)042-C	CNRH*4821A**	355(A,C)AV060100	41000	11.50	14.00	3
3045139	113RP(A,G)042-C	CNRH*4821A**	355(A,C)AV060120	41000	11.50	14.00	3
3045133	113RP(A,G)042-C	CNRH*4821A**+TDR		41500	11.00	13.00	3
3045063	113RP(A,G)042-C	CNRV*4221A**	313*AV048090	40000	11.70	13.50	3
3045064	113RP(A,G)042-C	CNRV*4221A**	313*AV060110	40000	11.70	13.50	3
3045110	113RP(A,G)042-C	CNRV*4221A**	315(A,J)AV060110	40000	11.50	14.00	3
3124833	113RP(A,G)042-C	CNRV*4221A**	353AAV060100	40000	11.70	13.50	3
3045107	113RP(A,G)042-C	CNRV*4221A**	355(A,C)AV042080	40000	11.20	13.50	3
3045108	113RP(A,G)042-C	CNRV*4221A**	355(A,C)AV060080	40000	11.20	13.50	3
3045109	113RP(A,G)042-C	CNRV*4221A**	355(A,C)AV060100	40000	11.50	14.00	3
3045106	113RP(A,G)042-C	CNRV*4221A**+TDR		40500	11.00	13.00	3
3045065	113RP(A,G)042-C	CNRV*4821A**	313*AV048090	40500	12.00	14.00	3
3045066	113RP(A,G)042-C	CNRV*4821A**	313*AV060110	40500	12.00	14.00	3
3045115	113RP(A,G)042-C	CNRV*4821A**	315(A,J)AV060110	41000	11.50	14.00	3
3124834	113RP(A,G)042-C	CNRV*4821A**	353AAV060100	40500	12.00	14.00	3
3045112	113RP(A,G)042-C	CNRV*4821A**	355(A,C)AV042080	41000	11.20	13.50	3
3045113	113RP(A,G)042-C	CNRV*4821A**	355(A,C)AV060080	41000	11.20	13.50	3
3045114	113RP(A,G)042-C	CNRV*4821A**	355(A,C)AV060100	41000	11.50	14.00	3
3045111	113RP(A,G)042-C	CNRV*4821A**+TDR		41500	11.00	13.00	3
3045067	113RP(A,G)042-C	CNRV*4824A**	313*AV060135	40500	12.00	14.00	3
3045119	113RP(A,G)042-C	CNRV*4824A**	315(A,J)AV066135	41000	11.50	14.00	3
3045120	113RP(A,G)042-C	CNRV*4824A**	315(A,J)AV066155	41000	11.50	14.00	3
3124835	113RP(A,G)042-C	CNRV*4824A**	353AAV060120	40500	12.00	14.00	3
3045117	113RP(A,G)042-C	CNRV*4824A**	355(A,C)AV042040	41000	11.20	13.50	3
3045118	113RP(A,G)042-C	CNRV*4824A**	355(A,C)AV060120	41000	11.50	14.00	3
3045116	113RP(A,G)042-C	CNRV*4824A**+TDR		41500	11.00	13.00	3
3045076	113RP(A,G)042-C	CSRH*4212A**	313*AV048070	40000	11.50	13.20	3
3045077	113RP(A,G)042-C	CSRH*4212A**	313*AV048090	40000	11.70	13.75	3
3045078	113RP(A,G)042-C	CSRH*4212A**	313*AV060110	40000	11.70	14.00	3
3045079	113RP(A,G)042-C	CSRH*4212A**	313*AV060135	40000	11.70	14.00	3
3045153	113RP(A,G)042-C	CSRH*4212A**	315(A,J)AV036070	40000	11.20	13.50	3
3045154	113RP(A,G)042-C	CSRH*4212A**	315(A,J)AV048090	40000	11.50	14.00	3
3045155	113RP(A,G)042-C	CSRH*4212A**	315(A,J)AV060110	40000	11.50	14.00	3
3045156	113RP(A,G)042-C	CSRH*4212A**	315(A,J)AV066135	40000	11.50	14.00	3
3045157	113RP(A,G)042-C	CSRH*4212A**	315(A,J)AV066155	40000	11.50	14.00	3
3124848	113RP(A,G)042-C	CSRH*4212A**	353AAV036040	40500	11.70	13.50	3
3124849	113RP(A,G)042-C	CSRH*4212A**	353AAV036060	40500	11.70	13.50	3
3124850	113RP(A,G)042-C	CSRH*4212A**	353AAV036080	40500	11.70	13.50	3
3124851	113RP(A,G)042-C	CSRH*4212A**	353AAV048080	40500	11.70	13.50	3
3124852	113RP(A,G)042-C	CSRH*4212A**	353AAV060100	40500	12.00	14.00	3
3124853	113RP(A,G)042-C	CSRH*4212A**	353AAV060120	40500	12.00	14.00	3
3045147	113RP(A,G)042-C	CSRH*4212A**	355(A,C)AV042040	40000	11.20	13.50	3
3045148	113RP(A,G)042-C	CSRH*4212A**	355(A,C)AV042060	40000	11.20	13.50	3
3045149	113RP(A,G)042-C	CSRH*4212A**	355(A,C)AV042080	40000	11.20	13.50	3
3045150	113RP(A,G)042-C	CSRH*4212A**	355(A,C)AV060080	40000	11.20	13.50	3
3045151	113RP(A,G)042-C	CSRH*4212A**	355(A,C)AV060100	40000	11.50	14.00	3
3045152	113RP(A,G)042-C	CSRH*4212A**	355(A,C)AV060120	40000	11.50	14.00	3
3045146	113RP(A,G)042-C	CSRH*4212A**+TDR		40500	11.00	13.00	3
3045080	113RP(A,G)042-C	CSRH*4812A**	313*AV048070	40500	11.50	13.20	3
3045081	113RP(A,G)042-C	CSRH*4812A**	313*AV048090	40500	12.00	14.00	3
3045082	113RP(A,G)042-C	CSRH*4812A**	313*AV060110	40500	12.00	14.00	3
3045083	113RP(A,G)042-C	CSRH*4812A**	313*AV060135	40500	12.00	14.00	3
3045165	113RP(A,G)042-C	CSRH*4812A**	315(A,J)AV036070	40500	11.20	13.50	3
3045166	113RP(A,G)042-C	CSRH*4812A**	315(A,J)AV048090	40500	11.50	14.00	3
3045167	113RP(A,G)042-C	CSRH*4812A**	315(A,J)AV060110	40500	11.50	14.00	3
3045168	113RP(A,G)042-C	CSRH*4812A**	315(A,J)AV066135	40500	11.50	14.00	3
3045169	113RP(A,G)042-C	CSRH*4812A**	315(A,J)AV066155	40500	11.50	14.00	3
3124854	113RP(A,G)042-C	CSRH*4812A**	353AAV036040	40500	11.70	13.50	3
3124855	113RP(A,G)042-C	CSRH*4812A**	353AAV036060	40500	11.70	13.50	3
3124856	113RP(A,G)042-C	CSRH*4812A**	353AAV036080	40500	11.70	13.50	3
3124857	113RP(A,G)042-C	CSRH*4812A**	353AAV048080	40500	11.70	13.50	3

See notes on pg. 43

COMBINATION RATINGS CONTINUED

ARI Ref. No.	Model Number	Indoor Model	Furnace Model	Capacity	EER	SEER	Phase
3124858	113RP(A,G)042-C	CSRH*4812A**	353AAV060100	40500	12.00	14.00	3
3124859	113RP(A,G)042-C	CSRH*4812A**	353AAV060120	40500	12.00	14.00	3
3045159	113RP(A,G)042-C	CSRH*4812A**	355(A,C)AV042040	40500	11.20	13.50	3
3045160	113RP(A,G)042-C	CSRH*4812A**	355(A,C)AV042060	40500	11.20	13.50	3
3045161	113RP(A,G)042-C	CSRH*4812A**	355(A,C)AV042080	40500	11.20	13.50	3
3045162	113RP(A,G)042-C	CSRH*4812A**	355(A,C)AV060080	40500	11.20	13.50	3
3045163	113RP(A,G)042-C	CSRH*4812A**	355(A,C)AV060100	40500	11.50	14.00	3
3045164	113RP(A,G)042-C	CSRH*4812A**	355(A,C)AV060120	40500	11.50	14.00	3
3045158	113RP(A,G)042-C	CSRH*4812A**+TDR		41000	11.00	13.00	3
3045170	113RP(A,G)042-C	FA4CN(F,C)042		41000	11.00	13.00	3
3045171	113RP(A,G)042-C	FA4CN(F,C)048		41500	11.00	13.00	3
3045172	113RP(A,G)042-C	FC4DN(F,B)042		41500	11.20	13.50	3
3045173	113RP(A,G)042-C	FC4DN(F,B)048		42500	11.50	14.00	3
3045174	113RP(A,G)042-C	FK4DN(B,F)003		40000	11.50	14.00	3
3045175	113RP(A,G)042-C	FK4DN(B,F)005		42000	11.50	14.00	3
3045176	113RP(A,G)042-C	FK4DNB006		42500	11.50	14.00	3
3042181	113RP(A,G)048-D	†CAR**4821A**+TDR		46000	11.00	13.00	3
3042205	113RP(A,G)048-D	CAR**4817A**	315(A,J)AV048090	44500	11.00	13.20	3
3042204	113RP(A,G)048-D	CAR**4817A**+TDR		45000	11.00	13.00	3
3042182	113RP(A,G)048-D	CAR**4821A**	313*AV048090	45500	11.50	13.25	3
3042183	113RP(A,G)048-D	CAR**4821A**	313*AV060110	45500	11.70	13.50	3
3042208	113RP(A,G)048-D	CAR**4821A**	315(A,J)AV060110	45500	11.00	13.20	3
3124860	113RP(A,G)048-D	CAR**4821A**	353AAV060100	45500	11.70	13.50	3
3042206	113RP(A,G)048-D	CAR**4821A**	355(A,C)AV060080	45000	11.00	13.20	3
3042207	113RP(A,G)048-D	CAR**4821A**	355(A,C)AV060100	45500	11.80	13.20	3
3042184	113RP(A,G)048-D	CAR**4824A**	313*AV060135	45500	11.70	13.50	3
3042211	113RP(A,G)048-D	CAR**4824A**	315(A,J)AV066135	45500	11.20	13.50	3
3042212	113RP(A,G)048-D	CAR**4824A**	315(A,J)AV066155	45500	11.50	14.00	3
3124861	113RP(A,G)048-D	CAR**4824A**	353AAV060120	46000	11.70	13.50	3
3042210	113RP(A,G)048-D	CAR**4824A**	355(A,C)AV060120	45000	11.00	13.20	3
3042209	113RP(A,G)048-D	CAR**4824A**+TDR		46500	11.00	13.00	3
3042185	113RP(A,G)048-D	CAR**6021A**	313*AV048090	46500	11.70	13.75	3
3042186	113RP(A,G)048-D	CAR**6021A**	313*AV060110	46500	12.00	14.00	3
3042216	113RP(A,G)048-D	CAR**6021A**	315(A,J)AV060110	46500	11.20	13.50	3
3124862	113RP(A,G)048-D	CAR**6021A**	353AAV060100	47000	12.00	14.00	3
3042214	113RP(A,G)048-D	CAR**6021A**	355(A,C)AV060080	46500	11.20	13.50	3
3042215	113RP(A,G)048-D	CAR**6021A**	355(A,C)AV060100	46500	11.20	13.50	3
3042213	113RP(A,G)048-D	CAR**6021A**+TDR		47500	11.00	13.00	3
3042187	113RP(A,G)048-D	CAR**6024A**	313*AV060135	47000	11.70	13.75	3
3042219	113RP(A,G)048-D	CAR**6024A**	315(A,J)AV066135	46500	11.20	13.50	3
3042220	113RP(A,G)048-D	CAR**6024A**	315(A,J)AV066155	47000	11.50	14.00	3
3124863	113RP(A,G)048-D	CAR**6024A**	353AAV060120	47000	12.00	14.00	3
3042218	113RP(A,G)048-D	CAR**6024A**	355(A,C)AV060120	46500	11.20	13.50	3
3042217	113RP(A,G)048-D	CAR**6024A**+TDR		47500	11.00	13.00	3
3042249	113RP(A,G)048-D	CNRH*4818A**+TDR		45000	11.00	13.00	3
3042192	113RP(A,G)048-D	CNRH*4821A**	313*AV048090	45500	11.50	13.20	3
3042193	113RP(A,G)048-D	CNRH*4821A**	313*AV060110	45500	11.70	13.50	3
3042194	113RP(A,G)048-D	CNRH*4821A**	313*AV060135	45500	11.70	13.50	3
3042237	113RP(A,G)048-D	CNRH*4821A**	315(A,J)AV048090	45000	11.20	13.50	3
3042238	113RP(A,G)048-D	CNRH*4821A**	315(A,J)AV060110	45000	11.20	13.50	3
3042239	113RP(A,G)048-D	CNRH*4821A**	315(A,J)AV066135	45000	11.20	13.50	3
3042240	113RP(A,G)048-D	CNRH*4821A**	315(A,J)AV066155	45500	11.20	13.50	3
3124867	113RP(A,G)048-D	CNRH*4821A**	353AAV060100	46000	11.70	13.50	3
3124868	113RP(A,G)048-D	CNRH*4821A**	353AAV060120	46000	11.70	13.50	3
3042234	113RP(A,G)048-D	CNRH*4821A**	355(A,C)AV060080	45000	11.00	13.20	3
3042235	113RP(A,G)048-D	CNRH*4821A**	355(A,C)AV060100	45000	11.00	13.20	3
3042236	113RP(A,G)048-D	CNRH*4821A**	355(A,C)AV060120	45000	11.00	13.20	3
3042233	113RP(A,G)048-D	CNRH*4821A**+TDR		46000	11.00	13.00	3
3042195	113RP(A,G)048-D	CNRH*6024A**	313*AV048090	47000	11.70	13.75	3
3042196	113RP(A,G)048-D	CNRH*6024A**	313*AV060110	47000	12.00	14.00	3
3042197	113RP(A,G)048-D	CNRH*6024A**	313*AV060135	47000	11.70	13.75	3
3042245	113RP(A,G)048-D	CNRH*6024A**	315(A,J)AV048090	46500	11.20	13.50	3
3042246	113RP(A,G)048-D	CNRH*6024A**	315(A,J)AV060110	46500	11.20	13.50	3
3042247	113RP(A,G)048-D	CNRH*6024A**	315(A,J)AV066135	46500	11.20	13.50	3
3042248	113RP(A,G)048-D	CNRH*6024A**	315(A,J)AV066155	47000	11.50	14.00	3
3124869	113RP(A,G)048-D	CNRH*6024A**	353AAV048080	46500	11.70	13.50	3
3124870	113RP(A,G)048-D	CNRH*6024A**	353AAV060100	46500	11.70	13.50	3
3124871	113RP(A,G)048-D	CNRH*6024A**	353AAV060120	46500	12.00	14.00	3
3042242	113RP(A,G)048-D	CNRH*6024A**	355(A,C)AV060080	46500	11.20	13.50	3
3042243	113RP(A,G)048-D	CNRH*6024A**	355(A,C)AV060100	46500	11.20	13.50	3
3042244	113RP(A,G)048-D	CNRH*6024A**	355(A,C)AV060120	46500	11.20	13.50	3
3042241	113RP(A,G)048-D	CNRH*6024A**+TDR		47500	11.00	13.00	3
3042188	113RP(A,G)048-D	CNRV*4821A**	313*AV048090	45500	11.50	13.20	3
3042189	113RP(A,G)048-D	CNRV*4821A**	313*AV060110	45500	11.70	13.50	3
3042224	113RP(A,G)048-D	CNRV*4821A**	315(A,J)AV060110	45000	11.20	13.50	3
3124864	113RP(A,G)048-D	CNRV*4821A**	353AAV060100	46000	11.70	13.50	3
3042222	113RP(A,G)048-D	CNRV*4821A**	355(A,C)AV060080	45000	11.00	13.20	3
3042223	113RP(A,G)048-D	CNRV*4821A**	355(A,C)AV060100	45000	11.00	13.20	3

See notes on pg. 43

113R

COMBINATION RATINGS CONTINUED

ARI Ref. No.	Model Number	Indoor Model	Furnace Model	Capacity	EER	SEER	Phase
3042221	113RP(A,G)048-D	CNRV*4821A**+TDR		46000	11.00	13.00	3
3042190	113RP(A,G)048-D	CNRV*4824A**	313*AV060135	45500	11.70	13.50	3
3042227	113RP(A,G)048-D	CNRV*4824A**	315(A,J)AV066135	45500	11.20	13.50	3
3042228	113RP(A,G)048-D	CNRV*4824A**	315(A,J)AV066155	46000	11.20	13.50	3
3124865	113RP(A,G)048-D	CNRV*4824A**	353AAV060120	46000	11.70	13.50	3
3042226	113RP(A,G)048-D	CNRV*4824A**	355(A,C)AV060120	45500	11.00	13.20	3
3042225	113RP(A,G)048-D	CNRV*4824A**+TDR		46500	11.00	13.00	3
3042191	113RP(A,G)048-D	CNRV*6024A**	313*AV060135	47000	11.70	13.75	3
3042231	113RP(A,G)048-D	CNRV*6024A**	315(A,J)AV066135	46500	11.20	13.50	3
3042232	113RP(A,G)048-D	CNRV*6024A**	315(A,J)AV066155	47000	11.50	14.00	3
3124866	113RP(A,G)048-D	CNRV*6024A**	353AAV060120	47000	12.00	14.00	3
3042230	113RP(A,G)048-D	CNRV*6024A**	355(A,C)AV060120	46500	11.20	13.50	3
3042229	113RP(A,G)048-D	CNRV*6024A**+TDR		47500	11.00	13.00	3
3042198	113RP(A,G)048-D	CSRH*4812A**	313*AV048090	45500	11.50	13.20	3
3042199	113RP(A,G)048-D	CSRH*4812A**	313*AV060110	45500	11.70	13.50	3
3042200	113RP(A,G)048-D	CSRH*4812A**	313*AV060135	45500	11.70	13.50	3
3042254	113RP(A,G)048-D	CSRH*4812A**	315(A,J)AV048090	45000	11.20	13.50	3
3042255	113RP(A,G)048-D	CSRH*4812A**	315(A,J)AV060110	45000	11.20	13.50	3
3042256	113RP(A,G)048-D	CSRH*4812A**	315(A,J)AV066135	45000	11.20	13.50	3
3042257	113RP(A,G)048-D	CSRH*4812A**	315(A,J)AV066155	45000	11.20	13.50	3
3124872	113RP(A,G)048-D	CSRH*4812A**	353AAV060100	46000	11.70	13.50	3
3124873	113RP(A,G)048-D	CSRH*4812A**	353AAV060120	46500	11.70	13.50	3
3042251	113RP(A,G)048-D	CSRH*4812A**	355(A,C)AV060080	45000	11.00	13.20	3
3042252	113RP(A,G)048-D	CSRH*4812A**	355(A,C)AV060100	45000	11.00	13.20	3
3042253	113RP(A,G)048-D	CSRH*4812A**	355(A,C)AV060120	45000	11.00	13.20	3
3042250	113RP(A,G)048-D	CSRH*4812A**+TDR		46000	11.00	13.00	3
3042201	113RP(A,G)048-D	CSRH*6012A**	313*AV048090	47000	11.70	13.75	3
3042202	113RP(A,G)048-D	CSRH*6012A**	313*AV060110	47000	12.00	14.00	3
3042203	113RP(A,G)048-D	CSRH*6012A**	313*AV060135	47000	11.70	13.75	3
3042262	113RP(A,G)048-D	CSRH*6012A**	315(A,J)AV048090	46500	11.20	13.50	3
3042263	113RP(A,G)048-D	CSRH*6012A**	315(A,J)AV060110	46500	11.20	13.50	3
3042264	113RP(A,G)048-D	CSRH*6012A**	315(A,J)AV066135	46500	11.50	14.00	3
3042265	113RP(A,G)048-D	CSRH*6012A**	315(A,J)AV066155	46500	11.50	14.00	3
3124874	113RP(A,G)048-D	CSRH*6012A**	353AAV048080	46500	11.70	13.50	3
3124875	113RP(A,G)048-D	CSRH*6012A**	353AAV060100	46500	12.00	14.00	3
3124876	113RP(A,G)048-D	CSRH*6012A**	353AAV060120	46500	12.00	14.00	3
3042259	113RP(A,G)048-D	CSRH*6012A**	355(A,C)AV060080	46500	11.20	13.50	3
3042260	113RP(A,G)048-D	CSRH*6012A**	355(A,C)AV060100	46500	11.20	13.50	3
3042261	113RP(A,G)048-D	CSRH*6012A**	355(A,C)AV060120	46500	11.20	13.50	3
3042258	113RP(A,G)048-D	CSRH*6012A**+TDR		47500	11.00	13.00	3
3042266	113RP(A,G)048-D	FA4CN(F,C)048		47000	11.00	13.00	3
3042267	113RP(A,G)048-D	FC4DN(F,B)048		47500	11.20	13.50	3
3042268	113RP(A,G)048-D	FC4DN(F,B)060		48500	11.50	14.00	3
3042269	113RP(A,G)048-D	FK4DN(B,F)005		47000	11.50	14.00	3
3042270	113RP(A,G)048-D	FK4DNB006		47500	11.50	14.00	3
3042361	113RP(A,G)060-H	†CAR**6024A**+TDR		56000	11.00	13.00	3
3042362	113RP(A,G)060-H	CAR**6021A**	313*AV048090	54500	11.00	13.00	3
3042363	113RP(A,G)060-H	CAR**6021A**	313*AV060110	55000	11.20	13.25	3
3124877	113RP(A,G)060-H	CAR**6021A**	353AAV060100	55500	11.00	13.25	3
3042372	113RP(A,G)060-H	CAR**6021A**+TDR		55500	11.00	13.00	3
3042364	113RP(A,G)060-H	CAR**6024A**	313*AV060135	55500	11.20	13.25	3
3042373	113RP(A,G)060-H	CAR**6024A**	315(A,J)AV066135	55000	11.20	13.20	3
3042374	113RP(A,G)060-H	CAR**6024A**	315(A,J)AV066155	56000	11.20	13.20	3
3124878	113RP(A,G)060-H	CAR**6024A**	353AAV060120	55500	11.00	13.50	3
3042366	113RP(A,G)060-H	CNRH*6024A**	313*AV048090	55000	11.00	13.00	3
3042367	113RP(A,G)060-H	CNRH*6024A**	313*AV060110	55500	11.20	13.25	3
3042368	113RP(A,G)060-H	CNRH*6024A**	313*AV060135	55500	11.20	13.25	3
3042377	113RP(A,G)060-H	CNRH*6024A**	315(A,J)AV066135	55000	11.20	13.20	3
3042378	113RP(A,G)060-H	CNRH*6024A**	315(A,J)AV066155	55500	11.50	13.50	3
3124880	113RP(A,G)060-H	CNRH*6024A**	353AAV060100	55500	11.00	13.25	3
3124881	113RP(A,G)060-H	CNRH*6024A**	353AAV060120	55500	11.00	13.50	3
3042365	113RP(A,G)060-H	CNRV*6024A**	313*AV060135	55500	11.20	13.25	3
3042375	113RP(A,G)060-H	CNRV*6024A**	315(A,J)AV066135	55500	11.00	13.20	3
3042376	113RP(A,G)060-H	CNRV*6024A**	315(A,J)AV066155	55500	11.50	13.50	3
3124879	113RP(A,G)060-H	CNRV*6024A**	353AAV060120	55500	11.00	13.50	3
3042369	113RP(A,G)060-H	CSRH*6012A**	313*AV048090	55000	11.00	13.00	3
3042370	113RP(A,G)060-H	CSRH*6012A**	313*AV060110	56000	11.20	13.25	3
3042371	113RP(A,G)060-H	CSRH*6012A**	313*AV060135	56000	11.20	13.25	3
3042379	113RP(A,G)060-H	CSRH*6012A**	315(A,J)AV066135	56000	11.20	13.20	3
3042380	113RP(A,G)060-H	CSRH*6012A**	315(A,J)AV066155	56000	11.50	13.50	3
3124882	113RP(A,G)060-H	CSRH*6012A**	353AAV060100	56000	11.00	13.50	3
3124883	113RP(A,G)060-H	CSRH*6012A**	353AAV060120	56000	11.00	13.50	3
3042381	113RP(A,G)060-H	FA4CN(B,C)060		56000	11.00	13.00	3
3042382	113RP(A,G)060-H	FC4DN(F,B)060		56000	11.20	13.20	3
3042383	113RP(A,G)060-H	FK4DNB006		56500	11.70	13.50	3
3044704	113RTA036-D	†CAR**3617A**+TDR		33800	11.20	13.00	3
3044705	113RTA036-D	CAR**3614A**	313*AV024045	33400	11.20	13.20	3

See notes on pg. 43

COMBINATION RATINGS CONTINUED

ARI Ref. No.	Model Number	Indoor Model	Furnace Model	Capacity	EER	SEER	Phase
3044733	113RTA036-D	CAR**3614A**	315(A,J)AV036070	33000	11.70	13.50	3
3044732	113RTA036-D	CAR**3614A**+TDR		33000	11.20	13.00	3
3044706	113RTA036-D	CAR**3617A**	313*AV048070	34600	11.70	13.50	3
3044735	113RTA036-D	CAR**3617A**	315(A,J)AV048090	33600	12.00	14.00	3
3044734	113RTA036-D	CAR**3617A**	355(A,C)AV042060	33800	11.70	13.50	3
3044707	113RTA036-D	CAR**3621A**	313*AV048090	35000	12.00	14.00	3
3044708	113RTA036-D	CAR**3621A**	313*AV060110	35200	12.00	14.00	3
3044739	113RTA036-D	CAR**3621A**	315(A,J)AV060110	33600	12.00	14.00	3
3044736	113RTA036-D	CAR**3621A**	355(A,C)AV042080	33600	11.70	13.50	3
3044737	113RTA036-D	CAR**3621A**	355(A,C)AV060080	33600	12.00	14.00	3
3044738	113RTA036-D	CAR**3621A**	355(A,C)AV060100	33800	12.00	14.00	3
3044709	113RTA036-D	CAR**4221A**	313*AV048090	35200	12.00	14.00	3
3044710	113RTA036-D	CAR**4221A**	313*AV060110	35400	12.00	14.00	3
3044743	113RTA036-D	CAR**4221A**	315(A,J)AV060110	34000	12.00	14.00	3
3044740	113RTA036-D	CAR**4221A**	355(A,C)AV042080	34000	12.00	14.00	3
3044741	113RTA036-D	CAR**4221A**	355(A,C)AV060080	33800	12.00	14.00	3
3044742	113RTA036-D	CAR**4221A**	355(A,C)AV060100	34000	12.00	14.00	3
3044747	113RTA036-D	CAR**4224A**	315(A,J)AV066135	34000	12.00	14.00	3
3044748	113RTA036-D	CAR**4224A**	315(A,J)AV066155	34000	12.00	14.00	3
3044745	113RTA036-D	CAR**4224A**	355(A,C)AV042040	33800	11.70	13.50	3
3044746	113RTA036-D	CAR**4224A**	355(A,C)AV060120	34000	12.00	14.00	3
3044744	113RTA036-D	CAR**4224A**+TDR		34200	11.20	13.00	3
3044786	113RTA036-D	CNRH*3618A**+TDR		33800	11.20	13.00	3
3044716	113RTA036-D	CNRH*3617A**	313*AV024045	34400	11.20	13.20	3
3044717	113RTA036-D	CNRH*3617A**	313*AV048070	34400	11.70	13.50	3
3044718	113RTA036-D	CNRH*3617A**	313*AV048090	34600	12.00	14.00	3
3044719	113RTA036-D	CNRH*3617A**	313*AV060110	34800	12.00	14.00	3
3044769	113RTA036-D	CNRH*3617A**	315(A,J)AV036070	33600	11.70	13.50	3
3044770	113RTA036-D	CNRH*3617A**	315(A,J)AV048090	33600	11.70	13.50	3
3044771	113RTA036-D	CNRH*3617A**	315(A,J)AV060110	33600	11.70	13.50	3
3044772	113RTA036-D	CNRH*3617A**	315(A,J)AV066135	33600	12.00	14.00	3
3044773	113RTA036-D	CNRH*3617A**	315(A,J)AV066155	33600	12.00	14.00	3
3044763	113RTA036-D	CNRH*3617A**	355(A,C)AV042040	33600	11.70	13.50	3
3044764	113RTA036-D	CNRH*3617A**	355(A,C)AV042060	33600	11.70	13.50	3
3044765	113RTA036-D	CNRH*3617A**	355(A,C)AV042080	33600	11.70	13.50	3
3044766	113RTA036-D	CNRH*3617A**	355(A,C)AV060080	33600	11.70	13.50	3
3044767	113RTA036-D	CNRH*3617A**	355(A,C)AV060100	33600	11.70	13.50	3
3044768	113RTA036-D	CNRH*3617A**	355(A,C)AV060120	33600	11.70	13.50	3
3044762	113RTA036-D	CNRH*3617A**+TDR		33800	11.20	13.00	3
3044720	113RTA036-D	CNRH*4221A**	313*AV024045	34800	11.50	13.20	3
3044721	113RTA036-D	CNRH*4221A**	313*AV048070	35000	11.70	13.50	3
3044722	113RTA036-D	CNRH*4221A**	313*AV048090	35200	12.00	14.00	3
3044723	113RTA036-D	CNRH*4221A**	313*AV060110	35400	12.00	14.00	3
3044781	113RTA036-D	CNRH*4221A**	315(A,J)AV036070	33800	11.70	13.50	3
3044782	113RTA036-D	CNRH*4221A**	315(A,J)AV048090	34000	12.00	14.00	3
3044783	113RTA036-D	CNRH*4221A**	315(A,J)AV060110	34000	12.00	14.00	3
3044784	113RTA036-D	CNRH*4221A**	315(A,J)AV066135	34000	12.00	14.00	3
3044785	113RTA036-D	CNRH*4221A**	315(A,J)AV066155	34000	12.00	14.00	3
3044775	113RTA036-D	CNRH*4221A**	355(A,C)AV042040	33800	11.70	13.50	3
3044776	113RTA036-D	CNRH*4221A**	355(A,C)AV042060	34000	12.00	14.00	3
3044777	113RTA036-D	CNRH*4221A**	355(A,C)AV042080	33800	11.70	13.50	3
3044778	113RTA036-D	CNRH*4221A**	355(A,C)AV060080	33800	12.00	14.00	3
3044779	113RTA036-D	CNRH*4221A**	355(A,C)AV060100	34000	12.00	14.00	3
3044780	113RTA036-D	CNRH*4221A**	355(A,C)AV060120	34000	12.00	14.00	3
3044774	113RTA036-D	CNRH*4221A**+TDR		34200	11.20	13.00	3
3044711	113RTA036-D	CNRV*3617A**	313*AV048070	34400	11.70	13.50	3
3044751	113RTA036-D	CNRV*3617A**	315(A,J)AV048090	33600	11.70	13.50	3
3044750	113RTA036-D	CNRV*3617A**	355(A,C)AV042060	33600	11.70	13.50	3
3044749	113RTA036-D	CNRV*3617A**+TDR		33800	11.20	13.00	3
3044712	113RTA036-D	CNRV*3621A**	313*AV048090	34600	12.00	14.00	3
3044713	113RTA036-D	CNRV*3621A**	313*AV060110	34800	12.00	14.00	3
3044756	113RTA036-D	CNRV*3621A**	315(A,J)AV060110	33600	11.70	13.50	3
3044753	113RTA036-D	CNRV*3621A**	355(A,C)AV042080	33600	11.70	13.50	3
3044754	113RTA036-D	CNRV*3621A**	355(A,C)AV060080	33600	11.70	13.50	3
3044755	113RTA036-D	CNRV*3621A**	355(A,C)AV060100	33600	11.70	13.50	3
3044752	113RTA036-D	CNRV*3621A**+TDR		33800	11.20	13.00	3
3044714	113RTA036-D	CNRV*4221A**	313*AV048090	35200	12.00	14.00	3
3044715	113RTA036-D	CNRV*4221A**	313*AV060110	35400	12.00	14.00	3
3044761	113RTA036-D	CNRV*4221A**	315(A,J)AV060110	34000	12.00	14.00	3
3044758	113RTA036-D	CNRV*4221A**	355(A,C)AV042080	33800	11.70	13.50	3
3044759	113RTA036-D	CNRV*4221A**	355(A,C)AV060080	33800	12.00	14.00	3
3044760	113RTA036-D	CNRV*4221A**	355(A,C)AV060100	34000	12.00	14.00	3
3044757	113RTA036-D	CNRV*4221A**+TDR		34200	11.20	13.00	3
3044724	113RTA036-D	CSRH*3612A**	313*AV024045	34400	11.20	13.20	3
3044725	113RTA036-D	CSRH*3612A**	313*AV048070	34400	11.70	13.50	3
3044726	113RTA036-D	CSRH*3612A**	313*AV048090	34600	12.00	14.00	3
3044727	113RTA036-D	CSRH*3612A**	313*AV060110	34800	12.00	14.00	3
3044794	113RTA036-D	CSRH*3612A**	315(A,J)AV036070	33600	12.00	14.00	3
3044795	113RTA036-D	CSRH*3612A**	315(A,J)AV048090	33600	12.00	14.00	3

113R

See notes on pg. 43

COMBINATION RATINGS CONTINUED

ARI Ref. No.	Model Number	Indoor Model	Furnace Model	Capacity	EER	SEER	Phase
3044796	113RTA036-D	CSRH*3612A**	315(A,J)AV060110	33600	12.00	14.00	3
3044797	113RTA036-D	CSRH*3612A**	315(A,J)AV066135	33600	12.00	14.00	3
3044798	113RTA036-D	CSRH*3612A**	315(A,J)AV066155	33600	12.00	14.00	3
3044788	113RTA036-D	CSRH*3612A**	355(A,C)AV042040	33600	12.00	14.00	3
3044789	113RTA036-D	CSRH*3612A**	355(A,C)AV042060	33600	12.00	14.00	3
3044790	113RTA036-D	CSRH*3612A**	355(A,C)AV042080	33600	12.00	14.00	3
3044791	113RTA036-D	CSRH*3612A**	355(A,C)AV060080	33800	12.00	14.00	3
3044792	113RTA036-D	CSRH*3612A**	355(A,C)AV060100	33600	12.00	14.00	3
3044793	113RTA036-D	CSRH*3612A**	355(A,C)AV060120	33600	12.00	14.00	3
3044787	113RTA036-D	CSRH*3612A** + TDR		33800	11.20	13.00	3
3044728	113RTA036-D	CSRH*4212A**	313*AV024045	34800	11.50	13.20	3
3044729	113RTA036-D	CSRH*4212A**	313*AV048070	35000	11.70	13.50	3
3044730	113RTA036-D	CSRH*4212A**	313*AV048090	35200	12.00	14.00	3
3044731	113RTA036-D	CSRH*4212A**	313*AV060110	35400	12.00	14.00	3
3044806	113RTA036-D	CSRH*4212A**	315(A,J)AV036070	33800	12.00	14.00	3
3044807	113RTA036-D	CSRH*4212A**	315(A,J)AV048090	34000	12.00	14.00	3
3044808	113RTA036-D	CSRH*4212A**	315(A,J)AV060110	34000	12.00	14.00	3
3044809	113RTA036-D	CSRH*4212A**	315(A,J)AV066135	34000	12.00	14.00	3
3044810	113RTA036-D	CSRH*4212A**	315(A,J)AV066155	34000	12.00	14.00	3
3044800	113RTA036-D	CSRH*4212A**	355(A,C)AV042040	33800	12.00	14.00	3
3044801	113RTA036-D	CSRH*4212A**	355(A,C)AV042060	33800	12.00	14.00	3
3044802	113RTA036-D	CSRH*4212A**	355(A,C)AV042080	33800	12.00	14.00	3
3044803	113RTA036-D	CSRH*4212A**	355(A,C)AV060080	33800	12.00	14.00	3
3044804	113RTA036-D	CSRH*4212A**	355(A,C)AV060100	34000	12.00	14.00	3
3044805	113RTA036-D	CSRH*4212A**	355(A,C)AV060120	34000	12.00	14.00	3
3044799	113RTA036-D	CSRH*4212A** + TDR		34200	11.20	13.00	3
3044811	113RTA036-D	FA4CN(F,C)036		33800	11.00	13.00	3
3044812	113RTA036-D	FA4CN(F,C)042		34600	11.20	13.00	3
3044813	113RTA036-D	FC4DN(F,B)036		34600	11.70	13.50	3
3044814	113RTA036-D	FC4DN(F,B)042		35400	11.70	13.50	3
3044815	113RTA036-D	FF1ENE036		34400	11.20	13.00	3
3044818	113RTA036-D	FK4DN(B,F)003		34400	12.00	14.00	3
3044819	113RTA036-D	FK4DN(B,F)005		35800	12.00	14.00	3
3044820	113RTA036-D	FK4DNB006		36200	12.00	14.00	3
3044816	113RTA036-D	FK4DNF001		33800	11.70	13.50	3
3044817	113RTA036-D	FK4DNF002		34200	11.70	13.50	3
3044821	113RTA042-C	†CAR**4221A** + TDR		40500	11.00	13.00	3
3044822	113RTA042-C	CAR**4221A**	313*AV048090	40000	11.70	13.50	3
3044823	113RTA042-C	CAR**4221A**	313*AV060110	40000	11.70	14.00	3
3044853	113RTA042-C	CAR**4221A**	315(A,J)AV060110	40500	11.20	13.50	3
3044850	113RTA042-C	CAR**4221A**	355(A,C)AV042080	40000	11.20	13.50	3
3044851	113RTA042-C	CAR**4221A**	355(A,C)AV060080	40000	11.20	13.50	3
3044852	113RTA042-C	CAR**4221A**	355(A,C)AV060100	40000	11.20	13.50	3
3044824	113RTA042-C	CAR**4224A**	313*AV060135	40000	11.70	14.00	3
3044857	113RTA042-C	CAR**4224A**	315(A,J)AV066135	40500	11.50	14.00	3
3044858	113RTA042-C	CAR**4224A**	315(A,J)AV066155	40500	11.50	14.00	3
3044855	113RTA042-C	CAR**4224A**	355(A,C)AV042040	40000	11.20	13.50	3
3044856	113RTA042-C	CAR**4224A**	355(A,C)AV060120	40000	11.20	13.50	3
3044854	113RTA042-C	CAR**4224A** + TDR		40500	11.00	13.00	3
3044825	113RTA042-C	CAR**4817A**	313*AV048070	39500	11.50	13.20	3
3044861	113RTA042-C	CAR**4817A**	315(A,J)AV048090	40000	11.50	14.00	3
3044860	113RTA042-C	CAR**4817A**	355(A,C)AV042060	40000	11.20	13.50	3
3044859	113RTA042-C	CAR**4817A** + TDR		40500	11.00	13.00	3
3044826	113RTA042-C	CAR**4821A**	313*AV048090	40500	12.00	14.00	3
3044827	113RTA042-C	CAR**4821A**	313*AV060110	40500	12.00	14.00	3
3044866	113RTA042-C	CAR**4821A**	315(A,J)AV060110	41000	11.50	14.00	3
3044863	113RTA042-C	CAR**4821A**	355(A,C)AV042080	40500	11.20	13.50	3
3044864	113RTA042-C	CAR**4821A**	355(A,C)AV060080	41000	11.20	13.50	3
3044865	113RTA042-C	CAR**4821A**	355(A,C)AV060100	41000	11.50	14.00	3
3044862	113RTA042-C	CAR**4821A** + TDR		41500	11.00	13.00	3
3044828	113RTA042-C	CAR**4824A**	313*AV060135	40500	12.00	14.00	3
3044870	113RTA042-C	CAR**4824A**	315(A,J)AV066135	41000	11.50	14.00	3
3044871	113RTA042-C	CAR**4824A**	315(A,J)AV066155	41000	11.50	14.00	3
3044868	113RTA042-C	CAR**4824A**	355(A,C)AV042040	40500	11.20	13.50	3
3044869	113RTA042-C	CAR**4824A**	355(A,C)AV060120	41000	11.50	14.00	3
3044867	113RTA042-C	CAR**4824A** + TDR		41500	11.00	13.00	3
3044911	113RTA042-C	CNRF*4818A** + TDR		40500	11.00	13.00	3
3044834	113RTA042-C	CNRH*4221A**	313*AV048070	39500	11.20	13.00	3
3044835	113RTA042-C	CNRH*4221A**	313*AV048090	40000	11.70	13.75	3
3044836	113RTA042-C	CNRH*4221A**	313*AV060110	40000	11.70	14.00	3
3044837	113RTA042-C	CNRH*4221A**	313*AV060135	40000	11.70	14.00	3
3044894	113RTA042-C	CNRH*4221A**	315(A,J)AV036070	40000	11.20	13.50	3
3044895	113RTA042-C	CNRH*4221A**	315(A,J)AV048090	40000	11.50	14.00	3
3044896	113RTA042-C	CNRH*4221A**	315(A,J)AV060110	40000	11.50	14.00	3
3044897	113RTA042-C	CNRH*4221A**	315(A,J)AV066135	40000	11.50	14.00	3
3044898	113RTA042-C	CNRH*4221A**	315(A,J)AV066155	40000	11.50	14.00	3
3044888	113RTA042-C	CNRH*4221A**	355(A,C)AV042040	40000	11.20	13.50	3
3044889	113RTA042-C	CNRH*4221A**	355(A,C)AV042060	40000	11.20	13.50	3

See notes on pg. 43

COMBINATION RATINGS CONTINUED

ARI Ref. No.	Model Number	Indoor Model	Furnace Model	Capacity	EER	SEER	Phase
3044890	113RTA042-C	CNRH*4221A**	355(A,C)AV042080	40000	11.20	13.50	3
3044891	113RTA042-C	CNRH*4221A**	355(A,C)AV060080	40000	11.20	13.50	3
3044892	113RTA042-C	CNRH*4221A**	355(A,C)AV060100	40000	11.50	14.00	3
3044893	113RTA042-C	CNRH*4221A**	355(A,C)AV060120	40000	11.50	14.00	3
3044887	113RTA042-C	CNRH*4221A**+TDR		40500	11.00	13.00	3
3044838	113RTA042-C	CNRH*4821A**	313*AV048070	40500	11.50	13.20	3
3044839	113RTA042-C	CNRH*4821A**	313*AV048090	40500	12.00	14.00	3
3044840	113RTA042-C	CNRH*4821A**	313*AV060110	40500	12.00	14.00	3
3044841	113RTA042-C	CNRH*4821A**	313*AV060135	40500	12.00	14.00	3
3044906	113RTA042-C	CNRH*4821A**	315(A,J)AV036070	41000	11.20	13.50	3
3044907	113RTA042-C	CNRH*4821A**	315(A,J)AV048090	41000	11.50	14.00	3
3044908	113RTA042-C	CNRH*4821A**	315(A,J)AV060110	41000	11.50	14.00	3
3044909	113RTA042-C	CNRH*4821A**	315(A,J)AV066135	41000	11.50	14.00	3
3044910	113RTA042-C	CNRH*4821A**	315(A,J)AV066155	41000	11.50	14.00	3
3044900	113RTA042-C	CNRH*4821A**	355(A,C)AV042040	41000	11.20	13.50	3
3044901	113RTA042-C	CNRH*4821A**	355(A,C)AV042060	41000	11.20	13.50	3
3044902	113RTA042-C	CNRH*4821A**	355(A,C)AV042080	41000	11.20	13.50	3
3044903	113RTA042-C	CNRH*4821A**	355(A,C)AV060080	41000	11.20	13.50	3
3044904	113RTA042-C	CNRH*4821A**	355(A,C)AV060100	41000	11.50	14.00	3
3044905	113RTA042-C	CNRH*4821A**	355(A,C)AV060120	41000	11.50	14.00	3
3044899	113RTA042-C	CNRH*4821A**+TDR		41500	11.00	13.00	3
3044829	113RTA042-C	CNRV*4221A**	313*AV048090	40000	11.70	13.50	3
3044830	113RTA042-C	CNRV*4221A**	313*AV060110	40000	11.70	13.50	3
3044876	113RTA042-C	CNRV*4221A**	315(A,J)AV060110	40000	11.50	14.00	3
3044873	113RTA042-C	CNRV*4221A**	355(A,C)AV042080	40000	11.20	13.50	3
3044874	113RTA042-C	CNRV*4221A**	355(A,C)AV060080	40000	11.20	13.50	3
3044875	113RTA042-C	CNRV*4221A**	355(A,C)AV060100	40000	11.50	14.00	3
3044872	113RTA042-C	CNRV*4221A**+TDR		40500	11.00	13.00	3
3044831	113RTA042-C	CNRV*4821A**	313*AV048090	40500	12.00	14.00	3
3044832	113RTA042-C	CNRV*4821A**	313*AV060110	40500	12.00	14.00	3
3044881	113RTA042-C	CNRV*4821A**	315(A,J)AV060110	41000	11.50	14.00	3
3044878	113RTA042-C	CNRV*4821A**	355(A,C)AV042080	41000	11.20	13.50	3
3044879	113RTA042-C	CNRV*4821A**	355(A,C)AV060080	41000	11.20	13.50	3
3044880	113RTA042-C	CNRV*4821A**	355(A,C)AV060100	41000	11.50	14.00	3
3044877	113RTA042-C	CNRV*4821A**+TDR		41500	11.00	13.00	3
3044833	113RTA042-C	CNRV*4824A**	313*AV060135	40500	12.00	14.00	3
3044885	113RTA042-C	CNRV*4824A**	315(A,J)AV066135	41000	11.50	14.00	3
3044886	113RTA042-C	CNRV*4824A**	315(A,J)AV066155	41000	11.50	14.00	3
3044883	113RTA042-C	CNRV*4824A**	355(A,C)AV042040	41000	11.20	13.50	3
3044884	113RTA042-C	CNRV*4824A**	355(A,C)AV060120	41000	11.50	14.00	3
3044882	113RTA042-C	CNRV*4824A**+TDR		41500	11.00	13.00	3
3044842	113RTA042-C	CSRH*4212A**	313*AV048070	40000	11.50	13.20	3
3044843	113RTA042-C	CSRH*4212A**	313*AV048090	40000	11.70	13.75	3
3044844	113RTA042-C	CSRH*4212A**	313*AV060110	40000	11.70	14.00	3
3044845	113RTA042-C	CSRH*4212A**	313*AV060135	40000	11.70	14.00	3
3044919	113RTA042-C	CSRH*4212A**	315(A,J)AV036070	40000	11.20	13.50	3
3044920	113RTA042-C	CSRH*4212A**	315(A,J)AV048090	40000	11.50	14.00	3
3044921	113RTA042-C	CSRH*4212A**	315(A,J)AV060110	40000	11.50	14.00	3
3044922	113RTA042-C	CSRH*4212A**	315(A,J)AV066135	40000	11.50	14.00	3
3044923	113RTA042-C	CSRH*4212A**	315(A,J)AV066155	40000	11.50	14.00	3
3044913	113RTA042-C	CSRH*4212A**	355(A,C)AV042040	40000	11.20	13.50	3
3044914	113RTA042-C	CSRH*4212A**	355(A,C)AV042060	40000	11.20	13.50	3
3044915	113RTA042-C	CSRH*4212A**	355(A,C)AV042080	40000	11.20	13.50	3
3044916	113RTA042-C	CSRH*4212A**	355(A,C)AV060080	40000	11.20	13.50	3
3044917	113RTA042-C	CSRH*4212A**	355(A,C)AV060100	40000	11.50	14.00	3
3044918	113RTA042-C	CSRH*4212A**	355(A,C)AV060120	40000	11.50	14.00	3
3044912	113RTA042-C	CSRH*4212A**+TDR		40500	11.00	13.00	3
3044846	113RTA042-C	CSRH*4812A**	313*AV048070	40500	11.50	13.20	3
3044847	113RTA042-C	CSRH*4812A**	313*AV048090	40500	12.00	14.00	3
3044848	113RTA042-C	CSRH*4812A**	313*AV060110	40500	12.00	14.00	3
3044849	113RTA042-C	CSRH*4812A**	313*AV060135	40500	12.00	14.00	3
3044931	113RTA042-C	CSRH*4812A**	315(A,J)AV036070	40500	11.20	13.50	3
3044932	113RTA042-C	CSRH*4812A**	315(A,J)AV048090	40500	11.50	14.00	3
3044933	113RTA042-C	CSRH*4812A**	315(A,J)AV060110	40500	11.50	14.00	3
3044934	113RTA042-C	CSRH*4812A**	315(A,J)AV066135	40500	11.50	14.00	3
3044935	113RTA042-C	CSRH*4812A**	315(A,J)AV066155	40500	11.50	14.00	3
3044925	113RTA042-C	CSRH*4812A**	355(A,C)AV042040	40500	11.20	13.50	3
3044926	113RTA042-C	CSRH*4812A**	355(A,C)AV042060	40500	11.20	13.50	3
3044927	113RTA042-C	CSRH*4812A**	355(A,C)AV042080	40500	11.20	13.50	3
3044928	113RTA042-C	CSRH*4812A**	355(A,C)AV060080	40500	11.20	13.50	3
3044929	113RTA042-C	CSRH*4812A**	355(A,C)AV060100	40500	11.50	14.00	3
3044930	113RTA042-C	CSRH*4812A**	355(A,C)AV060120	40500	11.50	14.00	3
3044924	113RTA042-C	CSRH*4812A**+TDR		41000	11.00	13.00	3
3044936	113RTA042-C	FA4CN(F,C)042		41000	11.00	13.00	3
3044937	113RTA042-C	FA4CN(F,C)048		41500	11.00	13.00	3
3044938	113RTA042-C	FC4DN(F,B)042		41500	11.20	13.50	3
3044939	113RTA042-C	FC4DN(F,B)048		42500	11.50	14.00	3
3044940	113RTA042-C	FK4DN(B,F)003		40000	11.50	14.00	3
3044941	113RTA042-C	FK4DN(B,F)005		42000	11.50	14.00	3

113R

See notes on pg. 43

COMBINATION RATINGS CONTINUED

ARI Ref. No.	Model Number	Indoor Model	Furnace Model	Capacity	EER	SEER	Phase
3044942	113RTA042-C	FK4DNB006		42500	11.50	14.00	3
3044943	113RTA048-C	†CAR**4821A**+TDR		46000	11.00	13.00	3
3044967	113RTA048-C	CAR**4817A**	315(A,J)AV048090	44500	11.00	13.20	3
3044966	113RTA048-C	CAR**4817A**+TDR		45000	11.00	13.00	3
3044944	113RTA048-C	CAR**4821A**	313*AV048090	45500	11.50	13.25	3
3044945	113RTA048-C	CAR**4821A**	313*AV060110	45500	11.70	13.50	3
3044970	113RTA048-C	CAR**4821A**	315(A,J)AV060110	45500	11.00	13.20	3
3044968	113RTA048-C	CAR**4821A**	355(A,C)AV060080	45000	11.00	13.20	3
3044969	113RTA048-C	CAR**4821A**	355(A,C)AV060100	45500	11.80	13.20	3
3044946	113RTA048-C	CAR**4824A**	313*AV060135	45500	11.70	13.50	3
3044973	113RTA048-C	CAR**4824A**	315(A,J)AV066135	45500	11.20	13.50	3
3044974	113RTA048-C	CAR**4824A**	315(A,J)AV066155	45500	11.50	14.00	3
3044972	113RTA048-C	CAR**4824A**	355(A,C)AV060120	45000	11.00	13.20	3
3044971	113RTA048-C	CAR**4824A**+TDR		46500	11.00	13.00	3
3044947	113RTA048-C	CAR**6021A**	313*AV048090	46500	11.70	13.75	3
3044948	113RTA048-C	CAR**6021A**	313*AV060110	46500	12.00	14.00	3
3044978	113RTA048-C	CAR**6021A**	315(A,J)AV060110	46500	11.20	13.50	3
3044976	113RTA048-C	CAR**6021A**	355(A,C)AV060080	46500	11.20	13.50	3
3044977	113RTA048-C	CAR**6021A**	355(A,C)AV060100	46500	11.20	13.50	3
3044975	113RTA048-C	CAR**6021A**+TDR		47500	11.00	13.00	3
3044949	113RTA048-C	CAR**6024A**	313*AV060135	47000	11.70	13.75	3
3044981	113RTA048-C	CAR**6024A**	315(A,J)AV066135	46500	11.20	13.50	3
3044982	113RTA048-C	CAR**6024A**	315(A,J)AV066155	47000	11.50	14.00	3
3044980	113RTA048-C	CAR**6024A**	355(A,C)AV060120	46500	11.20	13.50	3
3044979	113RTA048-C	CAR**6024A**+TDR		47500	11.00	13.00	3
3045011	113RTA048-C	CNRH*4818A**+TDR		45000	11.00	13.00	3
3044954	113RTA048-C	CNRH*4821A**	313*AV048090	45500	11.50	13.20	3
3044955	113RTA048-C	CNRH*4821A**	313*AV060110	45500	11.70	13.50	3
3044956	113RTA048-C	CNRH*4821A**	313*AV060135	45500	11.70	13.50	3
3044999	113RTA048-C	CNRH*4821A**	315(A,J)AV048090	45000	11.20	13.50	3
3045000	113RTA048-C	CNRH*4821A**	315(A,J)AV060110	45000	11.20	13.50	3
3045001	113RTA048-C	CNRH*4821A**	315(A,J)AV066135	45000	11.20	13.50	3
3045002	113RTA048-C	CNRH*4821A**	315(A,J)AV066155	45500	11.20	13.50	3
3044996	113RTA048-C	CNRH*4821A**	355(A,C)AV060080	45000	11.00	13.20	3
3044997	113RTA048-C	CNRH*4821A**	355(A,C)AV060100	45000	11.00	13.20	3
3044998	113RTA048-C	CNRH*4821A**	355(A,C)AV060120	45000	11.00	13.20	3
3044995	113RTA048-C	CNRH*4821A**+TDR		46000	11.00	13.00	3
3044957	113RTA048-C	CNRH*6024A**	313*AV048090	47000	11.70	13.75	3
3044958	113RTA048-C	CNRH*6024A**	313*AV060110	47000	12.00	14.00	3
3044959	113RTA048-C	CNRH*6024A**	313*AV060135	47000	11.70	13.75	3
3045007	113RTA048-C	CNRH*6024A**	315(A,J)AV048090	46500	11.20	13.50	3
3045008	113RTA048-C	CNRH*6024A**	315(A,J)AV060110	46500	11.20	13.50	3
3045009	113RTA048-C	CNRH*6024A**	315(A,J)AV066135	46500	11.20	13.50	3
3045010	113RTA048-C	CNRH*6024A**	315(A,J)AV066155	47000	11.50	14.00	3
3045004	113RTA048-C	CNRH*6024A**	355(A,C)AV060080	46500	11.20	13.50	3
3045005	113RTA048-C	CNRH*6024A**	355(A,C)AV060100	46500	11.20	13.50	3
3045006	113RTA048-C	CNRH*6024A**	355(A,C)AV060120	46500	11.20	13.50	3
3045003	113RTA048-C	CNRH*6024A**+TDR		47500	11.00	13.00	3
3044950	113RTA048-C	CNRV*4821A**	313*AV048090	45500	11.50	13.20	3
3044951	113RTA048-C	CNRV*4821A**	313*AV060110	45500	11.70	13.50	3
3044986	113RTA048-C	CNRV*4821A**	315(A,J)AV060110	45000	11.20	13.50	3
3044984	113RTA048-C	CNRV*4821A**	355(A,C)AV060080	45000	11.00	13.20	3
3044985	113RTA048-C	CNRV*4821A**	355(A,C)AV060100	45000	11.00	13.20	3
3044983	113RTA048-C	CNRV*4821A**+TDR		46000	11.00	13.00	3
3044952	113RTA048-C	CNRV*4824A**	313*AV060135	45500	11.70	13.50	3
3044989	113RTA048-C	CNRV*4824A**	315(A,J)AV066135	45500	11.20	13.50	3
3044990	113RTA048-C	CNRV*4824A**	315(A,J)AV066155	46000	11.20	13.50	3
3044988	113RTA048-C	CNRV*4824A**	355(A,C)AV060120	45500	11.00	13.20	3
3044987	113RTA048-C	CNRV*4824A**+TDR		46500	11.00	13.00	3
3044953	113RTA048-C	CNRV*6024A**	313*AV060135	47000	11.70	13.75	3
3044993	113RTA048-C	CNRV*6024A**	315(A,J)AV066135	46500	11.20	13.50	3
3044994	113RTA048-C	CNRV*6024A**	315(A,J)AV066155	47000	11.50	14.00	3
3044992	113RTA048-C	CNRV*6024A**	355(A,C)AV060120	46500	11.20	13.50	3
3044991	113RTA048-C	CNRV*6024A**+TDR		47500	11.00	13.00	3
3044960	113RTA048-C	CSRH*4812A**	313*AV048090	45500	11.50	13.20	3
3044961	113RTA048-C	CSRH*4812A**	313*AV060110	45500	11.70	13.50	3
3044962	113RTA048-C	CSRH*4812A**	313*AV060135	45500	11.70	13.50	3
3045016	113RTA048-C	CSRH*4812A**	315(A,J)AV048090	45000	11.20	13.50	3
3045017	113RTA048-C	CSRH*4812A**	315(A,J)AV060110	45000	11.20	13.50	3
3045018	113RTA048-C	CSRH*4812A**	315(A,J)AV066135	45000	11.20	13.50	3
3045019	113RTA048-C	CSRH*4812A**	315(A,J)AV066155	45000	11.20	13.50	3
3045013	113RTA048-C	CSRH*4812A**	355(A,C)AV060080	45000	11.00	13.20	3
3045014	113RTA048-C	CSRH*4812A**	355(A,C)AV060100	45000	11.00	13.20	3
3045015	113RTA048-C	CSRH*4812A**	355(A,C)AV060120	45000	11.00	13.20	3
3045012	113RTA048-C	CSRH*4812A**+TDR		46000	11.00	13.00	3
3044963	113RTA048-C	CSRH*6012A**	313*AV048090	47000	11.70	13.75	3
3044964	113RTA048-C	CSRH*6012A**	313*AV060110	47000	12.00	14.00	3

See notes on pg. 43

COMBINATION RATINGS CONTINUED

ARI Ref. No.	Model Number	Indoor Model	Furnace Model	Capacity	EER	SEER	Phase
3044965	113RTA048-C	CSRH*6012A**	313*AV060135	47000	11.70	13.75	3
3045024	113RTA048-C	CSRH*6012A**	315(A,J)AV048090	46500	11.20	13.50	3
3045025	113RTA048-C	CSRH*6012A**	315(A,J)AV060110	46500	11.20	13.50	3
3045026	113RTA048-C	CSRH*6012A**	315(A,J)AV066135	46500	11.50	14.00	3
3045027	113RTA048-C	CSRH*6012A**	315(A,J)AV066155	46500	11.50	14.00	3
3045021	113RTA048-C	CSRH*6012A**	355(A,C)AV060080	46500	11.20	13.50	3
3045022	113RTA048-C	CSRH*6012A**	355(A,C)AV060100	46500	11.20	13.50	3
3045023	113RTA048-C	CSRH*6012A**	355(A,C)AV060120	46500	11.20	13.50	3
3045020	113RTA048-C	CSRH*6012A**+TDR		47500	11.00	13.00	3
3045028	113RTA048-C	FA4CN(F,C)048		47000	11.00	13.00	3
3045029	113RTA048-C	FC4DN(F,B)048		47500	11.20	13.50	3
3045030	113RTA048-C	FC4DN(F,B)060		48500	11.50	14.00	3
3045031	113RTA048-C	FK4DN(B,F)005		47000	11.50	14.00	3
3045032	113RTA048-C	FK4DNB006		47500	11.50	14.00	3
3045033	113RTA060-D	†CAR**6024A**+TDR		56000	11.00	13.00	3
3045034	113RTA060-D	CAR**6021A**	313*AV048090	54500	11.00	13.00	3
3045035	113RTA060-D	CAR**6021A**	313*AV060110	55000	11.20	13.25	3
3045044	113RTA060-D	CAR**6021A**+TDR		55500	11.00	13.00	3
3045036	113RTA060-D	CAR**6024A**	313*AV060135	55500	11.20	13.25	3
3045045	113RTA060-D	CAR**6024A**	315(A,J)AV066135	55000	11.20	13.20	3
3045046	113RTA060-D	CAR**6024A**	315(A,J)AV066155	56000	11.20	13.20	3
3045038	113RTA060-D	CNRH*6024A**	313*AV048090	55000	11.00	13.00	3
3045039	113RTA060-D	CNRH*6024A**	313*AV060110	55500	11.20	13.25	3
3045040	113RTA060-D	CNRH*6024A**	313*AV060135	55500	11.20	13.25	3
3045049	113RTA060-D	CNRH*6024A**	315(A,J)AV066135	55000	11.20	13.20	3
3045050	113RTA060-D	CNRH*6024A**	315(A,J)AV066155	55500	11.50	13.50	3
3045037	113RTA060-D	CNRV*6024A**	313*AV060135	55500	11.20	13.25	3
3045047	113RTA060-D	CNRV*6024A**	315(A,J)AV066135	55500	11.00	13.20	3
3045048	113RTA060-D	CNRV*6024A**	315(A,J)AV066155	55500	11.50	13.50	3
3045041	113RTA060-D	CSRH*6012A**	313*AV048090	55000	11.00	13.00	3
3045042	113RTA060-D	CSRH*6012A**	313*AV060110	56000	11.20	13.25	3
3045043	113RTA060-D	CSRH*6012A**	313*AV060135	56000	11.20	13.25	3
3045051	113RTA060-D	CSRH*6012A**	315(A,J)AV066135	56000	11.20	13.20	3
3045052	113RTA060-D	CSRH*6012A**	315(A,J)AV066155	56000	11.50	13.50	3
3045053	113RTA060-D	FA4CN(B,C)060		56000	11.00	13.00	3
3045054	113RTA060-D	FC4DN(F,B)060		56000	11.20	13.20	3
3045055	113RTA060-D	FK4DNB006		56500	11.70	13.50	3

113R

Ratings contained in this document are subject to change at any time. Always refer to the AHRI directory (www.ahridirectory.org) for the most up-to-date ratings information.

† Tested combination.

NOTES:

1. Ratings are net values reflecting the effects of circulating fan motor heat. Supplemental electric heat is not included.
2. Tested outdoor/indoor combinations have been tested in accordance with DOE test procedures for central air conditioners. Ratings for other combinations are determined under DOE computer simulation procedures.
3. Determine actual CFM values obtainable for your system by referring to fan performance data in fan coil or furnace coil literature.
4. Do not apply with capillary tube coils as performance and reliability are significantly affected.

EER — Energy Efficiency Ratio

SEER — Seasonal Energy Efficiency Ratio

TDR — Time-Delay Relay. In most cases, only 1 method should be used to achieve TDR function. Using more than 1 method in a system may cause degradation in performance. Use either the accessory Time-Delay Relay KAATD0101TDR or a furnace equipped with TDR. Most Bryant furnaces are equipped with TDR.

TXV — Thermostatic Expansion Valve

DETAILED COOLING CAPACITIES#

EVAPORATOR AIR		CONDENSER ENTERING AIR TEMPERATURES ° F (° C)																	
CFM	EWB ° F (° C)	75 (23.9)			85 (29.4)			95 (35)			105 (40.6)			115 (46.1)			125 (51.7)		
		Capacity MBtuh		Total System KW**	Capacity MBtuh		Total System KW**	Capacity MBtuh		Total System KW**	Capacity MBtuh		Total System KW**	Capacity MBtuh		Total System KW**	Capacity MBtuh		Total System KW**
		Total	Sens†	Total	Sens†	Total	Sens†	Total	Sens†	Total	Sens†	Total	Sens†	Total	Sens†	Total	Sens†	Total	Sens†
113R* A018 - D Outdoor Section With CAR**1814A Indoor Section																			
525	72 (22.2)	20.03	10.14	1.28	19.30	9.88	1.40	18.55	9.61	1.53	17.76	9.33	1.69	16.91	9.04	1.87	16.00	8.73	2.08
	67 (19.4)	18.20	12.49	1.27	17.52	12.23	1.39	16.82	11.95	1.52	16.10	11.67	1.68	15.33	11.37	1.86	14.48	11.05	2.06
	63 (17.2)††	16.88	12.06	1.27	16.24	11.79	1.38	15.59	11.52	1.51	14.91	11.23	1.67	14.18	10.93	1.84	13.38	10.80	2.05
	62 (16.7)	16.70	14.83	1.26	16.09	14.55	1.38	15.48	14.25	1.51	14.86	13.93	1.67	14.24	14.24	1.84	13.59	13.59	2.05
	57 (13.9)	16.40	15.89	1.26	15.89	15.89	1.38	15.37	15.37	1.51	14.83	14.83	1.67	14.24	14.24	1.84	13.59	13.59	2.05
600	72 (22.2)	20.37	10.66	1.31	19.60	10.39	1.43	18.82	10.12	1.57	18.00	9.84	1.72	17.13	9.54	1.90	16.18	9.22	2.11
	67 (19.4)	18.52	13.33	1.30	17.82	13.05	1.42	17.10	12.78	1.55	16.35	12.49	1.71	15.55	12.18	1.89	14.69	11.85	2.10
	63 (17.2)††	17.19	12.84	1.30	16.52	12.56	1.41	15.85	12.28	1.55	15.15	11.99	1.70	14.40	11.68	1.88	13.58	11.34	2.08
	62 (16.7)	17.13	15.91	1.30	16.55	16.39	1.41	15.97	15.97	1.55	15.39	15.39	1.70	14.76	14.76	1.88	14.07	14.07	2.09
	57 (13.9)	17.06	17.06	1.30	16.52	16.52	1.41	15.97	15.97	1.55	15.39	15.39	1.70	14.76	14.76	1.88	14.07	14.07	2.09
675	72 (22.2)	20.61	11.15	1.34	19.82	10.87	1.46	19.01	10.60	1.60	18.17	10.32	1.75	17.28	10.02	1.93	16.31	9.69	2.14
	67 (19.4)	18.77	14.12	1.33	18.04	13.84	1.45	17.31	13.56	1.59	16.54	13.26	1.74	15.73	12.95	1.92	14.85	12.60	2.13
	63 (17.2)††	17.43	13.58	1.33	16.74	13.30	1.44	16.05	13.01	1.58	15.33	12.71	1.73	14.57	12.39	1.91	13.74	12.04	2.11
	62 (16.7)	17.61	17.61	1.33	17.04	17.04	1.45	16.45	16.45	1.58	15.84	15.84	1.73	15.18	15.18	1.91	14.46	14.46	2.12
	57 (13.9)	17.61	17.61	1.33	17.04	17.04	1.45	16.46	16.46	1.58	15.84	15.84	1.73	15.18	15.18	1.91	14.46	14.46	2.12

MODEL	COOLING INDOOR MODEL	CAPACITY	POWER	FURNACE MODEL
*CAR**1814A**	CSRH*2412A**	1.03	0.96	355(A,C)AV042040
CAR**2414A**	CAR**2417A**	1.02	0.95	355(A,C)AV042060
CNR**2418A**	CNRV*2417A**	1.02	0.95	355(A,C)AV042060
CNRV*1814A**	CSRH*2412A**	1.02	0.95	355(A,C)AV042060
CNRV*2414A**	CNRH*2417A**	1.02	0.95	355(A,C)AV042080
CSRH*2412A**	CAR**1814A**	1.01	0.92	313*AV024045
CSRH*2417A**	CAR**2414A**	1.04	0.95	313*AV024045
F4C(NF)C018	CNRH*2417A**	1.04	0.95	313*AV024045
F4C(NF)C024	CNRV*1814A**	1.01	0.92	313*AV024045
FC4DNF018	CNRH*2414A**	1.04	0.95	313*AV024045
FF1ENE018	CSRH*2412A**	1.04	0.95	313*AV024045
FF1ENE024	CNRH*2417A**	1.04	0.95	313*AV024045
FK4DNF001				
FK4DNF002				
CAR**1814A**				
CAR**2414A**				
CNRH*2417A**				
CNRV*1814A**				
CNRV*2414A**				
CSRH*2412A**				
CSRH*2417A**				
F4C(NF)C018				
F4C(NF)C024				
FC4DNF024				
FF1ENE018				
FF1ENE024				
FK4DNF001				
FK4DNF002				
CAR**1814A**				
CAR**2414A**				
CNRH*2417A**				
CNRV*1814A**				
CNRV*2414A**				
CSRH*2412A**				
CSRH*2417A**				
F4C(NF)C018				
F4C(NF)C024				
FC4DNF024				
FF1ENE018				
FF1ENE024				
FK4DNF001				
FK4DNF002				
CAR**1814A**				
CAR**2414A**				
CNRH*2417A**				
CNRV*1814A**				
CNRV*2414A**				
CSRH*2412A**				
CSRH*2417A**				
F4C(NF)C018				
F4C(NF)C024				
FC4DNF024				
FF1ENE018				
FF1ENE024				
FK4DNF001				
FK4DNF002				
CAR**1814A**				
CAR**2414A**				
CNRH*2417A**				
CNRV*1814A**				
CNRV*2414A**				
CSRH*2412A**				
CSRH*2417A**				
F4C(NF)C018				
F4C(NF)C024				
FC4DNF024				
FF1ENE018				
FF1ENE024				
FK4DNF001				
FK4DNF002				
CAR**1814A**				
CAR**2414A**				
CNRH*2417A**				
CNRV*1814A**				
CNRV*2414A**				
CSRH*2412A**				
CSRH*2417A**				
F4C(NF)C018				
F4C(NF)C024				
FC4DNF024				
FF1ENE018				
FF1ENE024				
FK4DNF001				
FK4DNF002				
CAR**1814A**				
CAR**2414A**				
CNRH*2417A**				
CNRV*1814A**				
CNRV*2414A**				
CSRH*2412A**				
CSRH*2417A**				
F4C(NF)C018				
F4C(NF)C024				
FC4DNF024				
FF1ENE018				
FF1ENE024				
FK4DNF001				
FK4DNF002				
CAR**1814A**				
CAR**2414A**				
CNRH*2417A**				
CNRV*1814A**				
CNRV*2414A**				
CSRH*2412A**				
CSRH*2417A**				
F4C(NF)C018				
F4C(NF)C024				
FC4DNF024				
FF1ENE018				
FF1ENE024				
FK4DNF001				
FK4DNF002				
CAR**1814A**				
CAR**2414A**				
CNRH*2417A**				
CNRV*1814A**				
CNRV*2414A**				
CSRH*2412A**				
CSRH*2417A**				
F4C(NF)C018				
F4C(NF)C024				
FC4DNF024				
FF1ENE018				
FF1ENE024				
FK4DNF001				
FK4DNF002				
CAR**1814A**				
CAR**2414A**				
CNRH*2417A**				
CNRV*1814A**				
CNRV*2414A**				
CSRH*2412A**				
CSRH*2417A**				
F4C(NF)C018				
F4C(NF)C024				
FC4DNF024				
FF1ENE018				
FF1ENE024				
FK4DNF001				
FK4DNF002				
CAR**1814A**				
CAR**2414A**				
CNRH*2417A**				
CNRV*1814A**				
CNRV*2414A**				
CSRH*2412A**				
CSRH*2417A**				
F4C(NF)C018				
F4C(NF)C024				
FC4DNF024				
FF1ENE018				
FF1ENE024				
FK4DNF001				
FK4DNF002				
CAR**1814A**				
CAR**2414A**				
CNRH*2417A**				
CNRV*1814A**				
CNRV*2414A**				
CSRH*2412A**				
CSRH*2417A**				
F4C(NF)C018				
F4C(NF)C024				
FC4DNF024				
FF1ENE018				
FF1ENE024				
FK4DNF001				
FK4DNF002				
CAR**1814A**				
CAR**2414A**				
CNRH*2417A**				
CNRV*1814A**				
CNRV*2414A**				
CSRH*2412A**				
CSRH*2417A**				
F4C(NF)C018				
F4C(NF)C024				
FC4DNF024				
FF1ENE018				
FF1ENE024				
FK4DNF001				
FK4DNF002				
CAR**1814A**				
CAR**2414A**				
CNRH*2417A**				
CNRV*1814A**				
CNRV*2414A**				
CSRH*2412A**				
CSRH*2417A**				
F4C(NF)C018				
F4C(NF)C024				
FC4DNF024				
FF1ENE018				
FF1ENE024				
FK4DNF001				
FK4DNF002				

DETAILED COOLING CAPACITIES#

EVAPORATOR AIRB		CONDENSER ENTERING AIR TEMPERATURES °F (°C)																	
CFM	EWB °F (°C)	75 (23.9)		85 (29.4)		95 (35)		105 (40.6)		115 (46.1)		125 (51.7)							
		Capacity MBtuh Total	Sens†	Capacity MBtuh Total	Sens†	Capacity MBtuh Total	Sens†	Capacity MBtuh Total	Sens†	Capacity MBtuh Total	Sens†	Capacity MBtuh Total	Sens†						
		113R*AO18-E Outdoor Section With CAR**1814A** Indoor Section																	
	72 (22.2)	20.30	10.36	1.23	19.41	10.03	1.35	18.57	9.72	1.48	17.78	9.43	1.64	17.02	9.16	1.81	16.32	8.90	2.02
525	67 (19.4)	18.30	12.59	1.25	17.46	12.25	1.36	16.66	11.92	1.49	15.90	11.62	1.64	15.19	11.33	1.81	14.53	11.07	2.01
	63 (17.2)††	16.84	12.11	1.26	16.03	11.75	1.37	15.25	11.42	1.49	14.52	11.10	1.64	13.84	10.81	1.80	13.20	10.54	1.99
	62 (16.7)	16.61	14.81	1.26	15.84	14.44	1.37	15.11	14.09	1.49	14.43	13.75	1.64	13.83	13.75	1.80	13.33	13.33	2.00
	57 (13.9)	16.13	16.13	1.26	15.51	15.51	1.37	14.92	14.92	1.49	14.35	14.35	1.64	13.82	13.82	1.80	13.33	13.33	2.00
	72 (22.2)	20.72	10.88	1.25	19.79	10.55	1.37	18.91	10.23	1.51	18.09	9.94	1.68	17.31	9.66	1.84	16.59	9.41	2.05
600	67 (19.4)	18.70	13.43	1.27	17.83	13.08	1.39	17.00	12.75	1.52	16.22	12.44	1.67	15.49	12.15	1.84	14.81	11.88	2.04
	63 (17.2)††	17.22	12.90	1.28	16.38	12.54	1.39	15.58	12.20	1.52	14.83	11.87	1.67	14.12	11.57	1.83	13.47	11.29	2.03
	62 (16.7)	17.09	15.92	1.28	16.31	15.53	1.39	15.61	15.51	1.52	15.00	15.00	1.67	14.44	14.44	1.83	13.92	13.92	2.03
	57 (13.9)	16.88	16.88	1.28	16.23	16.23	1.39	15.60	15.60	1.52	15.00	15.00	1.67	14.44	14.44	1.83	13.92	13.92	2.03
	72 (22.2)	21.02	11.37	1.27	20.06	11.03	1.40	19.16	10.72	1.53	18.32	10.42	1.69	17.52	10.14	1.87	16.78	9.88	2.08
675	67 (19.4)	19.00	14.22	1.29	18.11	13.86	1.41	17.26	13.53	1.54	16.47	13.22	1.69	15.72	12.92	1.87	15.03	12.85	2.07
	63 (17.2)††	17.52	13.65	1.31	16.66	13.28	1.42	15.84	12.93	1.55	15.07	12.60	1.86	14.35	12.29	1.86	13.69	12.00	2.06
	62 (16.7)	17.54	16.91	1.30	16.81	16.81	1.42	16.16	16.16	1.55	15.54	15.54	1.70	14.95	14.95	1.87	14.40	14.40	2.06
	57 (13.9)	17.51	17.51	1.30	16.82	16.82	1.42	16.16	16.16	1.55	15.54	15.54	1.70	14.95	14.95	1.87	14.40	14.40	2.06

COOLING INDOOR MODEL	CAPACITY	POWER	FURNACE MODEL
CSRH*2412A**	1.00	0.86	353AAV036060
CAR**2417A**	1.00	0.86	355(A,C)AV042060
CNRH*2417A**	1.00	0.86	355(A,C)AV042060
CNRV*2417A**	1.00	0.86	355(A,C)AV042060
CSRH*2412A**	1.00	0.86	355(A,C)AV042060
CNRH*2417A**	1.00	0.86	355(A,C)AV042060
CNRV*2412A**	1.00	0.86	355(A,C)AV042060
CNRH*2412A**	1.00	0.86	355(A,C)AV042080
CNRH*2417A**	1.00	0.86	355AAV042040
CSRH*2412A**	1.00	0.86	355AAV042040
CAR**1814A**	1.00	0.92	313*AV024045
CNRH*2417A**	1.00	0.86	313*AV024045
CNRV*1814A**	1.00	0.92	313*AV024045
CSRH*2412A**	1.00	0.86	313*AV024045

COOLING INDOOR MODEL	CAPACITY	POWER	FURNACE MODEL
*CAR**1814A**	1.00	1.00	
CAR**2414A**	1.00	0.96	
CAR**2417A**	1.00	0.96	
CNRV*2418A**	1.00	0.96	
CNRH*2417A**	1.00	0.96	
CNRV*1814A**	1.00	1.00	
CNRV*2414A**	1.00	0.96	
CNRV*2417A**	1.00	0.96	
CSRH*2412A**	1.00	0.96	
FA4CNF(C)018	1.00	1.00	
FA4CNF(C)024	1.00	1.00	
FC4DNF018	1.00	0.92	
FC4DNF024	1.00	0.90	
FF1ENE018	1.00	1.00	
FF1ENE024	1.00	0.96	
FK4DNF001	1.00	0.90	
FK4DNF002	1.00	0.90	
CAR**1814A**	1.00	0.92	315(A,J)AV036070
CAR**2414A**	1.00	0.86	315(A,J)AV036070
CNRH*2417A**	1.00	0.86	315(A,J)AV036070
CNRV*1814A**	1.00	0.92	315(A,J)AV036070
CNRV*2414A**	1.00	0.86	315(A,J)AV036070
CSRH*2412A**	1.00	0.86	315(A,J)AV036070
CAR**2417A**	1.00	0.86	315(A,J)AV048090
CNRH*2417A**	1.00	0.86	315(A,J)AV048090
CNRV*2417A**	1.00	0.86	315(A,J)AV048090
CSRH*2412A**	1.00	0.86	315(A,J)AV048090
CAR**2417A**	1.00	0.86	353AAV036040
CNRH*2417A**	1.00	0.86	353AAV036040
CNRV*2417A**	1.00	0.86	353AAV036040
CSRH*2412A**	1.00	0.86	353AAV036040
CAR**2417A**	1.00	0.86	353AAV036060
CNRH*2417A**	1.00	0.86	353AAV036060
CNRV*2417A**	1.00	0.86	353AAV036060

See notes on page 58

DETAILED COOLING CAPACITIES#

EVAPORATOR AIR		CONDENSER ENTERING AIR TEMPERATURES °F (°C)																
		75 (23.9)		85 (29.4)		95 (35)		105 (40.6)		115 (46.1)		125 (51.7)						
CFM	EWB °F (°C)	Capacity MBtuh		Total System KW**	Capacity MBtuh		Total System KW**	Capacity MBtuh		Total System KW**	Capacity MBtuh		Total System KW**					
		Total	Sens†		Total	Sens†		Total	Sens†		Total	Sens†						
700	72 (22.2)	26.75	13.89	1.76	25.86	13.56	24.91	13.22	2.12	23.90	12.85	22.79	12.45	2.58	21.56	12.02	2.86	
	67 (19.4)	24.29	17.11	1.75	23.50	16.79	1.91	22.64	16.44	2.10	21.69	16.07	2.32	20.63	15.65	19.45	15.19	2.84
	63 (17.2)††	22.57	16.53	1.74	21.83	16.21	1.90	21.01	15.86	2.09	20.10	15.47	2.31	19.07	15.03	17.91	14.84	2.83
	62 (16.7)	22.28	20.33	1.74	21.58	20.00	1.90	20.81	19.63	2.09	19.97	19.19	2.31	19.10	19.10	2.55	18.17	2.83
	57 (13.9)	21.88	21.30	1.74	21.30	20.66	2.09	20.66	20.66	2.09	19.92	19.92	2.31	19.10	19.10	2.55	18.17	2.83
	72 (22.2)	27.20	14.60	1.80	26.26	14.26	1.97	25.28	13.91	2.16	24.23	13.54	23.08	13.14	2.62	21.82	12.71	2.90
800	67 (19.4)	24.72	18.26	1.79	23.89	17.83	1.96	23.00	17.57	2.15	22.03	17.19	20.94	16.77	2.61	19.74	16.30	2.87
	63 (17.2)††	22.97	17.60	1.78	22.21	17.28	1.95	21.36	16.92	2.13	20.43	16.52	2.35	19.37	16.08	18.19	15.58	2.87
	62 (16.7)	22.84	21.82	1.78	22.15	22.03	1.95	21.45	21.45	2.13	20.68	20.68	2.35	19.82	19.82	2.60	18.85	2.88
	57 (13.9)	22.76	22.76	1.78	22.14	22.14	1.95	21.45	21.45	2.13	20.69	20.69	2.35	19.82	19.82	2.60	18.86	2.88
	72 (22.2)	27.53	15.27	1.85	26.55	14.93	2.01	25.54	14.57	2.20	24.46	14.20	2.42	23.29	13.80	22.00	13.36	2.94
	67 (19.4)	25.05	19.35	1.83	24.19	18.65	2.00	23.27	18.26	2.19	22.28	18.26	2.40	21.18	17.83	19.96	17.35	2.93
900	63 (17.2)††	23.28	18.62	1.82	22.49	18.29	1.99	21.63	17.92	2.18	20.67	17.52	2.39	19.61	17.07	18.42	16.55	2.91
	62 (16.7)	23.49	23.49	1.83	22.82	22.82	1.99	22.10	22.10	2.18	21.30	21.30	2.40	20.41	20.41	19.41	19.41	2.92
	57 (13.9)	23.49	23.49	1.83	22.83	22.83	1.99	22.10	22.10	2.18	21.30	21.30	2.40	20.41	20.41	19.41	19.41	2.92

113R*AV024 - E Outdoor Section With CAR2417A Indoor Section**

COOLING INDOOR MODEL		CAPACITY		POWER	FURNACE MODEL					
		Total	Sens†		Total	Sens†				
*CAR**2414A**	1.00	1.00	0.93	315(A-JAV060110	1.00	0.93	CAR**2417A**	1.01	0.94	355(A-CJAV042060
CAR**2417A**	1.00	1.00	0.94	315(A-JAV060110	1.01	0.94	CAR**3012A**	1.01	0.94	355(A-CJAV042060
CAR**3014A**	1.00	1.00	0.94	315(A-JAV060110	1.01	0.94	CNRH**2417A**	1.01	0.94	355(A-CJAV042060
CAR**3017A**	1.00	1.00	0.93	315(A-JAV066135	1.00	0.93	CNRH**3017A**	1.01	0.94	355(A-CJAV042060
CNRH**2418A**	1.00	1.00	0.93	315(A-JAV066135	1.00	0.93	CNRV**2417A**	1.00	0.93	355(A-CJAV042060
CNRH**2417A**	1.00	1.00	0.94	315(A-JAV066135	1.01	0.94	CNRV**3017A**	1.00	0.93	355(A-CJAV042060
CNRH**3017A**	1.00	1.00	0.94	315(A-JAV066135	1.01	0.94	CSRH**2412A**	1.02	0.95	355(A-CJAV042060
CNRV**2414A**	1.00	1.00	0.93	315(A-JAV066155	0.99	0.93	CSRH**3012A**	1.02	0.95	355(A-CJAV042060
CNRV**2417A**	1.00	1.00	0.93	315(A-JAV066155	1.00	0.93	CNRH**2417A**	0.99	0.93	355(A-CJAV042060
CNRV**3014A**	1.00	1.00	0.94	315(A-JAV066155	1.01	0.94	CNRH**3017A**	1.00	0.93	355(A-CJAV042060
CNRV**3017A**	1.00	1.00	0.94	315(A-JAV066155	1.01	0.94	CSRH**2412A**	1.00	0.93	355(A-CJAV042060
CSRH**2412A**	1.02	1.02	0.92	353AAV036040	1.03	0.92	CSRH**3012A**	1.00	0.93	355(A-CJAV042060
CSRH**3012A**	1.01	1.01	0.92	353AAV036040	1.03	0.92	CNRH**2417A**	0.98	0.92	355(A-CJAV060080
FC4DNF024	1.01	1.01	0.94	353AAV036040	1.03	0.92	CNRH**3017A**	0.98	0.92	355(A-CJAV060080
FC4DNF030	1.00	1.00	0.99	353AAV036040	1.03	0.92	CSRH**2412A**	1.00	0.93	355(A-CJAV060080
FF1ENE024	0.98	0.98	0.98	353AAV036040	1.03	0.92	CNRH**2417A**	1.00	0.93	355(A-CJAV060100
FF1ENE030	1.00	1.00	1.00	353AAV036040	1.03	0.92	CSRH**2412A**	1.01	0.94	355(A-CJAV060100
FK4DNB.F003	1.01	1.01	0.94	353AAV036060	1.03	0.92	CSRH**3012A**	1.00	0.93	355(A-CJAV060100
FK4DNF001	1.00	1.00	0.93	353AAV036060	1.03	0.92	CNRH**2417A**	1.00	0.93	355(A-CJAV060120
FK4DNF002	0.99	0.99	0.93	353AAV036060	1.03	0.92	CNRH**3017A**	1.00	0.93	355(A-CJAV060120
CAR**2414A**	0.99	0.99	0.93	315(A-JAV036070	1.03	0.92	CSRH**2412A**	1.01	0.94	313*AV024045
CAR**3014A**	0.99	0.99	0.93	315(A-JAV036070	1.03	0.92	CSRH**3012A**	1.01	0.94	313*AV024045
CNRH**2417A**	0.99	0.99	0.93	315(A-JAV036070	1.03	0.92	CAR**2414A**	1.03	0.96	313*AV024045
CNRH**3017A**	1.00	1.00	0.93	315(A-JAV036070	1.03	0.92	CAR**3014A**	1.03	0.97	313*AV024045
CNRV**2414A**	0.99	0.99	0.93	315(A-JAV036070	1.03	0.92	CNRH**2417A**	1.03	0.96	313*AV024045
CNRV**3014A**	0.99	0.99	0.93	315(A-JAV036070	1.03	0.92	CNRH**3017A**	1.03	0.96	313*AV024045
CSRH**2412A**	1.00	1.00	0.93	315(A-JAV036070	1.03	0.92	CNRV**2417A**	1.03	0.96	313*AV024045
CSRH**3012A**	1.00	1.00	0.93	315(A-JAV036070	1.03	0.92	CNRV**3017A**	1.03	0.96	313*AV024045
CAR**2417A**	0.99	0.99	0.93	315(A-JAV048090	1.03	0.92	CNRH**2412A**	1.03	0.96	313*AV024045
CAR**3017A**	1.00	1.00	0.93	315(A-JAV048090	1.03	0.92	CNRH**3012A**	1.03	0.96	313*AV024045
CNRH**2417A**	0.99	0.99	0.93	315(A-JAV048090	1.03	0.92	CSRH**2412A**	1.03	0.96	313*AV024045
CNRH**3017A**	0.99	0.99	0.93	315(A-JAV048090	1.03	0.92	CSRH**3012A**	1.03	0.96	313*AV024045
CNRV**2417A**	1.00	1.00	0.93	315(A-JAV048090	1.03	0.92	CSRH**3012A**	1.03	0.96	313*AV024045
CNRV**3017A**	1.00	1.00	0.93	315(A-JAV048090	1.03	0.92	CSRH**3012A**	1.03	0.96	313*AV024045
CNRV**2417A**	0.99	0.99	0.93	315(A-JAV048090	1.03	0.92	CSRH**3012A**	1.03	0.96	313*AV024045
CNRV**3017A**	0.99	0.99	0.93	315(A-JAV048090	1.03	0.92	CSRH**3012A**	1.03	0.96	313*AV024045
CNRV**2412A**	1.00	1.00	0.93	315(A-JAV048090	1.03	0.92	CSRH**3012A**	1.03	0.96	313*AV024045
CNRV**3012A**	1.00	1.00	0.93	315(A-JAV048090	1.03	0.92	CSRH**3012A**	1.03	0.96	313*AV024045
CAR**2417A**	0.99	0.99	0.93	315(A-JAV048090	1.03	0.92	CSRH**3012A**	1.03	0.96	313*AV024045
CAR**3017A**	1.00	1.00	0.94	315(A-JAV048090	1.03	0.92	CSRH**3012A**	1.03	0.96	313*AV024045
CNRH**2412A**	1.01	1.01	0.94	315(A-JAV048090	1.03	0.92	CSRH**3012A**	1.03	0.96	313*AV024045
CNRH**3012A**	1.01	1.01	0.94	315(A-JAV048090	1.03	0.92	CSRH**3012A**	1.03	0.96	313*AV024045
CSRH**2412A**	1.01	1.01	0.94	315(A-JAV048090	1.03	0.92	CSRH**3012A**	1.03	0.96	313*AV024045
CSRH**3012A**	1.01	1.01	0.94	315(A-JAV048090	1.03	0.92	CSRH**3012A**	1.03	0.96	313*AV024045
CNRH**2417A**	0.99	0.99	0.93	315(A-JAV060110	1.00	0.93	CSRH**3012A**	1.03	0.96	313*AV024045

See notes on page 58

DETAILED COOLING CAPACITIES#

EVAPORATOR AIR		CONDENSER ENTERING AIR TEMPERATURES °F (°C)																	
		75 (23.9)		85 (29.4)		95 (35)		105 (40.6)		115 (46.1)		125 (51.7)							
CFM	EWB °F (°C)	Capacity MBtuh		Total System KW**	Capacity MBtuh		Total System KW**	Capacity MBtuh		Total System KW**	Capacity MBtuh		Total System KW**						
		Total	Sens†		Total	Sens†		Total	Sens†		Total	Sens†							
700	72 (22.2)	26.67	13.57	1.68	25.79	13.26	1.85	24.83	12.92	2.03	23.80	12.55	2.25	22.68	12.16	2.49	21.44	11.73	2.75
	67 (19.4)	24.32	16.76	1.66	23.53	16.45	1.83	22.66	16.11	2.01	21.70	15.73	2.22	20.83	15.82	2.46	19.44	14.86	2.73
	63 (17.2)††	22.66	16.23	1.65	21.93	15.92	1.81	21.10	15.57	2.00	20.18	15.18	2.21	19.13	14.74	2.45	17.96	14.26	2.71
	62 (16.7)	22.38	19.95	1.65	21.68	19.63	1.81	20.89	19.25	1.99	20.02	18.83	2.21	19.12	19.12	2.45	18.18	18.18	2.72
	62 (16.7)	21.96	21.39	1.65	21.39	21.39	1.81	20.72	20.72	1.99	20.72	19.97	2.20	19.13	19.13	2.45	18.19	18.19	2.70
800	72 (22.2)	27.10	14.26	1.72	26.18	13.94	1.89	25.18	13.59	2.08	24.11	13.22	2.29	22.95	12.92	2.53	21.68	12.99	2.82
	67 (19.4)	24.73	17.87	1.70	23.91	17.55	1.87	23.00	17.20	2.05	22.01	16.82	2.27	20.92	16.40	2.50	19.71	15.94	2.77
	63 (17.2)††	23.06	17.27	1.69	22.29	16.95	1.85	21.44	16.59	2.04	20.49	16.20	2.25	19.42	15.76	2.49	18.23	15.26	2.76
	62 (16.7)	22.92	21.39	1.69	22.00	22.00	1.85	21.48	21.48	2.04	20.70	20.70	2.25	19.82	19.82	2.49	18.84	18.84	2.76
	57 (13.9)	22.81	22.81	1.69	22.19	22.19	1.85	21.49	21.49	2.04	20.70	20.70	2.25	19.82	19.82	2.49	18.84	18.84	2.76
900	72 (22.2)	27.40	14.90	1.76	26.45	14.58	1.93	25.42	14.22	2.12	24.32	13.85	2.33	23.14	13.45	2.57	21.84	13.02	2.84
	67 (19.4)	25.03	18.92	1.74	24.19	18.60	1.91	23.25	18.24	2.09	22.24	17.85	2.31	21.13	17.43	2.55	19.91	16.96	2.81
	63 (17.2)††	23.55	18.25	1.73	22.56	17.93	1.89	21.69	17.56	2.08	20.72	17.16	2.29	19.64	16.71	2.53	18.45	16.21	2.80
	62 (16.7)	23.52	23.52	1.73	22.85	22.85	1.90	22.11	22.11	2.08	21.29	21.29	2.30	20.38	20.38	2.54	19.37	19.37	2.81
	57 (13.9)	23.51	23.51	1.73	22.85	22.85	1.90	22.11	22.11	2.08	21.29	21.29	2.30	20.38	20.38	2.54	19.37	19.37	2.81

113R*AO30-E-F Outdoor Section With CAR**2417A** Indoor Section

COOLING INDOOR MODEL		CAPACITY		POWER	FURNACE MODEL	
		Total	Sens†		Total	Sens†
*CAR**2414A**	1.00	1.00	1.00	0.90	315(A-JAV)048090	355(A-CJAV)042080
CAR**2417A**	1.00	1.00	1.00	0.93	315(A-JAV)060110	355(A-CJAV)042080
CAR**3017A**	1.00	1.00	1.00	0.90	315(A-JAV)060110	355(A-CJAV)042080
CAR**3017A**	1.00	1.00	1.00	0.93	315(A-JAV)060110	355(A-CJAV)042080
CNRH*2418A**	1.00	1.00	1.00	0.90	315(A-JAV)060110	355(A-CJAV)042080
CNRH*2417A**	1.00	1.00	1.00	0.93	315(A-JAV)066135	355(A-CJAV)042080
CNRH*3017A**	1.00	1.00	1.00	0.90	315(A-JAV)066135	355(A-CJAV)042080
CNRV*2414A**	1.00	1.00	1.00	0.90	315(A-JAV)066135	355(A-CJAV)042080
CNRV*2417A**	1.00	1.00	1.00	0.92	315(A-JAV)066155	355(A-CJAV)042080
CNRV*3017A**	1.00	1.00	1.00	0.90	315(A-JAV)066155	355(A-CJAV)042080
CSRH*2412A**	1.00	1.00	1.00	0.90	315(A-JAV)066155	355(A-CJAV)042080
CSRH*3012A**	1.00	1.00	1.00	0.90	315(A-JAV)066155	355(A-CJAV)060080
FA4CN(F)C)024	1.00	1.00	1.00	0.90	353AAV036040	355(A-CJAV)060080
FA4CN(F)C)030	1.00	1.00	1.00	0.90	353AAV036040	355(A-CJAV)060080
FC4DNF024	1.00	1.00	1.00	0.93	353AAV036040	355(A-CJAV)060080
FC4DNF030	1.00	1.00	1.00	0.90	353AAV036040	355(A-CJAV)060100
FF1ENE024	0.99	0.99	0.99	0.90	353AAV036040	355(A-CJAV)060100
FK4DN(B)F)003	1.00	1.00	1.00	0.90	353AAV036040	355(A-CJAV)060100
FK4DNF001	1.00	1.00	1.00	0.90	353AAV036040	355(A-CJAV)060100
FK4DNF002	0.99	0.99	0.93	0.90	353AAV036040	355(A-CJAV)060120
CAR**2414A**	1.00	1.00	1.00	0.93	353AAV036060	355(A-CJAV)060120
CAR**3014A**	1.00	1.00	1.00	0.90	353AAV036060	355(A-CJAV)060120
CNRH*3017A**	1.00	1.00	1.00	0.93	353AAV036060	355(A-CJAV)060120
CNRV*2414A**	1.00	1.00	1.00	0.90	353AAV036060	355AAV042040
CNRV*3017A**	1.00	1.00	1.00	0.93	353AAV036060	355AAV042040
CSRH*2412A**	1.00	1.00	1.00	0.92	353AAV036060	355AAV042040
CSRH*3012A**	1.00	1.00	1.00	0.90	353AAV036060	355AAV042040
CAR**2417A**	1.00	1.00	1.00	0.90	353AAV036060	313*AV024045
CAR**3017A**	1.00	1.00	1.00	0.90	353AAV036060	313*AV024045
CNRH*3017A**	1.00	1.00	1.00	0.92	353AAV036060	313*AV024045
CNRH*3017A**	1.00	1.00	1.00	0.90	353AAV036060	313*AV024045
CNRV*2417A**	1.00	1.00	1.00	0.92	353AAV036060	313*AV024045
CNRV*3017A**	1.00	1.00	1.00	0.90	353AAV036060	313*AV024045
CSRH*2412A**	1.00	1.00	1.00	0.90	353AAV036060	313*AV024045

See notes on page 58



113R

DETAILED COOLING CAPACITIES#

EVAPORATOR AIR		CONDENSER ENTERING AIR TEMPERATURES °F (°C)																	
		75 (23.9)			85 (29.4)			95 (35)			105 (40.6)			115 (46.1)			125 (51.7)		
CFM	EWB °F (°C)	Capacity MBtuh		Total System KW**	Capacity MBtuh		Total System KW**	Capacity MBtuh		Total System KW**	Capacity MBtuh		Total System KW**	Capacity MBtuh		Total System KW**			
		Total	Sens†		Total	Sens†		Total	Sens†		Total	Sens†		Total	Sens†				
113R* A030 Outdoor Section With CAR**3014A Indoor Section																			
	72 (22.2)	32.22	16.76	2.15	31.12	16.36	2.35	29.96	15.94	2.56	28.75	15.51	2.79	27.48	15.06	3.07	26.15	14.59	3.39
	67 (19.4)	29.29	20.72	2.14	28.27	20.31	2.33	27.17	19.88	2.55	26.03	19.42	2.80	24.82	18.95	3.07	23.56	18.46	3.38
875	63 (17.2)††	27.20	20.01	2.12	26.22	19.59	2.31	25.18	19.14	2.53	24.08	18.68	2.78	22.92	18.18	3.05	21.70	17.67	3.37
	62 (16.7)	26.92	24.65	2.11	26.00	24.20	2.31	25.03	23.71	2.53	24.04	23.09	2.78	23.09	23.09	3.05	22.10	22.10	3.37
	57 (13.9)	26.53	26.53	2.11	25.75	25.75	2.31	24.92	24.92	2.53	24.03	24.03	2.78	23.09	23.09	3.05	22.10	22.10	3.37
	72 (22.2)	32.72	17.60	2.20	31.58	17.20	2.39	30.39	16.78	2.61	29.14	16.34	2.85	27.84	15.89	3.12	26.47	15.42	3.43
	67 (19.4)	29.78	22.10	2.19	28.72	21.68	2.38	27.60	21.24	2.60	26.42	20.80	2.84	25.19	20.30	3.12	23.93	19.79	3.43
1000	63 (17.2)††	27.67	21.30	2.17	26.67	20.87	2.37	25.59	20.41	2.59	24.46	19.94	2.83	23.27	19.43	3.10	22.03	18.91	3.42
	62 (16.7)	27.62	26.39	2.17	26.72	26.72	2.37	25.85	25.85	2.59	24.92	24.92	2.83	23.94	23.94	3.11	22.90	22.90	3.43
	57 (13.9)	27.56	27.56	2.17	26.74	26.74	2.37	25.86	25.86	2.59	24.92	24.92	2.83	23.94	23.94	3.11	22.90	22.90	3.43
	72 (22.2)	33.07	18.40	2.25	31.91	17.99	2.44	30.69	17.57	2.65	29.41	17.13	2.89	28.08	16.68	3.16	26.69	16.21	3.47
1125	67 (19.4)	30.15	23.40	2.24	29.07	22.97	2.43	27.92	22.53	2.65	26.72	22.06	2.89	25.47	21.56	3.17	24.17	21.05	3.48
	63 (17.2)††	28.03	28.51	2.22	27.00	22.08	2.42	25.90	21.61	2.64	24.75	21.12	2.88	23.54	20.60	3.16	22.29	20.05	3.47
	62 (16.7)	28.41	28.41	2.22	27.54	27.54	2.42	26.62	26.62	2.64	25.65	25.65	2.89	24.63	24.63	3.16	23.55	23.55	3.48
	57 (13.9)	28.41	28.41	2.22	27.54	27.54	2.42	26.62	26.62	2.64	25.65	25.65	2.89	24.63	24.63	3.16	23.56	23.56	3.48

COOLING INDOOR MODEL		CAPACITY		POWER	FURNACE MODEL	
		Total	Sens†		Total	Sens†
*CAR**3014A**	1.00	1.00		1.00		
CAR**3017A**	1.00	1.00		1.00		
CAR**3614A**	1.00	1.00		1.00		
CAR**3617A**	1.00	1.00		1.00		
CAR**3621A**	1.00	1.00		1.00		
CNR**3618A**	1.00	1.00		1.00		
CNRH**3017A**	1.00	1.00		1.00		
CNRH**3617A**	1.00	1.00		1.00		
CNR**3014A**	1.00	1.00		1.00		
CNR**3017A**	1.00	1.00		1.00		
CNR**3617A**	1.00	1.00		1.00		
CNR**3621A**	1.00	1.00		1.00		
CSRH**3012A**	1.00	1.00		1.00		
CSRH**3612A**	0.99	0.99		0.99		
FA4CN(F)C030	0.99	0.99		0.99		
FA4CN(F)C036	1.00	1.00		1.00		
FC4DN(F)B036	1.02	0.95		1.02		
FC4DNF030	1.01	0.94		1.01		
FF1ENE030	0.99	0.99		0.99		
FF1ENE036	1.00	1.00		1.00		
FK4DN(B)F003	1.01	0.94		1.01		
FK4DN(B)F005	1.04	0.97		1.04		
FK4DNF005	0.99	0.93		0.99		
FK4DNF002	1.01	0.94		1.01		
CAR**3014A**	0.99	0.92		0.99		
CAR**3614A**	0.99	0.93		0.99		
CNRH**3017A**	0.99	0.93		0.99		
CNRH**3617A**	0.99	0.93		0.99		
CNRH**3014A**	0.99	0.92		0.99		
CSRH**3012A**	0.99	0.93		0.99		
CSRH**3612A**	0.99	0.93		0.99		
CAR**3017A**	0.99	0.93		0.99		
CAR**3617A**	0.99	0.93		0.99		
CNRH**3012A**	0.99	0.93		0.99		
CNRH**3612A**	0.99	0.93		0.99		
CAR**3017A**	0.99	0.93		0.99		
CAR**3617A**	0.99	0.93		0.99		
CNRH**3012A**	0.99	0.93		0.99		
CNRH**3612A**	0.99	0.93		0.99		
CAR**3017A**	0.99	0.93		0.99		
CAR**3617A**	0.99	0.93		0.99		
CNRH**3012A**	0.99	0.93		0.99		
CNRH**3612A**	0.99	0.93		0.99		
CAR**3017A**	0.99	0.93		0.99		
CAR**3617A**	0.99	0.93		0.99		
CNRH**3012A**	0.99	0.93		0.99		
CNRH**3612A**	0.99	0.93		0.99		
CAR**3017A**	0.99	0.93		0.99		
CAR**3617A**	0.99	0.93		0.99		
CNRH**3012A**	0.99	0.93		0.99		
CNRH**3612A**	0.99	0.93		0.99		
CAR**3017A**	0.99	0.93		0.99		
CAR**3617A**	0.99	0.93		0.99		
CNRH**3012A**	0.99	0.93		0.99		
CNRH**3612A**	0.99	0.93		0.99		
CAR**3017A**	0.99	0.93		0.99		
CAR**3617A**	0.99	0.93		0.99		
CNRH**3012A**	0.99	0.93		0.99		
CNRH**3612A**	0.99	0.93		0.99		
CAR**3017A**	0.99	0.93		0.99		
CAR**3617A**	0.99	0.93		0.99		
CNRH**3012A**	0.99	0.93		0.99		
CNRH**3612A**	0.99	0.93		0.99		
CAR**3017A**	0.99	0.93		0.99		
CAR**3617A**	0.99	0.93		0.99		
CNRH**3012A**	0.99	0.93		0.99		
CNRH**3612A**	0.99	0.93		0.99		
CAR**3017A**	0.99	0.93		0.99		
CAR**3617A**	0.99	0.93		0.99		
CNRH**3012A**	0.99	0.93		0.99		
CNRH**3612A**	0.99	0.93		0.99		
CAR**3017A**	0.99	0.93		0.99		
CAR**3617A**	0.99	0.93		0.99		
CNRH**3012A**	0.99	0.93		0.99		
CNRH**3612A**	0.99	0.93		0.99		
CAR**3017A**	0.99	0.93		0.99		
CAR**3617A**	0.99	0.93		0.99		
CNRH**3012A**	0.99	0.93		0.99		
CNRH**3612A**	0.99	0.93		0.99		
CAR**3017A**	0.99	0.93		0.99		
CAR**3617A**	0.99	0.93		0.99		
CNRH**3012A**	0.99	0.93		0.99		
CNRH**3612A**	0.99	0.93		0.99		
CAR**3017A**	0.99	0.93		0.99		
CAR**3617A**	0.99	0.93		0.99		
CNRH**3012A**	0.99	0.93		0.99		
CNRH**3612A**	0.99	0.93		0.99		
CAR**3017A**	0.99	0.93		0.99		
CAR**3617A**	0.99	0.93		0.99		
CNRH**3012A**	0.99	0.93		0.99		
CNRH**3612A**	0.99	0.93		0.99		
CAR**3017A**	0.99	0.93		0.99		
CAR**3617A**	0.99	0.93		0.99		
CNRH**3012A**	0.99	0.93		0.99		
CNRH**3612A**	0.99	0.93		0.99		
CAR**3017A**	0.99	0.93		0.99		
CAR**3617A**	0.99	0.93		0.99		
CNRH**3012A**	0.99	0.93		0.99		
CNRH**3612A**	0.99	0.93		0.99		
CAR**3017A**	0.99	0.93		0.99		
CAR**3617A**	0.99	0.93		0.99		
CNRH**3012A**	0.99	0.93		0.99		
CNRH**3612A**	0.99	0.93		0.99		
CAR**3017A**	0.99	0.93		0.99		
CAR**3617A**	0.99	0.93		0.99		
CNRH**3012A**	0.99	0.93		0.99		
CNRH**3612A**	0.99	0.93		0.99		
CAR**3017A**	0.99	0.93		0.99		
CAR**3617A**	0.99	0.93		0.99		
CNRH**3012A**	0.99	0.93		0.99		
CNRH**3612A**	0.99	0.93		0.99		
CAR**3017A**	0.99	0.93		0.99		
CAR**3617A**	0.99	0.93		0.99		
CNRH**3012A**	0.99	0.93		0.99		
CNRH**3612A**	0.99	0.93		0.99		
CAR**3017A**	0.99	0.93		0.99		
CAR**3617A**	0.99	0.93		0.99		
CNRH**3012A**	0.99	0.93		0.99		
CNRH**3612A**	0.99	0.93		0.99		
CAR**3017A**	0.99	0.93		0.99		
CAR**3617A**	0.99	0.93		0.99		
CNRH**3012A**	0.99	0.93		0.99		
CNRH**3612A**	0.99	0.93		0.99		
CAR**3017A**	0.99	0.93		0.99		
CAR**3617A**	0.99	0.93		0.99		
CNRH**3012A**	0.99	0.93		0.99		
CNRH						

DETAILED COOLING CAPACITIES#

113R*A030 Outdoor Section With CAP**3014A Indoor Section

COOLING INDOOR MODEL	CAPACITY	POWER	FURNACE MODEL
CNRH*3617A**	0.99	0.93	355(A,C)AV060080
CNRV*3621A**	0.99	0.93	355(A,C)AV060080
CSRH*3012A**	1.00	0.93	355(A,C)AV060080
CSRH*3612A**	0.99	0.93	355(A,C)AV060080
CAR**3621A**	1.02	0.95	355(A,C)AV060100
CNRH*3017A**	0.99	0.92	355(A,C)AV060100
CNRH*3617A**	0.99	0.92	355(A,C)AV060100
CNRV*3621A**	0.99	0.92	355(A,C)AV060100
CSRH*3012A**	0.99	0.93	355(A,C)AV060100
CSRH*3612A**	0.99	0.93	355(A,C)AV060100
CNRH*3017A**	0.99	0.93	355(A,C)AV060120
CNRH*3617A**	0.99	0.93	355(A,C)AV060120
CSRH*3012A**	1.00	0.93	355(A,C)AV060120
CSRH*3612A**	0.99	0.93	355(A,C)AV060120
CAP**3017A**	1.04	0.97	313*AV048070
CAP**3617A**	1.04	0.97	313*AV048070
CNPH*3017A**	1.04	0.97	313*AV048070
CNPH*3617A**	1.04	0.97	313*AV048070
CNPV*3017A**	1.04	0.97	313*AV048070
CNPV*3617A**	1.04	0.97	313*AV048070
CSPH*3012A**	1.04	0.97	313*AV048070
CSPH*3612A**	1.04	0.97	313*AV048070
CAP**3621A**	1.05	0.96	313*AV048090
CNPH*3017A**	1.04	0.97	313*AV048090
CNPH*3617A**	1.04	0.97	313*AV048090
CNPV*3621A**	1.04	0.97	313*AV048090
CSPH*3012A**	1.04	0.97	313*AV048090
CSPH*3612A**	1.05	0.96	313*AV048090

See notes on page 58

DETAILED COOLING CAPACITIES#

EVAPORATOR AIR		CONDENSER ENTERING AIR TEMPERATURES °F (°C)																					
CFM	EWB °F (°C)	75 (23.9)				85 (29.4)				95 (35)				105 (40.6)				115 (46.1)				125 (51.7)	
		Capacity MBtuh		Total System KW**	Capacity MBtuh	Capacity MBtuh		Total System KW**	Capacity MBtuh	Capacity MBtuh		Total System KW**	Capacity MBtuh	Capacity MBtuh		Total System KW**	Capacity MBtuh	Capacity MBtuh		Total System KW**			
Total		Sens†	Total	Total		Sens†	Total	Total		Sens†	Total	Total		Sens†	Total	Total		Sens†	Total				
875	72 (22.2)	32.76	16.95	2.10	31.66	16.56	2.30	30.53	16.15	2.52	29.33	15.72	2.77	28.08	15.28	3.06	26.78	14.82	3.39				
	67 (19.4)	29.88	20.98	2.09	28.89	20.59	2.29	27.80	20.16	2.51	26.65	19.70	2.77	25.45	19.23	3.05	24.19	18.74	3.36				
	63 (17.2)††	27.87	20.32	2.07	27.02	19.91	2.27	25.86	19.46	2.50	24.75	18.98	2.75	23.58	18.49	3.04	22.35	17.97	3.38				
	62 (16.7)	27.53	24.98	2.06	26.82	24.56	2.27	25.82	24.07	2.49	24.59	24.37	2.75	23.61	23.61	3.04	22.82	22.82	3.37				
	57 (13.9)	27.06	27.06	2.06	26.30	26.30	2.26	25.45	25.45	2.49	24.56	24.56	2.75	23.61	23.61	3.04	22.82	22.82	3.37				
1000	72 (22.2)	33.24	17.79	2.15	32.12	17.39	2.35	30.93	16.97	2.57	29.70	16.54	2.82	28.42	16.10	3.10	27.09	15.64	3.43				
	67 (19.4)	30.34	22.33	2.14	29.32	21.94	2.34	28.20	21.50	2.56	27.02	21.04	2.82	25.80	20.56	3.10	24.52	20.07	3.43				
	63 (17.2)††	28.31	21.58	2.12	27.33	21.17	2.32	26.25	20.71	2.55	25.11	20.23	2.80	23.91	19.73	3.09	22.66	19.20	3.42				
	62 (16.7)	28.18	28.07	2.12	27.24	27.24	2.32	26.38	26.38	2.55	25.44	25.44	2.81	24.45	24.45	3.09	23.42	23.42	3.42				
	57 (13.9)	28.07	28.07	2.12	27.27	27.27	2.32	26.38	26.38	2.55	25.44	25.44	2.81	24.46	24.46	3.09	23.42	23.42	3.42				
1125	72 (22.2)	33.58	18.57	2.19	32.41	18.16	2.39	31.21	17.75	2.61	29.96	17.32	2.86	28.65	16.87	3.15	27.29	16.41	3.47				
	67 (19.4)	30.69	23.62	2.19	29.64	23.22	2.39	28.50	22.77	2.61	27.30	22.31	2.86	26.06	21.82	3.15	24.77	21.31	3.48				
	63 (17.2)††	28.65	22.78	2.17	27.85	22.36	2.37	26.54	21.90	2.60	25.38	21.41	2.85	24.17	20.89	3.14	22.92	20.35	3.47				
	62 (16.7)	28.93	28.85	2.18	28.06	28.06	2.38	27.13	27.13	2.60	26.16	26.16	2.86	25.14	25.14	3.15	24.07	24.07	3.47				
	57 (13.9)	28.89	28.89	2.17	28.06	28.06	2.38	27.14	27.14	2.60	26.16	26.16	2.86	25.14	25.14	3.15	24.08	24.08	3.47				

113R-A031-F Outdoor Section With CAR301A** Indoor Section**

COOLING INDOOR MODEL	CAPACITY		POWER	FURNACE MODEL	COOLING INDOOR MODEL	CAPACITY		POWER	FURNACE MODEL
	Total	Sens†				Total	Sens†		
*CAR**3617A**	1.00	1.00	0.91	315(A-J)V048090	CNRV**3617A**	0.99	0.99	0.91	315(A-J)V048090
CAR**3014A**	1.00	1.00	0.92	315(A-J)V048090	CSRH**3012A**	1.00	1.00	0.92	315(A-J)V048090
CAR**3617A**	1.00	1.00	0.92	315(A-J)V048090	CSRH**3612A**	1.00	1.00	0.92	315(A-J)V048090
CAR**3014A**	1.00	1.00	0.92	315(A-J)V060110	CAR**3621A**	1.00	1.00	0.92	315(A-J)V060110
CAR**3621A**	1.00	1.00	0.91	315(A-J)V060110	CNRH**3017A**	0.99	0.99	0.91	315(A-J)V060110
CNRH**3618A**	1.00	1.00	0.91	315(A-J)V060110	CNRH**3617A**	0.99	0.99	0.91	315(A-J)V060110
CNRH**3017A**	1.00	1.00	0.92	315(A-J)V060110	CNRV**3621A**	0.99	0.99	0.91	315(A-J)V060110
CNRV**3617A**	1.00	1.00	0.92	315(A-J)V060110	CSRH**3012A**	1.00	1.00	0.92	315(A-J)V060110
CNRV**3014A**	1.00	1.00	0.92	315(A-J)V060110	CSRH**3612A**	1.00	1.00	0.92	315(A-J)V060110
CNRV**3017A**	1.00	1.00	0.91	315(A-J)V066135	CNRH**3017A**	0.99	0.99	0.91	315(A-J)V066135
CNRV**3617A**	1.00	1.00	0.92	315(A-J)V066135	CNRH**3617A**	0.99	0.99	0.91	315(A-J)V066135
CNRV**3621A**	1.00	1.00	0.92	315(A-J)V066135	CSRH**3012A**	1.00	1.00	0.92	315(A-J)V066135
CSRH**3012A**	1.00	1.00	0.92	315(A-J)V066135	CSRH**3612A**	1.00	1.00	0.92	315(A-J)V066135
F4(CN)(F)C030	0.97	0.97	0.91	315(A-J)V066155	CNRH**3017A**	0.99	0.99	0.91	315(A-J)V066155
F4(DN)(F)B036	1.00	0.96	0.92	315(A-J)V066155	CSRH**3012A**	1.00	1.00	0.92	315(A-J)V066155
F4(DN)(F)030	1.00	0.94	0.92	315(A-J)V066155	CSRH**3612A**	1.00	1.00	0.92	315(A-J)V066155
FF1ENE036	1.00	1.00	0.92	353AAV036040	CAR**3017A**	1.00	1.00	0.92	353AAV036040
FK4DN(B,F)003	1.00	0.90	0.90	353AAV036040	CAR**3617A**	1.00	1.00	0.92	353AAV036040
FK4DN(B,F)005	1.00	0.90	0.90	353AAV036040	CNRH**3017A**	1.00	1.00	0.92	353AAV036040
FK4DN(F)002	0.99	0.93	0.92	353AAV036040	CNRV**3617A**	1.00	1.00	0.92	353AAV036040
CAR**3014A**	0.99	0.93	0.93	353AAV036040	CNRV**3017A**	1.00	1.00	0.92	353AAV036040
CAR**3617A**	0.99	0.93	0.93	353AAV036040	CSRH**3012A**	1.00	1.00	0.92	353AAV036040
CNRH**3017A**	0.99	0.93	0.93	353AAV036040	CSRH**3612A**	1.00	1.00	0.92	353AAV036040
CNRH**3617A**	0.99	0.93	0.93	353AAV036060	CAR**3017A**	1.00	1.00	0.92	353AAV036060
CNRV**3014A**	0.99	0.93	0.93	353AAV036060	CAR**3617A**	1.00	1.00	0.92	353AAV036060
CSRH**3012A**	1.00	0.94	0.92	353AAV036060	CNRH**3017A**	1.00	1.00	0.92	353AAV036060
CSRH**3612A**	1.00	0.92	0.92	353AAV036060	CNRH**3617A**	1.00	1.00	0.92	353AAV036060
CAR**3017A**	0.99	0.91	0.91	353AAV036060	CNRV**3017A**	1.00	1.00	0.92	353AAV036060
CAR**3617A**	0.99	0.91	0.91	353AAV036060	CSRH**3012A**	1.00	1.00	0.92	353AAV036060
CNRH**3017A**	0.99	0.91	0.91	353AAV036060	CSRH**3612A**	1.00	1.00	0.92	353AAV036060
CNRH**3617A**	0.99	0.91	0.91	353AAV036060	CAR**3017A**	1.00	1.00	0.92	353AAV036060
CNRV**3017A**	0.99	0.91	0.91	353AAV036060	CAR**3617A**	1.00	1.00	0.92	353AAV036060

DETAILED COOLING CAPACITIES#

113R* A031 – F Outdoor Section With CAR**3014A** Indoor Section

COOLING INDOOR MODEL	CAPACITY	POWER	FURNACE MODEL
CSRH*3012A**	1.00	0.94	355(A,C)AV060080
CSRH*3612A**	1.00	0.92	355(A,C)AV060080
CAR**3621A**	0.99	0.90	355(A,C)AV060100
CNRH*3017A**	0.99	0.93	355(A,C)AV060100
CNRH*3617A**	0.99	0.93	355(A,C)AV060100
CNRV*3621A**	0.99	0.93	355(A,C)AV060100
CSRH*3012A**	1.00	0.92	355(A,C)AV060100
CNRH*3017A**	0.99	0.91	355(A,C)AV060120
CNRH*3617A**	0.99	0.91	355(A,C)AV060120
CSRH*3012A**	1.00	0.92	355(A,C)AV060120
CNRH*3017A**	0.99	0.93	355AAV042040
CNRH*3617A**	0.99	0.93	355AAV042040
CSRH*3012A**	1.00	0.92	355AAV042040
CAR**3017A**	1.00	0.94	313*AV048070
CAR**3617A**	1.00	0.94	313*AV048070
CNRH*3017A**	1.00	0.94	313*AV048070
CNRH*3617A**	1.00	0.94	313*AV048070
CNRV*3017A**	1.00	0.94	313*AV048070
CNRV*3617A**	1.00	0.94	313*AV048070
CSRH*3012A**	1.00	0.94	313*AV048070
CSRH*3612A**	1.00	0.92	313*AV048070
CAR**3621A**	1.00	0.92	313*AV048090
CNRH*3017A**	1.00	0.94	313*AV048090
CNRH*3617A**	1.00	0.94	313*AV048090
CNRV*3621A**	1.00	0.94	313*AV048090
CSRH*3012A**	1.00	0.94	313*AV048090
CSRH*3612A**	1.00	0.92	313*AV048090

DETAILED COOLING CAPACITIES#

EVAPORATOR AIR		CONDENSER ENTERING AIR TEMPERATURES °F (°C)																	
		75 (23.9)			85 (29.4)			95 (35)			105 (40.6)			115 (46.1)			125 (51.7)		
CFM	EWB °F (°C)	Capacity MBtuh		Total System KW**	Capacity MBtuh		Total System KW**	Capacity MBtuh		Total System KW**	Capacity MBtuh		Total System KW**	Capacity MBtuh		Total System KW**			
		Total	Sens†		Total	Sens†		Total	Sens†		Total	Sens†		Total	Sens†				
113R*AO36—E-D Outdoor Section With CAR**3617 Indoor Section																			
	72 (22.2)	39.31	20.32	2.66	37.99	19.82	2.88	36.55	19.29	3.12	34.98	18.72	3.41	33.27	18.10	3.75	31.41	17.44	4.14
	67 (19.4)	35.87	25.00	2.63	34.65	24.50	2.85	33.31	23.96	3.10	31.84	23.37	3.39	30.24	22.73	3.73	28.47	22.04	4.13
1050	63 (17.2)††	33.37	24.19	2.60	32.22	23.68	2.82	30.95	22.53	3.07	29.55	22.53	3.36	28.01	21.87	3.70	26.31	21.14	4.10
	62 (16.7)	32.92	29.65	2.59	31.82	29.13	2.82	30.63	28.57	3.06	29.15	27.89	3.36	27.93	27.36	3.70	26.54	26.54	4.10
	57 (13.9)	32.17	32.17	2.56	31.27	31.27	2.81	30.27	30.27	3.06	29.15	29.15	3.36	27.91	27.91	3.70	26.54	26.54	4.10
	72 (22.2)	39.89	21.25	2.72	38.52	20.75	2.94	37.03	20.21	3.18	35.42	19.64	3.47	33.66	19.02	3.80	31.74	18.95	4.20
	67 (19.4)	36.44	26.53	2.70	35.18	26.03	2.91	33.80	25.48	3.16	32.30	24.89	3.45	30.65	24.24	3.79	28.84	23.53	4.19
1200	63 (17.2)††	33.93	25.63	2.67	32.75	25.12	2.89	31.44	24.56	3.14	30.00	23.95	3.43	28.42	23.28	3.76	26.68	22.54	4.16
	62 (16.7)	33.69	31.70	2.66	32.58	31.13	2.89	31.35	31.35	3.14	30.22	30.22	3.43	28.91	28.91	3.77	27.47	27.47	4.17
	57 (13.9)	33.42	33.42	2.66	32.46	32.46	2.88	31.40	31.40	3.14	30.22	30.22	3.43	28.92	28.92	3.77	27.48	27.48	4.17
	72 (22.2)	40.31	22.12	2.78	38.90	21.62	2.99	37.37	21.08	3.24	35.72	20.50	3.52	33.92	19.88	3.86	31.97	19.20	4.25
1350	67 (19.4)	36.89	28.00	2.76	35.58	27.48	2.98	34.17	26.93	3.22	32.63	26.33	3.51	30.95	25.67	3.85	29.13	24.94	4.25
	63 (17.2)††	34.38	27.01	2.73	33.16	26.49	2.95	31.82	25.92	3.20	30.35	25.30	3.49	28.74	24.61	3.83	26.98	23.85	4.23
	62 (16.7)	34.40	34.40	2.73	33.43	33.43	2.95	32.31	32.31	3.21	31.08	31.08	3.50	29.72	29.72	3.84	28.22	28.22	4.24
	57 (13.9)	34.45	34.45	2.73	33.43	33.43	2.95	32.32	32.32	3.21	31.08	31.08	3.50	29.72	29.72	3.84	28.22	28.22	4.24

COOLING INDOOR MODEL	CAPACITY	POWER	FURNACE MODEL	COOLING INDOOR MODEL			FURNACE MODEL				
				CAPACITY	POWER	FURNACE MODEL	CAPACITY	POWER	FURNACE MODEL		
*CAR**3617A**	1.00	1.00		CAR**4221A**	1.01	0.94	315(A-JAV)060110	CAR**3617A**	1.02	0.95	353AAV048080
CAR**3614A**	0.98	0.98		CNRH**3617A**	0.99	0.95	315(A-JAV)060110	CNRH**3617A**	0.99	0.95	353AAV048080
CAR**3621A**	1.00	1.00		CNRH**4221A**	1.01	0.94	315(A-JAV)060110	CNRH**4221A**	1.02	0.95	353AAV048080
CAR**4221A**	1.01	1.01		CNRV**3621A**	0.99	0.95	315(A-JAV)060110	CNRV**3621A**	1.02	0.95	353AAV048080
CNRV**4221A**	1.01	1.01		CNRV**4221A**	1.01	0.94	315(A-JAV)060110	CNRV**4221A**	1.02	0.95	353AAV048080
CNRV**3618A**	1.00	1.00		CSRH**3612A**	0.99	0.93	315(A-JAV)060110	CSRH**3612A**	1.02	0.95	353AAV048080
CNRH**3617A**	1.00	1.00		CSRH**4212A**	1.01	0.94	315(A-JAV)060110	CSRH**4212A**	1.02	0.95	353AAV060100
CNRH**4221A**	1.01	1.01		CAR**4224A**	1.01	0.94	315(A-JAV)066135	CAR**4221A**	1.02	0.95	353AAV060100
CNRV**3617A**	1.00	1.00		CNRH**3617A**	0.99	0.93	315(A-JAV)066135	CNRH**3617A**	1.02	0.95	353AAV060100
CNRV**4221A**	1.00	1.00		CNRH**4221A**	1.01	0.94	315(A-JAV)066135	CNRH**4221A**	1.02	0.95	353AAV060100
CNRV**3612A**	1.01	1.01		CSRH**3612A**	0.99	0.93	315(A-JAV)066135	CNRV**3621A**	1.02	0.95	353AAV060100
CSRH**4212A**	1.01	1.01		CSRH**4212A**	1.01	0.94	315(A-JAV)066135	CNRV**4221A**	1.02	0.95	353AAV060100
FA4CN(F,C)036	1.00	1.02		CAR**4224A**	1.01	0.94	315(A-JAV)066155	CSRH**4212A**	1.02	0.95	353AAV060100
FA4CN(F,C)042	1.02	1.02		CNRH**4221A**	1.01	0.94	315(A-JAV)066155	CAR**4224A**	1.02	0.96	355(A-CJAV)042040
FC4DN(F,B)036	1.02	0.98		CSRH**3612A**	0.99	0.93	315(A-JAV)066155	CNRH**3617A**	1.00	0.95	355(A-CJAV)042040
FC4DN(F,B)042	1.05	1.00		CSRH**4212A**	1.01	0.94	315(A-JAV)066155	CNRH**4221A**	1.00	0.96	355(A-CJAV)042040
FF4ENE036	1.02	1.02		CAR**3617A**	1.02	0.95	353AAV036040	CSRH**3612A**	1.00	0.93	355(A-CJAV)042040
FK4DN(B,F)003	1.02	0.95		CNRH**3617A**	1.02	0.95	353AAV036040	CSRH**4212A**	1.00	0.93	355(A-CJAV)042040
FK4DN(B,F)005	1.06	0.99		CNRH**4221A**	1.02	0.95	353AAV036040	CAR**3617A**	1.00	0.96	355(A-CJAV)042080
FK4DNB006	1.07	1.00		CNRV**3617A**	1.02	0.95	353AAV036040	CNRH**3617A**	0.99	0.95	355(A-CJAV)042080
FK4DNF001	1.00	0.96		CSRH**3612A**	1.02	0.95	353AAV036040	CNRH**4221A**	1.01	0.94	355(A-CJAV)042080
FK4DNF002	1.01	0.97		CSRH**4212A**	1.02	0.95	353AAV036040	CNRV**3617A**	0.99	0.95	355(A-CJAV)042080
CAR**3614A**	0.98	0.93	315(A-JAV)036070	CAR**3617A**	1.02	0.95	353AAV036060	CSRH**3612A**	0.99	0.93	355(A-CJAV)042080
CNRH**3617A**	0.99	0.95	315(A-JAV)036070	CNRH**3617A**	1.02	0.95	353AAV036060	CSRH**4212A**	1.00	0.93	355(A-CJAV)042080
CNRH**4221A**	1.00	0.96	315(A-JAV)036070	CNRH**4221A**	1.02	0.95	353AAV036060	CAR**3621A**	0.99	0.95	355(A-CJAV)042080
CSRH**3612A**	0.99	0.93	315(A-JAV)036070	CNRV**3617A**	1.02	0.95	353AAV036060	CAR**4221A**	1.01	0.94	355(A-CJAV)042080
CSRH**4212A**	1.00	0.93	315(A-JAV)036070	CSRH**3612A**	1.02	0.95	353AAV036060	CNRH**3617A**	0.99	0.95	355(A-CJAV)042080
CAR**3617A**	0.99	0.93	315(A-JAV)048090	CSRH**4212A**	1.02	0.95	353AAV036060	CNRH**4221A**	1.00	0.96	355(A-CJAV)042080
CNRH**3617A**	0.99	0.95	315(A-JAV)048090	CAR**3617A**	1.02	0.95	353AAV036080	CNRV**3617A**	0.99	0.95	355(A-CJAV)042080
CNRH**4221A**	1.01	0.94	315(A-JAV)048090	CNRH**3617A**	1.02	0.95	353AAV036080	CNRH**4221A**	1.00	0.96	355(A-CJAV)042080
CNRV**3617A**	0.99	0.93	315(A-JAV)048090	CNRH**4221A**	1.02	0.95	353AAV036080	CSRH**3612A**	0.99	0.93	355(A-CJAV)042080
CSRH**3612A**	0.99	0.93	315(A-JAV)048090	CNRV**3617A**	1.02	0.95	353AAV036080	CSRH**4212A**	1.00	0.93	355(A-CJAV)042080
CSRH**4212A**	1.01	0.94	315(A-JAV)048090	CSRH**3612A**	1.02	0.95	353AAV036080	CAR**3621A**	0.99	0.93	355(A-CJAV)060080
CAR**3621A**	0.99	0.93	315(A-JAV)060110	CSRH**4212A**	1.02	0.95	353AAV036080	CAR**4221A**	1.00	0.93	355(A-CJAV)060080

DETAILED COOLING CAPACITIES#

113R*A036—E,D Outdoor Section With CAR**3617 Indoor Section

COOLING INDOOR MODEL	CAPACITY	POWER	FURNACE MODEL
CNRH*3617A**	0.99	0.95	355(A,C)AV060080
CNRH*4221A**	1.00	0.93	355(A,C)AV060080
CNRV*3621A**	0.99	0.95	355(A,C)AV060080
CNRV*4221A**	1.00	0.93	355(A,C)AV060080
CSRH*3612A**	1.00	0.93	355(A,C)AV060080
CSRH*4212A**	1.00	0.93	355(A,C)AV060100
CAR**3621A**	1.01	0.94	355(A,C)AV060100
CNRH*3617A**	0.99	0.95	355(A,C)AV060100
CNRH*4221A**	1.01	0.94	355(A,C)AV060100
CNRV*3621A**	0.99	0.95	355(A,C)AV060100
CNRV*4221A**	1.01	0.94	355(A,C)AV060100
CSRH*3612A**	0.99	0.93	355(A,C)AV060100
CSRH*4212A**	1.01	0.94	355(A,C)AV060100
CAR**4224A**	1.01	0.94	355(A,C)AV060120
CNRH*3617A**	0.99	0.95	355(A,C)AV060120
CNRH*4221A**	1.01	0.94	355(A,C)AV060120
CSRH*3612A**	0.99	0.93	355(A,C)AV060120
CSRH*4212A**	1.01	0.94	355(A,C)AV060120
CAR**3617A**	0.99	0.99	313*AV024045
CNRH*3617A**	1.02	1.02	313*AV024045
CNRH*4221A**	1.03	1.00	313*AV024045
CSRH*3612A**	1.02	1.02	313*AV024045
CSRH*4212A**	1.03	1.00	313*AV024045
CAR**3617A**	1.02	0.98	313*AV048070
CNRH*3617A**	1.02	0.97	313*AV048070
CNRH*4221A**	1.04	0.99	313*AV048070
CNRV*3617A**	1.02	0.97	313*AV048070
CSRH*3612A**	1.02	0.97	313*AV048070
CSRH*4212A**	1.04	0.99	313*AV048070
CAR**3621A**	1.04	0.97	313*AV048090
CAR**4221A**	1.04	0.97	313*AV048090
CNRH*3617A**	1.02	0.96	313*AV048090
CNRH*4221A**	1.04	0.97	313*AV048090
CNRV*3621A**	1.02	0.96	313*AV048090
CNRV*4221A**	1.04	0.97	313*AV048090
CSRH*3612A**	1.02	0.96	313*AV048090
CSRH*4212A**	1.04	0.97	313*AV048090
CAR**3621A**	1.04	0.97	313*AV060110
CAR**4221A**	1.05	0.98	313*AV060110
CNRH*3617A**	1.03	0.96	313*AV060110
CNRH*4221A**	1.05	0.98	313*AV060110
CNRV*3621A**	1.03	0.96	313*AV060110
CNRV*4221A**	1.05	0.98	313*AV060110
CSRH*3612A**	1.03	0.96	313*AV060110
CSRH*4212A**	1.05	0.98	313*AV060110

See notes on page 58

DETAILED COOLING CAPACITIES#

EVAPORATOR AIR		CONDENSER ENTERING AIR TEMPERATURES °F (°C)												
		75 (25.9)		85 (29.4)		95 (35)		105 (40.6)		115 (46.1)		125 (51.7)		
CFM	EWB °F (°C)	Capacity MBtuh		Total System KW**	Capacity MBtuh		Total System KW**	Capacity MBtuh		Total System KW**	Capacity MBtuh		Total System KW**	
		Total	Sens†		Total	Sens†		Total	Sens†		Total	Sens†		
113R* A042 - C Outdoor Section With CAR**2414** Indoor Section														
1225	72 (22.2)	47.43	45.76	24.44	3.24	44.00	23.78	3.59	42.17	23.09	3.96	40.25	22.38	4.37
	67 (19.4)	43.05	30.75	30.10	3.21	39.88	29.42	3.55	38.19	28.73	3.93	36.42	28.02	4.30
	63 (17.2)††	39.93	29.69	29.04	3.19	36.98	28.36	3.53	35.37	27.67	3.90	33.71	26.94	4.30
	57 (13.9)	38.53	36.42	35.75	3.18	36.20	36.20	3.52	34.93	34.93	3.90	33.60	33.60	4.30
	72 (22.2)	48.20	28.23	25.58	3.31	44.63	24.91	3.66	42.73	24.22	4.03	40.74	23.50	4.44
1400	67 (19.4)	43.77	32.62	31.97	3.28	40.50	31.29	3.62	38.76	30.59	4.00	36.94	29.86	4.41
	63 (17.2)††	40.62	39.12	30.79	3.26	37.55	30.11	3.60	35.92	29.40	3.97	34.20	28.66	4.37
	62 (16.7)	40.32	38.94	38.20	3.26	37.49	37.49	3.60	36.22	36.22	3.97	34.80	34.80	4.38
	57 (13.9)	40.04	40.04	38.83	3.26	37.56	37.56	3.60	36.22	36.22	3.97	34.80	34.80	4.38
	72 (22.2)	48.78	27.35	26.69	3.38	45.10	26.01	3.73	43.15	25.31	4.10	41.10	24.58	4.52
1575	67 (19.4)	44.37	34.46	33.80	3.35	41.00	33.11	3.69	39.21	32.40	4.07	37.34	31.65	4.48
	63 (17.2)††	41.19	33.18	32.51	3.33	38.03	31.81	3.67	36.35	31.08	4.04	34.60	30.32	4.45
	62 (16.7)	41.24	41.24	40.02	3.33	38.68	38.68	3.67	37.27	37.27	4.05	35.78	35.78	4.46
	57 (13.9)	41.30	41.30	40.02	3.33	38.68	38.68	3.67	37.27	37.27	4.05	35.79	35.79	4.46

COOLING INDOOR MODEL	CAPACITY	POWER	FURNACE MODEL	COOLING INDOOR MODEL	CAPACITY	POWER	FURNACE MODEL	COOLING INDOOR MODEL	CAPACITY	POWER	FURNACE MODEL	COOLING INDOOR MODEL	CAPACITY	POWER	FURNACE MODEL
CAR**4224A**	1.00	1.00		CSRH**4812A**	1.00	0.96	315(A-JAV)060110	CAR**4812A**	1.00	0.93	353AAV060100	CAR**4221A**	0.99	0.93	353AAV060100
CAR**4817A**	1.00	1.00		CAR**4224A**	1.00	0.96	315(A-JAV)066135	CAR**4224A**	1.00	0.92	353AAV060100	CAR**4821A**	1.00	0.92	353AAV060100
CAR**4824A**	1.02	1.02		CAR**4824A**	1.01	0.97	315(A-JAV)066135	CAR**4824A**	1.01	0.97	353AAV060100	CNRH**4221A**	0.99	0.93	353AAV060100
CAR**4824A**	1.00	1.00		CNRH**4221A**	1.01	0.97	315(A-JAV)066135	CNRH**4221A**	1.01	0.97	353AAV060100	CNRH**4821A**	1.00	0.93	353AAV060100
CNRH**4818A**	1.00	1.00		CNRH**4824A**	1.01	0.97	315(A-JAV)066135	CNRH**4824A**	1.01	0.97	353AAV060100	CNRV**4221A**	0.99	0.93	353AAV060100
CNRH**4221A**	1.00	1.00		CNRH**4212A**	0.99	0.94	315(A-JAV)066135	CNRH**4212A**	0.99	0.92	353AAV060100	CNRV**4821A**	1.00	0.92	353AAV060100
CNRH**4821A**	1.02	1.02		CNRH**4812A**	1.00	0.96	315(A-JAV)066135	CNRH**4812A**	1.00	0.92	353AAV060100	CSRH**4212A**	1.00	0.92	353AAV060100
FA4CN(F)C048	1.02	1.01		CAR**4224A**	1.00	0.96	315(A-JAV)066155	CAR**4224A**	1.00	0.92	353AAV060120	CAR**4224A**	1.00	0.92	353AAV060120
FA4CN(F)C048	1.02	1.02		CAR**4824A**	1.01	0.97	315(A-JAV)066155	CAR**4824A**	1.01	0.97	353AAV060120	CAR**4824A**	1.00	0.92	353AAV060120
FA4DN(F)B048	1.05	1.00		CNRH**4221A**	0.99	0.94	315(A-JAV)066155	CNRH**4221A**	0.99	0.94	353AAV060120	CNRH**4221A**	1.00	0.94	353AAV060120
FA4DN(F)B003	0.99	0.94		CNRH**4821A**	1.01	0.97	315(A-JAV)066155	CNRH**4821A**	1.01	0.97	353AAV060120	CNRH**4821A**	1.00	0.92	353AAV060120
FA4DN(F)B005	1.04	0.99		CNRH**4824A**	1.01	0.97	315(A-JAV)066155	CNRH**4824A**	1.01	0.97	353AAV060120	CNRV**4824A**	1.00	0.92	353AAV060120
FA4DN(B)006	1.05	1.00		CSRH**4212A**	1.00	0.94	353AAV036040	CSRH**4212A**	1.00	0.94	353AAV036040	CSRH**4212A**	1.01	0.99	355(A-CJAV)042040
CNRH**4221A**	0.99	0.97	315(A-JAV)036070	CSRH**4812A**	1.00	0.94	353AAV036040	CSRH**4812A**	1.00	0.94	353AAV036040	CNRV**4824A**	1.01	0.99	355(A-CJAV)042040
CNRH**4821A**	1.01	0.99	315(A-JAV)036070	CAR**4817A**	1.00	0.94	353AAV036060	CAR**4817A**	1.00	0.94	353AAV036060	CSRH**4212A**	0.99	0.97	355(A-CJAV)042040
CSRH**4212A**	0.99	0.97	315(A-JAV)036070	CNRH**4221A**	0.99	0.93	353AAV036060	CNRH**4221A**	0.99	0.93	353AAV036060	CSRH**4812A**	1.00	0.98	355(A-CJAV)042080
CSRH**4812A**	1.00	0.98	315(A-JAV)036070	CNRH**4821A**	1.00	0.94	353AAV036060	CNRH**4821A**	1.00	0.94	353AAV036060	CAR**4817A**	0.99	0.97	355(A-CJAV)042080
CAR**4817A**	0.99	0.94	315(A-JAV)040900	CSRH**4212A**	1.00	0.94	353AAV036060	CSRH**4212A**	1.00	0.94	353AAV036060	CNRH**4221A**	0.99	0.97	355(A-CJAV)042080
CNRH**4212A**	0.99	0.94	315(A-JAV)040900	CNRH**4812A**	1.00	0.94	353AAV036060	CNRH**4812A**	1.00	0.94	353AAV036060	CNRH**4821A**	1.01	0.99	355(A-CJAV)042080
CNRH**4812A**	1.01	0.97	315(A-JAV)040900	CAR**4817A**	1.00	0.94	353AAV036080	CAR**4817A**	1.00	0.94	353AAV036080	CSRH**4212A**	0.99	0.97	355(A-CJAV)042080
CSRH**4212A**	0.99	0.94	315(A-JAV)040900	CNRH**4221A**	0.99	0.93	353AAV036080	CNRH**4221A**	0.99	0.93	353AAV036080	CSRH**4812A**	1.00	0.98	355(A-CJAV)042080
CSRH**4812A**	1.00	0.96	315(A-JAV)040900	CNRH**4821A**	1.00	0.94	353AAV036080	CNRH**4821A**	1.00	0.94	353AAV036080	CAR**4221A**	0.99	0.97	355(A-CJAV)042080
CAR**4221A**	1.00	0.98	315(A-JAV)060110	CSRH**4212A**	1.00	0.94	353AAV036080	CSRH**4212A**	1.00	0.94	353AAV036080	CNRH**4221A**	0.99	0.97	355(A-CJAV)042080
CAR**4821A**	1.01	0.97	315(A-JAV)060110	CNRH**4812A**	1.00	0.94	353AAV036080	CNRH**4812A**	1.00	0.94	353AAV036080	CNRH**4821A**	1.01	0.99	355(A-CJAV)042080
CNRH**4221A**	0.99	0.94	315(A-JAV)060110	CAR**4817A**	1.00	0.94	353AAV040800	CAR**4817A**	1.00	0.94	353AAV040800	CNRV**4221A**	0.99	0.97	355(A-CJAV)042080
CNRH**4821A**	1.01	0.97	315(A-JAV)060110	CNRH**4221A**	0.99	0.93	353AAV040800	CNRH**4221A**	0.99	0.93	353AAV040800	CNRV**4821A**	1.01	0.99	355(A-CJAV)042080
CNRH**4821A**	0.99	0.94	315(A-JAV)060110	CNRH**4821A**	1.00	0.94	353AAV040800	CNRH**4821A**	1.00	0.94	353AAV040800	CSRH**4212A**	0.99	0.97	355(A-CJAV)042080
CNRV**4221A**	0.99	0.94	315(A-JAV)060110	CSRH**4212A**	1.00	0.94	353AAV040800	CSRH**4212A**	1.00	0.94	353AAV040800	CSRH**4212A**	1.01	0.99	355(A-CJAV)042080
CNRV**4821A**	1.01	0.97	315(A-JAV)060110												

DETAILED COOLING CAPACITIES#

113R*4042 - C Outdoor Section With CAR**2414** Indoor Section

COOLING INDOOR MODEL	CAPACITY	POWER	FURNACE MODEL
CSRH*4812A**	1.00	0.98	355(A,C)AV042080
CAR**4221A**	0.99	0.97	355(A,C)AV060080
CAR**4821A**	1.01	0.99	355(A,C)AV060080
CNRH*4221A**	0.99	0.97	355(A,C)AV060080
CNRH*4821A**	1.01	0.99	355(A,C)AV060080
CNRV*4221A**	1.01	0.99	355(A,C)AV060080
CSRH*4212A**	0.99	0.97	355(A,C)AV060080
CSRH*4812A**	1.00	0.98	355(A,C)AV060080
CAR**4221A**	0.99	0.97	355(A,C)AV060100
CAR**4821A**	1.01	0.97	355(A,C)AV060100
CNRH*4221A**	0.99	0.94	355(A,C)AV060100
CNRH*4821A**	1.01	0.97	355(A,C)AV060100
CNRV*4221A**	0.99	0.94	355(A,C)AV060100
CNRV*4821A**	1.01	0.97	355(A,C)AV060100
CSRH*4212A**	0.99	0.94	355(A,C)AV060100
CSRH*4812A**	1.00	0.96	355(A,C)AV060100
CAR**4224A**	0.99	0.97	355(A,C)AV060120
CAR**4824A**	1.01	0.97	355(A,C)AV060120
CNRH*4221A**	0.99	0.94	355(A,C)AV060120
CNRH*4821A**	1.01	0.97	355(A,C)AV060120
CNRV*4824A**	1.01	0.97	355(A,C)AV060120
CSRH*4212A**	0.99	0.94	355(A,C)AV060120
CSRH*4812A**	1.00	0.96	355(A,C)AV060120
CAR**4817A**	0.98	0.93	313*AV048070
CNRH*4221A**	0.98	0.96	313*AV048070
CNRH*4821A**	1.00	0.96	313*AV048070
CSRH*4212A**	0.99	0.94	313*AV048070
CSRH*4812A**	1.00	0.96	313*AV048070
CAR**4221A**	0.99	0.93	313*AV048090
CAR**4821A**	1.00	0.92	313*AV048090
CNRH*4221A**	0.99	0.93	313*AV048090
CNRH*4821A**	1.00	0.92	313*AV048090
CNRV*4221A**	0.99	0.93	313*AV048090
CNRV*4821A**	1.00	0.92	313*AV048090
CSRH*4212A**	0.99	0.92	313*AV048090
CSRH*4812A**	1.00	0.92	313*AV048090
CAR**4221A**	0.99	0.93	313*AV060110
CAR**4821A**	1.00	0.92	313*AV060110
CNRH*4221A**	0.99	0.93	313*AV060110
CNRH*4821A**	1.00	0.92	313*AV060110
CNRV*4221A**	0.99	0.93	313*AV060110
CNRV*4821A**	1.00	0.92	313*AV060110
CSRH*4212A**	0.99	0.93	313*AV060110
CSRH*4812A**	1.00	0.92	313*AV060110
CAR**4224A**	0.99	0.93	313*AV060135
CAR**4824A**	1.00	0.92	313*AV060135
CNRH*4221A**	0.99	0.93	313*AV060135
CNRH*4821A**	1.00	0.92	313*AV060135
CNRV*4824A**	1.00	0.92	313*AV060135
CSRH*4212A**	0.99	0.93	313*AV060135
CSRH*4812A**	1.00	0.92	313*AV060135

See notes on page 58

DETAILED COOLING CAPACITIES#

EVAPORATOR AIR		CONDENSER ENTERING AIR TEMPERATURES °F (°C)															
		75 (23.9)		85 (29.4)		95 (36)		105 (40.6)		115 (46.1)		125 (51.7)					
CFM	EWB °F (°C)	Capacity MBtuh		Total Sys-tem KW**	Capacity MBtuh		Total Sys-tem KW**	Capacity MBtuh		Total Sys-tem KW**	Capacity MBtuh		Total Sys-tem KW**				
		Total	Sens†		Total	Sens†		Total	Sens†		Total	Sens†					
1400	72 (22.2)	54.12	28.28	3.41	27.51	49.95	26.68	4.04	47.78	25.86	4.41	45.58	25.04	4.82	43.34	24.21	5.27
	67 (19.4)	49.26	34.53	3.38	33.67	45.19	32.81	3.99	43.16	31.97	4.35	41.08	31.12	4.74	38.98	30.27	5.18
	63 (17.2)††	45.54	39.30	3.35	32.45	41.76	31.59	3.95	39.82	30.74	4.30	37.86	29.87	4.68	35.85	29.01	5.10
	62 (16.7)	44.79	40.67	3.34	32.78	42.95	32.78	3.94	39.27	31.89	4.29	37.46	31.03	4.68	35.80	30.80	5.11
	57 (13.9)	43.36	43.36	3.33	41.90	40.41	40.41	3.93	38.91	38.91	4.28	37.37	37.37	4.67	35.80	35.80	5.11
	52 (15.6)	55.34	29.69	3.50	28.85	50.82	28.01	4.13	48.57	27.18	4.50	46.28	26.35	4.90	43.96	25.51	5.36
1600	72 (22.2)	50.23	36.68	3.46	35.81	46.00	34.94	4.07	43.90	34.09	4.43	41.76	33.24	4.83	39.60	32.37	5.27
	67 (19.4)††	46.46	35.33	3.43	34.48	42.53	33.59	4.03	40.54	32.73	4.38	38.51	31.86	4.77	36.45	30.97	5.19
	62 (16.7)	45.90	43.58	3.43	42.64	44.03	42.64	4.03	40.47	40.47	4.38	38.85	38.85	4.78	37.19	37.19	5.22
	57 (13.9)	45.23	45.23	3.42	43.66	42.08	42.08	4.03	40.48	40.48	4.39	38.86	38.86	4.78	37.19	37.19	5.22
	72 (22.2)	56.11	30.96	3.58	30.10	51.45	29.25	4.21	49.13	28.41	4.58	46.79	27.58	4.99	44.41	28.73	5.44
	67 (19.4)	50.96	36.71	3.54	37.84	46.61	36.97	4.16	44.45	36.10	4.52	42.27	35.24	4.92	40.06	34.36	5.36
1800	63 (17.2)††	47.15	37.24	3.51	36.36	43.11	35.49	4.11	41.08	34.61	4.47	39.01	33.72	4.86	36.90	32.82	5.28
	62 (16.7)	46.90	46.19	3.51	45.07	43.45	43.45	4.12	41.77	41.77	4.48	40.06	40.06	4.88	38.32	38.32	5.32
	57 (13.9)	46.76	46.76	3.51	45.12	43.45	43.45	4.12	41.77	41.77	4.48	40.07	40.07	4.88	38.33	38.33	5.32

COOLING INDOOR MODEL	CAPACITY		POWER	FURNACE MODEL	
	Total	Sens†		Total	Sens†
*CAR**4821A**	1.00	1.00	1.00	315(A)JAV066155	
CAR**4817A**	0.98	0.98	0.98	315(A)JAV066155	
CAR**4824A**	1.01	1.01	1.01	315(A)JAV066155	
CAR**6021A**	1.03	1.03	1.03	315(A)JAV066155	
CAR**6024A**	1.03	1.03	1.03	315(A)JAV066155	
CNRH**4818A**	0.98	0.98	0.98	315(A)JAV066155	
CNRH**4821A**	1.00	1.00	1.00	315(A)JAV066155	
CNRH**6024A**	1.03	1.03	1.03	353AAV048080	
CNRH**4821A**	1.00	1.00	1.00	353AAV048080	
CNRH**4824A**	1.01	1.01	0.95	353AAV060100	
CNRH**6024A**	1.03	1.03	0.94	353AAV060100	
CNRH**4812A**	1.03	1.03	0.94	353AAV060100	
CNRH**6012A**	1.03	1.03	0.94	353AAV060100	
F4ACNF(C)048	1.02	1.02	1.02	353AAV060100	
F4ACNF(C)060	1.04	1.04	1.04	353AAV060100	
F4ADNF(FB)048	1.03	1.01	1.01	353AAV060100	
F4ADNF(FB)060	1.05	1.01	1.01	353AAV060100	
F4ADNF(F)005	1.02	0.98	0.98	353AAV060100	
F4ADNF(B)005	1.03	0.99	0.99	353AAV060100	
CAR**4817A**	0.97	0.97	0.97	315(A)JAV048090	
CNRH**4821A**	0.98	0.98	0.98	315(A)JAV048090	
CNRH**6024A**	1.01	0.99	0.99	315(A)JAV060110	
CNRH**4812A**	1.01	0.99	0.99	315(A)JAV060110	
CNRH**6012A**	1.01	0.99	0.99	315(A)JAV060110	
CNRH**4821A**	0.98	0.98	0.98	315(A)JAV060110	
CNRH**4812A**	0.98	0.98	0.98	315(A)JAV060110	
CNRH**6012A**	1.01	0.99	0.99	315(A)JAV060110	
CAR**4824A**	1.01	0.99	0.99	315(A)JAV060110	
CNRH**4821A**	0.98	0.98	0.98	315(A)JAV060110	
CNRH**6012A**	1.01	0.99	0.99	315(A)JAV060110	
CAR**4824A**	1.01	0.99	0.99	315(A)JAV060110	
CNRH**4821A**	0.98	0.98	0.98	315(A)JAV060110	
CNRH**6024A**	1.01	0.99	0.99	315(A)JAV060110	
CNRH**4812A**	0.98	0.98	0.98	315(A)JAV060110	
CNRH**6012A**	1.01	0.99	0.99	315(A)JAV060110	
CAR**4824A**	1.01	0.99	0.99	315(A)JAV060110	

COOLING INDOOR MODEL	CAPACITY		POWER	FURNACE MODEL	
	Total	Sens†		Total	Sens†
CNRH**4821A**	0.98	0.98	0.98	355(A)CJAV060120	
CNRH**6024A**	1.01	0.99	0.99	355(A)CJAV060120	
CNRV**4824A**	1.01	0.99	0.99	355(A)CJAV060120	
CNRV**6024A**	1.01	0.99	0.99	355(A)CJAV060120	
CSRH**4812A**	0.98	0.98	0.98	355(A)CJAV060120	
CSRH**6012A**	1.01	0.99	0.99	355(A)CJAV060120	
CAR**4821A**	0.99	0.95	0.95	313*AV048090	
CAR**6021A**	1.01	0.95	0.95	313*AV048090	
CNRH**4821A**	0.99	0.95	0.95	313*AV048090	
CNRH**6024A**	1.02	0.96	0.96	313*AV048090	
CNRV**4821A**	0.99	0.95	0.95	313*AV048090	
CNRV**6024A**	1.02	0.96	0.96	313*AV048090	
CSRH**4812A**	0.99	0.95	0.95	313*AV048090	
CSRH**6012A**	1.02	0.96	0.96	313*AV048090	
CAR**4821A**	0.99	0.93	0.93	313*AV060110	
CAR**6021A**	1.01	0.93	0.93	313*AV060110	
CNRH**4821A**	0.99	0.93	0.93	313*AV060110	
CNRH**6024A**	1.02	0.94	0.94	313*AV060110	
CNRV**4821A**	0.99	0.93	0.93	313*AV060110	
CNRV**6024A**	1.02	0.94	0.94	313*AV060110	
CSRH**4812A**	0.99	0.93	0.93	313*AV060110	
CSRH**6012A**	1.02	0.94	0.94	313*AV060110	
CAR**4824A**	1.02	0.96	0.96	313*AV060135	
CAR**6024A**	1.02	0.96	0.96	313*AV060135	
CNRH**4821A**	0.99	0.93	0.93	313*AV060135	
CNRH**6024A**	1.02	0.96	0.96	313*AV060135	
CNRV**4821A**	0.99	0.93	0.93	313*AV060135	
CNRV**6024A**	1.02	0.96	0.96	313*AV060135	
CSRH**4812A**	0.99	0.93	0.93	313*AV060135	
CSRH**6012A**	1.02	0.96	0.96	313*AV060135	
CAR**4824A**	1.02	0.96	0.96	313*AV060135	

See notes on page 58

DETAILED COOLING CAPACITIES#

EVAPORATOR AIR		CONDENSER ENTERING AIR TEMPERATURES °F (°C)											
CFM	EWB °F (°C)	75 (23.9)		85 (29.4)		95 (35)		105 (40.6)		115 (46.1)		125 (51.7)	
		Capacity MBtuh Total	Sens†	Capacity MBtuh Total	Sens†	Capacity MBtuh Total	Sens†	Capacity MBtuh Total	Sens†	Capacity MBtuh Total	Sens†	Capacity MBtuh Total	Sens†
1700	72 (22.2)	66.33	34.22	4.34	33.30	4.71	32.37	5.15	31.40	5.67	30.38	6.29	29.31
	67 (19.4)	60.54	42.01	4.27	31.09	4.65	29.81	5.09	28.16	5.61	26.92	6.22	25.84
	63 (17.2)†	56.35	40.68	4.21	29.76	4.59	28.81	5.04	27.81	5.55	26.75	6.16	25.61
	62 (16.7)	55.46	49.74	4.20	28.79	4.58	27.80	5.03	26.83	5.54	25.79	6.15	24.71
	57 (13.9)	53.96	52.35	4.18	25.35	4.57	24.83	5.02	23.83	5.44	22.86	6.15	21.87
	72 (22.2)	67.45	35.90	4.45	34.97	4.82	34.02	5.26	33.04	5.78	32.01	6.39	30.93
1950	67 (19.4)	61.64	44.75	4.38	43.82	4.76	42.86	5.20	41.86	5.72	40.80	6.33	39.67
	63 (17.2)†	57.43	49.26	4.32	42.33	4.71	41.36	5.15	40.34	5.67	39.26	6.27	38.09
	62 (16.7)	56.80	53.41	4.32	42.33	4.70	41.36	5.15	40.34	5.67	39.26	6.27	38.09
	57 (13.9)	56.20	56.20	4.31	54.47	4.70	52.65	5.15	50.70	5.67	48.61	6.29	46.34
	72 (22.2)	68.26	37.49	4.56	36.55	4.92	35.59	5.36	34.59	5.88	33.56	6.49	32.47
	67 (19.4)	62.46	47.37	4.49	46.41	4.87	45.44	5.31	44.41	5.83	43.33	6.44	42.18
2200	63 (17.2)†	58.22	45.71	4.43	44.76	4.81	43.77	5.26	42.73	5.77	41.62	6.38	40.42
	62 (16.7)	57.95	57.95	4.43	56.18	4.82	54.25	5.27	52.20	5.79	50.00	6.41	47.82
	57 (13.9)	58.01	58.01	4.43	56.18	4.82	54.26	5.27	52.20	5.79	50.00	6.41	47.82

COOLING INDOOR MODEL	CAPACITY	POWER	FURNACE MODEL	
			FURNACE MODEL	POWER
*CAR**6024A**	1.00	1.00	315(A-J)AV066135	0.98
CAR**6021A**	0.99	0.99	315(A-J)AV066155	0.98
CNRH**6024A**	1.00	1.00	315(A-J)AV066155	0.95
CNRV**6024A**	1.00	1.00	315(A-J)AV066155	0.96
CSRH**6012A**	1.00	1.00	315(A-J)AV066155	0.96
FA4CN(B,C)080	1.00	1.00	353AAV060100	0.99
FC4DN(F,B)060	1.00	0.98	353AAV060100	0.99
FK4DN(B)006	1.01	0.95	353AAV060100	1.00
CAR**6024A**	0.96	0.96	315(A-J)AV066135	0.99
CNRH**6024A**	0.98	0.96	315(A-J)AV066135	0.99
CNRV**6024A**	0.99	0.99	315(A-J)AV066135	0.99

COOLING INDOOR MODEL	CAPACITY	POWER	FURNACE MODEL	
			FURNACE MODEL	POWER
CSRH**6012A**	1.00	1.00	353AAV060120	0.98
CAR**6021A**	0.97	0.97	313*AV048090	0.98
CNRH**6024A**	0.98	0.98	313*AV048090	0.98
CSRH**6012A**	0.98	0.96	313*AV060110	0.97
CAR**6021A**	0.99	0.97	313*AV060110	0.98
CNRH**6024A**	1.00	0.98	313*AV060110	0.97
CAR**6024A**	0.99	0.97	313*AV060135	0.97
CNRH**6024A**	0.99	0.97	313*AV060135	0.97
CNRV**6024A**	1.00	0.98	313*AV060135	0.98

* Tested Combination

† Total and sensible capacities are net capacities. Blower motor heat has been subtracted.

‡ Sensible capacities shown are based on 80°F (27°C) entering air at the indoor coil. For sensible capacities at other than 80°F (27°C), deduct 835 Btuh (245 kW) per 1000 CFM (480 L/S) of indoor coil air for each degree below 80°F (27°C), or add 835 Btuh (245 kW) per 1000 CFM (480 L/S) of indoor coil air per degree above 80°F (27°C).

Detailed cooling capacities are based on indoor and outdoor unit at the same elevation per ARI standard 210/240-94. If additional tubing length and/or indoor unit is located above outdoor unit, a slight variation in capacity may occur.

** System kw is total of indoor and outdoor unit kilowatts.

EWB — Entering Wet Bulb

NOTE: When the required data fall between the published data, interpolation may be performed. Extrapolation is not an acceptable practice.

CONDENSER ONLY RATINGS*

SST °F (°C)		CONDENSER ENTERING AIR TEMPERATURES °F (°C)							
		55 (12.78)	65 (18.33)	75 (23.89)	85 (29.44)	95 (35.0)	105 (40.56)	115 (46.11)	125 (51.67)
113R*A018-D									
30 (-1.11)	TCG	15.30	14.40	13.60	12.90	12.10	11.40	10.60	9.80
	SDT	68.80	77.90	87.20	96.60	106.00	115.50	125.00	134.50
	KW	0.83	0.93	1.03	1.14	1.26	1.40	1.56	1.75
35 (1.67)	TCG	17.00	16.00	15.10	14.30	13.50	12.70	11.90	10.90
	SDT	70.30	79.30	88.50	97.80	107.20	116.60	126.10	135.50
	KW	0.84	0.94	1.04	1.15	1.27	1.41	1.58	1.77
40 (4.44)	TCG	18.70	17.70	16.70	15.90	15.00	14.10	13.20	12.20
	SDT	71.80	80.70	89.80	99.10	108.40	117.80	127.20	136.50
	KW	0.85	0.95	1.05	1.16	1.28	1.43	1.60	1.79
45 (7.22)	TCG	20.50	19.40	18.40	17.50	16.50	15.60	14.60	13.50
	SDT	73.30	82.20	91.20	100.40	109.70	119.00	128.30	137.60
	KW	0.86	0.96	1.06	1.17	1.30	1.44	1.61	1.81
50 (10.0)	TCG	22.40	21.30	20.20	19.20	18.20	17.10	16.10	14.90
	SDT	75.00	83.70	92.70	101.80	111.00	120.20	129.50	138.80
	KW	0.87	0.97	1.07	1.18	1.31	1.46	1.63	1.83
55 (12.78)	TCG	24.40	23.20	22.10	21.00	19.90	18.80	17.60	16.40
	SDT	76.70	85.30	94.20	103.20	112.30	121.50	130.70	140.00
	KW	0.88	0.97	1.08	1.19	1.32	1.47	1.65	1.85
113R*A018-E									
30 (-1.11)	TCG	14.70	13.50	12.40	11.30	10.30	9.40	8.50	7.60
	SDT	74.80	83.80	92.90	102.30	111.90	121.60	131.50	141.40
	KW	0.90	0.98	1.07	1.16	1.26	1.37	1.49	1.60
35 (1.67)	TCG	16.60	15.40	14.20	13.10	12.00	11.00	10.20	9.30
	SDT	76.70	85.80	94.80	104.20	113.80	123.60	133.70	143.90
	KW	0.89	0.98	1.07	1.18	1.29	1.41	1.55	1.71
40 (4.44)	TCG	18.70	17.40	16.20	15.00	13.80	12.80	11.90	11.10
	SDT	78.60	87.60	96.80	106.10	115.80	125.60	135.70	146.20
	KW	0.88	0.97	1.07	1.18	1.31	1.45	1.61	1.79
45 (7.22)	TCG	20.90	19.60	18.30	17.00	15.80	14.70	13.80	12.90
	SDT	80.40	89.40	98.60	107.90	117.60	127.50	137.70	148.30
	KW	0.86	0.96	1.07	1.19	1.32	1.47	1.65	1.86
50 (10.0)	TCG	23.30	21.90	20.50	19.20	17.90	16.80	15.80	14.90
	SDT	82.40	91.20	100.30	109.70	119.40	129.30	139.60	150.10
	KW	0.84	0.95	1.06	1.18	1.33	1.49	1.68	1.90
55 (12.78)	TCG	25.90	24.40	22.90	21.50	20.20	19.00	17.90	16.90
	SDT	84.40	93.10	102.10	111.40	121.20	131.10	141.30	151.80
	KW	0.82	0.93	1.04	1.17	1.33	1.50	1.70	1.93
113R*A024-E									
30 (-1.11)	TCG	19.60	18.90	18.20	17.30	16.30	15.00	13.60	12.00
	SDT	71.10	80.30	89.50	98.80	108.10	117.30	126.30	135.20
	KW	1.14	1.24	1.37	1.51	1.69	1.89	2.12	2.38
35 (1.67)	TCG	21.70	20.90	20.10	19.20	18.10	16.90	15.50	13.90
	SDT	72.80	81.80	91.00	100.20	109.50	118.60	127.70	136.70
	KW	1.15	1.25	1.38	1.53	1.70	1.90	2.13	2.38
40 (4.44)	TCG	24.00	23.10	22.20	21.20	20.10	18.80	17.40	15.90
	SDT	74.60	83.50	92.50	101.70	110.90	120.00	129.20	138.20
	KW	1.16	1.27	1.39	1.54	1.71	1.91	2.14	2.39
45 (7.22)	TCG	26.50	25.40	24.30	23.30	22.10	20.80	19.40	17.80
	SDT	76.60	85.30	94.20	103.20	112.30	121.50	130.60	139.60
	KW	1.17	1.28	1.41	1.56	1.73	1.93	2.15	2.41
50 (10.0)	TCG	29.20	27.90	26.70	25.50	24.20	22.90	21.40	19.80
	SDT	78.60	87.10	95.90	104.80	113.80	122.90	132.00	141.00
	KW	1.17	1.29	1.42	1.57	1.75	1.95	2.17	2.42
55 (12.78)	TCG	32.10	30.60	29.20	27.80	26.40	25.00	23.50	21.90
	SDT	80.80	89.20	97.70	106.50	115.40	124.40	133.40	142.40
	KW	1.18	1.30	1.43	1.59	1.77	1.96	2.19	2.44
113R*A024-F									
30 (-1.11)	TCG	19.70	19.00	18.20	17.20	16.00	14.60	12.90	11.10
	SDT	77.90	87.30	96.80	106.30	115.60	124.70	133.70	142.40
	KW	1.09	1.21	1.35	1.51	1.69	1.91	2.15	2.41
35 (1.67)	TCG	21.90	21.10	20.20	19.20	17.90	16.50	14.90	13.10
	SDT	80.00	89.40	98.80	108.20	117.60	126.90	135.90	144.80
	KW	1.11	1.23	1.37	1.53	1.72	1.93	2.18	2.45
40 (4.44)	TCG	24.10	23.20	22.30	21.20	20.00	18.60	16.90	15.10
	SDT	82.20	91.50	100.80	110.30	119.70	129.00	138.10	147.20
	KW	1.13	1.25	1.39	1.55	1.74	1.96	2.21	2.48
45 (7.22)	TCG	26.60	25.50	24.50	23.40	22.10	20.70	19.00	17.20
	SDT	84.50	93.70	103.00	112.30	121.70	131.00	140.30	149.40
	KW	1.14	1.27	1.41	1.58	1.77	1.99	2.24	2.52
50 (10.0)	TCG	29.20	28.00	26.80	25.60	24.30	22.80	21.20	19.40
	SDT	86.90	95.90	105.20	114.40	123.80	133.10	142.30	151.50
	KW	1.16	1.29	1.44	1.61	1.80	2.02	2.27	2.55
55 (12.78)	TCG	32.00	30.70	29.40	28.00	26.60	25.10	23.50	21.60
	SDT	89.40	98.20	107.40	116.60	125.90	135.10	144.40	153.60
	KW	1.18	1.31	1.46	1.64	1.83	2.06	2.31	2.59

See notes on page 61

113R

CONDENSER ONLY RATINGS* CONTINUED

SST ° F (° C)		CONDENSER ENTERING AIR TEMPERATURES ° F (° C)							
		55 (12.78)	65 (18.33)	75 (23.89)	85 (29.44)	95 (35.0)	105 (40.56)	115 (46.11)	125 (51.67)
113R*A030-E									
30 (-1.11)	TCG	24.50	23.50	22.50	21.30	20.10	18.90	17.50	16.10
	SDT	71.20	80.30	89.60	98.80	108.10	117.50	126.80	136.10
	KW	1.30	1.46	1.63	1.81	2.00	2.21	2.44	2.70
35 (1.67)	TCG	27.30	26.10	24.90	23.70	22.30	20.90	19.50	17.90
	SDT	73.00	82.00	91.10	100.20	109.50	118.70	128.00	137.20
	KW	1.32	1.48	1.65	1.83	2.03	2.24	2.48	2.75
40 (4.44)	TCG	30.20	28.90	27.60	26.20	24.70	23.20	21.60	20.00
	SDT	74.90	83.70	92.70	101.70	110.90	120.00	129.30	138.50
	KW	1.35	1.51	1.68	1.86	2.06	2.28	2.52	2.80
45 (7.22)	TCG	33.30	31.80	30.30	28.80	27.20	25.60	23.90	22.20
	SDT	76.80	85.50	94.40	103.30	112.40	121.50	130.60	139.80
	KW	1.39	1.54	1.71	1.89	2.09	2.31	2.56	2.84
50 (10.0)	TCG	36.40	34.90	33.30	31.60	29.90	28.20	26.40	24.60
	SDT	78.80	87.40	96.10	105.00	113.90	123.00	132.10	141.20
	KW	1.42	1.57	1.73	1.91	2.11	2.33	2.58	2.86
55 (12.78)	TCG	39.70	38.00	36.30	34.60	32.80	31.00	29.10	27.20
	SDT	80.80	89.30	97.90	106.70	115.60	124.60	133.60	142.70
	KW	1.43	1.58	1.74	1.92	2.11	2.33	2.58	2.87
113R*A031-F									
30 (-1.11)	TCG	25.20	24.20	23.10	21.90	20.60	19.30	17.80	16.40
	SDT	73.50	82.90	92.20	101.60	110.90	120.20	129.50	138.70
	KW	1.32	1.49	1.67	1.86	2.06	2.29	2.54	2.82
35 (1.67)	TCG	28.00	26.80	25.50	24.20	22.80	21.30	19.80	18.20
	SDT	75.50	84.70	93.90	103.20	112.50	121.70	130.90	140.10
	KW	1.34	1.52	1.70	1.89	2.10	2.33	2.59	2.88
40 (4.44)	TCG	31.00	29.60	28.10	26.60	25.10	23.50	21.90	20.20
	SDT	77.40	86.60	95.70	104.90	114.10	123.20	132.40	141.50
	KW	1.38	1.55	1.73	1.93	2.14	2.38	2.64	2.94
45 (7.22)	TCG	34.00	32.40	30.80	29.20	27.60	25.90	24.10	22.40
	SDT	79.40	88.50	97.60	106.70	115.80	124.90	134.00	143.10
	KW	1.41	1.59	1.77	1.96	2.18	2.42	2.69	3.00
50 (10.0)	TCG	37.10	35.40	33.70	31.90	30.20	28.40	26.60	24.70
	SDT	81.50	90.50	99.50	108.50	117.60	126.70	135.70	144.80
	KW	1.44	1.61	1.79	1.99	2.21	2.45	2.72	3.03
55 (12.78)	TCG	40.30	38.50	36.60	34.80	32.90	31.00	29.10	27.20
	SDT	83.60	92.50	101.50	110.50	119.50	128.50	137.50	146.50
	KW	1.46	1.63	1.81	2.00	2.22	2.46	2.74	3.05
113R*A036-E, D									
30 (-1.11)	TCG	30.10	29.00	27.70	26.30	24.80	23.00	21.10	19.00
	SDT	73.40	82.30	91.20	100.30	109.30	118.40	127.50	136.40
	KW	1.63	1.81	2.00	2.20	2.43	2.70	3.01	3.37
35 (1.67)	TCG	33.50	32.10	30.70	29.20	27.50	25.60	23.60	21.40
	SDT	75.40	84.10	92.90	101.80	110.80	119.80	128.80	137.70
	KW	1.67	1.85	2.04	2.24	2.47	2.73	3.04	3.40
40 (4.44)	TCG	37.00	35.50	33.90	32.20	30.40	28.40	26.30	24.00
	SDT	77.60	86.10	94.70	103.50	112.40	121.30	130.20	139.10
	KW	1.73	1.90	2.09	2.29	2.51	2.78	3.08	3.44
45 (7.22)	TCG	40.60	38.90	37.20	35.40	33.40	31.30	29.10	26.70
	SDT	79.80	88.10	96.60	105.30	114.00	122.90	131.70	140.50
	KW	1.77	1.95	2.13	2.33	2.56	2.82	3.13	3.49
50 (10.0)	TCG	44.30	42.50	40.60	38.60	36.50	34.30	32.00	29.40
	SDT	82.00	90.10	98.50	107.10	115.70	124.50	133.20	142.00
	KW	1.81	1.98	2.16	2.37	2.59	2.86	3.17	3.53
55 (12.78)	TCG	48.00	46.00	44.00	41.90	39.70	37.40	34.90	32.30
	SDT	84.10	92.10	100.40	108.80	117.40	126.10	134.70	143.40
	KW	1.82	1.99	2.18	2.38	2.61	2.87	3.18	3.55
113R*A042-C									
30 (-1.11)	TCG	37.30	35.60	34.00	32.30	30.50	28.70	26.90	25.00
	SDT	72.90	81.90	91.00	100.10	109.40	118.70	128.00	137.40
	KW	1.94	2.16	2.41	2.69	3.00	3.34	3.71	4.10
35 (1.67)	TCG	41.00	39.30	37.50	35.60	33.80	31.90	29.90	27.90
	SDT	74.60	83.50	92.50	101.60	110.80	120.00	129.30	138.60
	KW	1.97	2.19	2.44	2.72	3.03	3.37	3.75	4.15
40 (4.44)	TCG	45.00	43.10	41.20	39.20	37.20	35.20	33.00	30.90
	SDT	76.50	85.20	94.10	103.10	112.20	121.40	130.60	139.80
	KW	2.00	2.22	2.47	2.75	3.06	3.41	3.78	4.19
45 (7.22)	TCG	49.30	47.30	45.20	43.10	40.90	38.70	36.40	34.10
	SDT	78.40	87.00	95.80	104.70	113.70	122.80	131.90	141.10
	KW	2.03	2.25	2.50	2.78	3.10	3.44	3.82	4.23
50 (10.0)	TCG	53.90	51.70	49.40	47.10	44.80	42.40	39.90	37.40
	SDT	80.50	89.00	97.60	106.40	115.30	124.30	133.40	142.50
	KW	2.07	2.29	2.54	2.82	3.13	3.48	3.86	4.28
55 (12.78)	TCG	58.70	56.30	53.90	51.40	48.90	46.30	43.70	41.00
	SDT	82.60	91.00	99.50	108.20	117.00	125.90	134.90	143.90
	KW	2.11	2.33	2.58	2.86	3.17	3.52	3.91	4.32

113R

See notes on page 61

CONDENSER ONLY RATINGS* CONTINUED

SST °F (°C)		CONDENSER ENTERING AIR TEMPERATURES °F (°C)							
		55 (12.78)	65 (18.33)	75 (23.89)	85 (29.44)	95 (35.0)	105 (40.56)	115 (46.11)	125 (51.67)
113R*A048-C, D									
30 (-1.11)	TCG	43.30	40.70	38.10	35.60	33.10	30.50	28.00	25.60
	SDT	72.60	81.40	90.20	99.20	108.30	117.40	126.60	135.90
	KW	2.32	2.53	2.75	3.00	3.26	3.54	3.84	4.15
35 (1.67)	TCG	48.10	45.40	42.70	40.00	37.30	34.70	32.00	29.40
	SDT	74.50	83.10	91.90	100.80	109.80	119.00	128.10	137.30
	KW	2.36	2.57	2.80	3.06	3.34	3.64	3.96	4.30
40 (4.44)	TCG	53.30	50.40	47.50	44.70	41.80	39.00	36.20	33.40
	SDT	76.50	85.00	93.70	102.50	111.50	120.50	129.60	138.80
	KW	2.39	2.61	2.85	3.11	3.41	3.73	4.07	4.44
45 (7.22)	TCG	58.90	55.80	52.70	49.60	46.60	43.60	40.70	37.70
	SDT	78.60	87.00	95.60	104.30	113.20	122.20	131.20	140.30
	KW	2.43	2.65	2.89	3.17	3.47	3.80	4.17	4.56
50 (10.0)	TCG	64.80	61.40	58.10	54.80	51.60	48.40	45.30	42.10
	SDT	80.80	89.10	97.50	106.10	115.00	123.90	132.90	141.90
	KW	2.47	2.69	2.94	3.22	3.53	3.88	4.26	4.67
55 (12.78)	TCG	71.00	67.30	63.80	60.20	56.80	53.40	50.10	46.70
	SDT	83.00	91.30	99.60	108.10	116.80	125.60	134.60	143.50
	KW	2.51	2.73	2.99	3.27	3.59	3.95	4.34	4.77
113R*A060-D, H									
30 (-1.11)	TCG	52.00	49.50	47.10	44.60	41.90	39.10	36.10	32.80
	SDT	75.00	83.90	93.00	102.20	111.30	120.50	129.60	138.60
	KW	2.71	3.02	3.35	3.71	4.12	4.58	5.10	5.71
35 (1.67)	TCG	57.40	54.70	52.00	49.30	46.50	43.50	40.30	37.00
	SDT	77.00	85.80	94.80	103.90	113.00	122.10	131.10	140.10
	KW	2.79	3.09	3.41	3.77	4.18	4.65	5.19	5.81
40 (4.44)	TCG	63.20	60.20	57.30	54.40	51.30	48.20	44.80	41.30
	SDT	79.10	87.80	96.70	105.60	114.70	123.70	132.70	141.70
	KW	2.88	3.17	3.49	3.85	4.26	4.74	5.29	5.93
45 (7.22)	TCG	69.30	66.00	62.80	59.60	56.40	53.00	49.50	45.80
	SDT	81.30	89.90	98.60	107.50	116.40	125.40	134.40	143.30
	KW	2.98	3.26	3.57	3.93	4.34	4.82	5.39	6.03
50 (10.0)	TCG	75.60	72.00	68.50	65.10	61.60	58.00	54.20	50.30
	SDT	83.50	92.00	100.60	109.40	118.20	127.10	136.00	144.90
	KW	3.08	3.34	3.65	4.00	4.42	4.90	5.47	6.14
55 (12.78)	TCG	82.00	78.10	74.30	70.50	66.80	63.00	59.00	54.90
	SDT	85.70	94.10	102.60	111.30	120.00	128.90	137.70	146.50
	KW	3.17	3.42	3.72	4.06	4.48	4.97	5.55	6.22

* ARI listing applies only to systems shown in Combination Ratings table.

KW – Outdoor Unit Kilowatts Only.

SDT – Saturated Temperature Leaving Compressor (°F)

SST – Saturated Temperature Entering Compressor (°F/°C)

TCG – Gross Cooling Capacity (1000 Btuh)

113R

GUIDE SPECIFICATIONS

GENERAL

System Description

Outdoor-mounted, air-cooled, split-system air conditioner unit suitable for ground or rooftop installation. Unit consists of a hermetic compressor, an air-cooled coil, propeller-type condenser fan, and a control box. Unit will discharge supply air upward as shown on contract drawings. Unit will be used in a refrigeration circuit to match up to a packaged fan coil or coil unit.

Quality Assurance

- Unit will be rated in accordance with the latest edition of ARI Standard 210.
- Unit will be certified for capacity and efficiency, and listed in the latest ARI directory.
- Unit construction will comply with latest edition of ANSI/ASHRAE and with NEC.
- Unit will be constructed in accordance with UL standards and will carry the UL label of approval. Unit will have c-UL-us approval.
- Unit cabinet will be capable of withstanding Federal Test Method Standard No. 141 (Method 6061) 500-hr salt spray test.
- Air-cooled condenser coils will be leak tested and pressure tested.
- Unit constructed in ISO9001 approved facility.

Delivery, Storage, and Handling

- Unit will be shipped as single package only and is stored and handled per unit manufacturer's recommendations.

Warranty (for inclusion by specifying engineer)

- U.S. and Canada only.

PRODUCTS

Equipment

Factory-assembled, single-piece, air-cooled air conditioner unit. Contained within the unit enclosure is all factory wiring, piping, controls, compressor, refrigerant charge, and special features required prior to field start-up.

Unit Cabinet

- Unit cabinet will be constructed of galvanized steel, bonderized, and coated with a powder coat paint.

AIR-COOLED, SPLIT-SYSTEM AIR CONDITIONER

113R

1-1/2 TO 5 NOMINAL TONS

Fans

- Condenser fan will be direct-drive propeller type, discharging air upward.
- Condenser fan motors will be totally enclosed, 1-phase type with class B insulation and permanently lubricated bearings. Shafts will be corrosion resistant.
- Fan blades will be statically and dynamically balanced.
- Condenser fan openings will be equipped with coated steel wire safety guards.

Compressor

- Compressor will be hermetically sealed.
- Compressor will be mounted on rubber vibration isolators.

Condenser Coil

- Condenser coil will be air cooled.
- Coil will be constructed of aluminum fins mechanically bonded to copper tubes which are then cleaned, dehydrated, and sealed.

Refrigeration Components

- Refrigeration circuit components will include liquid-line shutoff valve with sweat connections, vapor-line shutoff valve with sweat connections, system charge of R-22 refrigerant, and compressor oil.
- Unit will be equipped with filter drier.

Operating Characteristics

- The capacity of the unit will meet or exceed _____ Btuh at a suction temperature of _____ °F/°C. The power consumption at full load will not exceed _____ kW.
- Combination of the unit and the evaporator or fan coil unit will have a total net cooling capacity of _____ Btuh or greater at conditions of _____ CFM entering air temperature at the evaporator at _____ °F/°C wet bulb and _____ °F/°C dry bulb, and air entering the unit at _____ °F/°C.
- The system will have a SEER of _____ Btuh/watt or greater at DOE conditions.

Electrical Requirements

- Nominal unit electrical characteristics will be _____ v, single phase, 60 hz. The unit will be capable of satisfactory operation within voltage limits of _____ v to _____ v.
- Nominal unit electrical characteristics will be _____ v, three phase, 60 hz. The unit will be capable of satisfactory operation within voltage limits of _____ v to _____ v.
- Unit electrical power will be single point connection.
- Control circuit will be 24v.

Special Features

- Refer to section of this literature identifying accessories and descriptions for specific features and available enhancements.