



Split System Heat Pump Product & Performance Data

XL14i
4TWX4018-060

1½ – 5 Tons





Features and Benefits

- **Climatuff®** compressor
- Efficiency up to 15.0 SEER and 9.85 HSPF
- All aluminum **Spine Fin™** coil
- **WeatherGuard™ II** top shields unit
- **DuraTuff™** base, fast complete drain, weatherproof
- **WeatherGuard™** fasteners
- XL seacoast shield
- Industry leading appearance
- Tarpaulin gray cabinet with anthracite gray top
- Low sound with advanced fan system and compressor sound insulator
- **Quick-Sess™** cabinet, service access and refrigerant connections with full coil protection
- Demand Defrost Control with Diagnostics
- Glossy corrosion resistant finish
- Internal high/low pressure & temperature protection
- High pressure switch
- 018,024,060 ship with start kit
- Liquid line filter-drier
- **Comfort "R"™** mode approved
- Easy single side service
- Multi-use liquid and suction line service valves
- Easy top & fan removal
- Full length control and service valve cover
- R-410A refrigerant
- Compressor sump heat
- **10 year limited warranty on compressor, coil, and internal functional parts (Residential only)**
- **Extended warranties available**
- S.E.E.T. design testing
- 100% line run test
- Low ambient to 40°F with AY28X084, 30°F with TXV

Contents

| | |
|---|-----------|
| Features and Benefits | 2 |
| General Data | 4 |
| Product Specifications | 4 |
| A-weighted Sound Power Level [dB(A)] | 4 |
| Accessory Description and Usage | 5 |
| ARI Standard Capacity Rating Conditions | 5 |
| Model Nomenclature | 6 |
| System Ratings | 7 |
| 4TWX4018B1 | 7 |
| 4TWX4024B1 | 8 |
| 4TWX4030B1 | 9 |
| 4TWX4036B1 | 11 |
| 4TWX4042B1 | 14 |
| 4TWX4048B1 | 17 |
| 4TWX4060B1 | 19 |
| Performance Data Cooling | 20 |
| 4TWX4018B1 | 20 |
| 4TWX4024B1 | 21 |
| 4TWX4030B1 | 23 |
| 4TWX4036B1 | 26 |
| 4TWX4042B1 | 29 |
| 4TWX4048B1 | 32 |
| 4TWX4060B1 | 35 |
| Performance Data Heating | 36 |
| 4TWX4018B1 | 36 |
| 4TWX4024B1 | 37 |
| 4TWX4030B1 | 39 |
| 4TWX4036B1 | 42 |
| 4TWX4042B1 | 45 |
| 4TWX4048B1 | 48 |
| 4TWX4060B1 | 51 |
| Electrical Data | 52 |
| Dimensions | 55 |
| Mechanical Specification Options | 56 |



General Data

Product Specifications

| Model No. ① | 4TWX4018B1 | 4TWX4024B1 | 4TWX4030B1 | 4TWX4036B1 |
|---------------------------------|------------------|------------------|---------------------|---------------------|
| Electrical Data V/Ph/Hz ② | 200/230/1/60 | 200/230/1/60 | 208/230/1/60 | 208/230/1/60 |
| Min Cir Ampacity | 10 | 13 | 20 | 21 |
| Max Fuse Size (Amps) | 15 | 20 | 30 | 35 |
| Compressor | CLIMATUFF® | CLIMATUFF® | CLIMATUFF® - SCROLL | CLIMATUFF® - SCROLL |
| RL Amps - LR Amps | 7.2 - 40 | 9.4 - 63 | 14.7 - 73 | 15.4 - 83 |
| Outdoor Fan FL Amps | 0.60 | 0.90 | 1.40 | 1.30 |
| Fan HP | 1/15 | 1/8 | 1/6 | 1/6 |
| Fan Dia (inches) | 23 | 23 | 23 | 27.6 |
| Coil | Spine Fin™ | Spine Fin™ | Spine Fin™ | Spine Fin™ |
| Refrigerant R-410A | 5/12-LB/OZ | 6/10-LB/OZ | 6/02-LB/OZ | 7/01-LB/OZ |
| Line Size - (in.) O.D. Gas ③ | 1/2 | 5/8 | 3/4 | 3/4 |
| Line Size - (in.) O.D. Liquid ③ | 1/4 | 5/16 | 5/16 | 3/8 |
| Dimensions H x W x D (Crated) | 47.6 x 30.1 x 33 | 51.6 x 30.1 x 33 | 51.6 x 30.1 x 33 | 49.4 x 35.1 x 38.7 |
| Weight - Shipping | 256 | 272 | 268 | 298 |
| Weight - Net | 221 | 235 | 231 | 252 |
| Start Components | YES | YES | NO | NO |
| Sound Enclosure | YES | YES | YES | YES |
| Compressor Sump Heat | YES | YES | YES | YES |
| Optional Accessories: ④ | | | | |
| Anti-short Cycle Timer | TAYASCT501A | TAYASCT501A | TAYASCT501A | TAYASCT501A |
| Evaporator Defrost Control A/C | AY28X084 | AY28X084 | AY28X084 | AY28X084 |
| Rubber Isolator Kit | BAYISLT101 | BAYISLT101 | BAYISLT101 | BAYISLT101 |
| Snow Leg - Base & Cap 4" High | BAYLEGS002 | BAYLEGS002 | BAYLEGS002 | BAYLEGS002 |
| Snow Leg - 4" Extension | BAYLEGS003 | BAYLEGS003 | BAYLEGS003 | BAYLEGS003 |
| Hard Start Kit Scroll | | | BAYKSKT260 | BAYKSKT260 |
| Extreme Condition Mounting Kit | BAYECMT001 | BAYECMT001 | BAYECMT001 | BAYECMT001 |
| Refrigerant Lineset ⑤ | TAYREFLN5* | TAYREFLN6* | TAYREFLN2* | TAYREFLN7* |

① Certified in accordance with the Air-Source Unitary Heat Pump Equipment certification program which is based on ARI Standard 210/240.

② Calculated in accordance with N.E.C. Only use HACR circuit breakers or fuses.

③ Standard line lengths - 60'. Standard lift - 60' Suction and Liquid line.

For Greater lengths and lifts refer to refrigerant piping software Pub# 32-3312-01. (*denotes latest revision)

④ For accessory description and usage, see page 5.

⑤ * = 15, 20, 25, 30, 40 and 50 foot lineset available.

A-weighted Sound Power Level [dB(A)]

| MODEL | SOUND POWER LEVEL [dB(A)] | A-WEIGHTED FULL OCTAVE SOUND POWER LEVEL dB - [dB(A)] | | | | | | | |
|------------|---------------------------|---|------|------|------|------|------|------|------|
| | | 63 | 125 | 250 | 500 | 1000 | 2000 | 4000 | 8000 |
| 4TWX4018B1 | 74 | 43.6 | 50.9 | 57.8 | 69.2 | 64.2 | 62.6 | 55.7 | 48.9 |
| 4TWX4024B1 | 74 | 47.6 | 54.8 | 61.1 | 68.7 | 67.9 | 66.5 | 62.5 | 59.5 |
| 4TWX4030B1 | 71 | 49.2 | 56.4 | 59.8 | 65.2 | 64.5 | 61.3 | 55.0 | 49.1 |
| 4TWX4036B1 | 72 | 48.5 | 60.4 | 63.7 | 66.3 | 64.9 | 60.5 | 53.7 | 47.5 |
| 4TWX4042B1 | 74 | 50.5 | 57.7 | 63.1 | 67.5 | 67.5 | 61.1 | 56.1 | 50.0 |
| 4TWX4048B1 | 74 | 50.5 | 57.7 | 63.1 | 67.5 | 67.5 | 61.1 | 56.1 | 50.0 |
| 4TWX4060B1 | 74 | 51.2 | 55.0 | 64.5 | 68.3 | 70.7 | 62.8 | 58.0 | 51.3 |

Note: Tested in accordance with ARI Standard 270.95. (Not listed with ARI)

General Data

Product Specifications

| Model No. ① | 4TWX4042B1 | 4TWX4048B1 | 4TWX4060B1 |
|---------------------------------|---------------------|---------------------|---------------------|
| Electrical Data V/Ph/Hz ② | 208/230/1/60 | 208/230/1/60 | 208/230/1/60 |
| Min Cir Ampacity | 25 | 30 | 36 |
| Max Fuse Size (Amps) | 40 | 50 | 60 |
| Compressor | CLIMATUFF® - SCROLL | CLIMATUFF® - SCROLL | CLIMATUFF® - SCROLL |
| RL Amps - LR Amps | 19.2 - 104 | 23.1 - 134 | 27.6 - 158 |
| Outdoor Fan FL Amps | 1.30 | 1.30 | 1.30 |
| Fan HP | 1/6 | 1/6 | 1/6 |
| Fan Dia (inches) | 27.6 | 27.6 | 27.6 |
| Coil | Spine Fin™ | Spine Fin™ | Spine Fin™ |
| Refrigerant R-410A | 7/04-LB/OZ | 9/11-LB/OZ | 11/02-LB/OZ |
| Line Size - (in.) O.D. Gas ③ | 3/4 | 7/8 | 7/8 |
| Line Size - (in.) O.D. Liquid ③ | 3/8 | 3/8 | 3/8 |
| Dimensions H x W x D (Crated) | 53.4 x 35.1 x 38.7 | 53.4 x 35.1 x 38.7 | 53.4 x 35.1 x 38.7 |
| Weight - Shipping | 314 | 320 | 358 |
| Weight - Net | 266 | 272 | 310 |
| Start Components | NO | NO | YES |
| Sound Enclosure | YES | YES | YES |
| Compressor Sump Heat | YES | YES | YES |
| Optional Accessories: ④ | | | |
| Anti-short Cycle Timer | TAYASCT501A | TAYASCT501A | TAYASCT501A |
| Evaporator Defrost Control A/C | AY28X084 | AY28X084 | AY28X084 |
| Rubber Isolator Kit | BAYISLT101 | BAYISLT101 | BAYISLT101 |
| Snow Leg - Base & Cap 4" High | BAYLEGS002 | BAYLEGS002 | BAYLEGS002 |
| Snow Leg - 4" Extension | BAYLEGS003 | BAYLEGS003 | BAYLEGS003 |
| Hard Start Kit Scroll | BAYKSKT260 | BAYKSKT260 | |
| Extreme Condition Mounting Kit | BAYECMT001 | BAYECMT001 | BAYECMT001 |
| Refrigerant Lineset ⑤ | TAYREFLN7* | TAYREFLN3* | TAYREFLN3* |

Accessory Description and Usage

Anti-Short Cycle Timer — Solid state timing device that prevents compressor recycling until 5 minutes have elapsed after satisfying call or power interruptions. Use in area with questionable power delivery, commercial applications, long lineset, etc.

Evaporator Defrost Control — SPST Temperature actuated switch that cycles the condenser off as indoor coil reaches freeze-up conditions. Used for low ambient cooling to 30°F with TXV.

Rubber Isolators — 5 large rubber donuts to isolate condensing unit from transmitting energy into mounting frame or pad. Use on any application where sound transmission needs to be minimized.

Hard Start kit — Start capacitor and relay to assist compressor motor startup. Use in areas with marginal power supply, on long linesets, low ambient conditions, etc.

Extreme Condition Mount Kit — Bracket kits to securely mount condensing unit to a frame or pad without removing any panels. Use in areas with high winds, or on commercial roof tops, etc.

ARI Standard Capacity Rating Conditions

ARI STANDARD 210/240 RATING CONDITIONS —

- (A) Cooling 80°F DB, 67°F WB air entering indoor coil, 95°F DB air entering outdoor coil.
- (B) High Temperature Heating 47°F DB, 43°F WB air entering outdoor coil, 70°F DB air entering indoor coil.
- (C) Low Temperature Heating 17°F DB, 15°F WB air entering outdoor coil, 70°F DB air entering indoor coil.
- (D) Rated indoor airflow for heating is the same as for cooling.

ARI STANDARD 270 RATING CONDITIONS — (Noise rating numbers are determined with the unit in cooling operation.) Standard Noise Rating number is at 95°F outdoor air.



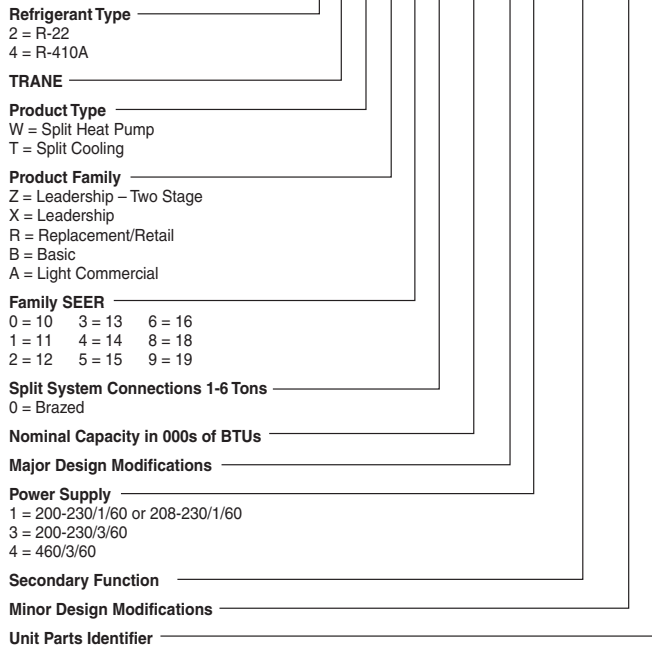
SPLIT SYSTEM



Model Nomenclature

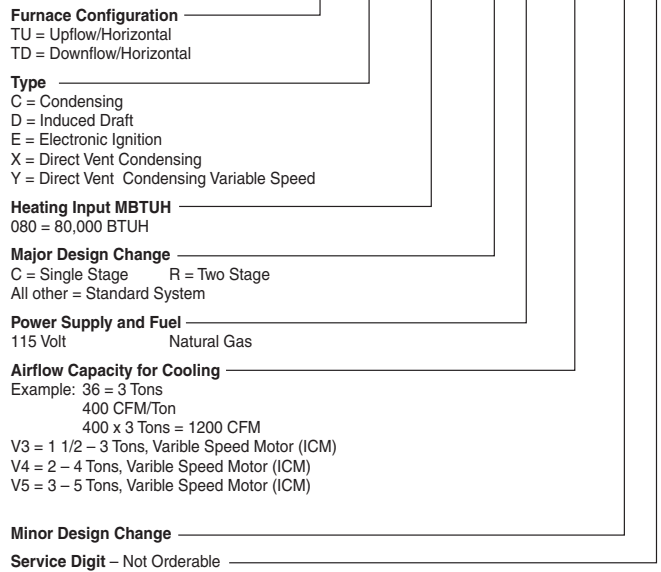
Outdoor Units

4 T W X 4 0 3 6 B 1 0 0 0 A A



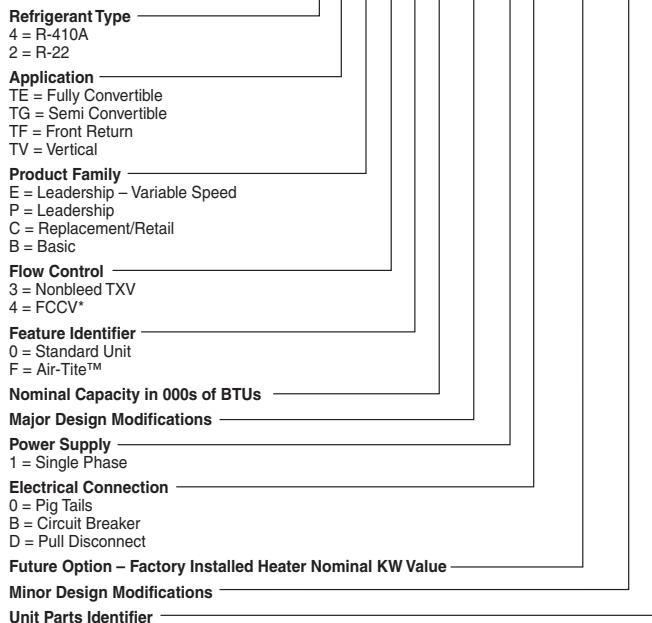
Gas Furnaces

T U Y 0 8 0 R 9 V 3 W 0



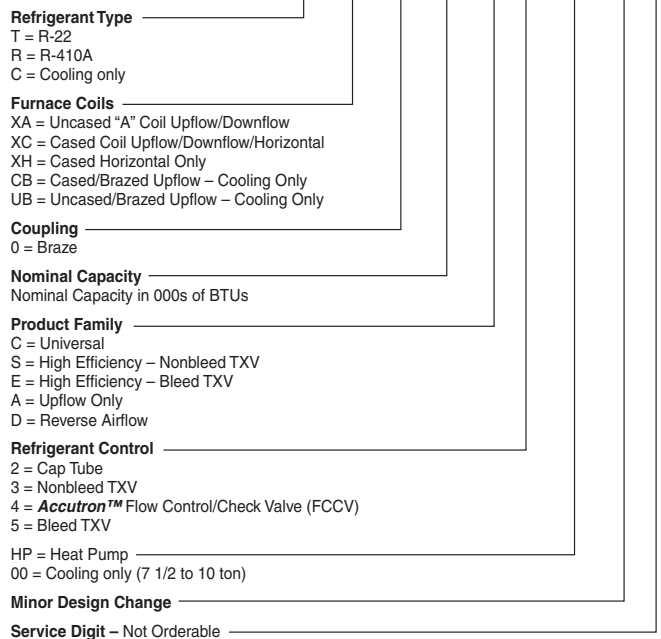
Air Handlers – Residential

4 T E E 3 F 3 6 A 1 0 0 0 A A



Furnace Coils

T X C 0 2 4 C 4 H P C 0



NOTE: There will be a phase-in of new model numbers for new air handlers over next 2 years.
*Shipped with R-22 FCCV



System Ratings

4TWX4018B1

OUTDOOR UNIT WITH HEAT PUMP COILS

| COIL | CFM | COOLING CAPACITY | SENSIBLE CAPACITY | KW | SEER | EER | HEATING CAPACITY | KW | HSPF | COP |
|--------------------|-----|------------------|-------------------|------|-------|------|------------------|------|------|-----|
| RXC024S3 | 600 | 17800 | 12900 | 1.76 | 12.00 | 10.1 | 16200 | 1.53 | 7.2 | 3.1 |
| RXC025S3 | 600 | 17800 | 12900 | 1.76 | 12.00 | 10.1 | 16200 | 1.53 | 7.2 | 3.1 |
| RXC031S3 | 600 | 19000 | 13900 | 1.83 | 12.75 | 10.4 | 17000 | 1.57 | 7.2 | 3.2 |
| TXA024C4+4AYTXVH-3 | 600 | 17800 | 12900 | 1.76 | 12.00 | 10.1 | 16200 | 1.53 | 7.2 | 3.1 |
| TXA025C4+4AYTXVH-3 | 600 | 18400 | 13400 | 1.80 | 12.25 | 10.2 | 16600 | 1.55 | 7.2 | 3.1 |
| TXA030C4+4AYTXVH-3 | 600 | 18400 | 13300 | 1.79 | 12.50 | 10.3 | 16600 | 1.55 | 7.2 | 3.1 |
| TXA031C4+4AYTXVH-3 | 600 | 18800 | 13700 | 1.83 | 12.50 | 10.3 | 16800 | 1.56 | 7.2 | 3.2 |
| TXC024C4+4AYTXVH-3 | 600 | 17800 | 12900 | 1.76 | 12.00 | 10.1 | 16200 | 1.53 | 7.2 | 3.1 |
| TXC024D4+4AYTXVH-3 | 600 | 17800 | 12900 | 1.76 | 12.00 | 10.1 | 16200 | 1.53 | 7.2 | 3.1 |
| TXC025C4+4AYTXVH-3 | 600 | 18400 | 13400 | 1.80 | 12.25 | 10.2 | 16600 | 1.55 | 7.2 | 3.1 |
| TXC025D4+4AYTXVH-3 | 600 | 18400 | 13400 | 1.80 | 12.25 | 10.2 | 16600 | 1.55 | 7.2 | 3.1 |
| TXC030C4+4AYTXVH-3 | 600 | 18400 | 13300 | 1.79 | 12.50 | 10.3 | 16600 | 1.55 | 7.2 | 3.1 |
| TXC030D4+4AYTXVH-3 | 600 | 18400 | 13300 | 1.79 | 12.50 | 10.3 | 16600 | 1.55 | 7.2 | 3.1 |
| TXC031C4+4AYTXVH-3 | 600 | 18800 | 13700 | 1.83 | 12.50 | 10.3 | 16800 | 1.56 | 7.2 | 3.2 |
| TXC031D4+4AYTXVH-3 | 600 | 18800 | 13700 | 1.83 | 12.50 | 10.3 | 16800 | 1.56 | 7.2 | 3.2 |
| TXH025A4+4AYTXVH-3 | 600 | 18000 | 13100 | 1.78 | 12.00 | 10.1 | 16200 | 1.53 | 7.2 | 3.1 |
| TXH033A4+4AYTXVH-3 | 600 | 19000 | 13900 | 1.83 | 12.75 | 10.4 | 17000 | 1.57 | 7.2 | 3.2 |

OUTDOOR UNIT WITH AIR HANDLERS

| COIL | CFM | COOLING CAPACITY | SENSIBLE CAPACITY | KW | SEER | EER | HEATING CAPACITY | KW | HSPF | COP |
|---------------------|-----|------------------|-------------------|------|-------|------|------------------|------|------|-----|
| 4TEE3F31A1 | 560 | 19300 | 13500 | 1.65 | 14.00 | 11.7 | 16300 | 1.42 | 7.2 | 3.4 |
| 4TEP3F18A1 | 600 | 19000 | 13900 | 1.76 | 13.00 | 10.8 | 16800 | 1.52 | 7.3 | 3.2 |
| 4TEP3F24A1 | 600 | 19000 | 13900 | 1.78 | 13.00 | 10.7 | 16800 | 1.52 | 7.3 | 3.2 |
| 4TEP3F30A1 | 675 | 19400 | 14800 | 1.87 | 12.50 | 10.4 | 17400 | 1.61 | 7.2 | 3.2 |
| TWE018C14+4AYTXVH-3 | 600 | 17800 | 12900 | 1.76 | 12.00 | 10.1 | 16200 | 1.52 | 7.2 | 3.1 |
| TWE030C14+4AYTXVH-3 | 600 | 18200 | 13200 | 1.82 | 12.00 | 10.0 | 16600 | 1.57 | 7.1 | 3.1 |

OUTDOOR UNIT WITH FURNACE AND HEAT PUMP COILS

| COIL | CFM | COOLING CAPACITY | SENSIBLE CAPACITY | KW | SEER | EER | HEATING CAPACITY | KW | HSPF | COP |
|-------------------------------|-----|------------------|-------------------|------|-------|------|------------------|------|------|-----|
| TDD060R9V3+RXC025S3 | 550 | 18000 | 12700 | 1.61 | 13.50 | 11.2 | 15400 | 1.36 | 7.5 | 3.3 |
| TDD060R9V3+RXC031S3 | 550 | 19200 | 13700 | 1.66 | 14.25 | 11.6 | 16200 | 1.40 | 7.7 | 3.4 |
| TDD060R9V3+TXH025A4 | 550 | 18400 | 13100 | 1.63 | 12.75 | 11.3 | 15600 | 1.37 | 7.6 | 3.3 |
| TDD060R9V3+TXH025A4+4AYTXVH-3 | 550 | 18000 | 12700 | 1.59 | 13.50 | 11.3 | 15400 | 1.36 | 7.6 | 3.3 |
| TDY060R9V3+RXC025S3 | 530 | 17800 | 12500 | 1.59 | 13.25 | 11.2 | 15200 | 1.35 | 7.5 | 3.3 |
| TDY060R9V3+RXC031S3 | 530 | 19000 | 13400 | 1.64 | 14.00 | 11.6 | 16200 | 1.40 | 7.7 | 3.4 |
| TDY060R9V3+TXH025A4 | 530 | 18200 | 12800 | 1.61 | 12.75 | 11.3 | 15600 | 1.37 | 7.6 | 3.3 |
| TDY060R9V3+TXH025A4+4AYTXVH-3 | 530 | 18000 | 12600 | 1.61 | 13.50 | 11.2 | 15400 | 1.36 | 7.5 | 3.3 |
| TUD060R9V3+RXC025S3 | 580 | 18200 | 13100 | 1.64 | 13.25 | 11.1 | 15600 | 1.39 | 7.5 | 3.3 |
| TUD060R9V3+RXC031S3 | 580 | 19400 | 14100 | 1.69 | 14.00 | 11.5 | 16600 | 1.44 | 7.7 | 3.4 |
| TUD060R9V3+TXH025A4 | 580 | 18400 | 13300 | 1.64 | 12.75 | 11.2 | 15800 | 1.39 | 7.5 | 3.3 |
| TUD060R9V3+TXH025A4+4AYTXVH-3 | 580 | 18200 | 13100 | 1.63 | 13.50 | 11.2 | 15600 | 1.38 | 7.5 | 3.3 |
| TUY060R9V3+RXC025S3 | 580 | 18200 | 13100 | 1.64 | 13.25 | 11.1 | 15600 | 1.39 | 7.5 | 3.3 |
| TUY060R9V3+RXC031S3 | 580 | 19400 | 14100 | 1.69 | 14.00 | 11.5 | 16600 | 1.44 | 7.7 | 3.4 |
| TUY060R9V3+TXH025A4 | 580 | 18400 | 13300 | 1.64 | 12.75 | 11.2 | 15800 | 1.39 | 7.5 | 3.3 |
| TUY060R9V3+TXH025A4+4AYTXVH-3 | 580 | 18200 | 13100 | 1.63 | 13.50 | 11.2 | 15600 | 1.38 | 7.5 | 3.3 |



System Ratings

4TWX4024B1

OUTDOOR UNIT WITH HEAT PUMP COILS

| COIL | CFM | COOLING CAPACITY | SENSIBLE CAPACITY | KW | SEER | EER | HEATING CAPACITY | KW | HSPF | COP |
|--------------------|-----|------------------|-------------------|------|-------|------|------------------|------|------|-----|
| RXC031S3 | 800 | 23600 | 17800 | 2.25 | 13.00 | 10.5 | 21400 | 1.96 | 7.4 | 3.2 |
| RXC036S3 | 800 | 24200 | 18200 | 2.26 | 13.25 | 10.7 | 21800 | 1.97 | 7.5 | 3.2 |
| RXC037S3 | 800 | 24200 | 18200 | 2.26 | 13.25 | 10.7 | 21800 | 1.97 | 7.5 | 3.2 |
| TXA025C4+4AYTXVH-3 | 800 | 22600 | 16800 | 2.22 | 12.50 | 10.2 | 20600 | 1.92 | 7.3 | 3.1 |
| TXA025C4+BAY24X045 | 800 | 22800 | 17100 | 2.24 | 12.00 | 10.2 | 20800 | 1.93 | 7.3 | 3.2 |
| TXA030C4 | 800 | 23200 | 17300 | 2.25 | 11.75 | 10.3 | 21000 | 1.95 | 7.4 | 3.2 |
| TXA030C4+4AYTXVH-3 | 800 | 23000 | 17000 | 2.23 | 12.50 | 10.3 | 20800 | 1.93 | 7.3 | 3.2 |
| TXA030C4+BAY24X045 | 800 | 23200 | 17300 | 2.25 | 12.00 | 10.3 | 21000 | 1.95 | 7.4 | 3.2 |
| TXA031C4 | 800 | 23400 | 17600 | 2.25 | 12.00 | 10.4 | 21200 | 1.95 | 7.4 | 3.2 |
| TXA031C4+4AYTXVH-3 | 800 | 23200 | 17300 | 2.23 | 12.75 | 10.4 | 21000 | 1.94 | 7.4 | 3.2 |
| TXA031C4+BAY24X045 | 800 | 23400 | 17600 | 2.25 | 12.00 | 10.4 | 21200 | 1.95 | 7.4 | 3.2 |
| TXA035C4+4AYTXVH-3 | 800 | 23000 | 17000 | 2.23 | 12.50 | 10.3 | 20800 | 1.93 | 7.3 | 3.2 |
| TXA036C4+4AYTXVH-3 | 800 | 23400 | 17400 | 2.25 | 12.75 | 10.4 | 21000 | 1.93 | 7.4 | 3.2 |
| TXA037C4+4AYTXVH-3 | 800 | 23400 | 17400 | 2.25 | 12.75 | 10.4 | 21000 | 1.93 | 7.4 | 3.2 |
| TXC025C4+4AYTXVH-3 | 800 | 22600 | 16800 | 2.22 | 12.50 | 10.2 | 20600 | 1.92 | 7.3 | 3.1 |
| TXC025C4+BAY24X045 | 800 | 22800 | 17100 | 2.24 | 12.00 | 10.2 | 20800 | 1.93 | 7.3 | 3.2 |
| TXC025D4+4AYTXVH-3 | 800 | 22600 | 16800 | 2.22 | 12.50 | 10.2 | 20600 | 1.92 | 7.3 | 3.1 |
| TXC025D4+BAY24X045 | 800 | 22800 | 17100 | 2.24 | 12.00 | 10.2 | 20800 | 1.93 | 7.3 | 3.2 |
| TXC030C4 | 800 | 23200 | 17300 | 2.25 | 11.75 | 10.3 | 21000 | 1.95 | 7.4 | 3.2 |
| TXC030C4+4AYTXVH-3 | 800 | 23000 | 17000 | 2.23 | 12.50 | 10.3 | 20800 | 1.93 | 7.3 | 3.2 |
| TXC030C4+BAY24X045 | 800 | 23200 | 17300 | 2.25 | 12.00 | 10.3 | 21000 | 1.95 | 7.4 | 3.2 |
| TXC030D4 | 800 | 23200 | 17300 | 2.25 | 12.00 | 10.3 | 21000 | 1.95 | 7.4 | 3.2 |
| TXC030D4+4AYTXVH-3 | 800 | 23000 | 17000 | 2.23 | 12.50 | 10.3 | 20800 | 1.93 | 7.3 | 3.2 |
| TXC030D4+BAY24X045 | 800 | 23200 | 17300 | 2.25 | 12.00 | 10.3 | 21000 | 1.95 | 7.4 | 3.2 |
| TXC031C4 | 800 | 23400 | 17600 | 2.25 | 12.00 | 10.4 | 21200 | 1.95 | 7.4 | 3.2 |
| TXC031C4+4AYTXVH-3 | 800 | 23200 | 17300 | 2.23 | 12.75 | 10.4 | 21000 | 1.94 | 7.4 | 3.2 |
| TXC031C4+BAY24X045 | 800 | 23400 | 17600 | 2.25 | 12.00 | 10.4 | 21200 | 1.95 | 7.4 | 3.2 |
| TXC031D4 | 800 | 23400 | 17600 | 2.25 | 12.00 | 10.4 | 21200 | 1.95 | 7.4 | 3.2 |
| TXC031D4+4AYTXVH-3 | 800 | 23200 | 17300 | 2.23 | 12.75 | 10.4 | 21000 | 1.94 | 7.4 | 3.2 |
| TXC031D4+BAY24X045 | 800 | 23400 | 17600 | 2.25 | 12.00 | 10.4 | 21200 | 1.95 | 7.4 | 3.2 |
| TXC035C4+4AYTXVH-3 | 800 | 23000 | 17000 | 2.23 | 12.50 | 10.3 | 20800 | 1.93 | 7.3 | 3.2 |
| TXC035D4+4AYTXVH-3 | 800 | 23000 | 17000 | 2.23 | 12.50 | 10.3 | 20800 | 1.93 | 7.3 | 3.2 |
| TXC036C4+4AYTXVH-3 | 800 | 23400 | 17400 | 2.25 | 12.75 | 10.4 | 21000 | 1.93 | 7.4 | 3.2 |
| TXC036D4+4AYTXVH-3 | 800 | 23400 | 17400 | 2.25 | 12.75 | 10.4 | 21000 | 1.93 | 7.4 | 3.2 |
| TXC037C4+4AYTXVH-3 | 800 | 23400 | 17400 | 2.25 | 12.75 | 10.4 | 21000 | 1.93 | 7.4 | 3.2 |
| TXH033A4 | 800 | 23600 | 17900 | 2.25 | 12.00 | 10.5 | 21400 | 1.97 | 7.4 | 3.2 |
| TXH033A4+4AYTXVH-3 | 800 | 23600 | 17800 | 2.25 | 12.75 | 10.5 | 21200 | 1.95 | 7.4 | 3.2 |
| TXH033A4+BAY24X045 | 800 | 23600 | 17900 | 2.25 | 12.25 | 10.5 | 21400 | 1.97 | 7.4 | 3.2 |

OUTDOOR UNIT WITH AIR HANDLERS

| COIL | CFM | COOLING CAPACITY | SENSIBLE CAPACITY | KW | SEER | EER | HEATING CAPACITY | KW | HSPF | COP |
|---------------------|-----|------------------|-------------------|------|-------|------|------------------|------|------|-----|
| 4TEE3F31A1 | 850 | 24400 | 17400 | 2.12 | 14.00 | 11.5 | 21400 | 1.84 | 7.8 | 3.4 |
| 4TEE3F37A1 | 800 | 24200 | 18200 | 2.07 | 14.50 | 11.7 | 20600 | 1.76 | 7.8 | 3.4 |
| 4TEE3F40A1 | 830 | 25600 | 19600 | 2.08 | 15.00 | 12.3 | 21600 | 1.80 | 8.1 | 3.5 |
| 4TEP3F18A1 | 675 | 23000 | 16400 | 2.17 | 12.75 | 10.6 | 20400 | 1.85 | 7.5 | 3.2 |
| 4TEP3F24A1 | 800 | 23600 | 17800 | 2.17 | 13.25 | 10.9 | 21000 | 1.88 | 7.6 | 3.3 |
| 4TEP3F30A1 | 800 | 23600 | 17800 | 2.23 | 13.00 | 10.6 | 21000 | 1.92 | 7.5 | 3.2 |
| 4TEP3F36A1 | 800 | 23400 | 17600 | 2.25 | 12.50 | 10.4 | 21200 | 1.96 | 7.4 | 3.2 |
| TWE030C14 | 800 | 23000 | 17300 | 2.23 | 12.00 | 10.3 | 20800 | 1.92 | 7.4 | 3.2 |
| TWE030C14+4AYTXVH-3 | 800 | 22800 | 17000 | 2.24 | 12.50 | 10.2 | 20600 | 1.92 | 7.3 | 3.2 |



System Ratings

4TWX4024B1

OUTDOOR UNIT WITH AIR HANDLERS

| COIL | CFM | COOLING CAPACITY | SENSIBLE CAPACITY | KW | SEER | EER | HEATING CAPACITY | KW | HSPF | COP |
|---------------------|-----|------------------|-------------------|------|-------|------|------------------|------|------|-----|
| TWE036C14 | 800 | 23400 | 17800 | 2.25 | 12.00 | 10.4 | 21000 | 1.93 | 7.4 | 3.2 |
| TWE036C14+4AYTXVH-3 | 800 | 23000 | 17300 | 2.21 | 12.50 | 10.4 | 20800 | 1.92 | 7.4 | 3.2 |

OUTDOOR UNIT WITH FURNACE AND HEAT PUMP COILS

| COIL | CFM | COOLING CAPACITY | SENSIBLE CAPACITY | KW | SEER | EER | HEATING CAPACITY | KW | HSPF | COP |
|-------------------------------|-----|------------------|-------------------|------|-------|------|------------------|------|------|-----|
| TDD060R9V3+RXC031S3 | 790 | 24200 | 18100 | 2.05 | 14.75 | 11.8 | 20600 | 1.75 | 7.9 | 3.4 |
| TDD060R9V3+RXC036S3 | 790 | 24800 | 18500 | 2.05 | 15.00 | 12.1 | 21000 | 1.77 | 7.9 | 3.5 |
| TDD060R9V3+TXH033A4 | 790 | 24200 | 18300 | 2.05 | 14.00 | 11.8 | 20600 | 1.76 | 7.8 | 3.4 |
| TDD060R9V3+TXH033A4+4AYTXVH-3 | 790 | 24200 | 18200 | 2.05 | 14.75 | 11.8 | 20600 | 1.75 | 7.8 | 3.4 |
| TDD080R9V3+RXC031S3 | 790 | 24200 | 18100 | 2.03 | 14.75 | 11.9 | 20600 | 1.75 | 7.9 | 3.5 |
| TDD080R9V3+RXC036S3 | 790 | 24800 | 18500 | 2.05 | 15.00 | 12.1 | 21000 | 1.76 | 7.9 | 3.5 |
| TDD080R9V3+TXH033A4 | 790 | 24200 | 18300 | 2.05 | 14.00 | 11.8 | 20600 | 1.75 | 7.9 | 3.4 |
| TDD080R9V3+TXH033A4+4AYTXVH-3 | 790 | 24200 | 18200 | 2.05 | 14.75 | 11.8 | 20600 | 1.75 | 7.9 | 3.4 |
| TDY060R9V3+RXC031S3 | 700 | 23800 | 17100 | 2.03 | 14.50 | 11.7 | 20200 | 1.73 | 7.8 | 3.4 |
| TDY060R9V3+RXC036S3 | 700 | 24200 | 17400 | 2.03 | 15.00 | 11.9 | 20600 | 1.74 | 7.9 | 3.5 |
| TDY060R9V3+TXH033A4 | 700 | 23800 | 17300 | 2.03 | 14.00 | 11.7 | 20200 | 1.73 | 7.8 | 3.4 |
| TDY060R9V3+TXH033A4+4AYTXVH-3 | 700 | 23600 | 17100 | 2.02 | 14.50 | 11.7 | 20200 | 1.73 | 7.8 | 3.4 |
| TDY080R9V3+RXC031S3 | 710 | 23800 | 17200 | 2.05 | 14.50 | 11.6 | 20200 | 1.74 | 7.8 | 3.4 |
| TDY080R9V3+RXC036S3 | 710 | 24200 | 17500 | 2.05 | 14.75 | 11.8 | 20600 | 1.75 | 7.9 | 3.4 |
| TDY080R9V3+TXH033A4 | 710 | 23800 | 17400 | 2.05 | 13.75 | 11.6 | 20400 | 1.75 | 7.8 | 3.4 |
| TDY080R9V3+TXH033A4+4AYTXVH-3 | 710 | 23600 | 17100 | 2.03 | 14.50 | 11.6 | 20200 | 1.74 | 7.8 | 3.4 |
| TUD060R9V3+RXC031S3 | 820 | 24400 | 18500 | 2.09 | 14.50 | 11.7 | 20800 | 1.78 | 7.8 | 3.4 |
| TUD060R9V3+RXC036S3 | 820 | 24800 | 18800 | 2.08 | 15.00 | 11.9 | 21200 | 1.80 | 7.9 | 3.5 |
| TUD060R9V3+TXH033A4 | 820 | 24400 | 18700 | 2.10 | 13.75 | 11.6 | 20800 | 1.79 | 7.8 | 3.4 |
| TUD060R9V3+TXH033A4+4AYTXVH-3 | 820 | 24200 | 18400 | 2.07 | 14.50 | 11.7 | 20800 | 1.79 | 7.8 | 3.4 |
| TUD080R9V3+RXC031S3 | 820 | 24400 | 18500 | 2.07 | 14.75 | 11.8 | 20800 | 1.77 | 7.9 | 3.4 |
| TUD080R9V3+RXC036S3 | 820 | 25000 | 19000 | 2.08 | 15.00 | 12.0 | 21200 | 1.79 | 7.9 | 3.5 |
| TUD080R9V3+TXH033A4 | 820 | 24400 | 18700 | 2.09 | 13.75 | 11.7 | 20800 | 1.78 | 7.8 | 3.4 |
| TUD080R9V3+TXH033A4+4AYTXVH-3 | 820 | 24200 | 18400 | 2.05 | 14.75 | 11.8 | 20800 | 1.78 | 7.8 | 3.4 |
| TUY060R9V3+RXC031S3 | 710 | 23800 | 17200 | 2.05 | 14.50 | 11.6 | 20200 | 1.74 | 7.8 | 3.4 |
| TUY060R9V3+RXC036S3 | 710 | 24200 | 17500 | 2.05 | 14.75 | 11.8 | 20600 | 1.75 | 7.8 | 3.4 |
| TUY060R9V3+TXH033A4 | 710 | 23800 | 17400 | 2.05 | 13.75 | 11.6 | 20400 | 1.76 | 7.8 | 3.4 |
| TUY060R9V3+TXH033A4+4AYTXVH-3 | 710 | 23600 | 17100 | 2.03 | 14.25 | 11.6 | 20200 | 1.74 | 7.8 | 3.4 |
| TUY080R9V3+RXC031S3 | 720 | 23800 | 17300 | 2.03 | 14.50 | 11.7 | 20200 | 1.73 | 7.8 | 3.4 |
| TUY080R9V3+RXC036S3 | 720 | 24400 | 17700 | 2.05 | 15.00 | 11.9 | 20600 | 1.74 | 7.9 | 3.5 |
| TUY080R9V3+TXH033A4 | 720 | 23800 | 17400 | 2.03 | 14.00 | 11.7 | 20400 | 1.75 | 7.8 | 3.4 |
| TUY080R9V3+TXH033A4+4AYTXVH-3 | 720 | 23800 | 17400 | 2.03 | 14.50 | 11.7 | 20200 | 1.73 | 7.8 | 3.4 |

4TWX4030B1

OUTDOOR UNIT WITH HEAT PUMP COILS

| COIL | CFM | COOLING CAPACITY | SENSIBLE CAPACITY | KW | SEER | EER | HEATING CAPACITY | KW | HSPF | COP |
|--------------------|------|------------------|-------------------|------|-------|------|------------------|------|------|-----|
| RXC031S3 | 1000 | 28800 | 21800 | 2.77 | 12.75 | 10.4 | 27000 | 2.46 | 7.8 | 3.2 |
| RXC036S3 | 1000 | 29400 | 22200 | 2.77 | 13.00 | 10.6 | 27400 | 2.46 | 7.9 | 3.3 |
| RXC037S3 | 1000 | 29400 | 22200 | 2.77 | 13.00 | 10.6 | 27400 | 2.46 | 7.9 | 3.3 |
| TXA025C4+4AYTXVH-3 | 950 | 27600 | 20200 | 2.76 | 12.25 | 10.0 | 26000 | 2.41 | 7.8 | 3.2 |
| TXA030C4+4AYTXVH-3 | 1000 | 28000 | 20800 | 2.77 | 12.25 | 10.1 | 26400 | 2.43 | 7.8 | 3.2 |



System Ratings

4TWX4030B1

OUTDOOR UNIT WITH HEAT PUMP COILS

| COIL | CFM | COOLING CAPACITY | SENSIBLE CAPACITY | KW | SEER | EER | HEATING CAPACITY | KW | HSPF | COP |
|--------------------|------|------------------|-------------------|------|-------|------|------------------|------|------|-----|
| TXA031C4+4AYTXVH-3 | 1000 | 28200 | 21000 | 2.76 | 12.50 | 10.2 | 26600 | 2.44 | 7.8 | 3.2 |
| TXA031C4+BAY24X045 | 1000 | 28400 | 21400 | 2.78 | 12.00 | 10.2 | 26600 | 2.44 | 7.8 | 3.2 |
| TXA035C4+4AYTXVH-3 | 1000 | 28000 | 20800 | 2.77 | 12.25 | 10.1 | 26400 | 2.43 | 7.8 | 3.2 |
| TXA036C4+4AYTXVH-3 | 1000 | 28600 | 21400 | 2.78 | 12.50 | 10.3 | 26600 | 2.43 | 7.8 | 3.2 |
| TXA036C4+BAY24X045 | 1000 | 28600 | 21600 | 2.78 | 12.00 | 10.3 | 26800 | 2.45 | 7.8 | 3.2 |
| TXA037C4+4AYTXVH-3 | 1000 | 28600 | 21400 | 2.78 | 12.50 | 10.3 | 26600 | 2.43 | 7.8 | 3.2 |
| TXA037C4+BAY24X045 | 1000 | 28600 | 21600 | 2.78 | 12.00 | 10.3 | 26800 | 2.45 | 7.8 | 3.2 |
| TXA042C4+4AYTXVH-3 | 1000 | 28800 | 21600 | 2.80 | 12.50 | 10.3 | 26800 | 2.44 | 7.8 | 3.2 |
| TXA043C4+4AYTXVH-3 | 1000 | 28800 | 21600 | 2.80 | 12.50 | 10.3 | 26800 | 2.44 | 7.8 | 3.2 |
| TXC025C4+4AYTXVH-3 | 950 | 27600 | 20200 | 2.76 | 12.25 | 10.0 | 26000 | 2.41 | 7.8 | 3.2 |
| TXC025D4+4AYTXVH-3 | 950 | 27600 | 20200 | 2.76 | 12.25 | 10.0 | 26000 | 2.41 | 7.8 | 3.2 |
| TXC030C4+4AYTXVH-3 | 1000 | 28000 | 20800 | 2.77 | 12.25 | 10.1 | 26400 | 2.43 | 7.8 | 3.2 |
| TXC030D4+4AYTXVH-3 | 1000 | 28000 | 20800 | 2.77 | 12.25 | 10.1 | 26400 | 2.43 | 7.8 | 3.2 |
| TXC031C4+4AYTXVH-3 | 1000 | 28200 | 21000 | 2.76 | 12.50 | 10.2 | 26600 | 2.44 | 7.8 | 3.2 |
| TXC031C4+BAY24X045 | 1000 | 28400 | 21400 | 2.78 | 12.00 | 10.2 | 26600 | 2.44 | 7.8 | 3.2 |
| TXC031D4+4AYTXVH-3 | 1000 | 28200 | 21000 | 2.76 | 12.50 | 10.2 | 26600 | 2.44 | 7.8 | 3.2 |
| TXC031D4+BAY24X045 | 1000 | 28400 | 21400 | 2.78 | 12.00 | 10.2 | 26600 | 2.44 | 7.8 | 3.2 |
| TXC035C4+4AYTXVH-3 | 1000 | 28000 | 20800 | 2.77 | 12.25 | 10.1 | 26400 | 2.43 | 7.8 | 3.2 |
| TXC035D4+4AYTXVH-3 | 1000 | 28000 | 20800 | 2.77 | 12.25 | 10.1 | 26400 | 2.43 | 7.8 | 3.2 |
| TXC036C4+4AYTXVH-3 | 1000 | 28600 | 21400 | 2.78 | 12.50 | 10.3 | 26600 | 2.43 | 7.8 | 3.2 |
| TXC036C4+BAY24X045 | 1000 | 28600 | 21600 | 2.38 | 12.00 | 12.0 | 26800 | 2.45 | 7.8 | 3.2 |
| TXC036D4+4AYTXVH-3 | 1000 | 28600 | 21400 | 2.78 | 12.50 | 10.3 | 26600 | 2.43 | 7.8 | 3.2 |
| TXC036D4+BAY24X045 | 1000 | 28600 | 21600 | 2.78 | 12.00 | 10.3 | 26800 | 2.45 | 7.8 | 3.2 |
| TXC037C4+4AYTXVH-3 | 1000 | 28600 | 21400 | 2.78 | 12.50 | 10.3 | 26600 | 2.43 | 7.8 | 3.2 |
| TXC037C4+BAY24X045 | 1000 | 28600 | 21600 | 2.78 | 12.00 | 10.3 | 26800 | 2.45 | 7.8 | 3.2 |
| TXC042C4+4AYTXVH-3 | 1000 | 28800 | 21600 | 2.80 | 12.50 | 10.3 | 26800 | 2.44 | 7.8 | 3.2 |
| TXC043C4+4AYTXVH-3 | 1000 | 28800 | 21600 | 2.80 | 12.50 | 10.3 | 26800 | 2.44 | 7.8 | 3.2 |
| TXH033A4+4AYTXVH-3 | 1000 | 28600 | 21800 | 2.78 | 12.50 | 10.3 | 26800 | 2.45 | 7.8 | 3.2 |
| TXH033A4+BAY24X045 | 1000 | 28800 | 22000 | 2.80 | 12.00 | 10.3 | 26800 | 2.45 | 7.8 | 3.2 |
| TXH041A4+4AYTXVH-3 | 1000 | 29200 | 22000 | 2.78 | 12.75 | 10.5 | 27200 | 2.46 | 7.8 | 3.2 |

OUTDOOR UNIT WITH AIR HANDLERS

| COIL | CFM | COOLING CAPACITY | SENSIBLE CAPACITY | KW | SEER | EER | HEATING CAPACITY | KW | HSPF | COP |
|---------------------|------|------------------|-------------------|------|-------|------|------------------|------|------|-----|
| 4TEE3F31A1 | 1060 | 29600 | 21600 | 2.64 | 14.00 | 11.2 | 27000 | 2.37 | 8.4 | 3.3 |
| 4TEE3F37A1 | 990 | 29400 | 22200 | 2.58 | 14.00 | 11.4 | 26200 | 2.24 | 8.4 | 3.4 |
| 4TEE3F40A1 | 1000 | 30800 | 23600 | 2.59 | 14.75 | 11.9 | 27200 | 2.28 | 8.4 | 3.5 |
| 4TEP3F24A1 | 840 | 28200 | 20200 | 2.64 | 13.00 | 10.7 | 25600 | 2.27 | 8.0 | 3.3 |
| 4TEP3F30A1 | 1000 | 28400 | 21400 | 2.78 | 12.50 | 10.2 | 26800 | 2.45 | 7.8 | 3.2 |
| 4TEP3F36A1 | 1000 | 28600 | 21600 | 2.78 | 12.50 | 10.3 | 26800 | 2.45 | 7.8 | 3.2 |
| 4TEP3F42A1 | 1000 | 29200 | 22000 | 2.81 | 12.50 | 10.4 | 27400 | 2.49 | 7.8 | 3.2 |
| TWE030C14 | 1000 | 27800 | 20800 | 2.75 | 11.75 | 10.1 | 26000 | 2.40 | 7.8 | 3.2 |
| TWE030C14+4AYTXVH-3 | 1000 | 27800 | 20800 | 2.78 | 12.25 | 10.0 | 26200 | 2.43 | 7.8 | 3.2 |
| TWE036C14 | 1000 | 28400 | 21600 | 2.76 | 12.00 | 10.3 | 26600 | 2.43 | 7.9 | 3.2 |
| TWE036C14+4AYTXVH-3 | 1000 | 28200 | 21400 | 2.76 | 12.25 | 10.2 | 26400 | 2.42 | 7.9 | 3.2 |
| TWE042C14+4AYTXVH-3 | 1000 | 28800 | 21800 | 2.77 | 12.50 | 10.4 | 26800 | 2.43 | 7.9 | 3.2 |

OUTDOOR UNIT WITH FURNACE AND HEAT PUMP COILS

| COIL | CFM | COOLING CAPACITY | SENSIBLE CAPACITY | KW | SEER | EER | HEATING CAPACITY | KW | HSPF | COP |
|---------------------|------|------------------|-------------------|------|-------|------|------------------|------|------|-----|
| TDD060R9V3+RXC031S3 | 1000 | 29400 | 22200 | 2.63 | 13.75 | 11.2 | 26400 | 2.30 | 8.1 | 3.4 |
| TDD060R9V3+RXC036S3 | 1000 | 30000 | 22800 | 2.63 | 14.00 | 11.4 | 26800 | 2.30 | 8.1 | 3.4 |



System Ratings

4TWX4030B1

OUTDOOR UNIT WITH FURNACE AND HEAT PUMP COILS

| COIL | CFM | COOLING CAPACITY | SENSIBLE CAPACITY | KW | SEER | EER | HEATING CAPACITY | KW | HSPF | COP |
|-------------------------------|------|------------------|-------------------|------|-------|------|------------------|------|------|-----|
| TDD060R9V3+TXH033A4 | 990 | 29200 | 22200 | 2.58 | 13.50 | 11.3 | 26200 | 2.26 | 8.2 | 3.4 |
| TDD060R9V3+TXH033A4+4AYTXVH-3 | 990 | 29200 | 22200 | 2.58 | 14.00 | 11.3 | 26200 | 2.26 | 8.2 | 3.4 |
| TDD060R9V3+TXH041A4+4AYTXVH-3 | 990 | 29800 | 22400 | 2.61 | 14.25 | 11.4 | 26600 | 2.28 | 8.3 | 3.4 |
| TDD080R9V3+RXC031S3 | 950 | 29200 | 21600 | 2.61 | 14.00 | 11.2 | 26200 | 2.26 | 8.2 | 3.4 |
| TDD080R9V3+RXC036S3 | 950 | 29800 | 22200 | 2.61 | 14.25 | 11.4 | 26600 | 2.28 | 8.3 | 3.4 |
| TDD080R9V3+TXH033A4 | 960 | 29200 | 22000 | 2.58 | 13.50 | 11.3 | 26000 | 2.24 | 8.2 | 3.4 |
| TDD080R9V3+TXH033A4+4AYTXVH-3 | 960 | 29200 | 22000 | 2.58 | 14.00 | 11.3 | 26000 | 2.24 | 8.2 | 3.4 |
| TDD080R9V3+TXH041A4+4AYTXVH-3 | 960 | 29600 | 22000 | 2.60 | 14.25 | 11.4 | 26400 | 2.26 | 8.3 | 3.4 |
| TDY060R9V3+RXC031S3 | 870 | 29000 | 21000 | 2.59 | 13.75 | 11.2 | 25800 | 2.24 | 8.2 | 3.4 |
| TDY060R9V3+RXC036S3 | 870 | 29400 | 21200 | 2.58 | 14.00 | 11.4 | 26200 | 2.25 | 8.3 | 3.4 |
| TDY060R9V3+TXH033A4 | 860 | 28600 | 20800 | 2.53 | 13.50 | 11.3 | 25600 | 2.21 | 8.2 | 3.4 |
| TDY060R9V3+TXH033A4+4AYTXVH-3 | 860 | 28600 | 20600 | 2.55 | 14.00 | 11.2 | 25600 | 2.22 | 8.2 | 3.4 |
| TDY060R9V3+TXH041A4+4AYTXVH-3 | 870 | 29200 | 21000 | 2.56 | 14.00 | 11.4 | 26000 | 2.23 | 8.3 | 3.4 |
| TDY080R9V3+RXC031S3 | 890 | 28800 | 21000 | 2.62 | 13.50 | 11.0 | 26000 | 2.27 | 8.1 | 3.4 |
| TDY080R9V3+RXC036S3 | 890 | 29400 | 21400 | 2.63 | 13.75 | 11.2 | 26400 | 2.29 | 8.1 | 3.4 |
| TDY080R9V3+TXH033A4 | 880 | 28600 | 21000 | 2.58 | 13.25 | 11.1 | 25800 | 2.25 | 8.1 | 3.4 |
| TDY080R9V3+TXH033A4+4AYTXVH-3 | 880 | 28600 | 20800 | 2.58 | 13.75 | 11.1 | 25800 | 2.25 | 8.1 | 3.4 |
| TDY080R9V3+TXH041A4+4AYTXVH-3 | 890 | 29200 | 21200 | 2.61 | 14.00 | 11.2 | 26200 | 2.27 | 8.2 | 3.4 |
| TUD060R9V3+RXC031S3 | 1040 | 29400 | 22600 | 2.70 | 13.50 | 10.9 | 26800 | 2.36 | 8.1 | 3.3 |
| TUD060R9V3+RXC036S3 | 1040 | 30000 | 23000 | 2.68 | 13.75 | 11.2 | 27200 | 2.36 | 8.1 | 3.4 |
| TUD060R9V3+TXH033A4 | 1020 | 29200 | 22600 | 2.63 | 13.00 | 11.1 | 26400 | 2.31 | 8.1 | 3.4 |
| TUD060R9V3+TXH033A4+4AYTXVH-3 | 1020 | 29200 | 22400 | 2.63 | 13.75 | 11.1 | 26400 | 2.31 | 8.1 | 3.4 |
| TUD060R9V3+TXH041A4+4AYTXVH-3 | 1020 | 29600 | 22600 | 2.64 | 13.75 | 11.2 | 26800 | 2.32 | 8.1 | 3.4 |
| TUD080R9V3+RXC031S3 | 1000 | 29400 | 22200 | 2.65 | 13.75 | 11.1 | 26400 | 2.30 | 8.1 | 3.4 |
| TUD080R9V3+RXC036S3 | 1000 | 30000 | 22800 | 2.63 | 14.00 | 11.4 | 27000 | 2.32 | 8.1 | 3.4 |
| TUD080R9V3+TXH033A4 | 1010 | 29400 | 22600 | 2.63 | 13.25 | 11.2 | 26400 | 2.29 | 8.2 | 3.4 |
| TUD080R9V3+TXH033A4+4AYTXVH-3 | 1010 | 29200 | 22200 | 2.61 | 14.00 | 11.2 | 26200 | 2.27 | 8.2 | 3.4 |
| TUD080R9V3+TXH041A4+4AYTXVH-3 | 1010 | 29800 | 22600 | 2.61 | 14.00 | 11.4 | 26600 | 2.29 | 8.3 | 3.4 |
| TUY060R9V3+RXC031S3 | 880 | 29000 | 21000 | 2.61 | 13.75 | 11.1 | 26000 | 2.26 | 8.1 | 3.4 |
| TUY060R9V3+RXC036S3 | 880 | 29400 | 21200 | 2.60 | 14.00 | 11.3 | 26400 | 2.28 | 8.2 | 3.4 |
| TUY060R9V3+TXH033A4 | 870 | 28600 | 20800 | 2.55 | 13.25 | 11.2 | 25600 | 2.21 | 8.2 | 3.4 |
| TUY060R9V3+TXH033A4+4AYTXVH-3 | 870 | 28600 | 20800 | 2.55 | 13.75 | 11.2 | 25600 | 2.22 | 8.1 | 3.4 |
| TUY060R9V3+TXH041A4+4AYTXVH-3 | 870 | 29200 | 21000 | 2.58 | 14.00 | 11.3 | 26000 | 2.24 | 8.2 | 3.4 |
| TUY080R9V3+RXC031S3 | 860 | 28800 | 20800 | 2.55 | 14.00 | 11.3 | 25800 | 2.23 | 8.2 | 3.4 |
| TUY080R9V3+RXC036S3 | 860 | 29400 | 21200 | 2.58 | 14.25 | 11.4 | 26200 | 2.24 | 8.3 | 3.4 |
| TUY080R9V3+TXH033A4 | 850 | 28600 | 20800 | 2.53 | 13.50 | 11.3 | 25400 | 2.18 | 8.2 | 3.4 |
| TUY080R9V3+TXH033A4+4AYTXVH-3 | 850 | 28600 | 20600 | 2.55 | 14.00 | 11.2 | 25400 | 2.20 | 8.2 | 3.4 |
| TUY080R9V3+TXH041A4+4AYTXVH-3 | 850 | 29200 | 21000 | 2.56 | 14.25 | 11.4 | 25800 | 2.21 | 8.3 | 3.4 |

4TWX4036B1

OUTDOOR UNIT WITH HEAT PUMP COILS

| COIL | CFM | COOLING CAPACITY | SENSIBLE CAPACITY | KW | SEER | EER | HEATING CAPACITY | KW | HSPF | COP |
|----------|------|------------------|-------------------|------|-------|------|------------------|------|------|-----|
| RXC031S3 | 1110 | 34200 | 25200 | 3.23 | 12.75 | 10.6 | 31800 | 2.84 | 8.0 | 3.3 |
| RXC036S3 | 1200 | 35200 | 26600 | 3.26 | 13.00 | 10.8 | 32800 | 2.89 | 8.1 | 3.3 |
| RXC037S3 | 1200 | 35200 | 26600 | 3.26 | 13.00 | 10.8 | 32800 | 2.89 | 8.1 | 3.3 |
| RXC054S3 | 1200 | 35200 | 26400 | 3.29 | 13.00 | 10.7 | 32600 | 2.89 | 8.1 | 3.3 |



System Ratings

4TWX4036B1

OUTDOOR UNIT WITH HEAT PUMP COILS

| COIL | CFM | COOLING CAPACITY | SENSIBLE CAPACITY | KW | SEER | EER | HEATING CAPACITY | KW | HSPF | COP |
|--------------------|------|------------------|-------------------|------|-------|------|------------------|------|------|-----|
| TXA030C4+4AYTXVH-3 | 1100 | 33000 | 23800 | 3.24 | 12.50 | 10.2 | 31000 | 2.82 | 7.9 | 3.2 |
| TXA030C4+BAY24X045 | 1100 | 33000 | 24000 | 3.20 | 12.00 | 10.3 | 30800 | 2.79 | 7.9 | 3.2 |
| TXA031C4+4AYTXVH-3 | 1100 | 33400 | 24200 | 3.24 | 12.50 | 10.3 | 31200 | 2.82 | 7.9 | 3.2 |
| TXA031C4+BAY24X045 | 1100 | 33200 | 24400 | 3.19 | 12.25 | 10.4 | 31000 | 2.79 | 8.0 | 3.3 |
| TXA035C4+4AYTXVH-3 | 1100 | 33000 | 23800 | 3.24 | 12.50 | 10.2 | 31000 | 2.82 | 7.9 | 3.2 |
| TXA035C4+BAY24X045 | 1100 | 33000 | 24000 | 3.20 | 12.00 | 10.3 | 30800 | 2.79 | 7.9 | 3.2 |
| TXA036C4+4AYTXVH-3 | 1200 | 34000 | 25400 | 3.27 | 12.75 | 10.4 | 31800 | 2.87 | 7.9 | 3.3 |
| TXA036C4+BAY24X045 | 1200 | 34200 | 25800 | 3.26 | 12.25 | 10.5 | 32000 | 2.88 | 7.9 | 3.3 |
| TXA037C4+4AYTXVH-3 | 1200 | 34000 | 25400 | 3.27 | 12.75 | 10.4 | 31800 | 2.87 | 7.9 | 3.3 |
| TXA037C4+BAY24X045 | 1200 | 34200 | 25800 | 3.26 | 12.25 | 10.5 | 32000 | 2.88 | 7.9 | 3.3 |
| TXA042C4+4AYTXVH-3 | 1200 | 34400 | 25600 | 3.28 | 12.75 | 10.5 | 32200 | 2.89 | 7.9 | 3.3 |
| TXA042C4+BAY24X045 | 1200 | 34400 | 25800 | 3.25 | 12.25 | 10.6 | 32200 | 2.88 | 8.0 | 3.3 |
| TXA043C4+4AYTXVH-3 | 1200 | 34400 | 25600 | 3.28 | 12.75 | 10.5 | 32200 | 2.89 | 7.9 | 3.3 |
| TXA043C4+BAY24X045 | 1200 | 34400 | 25800 | 3.25 | 12.25 | 10.6 | 32200 | 2.88 | 8.0 | 3.3 |
| TXA048C4+4AYTXVH-3 | 1200 | 34800 | 26000 | 3.25 | 13.00 | 10.7 | 32400 | 2.89 | 8.1 | 3.3 |
| TXA049C4+4AYTXVH-3 | 1200 | 34800 | 26000 | 3.25 | 13.00 | 10.7 | 32400 | 2.89 | 8.1 | 3.3 |
| TXA050C4+4AYTXVH-3 | 1200 | 34800 | 26000 | 3.25 | 13.00 | 10.7 | 32400 | 2.89 | 8.1 | 3.3 |
| TXC030C4+4AYTXVH-3 | 1100 | 33000 | 23800 | 3.24 | 12.50 | 10.2 | 31000 | 2.82 | 7.9 | 3.2 |
| TXC030C4+BAY24X045 | 1100 | 33000 | 24000 | 3.20 | 12.00 | 10.3 | 30800 | 2.79 | 7.9 | 3.2 |
| TXC030D4+4AYTXVH-3 | 1100 | 33000 | 23800 | 3.24 | 12.50 | 10.2 | 31000 | 2.82 | 7.9 | 3.2 |
| TXC030D4+BAY24X045 | 1100 | 33000 | 24000 | 3.20 | 12.00 | 10.3 | 30800 | 2.79 | 7.9 | 3.2 |
| TXC031C4+4AYTXVH-3 | 1100 | 33400 | 24200 | 3.24 | 12.50 | 10.3 | 31200 | 2.82 | 7.9 | 3.2 |
| TXC031C4+BAY24X045 | 1100 | 33200 | 24400 | 3.19 | 12.25 | 10.4 | 31000 | 2.79 | 8.0 | 3.3 |
| TXC031D4+4AYTXVH-3 | 1100 | 33400 | 24200 | 3.24 | 12.50 | 10.3 | 31200 | 2.82 | 7.9 | 3.2 |
| TXC031D4+BAY24X045 | 1100 | 33200 | 24400 | 3.19 | 12.25 | 10.4 | 31000 | 2.79 | 8.0 | 3.3 |
| TXC035C4+4AYTXVH-3 | 1100 | 33000 | 23800 | 3.24 | 12.50 | 10.2 | 31000 | 2.82 | 7.9 | 3.2 |
| TXC035C4+BAY24X045 | 1100 | 33000 | 24000 | 3.20 | 12.00 | 10.3 | 30800 | 2.79 | 7.9 | 3.2 |
| TXC035D4+4AYTXVH-3 | 1100 | 33000 | 23800 | 3.24 | 12.50 | 10.2 | 31000 | 2.82 | 7.9 | 3.2 |
| TXC035D4+BAY24X045 | 1100 | 33000 | 24000 | 3.20 | 12.00 | 10.3 | 30800 | 2.79 | 7.9 | 3.2 |
| TXC036C4+4AYTXVH-3 | 1200 | 34000 | 25400 | 3.27 | 12.75 | 10.4 | 31800 | 2.87 | 7.9 | 3.3 |
| TXC036C4+BAY24X045 | 1200 | 34200 | 25800 | 3.26 | 12.25 | 10.5 | 32000 | 2.88 | 7.9 | 3.3 |
| TXC036D4+4AYTXVH-3 | 1200 | 34000 | 25400 | 3.27 | 12.75 | 10.4 | 31800 | 2.87 | 7.9 | 3.3 |
| TXC036D4+BAY24X045 | 1200 | 34200 | 25800 | 3.26 | 12.25 | 10.5 | 32000 | 2.88 | 7.9 | 3.3 |
| TXC037C4+4AYTXVH-3 | 1200 | 34000 | 25400 | 3.27 | 12.75 | 10.4 | 31800 | 2.87 | 7.9 | 3.3 |
| TXC037C4+BAY24X045 | 1200 | 34200 | 25800 | 3.26 | 12.25 | 10.5 | 32000 | 2.88 | 7.9 | 3.3 |
| TXC042C4+4AYTXVH-3 | 1200 | 34400 | 25600 | 3.28 | 12.75 | 10.5 | 32200 | 2.89 | 7.9 | 3.3 |
| TXC042C4+BAY24X045 | 1200 | 34400 | 25800 | 3.25 | 12.25 | 10.6 | 32200 | 2.88 | 8.0 | 3.3 |
| TXC043C4+4AYTXVH-3 | 1200 | 34400 | 25600 | 3.28 | 12.75 | 10.5 | 32200 | 2.89 | 7.9 | 3.3 |
| TXC043C4+BAY24X045 | 1200 | 34400 | 25800 | 3.25 | 12.25 | 10.6 | 32200 | 2.88 | 8.0 | 3.3 |
| TXC048C4+4AYTXVH-3 | 1200 | 34800 | 26000 | 3.25 | 13.00 | 10.7 | 32400 | 2.89 | 8.1 | 3.3 |
| TXC049C4+4AYTXVH-3 | 1200 | 34800 | 26000 | 3.25 | 13.00 | 10.7 | 32400 | 2.89 | 8.1 | 3.3 |
| TXC050C4+4AYTXVH-3 | 1200 | 34800 | 26000 | 3.25 | 13.00 | 10.7 | 32400 | 2.89 | 8.1 | 3.3 |
| TXH033A4 | 1200 | 34000 | 26000 | 3.24 | 12.00 | 10.5 | 31800 | 2.86 | 7.9 | 3.3 |
| TXH033A4+4AYTXVH-3 | 1200 | 34000 | 26000 | 3.27 | 12.75 | 10.4 | 31800 | 2.87 | 7.9 | 3.3 |
| TXH033A4+BAY24X045 | 1200 | 34000 | 26000 | 3.24 | 12.25 | 10.5 | 31800 | 2.86 | 7.9 | 3.3 |
| TXH041A4 | 1200 | 35000 | 26600 | 3.27 | 12.25 | 10.7 | 32600 | 2.89 | 8.1 | 3.3 |
| TXH041A4+4AYTXVH-3 | 1200 | 34800 | 26200 | 3.25 | 13.00 | 10.7 | 32400 | 2.89 | 8.1 | 3.3 |
| TXH041A4+BAY24X045 | 1200 | 35000 | 26600 | 3.27 | 12.50 | 10.7 | 32600 | 2.89 | 8.1 | 3.3 |



System Ratings

4TWX4036B1

OUTDOOR UNIT WITH AIR HANDLERS

| COIL | CFM | COOLING CAPACITY | SENSIBLE CAPACITY | KW | SEER | EER | HEATING CAPACITY | KW | HSPF | COP |
|---------------------|------|------------------|-------------------|------|-------|------|------------------|------|------|-----|
| 4TEE3F31A1 | 1220 | 34200 | 26000 | 3.20 | 13.00 | 10.7 | 31800 | 2.82 | 8.1 | 3.3 |
| 4TEE3F37A1 | 1170 | 35400 | 25400 | 3.05 | 14.00 | 11.6 | 32000 | 2.72 | 8.7 | 3.5 |
| 4TEE3F40A1 | 1200 | 36600 | 28000 | 3.08 | 14.50 | 11.9 | 32600 | 2.71 | 8.6 | 3.5 |
| 4TEP3F30A1 | 1050 | 33400 | 24200 | 3.21 | 12.50 | 10.4 | 31200 | 2.80 | 8.0 | 3.3 |
| 4TEP3F36A1 | 1200 | 34000 | 25600 | 3.27 | 12.50 | 10.4 | 32000 | 2.88 | 8.0 | 3.3 |
| 4TEP3F42A1 | 1200 | 35000 | 26400 | 3.27 | 13.00 | 10.7 | 32600 | 2.89 | 8.1 | 3.3 |
| 4TEP3F48B1 | 1350 | 35800 | 28200 | 3.28 | 13.00 | 10.9 | 33400 | 2.94 | 8.1 | 3.3 |
| TWE036C14 | 1200 | 33800 | 25800 | 3.22 | 12.00 | 10.5 | 31600 | 2.84 | 8.1 | 3.3 |
| TWE036C14+4AYTXVH-3 | 1200 | 33600 | 25400 | 3.23 | 12.50 | 10.4 | 31600 | 2.86 | 8.1 | 3.2 |
| TWE042C14 | 1200 | 34400 | 26200 | 3.28 | 12.25 | 10.5 | 32200 | 2.89 | 8.1 | 3.3 |
| TWE042C14+4AYTXVH-3 | 1200 | 34400 | 26000 | 3.28 | 12.75 | 10.5 | 32200 | 2.89 | 8.1 | 3.3 |
| TWE048C14+4AYTXVH-3 | 1200 | 34800 | 26200 | 3.31 | 12.75 | 10.5 | 32800 | 2.94 | 8.1 | 3.3 |

OUTDOOR UNIT WITH FURNACE AND HEAT PUMP COILS

| COIL | CFM | COOLING CAPACITY | SENSIBLE CAPACITY | KW | SEER | EER | HEATING CAPACITY | KW | HSPF | COP |
|-------------------------------|------|------------------|-------------------|------|-------|------|------------------|------|------|-----|
| TDD060R9V3+RXC031S3 | 1220 | 34800 | 26400 | 3.19 | 13.25 | 10.9 | 32000 | 2.81 | 8.1 | 3.3 |
| TDD060R9V3+RXC036S3 | 1220 | 35600 | 27000 | 3.15 | 13.75 | 11.3 | 32600 | 2.81 | 8.3 | 3.4 |
| TDD060R9V3+TXH033A4 | 1210 | 34400 | 26400 | 3.10 | 13.00 | 11.1 | 31400 | 2.73 | 8.2 | 3.4 |
| TDD060R9V3+TXH033A4+4AYTXVH-3 | 1210 | 34400 | 26200 | 3.13 | 13.50 | 11.0 | 31400 | 2.74 | 8.2 | 3.4 |
| TDD060R9V3+TXH041A4 | 1210 | 35600 | 27200 | 3.12 | 13.25 | 11.4 | 32200 | 2.76 | 8.3 | 3.4 |
| TDD060R9V3+TXH041A4+4AYTXVH-3 | 1210 | 35400 | 26800 | 3.13 | 14.00 | 11.3 | 32000 | 2.74 | 8.3 | 3.4 |
| TDD080R9V3+RXC031S3 | 1120 | 34600 | 25600 | 3.12 | 13.50 | 11.1 | 31600 | 2.75 | 8.3 | 3.4 |
| TDD080R9V3+RXC036S3 | 1130 | 35400 | 26200 | 3.11 | 14.00 | 11.4 | 32000 | 2.74 | 8.3 | 3.4 |
| TDD080R9V3+TXH033A4 | 1130 | 34200 | 25800 | 3.08 | 13.25 | 11.1 | 31000 | 2.69 | 8.3 | 3.4 |
| TDD080R9V3+TXH033A4+4AYTXVH-3 | 1130 | 34200 | 25600 | 3.11 | 13.50 | 11.0 | 31000 | 2.70 | 8.3 | 3.4 |
| TDD080R9V3+TXH041A4 | 1140 | 35400 | 26400 | 3.11 | 13.50 | 11.4 | 31800 | 2.72 | 8.3 | 3.4 |
| TDD080R9V3+TXH041A4+4AYTXVH-3 | 1140 | 35200 | 26000 | 3.09 | 14.00 | 11.4 | 31800 | 2.72 | 8.3 | 3.4 |
| TDD100R9V5+RXC037S3 | 1040 | 35400 | 25400 | 3.00 | 14.50 | 11.8 | 31400 | 2.62 | 8.5 | 3.5 |
| TDD100R9V5+TXH033A4 | 1040 | 34000 | 24800 | 2.96 | 13.75 | 11.5 | 30200 | 2.56 | 8.4 | 3.5 |
| TDD100R9V5+TXH033A4+4AYTXVH-3 | 1040 | 34000 | 24600 | 2.98 | 14.25 | 11.4 | 30400 | 2.59 | 8.4 | 3.4 |
| TDD100R9V5+TXH041A4 | 1040 | 35000 | 25400 | 2.97 | 14.00 | 11.8 | 31000 | 2.60 | 8.5 | 3.5 |
| TDD100R9V5+TXH041A4+4AYTXVH-3 | 1040 | 35000 | 25200 | 2.99 | 14.50 | 11.7 | 31000 | 2.60 | 8.5 | 3.5 |
| TDY060R9V3+RXC031S3 | 1090 | 34400 | 25200 | 3.13 | 13.50 | 11.0 | 31400 | 2.74 | 8.2 | 3.4 |
| TDY060R9V3+RXC036S3 | 1090 | 35200 | 25800 | 3.12 | 14.00 | 11.3 | 32000 | 2.74 | 8.3 | 3.4 |
| TDY060R9V3+TXH033A4 | 1070 | 33800 | 25000 | 3.05 | 13.25 | 11.1 | 30600 | 2.65 | 8.3 | 3.4 |
| TDY060R9V3+TXH033A4+4AYTXVH-3 | 1070 | 33800 | 24800 | 3.07 | 13.50 | 11.0 | 30800 | 2.69 | 8.2 | 3.4 |
| TDY060R9V3+TXH041A4 | 1070 | 35000 | 25600 | 3.07 | 13.50 | 11.4 | 31400 | 2.68 | 8.4 | 3.4 |
| TDY060R9V3+TXH041A4+4AYTXVH-3 | 1070 | 34800 | 25200 | 3.08 | 14.00 | 11.3 | 31400 | 2.69 | 8.4 | 3.4 |
| TDY080R9V3+RXC031S3 | 1090 | 34200 | 25000 | 3.17 | 13.25 | 10.8 | 31600 | 2.78 | 8.1 | 3.3 |
| TDY080R9V3+RXC036S3 | 1100 | 35200 | 25800 | 3.17 | 13.50 | 11.1 | 32200 | 2.80 | 8.1 | 3.4 |
| TDY080R9V3+TXH033A4 | 1110 | 33800 | 25200 | 3.10 | 12.75 | 10.9 | 31000 | 2.72 | 8.1 | 3.3 |
| TDY080R9V3+TXH033A4+4AYTXVH-3 | 1110 | 34000 | 25200 | 3.15 | 13.25 | 10.8 | 31200 | 2.75 | 8.1 | 3.3 |
| TDY080R9V3+TXH041A4 | 1110 | 35000 | 26000 | 3.13 | 13.00 | 11.2 | 31800 | 2.75 | 8.2 | 3.4 |
| TDY080R9V3+TXH041A4+4AYTXVH-3 | 1110 | 34800 | 25600 | 3.14 | 13.50 | 11.1 | 31800 | 2.76 | 8.2 | 3.4 |
| TDY100R9V4+RXC037S3 | 1050 | 35200 | 25400 | 3.09 | 14.00 | 11.4 | 31600 | 2.69 | 8.4 | 3.4 |
| TDY100R9V4+TXH033A4 | 1050 | 33800 | 24800 | 3.05 | 13.25 | 11.1 | 30600 | 2.65 | 8.3 | 3.4 |
| TDY100R9V4+TXH033A4+4AYTXVH-3 | 1050 | 33800 | 24600 | 3.07 | 13.50 | 11.0 | 30800 | 2.68 | 8.3 | 3.4 |
| TDY100R9V4+TXH041A4 | 1060 | 35000 | 25600 | 3.07 | 13.50 | 11.4 | 31400 | 2.67 | 8.4 | 3.4 |
| TDY100R9V4+TXH041A4+4AYTXVH-3 | 1060 | 34800 | 25200 | 3.05 | 14.00 | 11.4 | 31400 | 2.68 | 8.4 | 3.4 |



System Ratings

4TWX4036B1

OUTDOOR UNIT WITH FURNACE AND HEAT PUMP COILS

| COIL | CFM | COOLING CAPACITY | SENSIBLE CAPACITY | KW | SEER | EER | HEATING CAPACITY | KW | HSPF | COP |
|-------------------------------|------|------------------|-------------------|------|-------|------|------------------|------|------|-----|
| TUD060R9V3+RXC031S3 | 1190 | 34600 | 26000 | 3.20 | 13.25 | 10.8 | 32000 | 2.82 | 8.1 | 3.3 |
| TUD060R9V3+RXC036S3 | 1200 | 35400 | 26800 | 3.19 | 13.50 | 11.1 | 32600 | 2.83 | 8.1 | 3.4 |
| TUD060R9V3+TXH033A4 | 1210 | 34200 | 26200 | 3.17 | 12.75 | 10.8 | 31600 | 2.78 | 8.1 | 3.3 |
| TUD060R9V3+TXH033A4+4AYTXVH-3 | 1210 | 34200 | 26200 | 3.17 | 13.25 | 10.8 | 31600 | 2.79 | 8.1 | 3.3 |
| TUD060R9V3+TXH041A4 | 1210 | 35400 | 27000 | 3.19 | 13.00 | 11.1 | 32400 | 2.81 | 8.2 | 3.4 |
| TUD060R9V3+TXH041A4+4AYTXVH-3 | 1210 | 35200 | 26600 | 3.17 | 13.50 | 11.1 | 32200 | 2.79 | 8.2 | 3.4 |
| TUD080R9V3+RXC031S3 | 1190 | 34600 | 26000 | 3.20 | 13.25 | 10.8 | 32000 | 2.82 | 8.1 | 3.3 |
| TUD080R9V3+RXC036S3 | 1200 | 35600 | 27000 | 3.18 | 13.50 | 11.2 | 32600 | 2.83 | 8.2 | 3.4 |
| TUD080R9V3+TXH033A4 | 1200 | 34400 | 26400 | 3.16 | 13.00 | 10.9 | 31400 | 2.75 | 8.2 | 3.4 |
| TUD080R9V3+TXH033A4+4AYTXVH-3 | 1200 | 34400 | 26200 | 3.16 | 13.25 | 10.9 | 31400 | 2.75 | 8.1 | 3.3 |
| TUD080R9V3+TXH041A4 | 1200 | 35400 | 27000 | 3.16 | 13.25 | 11.2 | 32200 | 2.77 | 8.3 | 3.4 |
| TUD080R9V3+TXH041A4+4AYTXVH-3 | 1200 | 35200 | 26600 | 3.14 | 13.75 | 11.2 | 32000 | 2.76 | 8.2 | 3.4 |
| TUD100R9V5+RXC037S3 | 1050 | 35400 | 25600 | 3.00 | 14.50 | 11.8 | 31400 | 2.63 | 8.5 | 3.5 |
| TUD100R9V5+TXH033A4 | 1050 | 34000 | 25000 | 2.96 | 13.75 | 11.5 | 30400 | 2.58 | 8.4 | 3.5 |
| TUD100R9V5+TXH033A4+4AYTXVH-3 | 1050 | 34200 | 24800 | 3.00 | 14.00 | 11.4 | 30400 | 2.60 | 8.4 | 3.4 |
| TUD100R9V5+TXH041A4 | 1050 | 35000 | 25400 | 2.97 | 14.00 | 11.8 | 31200 | 2.61 | 8.5 | 3.5 |
| TUD100R9V5+TXH041A4+4AYTXVH-3 | 1050 | 35000 | 25200 | 2.99 | 14.50 | 11.7 | 31000 | 2.60 | 8.4 | 3.5 |
| TUY060R9V3+RXC031S3 | 1080 | 34400 | 25000 | 3.16 | 13.50 | 10.9 | 31400 | 2.75 | 8.2 | 3.4 |
| TUY060R9V3+RXC036S3 | 1080 | 35200 | 25600 | 3.12 | 13.75 | 11.3 | 31800 | 2.74 | 8.2 | 3.4 |
| TUY060R9V3+TXH033A4 | 1070 | 33800 | 25000 | 3.07 | 13.00 | 11.0 | 30800 | 2.69 | 8.2 | 3.4 |
| TUY060R9V3+TXH033A4+4AYTXVH-3 | 1070 | 33800 | 24800 | 3.10 | 13.50 | 10.9 | 30800 | 2.69 | 8.2 | 3.4 |
| TUY060R9V3+TXH041A4 | 1060 | 34800 | 25400 | 3.08 | 13.25 | 11.3 | 31400 | 2.69 | 8.3 | 3.4 |
| TUY060R9V3+TXH041A4+4AYTXVH-3 | 1060 | 34800 | 25200 | 3.08 | 13.75 | 11.3 | 31400 | 2.70 | 8.3 | 3.4 |
| TUY080R9V3+RXC031S3 | 1040 | 34200 | 24600 | 3.08 | 13.75 | 11.1 | 31000 | 2.69 | 8.3 | 3.4 |
| TUY080R9V3+RXC036S3 | 1030 | 35000 | 25200 | 3.07 | 14.00 | 11.4 | 31600 | 2.70 | 8.4 | 3.4 |
| TUY080R9V3+TXH033A4 | 1030 | 33600 | 24400 | 3.00 | 13.25 | 11.2 | 30400 | 2.63 | 8.3 | 3.4 |
| TUY080R9V3+TXH033A4+4AYTXVH-3 | 1030 | 33800 | 24400 | 3.05 | 13.75 | 11.1 | 30600 | 2.65 | 8.3 | 3.4 |
| TUY080R9V3+TXH041A4 | 1030 | 34800 | 25200 | 3.03 | 13.50 | 11.5 | 31200 | 2.65 | 8.4 | 3.5 |
| TUY080R9V3+TXH041A4+4AYTXVH-3 | 1030 | 34600 | 24800 | 3.04 | 14.00 | 11.4 | 31200 | 2.66 | 8.4 | 3.4 |
| TUY100R9V4+RXC037S3 | 1050 | 35200 | 25400 | 3.03 | 14.25 | 11.6 | 31600 | 2.68 | 8.4 | 3.5 |
| TUY100R9V4+TXH033A4 | 1050 | 33800 | 24800 | 2.99 | 13.25 | 11.3 | 30400 | 2.61 | 8.3 | 3.4 |
| TUY100R9V4+TXH033A4+4AYTXVH-3 | 1050 | 34000 | 24800 | 3.04 | 13.75 | 11.2 | 30600 | 2.64 | 8.3 | 3.4 |
| TUY100R9V4+TXH041A4 | 1050 | 35000 | 25400 | 3.02 | 13.75 | 11.6 | 31200 | 2.64 | 8.4 | 3.5 |
| TUY100R9V4+TXH041A4+4AYTXVH-3 | 1050 | 34800 | 25000 | 3.03 | 14.25 | 11.5 | 31200 | 2.65 | 8.4 | 3.5 |

4TWX4042B1

OUTDOOR UNIT WITH HEAT PUMP COILS

| COIL | CFM | COOLING CAPACITY | SENSIBLE CAPACITY | KW | SEER | EER | HEATING CAPACITY | KW | HSPF | COP |
|--------------------|------|------------------|-------------------|------|-------|------|------------------|------|------|-----|
| RXC036S3 | 1280 | 41000 | 29800 | 3.94 | 13.00 | 10.4 | 38200 | 3.41 | 8.1 | 3.3 |
| RXC037S3 | 1400 | 41000 | 30800 | 3.94 | 13.00 | 10.4 | 38800 | 3.47 | 8.1 | 3.3 |
| RXC054S3 | 1400 | 41000 | 30600 | 3.94 | 12.75 | 10.4 | 38600 | 3.46 | 8.1 | 3.3 |
| TXA035C4+4AYTXVH-3 | 1100 | 37500 | 25800 | 3.79 | 12.25 | 9.9 | 35400 | 3.27 | 7.9 | 3.2 |
| TXA036C4+4AYTXVH-3 | 1200 | 39000 | 27600 | 3.86 | 12.50 | 10.1 | 36800 | 3.35 | 8.0 | 3.2 |
| TXA036C4+BAY24X045 | 1200 | 39000 | 27800 | 3.82 | 12.25 | 10.2 | 36600 | 3.32 | 8.1 | 3.2 |
| TXA037C4+4AYTXVH-3 | 1400 | 40000 | 29600 | 3.96 | 12.50 | 10.1 | 37800 | 3.45 | 8.0 | 3.2 |
| TXA037C4+BAY24X045 | 1400 | 40000 | 30000 | 3.96 | 12.00 | 10.1 | 37800 | 3.43 | 8.1 | 3.2 |



System Ratings

4TWX4042B1

OUTDOOR UNIT WITH HEAT PUMP COILS

| COIL | CFM | COOLING CAPACITY | SENSIBLE CAPACITY | KW | SEER | EER | HEATING CAPACITY | KW | HSPF | COP |
|--------------------|------|------------------|-------------------|------|-------|------|------------------|------|------|-----|
| TXA042C4 | 1200 | 39000 | 27800 | 3.82 | 12.00 | 10.2 | 36800 | 3.33 | 8.1 | 3.2 |
| TXA042C4+4AYTXVH-3 | 1200 | 39500 | 28000 | 3.87 | 12.75 | 10.2 | 37000 | 3.36 | 8.1 | 3.2 |
| TXA042C4+BAY24X045 | 1200 | 39000 | 27800 | 3.82 | 12.25 | 10.2 | 36800 | 3.33 | 8.1 | 3.2 |
| TXA043C4+4AYTXVH-3 | 1400 | 40000 | 29600 | 3.92 | 12.50 | 10.2 | 38000 | 3.45 | 8.1 | 3.2 |
| TXA043C4+BAY24X045 | 1400 | 40000 | 30000 | 3.92 | 12.25 | 10.2 | 38000 | 3.44 | 8.1 | 3.2 |
| TXA048C4+4AYTXVH-3 | 1350 | 40500 | 29600 | 3.93 | 12.75 | 10.3 | 38200 | 3.44 | 8.1 | 3.3 |
| TXA048C4+BAY24X045 | 1350 | 40500 | 30000 | 3.93 | 12.25 | 10.3 | 38200 | 3.43 | 8.1 | 3.3 |
| TXA049C4+4AYTXVH-3 | 1400 | 40500 | 30000 | 3.93 | 12.75 | 10.3 | 38400 | 3.46 | 8.1 | 3.3 |
| TXA049C4+BAY24X045 | 1400 | 41000 | 30600 | 3.98 | 12.25 | 10.3 | 38400 | 3.45 | 8.1 | 3.3 |
| TXA050C4+4AYTXVH-3 | 1400 | 40500 | 30000 | 3.93 | 12.75 | 10.3 | 38400 | 3.46 | 8.1 | 3.3 |
| TXA050C4+BAY24X045 | 1400 | 41000 | 30600 | 3.98 | 12.25 | 10.3 | 38400 | 3.45 | 8.1 | 3.3 |
| TXC035C4+4AYTXVH-3 | 1100 | 37500 | 25800 | 3.79 | 12.25 | 9.9 | 35400 | 3.27 | 7.9 | 3.2 |
| TXC035D4+4AYTXVH-3 | 1100 | 37500 | 25800 | 3.79 | 12.25 | 9.9 | 35400 | 3.27 | 7.9 | 3.2 |
| TXC036C4+4AYTXVH-3 | 1200 | 39000 | 27600 | 3.86 | 12.50 | 10.1 | 36800 | 3.35 | 8.0 | 3.2 |
| TXC036C4+BAY24X045 | 1200 | 39000 | 27800 | 3.82 | 12.25 | 10.2 | 36600 | 3.32 | 8.1 | 3.2 |
| TXC036D4+4AYTXVH-3 | 1200 | 39000 | 27600 | 3.86 | 12.50 | 10.1 | 36800 | 3.35 | 8.0 | 3.2 |
| TXC036D4+BAY24X045 | 1200 | 39000 | 27800 | 3.82 | 12.25 | 10.2 | 36600 | 3.32 | 8.1 | 3.2 |
| TXC037C4+4AYTXVH-3 | 1400 | 40000 | 29600 | 3.96 | 12.50 | 10.1 | 37800 | 3.45 | 8.0 | 3.2 |
| TXC037C4+BAY24X045 | 1400 | 40000 | 30000 | 3.96 | 12.00 | 10.1 | 37800 | 3.43 | 8.1 | 3.2 |
| TXC042C4+4AYTXVH-3 | 1200 | 39500 | 28000 | 3.87 | 12.75 | 10.2 | 37000 | 3.36 | 8.1 | 3.2 |
| TXC042C4+BAY24X045 | 1200 | 39000 | 27800 | 3.82 | 12.25 | 10.2 | 36800 | 3.33 | 8.1 | 3.2 |
| TXC043C4+4AYTXVH-3 | 1400 | 40000 | 29600 | 3.92 | 12.50 | 10.2 | 38000 | 3.45 | 8.1 | 3.2 |
| TXC043C4+BAY24X045 | 1400 | 40000 | 30000 | 3.92 | 12.25 | 10.2 | 38000 | 3.44 | 8.1 | 3.2 |
| TXC048C4+4AYTXVH-3 | 1350 | 40500 | 29600 | 3.93 | 12.75 | 10.3 | 38200 | 3.44 | 8.1 | 3.3 |
| TXC048C4+BAY24X045 | 1350 | 40500 | 30000 | 3.93 | 12.25 | 10.3 | 38200 | 3.43 | 8.1 | 3.3 |
| TXC049C4+4AYTXVH-3 | 1400 | 40500 | 30000 | 3.93 | 12.75 | 10.3 | 38400 | 3.46 | 8.1 | 3.3 |
| TXC049C4+BAY24X045 | 1400 | 41000 | 30600 | 3.98 | 12.25 | 10.3 | 38400 | 3.45 | 8.1 | 3.3 |
| TXC050C4+4AYTXVH-3 | 1400 | 40500 | 30000 | 3.93 | 12.75 | 10.3 | 38400 | 3.46 | 8.1 | 3.3 |
| TXC050C4+BAY24X045 | 1400 | 41000 | 30600 | 3.98 | 12.25 | 10.3 | 38400 | 3.45 | 8.1 | 3.3 |
| TXH041A4+4AYTXVH-3 | 1400 | 41000 | 30800 | 3.98 | 12.75 | 10.3 | 38400 | 3.45 | 8.1 | 3.3 |
| TXH041A4+BAY24X045 | 1400 | 41000 | 31000 | 3.98 | 12.25 | 10.3 | 38600 | 3.47 | 8.1 | 3.3 |
| TXH054A4+4AYTXVH-3 | 1400 | 42000 | 32000 | 3.96 | 13.00 | 10.6 | 39400 | 3.50 | 8.2 | 3.3 |

OUTDOOR UNIT WITH AIR HANDLERS

| COIL | CFM | COOLING CAPACITY | SENSIBLE CAPACITY | KW | SEER | EER | HEATING CAPACITY | KW | HSPF | COP |
|---------------------|------|------------------|-------------------|------|-------|------|------------------|------|------|-----|
| 4TEE3F37A1 | 1360 | 40500 | 30200 | 3.82 | 13.25 | 10.6 | 37400 | 3.31 | 8.3 | 3.3 |
| 4TEE3F40A1 | 1270 | 43000 | 30800 | 3.71 | 14.00 | 11.6 | 39500 | 3.15 | 8.9 | 3.7 |
| 4TEE3F49A1 | 1410 | 43000 | 32800 | 3.81 | 14.00 | 11.3 | 39400 | 3.36 | 8.6 | 3.4 |
| 4TEP3F36A1 | 1400 | 39500 | 29600 | 3.99 | 12.25 | 9.9 | 38000 | 3.49 | 8.0 | 3.2 |
| 4TEP3F42A1 | 1400 | 41000 | 30800 | 3.98 | 13.00 | 10.3 | 38600 | 3.46 | 8.1 | 3.3 |
| 4TEP3F48B1 | 1575 | 42000 | 33000 | 4.00 | 13.00 | 10.5 | 39600 | 3.53 | 8.1 | 3.3 |
| TWE036C14+4AYTXVH-3 | 1400 | 39000 | 29200 | 3.98 | 12.00 | 9.8 | 37600 | 3.48 | 8.1 | 3.2 |
| TWE042C14+4AYTXVH-3 | 1400 | 40000 | 30000 | 4.04 | 12.25 | 9.9 | 38200 | 3.52 | 8.1 | 3.2 |
| TWE048C14 | 1400 | 41000 | 31000 | 3.98 | 12.25 | 10.3 | 38800 | 3.50 | 8.2 | 3.3 |
| TWE048C14+4AYTXVH-3 | 1400 | 41000 | 30800 | 3.98 | 12.75 | 10.3 | 38600 | 3.48 | 8.2 | 3.3 |



System Ratings

4TWX4042B1

OUTDOOR UNIT WITH FURNACE AND HEAT PUMP COILS

| COIL | CFM | COOLING CAPACITY | SENSIBLE CAPACITY | KW | SEER | EER | HEATING CAPACITY | KW | HSPF | COP |
|-------------------------------|------|------------------|-------------------|------|-------|------|------------------|------|------|-----|
| TDD080R9V3+RXC036S3 | 1330 | 41000 | 30200 | 3.87 | 13.25 | 10.6 | 38400 | 3.40 | 8.2 | 3.3 |
| TDD080R9V3+TXH041A4 | 1340 | 41000 | 30600 | 3.87 | 12.75 | 10.6 | 38000 | 3.35 | 8.3 | 3.3 |
| TDD080R9V3+TXH041A4+4AYTXVH-3 | 1340 | 41000 | 30400 | 3.87 | 13.25 | 10.6 | 38000 | 3.36 | 8.2 | 3.3 |
| TDD080R9V3+TXH054A4+4AYTXVH-3 | 1340 | 42000 | 31600 | 3.89 | 13.50 | 10.8 | 38800 | 3.39 | 8.3 | 3.4 |
| TDD100R9V5+RXC037S3 | 1410 | 41500 | 31200 | 3.81 | 13.50 | 10.9 | 38400 | 3.34 | 8.4 | 3.4 |
| TDD100R9V5+RXC054S3 | 1420 | 41500 | 31000 | 3.81 | 13.50 | 10.9 | 38200 | 3.33 | 8.3 | 3.4 |
| TDD100R9V5+TXH041A4 | 1410 | 41500 | 31400 | 3.81 | 13.25 | 10.9 | 38200 | 3.32 | 8.4 | 3.4 |
| TDD100R9V5+TXH041A4+4AYTXVH-3 | 1410 | 41500 | 31200 | 3.81 | 13.75 | 10.9 | 38000 | 3.30 | 8.3 | 3.4 |
| TDD100R9V5+TXH054A4+4AYTXVH-3 | 1420 | 42500 | 32600 | 3.83 | 13.75 | 11.1 | 39000 | 3.36 | 8.4 | 3.4 |
| TDD120R9V5+TXH041A4 | 1420 | 41500 | 31600 | 3.74 | 13.50 | 11.1 | 38000 | 3.27 | 8.4 | 3.4 |
| TDD120R9V5+TXH041A4+4AYTXVH-3 | 1420 | 41500 | 31400 | 3.74 | 14.00 | 11.1 | 37800 | 3.26 | 8.4 | 3.4 |
| TDD120R9V5+TXH054A4+4AYTXVH-3 | 1430 | 42500 | 32600 | 3.79 | 14.00 | 11.2 | 38800 | 3.31 | 8.4 | 3.4 |
| TDY080R9V3+TXH033A4 | 1220 | 38500 | 28200 | 3.77 | 12.25 | 10.2 | 36200 | 3.28 | 8.1 | 3.2 |
| TDY100R9V4+RXC037S3 | 1230 | 41000 | 29400 | 3.80 | 13.50 | 10.8 | 37600 | 3.29 | 8.3 | 3.4 |
| TDY100R9V4+RXC054S3 | 1230 | 40500 | 28800 | 3.79 | 13.25 | 10.7 | 37400 | 3.29 | 8.3 | 3.3 |
| TDY100R9V4+TXH041A4 | 1230 | 40500 | 29400 | 3.75 | 13.00 | 10.8 | 37400 | 3.28 | 8.3 | 3.3 |
| TDY100R9V4+TXH041A4+4AYTXVH-3 | 1230 | 40500 | 29200 | 3.79 | 13.25 | 10.7 | 37400 | 3.29 | 8.3 | 3.3 |
| TDY120R9V5+TXH041A4 | 1210 | 40500 | 29200 | 3.72 | 13.00 | 10.9 | 37000 | 3.22 | 8.3 | 3.4 |
| TDY120R9V5+TXH041A4+4AYTXVH-3 | 1210 | 40500 | 29000 | 3.75 | 13.50 | 10.8 | 37200 | 3.24 | 8.3 | 3.4 |
| TUD080R9V3+RXC036S3 | 1410 | 41000 | 30800 | 3.98 | 12.75 | 10.3 | 39000 | 3.51 | 8.1 | 3.3 |
| TUD080R9V3+TXH041A4 | 1420 | 41000 | 31200 | 3.94 | 12.50 | 10.4 | 38600 | 3.46 | 8.1 | 3.3 |
| TUD080R9V3+TXH041A4+4AYTXVH-3 | 1420 | 41000 | 31000 | 3.94 | 12.75 | 10.4 | 38600 | 3.46 | 8.1 | 3.3 |
| TUD080R9V3+TXH054A4+4AYTXVH-3 | 1420 | 42000 | 32200 | 3.96 | 13.00 | 10.6 | 39400 | 3.50 | 8.2 | 3.3 |
| TUD100R9V5+RXC037S3 | 1470 | 42000 | 32200 | 3.85 | 13.50 | 10.9 | 38600 | 3.37 | 8.3 | 3.4 |
| TUD100R9V5+RXC054S3 | 1470 | 41500 | 31400 | 3.84 | 13.50 | 10.8 | 38600 | 3.38 | 8.3 | 3.4 |
| TUD100R9V5+TXH041A4 | 1460 | 41500 | 32000 | 3.84 | 13.00 | 10.8 | 38400 | 3.35 | 8.3 | 3.4 |
| TUD100R9V5+TXH041A4+4AYTXVH-3 | 1460 | 41500 | 31600 | 3.84 | 13.50 | 10.8 | 38200 | 3.34 | 8.3 | 3.4 |
| TUD100R9V5+TXH054A4+4AYTXVH-3 | 1470 | 42500 | 33000 | 3.86 | 13.75 | 11.0 | 39200 | 3.40 | 8.4 | 3.4 |
| TUD120R9V5+TXH041A4 | 1400 | 41500 | 31400 | 3.77 | 13.25 | 11.0 | 38000 | 3.27 | 8.4 | 3.4 |
| TUD120R9V5+TXH041A4+4AYTXVH-3 | 1400 | 41500 | 31200 | 3.77 | 13.75 | 11.0 | 37800 | 3.27 | 8.4 | 3.4 |
| TUD120R9V5+TXH054A4+4AYTXVH-3 | 1410 | 42500 | 32400 | 3.79 | 14.00 | 11.2 | 38800 | 3.32 | 8.4 | 3.4 |
| TUD140R9V5+TXH041A4 | 1390 | 41500 | 31400 | 3.77 | 13.25 | 11.0 | 38000 | 3.27 | 8.4 | 3.4 |
| TUD140R9V5+TXH041A4+4AYTXVH-3 | 1390 | 41500 | 31000 | 3.77 | 13.75 | 11.0 | 37800 | 3.27 | 8.4 | 3.4 |
| TUD140R9V5+TXH054A4+4AYTXVH-3 | 1390 | 42500 | 32400 | 3.79 | 14.00 | 11.2 | 38800 | 3.32 | 8.4 | 3.4 |
| TUY080R9V3+RXC036S3 | 1220 | 41000 | 29400 | 3.83 | 13.25 | 10.7 | 37600 | 3.31 | 8.3 | 3.3 |
| TUY080R9V3+TXH041A4 | 1210 | 40500 | 29200 | 3.75 | 13.00 | 10.8 | 37200 | 3.25 | 8.3 | 3.4 |
| TUY080R9V3+TXH041A4+4AYTXVH-3 | 1210 | 40500 | 29000 | 3.79 | 13.50 | 10.7 | 37200 | 3.26 | 8.3 | 3.3 |
| TUY080R9V3+TXH054A4+4AYTXVH-3 | 1220 | 41500 | 30000 | 3.81 | 13.75 | 10.9 | 38200 | 3.32 | 8.4 | 3.4 |
| TUY100R9V4+RXC037S3 | 1220 | 41000 | 29400 | 3.76 | 13.75 | 10.9 | 37400 | 3.24 | 8.4 | 3.4 |
| TUY100R9V4+RXC054S3 | 1230 | 41000 | 29200 | 3.76 | 13.50 | 10.9 | 37400 | 3.26 | 8.3 | 3.4 |
| TUY100R9V4+TXH041A4 | 1220 | 40500 | 29400 | 3.72 | 13.25 | 10.9 | 37200 | 3.23 | 8.3 | 3.4 |
| TUY100R9V4+TXH041A4+4AYTXVH-3 | 1220 | 40500 | 29000 | 3.75 | 13.50 | 10.8 | 37200 | 3.24 | 8.3 | 3.4 |
| TUY100R9V4+TXH054A4+4AYTXVH-3 | 1230 | 41500 | 30200 | 3.74 | 13.75 | 11.1 | 38000 | 3.27 | 8.4 | 3.4 |
| TUY120R9V5+TXH041A4 | 1210 | 40500 | 29200 | 3.68 | 13.25 | 11.0 | 37000 | 3.20 | 8.4 | 3.4 |
| TUY120R9V5+TXH041A4+4AYTXVH-3 | 1210 | 40500 | 29000 | 3.72 | 13.75 | 10.9 | 37000 | 3.21 | 8.3 | 3.4 |
| TUY120R9V5+TXH054A4+4AYTXVH-3 | 1210 | 41500 | 30000 | 3.74 | 14.00 | 11.1 | 37800 | 3.25 | 8.4 | 3.4 |



System Ratings

4TWX4048B1

OUTDOOR UNIT WITH HEAT PUMP COILS

| COIL | CFM | COOLING CAPACITY | SENSIBLE CAPACITY | KW | SEER | EER | HEATING CAPACITY | KW | HSPF | COP |
|--------------------|------|------------------|-------------------|------|-------|------|------------------|------|------|-----|
| RXA060S3 | 1600 | 47500 | 34800 | 4.61 | 12.75 | 10.3 | 44400 | 3.97 | 8.0 | 3.3 |
| RXA061S3 | 1600 | 48500 | 36000 | 4.66 | 13.00 | 10.4 | 45000 | 3.98 | 8.1 | 3.3 |
| RXC054S3 | 1600 | 47500 | 35000 | 4.61 | 12.75 | 10.3 | 44600 | 3.98 | 8.0 | 3.3 |
| RXC060S3 | 1600 | 47500 | 34800 | 4.61 | 12.75 | 10.3 | 44400 | 3.97 | 8.0 | 3.3 |
| RXC061S3 | 1600 | 48500 | 36000 | 4.66 | 13.00 | 10.4 | 45000 | 3.98 | 8.1 | 3.3 |
| RXC065S3 | 1600 | 48500 | 35800 | 4.66 | 13.00 | 10.4 | 45000 | 3.98 | 8.1 | 3.3 |
| RXH063S3 | 1600 | 50000 | 37800 | 4.63 | 13.25 | 10.8 | 46200 | 4.02 | 8.2 | 3.4 |
| TXA042C4+4AYTXVH-3 | 1200 | 44500 | 30000 | 4.41 | 12.50 | 10.1 | 41400 | 3.74 | 7.9 | 3.2 |
| TXA042C4+BAY24X045 | 1200 | 44500 | 30400 | 4.41 | 12.25 | 10.1 | 41000 | 3.70 | 7.9 | 3.3 |
| TXA043C4+4AYTXVH-3 | 1600 | 46500 | 34000 | 4.60 | 12.50 | 10.1 | 43800 | 3.96 | 7.9 | 3.2 |
| TXA043C4+BAY24X045 | 1600 | 46500 | 34400 | 4.60 | 12.25 | 10.1 | 43800 | 3.95 | 7.9 | 3.3 |
| TXA048C4+4AYTXVH-3 | 1350 | 46000 | 32200 | 4.51 | 12.75 | 10.2 | 43000 | 3.85 | 8.0 | 3.3 |
| TXA048C4+BAY24X045 | 1350 | 46000 | 32400 | 4.47 | 12.25 | 10.3 | 42800 | 3.82 | 8.1 | 3.3 |
| TXA049C4+4AYTXVH-3 | 1600 | 47500 | 35000 | 4.66 | 12.75 | 10.2 | 44200 | 3.96 | 7.9 | 3.3 |
| TXA049C4+BAY24X045 | 1600 | 47500 | 35200 | 4.61 | 12.25 | 10.3 | 44400 | 3.97 | 7.9 | 3.3 |
| TXA050C4+4AYTXVH-3 | 1600 | 47500 | 35000 | 4.66 | 12.75 | 10.2 | 44200 | 3.96 | 7.9 | 3.3 |
| TXA050C4+BAY24X045 | 1600 | 47500 | 35200 | 4.61 | 12.25 | 10.3 | 44400 | 3.97 | 7.9 | 3.3 |
| TXC042C4+4AYTXVH-3 | 1200 | 44500 | 30000 | 4.41 | 12.50 | 10.1 | 41400 | 3.74 | 7.9 | 3.2 |
| TXC042C4+BAY24X045 | 1200 | 44500 | 30400 | 4.41 | 12.25 | 10.1 | 41000 | 3.70 | 7.9 | 3.3 |
| TXC043C4+4AYTXVH-3 | 1600 | 46500 | 34000 | 4.60 | 12.50 | 10.1 | 43800 | 3.96 | 7.9 | 3.2 |
| TXC043C4+BAY24X045 | 1600 | 46500 | 34400 | 4.60 | 12.25 | 10.1 | 43800 | 3.95 | 7.9 | 3.3 |
| TXC048C4+4AYTXVH-3 | 1350 | 46000 | 32200 | 4.51 | 12.75 | 10.2 | 43000 | 3.85 | 8.0 | 3.3 |
| TXC048C4+BAY24X045 | 1350 | 46000 | 32400 | 4.47 | 12.25 | 10.3 | 42800 | 3.82 | 8.1 | 3.3 |
| TXC049C4+4AYTXVH-3 | 1600 | 47500 | 35000 | 4.66 | 12.75 | 10.2 | 44200 | 3.96 | 7.9 | 3.3 |
| TXC049C4+BAY24X045 | 1600 | 47500 | 35200 | 4.61 | 12.25 | 10.3 | 44400 | 3.97 | 7.9 | 3.3 |
| TXC050C4+4AYTXVH-3 | 1600 | 47500 | 35000 | 4.66 | 12.75 | 10.2 | 44200 | 3.96 | 7.9 | 3.3 |
| TXC050C4+BAY24X045 | 1600 | 47500 | 35200 | 4.61 | 12.25 | 10.3 | 44400 | 3.97 | 7.9 | 3.3 |
| TXH041A4 | 1600 | 47500 | 35400 | 4.61 | 12.00 | 10.3 | 44600 | 3.98 | 7.9 | 3.3 |
| TXH041A4+4AYTXVH-3 | 1600 | 47500 | 35200 | 4.61 | 12.75 | 10.3 | 44200 | 3.96 | 7.9 | 3.3 |
| TXH041A4+BAY24X045 | 1600 | 47500 | 35400 | 4.61 | 12.25 | 10.3 | 44600 | 3.98 | 7.9 | 3.3 |
| TXH054A4 | 1600 | 49500 | 37600 | 4.71 | 12.50 | 10.5 | 45800 | 4.03 | 8.1 | 3.3 |
| TXH054A4+4AYTXVH-3 | 1600 | 49000 | 37000 | 4.67 | 13.00 | 10.5 | 45400 | 3.99 | 8.1 | 3.3 |
| TXH054A4+BAY24X045 | 1600 | 49500 | 37600 | 4.71 | 12.75 | 10.5 | 45800 | 4.03 | 8.1 | 3.3 |

OUTDOOR UNIT WITH AIR HANDLERS

| COIL | CFM | COOLING CAPACITY | SENSIBLE CAPACITY | KW | SEER | EER | HEATING CAPACITY | KW | HSPF | COP |
|---------------------|------|------------------|-------------------|------|-------|------|------------------|------|------|-----|
| 4TEE3F49A1 | 1465 | 50500 | 34600 | 4.43 | 14.00 | 11.4 | 45000 | 3.74 | 8.4 | 3.5 |
| 4TEP3F42A1 | 1600 | 47500 | 35400 | 4.66 | 12.50 | 10.2 | 44600 | 4.01 | 8.0 | 3.3 |
| 4TEP3F48B1 | 1600 | 48500 | 36000 | 4.62 | 13.00 | 10.5 | 44800 | 3.94 | 8.1 | 3.3 |
| 4TEP3F63B1 | 1600 | 48500 | 36000 | 4.66 | 13.00 | 10.4 | 45000 | 4.00 | 8.1 | 3.3 |
| TWE042C14 | 1580 | 46500 | 34600 | 4.70 | 12.00 | 9.9 | 44000 | 4.02 | 7.9 | 3.2 |
| TWE042C14+4AYTXVH-3 | 1580 | 46500 | 34200 | 4.70 | 12.25 | 9.9 | 43800 | 4.00 | 7.9 | 3.2 |
| TWE048C14 | 1600 | 48000 | 36000 | 4.66 | 12.25 | 10.3 | 44800 | 4.00 | 8.1 | 3.3 |
| TWE048C14+4AYTXVH-3 | 1600 | 47500 | 35400 | 4.66 | 12.75 | 10.2 | 44600 | 4.00 | 8.1 | 3.3 |



System Ratings

4TWX4048B1

OUTDOOR UNIT WITH FURNACE AND HEAT PUMP COILS

| COIL | CFM | COOLING CAPACITY | SENSIBLE CAPACITY | KW | SEER | EER | HEATING CAPACITY | KW | HSPF | COP |
|-------------------------------|------|------------------|-------------------|------|-------|------|------------------|------|------|-----|
| TDD100R9V5+RXC037S3 | 1620 | 48500 | 36200 | 4.58 | 13.25 | 10.6 | 44600 | 3.92 | 8.1 | 3.3 |
| TDD100R9V5+RXC054S3 | 1620 | 48000 | 35400 | 4.57 | 13.00 | 10.5 | 44400 | 3.91 | 8.1 | 3.3 |
| TDD100R9V5+RXH063S3 | 1620 | 50500 | 38500 | 4.55 | 13.75 | 11.1 | 46000 | 3.93 | 8.3 | 3.4 |
| TDD100R9V5+TXH041A4 | 1620 | 48000 | 36000 | 4.53 | 12.75 | 10.6 | 44200 | 3.88 | 8.1 | 3.3 |
| TDD100R9V5+TXH041A4+4AYTXVH-3 | 1620 | 48000 | 35800 | 4.57 | 13.25 | 10.5 | 44000 | 3.87 | 8.1 | 3.3 |
| TDD100R9V5+TXH054A4 | 1620 | 49500 | 37800 | 4.63 | 13.00 | 10.7 | 45800 | 3.98 | 8.2 | 3.4 |
| TDD100R9V5+TXH054A4+4AYTXVH-3 | 1620 | 49000 | 37000 | 4.54 | 13.50 | 10.8 | 45200 | 3.93 | 8.1 | 3.4 |
| TDD120R9V5+RXH063S3 | 1630 | 50500 | 38500 | 4.47 | 14.00 | 11.3 | 45800 | 3.87 | 8.4 | 3.5 |
| TDD120R9V5+TXH041A4 | 1630 | 48500 | 36400 | 4.49 | 13.00 | 10.8 | 44200 | 3.83 | 8.1 | 3.4 |
| TDD120R9V5+TXH041A4+4AYTXVH-3 | 1630 | 48000 | 35800 | 4.44 | 13.50 | 10.8 | 43800 | 3.81 | 8.1 | 3.4 |
| TDD120R9V5+TXH054A4 | 1630 | 50000 | 38000 | 4.59 | 13.25 | 10.9 | 45600 | 3.93 | 8.3 | 3.4 |
| TDD120R9V5+TXH054A4+4AYTXVH-3 | 1630 | 49500 | 37600 | 4.54 | 13.75 | 10.9 | 45200 | 3.90 | 8.3 | 3.4 |
| TDY100R9V4+RXC037S3 | 1450 | 47500 | 34200 | 4.57 | 13.00 | 10.4 | 44000 | 3.91 | 8.0 | 3.3 |
| TDY100R9V4+RXC054S3 | 1450 | 47000 | 33600 | 4.52 | 13.00 | 10.4 | 43800 | 3.89 | 8.0 | 3.3 |
| TDY100R9V4+RXH063S3 | 1450 | 49500 | 36000 | 4.54 | 13.50 | 10.9 | 45400 | 3.92 | 8.2 | 3.4 |
| TDY100R9V4+TXH041A4 | 1450 | 47000 | 34000 | 4.52 | 12.50 | 10.4 | 43600 | 3.87 | 8.0 | 3.3 |
| TDY100R9V4+TXH041A4+4AYTXVH-3 | 1450 | 47000 | 33800 | 4.52 | 13.00 | 10.4 | 43400 | 3.85 | 8.0 | 3.3 |
| TDY100R9V4+TXH054A4 | 1450 | 48500 | 35600 | 4.58 | 12.75 | 10.6 | 45000 | 3.95 | 8.1 | 3.3 |
| TDY100R9V4+TXH054A4+4AYTXVH-3 | 1450 | 48500 | 35400 | 4.58 | 13.25 | 10.6 | 44600 | 3.91 | 8.1 | 3.3 |
| TDY120R9V5+RXH063S3 | 1430 | 49500 | 36000 | 4.46 | 13.75 | 11.1 | 45200 | 3.86 | 8.3 | 3.4 |
| TDY120R9V5+TXH041A4 | 1430 | 47000 | 33800 | 4.43 | 12.75 | 10.6 | 43200 | 3.79 | 8.1 | 3.3 |
| TDY120R9V5+TXH041A4+4AYTXVH-3 | 1430 | 47000 | 33600 | 4.43 | 13.25 | 10.6 | 43200 | 3.80 | 8.1 | 3.3 |
| TDY120R9V5+TXH054A4 | 1430 | 49000 | 35800 | 4.54 | 13.00 | 10.8 | 44600 | 3.87 | 8.1 | 3.4 |
| TDY120R9V5+TXH054A4+4AYTXVH-3 | 1430 | 48500 | 35200 | 4.49 | 13.50 | 10.8 | 44400 | 3.86 | 8.1 | 3.4 |
| TUD100R9V5+RXC037S3 | 1670 | 48500 | 36600 | 4.62 | 13.00 | 10.5 | 45000 | 3.98 | 8.1 | 3.3 |
| TUD100R9V5+RXC054S3 | 1670 | 48000 | 35800 | 4.57 | 13.00 | 10.5 | 44600 | 3.95 | 8.1 | 3.3 |
| TUD100R9V5+RXH063S3 | 1670 | 50500 | 39000 | 4.59 | 13.75 | 11.0 | 46400 | 3.99 | 8.3 | 3.4 |
| TUD100R9V5+TXH041A4 | 1670 | 48000 | 36400 | 4.57 | 12.75 | 10.5 | 44600 | 3.94 | 8.1 | 3.3 |
| TUD100R9V5+TXH041A4+4AYTXVH-3 | 1670 | 48000 | 36000 | 4.57 | 13.00 | 10.5 | 44400 | 3.92 | 8.1 | 3.3 |
| TUD100R9V5+TXH054A4 | 1670 | 50000 | 38500 | 4.72 | 12.75 | 10.6 | 46200 | 4.04 | 8.1 | 3.4 |
| TUD100R9V5+TXH054A4+4AYTXVH-3 | 1670 | 49000 | 37600 | 4.58 | 13.25 | 10.7 | 45600 | 3.99 | 8.1 | 3.4 |
| TUD120R9V5+RXC065S3 | 1630 | 49000 | 36400 | 4.50 | 13.50 | 10.9 | 44800 | 3.87 | 8.2 | 3.4 |
| TUD120R9V5+RXH063S3 | 1630 | 50500 | 38500 | 4.51 | 14.00 | 11.2 | 46000 | 3.91 | 8.4 | 3.5 |
| TUD120R9V5+TXH041A4 | 1630 | 48000 | 36000 | 4.49 | 13.00 | 10.7 | 44200 | 3.85 | 8.1 | 3.4 |
| TUD120R9V5+TXH041A4+4AYTXVH-3 | 1630 | 48000 | 35800 | 4.49 | 13.25 | 10.7 | 44000 | 3.85 | 8.1 | 3.4 |
| TUD120R9V5+TXH054A4 | 1630 | 50000 | 38000 | 4.63 | 13.00 | 10.8 | 45800 | 3.96 | 8.2 | 3.4 |
| TUD120R9V5+TXH054A4+4AYTXVH-3 | 1630 | 49500 | 37600 | 4.54 | 13.50 | 10.9 | 45200 | 3.91 | 8.2 | 3.4 |
| TUD140R9V5+RXC065S3 | 1590 | 49000 | 36200 | 4.50 | 13.50 | 10.9 | 44600 | 3.85 | 8.2 | 3.4 |
| TUD140R9V5+RXH063S3 | 1590 | 50500 | 38000 | 4.51 | 14.00 | 11.2 | 45800 | 3.88 | 8.4 | 3.5 |
| TUD140R9V5+TXH041A4 | 1590 | 48000 | 35800 | 4.49 | 13.00 | 10.7 | 44000 | 3.84 | 8.1 | 3.4 |
| TUD140R9V5+TXH041A4+4AYTXVH-3 | 1590 | 48000 | 35600 | 4.49 | 13.50 | 10.7 | 43800 | 3.82 | 8.1 | 3.4 |
| TUD140R9V5+TXH054A4 | 1590 | 49500 | 37400 | 4.54 | 13.25 | 10.9 | 45400 | 3.92 | 8.3 | 3.4 |
| TUD140R9V5+TXH054A4+4AYTXVH-3 | 1590 | 49000 | 36800 | 4.50 | 13.50 | 10.9 | 45000 | 3.89 | 8.2 | 3.4 |
| TUY100R9V4+RXC037S3 | 1430 | 47500 | 34200 | 4.52 | 13.00 | 10.5 | 43800 | 3.85 | 8.1 | 3.3 |
| TUY100R9V4+RXC054S3 | 1430 | 47000 | 33400 | 4.48 | 13.00 | 10.5 | 43400 | 3.83 | 8.0 | 3.3 |
| TUY100R9V4+RXH063S3 | 1420 | 49500 | 35800 | 4.50 | 13.75 | 11.0 | 45000 | 3.86 | 8.3 | 3.4 |
| TUY100R9V4+TXH041A4 | 1420 | 47000 | 33800 | 4.48 | 12.75 | 10.5 | 43200 | 3.80 | 8.1 | 3.3 |
| TUY100R9V4+TXH041A4+4AYTXVH-3 | 1420 | 47000 | 33600 | 4.48 | 13.00 | 10.5 | 43200 | 3.81 | 8.1 | 3.3 |
| TUY100R9V4+TXH054A4 | 1430 | 48500 | 35400 | 4.53 | 13.00 | 10.7 | 44800 | 3.90 | 8.1 | 3.4 |
| TUY100R9V4+TXH054A4+4AYTXVH-3 | 1430 | 48500 | 35200 | 4.53 | 13.25 | 10.7 | 44400 | 3.87 | 8.1 | 3.4 |



System Ratings

4TWX4048B1

OUTDOOR UNIT WITH FURNACE AND HEAT PUMP COILS

| COIL | CFM | COOLING CAPACITY | SENSIBLE CAPACITY | KW | SEER | EER | HEATING CAPACITY | KW | HSPF | COP |
|-------------------------------|------|------------------|-------------------|------|-------|------|------------------|------|------|-----|
| TUY120R9V5+RXC065S3 | 1420 | 48000 | 34000 | 4.44 | 13.50 | 10.8 | 43800 | 3.80 | 8.1 | 3.4 |
| TUY120R9V5+RXH063S3 | 1420 | 49500 | 35800 | 4.42 | 14.00 | 11.2 | 45000 | 3.83 | 8.3 | 3.4 |
| TUY120R9V5+TXH041A4 | 1420 | 47000 | 33800 | 4.39 | 13.00 | 10.7 | 43000 | 3.76 | 8.2 | 3.4 |
| TUY120R9V5+TXH041A4+4AYTXVH-3 | 1420 | 47000 | 33600 | 4.43 | 13.25 | 10.6 | 43000 | 3.76 | 8.2 | 3.4 |
| TUY120R9V5+TXH054A4 | 1430 | 49000 | 35800 | 4.50 | 13.25 | 10.9 | 44600 | 3.85 | 8.2 | 3.4 |
| TUY120R9V5+TXH054A4+4AYTXVH-3 | 1430 | 48500 | 35200 | 4.45 | 13.50 | 10.9 | 44200 | 3.82 | 8.2 | 3.4 |

4TWX4060B1

OUTDOOR UNIT WITH HEAT PUMP COILS

| COIL | CFM | COOLING CAPACITY | SENSIBLE CAPACITY | KW | SEER | EER | HEATING CAPACITY | KW | HSPF | COP |
|--------------------|------|------------------|-------------------|------|-------|-----|------------------|------|------|-----|
| RXA060S3 | 1700 | 55500 | 39000 | 5.84 | 12.00 | 9.5 | 53800 | 4.97 | 8.1 | 3.2 |
| RXA061S3 | 1800 | 57000 | 41500 | 5.94 | 12.25 | 9.6 | 55000 | 5.05 | 8.1 | 3.2 |
| RXC054S3 | 1700 | 55500 | 39500 | 5.84 | 12.00 | 9.5 | 53600 | 4.97 | 8.1 | 3.2 |
| RXC060S3 | 1700 | 55500 | 39000 | 5.84 | 12.00 | 9.5 | 53800 | 4.97 | 8.1 | 3.2 |
| RXC061S3 | 1800 | 57000 | 41500 | 5.94 | 12.25 | 9.6 | 55000 | 5.05 | 8.1 | 3.2 |
| RXC065S3 | 2000 | 58000 | 43500 | 6.04 | 12.00 | 9.6 | 56200 | 5.16 | 8.2 | 3.2 |
| RXH063S3 | 2000 | 60000 | 46000 | 6.12 | 12.50 | 9.8 | 57800 | 5.23 | 8.3 | 3.2 |
| TXA049C4+4AYTXVH-3 | 1680 | 55000 | 39000 | 5.85 | 12.00 | 9.4 | 53200 | 4.95 | 8.1 | 3.2 |
| TXA050C4+4AYTXVH-3 | 1680 | 55000 | 39000 | 5.85 | 12.00 | 9.4 | 53200 | 4.95 | 8.1 | 3.2 |
| TXC049C4+4AYTXVH-3 | 1680 | 55000 | 39000 | 5.85 | 12.00 | 9.4 | 53200 | 4.95 | 8.1 | 3.2 |
| TXC050C4+4AYTXVH-3 | 1680 | 55000 | 39000 | 5.85 | 12.00 | 9.4 | 53200 | 4.95 | 8.1 | 3.2 |
| TXH054A4+4AYTXVH-3 | 1700 | 57500 | 41500 | 5.93 | 12.25 | 9.7 | 55000 | 5.02 | 8.2 | 3.2 |

OUTDOOR UNIT WITH AIR HANDLERS

| COIL | CFM | COOLING CAPACITY | SENSIBLE CAPACITY | KW | SEER | EER | HEATING CAPACITY | KW | HSPF | COP |
|------------|------|------------------|-------------------|------|-------|------|------------------|------|------|-----|
| 4TEE3F49A1 | 1785 | 58500 | 43000 | 5.97 | 12.25 | 9.8 | 56400 | 5.12 | 8.4 | 3.2 |
| 4TEE3F65A1 | 1780 | 60000 | 41500 | 5.88 | 13.00 | 10.2 | 57000 | 4.69 | 9.0 | 3.6 |
| 4TEP3F48B1 | 1800 | 57000 | 41500 | 5.94 | 12.00 | 9.6 | 55000 | 5.05 | 8.1 | 3.2 |
| 4TEP3F63B1 | 1800 | 57000 | 41500 | 6.00 | 12.00 | 9.5 | 55000 | 5.07 | 8.1 | 3.2 |



Performance Data Cooling

4TWX4018B1

4TWX4018B1 WITH 4TEE3F31A1 AT 600 CFM

| O.D. D.B. | I.D. W.B. | TOT. CAP. | SENS. CAP. AT ENTERING D.B. TEMP. | | | | TOTAL KW |
|--------------|--------------|--------------|-----------------------------------|------|------|------|-------------|
| | | | 72 | 75 | 78 | 80 | |
| 85 | 59 | 18.9 | 14.6 | 16.3 | 18.0 | 18.9 | 1.46 |
| | 63 | 20.0 | 12.2 | 14.0 | 15.7 | 16.8 | 1.50 |
| | 67 | 21.8 | 10.0 | 11.8 | 13.5 | 14.7 | 1.57 |
| | 71 | 23.8 | 7.8 | 9.5 | 11.3 | 12.4 | 1.64 |
| 95 | 59 | 17.0 | 13.9 | 15.6 | 17.0 | 17.0 | 1.55 |
| | 63 | 17.9 | 11.6 | 13.3 | 15.0 | 16.1 | 1.59 |
| | 67 | 19.6 | 9.3 | 11.1 | 12.8 | 14.0 | 1.67 |
| | 71 | 21.4 | 7.0 | 8.7 | 10.5 | 11.7 | 1.74 |
| 105 | 59 | 15.0 | 13.2 | 14.9 | 15.0 | 15.0 | 1.63 |
| | 63 | 15.9 | 10.8 | 12.6 | 14.3 | 15.4 | 1.67 |
| | 67 | 17.3 | 8.5 | 10.3 | 12.1 | 13.2 | 1.75 |
| | 71 | 18.9 | 6.2 | 8.0 | 9.8 | 10.9 | 1.83 |
| 115 | 59 | 13.0 | 12.5 | 13.0 | 13.0 | 13.0 | 1.70 |
| | 63 | 13.8 | 10.1 | 11.8 | 13.6 | 13.8 | 1.74 |
| | 67 | 15.0 | 7.8 | 9.6 | 11.3 | 12.5 | 1.82 |
| | 71 | 16.4 | 5.4 | 7.2 | 9.0 | 10.2 | 1.90 |

CORRECTION FACTORS FOR OTHER AIRFLOWS (MULTIPLY DATA BY FACTOR)

| AIRFLOW | TOTAL CAPACITY | SENSIBLE CAPACITY |
|---------|----------------|-------------------|
| LOW | 0.97 | 0.93 |
| HIGH | 1.02 | 1.07 |

NOTE: ALL TABLES ABOVE ARE AT ARI RATING CONDITIONS RATED WITH 25 FEET OF REFRIGERANT LINES.
 * DRY COIL CONDITION (TOTAL CAPACITY = SENSIBLE CAPACITY)
 TOTAL CAPACITY, COMP. KW AND APP. DEW PT. ARE VALID ONLY FOR WET COIL. ALL TEMPERATURES IN DEGREES F.

CORRECTION FACTORS FOR OTHER COMBINATIONS (MULTIPLY DATA BY FACTOR)

| INDOOR MODEL | CFM | MBTUH TOT | MBTUH SEN | SYST KW |
|-------------------------------|-------|--------------|--------------|------------|
| 4TEP3F18A1 | RATED | 600 | 0.96 | 0.94 |
| | LOW | 525 | 0.94 | 0.87 |
| | HIGH | 675 | 0.98 | 1.00 |
| 4TEP3F24A1 | RATED | 600 | 0.96 | 0.93 |
| | LOW | 525 | 0.94 | 0.87 |
| | HIGH | 675 | 0.98 | 1.00 |
| 4TEP3F30A1 | RATED | 600 | 0.97 | 0.92 |
| | LOW | 525 | 0.94 | 0.86 |
| | HIGH | 675 | 0.98 | 0.98 |
| RXC024S3 | RATED | 600 | 0.90 | 0.86 |
| | LOW | 525 | 0.88 | 0.80 |
| | HIGH | 675 | 0.92 | 0.92 |
| RXC025S3 | RATED | 600 | 0.90 | 0.86 |
| | LOW | 525 | 0.88 | 0.80 |
| | HIGH | 675 | 0.92 | 0.92 |
| RXC031S3 | RATED | 600 | 0.96 | 0.93 |
| | LOW | 525 | 0.94 | 0.87 |
| | HIGH | 675 | 0.98 | 1.00 |
| TDD060R9V3+RXC025S3 | RATED | 600 | 0.93 | 0.93 |
| | LOW | 525 | 0.90 | 0.86 |
| | HIGH | 675 | 0.95 | 1.00 |
| TDD060R9V3+RXC031S3 | RATED | 600 | 0.99 | 1.01 |
| | LOW | 525 | 0.96 | 0.93 |
| | HIGH | 675 | 1.02 | 1.08 |
| TDD060R9V3+TXH025A4 | RATED | 600 | 0.95 | 0.93 |
| | LOW | 525 | 0.92 | 0.86 |
| | HIGH | 675 | 0.97 | 1.00 |
| TDD060R9V3+TXH025A4+4AYTXVH-3 | RATED | 600 | 0.93 | 0.94 |
| | LOW | 525 | 0.91 | 0.87 |
| | HIGH | 675 | 0.95 | 1.01 |
| TDY060R9V3+RXC025S3 | RATED | 600 | 0.93 | 0.93 |
| | LOW | 525 | 0.90 | 0.86 |
| | HIGH | 675 | 0.95 | 1.00 |

CORRECTION FACTORS FOR OTHER COMBINATIONS (MULTIPLY DATA BY FACTOR)

| INDOOR MODEL | CFM | MBTUH TOT | MBTUH SEN | SYST KW |
|-------------------------------|-------|--------------|--------------|------------|
| TDY060R9V3+RXC031S3 | RATED | 600 | 0.99 | 1.01 |
| | LOW | 525 | 0.96 | 0.93 |
| | HIGH | 675 | 1.01 | 1.08 |
| TDY060R9V3+TXH025A4 | RATED | 600 | 0.94 | 0.93 |
| | LOW | 525 | 0.92 | 0.86 |
| | HIGH | 675 | 0.96 | 1.00 |
| TDY060R9V3+TXH025A4+4AYTXVH-3 | RATED | 600 | 0.94 | 0.94 |
| | LOW | 525 | 0.91 | 0.87 |
| | HIGH | 675 | 0.96 | 1.01 |
| TUD060R9V3+RXC025S3 | RATED | 600 | 0.93 | 0.93 |
| | LOW | 525 | 0.90 | 0.86 |
| | HIGH | 675 | 0.95 | 0.99 |
| TUD060R9V3+RXC031S3 | RATED | 600 | 0.99 | 1.00 |
| | LOW | 525 | 0.96 | 0.93 |
| | HIGH | 675 | 1.01 | 1.07 |
| TUD060R9V3+TXH025A4 | RATED | 600 | 0.94 | 0.92 |
| | LOW | 525 | 0.92 | 0.85 |
| | HIGH | 675 | 0.96 | 0.99 |
| TUD060R9V3+TXH025A4+4AYTXVH-3 | RATED | 600 | 0.93 | 0.93 |
| | LOW | 525 | 0.90 | 0.86 |
| | HIGH | 675 | 0.95 | 1.00 |
| TUY060R9V3+RXC025S3 | RATED | 600 | 0.93 | 0.93 |
| | LOW | 525 | 0.90 | 0.86 |
| | HIGH | 675 | 0.95 | 0.99 |
| TUY060R9V3+RXC031S3 | RATED | 600 | 0.99 | 1.00 |
| | LOW | 525 | 0.96 | 0.93 |
| | HIGH | 675 | 1.01 | 1.07 |
| TUY060R9V3+TXH025A4 | RATED | 600 | 0.94 | 0.92 |
| | LOW | 525 | 0.92 | 0.85 |
| | HIGH | 675 | 0.96 | 0.99 |
| TUY060R9V3+TXH025A4+4AYTXVH-3 | RATED | 600 | 0.93 | 0.93 |
| | LOW | 525 | 0.90 | 0.86 |
| | HIGH | 675 | 0.95 | 1.00 |
| TWE018C14+4AYTXVH-3 | RATED | 600 | 0.90 | 0.86 |
| | LOW | 525 | 0.88 | 0.80 |
| | HIGH | 675 | 0.92 | 0.92 |
| TWE030C14+4AYTXVH-3 | RATED | 600 | 0.92 | 0.88 |
| | LOW | 525 | 0.90 | 0.82 |
| | HIGH | 675 | 0.94 | 0.94 |
| TXA024C4+4AYTXVH-3 | RATED | 600 | 0.90 | 0.86 |
| | LOW | 525 | 0.88 | 0.80 |
| | HIGH | 675 | 0.92 | 0.92 |
| TXA025C4+4AYTXVH-3 | RATED | 600 | 0.93 | 0.89 |
| | LOW | 525 | 0.91 | 0.83 |
| | HIGH | 675 | 0.95 | 0.95 |
| TXA030C4+4AYTXVH-3 | RATED | 600 | 0.93 | 0.90 |
| | LOW | 525 | 0.91 | 0.83 |
| | HIGH | 675 | 0.95 | 0.96 |
| TXA031C4+4AYTXVH-3 | RATED | 600 | 0.95 | 0.92 |
| | LOW | 525 | 0.93 | 0.85 |
| | HIGH | 675 | 0.98 | 0.98 |
| TXC024C4+4AYTXVH-3 | RATED | 600 | 0.90 | 0.86 |
| | LOW | 525 | 0.88 | 0.80 |
| | HIGH | 675 | 0.92 | 0.92 |
| TXC024D4+4AYTXVH-3 | RATED | 600 | 0.90 | 0.86 |
| | LOW | 525 | 0.88 | 0.80 |
| | HIGH | 675 | 0.92 | 0.92 |
| TXC025C4+4AYTXVH-3 | RATED | 600 | 0.93 | 0.89 |
| | LOW | 525 | 0.91 | 0.83 |
| | HIGH | 675 | 0.95 | 0.95 |
| TXC025D4+4AYTXVH-3 | RATED | 600 | 0.93 | 0.89 |
| | LOW | 525 | 0.91 | 0.83 |
| | HIGH | 675 | 0.95 | 0.95 |



Performance Data Cooling

4TWX4018B1

CORRECTION FACTORS FOR OTHER COMBINATIONS (MULTIPLY DATA BY FACTOR)

| INDOOR MODEL | | CFM | MBTUH TOT | MBTUH SEN | SYST KW |
|--------------------|-------|-----|--------------|--------------|------------|
| TXC030C4+4AYTXVH-3 | RATED | 600 | 0.93 | 0.90 | 1.07 |
| | LOW | 525 | 0.91 | 0.83 | 1.03 |
| | HIGH | 675 | 0.95 | 0.96 | 1.10 |
| TXC030D4+4AYTXVH-3 | RATED | 600 | 0.93 | 0.90 | 1.07 |
| | LOW | 525 | 0.91 | 0.83 | 1.03 |
| | HIGH | 675 | 0.95 | 0.96 | 1.10 |
| TXC031C4+4AYTXVH-3 | RATED | 600 | 0.95 | 0.92 | 1.09 |
| | LOW | 525 | 0.93 | 0.85 | 1.06 |
| | HIGH | 675 | 0.98 | 0.98 | 1.12 |

CORRECTION FACTORS FOR OTHER COMBINATIONS (MULTIPLY DATA BY FACTOR)

| INDOOR MODEL | | CFM | MBTUH TOT | MBTUH SEN | SYST KW |
|--------------------|-------|-----|--------------|--------------|------------|
| TXC031D4+4AYTXVH-3 | RATED | 600 | 0.95 | 0.92 | 1.09 |
| | LOW | 525 | 0.93 | 0.85 | 1.06 |
| | HIGH | 675 | 0.98 | 0.98 | 1.12 |
| TXH025A4+4AYTXVH-3 | RATED | 600 | 0.91 | 0.87 | 1.06 |
| | LOW | 525 | 0.89 | 0.81 | 1.03 |
| | HIGH | 675 | 0.93 | 0.93 | 1.09 |
| TXH033A4+4AYTXVH-3 | RATED | 600 | 0.96 | 0.92 | 1.09 |
| | LOW | 525 | 0.94 | 0.86 | 1.06 |
| | HIGH | 675 | 0.98 | 0.98 | 1.12 |

4TWX4024B1

4TWX4024B1 WITH 4TEE3F31A1 AT 800 CFM

| O.D. D.B. | I.D. W.B. | TOT. CAP. | SENS. CAP. AT ENTERING D.B. TEMP. | | | TOTAL KW | |
|--------------|--------------|--------------|-----------------------------------|------|------|-------------|------|
| | | | 72 | 75 | 78 | 80 | |
| 85 | 59 | 22.9 | 18.1 | 20.2 | 22.3 | 22.9 | 1.86 |
| | 63 | 23.8 | 14.9 | 17.2 | 19.4 | 20.8 | 1.88 |
| | 67 | 25.8 | 12.0 | 14.3 | 16.5 | 18.0 | 1.91 |
| | 71 | 28.1 | 9.1 | 11.3 | 13.6 | 15.1 | 1.94 |
| 95 | 59 | 21.5 | 17.6 | 19.7 | 21.5 | 21.5 | 2.06 |
| | 63 | 22.3 | 14.4 | 16.7 | 18.9 | 20.3 | 2.07 |
| | 67 | 24.2 | 11.4 | 13.8 | 16.0 | 17.5 | 2.11 |
| | 71 | 26.3 | 8.5 | 10.7 | 13.0 | 14.6 | 2.14 |
| 105 | 59 | 19.9 | 17.1 | 19.2 | 19.9 | 19.9 | 2.22 |
| | 63 | 20.7 | 13.9 | 16.2 | 18.3 | 19.8 | 2.23 |
| | 67 | 22.4 | 10.9 | 13.2 | 15.5 | 17.0 | 2.27 |
| | 71 | 24.4 | 7.8 | 10.1 | 12.5 | 14.0 | 2.30 |
| 115 | 59 | 18.3 | 16.5 | 18.3 | 18.3 | 18.3 | 2.35 |
| | 63 | 19.0 | 13.4 | 15.6 | 17.8 | 19.0 | 2.37 |
| | 67 | 20.6 | 10.3 | 12.6 | 14.9 | 16.4 | 2.41 |
| | 71 | 22.5 | 7.2 | 9.5 | 11.9 | 13.4 | 2.44 |

CORRECTION FACTORS FOR OTHER AIRFLOWS (MULTIPLY DATA BY FACTOR)

| | AIRFLOW | TOTAL CAPACITY | SENSIBLE CAPACITY |
|------|---------|----------------|-------------------|
| LOW | 700 | 0.98 | 0.93 |
| HIGH | 900 | 1.02 | 1.07 |

NOTE: ALL TABLES ABOVE ARE AT ARI RATING CONDITIONS RATED WITH 25 FEET OF REFRIGERANT LINES.
* DRY COIL CONDITION (TOTAL CAPACITY = SENSIBLE CAPACITY)
TOTAL CAPACITY, COMP. KW AND APP. DEW PT. ARE VALID ONLY FOR WET COIL. ALL TEMPERATURES IN DEGREES F.

CORRECTION FACTORS FOR OTHER COMBINATIONS (MULTIPLY DATA BY FACTOR)

| INDOOR MODEL | | CFM | MBTUH TOT | MBTUH SEN | SYST KW |
|--------------|-------|-----|--------------|--------------|------------|
| 4TEE3F37A1 | RATED | 800 | 1.00 | 1.02 | 0.98 |
| | LOW | 700 | 0.97 | 0.95 | 0.96 |
| | HIGH | 900 | 1.01 | 1.10 | 0.99 |
| 4TEE3F40A1 | RATED | 800 | 1.05 | 1.09 | 0.98 |
| | LOW | 700 | 1.02 | 1.01 | 0.97 |
| | HIGH | 900 | 1.07 | 1.16 | 0.99 |
| 4TEP3F18A1 | RATED | 800 | 0.97 | 0.95 | 1.05 |
| | LOW | 700 | 0.95 | 0.88 | 1.03 |
| | HIGH | 900 | 0.99 | 1.01 | 1.07 |
| 4TEP3F24A1 | RATED | 800 | 0.97 | 0.96 | 1.02 |
| | LOW | 700 | 0.95 | 0.89 | 1.00 |
| | HIGH | 900 | 0.99 | 1.02 | 1.04 |
| 4TEP3F30A1 | RATED | 800 | 0.97 | 0.94 | 1.05 |
| | LOW | 700 | 0.95 | 0.88 | 1.03 |
| | HIGH | 900 | 0.99 | 1.00 | 1.07 |

CORRECTION FACTORS FOR OTHER COMBINATIONS (MULTIPLY DATA BY FACTOR)

| INDOOR MODEL | | CFM | MBTUH TOT | MBTUH SEN | SYST KW |
|-------------------------------|-------|-----|--------------|--------------|------------|
| 4TEP3F36A1 | RATED | 800 | 0.96 | 0.95 | 1.06 |
| | LOW | 700 | 0.94 | 0.88 | 1.04 |
| | HIGH | 900 | 0.98 | 1.01 | 1.08 |
| RXC031S3 | RATED | 800 | 0.97 | 0.95 | 1.06 |
| | LOW | 700 | 0.95 | 0.89 | 1.04 |
| | HIGH | 900 | 0.99 | 1.02 | 1.08 |
| RXC036S3 | RATED | 800 | 1.00 | 0.99 | 1.07 |
| | LOW | 700 | 0.97 | 0.92 | 1.04 |
| | HIGH | 900 | 1.01 | 1.05 | 1.09 |
| RXC037S3 | RATED | 800 | 1.00 | 0.99 | 1.07 |
| | LOW | 700 | 0.97 | 0.92 | 1.04 |
| | HIGH | 900 | 1.01 | 1.05 | 1.09 |
| TDD060R9V3+RXC031S3 | RATED | 800 | 1.00 | 1.03 | 0.97 |
| | LOW | 700 | 0.97 | 0.96 | 0.96 |
| | HIGH | 900 | 1.02 | 1.10 | 0.98 |
| TDD060R9V3+RXC036S3 | RATED | 800 | 1.02 | 1.06 | 0.97 |
| | LOW | 700 | 1.00 | 0.99 | 0.96 |
| | HIGH | 900 | 1.04 | 1.14 | 0.98 |
| TDD060R9V3+TXH033A4 | RATED | 800 | 1.00 | 1.00 | 0.97 |
| | LOW | 700 | 0.97 | 0.93 | 0.95 |
| | HIGH | 900 | 1.02 | 1.07 | 0.98 |
| TDD060R9V3+TXH033A4+4AYTXVH-3 | RATED | 800 | 1.00 | 1.02 | 0.97 |
| | LOW | 700 | 0.97 | 0.94 | 0.96 |
| | HIGH | 900 | 1.02 | 1.09 | 0.98 |
| TDD080R9V3+RXC031S3 | RATED | 800 | 1.00 | 1.03 | 0.96 |
| | LOW | 700 | 0.97 | 0.96 | 0.95 |
| | HIGH | 900 | 1.02 | 1.11 | 0.97 |
| TDD080R9V3+RXC036S3 | RATED | 800 | 1.02 | 1.07 | 0.97 |
| | LOW | 700 | 1.00 | 0.99 | 0.96 |
| | HIGH | 900 | 1.04 | 1.14 | 0.98 |
| TDD080R9V3+TXH033A4 | RATED | 800 | 1.00 | 1.00 | 0.97 |
| | LOW | 700 | 0.97 | 0.93 | 0.95 |
| | HIGH | 900 | 1.02 | 1.07 | 0.98 |
| TDD080R9V3+TXH033A4+4AYTXVH-3 | RATED | 800 | 1.00 | 1.02 | 0.97 |
| | LOW | 700 | 0.97 | 0.94 | 0.96 |
| | HIGH | 900 | 1.02 | 1.09 | 0.98 |
| TDY060R9V3+RXC031S3 | RATED | 800 | 1.00 | 1.03 | 0.97 |
| | LOW | 700 | 0.98 | 0.96 | 0.96 |
| | HIGH | 900 | 1.02 | 1.11 | 0.98 |
| TDY060R9V3+RXC036S3 | RATED | 800 | 1.02 | 1.07 | 0.97 |
| | LOW | 700 | 1.00 | 0.99 | 0.96 |
| | HIGH | 900 | 1.04 | 1.14 | 0.98 |
| TDY060R9V3+TXH033A4 | RATED | 800 | 1.00 | 1.00 | 0.98 |
| | LOW | 700 | 0.98 | 0.93 | 0.96 |
| | HIGH | 900 | 1.02 | 1.07 | 0.98 |



Performance Data Cooling

4TWX4024B1

CORRECTION FACTORS FOR OTHER COMBINATIONS (MULTIPLY DATA BY FACTOR)

| INDOOR MODEL | | CFM | MBTUH TOT | MBTUH SEN | SYST KW |
|-------------------------------|-------|-----|--------------|--------------|------------|
| TDY060R9V3+TXH033A4+4AYTXVH-3 | RATED | 800 | 1.00 | 1.02 | 0.96 |
| | LOW | 700 | 0.97 | 0.94 | 0.95 |
| | HIGH | 900 | 1.01 | 1.09 | 0.97 |
| TDY080R9V3+RXC031S3 | RATED | 800 | 1.00 | 1.03 | 0.98 |
| | LOW | 700 | 0.98 | 0.95 | 0.97 |
| | HIGH | 900 | 1.02 | 1.10 | 0.99 |
| TDY080R9V3+RXC036S3 | RATED | 800 | 1.02 | 1.06 | 0.98 |
| | LOW | 700 | 0.99 | 0.98 | 0.97 |
| | HIGH | 900 | 1.04 | 1.13 | 0.99 |
| TDY080R9V3+TXH033A4 | RATED | 800 | 1.00 | 0.99 | 0.98 |
| | LOW | 700 | 0.98 | 0.92 | 0.97 |
| | HIGH | 900 | 1.02 | 1.06 | 1.00 |
| TDY080R9V3+TXH033A4+4AYTXVH-3 | RATED | 800 | 0.99 | 1.01 | 0.97 |
| | LOW | 700 | 0.97 | 0.94 | 0.96 |
| | HIGH | 900 | 1.01 | 1.08 | 0.98 |
| TUD060R9V3+RXC031S3 | RATED | 800 | 1.00 | 1.03 | 0.98 |
| | LOW | 700 | 0.98 | 0.95 | 0.97 |
| | HIGH | 900 | 1.02 | 1.10 | 0.99 |
| TUD060R9V3+RXC036S3 | RATED | 800 | 1.02 | 1.06 | 0.98 |
| | LOW | 700 | 0.99 | 0.98 | 0.97 |
| | HIGH | 900 | 1.04 | 1.13 | 0.99 |
| TUD060R9V3+TXH033A4 | RATED | 800 | 1.00 | 0.99 | 0.99 |
| | LOW | 700 | 0.98 | 0.92 | 0.97 |
| | HIGH | 900 | 1.02 | 1.06 | 1.00 |
| TUD060R9V3+TXH033A4+4AYTXVH-3 | RATED | 800 | 0.99 | 1.01 | 0.97 |
| | LOW | 700 | 0.97 | 0.93 | 0.96 |
| | HIGH | 900 | 1.01 | 1.08 | 0.98 |
| TUD080R9V3+RXC031S3 | RATED | 800 | 1.00 | 1.03 | 0.97 |
| | LOW | 700 | 0.98 | 0.96 | 0.96 |
| | HIGH | 900 | 1.02 | 1.10 | 0.98 |
| TUD080R9V3+RXC036S3 | RATED | 800 | 1.03 | 1.06 | 0.98 |
| | LOW | 700 | 1.00 | 0.98 | 0.97 |
| | HIGH | 900 | 1.04 | 1.14 | 0.99 |
| TUD080R9V3+TXH033A4 | RATED | 800 | 1.00 | 1.00 | 0.98 |
| | LOW | 700 | 0.98 | 0.93 | 0.96 |
| | HIGH | 900 | 1.02 | 1.07 | 1.00 |
| TUD080R9V3+TXH033A4+4AYTXVH-3 | RATED | 800 | 0.99 | 1.01 | 0.96 |
| | LOW | 700 | 0.97 | 0.94 | 0.95 |
| | HIGH | 900 | 1.01 | 1.08 | 0.98 |
| TUY060R9V3+RXC031S3 | RATED | 800 | 1.00 | 1.03 | 0.98 |
| | LOW | 700 | 0.98 | 0.95 | 0.97 |
| | HIGH | 900 | 1.02 | 1.10 | 0.99 |
| TUY060R9V3+RXC036S3 | RATED | 800 | 1.02 | 1.06 | 0.98 |
| | LOW | 700 | 0.99 | 0.98 | 0.97 |
| | HIGH | 900 | 1.04 | 1.13 | 0.99 |
| TUY060R9V3+TXH033A4 | RATED | 800 | 1.00 | 0.99 | 0.98 |
| | LOW | 700 | 0.98 | 0.92 | 0.97 |
| | HIGH | 900 | 1.02 | 1.06 | 1.00 |
| TUY060R9V3+TXH033A4+4AYTXVH-3 | RATED | 800 | 0.99 | 1.01 | 0.97 |
| | LOW | 700 | 0.97 | 0.93 | 0.96 |
| | HIGH | 900 | 1.01 | 1.08 | 0.98 |
| TUY080R9V3+RXC031S3 | RATED | 800 | 1.00 | 1.03 | 0.97 |
| | LOW | 700 | 0.97 | 0.96 | 0.96 |
| | HIGH | 900 | 1.02 | 1.10 | 0.98 |
| TUY080R9V3+RXC036S3 | RATED | 800 | 1.03 | 1.07 | 0.98 |
| | LOW | 700 | 1.00 | 0.99 | 0.96 |
| | HIGH | 900 | 1.04 | 1.14 | 0.99 |
| TUY080R9V3+TXH033A4 | RATED | 800 | 1.00 | 1.00 | 0.97 |
| | LOW | 700 | 0.97 | 0.93 | 0.96 |
| | HIGH | 900 | 1.02 | 1.07 | 0.99 |
| TUY080R9V3+TXH033A4+4AYTXVH-3 | RATED | 800 | 1.00 | 1.02 | 0.97 |
| | LOW | 700 | 0.97 | 0.94 | 0.96 |
| | HIGH | 900 | 1.02 | 1.09 | 0.98 |

CORRECTION FACTORS FOR OTHER COMBINATIONS (MULTIPLY DATA BY FACTOR)

| INDOOR MODEL | | CFM | MBTUH TOT | MBTUH SEN | SYST KW |
|---------------------|-------|-----|--------------|--------------|------------|
| TWE030C14 | RATED | 800 | 0.95 | 0.90 | 1.05 |
| | LOW | 700 | 0.93 | 0.84 | 1.03 |
| | HIGH | 900 | 0.96 | 0.95 | 1.08 |
| TWE030C14+4AYTXVH-3 | RATED | 800 | 0.94 | 0.91 | 1.05 |
| | LOW | 700 | 0.92 | 0.85 | 1.03 |
| | HIGH | 900 | 0.95 | 0.97 | 1.08 |
| TWE036C14 | RATED | 800 | 0.96 | 0.92 | 1.06 |
| | LOW | 700 | 0.94 | 0.85 | 1.04 |
| | HIGH | 900 | 0.98 | 0.98 | 1.09 |
| TWE036C14+4AYTXVH-3 | RATED | 800 | 0.95 | 0.93 | 1.04 |
| | LOW | 700 | 0.93 | 0.86 | 1.02 |
| | HIGH | 900 | 0.96 | 0.99 | 1.06 |
| TXA025C4+4AYTXVH-3 | RATED | 800 | 0.93 | 0.90 | 1.05 |
| | LOW | 700 | 0.91 | 0.84 | 1.02 |
| | HIGH | 900 | 0.94 | 0.96 | 1.07 |
| TXA025C4+BAY24X045 | RATED | 800 | 0.94 | 0.89 | 1.05 |
| | LOW | 700 | 0.92 | 0.83 | 1.03 |
| | HIGH | 900 | 0.95 | 0.95 | 1.08 |
| TXA030C4 | RATED | 800 | 0.95 | 0.91 | 1.06 |
| | LOW | 700 | 0.93 | 0.85 | 1.04 |
| | HIGH | 900 | 0.97 | 0.97 | 1.09 |
| TXA030C4+4AYTXVH-3 | RATED | 800 | 0.93 | 0.91 | 1.03 |
| | LOW | 700 | 0.93 | 0.86 | 1.03 |
| | HIGH | 900 | 0.96 | 0.99 | 1.08 |
| TXA030C4+BAY24X045 | RATED | 800 | 0.95 | 0.91 | 1.06 |
| | LOW | 700 | 0.93 | 0.85 | 1.04 |
| | HIGH | 900 | 0.97 | 0.97 | 1.09 |
| TXA031C4 | RATED | 800 | 0.96 | 0.92 | 1.06 |
| | LOW | 700 | 0.94 | 0.86 | 1.03 |
| | HIGH | 900 | 0.98 | 0.98 | 1.09 |
| TXA031C4+4AYTXVH-3 | RATED | 800 | 0.95 | 0.93 | 1.05 |
| | LOW | 700 | 0.93 | 0.87 | 1.03 |
| | HIGH | 900 | 0.97 | 0.99 | 1.07 |
| TXA031C4+BAY24X045 | RATED | 800 | 0.96 | 0.92 | 1.06 |
| | LOW | 700 | 0.94 | 0.86 | 1.03 |
| | HIGH | 900 | 0.98 | 0.98 | 1.09 |
| TXA035C4+4AYTXVH-3 | RATED | 800 | 0.95 | 0.92 | 1.05 |
| | LOW | 700 | 0.93 | 0.86 | 1.03 |
| | HIGH | 900 | 0.96 | 0.99 | 1.08 |
| TXA036C4+4AYTXVH-3 | RATED | 800 | 0.96 | 0.95 | 1.06 |
| | LOW | 700 | 0.94 | 0.88 | 1.04 |
| | HIGH | 900 | 0.98 | 1.01 | 1.08 |
| TXA037C4+4AYTXVH-3 | RATED | 800 | 0.96 | 0.95 | 1.06 |
| | LOW | 700 | 0.94 | 0.88 | 1.04 |
| | HIGH | 900 | 0.98 | 1.01 | 1.08 |
| TXC025C4+4AYTXVH-3 | RATED | 800 | 0.93 | 0.90 | 1.05 |
| | LOW | 700 | 0.91 | 0.84 | 1.02 |
| | HIGH | 900 | 0.94 | 0.96 | 1.07 |
| TXC025C4+BAY24X045 | RATED | 800 | 0.94 | 0.89 | 1.05 |
| | LOW | 700 | 0.92 | 0.83 | 1.03 |
| | HIGH | 900 | 0.95 | 0.95 | 1.08 |
| TXC025D4+4AYTXVH-3 | RATED | 800 | 0.93 | 0.90 | 1.05 |
| | LOW | 700 | 0.91 | 0.84 | 1.02 |
| | HIGH | 900 | 0.94 | 0.96 | 1.07 |
| TXC025D4+BAY24X045 | RATED | 800 | 0.94 | 0.89 | 1.05 |
| | LOW | 700 | 0.92 | 0.83 | 1.03 |
| | HIGH | 900 | 0.95 | 0.95 | 1.08 |
| TXC030C4 | RATED | 800 | 0.95 | 0.91 | 1.06 |
| | LOW | 700 | 0.93 | 0.85 | 1.04 |
| | HIGH | 900 | 0.97 | 0.97 | 1.09 |
| TXC030C4+4AYTXVH-3 | RATED | 800 | 0.95 | 0.92 | 1.05 |
| | LOW | 700 | 0.93 | 0.86 | 1.03 |
| | HIGH | 900 | 0.96 | 0.99 | 1.08 |



Performance Data Cooling

4TWX4024B1

CORRECTION FACTORS FOR OTHER COMBINATIONS (MULTIPLY DATA BY FACTOR)

| INDOOR MODEL | | CFM | MBTUH TOT | MBTUH SEN | SYST KW |
|--------------------|-------|-----|--------------|--------------|------------|
| TXC030C4+BAY24X045 | RATED | 800 | 0.95 | 0.91 | 1.06 |
| | LOW | 700 | 0.93 | 0.85 | 1.04 |
| | HIGH | 900 | 0.97 | 0.97 | 1.09 |
| TXC030D4 | RATED | 800 | 0.95 | 0.91 | 1.06 |
| | LOW | 700 | 0.93 | 0.85 | 1.04 |
| | HIGH | 900 | 0.97 | 0.97 | 1.09 |
| TXC030D4+4AYTXVH-3 | RATED | 800 | 0.95 | 0.92 | 1.05 |
| | LOW | 700 | 0.93 | 0.86 | 1.03 |
| | HIGH | 900 | 0.96 | 0.99 | 1.08 |
| TXC030D4+BAY24X045 | RATED | 800 | 0.95 | 0.91 | 1.06 |
| | LOW | 700 | 0.93 | 0.85 | 1.04 |
| | HIGH | 900 | 0.97 | 0.97 | 1.09 |
| TXC031C4 | RATED | 800 | 0.96 | 0.92 | 1.06 |
| | LOW | 700 | 0.94 | 0.86 | 1.03 |
| | HIGH | 900 | 0.98 | 0.98 | 1.09 |
| TXC031C4+4AYTXVH-3 | RATED | 800 | 0.95 | 0.93 | 1.05 |
| | LOW | 700 | 0.93 | 0.87 | 1.03 |
| | HIGH | 900 | 0.97 | 0.99 | 1.07 |
| TXC031C4+BAY24X045 | RATED | 800 | 0.96 | 0.92 | 1.06 |
| | LOW | 700 | 0.94 | 0.86 | 1.03 |
| | HIGH | 900 | 0.98 | 0.98 | 1.09 |
| TXC031D4 | RATED | 800 | 0.96 | 0.92 | 1.06 |
| | LOW | 700 | 0.94 | 0.86 | 1.03 |
| | HIGH | 900 | 0.98 | 0.98 | 1.09 |
| TXC031D4+4AYTXVH-3 | RATED | 800 | 0.95 | 0.93 | 1.05 |
| | LOW | 700 | 0.93 | 0.87 | 1.03 |
| | HIGH | 900 | 0.97 | 0.99 | 1.07 |

CORRECTION FACTORS FOR OTHER COMBINATIONS (MULTIPLY DATA BY FACTOR)

| INDOOR MODEL | | CFM | MBTUH TOT | MBTUH SEN | SYST KW |
|--------------------|-------|-----|--------------|--------------|------------|
| TXC031D4+BAY24X045 | RATED | 800 | 0.96 | 0.92 | 1.06 |
| | LOW | 700 | 0.94 | 0.86 | 1.03 |
| | HIGH | 900 | 0.98 | 0.98 | 1.09 |
| TXC035C4+4AYTXVH-3 | RATED | 800 | 0.95 | 0.92 | 1.05 |
| | LOW | 700 | 0.93 | 0.86 | 1.03 |
| | HIGH | 900 | 0.96 | 0.99 | 1.08 |
| TXC035D4+4AYTXVH-3 | RATED | 800 | 0.95 | 0.92 | 1.05 |
| | LOW | 700 | 0.93 | 0.86 | 1.03 |
| | HIGH | 900 | 0.96 | 0.99 | 1.08 |
| TXC036C4+4AYTXVH-3 | RATED | 800 | 0.96 | 0.95 | 1.06 |
| | LOW | 700 | 0.94 | 0.88 | 1.04 |
| | HIGH | 900 | 0.98 | 1.01 | 1.08 |
| TXC036D4+4AYTXVH-3 | RATED | 800 | 0.96 | 0.95 | 1.06 |
| | LOW | 700 | 0.94 | 0.88 | 1.04 |
| | HIGH | 900 | 0.98 | 1.01 | 1.08 |
| TXC037C4+4AYTXVH-3 | RATED | 800 | 0.96 | 0.95 | 1.06 |
| | LOW | 700 | 0.94 | 0.88 | 1.04 |
| | HIGH | 900 | 0.98 | 1.01 | 1.08 |
| TXH033A4 | RATED | 800 | 0.97 | 0.92 | 1.06 |
| | LOW | 700 | 0.95 | 0.86 | 1.03 |
| | HIGH | 900 | 0.99 | 0.98 | 1.09 |
| TXH033A4+4AYTXVH-3 | RATED | 800 | 0.97 | 0.94 | 1.06 |
| | LOW | 700 | 0.95 | 0.88 | 1.04 |
| | HIGH | 900 | 0.99 | 1.00 | 1.08 |
| TXH033A4+BAY24X045 | RATED | 800 | 0.97 | 0.92 | 1.06 |
| | LOW | 700 | 0.95 | 0.86 | 1.03 |
| | HIGH | 900 | 0.99 | 0.98 | 1.09 |

4TWX4030B1

4TWX4030B1 WITH 4TEE3F31A1 AT 1000 CFM

| O.D. D.B. | I.D. W.B. | TOT. CAP. | SENS. CAP. AT ENTERING D.B. TEMP. | | | | TOTAL KW |
|--------------|--------------|--------------|-----------------------------------|------|------|------|-------------|
| | | | 72 | 75 | 78 | 80 | |
| 85 | 59 | 27.6 | 21.6 | 24.2 | 26.6 | 27.6 | 2.31 |
| | 63 | 28.7 | 17.9 | 20.6 | 23.2 | 24.9 | 2.32 |
| | 67 | 30.7 | 14.2 | 17.0 | 19.7 | 21.5 | 2.34 |
| | 71 | 33.0 | 10.5 | 13.3 | 16.1 | 17.9 | 2.34 |
| 95 | 59 | 26.4 | 21.2 | 23.8 | 26.2 | 26.4 | 2.60 |
| | 63 | 27.4 | 17.5 | 20.2 | 22.8 | 24.5 | 2.60 |
| | 67 | 29.4 | 13.8 | 16.6 | 19.4 | 21.1 | 2.63 |
| | 71 | 31.6 | 10.1 | 12.8 | 15.7 | 17.5 | 2.63 |
| 105 | 59 | 25.1 | 20.8 | 23.4 | 25.1 | 25.1 | 2.90 |
| | 63 | 26.1 | 17.1 | 19.8 | 22.4 | 24.1 | 2.91 |
| | 67 | 27.9 | 13.3 | 16.2 | 18.9 | 20.7 | 2.94 |
| | 71 | 30.0 | 9.6 | 12.3 | 15.2 | 17.1 | 2.94 |
| 115 | 59 | 23.6 | 20.4 | 22.9 | 23.6 | 23.6 | 3.23 |
| | 63 | 24.5 | 16.6 | 19.3 | 21.9 | 23.6 | 3.24 |
| | 67 | 26.3 | 12.8 | 15.7 | 18.4 | 20.2 | 3.27 |
| | 71 | 28.3 | 9.0 | 11.8 | 14.7 | 16.6 | 3.27 |

CORRECTION FACTORS FOR OTHER AIRFLOWS (MULTIPLY DATA BY FACTOR)

| | AIRFLOW | TOTAL CAPACITY | SENSIBLE CAPACITY |
|------|---------|----------------|-------------------|
| LOW | 875 | 0.98 | 0.93 |
| HIGH | 1125 | 1.01 | 1.06 |

NOTE: ALL TABLES ABOVE ARE AT ARI RATING CONDITIONS RATED WITH 25 FEET OF REFRIGERANT LINES.
 * DRY COIL CONDITION (TOTAL CAPACITY = SENSIBLE CAPACITY)
 TOTAL CAPACITY, COMP. KW AND APP. DEW PT. ARE VALID ONLY FOR WET COIL. ALL TEMPERATURES IN DEGREES F.

CORRECTION FACTORS FOR OTHER COMBINATIONS (MULTIPLY DATA BY FACTOR)

| INDOOR MODEL | | CFM | MBTUH TOT | MBTUH SEN | SYST KW |
|--------------|-------|------|--------------|--------------|------------|
| 4TEE3F37A1 | RATED | 1000 | 0.99 | 1.03 | 0.98 |
| | LOW | 875 | 0.98 | 0.96 | 0.97 |
| | HIGH | 1125 | 1.01 | 1.10 | 0.99 |
| 4TEE3F40A1 | RATED | 1000 | 1.04 | 1.09 | 0.98 |
| | LOW | 875 | 1.02 | 1.01 | 0.97 |
| | HIGH | 1125 | 1.06 | 1.16 | 0.99 |
| 4TEP3F24A1 | RATED | 1000 | 0.98 | 0.97 | 1.02 |
| | LOW | 875 | 0.96 | 0.90 | 1.00 |
| | HIGH | 1125 | 0.99 | 1.03 | 1.03 |
| 4TEP3F30A1 | RATED | 1000 | 0.96 | 0.93 | 1.05 |
| | LOW | 875 | 0.95 | 0.87 | 1.04 |
| | HIGH | 1125 | 0.97 | 0.99 | 1.07 |
| 4TEP3F36A1 | RATED | 1000 | 0.97 | 0.96 | 1.05 |
| | LOW | 875 | 0.95 | 0.90 | 1.03 |
| | HIGH | 1125 | 0.98 | 1.02 | 1.07 |
| 4TEP3F42A1 | RATED | 1000 | 0.99 | 0.98 | 1.06 |
| | LOW | 875 | 0.97 | 0.92 | 1.04 |
| | HIGH | 1125 | 1.00 | 1.04 | 1.08 |
| RXC031S3 | RATED | 1000 | 0.97 | 0.96 | 1.05 |
| | LOW | 875 | 0.96 | 0.90 | 1.03 |
| | HIGH | 1125 | 0.99 | 1.03 | 1.07 |
| RXC036S3 | RATED | 1000 | 0.99 | 1.00 | 1.05 |
| | LOW | 875 | 0.98 | 0.93 | 1.03 |
| | HIGH | 1125 | 1.01 | 1.06 | 1.07 |



Performance Data Cooling

4TWX4030B1

CORRECTION FACTORS FOR OTHER COMBINATIONS (MULTIPLY DATA BY FACTOR)

| INDOOR MODEL | | CFM | MBTUH TOT | MBTUH SEN | SYST KW |
|-------------------------------|-------|------|--------------|--------------|------------|
| RXC037S3 | RATED | 1000 | 0.99 | 1.00 | 1.05 |
| | LOW | 875 | 0.98 | 0.93 | 1.03 |
| | HIGH | 1125 | 1.01 | 1.06 | 1.07 |
| TDD060R9V3+RXC031S3 | RATED | 1000 | 0.99 | 1.02 | 0.99 |
| | LOW | 875 | 0.98 | 0.95 | 0.98 |
| | HIGH | 1125 | 1.01 | 1.08 | 1.01 |
| TDD060R9V3+RXC036S3 | RATED | 1000 | 1.02 | 1.05 | 1.00 |
| | LOW | 875 | 0.99 | 0.98 | 0.98 |
| | HIGH | 1125 | 1.03 | 1.12 | 1.01 |
| TDD060R9V3+TXH033A4 | RATED | 1000 | 0.99 | 0.99 | 0.98 |
| | LOW | 875 | 0.97 | 0.92 | 0.96 |
| | HIGH | 1125 | 1.01 | 1.05 | 1.00 |
| TDD060R9V3+TXH033A4+4AYTXVH-3 | RATED | 1000 | 0.99 | 1.00 | 0.98 |
| | LOW | 875 | 0.97 | 0.93 | 0.97 |
| | HIGH | 1125 | 1.00 | 1.07 | 0.99 |
| TDD060R9V3+TXH041A4+4AYTXVH-3 | RATED | 1000 | 1.01 | 1.05 | 0.99 |
| | LOW | 875 | 0.99 | 0.97 | 0.98 |
| | HIGH | 1125 | 1.02 | 1.12 | 1.00 |
| TDD080R9V3+RXC031S3 | RATED | 1000 | 0.99 | 1.02 | 0.99 |
| | LOW | 875 | 0.98 | 0.95 | 0.98 |
| | HIGH | 1125 | 1.01 | 1.09 | 1.00 |
| TDD080R9V3+RXC036S3 | RATED | 1000 | 1.02 | 1.06 | 0.99 |
| | LOW | 875 | 1.00 | 0.98 | 0.98 |
| | HIGH | 1125 | 1.03 | 1.13 | 1.01 |
| TDD080R9V3+TXH033A4 | RATED | 1000 | 0.99 | 0.99 | 0.98 |
| | LOW | 875 | 0.97 | 0.92 | 0.97 |
| | HIGH | 1125 | 1.01 | 1.05 | 1.00 |
| TDD080R9V3+TXH033A4+4AYTXVH-3 | RATED | 1000 | 0.99 | 1.01 | 0.98 |
| | LOW | 875 | 0.97 | 0.94 | 0.97 |
| | HIGH | 1125 | 1.01 | 1.07 | 0.99 |
| TDD080R9V3+TXH041A4+4AYTXVH-3 | RATED | 1000 | 1.01 | 1.05 | 0.99 |
| | LOW | 875 | 0.99 | 0.97 | 0.98 |
| | HIGH | 1125 | 1.02 | 1.12 | 1.00 |
| TDY060R9V3+RXC031S3 | RATED | 1000 | 1.00 | 1.02 | 0.99 |
| | LOW | 875 | 0.98 | 0.95 | 0.98 |
| | HIGH | 1125 | 1.01 | 1.09 | 1.00 |
| TDY060R9V3+RXC036S3 | RATED | 1000 | 1.02 | 1.06 | 0.99 |
| | LOW | 875 | 1.00 | 0.98 | 0.98 |
| | HIGH | 1125 | 1.03 | 1.13 | 1.00 |
| TDY060R9V3+TXH033A4 | RATED | 1000 | 0.99 | 0.99 | 0.98 |
| | LOW | 875 | 0.97 | 0.92 | 0.96 |
| | HIGH | 1125 | 1.01 | 1.05 | 0.99 |
| TDY060R9V3+TXH033A4+4AYTXVH-3 | RATED | 1000 | 0.99 | 1.01 | 0.98 |
| | LOW | 875 | 0.97 | 0.94 | 0.97 |
| | HIGH | 1125 | 1.00 | 1.07 | 0.99 |
| TDY060R9V3+TXH041A4+4AYTXVH-3 | RATED | 1000 | 1.01 | 1.05 | 0.98 |
| | LOW | 875 | 0.99 | 0.97 | 0.97 |
| | HIGH | 1125 | 1.02 | 1.12 | 0.99 |
| TDY080R9V3+RXC031S3 | RATED | 1000 | 0.99 | 1.01 | 1.00 |
| | LOW | 875 | 0.97 | 0.94 | 0.99 |
| | HIGH | 1125 | 1.00 | 1.07 | 1.02 |
| TDY080R9V3+RXC036S3 | RATED | 1000 | 1.01 | 1.04 | 1.01 |
| | LOW | 875 | 0.99 | 0.97 | 0.99 |
| | HIGH | 1125 | 1.03 | 1.11 | 1.02 |
| TDY080R9V3+TXH033A4 | RATED | 1000 | 0.99 | 0.98 | 0.99 |
| | LOW | 875 | 0.97 | 0.91 | 0.98 |
| | HIGH | 1125 | 1.00 | 1.04 | 1.01 |
| TDY080R9V3+TXH033A4+4AYTXVH-3 | RATED | 1000 | 0.99 | 0.99 | 0.99 |
| | LOW | 875 | 0.97 | 0.93 | 0.98 |
| | HIGH | 1125 | 1.00 | 1.06 | 1.00 |
| TDY080R9V3+TXH041A4+4AYTXVH-3 | RATED | 1000 | 1.00 | 1.04 | 1.00 |
| | LOW | 875 | 0.99 | 0.96 | 0.99 |
| | HIGH | 1125 | 1.02 | 1.10 | 1.01 |

CORRECTION FACTORS FOR OTHER COMBINATIONS (MULTIPLY DATA BY FACTOR)

| INDOOR MODEL | | CFM | MBTUH TOT | MBTUH SEN | SYST KW |
|-------------------------------|-------|------|--------------|--------------|------------|
| TUD060R9V3+RXC031S3 | RATED | 1000 | 0.99 | 1.00 | 1.02 |
| | LOW | 875 | 0.97 | 0.93 | 1.00 |
| | HIGH | 1125 | 1.00 | 1.07 | 1.03 |
| TUD060R9V3+RXC036S3 | RATED | 1000 | 1.01 | 1.04 | 1.01 |
| | LOW | 875 | 0.99 | 0.97 | 1.00 |
| | HIGH | 1125 | 1.02 | 1.11 | 1.02 |
| TUD060R9V3+TXH033A4 | RATED | 1000 | 0.99 | 0.97 | 0.99 |
| | LOW | 875 | 0.97 | 0.91 | 0.98 |
| | HIGH | 1125 | 1.00 | 1.04 | 1.01 |
| TUD060R9V3+TXH033A4+4AYTXVH-3 | RATED | 1000 | 0.99 | 0.99 | 0.99 |
| | LOW | 875 | 0.97 | 0.92 | 0.98 |
| | HIGH | 1125 | 1.00 | 1.05 | 1.01 |
| TUD060R9V3+TXH041A4+4AYTXVH-3 | RATED | 1000 | 1.00 | 1.03 | 1.00 |
| | LOW | 875 | 0.98 | 0.96 | 0.99 |
| | HIGH | 1125 | 1.01 | 1.10 | 1.01 |
| TUD080R9V3+RXC031S3 | RATED | 1000 | 0.99 | 1.01 | 1.00 |
| | LOW | 875 | 0.98 | 0.95 | 0.99 |
| | HIGH | 1125 | 1.01 | 1.08 | 1.02 |
| TUD080R9V3+RXC036S3 | RATED | 1000 | 1.02 | 1.05 | 1.00 |
| | LOW | 875 | 1.00 | 0.98 | 0.98 |
| | HIGH | 1125 | 1.03 | 1.12 | 1.01 |
| TUD080R9V3+TXH033A4 | RATED | 1000 | 0.99 | 0.98 | 0.99 |
| | LOW | 875 | 0.97 | 0.92 | 0.98 |
| | HIGH | 1125 | 1.01 | 1.05 | 1.01 |
| TUD080R9V3+TXH033A4+4AYTXVH-3 | RATED | 1000 | 0.99 | 1.00 | 0.99 |
| | LOW | 875 | 0.97 | 0.93 | 0.98 |
| | HIGH | 1125 | 1.00 | 1.06 | 1.00 |
| TUD080R9V3+TXH041A4+4AYTXVH-3 | RATED | 1000 | 1.01 | 1.04 | 0.99 |
| | LOW | 875 | 0.99 | 0.97 | 0.98 |
| | HIGH | 1125 | 1.02 | 1.11 | 1.00 |
| TUY060R9V3+RXC031S3 | RATED | 1000 | 1.00 | 1.02 | 1.00 |
| | LOW | 875 | 0.98 | 0.95 | 0.99 |
| | HIGH | 1125 | 1.01 | 1.09 | 1.01 |
| TUY060R9V3+RXC036S3 | RATED | 1000 | 1.01 | 1.05 | 1.00 |
| | LOW | 875 | 0.99 | 0.98 | 0.98 |
| | HIGH | 1125 | 1.03 | 1.12 | 1.01 |
| TUY060R9V3+TXH033A4 | RATED | 1000 | 0.99 | 0.98 | 0.98 |
| | LOW | 875 | 0.97 | 0.92 | 0.97 |
| | HIGH | 1125 | 1.00 | 1.05 | 1.00 |
| TUY060R9V3+TXH033A4+4AYTXVH-3 | RATED | 1000 | 0.99 | 1.00 | 0.98 |
| | LOW | 875 | 0.97 | 0.93 | 0.97 |
| | HIGH | 1125 | 1.00 | 1.07 | 0.99 |
| TUY060R9V3+TXH041A4+4AYTXVH-3 | RATED | 1000 | 1.01 | 1.04 | 0.99 |
| | LOW | 875 | 0.99 | 0.97 | 0.98 |
| | HIGH | 1125 | 1.02 | 1.11 | 1.00 |
| TUY080R9V3+RXC031S3 | RATED | 1000 | 0.99 | 1.02 | 0.98 |
| | LOW | 875 | 0.98 | 0.95 | 0.97 |
| | HIGH | 1125 | 1.01 | 1.09 | 0.99 |
| TUY080R9V3+RXC036S3 | RATED | 1000 | 1.02 | 1.06 | 0.99 |
| | LOW | 875 | 1.00 | 0.99 | 0.98 |
| | HIGH | 1125 | 1.03 | 1.13 | 1.00 |
| TUY080R9V3+TXH033A4 | RATED | 1000 | 0.99 | 0.99 | 0.98 |
| | LOW | 875 | 0.97 | 0.92 | 0.96 |
| | HIGH | 1125 | 1.01 | 1.06 | 0.99 |
| TUY080R9V3+TXH033A4+4AYTXVH-3 | RATED | 1000 | 0.99 | 1.01 | 0.98 |
| | LOW | 875 | 0.97 | 0.94 | 0.97 |
| | HIGH | 1125 | 1.01 | 1.08 | 0.99 |
| TUY080R9V3+TXH041A4+4AYTXVH-3 | RATED | 1000 | 1.01 | 1.05 | 0.98 |
| | LOW | 875 | 0.99 | 0.98 | 0.97 |
| | HIGH | 1125 | 1.03 | 1.12 | 0.99 |
| TWE030C14 | RATED | 1000 | 0.94 | 0.89 | 1.04 |
| | LOW | 875 | 0.93 | 0.83 | 1.02 |
| | HIGH | 1125 | 0.96 | 0.95 | 1.07 |



Performance Data Cooling

4TWX4030B1

CORRECTION FACTORS FOR OTHER COMBINATIONS (MULTIPLY DATA BY FACTOR)

| INDOOR MODEL | | CFM | MBTUH TOT | MBTUH SEN | SYST KW |
|---------------------|-------|------|--------------|--------------|------------|
| TWE030C14+4AYTXVH-3 | RATED | 1000 | 0.94 | 0.91 | 1.05 |
| | LOW | 875 | 0.93 | 0.85 | 1.03 |
| | HIGH | 1125 | 0.95 | 0.96 | 1.07 |
| TWE036C14 | RATED | 1000 | 0.96 | 0.92 | 1.04 |
| | LOW | 875 | 0.94 | 0.86 | 1.02 |
| | HIGH | 1125 | 0.97 | 0.98 | 1.07 |
| TWE036C14+4AYTXVH-3 | RATED | 1000 | 0.95 | 0.93 | 1.05 |
| | LOW | 875 | 0.94 | 0.87 | 1.03 |
| | HIGH | 1125 | 0.96 | 0.99 | 1.07 |
| TWE042C14+4AYTXVH-3 | RATED | 1000 | 0.97 | 0.97 | 1.05 |
| | LOW | 875 | 0.96 | 0.90 | 1.03 |
| | HIGH | 1125 | 0.99 | 1.03 | 1.07 |
| TXA025C4+4AYTXVH-3 | RATED | 1000 | 0.94 | 0.91 | 1.05 |
| | LOW | 875 | 0.92 | 0.85 | 1.03 |
| | HIGH | 1125 | 0.95 | 0.96 | 1.07 |
| TXA030C4+4AYTXVH-3 | RATED | 1000 | 0.95 | 0.93 | 1.05 |
| | LOW | 875 | 0.93 | 0.87 | 1.03 |
| | HIGH | 1125 | 0.96 | 1.00 | 1.07 |
| TXA031C4+4AYTXVH-3 | RATED | 1000 | 0.95 | 0.94 | 1.05 |
| | LOW | 875 | 0.94 | 0.88 | 1.03 |
| | HIGH | 1125 | 0.96 | 1.00 | 1.07 |
| TXA031C4+BAY24X045 | RATED | 1000 | 0.96 | 0.92 | 1.05 |
| | LOW | 875 | 0.94 | 0.86 | 1.03 |
| | HIGH | 1125 | 0.97 | 0.98 | 1.08 |
| TXA035C4+4AYTXVH-3 | RATED | 1000 | 0.95 | 0.93 | 1.05 |
| | LOW | 875 | 0.93 | 0.87 | 1.03 |
| | HIGH | 1125 | 0.96 | 1.00 | 1.07 |
| TXA036C4+4AYTXVH-3 | RATED | 1000 | 0.97 | 0.96 | 1.05 |
| | LOW | 875 | 0.95 | 0.90 | 1.03 |
| | HIGH | 1125 | 0.98 | 1.02 | 1.07 |
| TXA036C4+BAY24X045 | RATED | 1000 | 0.97 | 0.95 | 1.05 |
| | LOW | 875 | 0.95 | 0.88 | 1.03 |
| | HIGH | 1125 | 0.98 | 1.01 | 1.08 |
| TXA037C4+4AYTXVH-3 | RATED | 1000 | 0.97 | 0.96 | 1.05 |
| | LOW | 875 | 0.95 | 0.90 | 1.03 |
| | HIGH | 1125 | 0.98 | 1.02 | 1.07 |
| TXA037C4+BAY24X045 | RATED | 1000 | 0.97 | 0.95 | 1.05 |
| | LOW | 875 | 0.95 | 0.88 | 1.03 |
| | HIGH | 1125 | 0.98 | 1.01 | 1.08 |
| TXA042C4+4AYTXVH-3 | RATED | 1000 | 0.97 | 0.98 | 1.06 |
| | LOW | 875 | 0.96 | 0.91 | 1.04 |
| | HIGH | 1125 | 0.99 | 1.04 | 1.08 |
| TXA043C4+4AYTXVH-3 | RATED | 1000 | 0.97 | 0.98 | 1.06 |
| | LOW | 875 | 0.96 | 0.91 | 1.04 |
| | HIGH | 1125 | 0.99 | 1.04 | 1.08 |
| TXC025C4+4AYTXVH-3 | RATED | 1000 | 0.94 | 0.91 | 1.05 |
| | LOW | 875 | 0.92 | 0.85 | 1.03 |
| | HIGH | 1125 | 0.95 | 0.96 | 1.07 |
| TXC025D4+4AYTXVH-3 | RATED | 1000 | 0.94 | 0.91 | 1.05 |
| | LOW | 875 | 0.92 | 0.85 | 1.03 |
| | HIGH | 1125 | 0.95 | 0.96 | 1.07 |
| TXC030C4+4AYTXVH-3 | RATED | 1000 | 0.95 | 0.93 | 1.05 |
| | LOW | 875 | 0.93 | 0.87 | 1.03 |
| | HIGH | 1125 | 0.96 | 1.00 | 1.07 |

CORRECTION FACTORS FOR OTHER COMBINATIONS (MULTIPLY DATA BY FACTOR)

| INDOOR MODEL | | CFM | MBTUH TOT | MBTUH SEN | SYST KW |
|--------------------|-------|------|--------------|--------------|------------|
| TXC030D4+4AYTXVH-3 | RATED | 1000 | 0.95 | 0.93 | 1.05 |
| | LOW | 875 | 0.93 | 0.87 | 1.03 |
| | HIGH | 1125 | 0.96 | 1.00 | 1.07 |
| TXC031C4+4AYTXVH-3 | RATED | 1000 | 0.95 | 0.94 | 1.05 |
| | LOW | 875 | 0.94 | 0.88 | 1.03 |
| | HIGH | 1125 | 0.96 | 1.00 | 1.07 |
| TXC031C4+BAY24X045 | RATED | 1000 | 0.96 | 0.92 | 1.05 |
| | LOW | 875 | 0.94 | 0.86 | 1.03 |
| | HIGH | 1125 | 0.97 | 0.98 | 1.08 |
| TXC031D4+4AYTXVH-3 | RATED | 1000 | 0.95 | 0.94 | 1.05 |
| | LOW | 875 | 0.94 | 0.88 | 1.03 |
| | HIGH | 1125 | 0.96 | 1.00 | 1.07 |
| TXC031D4+BAY24X045 | RATED | 1000 | 0.96 | 0.92 | 1.05 |
| | LOW | 875 | 0.94 | 0.86 | 1.03 |
| | HIGH | 1125 | 0.97 | 0.98 | 1.08 |
| TXC035C4+4AYTXVH-3 | RATED | 1000 | 0.95 | 0.93 | 1.05 |
| | LOW | 875 | 0.93 | 0.87 | 1.03 |
| | HIGH | 1125 | 0.96 | 1.00 | 1.07 |
| TXC035D4+4AYTXVH-3 | RATED | 1000 | 0.95 | 0.93 | 1.05 |
| | LOW | 875 | 0.93 | 0.87 | 1.03 |
| | HIGH | 1125 | 0.96 | 1.00 | 1.07 |
| TXC036C4+4AYTXVH-3 | RATED | 1000 | 0.97 | 0.96 | 1.05 |
| | LOW | 875 | 0.95 | 0.90 | 1.03 |
| | HIGH | 1125 | 0.98 | 1.02 | 1.07 |
| TXC036C4+BAY24X045 | RATED | 1000 | 0.97 | 0.95 | 1.05 |
| | LOW | 875 | 0.95 | 0.88 | 1.03 |
| | HIGH | 1125 | 0.98 | 1.01 | 1.08 |
| TXC036D4+4AYTXVH-3 | RATED | 1000 | 0.97 | 0.96 | 1.05 |
| | LOW | 875 | 0.95 | 0.90 | 1.03 |
| | HIGH | 1125 | 0.98 | 1.02 | 1.07 |
| TXC036D4+BAY24X045 | RATED | 1000 | 0.97 | 0.95 | 1.05 |
| | LOW | 875 | 0.95 | 0.88 | 1.03 |
| | HIGH | 1125 | 0.98 | 1.01 | 1.08 |
| TXC037C4+4AYTXVH-3 | RATED | 1000 | 0.97 | 0.96 | 1.05 |
| | LOW | 875 | 0.95 | 0.90 | 1.03 |
| | HIGH | 1125 | 0.98 | 1.02 | 1.07 |
| TXC037C4+BAY24X045 | RATED | 1000 | 0.97 | 0.95 | 1.05 |
| | LOW | 875 | 0.95 | 0.88 | 1.03 |
| | HIGH | 1125 | 0.98 | 1.01 | 1.08 |
| TXC042C4+4AYTXVH-3 | RATED | 1000 | 0.97 | 0.98 | 1.06 |
| | LOW | 875 | 0.96 | 0.91 | 1.04 |
| | HIGH | 1125 | 0.99 | 1.04 | 1.08 |
| TXC043C4+4AYTXVH-3 | RATED | 1000 | 0.97 | 0.98 | 1.06 |
| | LOW | 875 | 0.96 | 0.91 | 1.04 |
| | HIGH | 1125 | 0.99 | 1.04 | 1.08 |
| TXH033A4+4AYTXVH-3 | RATED | 1000 | 0.97 | 0.94 | 1.05 |
| | LOW | 875 | 0.95 | 0.88 | 1.03 |
| | HIGH | 1125 | 0.98 | 1.00 | 1.07 |
| TXH033A4+BAY24X045 | RATED | 1000 | 0.97 | 0.93 | 1.06 |
| | LOW | 875 | 0.96 | 0.87 | 1.03 |
| | HIGH | 1125 | 0.99 | 0.99 | 1.08 |
| TXH041A4+4AYTXVH-3 | RATED | 1000 | 0.99 | 0.99 | 1.05 |
| | LOW | 875 | 0.97 | 0.92 | 1.03 |
| | HIGH | 1125 | 1.00 | 1.05 | 1.07 |



Performance Data Cooling

4TWX4036B1

4TWX4036B1 WITH 4TEE3F37A1 AT 1200 CFM

| O.D. D.B. | I.D. W.B. | TOT. CAP. | SENS. CAP. AT ENTERING D.B. TEMP. | | | | TOTAL KW |
|--------------|--------------|--------------|-----------------------------------|------|------|------|-------------|
| | | | 72 | 75 | 78 | 80 | |
| 85 | 59 | 33.4 | 26.2 | 29.3 | 32.3 | 33.4 | 2.70 |
| | 63 | 34.7 | 21.7 | 25.0 | 28.2 | 30.2 | 2.70 |
| | 67 | 37.1 | 17.3 | 20.6 | 23.9 | 26.1 | 2.72 |
| | 71 | 39.9 | 12.8 | 16.1 | 19.5 | 21.7 | 2.71 |
| 95 | 59 | 31.9 | 25.8 | 28.9 | 31.8 | 31.9 | 3.03 |
| | 63 | 33.1 | 21.2 | 24.5 | 27.7 | 29.7 | 3.04 |
| | 67 | 35.5 | 16.7 | 20.1 | 23.5 | 25.6 | 3.06 |
| | 71 | 38.2 | 12.2 | 15.6 | 19.0 | 21.2 | 3.05 |
| 105 | 59 | 30.3 | 25.3 | 28.3 | 30.3 | 30.3 | 3.40 |
| | 63 | 31.5 | 20.7 | 24.0 | 27.2 | 29.2 | 3.41 |
| | 67 | 33.7 | 16.2 | 19.6 | 22.9 | 25.1 | 3.43 |
| | 71 | 36.2 | 11.6 | 15.0 | 18.4 | 20.7 | 3.43 |
| 115 | 59 | 28.5 | 24.7 | 27.8 | 28.5 | 28.5 | 3.82 |
| | 63 | 29.6 | 20.1 | 23.4 | 26.6 | 28.7 | 3.82 |
| | 67 | 31.7 | 15.6 | 19.0 | 22.3 | 24.5 | 3.85 |
| | 71 | 34.1 | 10.9 | 14.3 | 17.8 | 20.1 | 3.84 |

CORRECTION FACTORS FOR OTHER AIRFLOWS (MULTIPLY DATA BY FACTOR)

| AIRFLOW | TOTAL CAPACITY | SENSIBLE CAPACITY |
|---------|----------------|-------------------|
| LOW | 1050 | 0.98 |
| HIGH | 1350 | 1.01 |

NOTE: ALL TABLES ABOVE ARE AT ARI RATING CONDITIONS RATED WITH 25 FEET OF REFRIGERANT LINES.
 * DRY COIL CONDITION (TOTAL CAPACITY = SENSIBLE CAPACITY)
 TOTAL CAPACITY, COMP. KW AND APP. DEW PT. ARE VALID ONLY FOR WET COIL. ALL TEMPERATURES IN DEGREES F.

CORRECTION FACTORS FOR OTHER COMBINATIONS (MULTIPLY DATA BY FACTOR)

| INDOOR MODEL | | CFM | MBTUH TOT | MBTUH SEN | SYST KW |
|---------------------|-------|------|--------------|--------------|------------|
| 4TEE3F31A1 | RATED | 1200 | 0.96 | 0.91 | 1.04 |
| | LOW | 1050 | 0.94 | 0.85 | 1.02 |
| | HIGH | 1350 | 0.97 | 0.97 | 1.05 |
| 4TEE3F40A1 | RATED | 1200 | 1.03 | 1.04 | 1.00 |
| | LOW | 1050 | 1.01 | 0.97 | 0.99 |
| | HIGH | 1350 | 1.04 | 1.11 | 1.01 |
| 4TEP3F30A1 | RATED | 1200 | 0.95 | 0.90 | 1.06 |
| | LOW | 1050 | 0.94 | 0.84 | 1.05 |
| | HIGH | 1350 | 0.96 | 0.95 | 1.08 |
| 4TEP3F36A1 | RATED | 1200 | 0.95 | 0.92 | 1.06 |
| | LOW | 1050 | 0.94 | 0.86 | 1.04 |
| | HIGH | 1350 | 0.96 | 0.98 | 1.08 |
| 4TEP3F42A1 | RATED | 1200 | 0.98 | 0.96 | 1.06 |
| | LOW | 1050 | 0.96 | 0.90 | 1.05 |
| | HIGH | 1350 | 0.99 | 1.02 | 1.08 |
| 4TEP3F48B1 | RATED | 1200 | 0.99 | 1.00 | 1.05 |
| | LOW | 1050 | 0.97 | 0.94 | 1.03 |
| | HIGH | 1350 | 1.00 | 1.07 | 1.07 |
| RXC031S3 | RATED | 1200 | 0.97 | 0.93 | 1.06 |
| | LOW | 1050 | 0.95 | 0.87 | 1.04 |
| | HIGH | 1350 | 0.98 | 0.99 | 1.08 |
| RXC036S3 | RATED | 1200 | 0.99 | 0.97 | 1.06 |
| | LOW | 1050 | 0.97 | 0.91 | 1.04 |
| | HIGH | 1350 | 1.00 | 1.04 | 1.08 |
| RXC037S3 | RATED | 1200 | 0.99 | 0.97 | 1.06 |
| | LOW | 1050 | 0.97 | 0.91 | 1.04 |
| | HIGH | 1350 | 1.00 | 1.04 | 1.08 |
| RXC054S3 | RATED | 1200 | 0.99 | 0.98 | 1.07 |
| | LOW | 1050 | 0.97 | 0.92 | 1.05 |
| | HIGH | 1350 | 1.00 | 1.05 | 1.09 |
| TDD060R9V3+RXC031S3 | RATED | 1200 | 0.97 | 0.96 | 1.04 |
| | LOW | 1050 | 0.96 | 0.89 | 1.02 |
| | HIGH | 1350 | 0.98 | 1.02 | 1.05 |

CORRECTION FACTORS FOR OTHER COMBINATIONS (MULTIPLY DATA BY FACTOR)

| INDOOR MODEL | | CFM | MBTUH TOT | MBTUH SEN | SYST KW |
|-------------------------------|-------|------|--------------|--------------|------------|
| TDD060R9V3+RXC036S3 | RATED | 1200 | 1.00 | 1.00 | 1.02 |
| | LOW | 1050 | 0.98 | 0.93 | 1.01 |
| | HIGH | 1350 | 1.01 | 1.07 | 1.04 |
| TDD060R9V3+TXH033A4 | RATED | 1200 | 0.96 | 0.92 | 1.01 |
| | LOW | 1050 | 0.94 | 0.86 | 0.99 |
| | HIGH | 1350 | 0.98 | 0.98 | 1.03 |
| TDD060R9V3+TXH033A4+4AYTXVH-3 | RATED | 1200 | 0.96 | 0.94 | 1.02 |
| | LOW | 1050 | 0.95 | 0.88 | 1.00 |
| | HIGH | 1350 | 0.98 | 1.00 | 1.03 |
| TDD060R9V3+TXH041A4 | RATED | 1200 | 1.00 | 0.98 | 1.02 |
| | LOW | 1050 | 0.98 | 0.91 | 1.00 |
| | HIGH | 1350 | 1.01 | 1.04 | 1.03 |
| TDD060R9V3+TXH041A4+4AYTXVH-3 | RATED | 1200 | 0.99 | 0.99 | 1.02 |
| | LOW | 1050 | 0.97 | 0.93 | 1.01 |
| | HIGH | 1350 | 1.00 | 1.06 | 1.03 |
| TDD080R9V3+RXC031S3 | RATED | 1200 | 0.98 | 0.96 | 1.02 |
| | LOW | 1050 | 0.96 | 0.90 | 1.01 |
| | HIGH | 1350 | 0.99 | 1.03 | 1.04 |
| TDD080R9V3+RXC036S3 | RATED | 1200 | 1.00 | 1.01 | 1.02 |
| | LOW | 1050 | 0.98 | 0.94 | 1.00 |
| | HIGH | 1350 | 1.01 | 1.07 | 1.03 |
| TDD080R9V3+TXH033A4 | RATED | 1200 | 0.97 | 0.93 | 1.01 |
| | LOW | 1050 | 0.95 | 0.86 | 0.99 |
| | HIGH | 1350 | 0.98 | 0.99 | 1.03 |
| TDD080R9V3+TXH033A4+4AYTXVH-3 | RATED | 1200 | 0.97 | 0.94 | 1.02 |
| | LOW | 1050 | 0.95 | 0.88 | 1.00 |
| | HIGH | 1350 | 0.98 | 1.00 | 1.03 |
| TDD080R9V3+TXH041A4 | RATED | 1200 | 1.00 | 0.99 | 1.02 |
| | LOW | 1050 | 0.98 | 0.92 | 1.00 |
| | HIGH | 1350 | 1.01 | 1.05 | 1.04 |
| TDD080R9V3+TXH041A4+4AYTXVH-3 | RATED | 1200 | 0.99 | 1.00 | 1.01 |
| | LOW | 1050 | 0.97 | 0.93 | 1.00 |
| | HIGH | 1350 | 1.01 | 1.06 | 1.02 |
| TDD100R9V5+RXC037S3 | RATED | 1200 | 1.01 | 1.04 | 0.99 |
| | LOW | 1050 | 0.99 | 0.97 | 0.98 |
| | HIGH | 1350 | 1.03 | 1.11 | 1.00 |
| TDD100R9V5+TXH033A4 | RATED | 1200 | 0.98 | 0.95 | 0.98 |
| | LOW | 1050 | 0.95 | 0.89 | 0.96 |
| | HIGH | 1350 | 0.99 | 1.02 | 0.99 |
| TDD100R9V5+TXH033A4+4AYTXVH-3 | RATED | 1200 | 0.97 | 0.97 | 0.98 |
| | LOW | 1050 | 0.95 | 0.90 | 0.97 |
| | HIGH | 1350 | 0.99 | 1.03 | 0.99 |
| TDD100R9V5+TXH041A4 | RATED | 1200 | 1.00 | 1.01 | 0.98 |
| | LOW | 1050 | 0.98 | 0.94 | 0.97 |
| | HIGH | 1350 | 1.02 | 1.08 | 1.00 |
| TDD100R9V5+TXH041A4+4AYTXVH-3 | RATED | 1200 | 1.00 | 1.02 | 0.98 |
| | LOW | 1050 | 0.98 | 0.95 | 0.97 |
| | HIGH | 1350 | 1.02 | 1.09 | 0.99 |
| TDY060R9V3+RXC031S3 | RATED | 1200 | 0.98 | 0.96 | 1.03 |
| | LOW | 1050 | 0.96 | 0.90 | 1.01 |
| | HIGH | 1350 | 0.99 | 1.02 | 1.04 |
| TDY060R9V3+RXC036S3 | RATED | 1200 | 1.00 | 1.01 | 1.02 |
| | LOW | 1050 | 0.98 | 0.94 | 1.01 |
| | HIGH | 1350 | 1.01 | 1.07 | 1.04 |
| TDY060R9V3+TXH033A4 | RATED | 1200 | 0.96 | 0.93 | 1.01 |
| | LOW | 1050 | 0.94 | 0.86 | 0.99 |
| | HIGH | 1350 | 0.98 | 0.99 | 1.02 |
| TDY060R9V3+TXH033A4+4AYTXVH-3 | RATED | 1200 | 0.96 | 0.94 | 1.01 |
| | LOW | 1050 | 0.95 | 0.88 | 1.00 |
| | HIGH | 1350 | 0.98 | 1.00 | 1.02 |
| TDY060R9V3+TXH041A4 | RATED | 1200 | 1.00 | 0.98 | 1.02 |
| | LOW | 1050 | 0.98 | 0.92 | 1.00 |
| | HIGH | 1350 | 1.01 | 1.05 | 1.03 |



Performance Data Cooling

4TWX4036B1

CORRECTION FACTORS FOR OTHER COMBINATIONS (MULTIPLY DATA BY FACTOR)

| INDOOR MODEL | | CFM | MBTUH TOT | MBTUH SEN | SYST KW |
|-------------------------------|-------|------|--------------|--------------|------------|
| TDY060R9V3+TXH041A4+4AYTXVH-3 | RATED | 1200 | 0.99 | 1.00 | 1.01 |
| | LOW | 1050 | 0.97 | 0.93 | 1.00 |
| | HIGH | 1350 | 1.00 | 1.06 | 1.03 |
| TDY080R9V3+RXC031S3 | RATED | 1200 | 0.97 | 0.95 | 1.04 |
| | LOW | 1050 | 0.95 | 0.89 | 1.03 |
| | HIGH | 1350 | 0.98 | 1.01 | 1.06 |
| TDY080R9V3+RXC036S3 | RATED | 1200 | 1.00 | 0.99 | 1.04 |
| | LOW | 1050 | 0.98 | 0.93 | 1.03 |
| | HIGH | 1350 | 1.01 | 1.06 | 1.06 |
| TDY080R9V3+TXH033A4 | RATED | 1200 | 0.96 | 0.91 | 1.02 |
| | LOW | 1050 | 0.94 | 0.85 | 1.00 |
| | HIGH | 1350 | 0.97 | 0.97 | 1.04 |
| TDY080R9V3+TXH033A4+4AYTXVH-3 | RATED | 1200 | 0.96 | 0.93 | 1.03 |
| | LOW | 1050 | 0.95 | 0.87 | 1.02 |
| | HIGH | 1350 | 0.97 | 0.99 | 1.05 |
| TDY080R9V3+TXH041A4 | RATED | 1200 | 0.99 | 0.97 | 1.03 |
| | LOW | 1050 | 0.97 | 0.90 | 1.01 |
| | HIGH | 1350 | 1.01 | 1.03 | 1.05 |
| TDY080R9V3+TXH041A4+4AYTXVH-3 | RATED | 1200 | 0.98 | 0.98 | 1.03 |
| | LOW | 1050 | 0.97 | 0.92 | 1.01 |
| | HIGH | 1350 | 1.00 | 1.05 | 1.04 |
| TDY100R9V4+RXC037S3 | RATED | 1200 | 1.00 | 1.02 | 1.02 |
| | LOW | 1050 | 0.99 | 0.95 | 1.00 |
| | HIGH | 1350 | 1.02 | 1.08 | 1.03 |
| TDY100R9V4+TXH033A4 | RATED | 1200 | 0.97 | 0.93 | 1.01 |
| | LOW | 1050 | 0.95 | 0.87 | 0.99 |
| | HIGH | 1350 | 0.98 | 0.99 | 1.03 |
| TDY100R9V4+TXH033A4+4AYTXVH-3 | RATED | 1200 | 0.96 | 0.94 | 1.01 |
| | LOW | 1050 | 0.95 | 0.88 | 1.00 |
| | HIGH | 1350 | 0.98 | 1.00 | 1.03 |
| TDY100R9V4+TXH041A4 | RATED | 1200 | 1.00 | 0.99 | 1.02 |
| | LOW | 1050 | 0.98 | 0.92 | 1.00 |
| | HIGH | 1350 | 1.01 | 1.05 | 1.04 |
| TDY100R9V4+TXH041A4+4AYTXVH-3 | RATED | 1200 | 0.99 | 1.00 | 1.00 |
| | LOW | 1050 | 0.97 | 0.93 | 0.99 |
| | HIGH | 1350 | 1.00 | 1.06 | 1.02 |
| TUD060R9V3+RXC031S3 | RATED | 1200 | 0.97 | 0.95 | 1.04 |
| | LOW | 1050 | 0.95 | 0.88 | 1.03 |
| | HIGH | 1350 | 0.98 | 1.01 | 1.06 |
| TUD060R9V3+RXC036S3 | RATED | 1200 | 0.99 | 0.99 | 1.04 |
| | LOW | 1050 | 0.97 | 0.92 | 1.02 |
| | HIGH | 1350 | 1.00 | 1.05 | 1.05 |
| TUD060R9V3+TXH033A4 | RATED | 1200 | 0.96 | 0.91 | 1.03 |
| | LOW | 1050 | 0.94 | 0.85 | 1.01 |
| | HIGH | 1350 | 0.97 | 0.97 | 1.05 |
| TUD060R9V3+TXH033A4+4AYTXVH-3 | RATED | 1200 | 0.96 | 0.93 | 1.03 |
| | LOW | 1050 | 0.94 | 0.87 | 1.01 |
| | HIGH | 1350 | 0.97 | 0.98 | 1.04 |
| TUD060R9V3+TXH041A4 | RATED | 1200 | 0.99 | 0.97 | 1.04 |
| | LOW | 1050 | 0.97 | 0.90 | 1.02 |
| | HIGH | 1350 | 1.00 | 1.03 | 1.06 |
| TUD060R9V3+TXH041A4+4AYTXVH-3 | RATED | 1200 | 0.99 | 0.98 | 1.03 |
| | LOW | 1050 | 0.97 | 0.92 | 1.02 |
| | HIGH | 1350 | 1.00 | 1.04 | 1.05 |
| TUD080R9V3+RXC031S3 | RATED | 1200 | 0.97 | 0.95 | 1.04 |
| | LOW | 1050 | 0.95 | 0.89 | 1.03 |
| | HIGH | 1350 | 0.98 | 1.01 | 1.06 |
| TUD080R9V3+RXC036S3 | RATED | 1200 | 1.00 | 1.00 | 1.03 |
| | LOW | 1050 | 0.98 | 0.93 | 1.02 |
| | HIGH | 1350 | 1.01 | 1.06 | 1.05 |
| TUD080R9V3+TXH033A4 | RATED | 1200 | 0.96 | 0.92 | 1.03 |
| | LOW | 1050 | 0.94 | 0.86 | 1.01 |
| | HIGH | 1350 | 0.98 | 0.98 | 1.05 |

CORRECTION FACTORS FOR OTHER COMBINATIONS (MULTIPLY DATA BY FACTOR)

| INDOOR MODEL | | CFM | MBTUH TOT | MBTUH SEN | SYST KW |
|-------------------------------|-------|------|--------------|--------------|------------|
| TUD080R9V3+TXH033A4+4AYTXVH-3 | RATED | 1200 | 0.96 | 0.93 | 1.03 |
| | LOW | 1050 | 0.95 | 0.87 | 1.01 |
| | HIGH | 1350 | 0.98 | 0.99 | 1.04 |
| TUD080R9V3+TXH041A4 | RATED | 1200 | 0.99 | 0.97 | 1.03 |
| | LOW | 1050 | 0.97 | 0.91 | 1.01 |
| | HIGH | 1350 | 1.01 | 1.04 | 1.05 |
| TUD080R9V3+TXH041A4+4AYTXVH-3 | RATED | 1200 | 0.99 | 0.99 | 1.02 |
| | LOW | 1050 | 0.97 | 0.92 | 1.01 |
| | HIGH | 1350 | 1.00 | 1.05 | 1.04 |
| TUD100R9V5+RXC037S3 | RATED | 1200 | 1.01 | 1.04 | 0.99 |
| | LOW | 1050 | 0.99 | 0.96 | 0.98 |
| | HIGH | 1350 | 1.03 | 1.11 | 1.00 |
| TUD100R9V5+TXH033A4 | RATED | 1200 | 0.97 | 0.95 | 0.98 |
| | LOW | 1050 | 0.95 | 0.88 | 0.96 |
| | HIGH | 1350 | 0.99 | 1.01 | 0.99 |
| TUD100R9V5+TXH033A4+4AYTXVH-3 | RATED | 1200 | 0.98 | 0.97 | 0.99 |
| | LOW | 1050 | 0.96 | 0.90 | 0.98 |
| | HIGH | 1350 | 0.99 | 1.03 | 1.00 |
| TUD100R9V5+TXH041A4 | RATED | 1200 | 1.00 | 1.01 | 0.98 |
| | LOW | 1050 | 0.98 | 0.93 | 0.97 |
| | HIGH | 1350 | 1.02 | 1.07 | 1.00 |
| TUD100R9V5+TXH041A4+4AYTXVH-3 | RATED | 1200 | 1.00 | 1.02 | 0.98 |
| | LOW | 1050 | 0.98 | 0.95 | 0.97 |
| | HIGH | 1350 | 1.01 | 1.09 | 0.99 |
| TUY060R9V3+RXC031S3 | RATED | 1200 | 0.98 | 0.96 | 1.04 |
| | LOW | 1050 | 0.96 | 0.90 | 1.02 |
| | HIGH | 1350 | 0.99 | 1.02 | 1.06 |
| TUY060R9V3+RXC036S3 | RATED | 1200 | 1.00 | 1.00 | 1.03 |
| | LOW | 1050 | 0.98 | 0.94 | 1.01 |
| | HIGH | 1350 | 1.01 | 1.07 | 1.04 |
| TUY060R9V3+TXH033A4 | RATED | 1200 | 0.96 | 0.92 | 1.02 |
| | LOW | 1050 | 0.94 | 0.86 | 1.00 |
| | HIGH | 1350 | 0.98 | 0.98 | 1.03 |
| TUY060R9V3+TXH033A4+4AYTXVH-3 | RATED | 1200 | 0.96 | 0.94 | 1.02 |
| | LOW | 1050 | 0.95 | 0.88 | 1.01 |
| | HIGH | 1350 | 0.97 | 1.00 | 1.03 |
| TUY060R9V3+TXH041A4 | RATED | 1200 | 0.99 | 0.98 | 1.02 |
| | LOW | 1050 | 0.97 | 0.91 | 1.00 |
| | HIGH | 1350 | 1.01 | 1.04 | 1.04 |
| TUY060R9V3+TXH041A4+4AYTXVH-3 | RATED | 1200 | 0.99 | 0.99 | 1.01 |
| | LOW | 1050 | 0.97 | 0.93 | 1.00 |
| | HIGH | 1350 | 1.00 | 1.06 | 1.03 |
| TUY080R9V3+RXC031S3 | RATED | 1200 | 0.98 | 0.97 | 1.02 |
| | LOW | 1050 | 0.96 | 0.90 | 1.00 |
| | HIGH | 1350 | 0.99 | 1.03 | 1.03 |
| TUY080R9V3+RXC036S3 | RATED | 1200 | 1.00 | 1.01 | 1.01 |
| | LOW | 1050 | 0.98 | 0.94 | 1.00 |
| | HIGH | 1350 | 1.02 | 1.08 | 1.03 |
| TUY080R9V3+TXH033A4 | RATED | 1200 | 0.96 | 0.93 | 1.00 |
| | LOW | 1050 | 0.94 | 0.87 | 0.98 |
| | HIGH | 1350 | 0.98 | 0.98 | 1.01 |
| TUY080R9V3+TXH033A4+4AYTXVH-3 | RATED | 1200 | 0.97 | 0.95 | 1.00 |
| | LOW | 1050 | 0.95 | 0.89 | 0.99 |
| | HIGH | 1350 | 0.98 | 1.01 | 1.02 |
| TUY080R9V3+TXH041A4 | RATED | 1200 | 1.00 | 0.99 | 1.01 |
| | LOW | 1050 | 0.98 | 0.92 | 0.99 |
| | HIGH | 1350 | 1.01 | 1.06 | 1.02 |
| TUY080R9V3+TXH041A4+4AYTXVH-3 | RATED | 1200 | 0.99 | 1.00 | 1.00 |
| | LOW | 1050 | 0.97 | 0.93 | 0.99 |
| | HIGH | 1350 | 1.00 | 1.07 | 1.01 |
| TUY100R9V4+RXC037S3 | RATED | 1200 | 1.01 | 1.02 | 1.00 |
| | LOW | 1050 | 0.99 | 0.95 | 0.99 |
| | HIGH | 1350 | 1.02 | 1.09 | 1.01 |



Performance Data Cooling

4TWX4036B1

CORRECTION FACTORS FOR OTHER COMBINATIONS (MULTIPLY DATA BY FACTOR)

| INDOOR MODEL | | CFM | MBTUH TOT | MBTUH SEN | SYST KW |
|-------------------------------|-------|------|--------------|--------------|------------|
| TUY100R9V4+TXH033A4 | RATED | 1200 | 0.97 | 0.94 | 0.99 |
| | LOW | 1050 | 0.95 | 0.87 | 0.97 |
| | HIGH | 1350 | 0.98 | 1.00 | 1.01 |
| TUY100R9V4+TXH033A4+4AYTXVH-3 | RATED | 1200 | 0.97 | 0.96 | 1.00 |
| | LOW | 1050 | 0.95 | 0.89 | 0.99 |
| | HIGH | 1350 | 0.98 | 1.02 | 1.01 |
| TUY100R9V4+TXH041A4 | RATED | 1200 | 1.00 | 0.99 | 1.00 |
| | LOW | 1050 | 0.98 | 0.93 | 0.98 |
| | HIGH | 1350 | 1.02 | 1.06 | 1.02 |
| TUY100R9V4+TXH041A4+4AYTXVH-3 | RATED | 1200 | 0.99 | 1.01 | 1.00 |
| | LOW | 1050 | 0.97 | 0.94 | 0.98 |
| | HIGH | 1350 | 1.01 | 1.07 | 1.01 |
| TWE036C14 | RATED | 1200 | 0.95 | 0.88 | 1.05 |
| | LOW | 1050 | 0.93 | 0.82 | 1.02 |
| | HIGH | 1350 | 0.96 | 0.93 | 1.07 |
| TWE036C14+4AYTXVH-3 | RATED | 1200 | 0.94 | 0.89 | 1.05 |
| | LOW | 1050 | 0.93 | 0.84 | 1.03 |
| | HIGH | 1350 | 0.95 | 0.95 | 1.07 |
| TWE042C14 | RATED | 1200 | 0.97 | 0.91 | 1.07 |
| | LOW | 1050 | 0.95 | 0.85 | 1.04 |
| | HIGH | 1350 | 0.98 | 0.97 | 1.09 |
| TWE042C14+4AYTXVH-3 | RATED | 1200 | 0.96 | 0.93 | 1.07 |
| | LOW | 1050 | 0.95 | 0.87 | 1.05 |
| | HIGH | 1350 | 0.97 | 0.98 | 1.09 |
| TWE048C14+4AYTXVH-3 | RATED | 1200 | 0.97 | 0.95 | 1.08 |
| | LOW | 1050 | 0.96 | 0.88 | 1.06 |
| | HIGH | 1350 | 0.99 | 1.01 | 1.10 |
| TXA030C4+4AYTXVH-3 | RATED | 1200 | 0.93 | 0.90 | 1.07 |
| | LOW | 1050 | 0.92 | 0.84 | 1.05 |
| | HIGH | 1350 | 0.95 | 0.96 | 1.08 |
| TXA030C4+BAY24X045 | RATED | 1200 | 0.94 | 0.89 | 1.06 |
| | LOW | 1050 | 0.92 | 0.82 | 1.03 |
| | HIGH | 1350 | 0.95 | 0.95 | 1.08 |
| TXA031C4+4AYTXVH-3 | RATED | 1200 | 0.95 | 0.90 | 1.07 |
| | LOW | 1050 | 0.93 | 0.85 | 1.05 |
| | HIGH | 1350 | 0.96 | 0.96 | 1.09 |
| TXA031C4+BAY24X045 | RATED | 1200 | 0.94 | 0.88 | 1.06 |
| | LOW | 1050 | 0.92 | 0.83 | 1.03 |
| | HIGH | 1350 | 0.95 | 0.94 | 1.08 |
| TXA035C4+4AYTXVH-3 | RATED | 1200 | 0.93 | 0.90 | 1.07 |
| | LOW | 1050 | 0.92 | 0.84 | 1.05 |
| | HIGH | 1350 | 0.95 | 0.96 | 1.08 |
| TXA035C4+BAY24X045 | RATED | 1200 | 0.94 | 0.89 | 1.06 |
| | LOW | 1050 | 0.92 | 0.82 | 1.03 |
| | HIGH | 1350 | 0.95 | 0.95 | 1.08 |
| TXA036C4+4AYTXVH-3 | RATED | 1200 | 0.95 | 0.93 | 1.06 |
| | LOW | 1050 | 0.94 | 0.87 | 1.05 |
| | HIGH | 1350 | 0.96 | 0.99 | 1.08 |
| TXA036C4+BAY24X045 | RATED | 1200 | 0.96 | 0.91 | 1.06 |
| | LOW | 1050 | 0.94 | 0.85 | 1.04 |
| | HIGH | 1350 | 0.97 | 0.97 | 1.08 |
| TXA037C4+4AYTXVH-3 | RATED | 1200 | 0.95 | 0.93 | 1.06 |
| | LOW | 1050 | 0.94 | 0.87 | 1.05 |
| | HIGH | 1350 | 0.96 | 0.99 | 1.08 |
| TXA037C4+BAY24X045 | RATED | 1200 | 0.96 | 0.91 | 1.06 |
| | LOW | 1050 | 0.94 | 0.85 | 1.04 |
| | HIGH | 1350 | 0.97 | 0.97 | 1.08 |
| TXA042C4+4AYTXVH-3 | RATED | 1200 | 0.96 | 0.94 | 1.07 |
| | LOW | 1050 | 0.95 | 0.88 | 1.05 |
| | HIGH | 1350 | 0.98 | 1.00 | 1.09 |
| TXA042C4+BAY24X045 | RATED | 1200 | 0.96 | 0.93 | 1.06 |
| | LOW | 1050 | 0.94 | 0.87 | 1.03 |
| | HIGH | 1350 | 0.98 | 0.99 | 1.08 |

CORRECTION FACTORS FOR OTHER COMBINATIONS (MULTIPLY DATA BY FACTOR)

| INDOOR MODEL | | CFM | MBTUH TOT | MBTUH SEN | SYST KW |
|--------------------|-------|------|--------------|--------------|------------|
| TXA043C4+4AYTXVH-3 | RATED | 1200 | 0.96 | 0.94 | 1.07 |
| | LOW | 1050 | 0.95 | 0.88 | 1.05 |
| | HIGH | 1350 | 0.98 | 1.00 | 1.09 |
| TXA043C4+BAY24X045 | RATED | 1200 | 0.96 | 0.93 | 1.06 |
| | LOW | 1050 | 0.94 | 0.87 | 1.03 |
| | HIGH | 1350 | 0.98 | 0.99 | 1.08 |
| TXA048C4+4AYTXVH-3 | RATED | 1200 | 0.97 | 0.97 | 1.06 |
| | LOW | 1050 | 0.96 | 0.90 | 1.04 |
| | HIGH | 1350 | 0.99 | 1.03 | 1.08 |
| TXA049C4+4AYTXVH-3 | RATED | 1200 | 0.97 | 0.97 | 1.06 |
| | LOW | 1050 | 0.96 | 0.90 | 1.04 |
| | HIGH | 1350 | 0.99 | 1.03 | 1.08 |
| TXA050C4+4AYTXVH-3 | RATED | 1200 | 0.97 | 0.97 | 1.06 |
| | LOW | 1050 | 0.96 | 0.90 | 1.04 |
| | HIGH | 1350 | 0.99 | 1.03 | 1.08 |
| TXC030C4+4AYTXVH-3 | RATED | 1200 | 0.93 | 0.90 | 1.07 |
| | LOW | 1050 | 0.92 | 0.84 | 1.05 |
| | HIGH | 1350 | 0.95 | 0.96 | 1.08 |
| TXC030C4+BAY24X045 | RATED | 1200 | 0.94 | 0.89 | 1.06 |
| | LOW | 1050 | 0.92 | 0.82 | 1.03 |
| | HIGH | 1350 | 0.95 | 0.95 | 1.08 |
| TXC030D4+4AYTXVH-3 | RATED | 1200 | 0.93 | 0.90 | 1.07 |
| | LOW | 1050 | 0.92 | 0.84 | 1.05 |
| | HIGH | 1350 | 0.95 | 0.96 | 1.08 |
| TXC030D4+BAY24X045 | RATED | 1200 | 0.94 | 0.89 | 1.06 |
| | LOW | 1050 | 0.92 | 0.82 | 1.03 |
| | HIGH | 1350 | 0.95 | 0.95 | 1.08 |
| TXC031C4+4AYTXVH-3 | RATED | 1200 | 0.95 | 0.90 | 1.07 |
| | LOW | 1050 | 0.93 | 0.85 | 1.05 |
| | HIGH | 1350 | 0.96 | 0.96 | 1.09 |
| TXC031C4+BAY24X045 | RATED | 1200 | 0.94 | 0.88 | 1.06 |
| | LOW | 1050 | 0.92 | 0.83 | 1.03 |
| | HIGH | 1350 | 0.95 | 0.94 | 1.08 |
| TXC031D4+4AYTXVH-3 | RATED | 1200 | 0.95 | 0.90 | 1.07 |
| | LOW | 1050 | 0.93 | 0.85 | 1.05 |
| | HIGH | 1350 | 0.96 | 0.96 | 1.09 |
| TXC031D4+BAY24X045 | RATED | 1200 | 0.94 | 0.88 | 1.06 |
| | LOW | 1050 | 0.92 | 0.83 | 1.03 |
| | HIGH | 1350 | 0.95 | 0.94 | 1.08 |
| TXC035C4+4AYTXVH-3 | RATED | 1200 | 0.93 | 0.90 | 1.07 |
| | LOW | 1050 | 0.92 | 0.84 | 1.05 |
| | HIGH | 1350 | 0.95 | 0.96 | 1.08 |
| TXC035C4+BAY24X045 | RATED | 1200 | 0.94 | 0.89 | 1.06 |
| | LOW | 1050 | 0.92 | 0.82 | 1.03 |
| | HIGH | 1350 | 0.95 | 0.95 | 1.08 |
| TXC035D4+4AYTXVH-3 | RATED | 1200 | 0.93 | 0.90 | 1.07 |
| | LOW | 1050 | 0.92 | 0.84 | 1.05 |
| | HIGH | 1350 | 0.95 | 0.96 | 1.08 |
| TXC035D4+BAY24X045 | RATED | 1200 | 0.94 | 0.89 | 1.06 |
| | LOW | 1050 | 0.92 | 0.82 | 1.03 |
| | HIGH | 1350 | 0.95 | 0.95 | 1.08 |
| TXC036C4+4AYTXVH-3 | RATED | 1200 | 0.95 | 0.93 | 1.06 |
| | LOW | 1050 | 0.94 | 0.87 | 1.05 |
| | HIGH | 1350 | 0.96 | 0.99 | 1.08 |
| TXC036C4+BAY24X045 | RATED | 1200 | 0.96 | 0.91 | 1.06 |
| | LOW | 1050 | 0.94 | 0.85 | 1.04 |
| | HIGH | 1350 | 0.97 | 0.97 | 1.08 |
| TXC036D4+4AYTXVH-3 | RATED | 1200 | 0.95 | 0.93 | 1.06 |
| | LOW | 1050 | 0.94 | 0.87 | 1.05 |
| | HIGH | 1350 | 0.96 | 0.99 | 1.08 |
| TXC036D4+BAY24X045 | RATED | 1200 | 0.96 | 0.91 | 1.06 |
| | LOW | 1050 | 0.94 | 0.85 | 1.04 |
| | HIGH | 1350 | 0.97 | 0.97 | 1.08 |



Performance Data Cooling

4TWX4036B1

CORRECTION FACTORS FOR OTHER COMBINATIONS (MULTIPLY DATA BY FACTOR)

| INDOOR MODEL | | CFM | MBTUH TOT | MBTUH SEN | SYST KW |
|--------------------|-------|------|--------------|--------------|------------|
| TXC037C4+4AYTXVH-3 | RATED | 1200 | 0.95 | 0.93 | 1.06 |
| | LOW | 1050 | 0.94 | 0.87 | 1.05 |
| | HIGH | 1350 | 0.96 | 0.99 | 1.08 |
| TXC037C4+BAY24X045 | RATED | 1200 | 0.96 | 0.91 | 1.06 |
| | LOW | 1050 | 0.94 | 0.85 | 1.04 |
| | HIGH | 1350 | 0.97 | 0.97 | 1.08 |
| TXC042C4+4AYTXVH-3 | RATED | 1200 | 0.96 | 0.94 | 1.07 |
| | LOW | 1050 | 0.95 | 0.88 | 1.05 |
| | HIGH | 1350 | 0.98 | 1.00 | 1.09 |
| TXC042C4+BAY24X045 | RATED | 1200 | 0.96 | 0.93 | 1.06 |
| | LOW | 1050 | 0.94 | 0.87 | 1.03 |
| | HIGH | 1350 | 0.98 | 0.99 | 1.08 |
| TXC043C4+4AYTXVH-3 | RATED | 1200 | 0.96 | 0.94 | 1.07 |
| | LOW | 1050 | 0.95 | 0.88 | 1.05 |
| | HIGH | 1350 | 0.98 | 1.00 | 1.09 |
| TXC043C4+BAY24X045 | RATED | 1200 | 0.96 | 0.93 | 1.06 |
| | LOW | 1050 | 0.94 | 0.87 | 1.03 |
| | HIGH | 1350 | 0.98 | 0.99 | 1.08 |
| TXC048C4+4AYTXVH-3 | RATED | 1200 | 0.97 | 0.97 | 1.06 |
| | LOW | 1050 | 0.96 | 0.90 | 1.04 |
| | HIGH | 1350 | 0.99 | 1.03 | 1.08 |
| TXC049C4+4AYTXVH-3 | RATED | 1200 | 0.97 | 0.97 | 1.06 |
| | LOW | 1050 | 0.96 | 0.90 | 1.04 |
| | HIGH | 1350 | 0.99 | 1.03 | 1.08 |

CORRECTION FACTORS FOR OTHER COMBINATIONS (MULTIPLY DATA BY FACTOR)

| INDOOR MODEL | | CFM | MBTUH TOT | MBTUH SEN | SYST KW |
|--------------------|-------|------|--------------|--------------|------------|
| TXC050C4+4AYTXVH-3 | RATED | 1200 | 0.97 | 0.97 | 1.06 |
| | LOW | 1050 | 0.96 | 0.90 | 1.04 |
| | HIGH | 1350 | 0.99 | 1.03 | 1.08 |
| TXH033A4 | RATED | 1200 | 0.95 | 0.89 | 1.05 |
| | LOW | 1050 | 0.93 | 0.83 | 1.03 |
| | HIGH | 1350 | 0.97 | 0.94 | 1.08 |
| TXH033A4+4AYTXVH-3 | RATED | 1200 | 0.95 | 0.90 | 1.06 |
| | LOW | 1050 | 0.94 | 0.85 | 1.05 |
| | HIGH | 1350 | 0.96 | 0.96 | 1.08 |
| TXH033A4+BAY24X045 | RATED | 1200 | 0.95 | 0.89 | 1.05 |
| | LOW | 1050 | 0.93 | 0.83 | 1.03 |
| | HIGH | 1350 | 0.97 | 0.94 | 1.08 |
| TXH041A4 | RATED | 1200 | 0.98 | 0.94 | 1.06 |
| | LOW | 1050 | 0.96 | 0.88 | 1.04 |
| | HIGH | 1350 | 0.99 | 1.00 | 1.09 |
| TXH041A4+4AYTXVH-3 | RATED | 1200 | 0.97 | 0.95 | 1.06 |
| | LOW | 1050 | 0.96 | 0.89 | 1.04 |
| | HIGH | 1350 | 0.99 | 1.01 | 1.08 |
| TXH041A4+BAY24X045 | RATED | 1200 | 0.98 | 0.94 | 1.06 |
| | LOW | 1050 | 0.96 | 0.88 | 1.04 |
| | HIGH | 1350 | 0.99 | 1.00 | 1.09 |

4TWX4042B1

4TWX4042B1 WITH 4TEE3F40A1 AT 1400 CFM

| O.D. D.B. | I.D. W.B. | TOT. CAP. | SENS. CAP. AT ENTERING D.B. TEMP. | | | TOTAL KW | |
|--------------|--------------|--------------|-----------------------------------|------|------|-------------|------|
| | | | 72 | 75 | 78 | | |
| 85 | 59 | 41.4 | 32.6 | 36.5 | 40.3 | 41.4 | 3.24 |
| | 63 | 42.5 | 26.8 | 30.8 | 34.7 | 37.3 | 3.25 |
| | 67 | 45.4 | 21.2 | 25.3 | 29.4 | 32.0 | 3.28 |
| | 71 | 48.5 | 15.7 | 19.7 | 23.8 | 26.5 | 3.29 |
| 95 | 59 | 39.7 | 32.1 | 35.9 | 39.7 | 39.7 | 3.69 |
| | 63 | 40.8 | 26.2 | 30.2 | 34.1 | 36.7 | 3.70 |
| | 67 | 43.6 | 20.6 | 24.7 | 28.8 | 31.5 | 3.73 |
| | 71 | 46.6 | 15.1 | 19.1 | 23.2 | 25.9 | 3.74 |
| 105 | 59 | 37.7 | 31.3 | 35.2 | 37.7 | 37.7 | 4.17 |
| | 63 | 38.8 | 25.5 | 29.5 | 33.4 | 36.0 | 4.18 |
| | 67 | 41.4 | 19.9 | 24.0 | 28.1 | 30.8 | 4.22 |
| | 71 | 44.3 | 14.3 | 18.3 | 22.5 | 25.2 | 4.23 |
| 115 | 59 | 35.2 | 30.4 | 34.3 | 35.2 | 35.2 | 4.68 |
| | 63 | 36.2 | 24.6 | 28.6 | 32.6 | 35.1 | 4.70 |
| | 67 | 38.6 | 19.0 | 23.1 | 27.2 | 29.9 | 4.74 |
| | 71 | 41.3 | 13.3 | 17.4 | 21.6 | 24.3 | 4.75 |

CORRECTION FACTORS FOR OTHER AIRFLOWS (MULTIPLY DATA BY FACTOR)

| | AIRFLOW | TOTAL CAPACITY | SENSIBLE CAPACITY |
|------|---------|----------------|-------------------|
| LOW | 1225 | 0.98 | 0.93 |
| HIGH | 1575 | 1.01 | 1.06 |

NOTE: ALL TABLES ABOVE ARE AT ARI RATING CONDITIONS RATED WITH 25 FEET OF REFRIGERANT LINES.
* DRY COIL CONDITION (TOTAL CAPACITY = SENSIBLE CAPACITY)
TOTAL CAPACITY, COMP. KW AND APP. DEW PT. ARE VALID ONLY FOR WET COIL. ALL TEMPERATURES IN DEGREES F.

CORRECTION FACTORS FOR OTHER COMBINATIONS (MULTIPLY DATA BY FACTOR)

| INDOOR MODEL | | CFM | MBTUH TOT | MBTUH SEN | SYST KW |
|---------------------|-------|------|--------------|--------------|------------|
| 4TEE3F37A1 | RATED | 1400 | 0.93 | 0.89 | 1.02 |
| | LOW | 1225 | 0.91 | 0.83 | 1.01 |
| | HIGH | 1575 | 0.94 | 0.94 | 1.04 |
| 4TEE3F49A1 | RATED | 1400 | 0.98 | 0.98 | 1.01 |
| | LOW | 1225 | 0.96 | 0.91 | 1.00 |
| | HIGH | 1575 | 0.99 | 1.04 | 1.03 |
| 4TEP3F36A1 | RATED | 1400 | 0.90 | 0.85 | 1.06 |
| | LOW | 1225 | 0.89 | 0.80 | 1.04 |
| | HIGH | 1575 | 0.91 | 0.90 | 1.08 |
| 4TEP3F42A1 | RATED | 1400 | 0.94 | 0.90 | 1.06 |
| | LOW | 1225 | 0.92 | 0.84 | 1.04 |
| | HIGH | 1575 | 0.95 | 0.96 | 1.08 |
| 4TEP3F48B1 | RATED | 1400 | 0.95 | 0.94 | 1.05 |
| | LOW | 1225 | 0.93 | 0.88 | 1.03 |
| | HIGH | 1575 | 0.96 | 1.00 | 1.07 |
| RXC036S3 | RATED | 1400 | 0.95 | 0.92 | 1.06 |
| | LOW | 1225 | 0.93 | 0.86 | 1.05 |
| | HIGH | 1575 | 0.96 | 0.97 | 1.08 |
| RXC037S3 | RATED | 1400 | 0.94 | 0.91 | 1.05 |
| | LOW | 1225 | 0.92 | 0.85 | 1.03 |
| | HIGH | 1575 | 0.95 | 0.97 | 1.07 |
| RXC054S3 | RATED | 1400 | 0.94 | 0.92 | 1.05 |
| | LOW | 1225 | 0.92 | 0.86 | 1.03 |
| | HIGH | 1575 | 0.95 | 0.98 | 1.07 |
| TDD080R9V3+RXC036S3 | RATED | 1400 | 0.94 | 0.92 | 1.04 |
| | LOW | 1225 | 0.92 | 0.86 | 1.02 |
| | HIGH | 1575 | 0.95 | 0.98 | 1.06 |



Performance Data Cooling

4TWX4042B1

CORRECTION FACTORS FOR OTHER COMBINATIONS (MULTIPLY DATA BY FACTOR)

| INDOOR MODEL | | CFM | MBTUH TOT | MBTUH SEN | SYST KW |
|-------------------------------|-------|------|--------------|--------------|------------|
| TDD080R9V3+TXH041A4 | RATED | 1400 | 0.94 | 0.90 | 1.04 |
| | LOW | 1225 | 0.92 | 0.84 | 1.02 |
| | HIGH | 1575 | 0.95 | 0.95 | 1.06 |
| TDD080R9V3+TXH041A4+4AYTXVH-3 | RATED | 1400 | 0.94 | 0.91 | 1.04 |
| | LOW | 1225 | 0.92 | 0.85 | 1.02 |
| | HIGH | 1575 | 0.95 | 0.97 | 1.05 |
| TDD080R9V3+TXH054A4+4AYTXVH-3 | RATED | 1400 | 0.96 | 0.94 | 1.04 |
| | LOW | 1225 | 0.95 | 0.88 | 1.03 |
| | HIGH | 1575 | 0.98 | 1.00 | 1.06 |
| TDD100R9V5+RXC037S3 | RATED | 1400 | 0.95 | 0.94 | 1.01 |
| | LOW | 1225 | 0.93 | 0.88 | 1.00 |
| | HIGH | 1575 | 0.96 | 1.00 | 1.03 |
| TDD100R9V5+RXC054S3 | RATED | 1400 | 0.94 | 0.95 | 1.01 |
| | LOW | 1225 | 0.93 | 0.89 | 1.00 |
| | HIGH | 1575 | 0.96 | 1.01 | 1.03 |
| TDD100R9V5+TXH041A4 | RATED | 1400 | 0.95 | 0.91 | 1.01 |
| | LOW | 1225 | 0.93 | 0.85 | 0.99 |
| | HIGH | 1575 | 0.96 | 0.97 | 1.03 |
| TDD100R9V5+TXH041A4+4AYTXVH-3 | RATED | 1400 | 0.95 | 0.93 | 1.01 |
| | LOW | 1225 | 0.93 | 0.87 | 1.00 |
| | HIGH | 1575 | 0.96 | 0.99 | 1.03 |
| TDD100R9V5+TXH054A4+4AYTXVH-3 | RATED | 1400 | 0.97 | 0.96 | 1.02 |
| | LOW | 1225 | 0.95 | 0.90 | 1.00 |
| | HIGH | 1575 | 0.98 | 1.01 | 1.03 |
| TDD120R9V5+TXH041A4 | RATED | 1400 | 0.94 | 0.92 | 0.99 |
| | LOW | 1225 | 0.92 | 0.86 | 0.98 |
| | HIGH | 1575 | 0.96 | 0.98 | 1.01 |
| TDD120R9V5+TXH041A4+4AYTXVH-3 | RATED | 1400 | 0.95 | 0.94 | 1.00 |
| | LOW | 1225 | 0.93 | 0.88 | 0.98 |
| | HIGH | 1575 | 0.96 | 1.00 | 1.01 |
| TDD120R9V5+TXH054A4+4AYTXVH-3 | RATED | 1400 | 0.97 | 0.97 | 1.01 |
| | LOW | 1225 | 0.95 | 0.90 | 1.00 |
| | HIGH | 1575 | 0.98 | 1.02 | 1.02 |
| TDY080R9V3+TXH033A4 | RATED | 1400 | 0.90 | 0.83 | 1.03 |
| | LOW | 1225 | 0.88 | 0.77 | 1.01 |
| | HIGH | 1575 | 0.91 | 0.88 | 1.05 |
| TDY100R9V4+RXC037S3 | RATED | 1400 | 0.95 | 0.94 | 1.03 |
| | LOW | 1225 | 0.93 | 0.88 | 1.01 |
| | HIGH | 1575 | 0.96 | 1.00 | 1.04 |
| TDY100R9V4+RXC054S3 | RATED | 1400 | 0.94 | 0.94 | 1.02 |
| | LOW | 1225 | 0.92 | 0.88 | 1.01 |
| | HIGH | 1575 | 0.95 | 1.00 | 1.04 |
| TDY100R9V4+TXH041A4 | RATED | 1400 | 0.94 | 0.90 | 1.02 |
| | LOW | 1225 | 0.92 | 0.84 | 1.00 |
| | HIGH | 1575 | 0.96 | 0.96 | 1.04 |
| TDY100R9V4+TXH041A4+4AYTXVH-3 | RATED | 1400 | 0.94 | 0.92 | 1.02 |
| | LOW | 1225 | 0.92 | 0.86 | 1.01 |
| | HIGH | 1575 | 0.95 | 0.97 | 1.04 |
| TDY120R9V5+TXH041A4 | RATED | 1400 | 0.94 | 0.91 | 1.01 |
| | LOW | 1225 | 0.93 | 0.85 | 0.99 |
| | HIGH | 1575 | 0.96 | 0.97 | 1.03 |
| TDY120R9V5+TXH041A4+4AYTXVH-3 | RATED | 1400 | 0.94 | 0.93 | 1.01 |
| | LOW | 1225 | 0.93 | 0.87 | 1.00 |
| | HIGH | 1575 | 0.95 | 0.99 | 1.03 |
| TUD080R9V3+RXC036S3 | RATED | 1400 | 0.93 | 0.91 | 1.06 |
| | LOW | 1225 | 0.92 | 0.85 | 1.04 |
| | HIGH | 1575 | 0.95 | 0.96 | 1.08 |
| TUD080R9V3+TXH041A4 | RATED | 1400 | 0.93 | 0.88 | 1.05 |
| | LOW | 1225 | 0.92 | 0.82 | 1.02 |
| | HIGH | 1575 | 0.95 | 0.94 | 1.07 |
| TUD080R9V3+TXH041A4+4AYTXVH-3 | RATED | 1400 | 0.93 | 0.90 | 1.05 |
| | LOW | 1225 | 0.92 | 0.84 | 1.03 |
| | HIGH | 1575 | 0.94 | 0.95 | 1.07 |

CORRECTION FACTORS FOR OTHER COMBINATIONS (MULTIPLY DATA BY FACTOR)

| INDOOR MODEL | | CFM | MBTUH TOT | MBTUH SEN | SYST KW |
|-------------------------------|-------|------|--------------|--------------|------------|
| TUD080R9V3+TXH054A4+4AYTXVH-3 | RATED | 1400 | 0.96 | 0.93 | 1.05 |
| | LOW | 1225 | 0.94 | 0.87 | 1.04 |
| | HIGH | 1575 | 0.97 | 0.98 | 1.07 |
| TUD100R9V5+RXC037S3 | RATED | 1400 | 0.95 | 0.94 | 1.02 |
| | LOW | 1225 | 0.94 | 0.88 | 1.01 |
| | HIGH | 1575 | 0.97 | 1.00 | 1.04 |
| TUD100R9V5+RXC054S3 | RATED | 1400 | 0.94 | 0.95 | 1.02 |
| | LOW | 1225 | 0.92 | 0.88 | 1.00 |
| | HIGH | 1575 | 0.95 | 1.01 | 1.03 |
| TUD100R9V5+TXH041A4 | RATED | 1400 | 0.94 | 0.91 | 1.02 |
| | LOW | 1225 | 0.92 | 0.85 | 1.00 |
| | HIGH | 1575 | 0.96 | 0.97 | 1.04 |
| TUD100R9V5+TXH041A4+4AYTXVH-3 | RATED | 1400 | 0.94 | 0.92 | 1.02 |
| | LOW | 1225 | 0.93 | 0.86 | 1.00 |
| | HIGH | 1575 | 0.95 | 0.98 | 1.03 |
| TUD100R9V5+TXH054A4+4AYTXVH-3 | RATED | 1400 | 0.97 | 0.95 | 1.02 |
| | LOW | 1225 | 0.95 | 0.89 | 1.01 |
| | HIGH | 1575 | 0.98 | 1.01 | 1.04 |
| TUD120R9V5+TXH041A4 | RATED | 1400 | 0.95 | 0.92 | 1.01 |
| | LOW | 1225 | 0.93 | 0.86 | 0.99 |
| | HIGH | 1575 | 0.96 | 0.98 | 1.02 |
| TUD120R9V5+TXH041A4+4AYTXVH-3 | RATED | 1400 | 0.95 | 0.94 | 1.01 |
| | LOW | 1225 | 0.93 | 0.87 | 0.99 |
| | HIGH | 1575 | 0.96 | 1.00 | 1.02 |
| TUD120R9V5+TXH054A4+4AYTXVH-3 | RATED | 1400 | 0.95 | 0.96 | 1.00 |
| | LOW | 1225 | 0.95 | 0.90 | 1.00 |
| | HIGH | 1575 | 0.98 | 1.02 | 1.02 |
| TUD140R9V5+TXH041A4 | RATED | 1400 | 0.95 | 0.92 | 1.01 |
| | LOW | 1225 | 0.93 | 0.86 | 0.99 |
| | HIGH | 1575 | 0.96 | 0.98 | 1.02 |
| TUD140R9V5+TXH041A4+4AYTXVH-3 | RATED | 1400 | 0.95 | 0.94 | 1.01 |
| | LOW | 1225 | 0.93 | 0.88 | 0.99 |
| | HIGH | 1575 | 0.96 | 1.00 | 1.02 |
| TUD140R9V5+TXH054A4+4AYTXVH-3 | RATED | 1400 | 0.97 | 0.96 | 1.01 |
| | LOW | 1225 | 0.95 | 0.90 | 1.00 |
| | HIGH | 1575 | 0.98 | 1.02 | 1.03 |
| TUY080R9V3+RXC036S3 | RATED | 1400 | 0.95 | 0.93 | 1.04 |
| | LOW | 1225 | 0.94 | 0.87 | 1.02 |
| | HIGH | 1575 | 0.96 | 0.99 | 1.05 |
| TUY080R9V3+TXH041A4 | RATED | 1400 | 0.94 | 0.91 | 1.02 |
| | LOW | 1225 | 0.93 | 0.84 | 1.00 |
| | HIGH | 1575 | 0.96 | 0.96 | 1.04 |
| TUY080R9V3+TXH041A4+4AYTXVH-3 | RATED | 1400 | 0.94 | 0.92 | 1.03 |
| | LOW | 1225 | 0.93 | 0.86 | 1.01 |
| | HIGH | 1575 | 0.95 | 0.98 | 1.04 |
| TUY080R9V3+TXH054A4+4AYTXVH-3 | RATED | 1400 | 0.96 | 0.95 | 1.03 |
| | LOW | 1225 | 0.95 | 0.89 | 1.02 |
| | HIGH | 1575 | 0.98 | 1.01 | 1.05 |
| TUY100R9V4+RXC037S3 | RATED | 1400 | 0.95 | 0.95 | 1.02 |
| | LOW | 1225 | 0.94 | 0.88 | 1.00 |
| | HIGH | 1575 | 0.97 | 1.01 | 1.03 |
| TUY100R9V4+RXC054S3 | RATED | 1400 | 0.95 | 0.96 | 1.02 |
| | LOW | 1225 | 0.93 | 0.89 | 1.00 |
| | HIGH | 1575 | 0.97 | 1.02 | 1.03 |
| TUY100R9V4+TXH041A4 | RATED | 1400 | 0.94 | 0.91 | 1.01 |
| | LOW | 1225 | 0.92 | 0.85 | 0.99 |
| | HIGH | 1575 | 0.96 | 0.97 | 1.03 |
| TUY100R9V4+TXH041A4+4AYTXVH-3 | RATED | 1400 | 0.94 | 0.93 | 1.01 |
| | LOW | 1225 | 0.92 | 0.87 | 1.00 |
| | HIGH | 1575 | 0.95 | 0.99 | 1.03 |
| TUY100R9V4+TXH054A4+4AYTXVH-3 | RATED | 1400 | 0.96 | 0.96 | 1.01 |
| | LOW | 1225 | 0.95 | 0.90 | 1.00 |
| | HIGH | 1575 | 0.98 | 1.01 | 1.02 |



Performance Data Cooling

4TWX4042B1

CORRECTION FACTORS FOR OTHER COMBINATIONS (MULTIPLY DATA BY FACTOR)

| INDOOR MODEL | | CFM | MBTUH TOT | MBTUH SEN | SYST KW |
|-------------------------------|-------|------|--------------|--------------|------------|
| TUY120R9V5+TXH041A4 | RATED | 1400 | 0.95 | 0.92 | 1.00 |
| | LOW | 1225 | 0.93 | 0.85 | 0.98 |
| | HIGH | 1575 | 0.96 | 0.98 | 1.02 |
| TUY120R9V5+TXH041A4+4AYTXVH-3 | RATED | 1400 | 0.94 | 0.93 | 1.00 |
| | LOW | 1225 | 0.93 | 0.87 | 0.99 |
| | HIGH | 1575 | 0.95 | 0.99 | 1.02 |
| TUY120R9V5+TXH054A4+4AYTXVH-3 | RATED | 1400 | 0.97 | 0.96 | 1.01 |
| | LOW | 1225 | 0.95 | 0.90 | 1.00 |
| | HIGH | 1575 | 0.98 | 1.02 | 1.03 |
| TWE036C14+4AYTXVH-3 | RATED | 1400 | 0.89 | 0.82 | 1.06 |
| | LOW | 1225 | 0.88 | 0.77 | 1.04 |
| | HIGH | 1575 | 0.90 | 0.86 | 1.08 |
| TWE042C14+4AYTXVH-3 | RATED | 1400 | 0.91 | 0.85 | 1.08 |
| | LOW | 1225 | 0.90 | 0.80 | 1.06 |
| | HIGH | 1575 | 0.92 | 0.90 | 1.10 |
| TWE048C14 | RATED | 1400 | 0.94 | 0.88 | 1.06 |
| | LOW | 1225 | 0.92 | 0.82 | 1.04 |
| | HIGH | 1575 | 0.95 | 0.93 | 1.09 |
| TWE048C14+4AYTXVH-3 | RATED | 1400 | 0.94 | 0.90 | 1.06 |
| | LOW | 1225 | 0.92 | 0.84 | 1.04 |
| | HIGH | 1575 | 0.95 | 0.95 | 1.08 |
| TXA035C4+4AYTXVH-3 | RATED | 1400 | 0.88 | 0.84 | 1.04 |
| | LOW | 1225 | 0.87 | 0.78 | 1.02 |
| | HIGH | 1575 | 0.89 | 0.89 | 1.06 |
| TXA036C4+4AYTXVH-3 | RATED | 1400 | 0.91 | 0.87 | 1.05 |
| | LOW | 1225 | 0.89 | 0.81 | 1.03 |
| | HIGH | 1575 | 0.92 | 0.92 | 1.07 |
| TXA036C4+BAY24X045 | RATED | 1400 | 0.91 | 0.85 | 1.05 |
| | LOW | 1225 | 0.89 | 0.80 | 1.02 |
| | HIGH | 1575 | 0.92 | 0.90 | 1.07 |
| TXA037C4+4AYTXVH-3 | RATED | 1400 | 0.91 | 0.87 | 1.06 |
| | LOW | 1225 | 0.90 | 0.81 | 1.04 |
| | HIGH | 1575 | 0.92 | 0.92 | 1.07 |
| TXA037C4+BAY24X045 | RATED | 1400 | 0.91 | 0.85 | 1.06 |
| | LOW | 1225 | 0.89 | 0.80 | 1.03 |
| | HIGH | 1575 | 0.93 | 0.90 | 1.08 |
| TXA042C4 | RATED | 1400 | 0.91 | 0.87 | 1.05 |
| | LOW | 1225 | 0.89 | 0.81 | 1.02 |
| | HIGH | 1575 | 0.92 | 0.92 | 1.07 |
| TXA042C4+4AYTXVH-3 | RATED | 1400 | 0.92 | 0.88 | 1.05 |
| | LOW | 1225 | 0.90 | 0.83 | 1.04 |
| | HIGH | 1575 | 0.93 | 0.94 | 1.07 |
| TXA042C4+BAY24X045 | RATED | 1400 | 0.91 | 0.87 | 1.05 |
| | LOW | 1225 | 0.89 | 0.81 | 1.02 |
| | HIGH | 1575 | 0.92 | 0.92 | 1.07 |
| TXA043C4+4AYTXVH-3 | RATED | 1400 | 0.91 | 0.88 | 1.05 |
| | LOW | 1225 | 0.90 | 0.82 | 1.03 |
| | HIGH | 1575 | 0.92 | 0.94 | 1.06 |
| TXA043C4+BAY24X045 | RATED | 1400 | 0.91 | 0.87 | 1.05 |
| | LOW | 1225 | 0.89 | 0.81 | 1.02 |
| | HIGH | 1575 | 0.93 | 0.92 | 1.07 |
| TXA048C4+4AYTXVH-3 | RATED | 1400 | 0.93 | 0.91 | 1.05 |
| | LOW | 1225 | 0.91 | 0.85 | 1.03 |
| | HIGH | 1575 | 0.94 | 0.97 | 1.07 |
| TXA048C4+BAY24X045 | RATED | 1400 | 0.93 | 0.89 | 1.06 |
| | LOW | 1225 | 0.91 | 0.83 | 1.03 |
| | HIGH | 1575 | 0.94 | 0.95 | 1.08 |
| TXA049C4+4AYTXVH-3 | RATED | 1400 | 0.92 | 0.91 | 1.05 |
| | LOW | 1225 | 0.91 | 0.85 | 1.03 |
| | HIGH | 1575 | 0.94 | 0.96 | 1.07 |
| TXA049C4+BAY24X045 | RATED | 1400 | 0.94 | 0.89 | 1.06 |
| | LOW | 1225 | 0.91 | 0.83 | 1.04 |
| | HIGH | 1575 | 0.95 | 0.95 | 1.09 |
| TXH041A4+4AYTXVH-3 | RATED | 1400 | 0.94 | 0.90 | 1.06 |
| | LOW | 1225 | 0.92 | 0.84 | 1.04 |
| | HIGH | 1575 | 0.95 | 0.95 | 1.08 |

CORRECTION FACTORS FOR OTHER COMBINATIONS (MULTIPLY DATA BY FACTOR)

| INDOOR MODEL | | CFM | MBTUH TOT | MBTUH SEN | SYST KW |
|--------------------|-------|------|--------------|--------------|------------|
| TXA050C4+4AYTXVH-3 | RATED | 1400 | 0.92 | 0.91 | 1.05 |
| | LOW | 1225 | 0.91 | 0.85 | 1.03 |
| | HIGH | 1575 | 0.94 | 0.96 | 1.07 |
| TXA050C4+BAY24X045 | RATED | 1400 | 0.94 | 0.89 | 1.06 |
| | LOW | 1225 | 0.92 | 0.83 | 1.04 |
| | HIGH | 1575 | 0.95 | 0.95 | 1.09 |
| TXC035C4+4AYTXVH-3 | RATED | 1400 | 0.88 | 0.84 | 1.04 |
| | LOW | 1225 | 0.87 | 0.78 | 1.02 |
| | HIGH | 1575 | 0.89 | 0.89 | 1.06 |
| TXC035D4+4AYTXVH-3 | RATED | 1400 | 0.88 | 0.84 | 1.04 |
| | LOW | 1225 | 0.87 | 0.78 | 1.02 |
| | HIGH | 1575 | 0.89 | 0.89 | 1.06 |
| TXC036C4+4AYTXVH-3 | RATED | 1400 | 0.91 | 0.87 | 1.05 |
| | LOW | 1225 | 0.89 | 0.81 | 1.03 |
| | HIGH | 1575 | 0.92 | 0.92 | 1.07 |
| TXC036C4+BAY24X045 | RATED | 1400 | 0.91 | 0.85 | 1.05 |
| | LOW | 1225 | 0.89 | 0.80 | 1.02 |
| | HIGH | 1575 | 0.92 | 0.90 | 1.07 |
| TXC036D4+4AYTXVH-3 | RATED | 1400 | 0.91 | 0.87 | 1.05 |
| | LOW | 1225 | 0.89 | 0.81 | 1.03 |
| | HIGH | 1575 | 0.92 | 0.92 | 1.07 |
| TXC036D4+BAY24X045 | RATED | 1400 | 0.91 | 0.85 | 1.05 |
| | LOW | 1225 | 0.89 | 0.80 | 1.02 |
| | HIGH | 1575 | 0.92 | 0.90 | 1.07 |
| TXC037C4+4AYTXVH-3 | RATED | 1400 | 0.91 | 0.87 | 1.06 |
| | LOW | 1225 | 0.90 | 0.81 | 1.04 |
| | HIGH | 1575 | 0.92 | 0.92 | 1.07 |
| TXC037C4+BAY24X045 | RATED | 1400 | 0.91 | 0.85 | 1.06 |
| | LOW | 1225 | 0.89 | 0.80 | 1.03 |
| | HIGH | 1575 | 0.93 | 0.90 | 1.08 |
| TXC042C4+4AYTXVH-3 | RATED | 1400 | 0.92 | 0.88 | 1.05 |
| | LOW | 1225 | 0.90 | 0.83 | 1.04 |
| | HIGH | 1575 | 0.93 | 0.94 | 1.07 |
| TXC042C4+BAY24X045 | RATED | 1400 | 0.91 | 0.87 | 1.05 |
| | LOW | 1225 | 0.89 | 0.81 | 1.02 |
| | HIGH | 1575 | 0.92 | 0.92 | 1.07 |
| TXC043C4+4AYTXVH-3 | RATED | 1400 | 0.91 | 0.88 | 1.05 |
| | LOW | 1225 | 0.90 | 0.82 | 1.03 |
| | HIGH | 1575 | 0.92 | 0.94 | 1.06 |
| TXC043C4+BAY24X045 | RATED | 1400 | 0.91 | 0.87 | 1.05 |
| | LOW | 1225 | 0.89 | 0.81 | 1.02 |
| | HIGH | 1575 | 0.93 | 0.92 | 1.07 |
| TXC048C4+4AYTXVH-3 | RATED | 1400 | 0.93 | 0.91 | 1.05 |
| | LOW | 1225 | 0.91 | 0.85 | 1.03 |
| | HIGH | 1575 | 0.94 | 0.97 | 1.07 |
| TXC048C4+BAY24X045 | RATED | 1400 | 0.93 | 0.89 | 1.06 |
| | LOW | 1225 | 0.91 | 0.83 | 1.03 |
| | HIGH | 1575 | 0.94 | 0.95 | 1.08 |
| TXC049C4+4AYTXVH-3 | RATED | 1400 | 0.92 | 0.91 | 1.05 |
| | LOW | 1225 | 0.91 | 0.85 | 1.03 |
| | HIGH | 1575 | 0.94 | 0.96 | 1.07 |
| TXC049C4+BAY24X045 | RATED | 1400 | 0.94 | 0.89 | 1.06 |
| | LOW | 1225 | 0.92 | 0.83 | 1.04 |
| | HIGH | 1575 | 0.95 | 0.95 | 1.09 |
| TXC050C4+4AYTXVH-3 | RATED | 1400 | 0.92 | 0.91 | 1.05 |
| | LOW | 1225 | 0.91 | 0.85 | 1.03 |
| | HIGH | 1575 | 0.94 | 0.96 | 1.07 |
| TXC050C4+BAY24X045 | RATED | 1400 | 0.94 | 0.89 | 1.06 |
| | LOW | 1225 | 0.92 | 0.83 | 1.04 |
| | HIGH | 1575 | 0.95 | 0.95 | 1.09 |
| TXH041A4+4AYTXVH-3 | RATED | 1400 | 0.94 | 0.90 | 1.06 |
| | LOW | 1225 | 0.92 | 0.84 | 1.04 |
| | HIGH | 1575 | 0.95 | 0.95 | 1.08 |



Performance Data Cooling

4TWX4042B1

CORRECTION FACTORS FOR OTHER COMBINATIONS (MULTIPLY DATA BY FACTOR)

| INDOOR MODEL | | CFM | MBTUH TOT | MBTUH SEN | SYST KW |
|--------------------|-------|------|--------------|--------------|------------|
| TXH041A4+BAY24X045 | RATED | 1400 | 0.94 | 0.88 | 1.06 |
| | LOW | 1225 | 0.92 | 0.82 | 1.04 |
| | HIGH | 1575 | 0.95 | 0.93 | 1.09 |

CORRECTION FACTORS FOR OTHER COMBINATIONS (MULTIPLY DATA BY FACTOR)

| INDOOR MODEL | | CFM | MBTUH TOT | MBTUH SEN | SYST KW |
|--------------------|-------|------|--------------|--------------|------------|
| TXH054A4+4AYTXVH-3 | RATED | 1400 | 0.96 | 0.93 | 1.06 |
| | LOW | 1225 | 0.94 | 0.87 | 1.04 |
| | HIGH | 1575 | 0.97 | 0.98 | 1.08 |

4TWX4048B1

4TWX4048B1 WITH 4TEE3F49A1 AT 1600 CFM

| O.D. D.B. | I.D. W.B. | TOT. CAP. | SENS. CAP. AT ENTERING D.B. TEMP. | | | | TOTAL KW |
|--------------|--------------|--------------|-----------------------------------|------|------|------|-------------|
| | | | 72 | 75 | 78 | 80 | |
| 85 | 59 | 48.0 | 37.5 | 41.9 | 46.2 | 48.0 | 3.88 |
| | 63 | 49.7 | 30.8 | 35.4 | 40.0 | 42.9 | 3.89 |
| | 67 | 53.0 | 24.5 | 29.2 | 33.8 | 36.9 | 3.94 |
| | 71 | 56.7 | 18.1 | 22.7 | 27.4 | 30.5 | 3.95 |
| 95 | 59 | 46.3 | 36.9 | 41.3 | 45.7 | 46.3 | 4.40 |
| | 63 | 47.9 | 30.3 | 34.8 | 39.4 | 42.3 | 4.42 |
| | 67 | 51.1 | 23.8 | 28.5 | 33.2 | 36.2 | 4.47 |
| | 71 | 54.6 | 17.4 | 22.0 | 26.8 | 29.9 | 4.48 |
| 105 | 59 | 44.0 | 36.1 | 40.5 | 44.0 | 44.0 | 4.97 |
| | 63 | 45.6 | 29.4 | 34.0 | 38.6 | 41.5 | 4.99 |
| | 67 | 48.6 | 23.0 | 27.7 | 32.4 | 35.4 | 5.05 |
| | 71 | 51.9 | 16.5 | 21.2 | 25.9 | 29.1 | 5.06 |
| 115 | 59 | 40.8 | 34.9 | 39.3 | 40.8 | 40.8 | 5.60 |
| | 63 | 42.3 | 28.3 | 32.9 | 37.4 | 40.4 | 5.62 |
| | 67 | 45.1 | 21.8 | 26.6 | 31.3 | 34.3 | 5.68 |
| | 71 | 48.2 | 15.3 | 20.0 | 24.8 | 27.9 | 5.70 |

CORRECTION FACTORS FOR OTHER AIRFLOWS (MULTIPLY DATA BY FACTOR)

| | AIRFLOW | TOTAL CAPACITY | SENSIBLE CAPACITY |
|------|---------|----------------|-------------------|
| LOW | 1400 | 0.98 | 0.94 |
| HIGH | 1800 | 1.01 | 1.06 |

NOTE: ALL TABLES ABOVE ARE AT ARI RATING CONDITIONS RATED WITH 25 FEET OF REFRIGERANT LINES.
 * DRY COIL CONDITION (TOTAL CAPACITY = SENSIBLE CAPACITY)
 TOTAL CAPACITY, COMP. KW AND APP. DEW PT. ARE VALID ONLY FOR WET COIL. ALL TEMPERATURES IN DEGREES F.

CORRECTION FACTORS FOR OTHER COMBINATIONS (MULTIPLY DATA BY FACTOR)

| INDOOR MODEL | | CFM | MBTUH TOT | MBTUH SEN | SYST KW |
|--------------|-------|------|--------------|--------------|------------|
| 4TEP3F42A1 | RATED | 1600 | 0.92 | 0.89 | 1.04 |
| | LOW | 1400 | 0.91 | 0.83 | 1.02 |
| | HIGH | 1800 | 0.93 | 0.94 | 1.06 |
| 4TEP3F48B1 | RATED | 1600 | 0.94 | 0.95 | 1.03 |
| | LOW | 1400 | 0.93 | 0.88 | 1.01 |
| | HIGH | 1800 | 0.96 | 1.00 | 1.05 |
| 4TEP3F63B1 | RATED | 1600 | 0.94 | 0.94 | 1.04 |
| | LOW | 1400 | 0.93 | 0.88 | 1.02 |
| | HIGH | 1800 | 0.96 | 1.00 | 1.06 |
| RXA060S3 | RATED | 1600 | 0.92 | 0.93 | 1.03 |
| | LOW | 1400 | 0.91 | 0.87 | 1.01 |
| | HIGH | 1800 | 0.94 | 0.99 | 1.05 |
| RXA061S3 | RATED | 1600 | 0.94 | 0.94 | 1.04 |
| | LOW | 1400 | 0.93 | 0.88 | 1.02 |
| | HIGH | 1800 | 0.96 | 1.00 | 1.06 |
| RXC054S3 | RATED | 1600 | 0.92 | 0.92 | 1.03 |
| | LOW | 1400 | 0.91 | 0.86 | 1.01 |
| | HIGH | 1800 | 0.94 | 0.98 | 1.05 |
| RXC060S3 | RATED | 1600 | 0.92 | 0.93 | 1.03 |
| | LOW | 1400 | 0.91 | 0.87 | 1.01 |
| | HIGH | 1800 | 0.94 | 0.99 | 1.05 |

CORRECTION FACTORS FOR OTHER COMBINATIONS (MULTIPLY DATA BY FACTOR)

| INDOOR MODEL | | CFM | MBTUH TOT | MBTUH SEN | SYST KW |
|-------------------------------|-------|------|--------------|--------------|------------|
| RXC061S3 | RATED | 1600 | 0.94 | 0.94 | 1.04 |
| | LOW | 1400 | 0.93 | 0.88 | 1.02 |
| | HIGH | 1800 | 0.96 | 1.00 | 1.06 |
| RXC065S3 | RATED | 1600 | 0.94 | 0.95 | 1.04 |
| | LOW | 1400 | 0.93 | 0.89 | 1.02 |
| | HIGH | 1800 | 0.96 | 1.01 | 1.06 |
| RXH063S3 | RATED | 1600 | 0.97 | 0.96 | 1.03 |
| | LOW | 1400 | 0.96 | 0.90 | 1.01 |
| | HIGH | 1800 | 0.99 | 1.01 | 1.05 |
| TDD100R9V5+RXC037S3 | RATED | 1600 | 0.94 | 0.92 | 1.02 |
| | LOW | 1400 | 0.93 | 0.87 | 1.00 |
| | HIGH | 1800 | 0.95 | 0.98 | 1.03 |
| TDD100R9V5+RXC054S3 | RATED | 1600 | 0.93 | 0.93 | 1.02 |
| | LOW | 1400 | 0.92 | 0.87 | 1.00 |
| | HIGH | 1800 | 0.94 | 0.99 | 1.03 |
| TDD100R9V5+RXH063S3 | RATED | 1600 | 0.98 | 0.98 | 1.01 |
| | LOW | 1400 | 0.96 | 0.92 | 0.99 |
| | HIGH | 1800 | 0.99 | 1.04 | 1.02 |
| TDD100R9V5+TXH041A4 | RATED | 1600 | 0.93 | 0.89 | 1.01 |
| | LOW | 1400 | 0.91 | 0.83 | 0.98 |
| | HIGH | 1800 | 0.95 | 0.95 | 1.03 |
| TDD100R9V5+TXH041A4+4AYTXVH-3 | RATED | 1600 | 0.93 | 0.91 | 1.02 |
| | LOW | 1400 | 0.92 | 0.85 | 1.00 |
| | HIGH | 1800 | 0.94 | 0.96 | 1.03 |
| TDD100R9V5+TXH054A4 | RATED | 1600 | 0.96 | 0.92 | 1.03 |
| | LOW | 1400 | 0.94 | 0.86 | 1.00 |
| | HIGH | 1800 | 0.98 | 0.98 | 1.05 |
| TDD100R9V5+TXH054A4+4AYTXVH-3 | RATED | 1600 | 0.95 | 0.93 | 1.01 |
| | LOW | 1400 | 0.94 | 0.88 | 0.99 |
| | HIGH | 1800 | 0.96 | 0.99 | 1.02 |
| TDD120R9V5+RXH063S3 | RATED | 1600 | 0.98 | 0.99 | 0.99 |
| | LOW | 1400 | 0.97 | 0.93 | 0.98 |
| | HIGH | 1800 | 1.00 | 1.05 | 1.01 |
| TDD120R9V5+TXH041A4 | RATED | 1600 | 0.94 | 0.90 | 1.00 |
| | LOW | 1400 | 0.92 | 0.84 | 0.98 |
| | HIGH | 1800 | 0.96 | 0.96 | 1.02 |
| TDD120R9V5+TXH041A4+4AYTXVH-3 | RATED | 1600 | 0.93 | 0.92 | 0.99 |
| | LOW | 1400 | 0.92 | 0.86 | 0.97 |
| | HIGH | 1800 | 0.94 | 0.97 | 1.00 |
| TDD120R9V5+TXH054A4 | RATED | 1600 | 0.97 | 0.93 | 1.02 |
| | LOW | 1400 | 0.95 | 0.88 | 1.00 |
| | HIGH | 1800 | 0.99 | 0.99 | 1.04 |
| TDD120R9V5+TXH054A4+4AYTXVH-3 | RATED | 1600 | 0.96 | 0.95 | 1.01 |
| | LOW | 1400 | 0.94 | 0.89 | 0.99 |
| | HIGH | 1800 | 0.97 | 1.00 | 1.02 |
| TDY100R9V4+RXC037S3 | RATED | 1600 | 0.94 | 0.91 | 1.03 |
| | LOW | 1400 | 0.92 | 0.85 | 1.01 |
| | HIGH | 1800 | 0.95 | 0.97 | 1.05 |
| TDY100R9V4+RXC054S3 | RATED | 1600 | 0.93 | 0.92 | 1.02 |
| | LOW | 1400 | 0.91 | 0.86 | 1.00 |
| | HIGH | 1800 | 0.94 | 0.98 | 1.04 |



Performance Data Cooling

4TWX4048B1

CORRECTION FACTORS FOR OTHER COMBINATIONS (MULTIPLY DATA BY FACTOR)

| INDOOR MODEL | | CFM | MBTUH TOT | MBTUH SEN | SYST KW |
|-------------------------------|-------|------|--------------|--------------|------------|
| TDY100R9V4+RXH063S3 | RATED | 1600 | 0.98 | 0.97 | 1.02 |
| | LOW | 1400 | 0.96 | 0.91 | 1.00 |
| | HIGH | 1800 | 0.99 | 1.02 | 1.04 |
| TDY100R9V4+TXH041A4 | RATED | 1600 | 0.93 | 0.88 | 1.02 |
| | LOW | 1400 | 0.91 | 0.82 | 1.00 |
| | HIGH | 1800 | 0.94 | 0.93 | 1.05 |
| TDY100R9V4+TXH041A4+4AYTXVH-3 | RATED | 1600 | 0.93 | 0.89 | 1.02 |
| | LOW | 1400 | 0.91 | 0.84 | 1.00 |
| | HIGH | 1800 | 0.94 | 0.95 | 1.04 |
| TDY100R9V4+TXH054A4 | RATED | 1600 | 0.96 | 0.91 | 1.04 |
| | LOW | 1400 | 0.94 | 0.85 | 1.01 |
| | HIGH | 1800 | 0.97 | 0.96 | 1.06 |
| TDY100R9V4+TXH054A4+4AYTXVH-3 | RATED | 1600 | 0.95 | 0.92 | 1.03 |
| | LOW | 1400 | 0.94 | 0.87 | 1.01 |
| | HIGH | 1800 | 0.97 | 0.98 | 1.05 |
| TDY120R9V5+RXH063S3 | RATED | 1600 | 0.98 | 0.98 | 1.01 |
| | LOW | 1400 | 0.96 | 0.92 | 0.99 |
| | HIGH | 1800 | 0.99 | 1.04 | 1.02 |
| TDY120R9V5+TXH041A4 | RATED | 1600 | 0.93 | 0.89 | 1.01 |
| | LOW | 1400 | 0.91 | 0.83 | 0.98 |
| | HIGH | 1800 | 0.95 | 0.95 | 1.03 |
| TDY120R9V5+TXH041A4+4AYTXVH-3 | RATED | 1600 | 0.93 | 0.91 | 1.00 |
| | LOW | 1400 | 0.91 | 0.85 | 0.98 |
| | HIGH | 1800 | 0.94 | 0.96 | 1.02 |
| TDY120R9V5+TXH054A4 | RATED | 1600 | 0.97 | 0.93 | 1.03 |
| | LOW | 1400 | 0.95 | 0.87 | 1.01 |
| | HIGH | 1800 | 0.98 | 0.98 | 1.05 |
| TDY120R9V5+TXH054A4+4AYTXVH-3 | RATED | 1600 | 0.96 | 0.94 | 1.01 |
| | LOW | 1400 | 0.94 | 0.88 | 1.00 |
| | HIGH | 1800 | 0.97 | 0.99 | 1.03 |
| TUD100R9V5+RXC037S3 | RATED | 1600 | 0.94 | 0.92 | 1.02 |
| | LOW | 1400 | 0.92 | 0.86 | 1.00 |
| | HIGH | 1800 | 0.95 | 0.97 | 1.04 |
| TUD100R9V5+RXC054S3 | RATED | 1600 | 0.93 | 0.93 | 1.01 |
| | LOW | 1400 | 0.91 | 0.87 | 0.99 |
| | HIGH | 1800 | 0.94 | 0.99 | 1.03 |
| TUD100R9V5+RXH063S3 | RATED | 1600 | 0.98 | 0.97 | 1.01 |
| | LOW | 1400 | 0.96 | 0.91 | 1.00 |
| | HIGH | 1800 | 0.99 | 1.03 | 1.03 |
| TUD100R9V5+TXH041A4 | RATED | 1600 | 0.93 | 0.89 | 1.01 |
| | LOW | 1400 | 0.91 | 0.83 | 0.99 |
| | HIGH | 1800 | 0.94 | 0.94 | 1.03 |
| TUD100R9V5+TXH041A4+4AYTXVH-3 | RATED | 1600 | 0.93 | 0.90 | 1.01 |
| | LOW | 1400 | 0.91 | 0.85 | 1.00 |
| | HIGH | 1800 | 0.94 | 0.96 | 1.03 |
| TUD100R9V5+TXH054A4 | RATED | 1600 | 0.97 | 0.92 | 1.04 |
| | LOW | 1400 | 0.95 | 0.86 | 1.02 |
| | HIGH | 1800 | 0.98 | 0.97 | 1.07 |
| TUD100R9V5+TXH054A4+4AYTXVH-3 | RATED | 1600 | 0.95 | 0.93 | 1.01 |
| | LOW | 1400 | 0.93 | 0.87 | 1.00 |
| | HIGH | 1800 | 0.96 | 0.98 | 1.03 |
| TUD120R9V5+RXC065S3 | RATED | 1600 | 0.95 | 0.98 | 1.00 |
| | LOW | 1400 | 0.93 | 0.91 | 0.98 |
| | HIGH | 1800 | 0.96 | 1.04 | 1.01 |
| TUD120R9V5+RXH063S3 | RATED | 1600 | 0.98 | 0.98 | 1.00 |
| | LOW | 1400 | 0.96 | 0.92 | 0.98 |
| | HIGH | 1800 | 1.00 | 1.04 | 1.01 |
| TUD120R9V5+TXH041A4 | RATED | 1600 | 0.93 | 0.90 | 1.00 |
| | LOW | 1400 | 0.91 | 0.84 | 0.97 |
| | HIGH | 1800 | 0.95 | 0.95 | 1.02 |
| TUD120R9V5+TXH041A4+4AYTXVH-3 | RATED | 1600 | 0.93 | 0.91 | 1.00 |
| | LOW | 1400 | 0.92 | 0.86 | 0.98 |
| | HIGH | 1800 | 0.94 | 0.97 | 1.01 |

CORRECTION FACTORS FOR OTHER COMBINATIONS (MULTIPLY DATA BY FACTOR)

| INDOOR MODEL | | CFM | MBTUH TOT | MBTUH SEN | SYST KW |
|-------------------------------|-------|------|--------------|--------------|------------|
| TUD120R9V5+TXH054A4 | RATED | 1600 | 0.97 | 0.93 | 1.03 |
| | LOW | 1400 | 0.95 | 0.87 | 1.00 |
| | HIGH | 1800 | 0.99 | 0.99 | 1.05 |
| TUD120R9V5+TXH054A4+4AYTXVH-3 | RATED | 1600 | 0.96 | 0.94 | 1.01 |
| | LOW | 1400 | 0.95 | 0.89 | 0.99 |
| | HIGH | 1800 | 0.97 | 1.00 | 1.02 |
| TUD140R9V5+RXC065S3 | RATED | 1600 | 0.95 | 0.98 | 1.00 |
| | LOW | 1400 | 0.94 | 0.91 | 0.99 |
| | HIGH | 1800 | 0.97 | 1.04 | 1.02 |
| TUD140R9V5+RXH063S3 | RATED | 1600 | 0.98 | 0.99 | 1.00 |
| | LOW | 1400 | 0.97 | 0.92 | 0.98 |
| | HIGH | 1800 | 1.00 | 1.05 | 1.01 |
| TUD140R9V5+TXH041A4 | RATED | 1600 | 0.93 | 0.90 | 1.00 |
| | LOW | 1400 | 0.91 | 0.84 | 0.98 |
| | HIGH | 1800 | 0.95 | 0.96 | 1.02 |
| TUD140R9V5+TXH041A4+4AYTXVH-3 | RATED | 1600 | 0.93 | 0.92 | 1.00 |
| | LOW | 1400 | 0.92 | 0.86 | 0.98 |
| | HIGH | 1800 | 0.95 | 0.97 | 1.01 |
| TUD140R9V5+TXH054A4 | RATED | 1600 | 0.96 | 0.93 | 1.01 |
| | LOW | 1400 | 0.94 | 0.87 | 0.99 |
| | HIGH | 1800 | 0.98 | 0.98 | 1.03 |
| TUD140R9V5+TXH054A4+4AYTXVH-3 | RATED | 1600 | 0.95 | 0.94 | 1.00 |
| | LOW | 1400 | 0.94 | 0.88 | 0.99 |
| | HIGH | 1800 | 0.97 | 1.00 | 1.02 |
| TUY100R9V4+RXC037S3 | RATED | 1600 | 0.94 | 0.92 | 1.02 |
| | LOW | 1400 | 0.92 | 0.86 | 1.00 |
| | HIGH | 1800 | 0.95 | 0.98 | 1.04 |
| TUY100R9V4+RXC054S3 | RATED | 1600 | 0.93 | 0.93 | 1.01 |
| | LOW | 1400 | 0.91 | 0.87 | 0.99 |
| | HIGH | 1800 | 0.94 | 0.99 | 1.03 |
| TUY100R9V4+RXH063S3 | RATED | 1600 | 0.98 | 0.97 | 1.01 |
| | LOW | 1400 | 0.96 | 0.91 | 0.99 |
| | HIGH | 1800 | 0.99 | 1.03 | 1.03 |
| TUY100R9V4+TXH041A4 | RATED | 1600 | 0.93 | 0.89 | 1.02 |
| | LOW | 1400 | 0.91 | 0.83 | 0.99 |
| | HIGH | 1800 | 0.95 | 0.94 | 1.04 |
| TUY100R9V4+TXH041A4+4AYTXVH-3 | RATED | 1600 | 0.93 | 0.90 | 1.01 |
| | LOW | 1400 | 0.91 | 0.85 | 0.99 |
| | HIGH | 1800 | 0.94 | 0.96 | 1.03 |
| TUY100R9V4+TXH054A4 | RATED | 1600 | 0.96 | 0.92 | 1.03 |
| | LOW | 1400 | 0.94 | 0.86 | 1.01 |
| | HIGH | 1800 | 0.97 | 0.97 | 1.05 |
| TUY100R9V4+TXH054A4+4AYTXVH-3 | RATED | 1600 | 0.96 | 0.93 | 1.02 |
| | LOW | 1400 | 0.94 | 0.88 | 1.01 |
| | HIGH | 1800 | 0.97 | 0.99 | 1.04 |
| TUY120R9V5+RXC065S3 | RATED | 1600 | 0.95 | 0.97 | 1.00 |
| | LOW | 1400 | 0.93 | 0.91 | 0.99 |
| | HIGH | 1800 | 0.96 | 1.03 | 1.02 |
| TUY120R9V5+RXH063S3 | RATED | 1600 | 0.98 | 0.98 | 1.00 |
| | LOW | 1400 | 0.96 | 0.92 | 0.99 |
| | HIGH | 1800 | 1.00 | 1.04 | 1.02 |
| TUY120R9V5+TXH041A4 | RATED | 1600 | 0.93 | 0.90 | 1.00 |
| | LOW | 1400 | 0.91 | 0.84 | 0.98 |
| | HIGH | 1800 | 0.95 | 0.95 | 1.02 |
| TUY120R9V5+TXH041A4+4AYTXVH-3 | RATED | 1600 | 0.93 | 0.91 | 1.00 |
| | LOW | 1400 | 0.91 | 0.85 | 0.99 |
| | HIGH | 1800 | 0.94 | 0.97 | 1.02 |
| TUY120R9V5+TXH054A4 | RATED | 1600 | 0.97 | 0.93 | 1.02 |
| | LOW | 1400 | 0.95 | 0.87 | 1.00 |
| | HIGH | 1800 | 0.98 | 0.98 | 1.04 |
| TUY120R9V5+TXH054A4+4AYTXVH-3 | RATED | 1600 | 0.96 | 0.94 | 1.00 |
| | LOW | 1400 | 0.94 | 0.88 | 0.99 |
| | HIGH | 1800 | 0.97 | 1.00 | 1.02 |



Performance Data Cooling

4TWX4048B1

CORRECTION FACTORS FOR OTHER COMBINATIONS (MULTIPLY DATA BY FACTOR)

| INDOOR MODEL | | CFM | MBTUH TOT | MBTUH SEN | SYST KW |
|---------------------|-------|------|--------------|--------------|------------|
| TWE042C14 | RATED | 1600 | 0.91 | 0.83 | 1.05 |
| | LOW | 1400 | 0.89 | 0.77 | 1.02 |
| | HIGH | 1800 | 0.92 | 0.87 | 1.07 |
| TWE042C14+4AYTXVH-3 | RATED | 1600 | 0.91 | 0.84 | 1.05 |
| | LOW | 1400 | 0.89 | 0.79 | 1.03 |
| | HIGH | 1800 | 0.92 | 0.89 | 1.07 |
| TWE048C14 | RATED | 1600 | 0.93 | 0.88 | 1.04 |
| | LOW | 1400 | 0.92 | 0.82 | 1.01 |
| | HIGH | 1800 | 0.95 | 0.93 | 1.06 |
| TWE048C14+4AYTXVH-3 | RATED | 1600 | 0.92 | 0.89 | 1.04 |
| | LOW | 1400 | 0.91 | 0.83 | 1.02 |
| | HIGH | 1800 | 0.94 | 0.94 | 1.06 |
| TXA042C4+4AYTXVH-3 | RATED | 1600 | 0.90 | 0.87 | 1.02 |
| | LOW | 1400 | 0.89 | 0.82 | 1.00 |
| | HIGH | 1800 | 0.91 | 0.93 | 1.04 |
| TXA042C4+BAY24X045 | RATED | 1600 | 0.91 | 0.86 | 1.03 |
| | LOW | 1400 | 0.89 | 0.81 | 1.01 |
| | HIGH | 1800 | 0.93 | 0.91 | 1.06 |
| TXA043C4+4AYTXVH-3 | RATED | 1600 | 0.90 | 0.87 | 1.03 |
| | LOW | 1400 | 0.89 | 0.82 | 1.01 |
| | HIGH | 1800 | 0.92 | 0.93 | 1.04 |
| TXA043C4+BAY24X045 | RATED | 1600 | 0.90 | 0.86 | 1.03 |
| | LOW | 1400 | 0.89 | 0.80 | 1.00 |
| | HIGH | 1800 | 0.92 | 0.91 | 1.05 |
| TXA048C4+4AYTXVH-3 | RATED | 1600 | 0.92 | 0.90 | 1.03 |
| | LOW | 1400 | 0.90 | 0.84 | 1.01 |
| | HIGH | 1800 | 0.93 | 0.96 | 1.05 |
| TXA048C4+BAY24X045 | RATED | 1600 | 0.92 | 0.89 | 1.03 |
| | LOW | 1400 | 0.90 | 0.83 | 1.00 |
| | HIGH | 1800 | 0.94 | 0.94 | 1.05 |
| TXA049C4+4AYTXVH-3 | RATED | 1600 | 0.92 | 0.91 | 1.04 |
| | LOW | 1400 | 0.91 | 0.85 | 1.02 |
| | HIGH | 1800 | 0.94 | 0.96 | 1.06 |
| TXA049C4+BAY24X045 | RATED | 1600 | 0.92 | 0.89 | 1.03 |
| | LOW | 1400 | 0.90 | 0.83 | 1.00 |
| | HIGH | 1800 | 0.94 | 0.95 | 1.05 |
| TXA050C4+4AYTXVH-3 | RATED | 1600 | 0.92 | 0.91 | 1.04 |
| | LOW | 1400 | 0.91 | 0.85 | 1.02 |
| | HIGH | 1800 | 0.94 | 0.96 | 1.06 |
| TXA050C4+BAY24X045 | RATED | 1600 | 0.92 | 0.89 | 1.03 |
| | LOW | 1400 | 0.90 | 0.83 | 1.00 |
| | HIGH | 1800 | 0.94 | 0.95 | 1.05 |
| TXC042C4+4AYTXVH-3 | RATED | 1600 | 0.90 | 0.87 | 1.02 |
| | LOW | 1400 | 0.89 | 0.82 | 1.00 |
| | HIGH | 1800 | 0.91 | 0.93 | 1.04 |

CORRECTION FACTORS FOR OTHER COMBINATIONS (MULTIPLY DATA BY FACTOR)

| INDOOR MODEL | | CFM | MBTUH TOT | MBTUH SEN | SYST KW |
|--------------------|-------|------|--------------|--------------|------------|
| TXC042C4+BAY24X045 | RATED | 1600 | 0.91 | 0.86 | 1.03 |
| | LOW | 1400 | 0.89 | 0.81 | 1.01 |
| | HIGH | 1800 | 0.93 | 0.91 | 1.06 |
| TXC043C4+4AYTXVH-3 | RATED | 1600 | 0.90 | 0.87 | 1.03 |
| | LOW | 1400 | 0.89 | 0.82 | 1.01 |
| | HIGH | 1800 | 0.92 | 0.93 | 1.04 |
| TXC043C4+BAY24X045 | RATED | 1600 | 0.90 | 0.86 | 1.03 |
| | LOW | 1400 | 0.89 | 0.80 | 1.00 |
| | HIGH | 1800 | 0.92 | 0.91 | 1.05 |
| TXC048C4+4AYTXVH-3 | RATED | 1600 | 0.92 | 0.90 | 1.03 |
| | LOW | 1400 | 0.90 | 0.84 | 1.01 |
| | HIGH | 1800 | 0.93 | 0.96 | 1.05 |
| TXC048C4+BAY24X045 | RATED | 1600 | 0.92 | 0.89 | 1.03 |
| | LOW | 1400 | 0.90 | 0.83 | 1.00 |
| | HIGH | 1800 | 0.94 | 0.94 | 1.05 |
| TXC049C4+4AYTXVH-3 | RATED | 1600 | 0.92 | 0.91 | 1.04 |
| | LOW | 1400 | 0.91 | 0.85 | 1.02 |
| | HIGH | 1800 | 0.94 | 0.96 | 1.06 |
| TXC049C4+BAY24X045 | RATED | 1600 | 0.92 | 0.89 | 1.03 |
| | LOW | 1400 | 0.90 | 0.83 | 1.00 |
| | HIGH | 1800 | 0.94 | 0.95 | 1.05 |
| TXC050C4+4AYTXVH-3 | RATED | 1600 | 0.92 | 0.91 | 1.04 |
| | LOW | 1400 | 0.91 | 0.85 | 1.02 |
| | HIGH | 1800 | 0.94 | 0.96 | 1.06 |
| TXC050C4+BAY24X045 | RATED | 1600 | 0.92 | 0.89 | 1.03 |
| | LOW | 1400 | 0.90 | 0.83 | 1.00 |
| | HIGH | 1800 | 0.94 | 0.95 | 1.05 |
| TXH041A4 | RATED | 1600 | 0.92 | 0.87 | 1.03 |
| | LOW | 1400 | 0.91 | 0.82 | 1.00 |
| | HIGH | 1800 | 0.94 | 0.92 | 1.05 |
| TXH041A4+4AYTXVH-3 | RATED | 1600 | 0.92 | 0.89 | 1.03 |
| | LOW | 1400 | 0.91 | 0.83 | 1.01 |
| | HIGH | 1800 | 0.94 | 0.94 | 1.05 |
| TXH041A4+BAY24X045 | RATED | 1600 | 0.92 | 0.87 | 1.03 |
| | LOW | 1400 | 0.91 | 0.82 | 1.00 |
| | HIGH | 1800 | 0.94 | 0.92 | 1.05 |
| TXH054A4 | RATED | 1600 | 0.96 | 0.91 | 1.05 |
| | LOW | 1400 | 0.94 | 0.85 | 1.02 |
| | HIGH | 1800 | 0.98 | 0.96 | 1.07 |
| TXH054A4+4AYTXVH-3 | RATED | 1600 | 0.95 | 0.92 | 1.04 |
| | LOW | 1400 | 0.94 | 0.87 | 1.02 |
| | HIGH | 1800 | 0.96 | 0.98 | 1.06 |
| TXH054A4+BAY24X045 | RATED | 1600 | 0.96 | 0.91 | 1.05 |
| | LOW | 1400 | 0.94 | 0.85 | 1.02 |
| | HIGH | 1800 | 0.98 | 0.96 | 1.07 |



Performance Data Cooling

4TWX4060B1

4TWX4060B1 WITH 4TEE3F65A1 AT 2000 CFM

| O.D. D.B. | I.D. W.B. | TOT. CAP. | SENS. CAP. AT ENTERING D.B. TEMP. | | | | TOTAL KW |
|--------------|--------------|--------------|-----------------------------------|------|------|------|-------------|
| | | | 72 | 75 | 78 | 80 | |
| 85 | 59 | 58.2 | 45.2 | 50.6 | 55.9 | 58.2 | 5.14 |
| | 63 | 59.7 | 37.0 | 42.6 | 48.1 | 51.7 | 5.17 |
| | 67 | 63.6 | 29.2 | 34.9 | 40.7 | 44.4 | 5.26 |
| | 71 | 67.9 | 21.3 | 27.0 | 32.8 | 36.6 | 5.31 |
| 95 | 59 | 55.7 | 44.4 | 49.8 | 55.1 | 55.7 | 5.84 |
| | 63 | 57.1 | 36.1 | 41.8 | 47.3 | 50.9 | 5.87 |
| | 67 | 60.8 | 28.3 | 34.1 | 39.8 | 43.5 | 5.97 |
| | 71 | 65.0 | 20.3 | 26.0 | 31.9 | 35.8 | 6.03 |
| 105 | 59 | 52.6 | 43.3 | 48.7 | 52.6 | 52.6 | 6.57 |
| | 63 | 53.9 | 35.1 | 40.8 | 46.3 | 49.8 | 6.60 |
| | 67 | 57.5 | 27.2 | 33.0 | 38.7 | 42.5 | 6.71 |
| | 71 | 61.4 | 19.2 | 24.9 | 30.8 | 34.7 | 6.78 |
| 115 | 59 | 48.6 | 41.9 | 47.4 | 48.6 | 48.6 | 7.31 |
| | 63 | 49.9 | 33.8 | 39.4 | 45.0 | 48.6 | 7.35 |
| | 67 | 53.2 | 25.8 | 31.7 | 37.4 | 41.2 | 7.48 |
| | 71 | 56.8 | 17.7 | 23.5 | 29.5 | 33.4 | 7.55 |

CORRECTION FACTORS FOR OTHER AIRFLOWS (MULTIPLY DATA BY FACTOR)

| AIRFLOW | TOTAL CAPACITY | SENSIBLE CAPACITY |
|---------|----------------|-------------------|
| LOW | 1750 | 0.98 |
| HIGH | 2250 | 1.01 |

NOTE: ALL TABLES ABOVE ARE AT ARI RATING CONDITIONS RATED WITH 25 FEET OF REFRIGERANT LINES.
 * DRY COIL CONDITION (TOTAL CAPACITY = SENSIBLE CAPACITY)
 TOTAL CAPACITY, COMP. KW AND APP. DEW PT. ARE VALID ONLY FOR WET COIL. ALL TEMPERATURES IN DEGREES F.

CORRECTION FACTORS FOR OTHER COMBINATIONS (MULTIPLY DATA BY FACTOR)

| INDOOR MODEL | CFM | MBTUH TOT | MBTUH SEN | SYST KW |
|--------------|-------|--------------|--------------|------------|
| 4TEE3F49A1 | RATED | 2000 | 0.97 | 0.95 |
| | LOW | 1750 | 0.95 | 0.89 |
| | HIGH | 2250 | 0.98 | 1.01 |
| 4TEP3F48B1 | RATED | 2000 | 0.91 | 0.93 |
| | LOW | 1750 | 0.89 | 0.87 |
| | HIGH | 2250 | 0.91 | 0.98 |
| 4TEP3F63B1 | RATED | 2000 | 0.94 | 0.94 |
| | LOW | 1750 | 0.93 | 0.88 |
| | HIGH | 2250 | 0.95 | 1.00 |

CORRECTION FACTORS FOR OTHER COMBINATIONS (MULTIPLY DATA BY FACTOR)

| INDOOR MODEL | CFM | MBTUH TOT | MBTUH SEN | SYST KW |
|--------------------|-------|--------------|--------------|------------|
| RXA060S3 | RATED | 2000 | 0.92 | 0.94 |
| | LOW | 1750 | 0.91 | 0.88 |
| | HIGH | 2250 | 0.93 | 0.99 |
| RXA061S3 | RATED | 2000 | 0.94 | 0.94 |
| | LOW | 1750 | 0.93 | 0.89 |
| | HIGH | 2250 | 0.95 | 1.00 |
| RXC054S3 | RATED | 2000 | 0.93 | 0.92 |
| | LOW | 1750 | 0.91 | 0.87 |
| | HIGH | 2250 | 0.94 | 0.98 |
| RXC060S3 | RATED | 2000 | 0.92 | 0.94 |
| | LOW | 1750 | 0.91 | 0.88 |
| | HIGH | 2250 | 0.93 | 0.99 |
| RXC061S3 | RATED | 2000 | 0.94 | 0.94 |
| | LOW | 1750 | 0.93 | 0.89 |
| | HIGH | 2250 | 0.95 | 1.00 |
| RXC065S3 | RATED | 2000 | 0.95 | 0.96 |
| | LOW | 1750 | 0.93 | 0.90 |
| | HIGH | 2250 | 0.96 | 1.02 |
| RXH063S3 | RATED | 2000 | 0.98 | 0.96 |
| | LOW | 1750 | 0.96 | 0.91 |
| | HIGH | 2250 | 0.99 | 1.02 |
| TXA049C4+4AYTXVH-3 | RATED | 2000 | 0.92 | 0.91 |
| | LOW | 1750 | 0.90 | 0.85 |
| | HIGH | 2250 | 0.93 | 0.96 |
| TXA050C4+4AYTXVH-3 | RATED | 2000 | 0.92 | 0.91 |
| | LOW | 1750 | 0.90 | 0.85 |
| | HIGH | 2250 | 0.93 | 0.96 |
| TXC049C4+4AYTXVH-3 | RATED | 2000 | 0.92 | 0.91 |
| | LOW | 1750 | 0.90 | 0.85 |
| | HIGH | 2250 | 0.93 | 0.96 |
| TXC050C4+4AYTXVH-3 | RATED | 2000 | 0.92 | 0.91 |
| | LOW | 1750 | 0.90 | 0.85 |
| | HIGH | 2250 | 0.93 | 0.96 |
| TXH054A4+4AYTXVH-3 | RATED | 2000 | 0.96 | 0.92 |
| | LOW | 1750 | 0.94 | 0.87 |
| | HIGH | 2250 | 0.97 | 0.97 |



Performance Data Heating

4TWX4018B1

4TWX4018B1 WITH 4TEE3F31A1 AT 600 CFM

| O.D. TEMP. F. | HEATING CAPACITY MBH AT INDOOR DRY BULB TEMP. | | | TOTAL POWER IN KILOWATTS AT INDOOR DRY BULB TEMP. | | |
|---------------|---|------|------|---|------|------|
| | 70 | 75 | 80 | 70 | 75 | 80 |
| | 2 | 2.7 | 2.7 | 2.7 | 0.94 | 0.97 |
| 7 | 4.2 | 4.2 | 4.2 | 1.00 | 1.03 | 1.06 |
| 12 | 5.8 | 5.7 | 5.6 | 1.05 | 1.08 | 1.11 |
| 17 | 7.3 | 7.2 | 7.1 | 1.10 | 1.13 | 1.17 |
| 22 | 8.5 | 8.4 | 8.3 | 1.15 | 1.19 | 1.22 |
| 27 | 9.8 | 9.7 | 9.6 | 1.21 | 1.24 | 1.28 |
| 32 | 11.0 | 10.9 | 10.8 | 1.26 | 1.30 | 1.34 |
| 37 | 12.5 | 12.4 | 12.3 | 1.31 | 1.35 | 1.39 |
| 42 | 14.4 | 14.3 | 14.1 | 1.36 | 1.41 | 1.45 |
| 47 | 16.3 | 16.1 | 16.0 | 1.42 | 1.46 | 1.50 |
| 52 | 17.8 | 17.6 | 17.5 | 1.47 | 1.51 | 1.56 |
| 57 | 19.3 | 19.1 | 18.9 | 1.52 | 1.57 | 1.61 |
| 62 | 20.8 | 20.6 | 20.4 | 1.57 | 1.62 | 1.67 |
| 67 | 22.3 | 22.1 | 21.9 | 1.63 | 1.67 | 1.72 |
| 72 | 23.8 | 23.6 | 23.4 | 1.68 | 1.73 | 1.78 |

CORRECTION FACTORS FOR OTHER AIRFLOWS (MULTIPLY DATA BY FACTOR)

| AIRFLOW | TOTAL CAPACITY | SENSIBLE CAPACITY |
|---------|----------------|-------------------|
| LOW | 0.98 | 0.97 |
| HIGH | 1.01 | 1.02 |

NOTE: ALL TABLES ABOVE ARE AT ARI RATING CONDITIONS RATED WITH 25 FEET OF REFRIGERANT LINES.

CORRECTION FACTORS FOR OTHER COMBINATIONS (MULTIPLY DATA BY FACTOR)

| INDOOR MODEL | | CFM | MBTUH TOT | SYST KW |
|-------------------------------|-------|-----|-----------|---------|
| 4TEP3F18A1 | RATED | 600 | 1.03 | 1.06 |
| | LOW | 525 | 1.01 | 1.04 |
| | HIGH | 675 | 1.04 | 1.09 |
| 4TEP3F24A1 | RATED | 600 | 1.03 | 1.07 |
| | LOW | 525 | 1.01 | 1.04 |
| | HIGH | 675 | 1.04 | 1.09 |
| 4TEP3F30A1 | RATED | 600 | 1.06 | 1.11 |
| | LOW | 525 | 1.05 | 1.08 |
| | HIGH | 675 | 1.07 | 1.14 |
| RXC024S3 | RATED | 600 | 0.99 | 1.07 |
| | LOW | 525 | 0.98 | 1.04 |
| | HIGH | 675 | 1.00 | 1.10 |
| RXC025S3 | RATED | 600 | 0.99 | 1.07 |
| | LOW | 525 | 0.98 | 1.04 |
| | HIGH | 675 | 1.00 | 1.10 |
| RXC031S3 | RATED | 600 | 1.04 | 1.10 |
| | LOW | 525 | 1.02 | 1.07 |
| | HIGH | 675 | 1.05 | 1.13 |
| TDD060R9V3+RXC025S3 | RATED | 600 | 0.94 | 0.96 |
| | LOW | 525 | 0.93 | 0.93 |
| | HIGH | 675 | 0.95 | 0.98 |
| TDD060R9V3+RXC031S3 | RATED | 600 | 0.99 | 0.98 |
| | LOW | 525 | 0.98 | 0.96 |
| | HIGH | 675 | 1.00 | 1.01 |
| TDD060R9V3+TXH025A4 | RATED | 600 | 0.95 | 0.96 |
| | LOW | 525 | 0.94 | 0.94 |
| | HIGH | 675 | 0.96 | 0.99 |
| TDD060R9V3+TXH025A4+4AYTXVH-3 | RATED | 600 | 0.94 | 0.95 |
| | LOW | 525 | 0.93 | 0.93 |
| | HIGH | 675 | 0.95 | 0.98 |
| TDY060R9V3+RXC025S3 | RATED | 600 | 0.93 | 0.95 |
| | LOW | 525 | 0.92 | 0.92 |
| | HIGH | 675 | 0.94 | 0.97 |
| TDY060R9V3+RXC031S3 | RATED | 600 | 0.99 | 0.99 |
| | LOW | 525 | 0.98 | 0.96 |
| | HIGH | 675 | 1.00 | 1.01 |

CORRECTION FACTORS FOR OTHER COMBINATIONS (MULTIPLY DATA BY FACTOR)

| INDOOR MODEL | | CFM | MBTUH TOT | SYST KW |
|-------------------------------|-------|-----|-----------|---------|
| TDY060R9V3+TXH025A4 | RATED | 600 | 0.95 | 0.96 |
| | LOW | 525 | 0.94 | 0.94 |
| | HIGH | 675 | 0.96 | 0.99 |
| TDY060R9V3+TXH025A4+4AYTXVH-3 | RATED | 600 | 0.94 | 0.95 |
| | LOW | 525 | 0.93 | 0.93 |
| | HIGH | 675 | 0.95 | 0.98 |
| TUD060R9V3+RXC025S3 | RATED | 600 | 0.95 | 0.97 |
| | LOW | 525 | 0.94 | 0.95 |
| | HIGH | 675 | 0.96 | 1.00 |
| TUD060R9V3+RXC031S3 | RATED | 600 | 1.01 | 1.01 |
| | LOW | 525 | 1.00 | 0.98 |
| | HIGH | 675 | 1.02 | 1.03 |
| TUD060R9V3+TXH025A4 | RATED | 600 | 0.96 | 0.98 |
| | LOW | 525 | 0.95 | 0.95 |
| | HIGH | 675 | 0.97 | 1.00 |
| TUD060R9V3+TXH025A4+4AYTXVH-3 | RATED | 600 | 0.95 | 0.97 |
| | LOW | 525 | 0.94 | 0.94 |
| | HIGH | 675 | 0.96 | 0.99 |
| TUY060R9V3+RXC025S3 | RATED | 600 | 0.95 | 0.97 |
| | LOW | 525 | 0.94 | 0.95 |
| | HIGH | 675 | 0.96 | 1.00 |
| TUY060R9V3+RXC031S3 | RATED | 600 | 1.01 | 1.01 |
| | LOW | 525 | 1.00 | 0.98 |
| | HIGH | 675 | 1.02 | 1.03 |
| TUY060R9V3+TXH025A4 | RATED | 600 | 0.96 | 0.98 |
| | LOW | 525 | 0.95 | 0.95 |
| | HIGH | 675 | 0.97 | 1.00 |
| TUY060R9V3+TXH025A4+4AYTXVH-3 | RATED | 600 | 0.95 | 0.97 |
| | LOW | 525 | 0.94 | 0.94 |
| | HIGH | 675 | 0.96 | 0.99 |
| TWE018C14+4AYTXVH-3 | RATED | 600 | 0.99 | 1.07 |
| | LOW | 525 | 0.98 | 1.04 |
| | HIGH | 675 | 1.00 | 1.09 |
| TWE030C14+4AYTXVH-3 | RATED | 600 | 1.01 | 1.10 |
| | LOW | 525 | 1.00 | 1.07 |
| | HIGH | 675 | 1.02 | 1.13 |
| TXA024C4+4AYTXVH-3 | RATED | 600 | 0.99 | 1.07 |
| | LOW | 525 | 0.98 | 1.04 |
| | HIGH | 675 | 1.00 | 1.10 |
| TXA025C4+4AYTXVH-3 | RATED | 600 | 1.01 | 1.09 |
| | LOW | 525 | 1.00 | 1.06 |
| | HIGH | 675 | 1.02 | 1.11 |
| TXA030C4+4AYTXVH-3 | RATED | 600 | 1.01 | 1.09 |
| | LOW | 525 | 1.00 | 1.06 |
| | HIGH | 675 | 1.02 | 1.11 |
| TXA031C4+4AYTXVH-3 | RATED | 600 | 1.03 | 1.09 |
| | LOW | 525 | 1.01 | 1.06 |
| | HIGH | 675 | 1.04 | 1.12 |
| TXC024C4+4AYTXVH-3 | RATED | 600 | 0.99 | 1.07 |
| | LOW | 525 | 0.98 | 1.04 |
| | HIGH | 675 | 1.00 | 1.10 |
| TXC024D4+4AYTXVH-3 | RATED | 600 | 0.99 | 1.07 |
| | LOW | 525 | 0.98 | 1.04 |
| | HIGH | 675 | 1.00 | 1.10 |
| TXC025C4+4AYTXVH-3 | RATED | 600 | 1.01 | 1.09 |
| | LOW | 525 | 1.00 | 1.06 |
| | HIGH | 675 | 1.02 | 1.11 |
| TXC025D4+4AYTXVH-3 | RATED | 600 | 1.01 | 1.09 |
| | LOW | 525 | 1.00 | 1.06 |
| | HIGH | 675 | 1.02 | 1.11 |
| TXC030C4+4AYTXVH-3 | RATED | 600 | 1.01 | 1.09 |
| | LOW | 525 | 1.00 | 1.06 |
| | HIGH | 675 | 1.02 | 1.11 |



Performance Data Heating

4TWX4018B1

CORRECTION FACTORS FOR OTHER COMBINATIONS (MULTIPLY DATA BY FACTOR)

| INDOOR MODEL | | CFM | MBTUH TOT | SYST KW |
|--------------------|-------|-----|--------------|------------|
| TXC030D4+4AYTXVH-3 | RATED | 600 | 1.01 | 1.09 |
| | LOW | 525 | 1.00 | 1.06 |
| | HIGH | 675 | 1.02 | 1.11 |
| TXC031C4+4AYTXVH-3 | RATED | 600 | 1.03 | 1.09 |
| | LOW | 525 | 1.01 | 1.06 |
| | HIGH | 675 | 1.04 | 1.12 |
| TXC031D4+4AYTXVH-3 | RATED | 600 | 1.03 | 1.09 |
| | LOW | 525 | 1.01 | 1.06 |
| | HIGH | 675 | 1.04 | 1.12 |

CORRECTION FACTORS FOR OTHER COMBINATIONS (MULTIPLY DATA BY FACTOR)

| INDOOR MODEL | | CFM | MBTUH TOT | SYST KW |
|--------------------|-------|-----|--------------|------------|
| TXH025A4+4AYTXVH-3 | RATED | 600 | 0.99 | 1.07 |
| | LOW | 525 | 0.98 | 1.04 |
| | HIGH | 675 | 1.00 | 1.10 |
| TXH033A4+4AYTXVH-3 | RATED | 600 | 1.04 | 1.10 |
| | LOW | 525 | 1.02 | 1.07 |
| | HIGH | 675 | 1.05 | 1.13 |

4TWX4024B1

4TWX4024B1 WITH 4TEE3F31A1 AT 800 CFM

| O.D. TEMP. F. | HEATING CAPACITY MBH AT INDOOR DRY BULB TEMP. | | | TOTAL POWER IN KILOWATTS AT INDOOR DRY BULB TEMP. | | |
|---------------------|--|------|------|--|------|------|
| | 70 | 75 | 80 | 70 | 75 | 80 |
| 2 | 8.2 | 8.1 | 8.1 | 1.51 | 1.55 | 1.60 |
| 7 | 9.7 | 9.6 | 9.5 | 1.54 | 1.59 | 1.63 |
| 12 | 11.1 | 11.0 | 10.9 | 1.58 | 1.63 | 1.67 |
| 17 | 12.6 | 12.5 | 12.4 | 1.61 | 1.66 | 1.71 |
| 22 | 13.7 | 13.5 | 13.4 | 1.64 | 1.69 | 1.74 |
| 27 | 14.7 | 14.6 | 14.5 | 1.68 | 1.73 | 1.78 |
| 32 | 15.8 | 15.7 | 15.5 | 1.71 | 1.76 | 1.81 |
| 37 | 17.3 | 17.1 | 17.0 | 1.74 | 1.80 | 1.85 |
| 42 | 19.3 | 19.1 | 19.0 | 1.78 | 1.84 | 1.89 |
| 47 | 21.4 | 21.2 | 21.0 | 1.83 | 1.88 | 1.93 |
| 52 | 22.9 | 22.6 | 22.4 | 1.86 | 1.92 | 1.97 |
| 57 | 24.3 | 24.1 | 23.9 | 1.90 | 1.95 | 2.01 |
| 62 | 25.8 | 25.5 | 25.3 | 1.93 | 1.99 | 2.05 |
| 67 | 27.3 | 27.0 | 26.7 | 1.97 | 2.03 | 2.08 |
| 72 | 28.7 | 28.4 | 28.2 | 2.00 | 2.06 | 2.12 |

CORRECTION FACTORS FOR OTHER AIRFLOWS (MULTIPLY DATA BY FACTOR)

| | AIRFLOW | TOTAL CAPACITY | SENSIBLE CAPACITY |
|------|---------|----------------|-------------------|
| LOW | 700 | 0.98 | 0.97 |
| HIGH | 900 | 1.01 | 1.02 |

NOTE: ALL TABLES ABOVE ARE AT ARI RATING CONDITIONS RATED WITH 25 FEET OF REFRIGERANT LINES.

CORRECTION FACTORS FOR OTHER COMBINATIONS (MULTIPLY DATA BY FACTOR)

| INDOOR MODEL | | CFM | MBTUH TOT | SYST KW |
|--------------|-------|-----|--------------|------------|
| 4TEE3F37A1 | RATED | 800 | 0.96 | 0.96 |
| | LOW | 700 | 0.95 | 0.93 |
| | HIGH | 900 | 0.97 | 0.98 |
| 4TEE3F40A1 | RATED | 800 | 1.00 | 0.98 |
| | LOW | 700 | 0.99 | 0.95 |
| | HIGH | 900 | 1.02 | 1.00 |
| 4TEP3F18A1 | RATED | 800 | 0.95 | 1.03 |
| | LOW | 700 | 0.94 | 1.00 |
| | HIGH | 900 | 0.96 | 1.05 |
| 4TEP3F24A1 | RATED | 800 | 0.98 | 1.02 |
| | LOW | 700 | 0.96 | 0.99 |
| | HIGH | 900 | 0.99 | 1.05 |
| 4TEP3F30A1 | RATED | 800 | 0.98 | 1.04 |
| | LOW | 700 | 0.96 | 1.02 |
| | HIGH | 900 | 0.99 | 1.07 |

CORRECTION FACTORS FOR OTHER COMBINATIONS (MULTIPLY DATA BY FACTOR)

| INDOOR MODEL | | CFM | MBTUH TOT | SYST KW |
|-------------------------------|-------|-----|--------------|------------|
| 4TEP3F36A1 | RATED | 800 | 0.99 | 1.07 |
| | LOW | 700 | 0.97 | 1.04 |
| | HIGH | 900 | 1.00 | 1.09 |
| RXC031S3 | RATED | 800 | 1.00 | 1.07 |
| | LOW | 700 | 0.98 | 1.04 |
| | HIGH | 900 | 1.01 | 1.09 |
| RXC036S3 | RATED | 800 | 1.01 | 1.07 |
| | LOW | 700 | 1.00 | 1.05 |
| | HIGH | 900 | 1.02 | 1.10 |
| RXC037S3 | RATED | 800 | 1.01 | 1.07 |
| | LOW | 700 | 1.00 | 1.05 |
| | HIGH | 900 | 1.02 | 1.10 |
| TDD060R9V3+RXC031S3 | RATED | 800 | 0.96 | 0.95 |
| | LOW | 700 | 0.95 | 0.93 |
| | HIGH | 900 | 0.97 | 0.98 |
| TDD060R9V3+RXC036S3 | RATED | 800 | 0.98 | 0.96 |
| | LOW | 700 | 0.96 | 0.94 |
| | HIGH | 900 | 0.99 | 0.99 |
| TDD060R9V3+TXH033A4 | RATED | 800 | 0.96 | 0.96 |
| | LOW | 700 | 0.95 | 0.93 |
| | HIGH | 900 | 0.97 | 0.98 |
| TDD060R9V3+TXH033A4+4AYTXVH-3 | RATED | 800 | 0.96 | 0.95 |
| | LOW | 700 | 0.95 | 0.93 |
| | HIGH | 900 | 0.97 | 0.98 |
| TDD080R9V3+RXC031S3 | RATED | 800 | 0.96 | 0.95 |
| | LOW | 700 | 0.95 | 0.93 |
| | HIGH | 900 | 0.97 | 0.98 |
| TDD080R9V3+RXC036S3 | RATED | 800 | 0.98 | 0.96 |
| | LOW | 700 | 0.96 | 0.93 |
| | HIGH | 900 | 0.99 | 0.98 |
| TDD080R9V3+TXH033A4 | RATED | 800 | 0.96 | 0.95 |
| | LOW | 700 | 0.95 | 0.93 |
| | HIGH | 900 | 0.97 | 0.98 |
| TDD080R9V3+TXH033A4+4AYTXVH-3 | RATED | 800 | 0.96 | 0.95 |
| | LOW | 700 | 0.95 | 0.93 |
| | HIGH | 900 | 0.97 | 0.98 |
| TDY060R9V3+RXC031S3 | RATED | 800 | 0.94 | 0.94 |
| | LOW | 700 | 0.93 | 0.92 |
| | HIGH | 900 | 0.95 | 0.97 |
| TDY060R9V3+RXC036S3 | RATED | 800 | 0.96 | 0.95 |
| | LOW | 700 | 0.95 | 0.93 |
| | HIGH | 900 | 0.97 | 0.98 |



Performance Data Heating

4TWX4024B1

CORRECTION FACTORS FOR OTHER COMBINATIONS (MULTIPLY DATA BY FACTOR)

| INDOOR MODEL | | CFM | MBTUH TOT | SYST KW |
|-------------------------------|-------|-----|--------------|------------|
| TDY060R9V3+TXH033A4 | RATED | 800 | 0.94 | 0.94 |
| | LOW | 700 | 0.93 | 0.92 |
| | HIGH | 900 | 0.95 | 0.97 |
| TDY060R9V3+TXH033A4+4AYTXVH-3 | RATED | 800 | 0.94 | 0.95 |
| | LOW | 700 | 0.93 | 0.92 |
| | HIGH | 900 | 0.95 | 0.97 |
| TDY080R9V3+RXC031S3 | RATED | 800 | 0.94 | 0.95 |
| | LOW | 700 | 0.93 | 0.93 |
| | HIGH | 900 | 0.95 | 0.97 |
| TDY080R9V3+RXC036S3 | RATED | 800 | 0.96 | 0.96 |
| | LOW | 700 | 0.95 | 0.94 |
| | HIGH | 900 | 0.97 | 0.98 |
| TDY080R9V3+TXH033A4 | RATED | 800 | 0.95 | 0.96 |
| | LOW | 700 | 0.94 | 0.93 |
| | HIGH | 900 | 0.96 | 0.98 |
| TDY080R9V3+TXH033A4+4AYTXVH-3 | RATED | 800 | 0.94 | 0.95 |
| | LOW | 700 | 0.93 | 0.93 |
| | HIGH | 900 | 0.95 | 0.98 |
| TUD060R9V3+RXC031S3 | RATED | 800 | 0.97 | 0.97 |
| | LOW | 700 | 0.95 | 0.94 |
| | HIGH | 900 | 0.98 | 0.99 |
| TUD060R9V3+RXC036S3 | RATED | 800 | 0.99 | 0.97 |
| | LOW | 700 | 0.97 | 0.95 |
| | HIGH | 900 | 1.00 | 1.00 |
| TUD060R9V3+TXH033A4 | RATED | 800 | 0.97 | 0.97 |
| | LOW | 700 | 0.95 | 0.95 |
| | HIGH | 900 | 0.98 | 0.99 |
| TUD060R9V3+TXH033A4+4AYTXVH-3 | RATED | 800 | 0.97 | 0.97 |
| | LOW | 700 | 0.95 | 0.95 |
| | HIGH | 900 | 0.98 | 0.99 |
| TUD080R9V3+RXC031S3 | RATED | 800 | 0.97 | 0.96 |
| | LOW | 700 | 0.95 | 0.94 |
| | HIGH | 900 | 0.98 | 0.99 |
| TUD080R9V3+RXC036S3 | RATED | 800 | 0.99 | 0.97 |
| | LOW | 700 | 0.97 | 0.95 |
| | HIGH | 900 | 1.00 | 1.00 |
| TUD080R9V3+TXH033A4 | RATED | 800 | 0.97 | 0.97 |
| | LOW | 700 | 0.95 | 0.94 |
| | HIGH | 900 | 0.98 | 0.99 |
| TUD080R9V3+TXH033A4+4AYTXVH-3 | RATED | 800 | 0.97 | 0.96 |
| | LOW | 700 | 0.95 | 0.94 |
| | HIGH | 900 | 0.98 | 0.99 |
| TUY060R9V3+RXC031S3 | RATED | 800 | 0.94 | 0.95 |
| | LOW | 700 | 0.93 | 0.93 |
| | HIGH | 900 | 0.95 | 0.98 |
| TUY060R9V3+RXC036S3 | RATED | 800 | 0.96 | 0.96 |
| | LOW | 700 | 0.95 | 0.94 |
| | HIGH | 900 | 0.97 | 0.98 |
| TUY060R9V3+TXH033A4 | RATED | 800 | 0.95 | 0.96 |
| | LOW | 700 | 0.94 | 0.94 |
| | HIGH | 900 | 0.96 | 0.99 |
| TUY060R9V3+TXH033A4+4AYTXVH-3 | RATED | 800 | 0.94 | 0.95 |
| | LOW | 700 | 0.93 | 0.93 |
| | HIGH | 900 | 0.95 | 0.98 |
| TUY080R9V3+RXC031S3 | RATED | 800 | 0.94 | 0.94 |
| | LOW | 700 | 0.93 | 0.92 |
| | HIGH | 900 | 0.95 | 0.97 |
| TUY080R9V3+RXC036S3 | RATED | 800 | 0.96 | 0.95 |
| | LOW | 700 | 0.95 | 0.93 |
| | HIGH | 900 | 0.97 | 0.98 |
| TUY080R9V3+TXH033A4 | RATED | 800 | 0.95 | 0.96 |
| | LOW | 700 | 0.94 | 0.93 |
| | HIGH | 900 | 0.96 | 0.98 |

CORRECTION FACTORS FOR OTHER COMBINATIONS (MULTIPLY DATA BY FACTOR)

| INDOOR MODEL | | CFM | MBTUH TOT | SYST KW |
|-------------------------------|-------|-----|--------------|------------|
| TUY080R9V3+TXH033A4+4AYTXVH-3 | RATED | 800 | 0.94 | 0.95 |
| | LOW | 700 | 0.93 | 0.92 |
| | HIGH | 900 | 0.95 | 0.97 |
| TWE030C14 | RATED | 800 | 0.97 | 1.05 |
| | LOW | 700 | 0.95 | 1.02 |
| | HIGH | 900 | 0.98 | 1.07 |
| TWE030C14+4AYTXVH-3 | RATED | 800 | 0.96 | 1.04 |
| | LOW | 700 | 0.95 | 1.02 |
| | HIGH | 900 | 0.97 | 1.07 |
| TWE036C14 | RATED | 800 | 0.98 | 1.05 |
| | LOW | 700 | 0.96 | 1.02 |
| | HIGH | 900 | 0.99 | 1.07 |
| TWE036C14+4AYTXVH-3 | RATED | 800 | 0.97 | 1.04 |
| | LOW | 700 | 0.95 | 1.02 |
| | HIGH | 900 | 0.98 | 1.07 |
| TXA025C4+4AYTXVH-3 | RATED | 800 | 0.96 | 1.05 |
| | LOW | 700 | 0.95 | 1.02 |
| | HIGH | 900 | 0.97 | 1.07 |
| TXA025C4+BAY24X045 | RATED | 800 | 0.97 | 1.05 |
| | LOW | 700 | 0.95 | 1.03 |
| | HIGH | 900 | 0.98 | 1.08 |
| TXA030C4 | RATED | 800 | 0.98 | 1.06 |
| | LOW | 700 | 0.96 | 1.03 |
| | HIGH | 900 | 0.99 | 1.09 |
| TXA030C4+4AYTXVH-3 | RATED | 800 | 0.97 | 1.05 |
| | LOW | 700 | 0.95 | 1.02 |
| | HIGH | 900 | 0.98 | 1.07 |
| TXA030C4+BAY24X045 | RATED | 800 | 0.98 | 1.06 |
| | LOW | 700 | 0.96 | 1.03 |
| | HIGH | 900 | 0.99 | 1.09 |
| TXA031C4 | RATED | 800 | 0.99 | 1.06 |
| | LOW | 700 | 0.97 | 1.04 |
| | HIGH | 900 | 1.00 | 1.09 |
| TXA031C4+4AYTXVH-3 | RATED | 800 | 0.98 | 1.06 |
| | LOW | 700 | 0.96 | 1.03 |
| | HIGH | 900 | 0.99 | 1.08 |
| TXA031C4+BAY24X045 | RATED | 800 | 0.99 | 1.06 |
| | LOW | 700 | 0.97 | 1.04 |
| | HIGH | 900 | 1.00 | 1.09 |
| TXA035C4+4AYTXVH-3 | RATED | 800 | 0.97 | 1.05 |
| | LOW | 700 | 0.95 | 1.02 |
| | HIGH | 900 | 0.98 | 1.07 |
| TXA036C4+4AYTXVH-3 | RATED | 800 | 0.98 | 1.05 |
| | LOW | 700 | 0.96 | 1.03 |
| | HIGH | 900 | 0.99 | 1.08 |
| TXA037C4+4AYTXVH-3 | RATED | 800 | 0.98 | 1.05 |
| | LOW | 700 | 0.96 | 1.03 |
| | HIGH | 900 | 0.99 | 1.08 |
| TXC025C4+4AYTXVH-3 | RATED | 800 | 0.96 | 1.05 |
| | LOW | 700 | 0.95 | 1.02 |
| | HIGH | 900 | 0.97 | 1.07 |
| TXC025C4+BAY24X045 | RATED | 800 | 0.97 | 1.05 |
| | LOW | 700 | 0.95 | 1.03 |
| | HIGH | 900 | 0.98 | 1.08 |
| TXC025D4+4AYTXVH-3 | RATED | 800 | 0.96 | 1.05 |
| | LOW | 700 | 0.95 | 1.02 |
| | HIGH | 900 | 0.97 | 1.07 |
| TXC025D4+BAY24X045 | RATED | 800 | 0.97 | 1.05 |
| | LOW | 700 | 0.95 | 1.03 |
| | HIGH | 900 | 0.98 | 1.08 |
| TXC030C4 | RATED | 800 | 0.98 | 1.06 |
| | LOW | 700 | 0.96 | 1.03 |
| | HIGH | 900 | 0.99 | 1.09 |



Performance Data Heating

4TWX4024B1

CORRECTION FACTORS FOR OTHER COMBINATIONS (MULTIPLY DATA BY FACTOR)

| INDOOR MODEL | | CFM | MBTUH TOT | SYST KW |
|--------------------|-------|-----|--------------|------------|
| TXC030C4+4AYTXVH-3 | RATED | 800 | 0.97 | 1.05 |
| | LOW | 700 | 0.95 | 1.02 |
| | HIGH | 900 | 0.98 | 1.07 |
| TXC030C4+BAY24X045 | RATED | 800 | 0.98 | 1.06 |
| | LOW | 700 | 0.96 | 1.03 |
| | HIGH | 900 | 0.99 | 1.09 |
| TXC030D4 | RATED | 800 | 0.98 | 1.06 |
| | LOW | 700 | 0.96 | 1.03 |
| | HIGH | 900 | 0.99 | 1.09 |
| TXC030D4+4AYTXVH-3 | RATED | 800 | 0.97 | 1.05 |
| | LOW | 700 | 0.95 | 1.02 |
| | HIGH | 900 | 0.98 | 1.07 |
| TXC030D4+BAY24X045 | RATED | 800 | 0.98 | 1.06 |
| | LOW | 700 | 0.96 | 1.03 |
| | HIGH | 900 | 0.99 | 1.09 |
| TXC031C4 | RATED | 800 | 0.99 | 1.06 |
| | LOW | 700 | 0.97 | 1.04 |
| | HIGH | 900 | 1.00 | 1.09 |
| TXC031C4+4AYTXVH-3 | RATED | 800 | 0.98 | 1.06 |
| | LOW | 700 | 0.96 | 1.03 |
| | HIGH | 900 | 0.99 | 1.08 |
| TXC031C4+BAY24X045 | RATED | 800 | 0.99 | 1.06 |
| | LOW | 700 | 0.97 | 1.04 |
| | HIGH | 900 | 1.00 | 1.09 |
| TXC031D4 | RATED | 800 | 0.99 | 1.06 |
| | LOW | 700 | 0.97 | 1.04 |
| | HIGH | 900 | 1.00 | 1.09 |
| TXC031D4+4AYTXVH-3 | RATED | 800 | 0.98 | 1.06 |
| | LOW | 700 | 0.96 | 1.03 |
| | HIGH | 900 | 0.99 | 1.08 |

CORRECTION FACTORS FOR OTHER COMBINATIONS (MULTIPLY DATA BY FACTOR)

| INDOOR MODEL | | CFM | MBTUH TOT | SYST KW |
|--------------------|-------|-----|--------------|------------|
| TXC031D4+BAY24X045 | RATED | 800 | 0.99 | 1.06 |
| | LOW | 700 | 0.97 | 1.04 |
| | HIGH | 900 | 1.00 | 1.09 |
| TXC035C4+4AYTXVH-3 | RATED | 800 | 0.97 | 1.05 |
| | LOW | 700 | 0.95 | 1.02 |
| | HIGH | 900 | 0.98 | 1.07 |
| TXC035D4+4AYTXVH-3 | RATED | 800 | 0.97 | 1.05 |
| | LOW | 700 | 0.95 | 1.02 |
| | HIGH | 900 | 0.98 | 1.07 |
| TXC036C4+4AYTXVH-3 | RATED | 800 | 0.98 | 1.05 |
| | LOW | 700 | 0.96 | 1.03 |
| | HIGH | 900 | 0.99 | 1.08 |
| TXC036D4+4AYTXVH-3 | RATED | 800 | 0.98 | 1.05 |
| | LOW | 700 | 0.96 | 1.03 |
| | HIGH | 900 | 0.99 | 1.08 |
| TXC037C4+4AYTXVH-3 | RATED | 800 | 0.98 | 1.05 |
| | LOW | 700 | 0.96 | 1.03 |
| | HIGH | 900 | 0.99 | 1.08 |
| TXH033A4 | RATED | 800 | 1.00 | 1.07 |
| | LOW | 700 | 0.98 | 1.04 |
| | HIGH | 900 | 1.01 | 1.10 |
| TXH033A4+4AYTXVH-3 | RATED | 800 | 0.99 | 1.06 |
| | LOW | 700 | 0.97 | 1.03 |
| | HIGH | 900 | 1.00 | 1.09 |
| TXH033A4+BAY24X045 | RATED | 800 | 1.00 | 1.07 |
| | LOW | 700 | 0.98 | 1.04 |
| | HIGH | 900 | 1.01 | 1.10 |

4TWX4030B1

4TWX4030B1 WITH 4TEE3F31A1 AT 1000 CFM

| O.D. TEMP. F. | HEATING CAPACITY MBH AT INDOOR DRY BULB TEMP. | | | TOTAL POWER IN KILOWATTS AT INDOOR DRY BULB TEMP. | | |
|---------------------|--|------|------|--|------|------|
| | 70 | 75 | 80 | 70 | 75 | 80 |
| 2 | 13.7 | 13.6 | 13.5 | 2.24 | 2.31 | 2.37 |
| 7 | 15.2 | 15.1 | 14.9 | 2.25 | 2.32 | 2.39 |
| 12 | 16.7 | 16.5 | 16.4 | 2.27 | 2.33 | 2.40 |
| 17 | 18.2 | 18.0 | 17.8 | 2.28 | 2.35 | 2.41 |
| 22 | 19.2 | 19.0 | 18.9 | 2.29 | 2.36 | 2.43 |
| 27 | 20.3 | 20.1 | 19.9 | 2.31 | 2.38 | 2.44 |
| 32 | 21.4 | 21.2 | 21.0 | 2.32 | 2.39 | 2.46 |
| 37 | 22.9 | 22.6 | 22.4 | 2.33 | 2.40 | 2.47 |
| 42 | 24.9 | 24.7 | 24.5 | 2.34 | 2.41 | 2.48 |
| 47 | 27.0 | 26.7 | 26.5 | 2.35 | 2.42 | 2.49 |
| 52 | 28.5 | 28.2 | 27.9 | 2.36 | 2.44 | 2.51 |
| 57 | 29.9 | 29.6 | 29.4 | 2.38 | 2.45 | 2.52 |
| 62 | 31.4 | 31.1 | 30.8 | 2.39 | 2.46 | 2.53 |
| 67 | 32.9 | 32.6 | 32.3 | 2.40 | 2.47 | 2.55 |
| 72 | 34.4 | 34.0 | 33.7 | 2.41 | 2.49 | 2.56 |

CORRECTION FACTORS FOR OTHER AIRFLOWS (MULTIPLY DATA BY FACTOR)

| | AIRFLOW | TOTAL CAPACITY | SENSIBLE CAPACITY |
|------|---------|----------------|-------------------|
| LOW | 875 | 0.98 | 0.97 |
| HIGH | 1125 | 1.01 | 1.02 |

NOTE: ALL TABLES ABOVE ARE AT ARI RATING CONDITIONS RATED WITH 25 FEET OF REFRIGERANT LINES.

CORRECTION FACTORS FOR OTHER COMBINATIONS (MULTIPLY DATA BY FACTOR)

| INDOOR MODEL | | CFM | MBTUH TOT | SYST KW |
|--------------|-------|------|--------------|------------|
| 4TEE3F37A1 | RATED | 1000 | 0.97 | 0.95 |
| | LOW | 875 | 0.95 | 0.92 |
| | HIGH | 1125 | 0.98 | 0.97 |
| 4TEE3F40A1 | RATED | 1000 | 1.00 | 0.96 |
| | LOW | 875 | 0.99 | 0.94 |
| | HIGH | 1125 | 1.01 | 0.99 |
| 4TEP3F24A1 | RATED | 1000 | 0.94 | 0.98 |
| | LOW | 875 | 0.93 | 0.95 |
| | HIGH | 1125 | 0.95 | 1.00 |
| 4TEP3F30A1 | RATED | 1000 | 0.99 | 1.04 |
| | LOW | 875 | 0.97 | 1.01 |
| | HIGH | 1125 | 1.00 | 1.06 |
| 4TEP3F36A1 | RATED | 1000 | 0.99 | 1.03 |
| | LOW | 875 | 0.97 | 1.01 |
| | HIGH | 1125 | 1.00 | 1.06 |
| 4TEP3F42A1 | RATED | 1000 | 1.01 | 1.05 |
| | LOW | 875 | 1.00 | 1.03 |
| | HIGH | 1125 | 1.02 | 1.08 |
| RXC031S3 | RATED | 1000 | 1.00 | 1.04 |
| | LOW | 875 | 0.98 | 1.01 |
| | HIGH | 1125 | 1.01 | 1.06 |
| RXC036S3 | RATED | 1000 | 1.01 | 1.04 |
| | LOW | 875 | 1.00 | 1.01 |
| | HIGH | 1125 | 1.02 | 1.07 |



Performance Data Heating

4TWX4030B1

CORRECTION FACTORS FOR OTHER COMBINATIONS (MULTIPLY DATA BY FACTOR)

| INDOOR MODEL | | CFM | MBTUH TOT | SYST KW |
|-------------------------------|-------|------|--------------|------------|
| RXC037S3 | RATED | 1000 | 1.01 | 1.04 |
| | LOW | 875 | 1.00 | 1.01 |
| | HIGH | 1125 | 1.02 | 1.07 |
| TDD060R9V3+RXC031S3 | RATED | 1000 | 0.97 | 0.97 |
| | LOW | 875 | 0.96 | 0.94 |
| | HIGH | 1125 | 0.98 | 0.99 |
| TDD060R9V3+RXC036S3 | RATED | 1000 | 0.99 | 0.97 |
| | LOW | 875 | 0.97 | 0.95 |
| | HIGH | 1125 | 1.00 | 0.99 |
| TDD060R9V3+TXH033A4 | RATED | 1000 | 0.97 | 0.95 |
| | LOW | 875 | 0.95 | 0.93 |
| | HIGH | 1125 | 0.98 | 0.98 |
| TDD060R9V3+TXH033A4+4AYTXVH-3 | RATED | 1000 | 0.97 | 0.96 |
| | LOW | 875 | 0.95 | 0.93 |
| | HIGH | 1125 | 0.98 | 0.98 |
| TDD060R9V3+TXH041A4+4AYTXVH-3 | RATED | 1000 | 0.98 | 0.96 |
| | LOW | 875 | 0.97 | 0.94 |
| | HIGH | 1125 | 0.99 | 0.99 |
| TDD080R9V3+RXC031S3 | RATED | 1000 | 0.97 | 0.96 |
| | LOW | 875 | 0.95 | 0.94 |
| | HIGH | 1125 | 0.98 | 0.98 |
| TDD080R9V3+RXC036S3 | RATED | 1000 | 0.98 | 0.97 |
| | LOW | 875 | 0.97 | 0.94 |
| | HIGH | 1125 | 0.99 | 0.99 |
| TDD080R9V3+TXH033A4 | RATED | 1000 | 0.96 | 0.95 |
| | LOW | 875 | 0.95 | 0.92 |
| | HIGH | 1125 | 0.97 | 0.97 |
| TDD080R9V3+TXH033A4+4AYTXVH-3 | RATED | 1000 | 0.96 | 0.95 |
| | LOW | 875 | 0.95 | 0.92 |
| | HIGH | 1125 | 0.97 | 0.97 |
| TDD080R9V3+TXH041A4+4AYTXVH-3 | RATED | 1000 | 0.97 | 0.96 |
| | LOW | 875 | 0.96 | 0.93 |
| | HIGH | 1125 | 0.98 | 0.98 |
| TDY060R9V3+RXC031S3 | RATED | 1000 | 0.95 | 0.95 |
| | LOW | 875 | 0.94 | 0.93 |
| | HIGH | 1125 | 0.96 | 0.98 |
| TDY060R9V3+RXC036S3 | RATED | 1000 | 0.97 | 0.96 |
| | LOW | 875 | 0.95 | 0.94 |
| | HIGH | 1125 | 0.98 | 0.99 |
| TDY060R9V3+TXH033A4 | RATED | 1000 | 0.94 | 0.94 |
| | LOW | 875 | 0.93 | 0.92 |
| | HIGH | 1125 | 0.95 | 0.97 |
| TDY060R9V3+TXH033A4+4AYTXVH-3 | RATED | 1000 | 0.94 | 0.95 |
| | LOW | 875 | 0.93 | 0.92 |
| | HIGH | 1125 | 0.95 | 0.97 |
| TDY060R9V3+TXH041A4+4AYTXVH-3 | RATED | 1000 | 0.96 | 0.95 |
| | LOW | 875 | 0.95 | 0.93 |
| | HIGH | 1125 | 0.97 | 0.97 |
| TDY080R9V3+RXC031S3 | RATED | 1000 | 0.96 | 0.97 |
| | LOW | 875 | 0.95 | 0.95 |
| | HIGH | 1125 | 0.97 | 1.00 |
| TDY080R9V3+RXC036S3 | RATED | 1000 | 0.97 | 0.98 |
| | LOW | 875 | 0.96 | 0.95 |
| | HIGH | 1125 | 0.98 | 1.00 |
| TDY080R9V3+TXH033A4 | RATED | 1000 | 0.95 | 0.96 |
| | LOW | 875 | 0.94 | 0.94 |
| | HIGH | 1125 | 0.96 | 0.98 |
| TDY080R9V3+TXH033A4+4AYTXVH-3 | RATED | 1000 | 0.95 | 0.96 |
| | LOW | 875 | 0.94 | 0.94 |
| | HIGH | 1125 | 0.96 | 0.98 |
| TDY080R9V3+TXH041A4+4AYTXVH-3 | RATED | 1000 | 0.97 | 0.97 |
| | LOW | 875 | 0.94 | 0.94 |
| | HIGH | 1125 | 0.96 | 0.98 |

CORRECTION FACTORS FOR OTHER COMBINATIONS (MULTIPLY DATA BY FACTOR)

| INDOOR MODEL | | CFM | MBTUH TOT | SYST KW |
|-------------------------------|-------|------|--------------|------------|
| TUD060R9V3+RXC031S3 | RATED | 1000 | 0.99 | 0.99 |
| | LOW | 875 | 0.97 | 0.97 |
| | HIGH | 1125 | 1.00 | 1.02 |
| TUD060R9V3+RXC036S3 | RATED | 1000 | 1.00 | 0.99 |
| | LOW | 875 | 0.99 | 0.97 |
| | HIGH | 1125 | 1.01 | 1.02 |
| TUD060R9V3+TXH033A4 | RATED | 1000 | 0.97 | 0.97 |
| | LOW | 875 | 0.96 | 0.95 |
| | HIGH | 1125 | 0.98 | 1.00 |
| TUD060R9V3+TXH033A4+4AYTXVH-3 | RATED | 1000 | 0.97 | 0.97 |
| | LOW | 875 | 0.96 | 0.95 |
| | HIGH | 1125 | 0.98 | 1.00 |
| TUD060R9V3+TXH041A4+4AYTXVH-3 | RATED | 1000 | 0.99 | 0.98 |
| | LOW | 875 | 0.97 | 0.95 |
| | HIGH | 1125 | 1.00 | 1.00 |
| TUD080R9V3+RXC031S3 | RATED | 1000 | 0.97 | 0.97 |
| | LOW | 875 | 0.96 | 0.94 |
| | HIGH | 1125 | 0.98 | 0.99 |
| TUD080R9V3+RXC036S3 | RATED | 1000 | 1.00 | 0.98 |
| | LOW | 875 | 0.98 | 0.95 |
| | HIGH | 1125 | 1.01 | 1.00 |
| TUD080R9V3+TXH033A4 | RATED | 1000 | 0.97 | 0.97 |
| | LOW | 875 | 0.96 | 0.94 |
| | HIGH | 1125 | 0.98 | 0.99 |
| TUD080R9V3+TXH033A4+4AYTXVH-3 | RATED | 1000 | 0.97 | 0.96 |
| | LOW | 875 | 0.95 | 0.93 |
| | HIGH | 1125 | 0.98 | 0.98 |
| TUD080R9V3+TXH041A4+4AYTXVH-3 | RATED | 1000 | 0.98 | 0.96 |
| | LOW | 875 | 0.97 | 0.94 |
| | HIGH | 1125 | 0.99 | 0.99 |
| TUY060R9V3+RXC031S3 | RATED | 1000 | 0.96 | 0.96 |
| | LOW | 875 | 0.95 | 0.94 |
| | HIGH | 1125 | 0.97 | 0.99 |
| TUY060R9V3+RXC036S3 | RATED | 1000 | 0.97 | 0.97 |
| | LOW | 875 | 0.96 | 0.95 |
| | HIGH | 1125 | 0.98 | 1.00 |
| TUY060R9V3+TXH033A4 | RATED | 1000 | 0.94 | 0.94 |
| | LOW | 875 | 0.93 | 0.92 |
| | HIGH | 1125 | 0.95 | 0.97 |
| TUY060R9V3+TXH033A4+4AYTXVH-3 | RATED | 1000 | 0.94 | 0.95 |
| | LOW | 875 | 0.93 | 0.92 |
| | HIGH | 1125 | 0.95 | 0.97 |
| TUY060R9V3+TXH041A4+4AYTXVH-3 | RATED | 1000 | 0.96 | 0.96 |
| | LOW | 875 | 0.95 | 0.93 |
| | HIGH | 1125 | 0.97 | 0.98 |
| TUY080R9V3+RXC031S3 | RATED | 1000 | 0.95 | 0.95 |
| | LOW | 875 | 0.94 | 0.93 |
| | HIGH | 1125 | 0.96 | 0.98 |
| TUY080R9V3+RXC036S3 | RATED | 1000 | 0.97 | 0.96 |
| | LOW | 875 | 0.95 | 0.93 |
| | HIGH | 1125 | 0.98 | 0.98 |
| TUY080R9V3+TXH033A4 | RATED | 1000 | 0.94 | 0.93 |
| | LOW | 875 | 0.92 | 0.91 |
| | HIGH | 1125 | 0.95 | 0.95 |
| TUY080R9V3+TXH033A4+4AYTXVH-3 | RATED | 1000 | 0.94 | 0.94 |
| | LOW | 875 | 0.92 | 0.91 |
| | HIGH | 1125 | 0.95 | 0.96 |
| TUY080R9V3+TXH041A4+4AYTXVH-3 | RATED | 1000 | 0.95 | 0.94 |
| | LOW | 875 | 0.94 | 0.92 |
| | HIGH | 1125 | 0.96 | 0.97 |
| TWE030C14 | RATED | 1000 | 0.96 | 1.01 |
| | LOW | 875 | 0.95 | 0.99 |
| | HIGH | 1125 | 0.97 | 1.04 |



Performance Data Heating

4TWX4030B1

CORRECTION FACTORS FOR OTHER COMBINATIONS (MULTIPLY DATA BY FACTOR)

| INDOOR MODEL | | CFM | MBTUH TOT | SYST KW |
|---------------------|-------|------|--------------|------------|
| TWE030C14+4AYTXVH-3 | RATED | 1000 | 0.97 | 1.03 |
| | LOW | 875 | 0.95 | 1.00 |
| | HIGH | 1125 | 0.98 | 1.05 |
| TWE036C14 | RATED | 1000 | 0.98 | 1.03 |
| | LOW | 875 | 0.97 | 1.00 |
| | HIGH | 1125 | 0.99 | 1.05 |
| TWE036C14+4AYTXVH-3 | RATED | 1000 | 0.97 | 1.02 |
| | LOW | 875 | 0.96 | 1.00 |
| | HIGH | 1125 | 0.98 | 1.05 |
| TWE042C14+4AYTXVH-3 | RATED | 1000 | 0.99 | 1.03 |
| | LOW | 875 | 0.97 | 1.00 |
| | HIGH | 1125 | 1.00 | 1.05 |
| TXA025C4+4AYTXVH-3 | RATED | 1000 | 0.96 | 1.03 |
| | LOW | 875 | 0.95 | 1.00 |
| | HIGH | 1125 | 0.97 | 1.05 |
| TXA030C4+4AYTXVH-3 | RATED | 1000 | 0.97 | 1.03 |
| | LOW | 875 | 0.96 | 1.00 |
| | HIGH | 1125 | 0.98 | 1.05 |
| TXA031C4+4AYTXVH-3 | RATED | 1000 | 0.98 | 1.03 |
| | LOW | 875 | 0.97 | 1.01 |
| | HIGH | 1125 | 0.99 | 1.06 |
| TXA031C4+BAY24X045 | RATED | 1000 | 0.98 | 1.03 |
| | LOW | 875 | 0.97 | 1.00 |
| | HIGH | 1125 | 0.99 | 1.05 |
| TXA035C4+4AYTXVH-3 | RATED | 1000 | 0.97 | 1.03 |
| | LOW | 875 | 0.96 | 1.00 |
| | HIGH | 1125 | 0.98 | 1.05 |
| TXA036C4+4AYTXVH-3 | RATED | 1000 | 0.98 | 1.03 |
| | LOW | 875 | 0.97 | 1.00 |
| | HIGH | 1125 | 0.99 | 1.05 |
| TXA036C4+BAY24X045 | RATED | 1000 | 0.99 | 1.03 |
| | LOW | 875 | 0.97 | 1.01 |
| | HIGH | 1125 | 1.00 | 1.06 |
| TXA037C4+4AYTXVH-3 | RATED | 1000 | 0.98 | 1.03 |
| | LOW | 875 | 0.97 | 1.00 |
| | HIGH | 1125 | 0.99 | 1.05 |
| TXA037C4+BAY24X045 | RATED | 1000 | 0.99 | 1.03 |
| | LOW | 875 | 0.97 | 1.01 |
| | HIGH | 1125 | 1.00 | 1.06 |
| TXA042C4+4AYTXVH-3 | RATED | 1000 | 0.99 | 1.03 |
| | LOW | 875 | 0.97 | 1.00 |
| | HIGH | 1125 | 1.00 | 1.06 |
| TXA043C4+4AYTXVH-3 | RATED | 1000 | 0.99 | 1.03 |
| | LOW | 875 | 0.97 | 1.00 |
| | HIGH | 1125 | 1.00 | 1.06 |
| TXC025C4+4AYTXVH-3 | RATED | 1000 | 0.96 | 1.03 |
| | LOW | 875 | 0.95 | 1.00 |
| | HIGH | 1125 | 0.97 | 1.05 |
| TXC025D4+4AYTXVH-3 | RATED | 1000 | 0.96 | 1.03 |
| | LOW | 875 | 0.95 | 1.00 |
| | HIGH | 1125 | 0.97 | 1.05 |
| TXC030C4+4AYTXVH-3 | RATED | 1000 | 0.97 | 1.03 |
| | LOW | 875 | 0.96 | 1.00 |
| | HIGH | 1125 | 0.98 | 1.05 |

CORRECTION FACTORS FOR OTHER COMBINATIONS (MULTIPLY DATA BY FACTOR)

| INDOOR MODEL | | CFM | MBTUH TOT | SYST KW |
|--------------------|-------|------|--------------|------------|
| TXC030D4+4AYTXVH-3 | RATED | 1000 | 0.97 | 1.03 |
| | LOW | 875 | 0.96 | 1.00 |
| | HIGH | 1125 | 0.98 | 1.05 |
| TXC031C4+4AYTXVH-3 | RATED | 1000 | 0.98 | 1.03 |
| | LOW | 875 | 0.97 | 1.01 |
| | HIGH | 1125 | 0.99 | 1.06 |
| TXC031C4+BAY24X045 | RATED | 1000 | 0.98 | 1.03 |
| | LOW | 875 | 0.97 | 1.00 |
| | HIGH | 1125 | 0.99 | 1.05 |
| TXC031D4+4AYTXVH-3 | RATED | 1000 | 0.98 | 1.03 |
| | LOW | 875 | 0.97 | 1.01 |
| | HIGH | 1125 | 0.99 | 1.06 |
| TXC031D4+BAY24X045 | RATED | 1000 | 0.98 | 1.03 |
| | LOW | 875 | 0.97 | 1.00 |
| | HIGH | 1125 | 0.99 | 1.05 |
| TXC035C4+4AYTXVH-3 | RATED | 1000 | 0.97 | 1.03 |
| | LOW | 875 | 0.96 | 1.00 |
| | HIGH | 1125 | 0.98 | 1.05 |
| TXC035D4+4AYTXVH-3 | RATED | 1000 | 0.97 | 1.03 |
| | LOW | 875 | 0.96 | 1.00 |
| | HIGH | 1125 | 0.98 | 1.05 |
| TXC036C4+4AYTXVH-3 | RATED | 1000 | 0.98 | 1.03 |
| | LOW | 875 | 0.97 | 1.00 |
| | HIGH | 1125 | 0.99 | 1.05 |
| TXC036C4+BAY24X045 | RATED | 1000 | 0.99 | 1.03 |
| | LOW | 875 | 0.97 | 1.01 |
| | HIGH | 1125 | 1.00 | 1.06 |
| TXC036D4+4AYTXVH-3 | RATED | 1000 | 0.98 | 1.03 |
| | LOW | 875 | 0.97 | 1.00 |
| | HIGH | 1125 | 0.99 | 1.05 |
| TXC036D4+BAY24X045 | RATED | 1000 | 0.99 | 1.03 |
| | LOW | 875 | 0.97 | 1.01 |
| | HIGH | 1125 | 1.00 | 1.06 |
| TXC037C4+4AYTXVH-3 | RATED | 1000 | 0.98 | 1.03 |
| | LOW | 875 | 0.97 | 1.00 |
| | HIGH | 1125 | 0.99 | 1.05 |
| TXC037C4+BAY24X045 | RATED | 1000 | 0.99 | 1.03 |
| | LOW | 875 | 0.97 | 1.01 |
| | HIGH | 1125 | 1.00 | 1.06 |
| TXC042C4+4AYTXVH-3 | RATED | 1000 | 0.99 | 1.03 |
| | LOW | 875 | 0.97 | 1.00 |
| | HIGH | 1125 | 1.00 | 1.06 |
| TXC043C4+4AYTXVH-3 | RATED | 1000 | 0.99 | 1.03 |
| | LOW | 875 | 0.97 | 1.00 |
| | HIGH | 1125 | 1.00 | 1.06 |
| TXH033A4+4AYTXVH-3 | RATED | 1000 | 0.99 | 1.03 |
| | LOW | 875 | 0.97 | 1.01 |
| | HIGH | 1125 | 1.00 | 1.06 |
| TXH033A4+BAY24X045 | RATED | 1000 | 0.99 | 1.03 |
| | LOW | 875 | 0.97 | 1.01 |
| | HIGH | 1125 | 1.00 | 1.06 |
| TXH041A4+4AYTXVH-3 | RATED | 1000 | 1.00 | 1.04 |
| | LOW | 875 | 0.99 | 1.01 |
| | HIGH | 1125 | 1.01 | 1.06 |



Performance Data Heating

4TWX4036B1

4TWX4036B1 WITH 4TEE3F37A1 AT 1200 CFM

| O.D. TEMP. F. | HEATING CAPACITY MBH AT INDOOR DRY BULB TEMP. | | | TOTAL POWER IN KILOWATTS AT INDOOR DRY BULB TEMP. | | |
|---------------|---|------|------|---|------|------|
| | 70 | 75 | 80 | 70 | 75 | 80 |
| | 2 | 18.7 | 18.5 | 18.3 | 2.77 | 2.86 |
| 7 | 20.2 | 20.0 | 19.8 | 2.77 | 2.85 | 2.93 |
| 12 | 21.7 | 21.4 | 21.2 | 2.76 | 2.84 | 2.93 |
| 17 | 23.1 | 22.9 | 22.7 | 2.76 | 2.84 | 2.92 |
| 22 | 24.5 | 24.3 | 24.1 | 2.79 | 2.87 | 2.96 |
| 27 | 26.0 | 25.7 | 25.5 | 2.82 | 2.91 | 2.99 |
| 32 | 27.4 | 27.1 | 26.8 | 2.86 | 2.94 | 3.03 |
| 37 | 28.8 | 28.6 | 28.3 | 2.85 | 2.94 | 3.02 |
| 42 | 30.4 | 30.1 | 29.8 | 2.79 | 2.87 | 2.95 |
| 47 | 32.0 | 31.7 | 31.4 | 2.72 | 2.80 | 2.88 |
| 52 | 33.5 | 33.1 | 32.8 | 2.71 | 2.79 | 2.87 |
| 57 | 35.0 | 34.6 | 34.3 | 2.70 | 2.79 | 2.87 |
| 62 | 36.4 | 36.1 | 35.7 | 2.70 | 2.78 | 2.86 |
| 67 | 37.9 | 37.5 | 37.2 | 2.69 | 2.77 | 2.85 |
| 72 | 39.4 | 39.0 | 38.6 | 2.69 | 2.77 | 2.85 |

CORRECTION FACTORS FOR OTHER AIRFLOWS (MULTIPLY DATA BY FACTOR)

| AIRFLOW | TOTAL CAPACITY | SENSIBLE CAPACITY |
|---------|----------------|-------------------|
| LOW | 1050 | 0.98 |
| HIGH | 1350 | 1.01 |

NOTE: ALL TABLES ABOVE ARE AT ARI RATING CONDITIONS RATED WITH 25 FEET OF REFRIGERANT LINES.

CORRECTION FACTORS FOR OTHER COMBINATIONS (MULTIPLY DATA BY FACTOR)

| INDOOR MODEL | CFM | MBTUH TOT | SYST KW |
|---------------------|-------|-----------|---------|
| 4TEE3F31A1 | RATED | 1200 | 0.99 |
| | LOW | 1050 | 0.98 |
| | HIGH | 1350 | 1.00 |
| 4TEE3F40A1 | RATED | 1200 | 1.01 |
| | LOW | 1050 | 1.00 |
| | HIGH | 1350 | 1.02 |
| 4TEP3F30A1 | RATED | 1200 | 0.97 |
| | LOW | 1050 | 0.96 |
| | HIGH | 1350 | 0.98 |
| 4TEP3F36A1 | RATED | 1200 | 1.00 |
| | LOW | 1050 | 0.98 |
| | HIGH | 1350 | 1.01 |
| 4TEP3F42A1 | RATED | 1200 | 1.01 |
| | LOW | 1050 | 1.00 |
| | HIGH | 1350 | 1.02 |
| 4TEP3F48B1 | RATED | 1200 | 1.04 |
| | LOW | 1050 | 1.03 |
| | HIGH | 1350 | 1.05 |
| RXC031S3 | RATED | 1200 | 0.99 |
| | LOW | 1050 | 0.98 |
| | HIGH | 1350 | 1.00 |
| RXC036S3 | RATED | 1200 | 1.02 |
| | LOW | 1050 | 1.01 |
| | HIGH | 1350 | 1.03 |
| RXC037S3 | RATED | 1200 | 1.02 |
| | LOW | 1050 | 1.01 |
| | HIGH | 1350 | 1.03 |
| RXC054S3 | RATED | 1200 | 1.01 |
| | LOW | 1050 | 1.00 |
| | HIGH | 1350 | 1.02 |
| TDD060R9V3+RXC031S3 | RATED | 1200 | 0.99 |
| | LOW | 1050 | 0.98 |
| | HIGH | 1350 | 1.01 |
| TDD060R9V3+RXC036S3 | RATED | 1200 | 1.01 |
| | LOW | 1050 | 1.00 |
| | HIGH | 1350 | 1.02 |

CORRECTION FACTORS FOR OTHER COMBINATIONS (MULTIPLY DATA BY FACTOR)

| INDOOR MODEL | CFM | MBTUH TOT | SYST KW |
|-------------------------------|-------|-----------|---------|
| TDD060R9V3+TXH033A4 | RATED | 1200 | 0.98 |
| | LOW | 1050 | 0.96 |
| | HIGH | 1350 | 0.99 |
| TDD060R9V3+TXH033A4+4AYTXVH-3 | RATED | 1200 | 0.98 |
| | LOW | 1050 | 0.96 |
| | HIGH | 1350 | 0.99 |
| TDD060R9V3+TXH041A4 | RATED | 1200 | 1.00 |
| | LOW | 1050 | 0.99 |
| | HIGH | 1350 | 1.01 |
| TDD060R9V3+TXH041A4+4AYTXVH-3 | RATED | 1200 | 0.99 |
| | LOW | 1050 | 0.98 |
| | HIGH | 1350 | 1.01 |
| TDD080R9V3+RXC031S3 | RATED | 1200 | 0.98 |
| | LOW | 1050 | 0.97 |
| | HIGH | 1350 | 0.99 |
| TDD080R9V3+RXC036S3 | RATED | 1200 | 1.00 |
| | LOW | 1050 | 0.98 |
| | HIGH | 1350 | 1.01 |
| TDD080R9V3+TXH033A4 | RATED | 1200 | 0.96 |
| | LOW | 1050 | 0.95 |
| | HIGH | 1350 | 0.97 |
| TDD080R9V3+TXH033A4+4AYTXVH-3 | RATED | 1200 | 0.96 |
| | LOW | 1050 | 0.95 |
| | HIGH | 1350 | 0.97 |
| TDD080R9V3+TXH041A4 | RATED | 1200 | 0.99 |
| | LOW | 1050 | 0.98 |
| | HIGH | 1350 | 1.00 |
| TDD080R9V3+TXH041A4+4AYTXVH-3 | RATED | 1200 | 0.99 |
| | LOW | 1050 | 0.98 |
| | HIGH | 1350 | 1.00 |
| TDD100R9V5+RXC037S3 | RATED | 1200 | 0.98 |
| | LOW | 1050 | 0.96 |
| | HIGH | 1350 | 0.99 |
| TDD100R9V5+TXH033A4 | RATED | 1200 | 0.94 |
| | LOW | 1050 | 0.93 |
| | HIGH | 1350 | 0.95 |
| TDD100R9V5+TXH033A4+4AYTXVH-3 | RATED | 1200 | 0.95 |
| | LOW | 1050 | 0.93 |
| | HIGH | 1350 | 0.96 |
| TDD100R9V5+TXH041A4 | RATED | 1200 | 0.96 |
| | LOW | 1050 | 0.95 |
| | HIGH | 1350 | 0.97 |
| TDD100R9V5+TXH041A4+4AYTXVH-3 | RATED | 1200 | 0.96 |
| | LOW | 1050 | 0.95 |
| | HIGH | 1350 | 0.97 |
| TDY060R9V3+RXC031S3 | RATED | 1200 | 0.98 |
| | LOW | 1050 | 0.96 |
| | HIGH | 1350 | 0.99 |
| TDY060R9V3+RXC036S3 | RATED | 1200 | 1.00 |
| | LOW | 1050 | 0.98 |
| | HIGH | 1350 | 1.01 |
| TDY060R9V3+TXH033A4 | RATED | 1200 | 0.95 |
| | LOW | 1050 | 0.94 |
| | HIGH | 1350 | 0.96 |
| TDY060R9V3+TXH033A4+4AYTXVH-3 | RATED | 1200 | 0.96 |
| | LOW | 1050 | 0.95 |
| | HIGH | 1350 | 0.97 |
| TDY060R9V3+TXH041A4 | RATED | 1200 | 0.98 |
| | LOW | 1050 | 0.96 |
| | HIGH | 1350 | 0.99 |
| TDY060R9V3+TXH041A4+4AYTXVH-3 | RATED | 1200 | 0.98 |
| | LOW | 1050 | 0.96 |
| | HIGH | 1350 | 0.99 |



Performance Data Heating

4TWX4036B1

CORRECTION FACTORS FOR OTHER COMBINATIONS (MULTIPLY DATA BY FACTOR)

| INDOOR MODEL | | CFM | MBTUH TOT | SYST KW |
|-------------------------------|-------|------|--------------|------------|
| TDY080R9V3+RXC031S3 | RATED | 1200 | 0.98 | 1.03 |
| | LOW | 1050 | 0.97 | 1.00 |
| | HIGH | 1350 | 0.99 | 1.05 |
| TDY080R9V3+RXC036S3 | RATED | 1200 | 1.00 | 1.03 |
| | LOW | 1050 | 0.99 | 1.01 |
| | HIGH | 1350 | 1.01 | 1.06 |
| TDY080R9V3+TXH033A4 | RATED | 1200 | 0.96 | 1.00 |
| | LOW | 1050 | 0.95 | 0.98 |
| | HIGH | 1350 | 0.97 | 1.03 |
| TDY080R9V3+TXH033A4+4AYTXVH-3 | RATED | 1200 | 0.97 | 1.02 |
| | LOW | 1050 | 0.96 | 0.99 |
| | HIGH | 1350 | 0.98 | 1.04 |
| TDY080R9V3+TXH041A4 | RATED | 1200 | 0.99 | 1.01 |
| | LOW | 1050 | 0.98 | 0.99 |
| | HIGH | 1350 | 1.00 | 1.04 |
| TDY080R9V3+TXH041A4+4AYTXVH-3 | RATED | 1200 | 0.99 | 1.02 |
| | LOW | 1050 | 0.98 | 0.99 |
| | HIGH | 1350 | 1.00 | 1.04 |
| TDY100R9V4+RXC037S3 | RATED | 1200 | 0.98 | 1.00 |
| | LOW | 1050 | 0.97 | 0.97 |
| | HIGH | 1350 | 0.99 | 1.02 |
| TDY100R9V4+TXH033A4 | RATED | 1200 | 0.95 | 0.98 |
| | LOW | 1050 | 0.94 | 0.96 |
| | HIGH | 1350 | 0.96 | 1.01 |
| TDY100R9V4+TXH033A4+4AYTXVH-3 | RATED | 1200 | 0.96 | 0.99 |
| | LOW | 1050 | 0.95 | 0.97 |
| | HIGH | 1350 | 0.97 | 1.02 |
| TDY100R9V4+TXH041A4 | RATED | 1200 | 0.98 | 0.99 |
| | LOW | 1050 | 0.96 | 0.96 |
| | HIGH | 1350 | 0.99 | 1.01 |
| TDY100R9V4+TXH041A4+4AYTXVH-3 | RATED | 1200 | 0.98 | 0.99 |
| | LOW | 1050 | 0.96 | 0.97 |
| | HIGH | 1350 | 0.99 | 1.02 |
| TUD060R9V3+RXC031S3 | RATED | 1200 | 1.00 | 1.03 |
| | LOW | 1050 | 0.98 | 1.01 |
| | HIGH | 1350 | 1.01 | 1.06 |
| TUD060R9V3+RXC036S3 | RATED | 1200 | 1.01 | 1.04 |
| | LOW | 1050 | 1.00 | 1.01 |
| | HIGH | 1350 | 1.02 | 1.06 |
| TUD060R9V3+TXH033A4 | RATED | 1200 | 0.98 | 1.02 |
| | LOW | 1050 | 0.97 | 0.99 |
| | HIGH | 1350 | 0.99 | 1.04 |
| TUD060R9V3+TXH033A4+4AYTXVH-3 | RATED | 1200 | 0.98 | 1.02 |
| | LOW | 1050 | 0.97 | 0.99 |
| | HIGH | 1350 | 0.99 | 1.04 |
| TUD060R9V3+TXH041A4 | RATED | 1200 | 1.01 | 1.03 |
| | LOW | 1050 | 0.99 | 1.00 |
| | HIGH | 1350 | 1.02 | 1.05 |
| TUD060R9V3+TXH041A4+4AYTXVH-3 | RATED | 1200 | 1.00 | 1.02 |
| | LOW | 1050 | 0.99 | 0.99 |
| | HIGH | 1350 | 1.01 | 1.04 |
| TUD080R9V3+RXC031S3 | RATED | 1200 | 1.00 | 1.03 |
| | LOW | 1050 | 0.98 | 1.01 |
| | HIGH | 1350 | 1.01 | 1.06 |
| TUD080R9V3+RXC036S3 | RATED | 1200 | 1.01 | 1.03 |
| | LOW | 1050 | 1.00 | 1.01 |
| | HIGH | 1350 | 1.02 | 1.06 |
| TUD080R9V3+TXH033A4 | RATED | 1200 | 0.98 | 1.00 |
| | LOW | 1050 | 0.96 | 0.98 |
| | HIGH | 1350 | 0.99 | 1.03 |
| TUD080R9V3+TXH033A4+4AYTXVH-3 | RATED | 1200 | 0.98 | 1.01 |
| | LOW | 1050 | 0.96 | 0.98 |
| | HIGH | 1350 | 0.99 | 1.03 |

CORRECTION FACTORS FOR OTHER COMBINATIONS (MULTIPLY DATA BY FACTOR)

| INDOOR MODEL | | CFM | MBTUH TOT | SYST KW |
|-------------------------------|-------|------|--------------|------------|
| TUD080R9V3+TXH041A4 | RATED | 1200 | 1.00 | 1.01 |
| | LOW | 1050 | 0.99 | 0.99 |
| | HIGH | 1350 | 1.01 | 1.04 |
| TUD080R9V3+TXH041A4+4AYTXVH-3 | RATED | 1200 | 1.00 | 1.01 |
| | LOW | 1050 | 0.98 | 0.98 |
| | HIGH | 1350 | 1.01 | 1.03 |
| TUD100R9V5+RXC037S3 | RATED | 1200 | 0.98 | 0.97 |
| | LOW | 1050 | 0.96 | 0.95 |
| | HIGH | 1350 | 0.99 | 0.99 |
| TUD100R9V5+TXH033A4 | RATED | 1200 | 0.95 | 0.95 |
| | LOW | 1050 | 0.93 | 0.93 |
| | HIGH | 1350 | 0.96 | 0.98 |
| TUD100R9V5+TXH033A4+4AYTXVH-3 | RATED | 1200 | 0.95 | 0.96 |
| | LOW | 1050 | 0.93 | 0.93 |
| | HIGH | 1350 | 0.96 | 0.98 |
| TUD100R9V5+TXH041A4 | RATED | 1200 | 0.97 | 0.96 |
| | LOW | 1050 | 0.96 | 0.94 |
| | HIGH | 1350 | 0.98 | 0.99 |
| TUD100R9V5+TXH041A4+4AYTXVH-3 | RATED | 1200 | 0.96 | 0.96 |
| | LOW | 1050 | 0.95 | 0.94 |
| | HIGH | 1350 | 0.97 | 0.98 |
| TUY060R9V3+RXC031S3 | RATED | 1200 | 0.98 | 1.02 |
| | LOW | 1050 | 0.96 | 0.99 |
| | HIGH | 1350 | 0.99 | 1.04 |
| TUY060R9V3+RXC036S3 | RATED | 1200 | 0.99 | 1.01 |
| | LOW | 1050 | 0.98 | 0.99 |
| | HIGH | 1350 | 1.00 | 1.04 |
| TUY060R9V3+TXH033A4 | RATED | 1200 | 0.96 | 0.99 |
| | LOW | 1050 | 0.95 | 0.97 |
| | HIGH | 1350 | 0.97 | 1.02 |
| TUY060R9V3+TXH033A4+4AYTXVH-3 | RATED | 1200 | 0.96 | 1.00 |
| | LOW | 1050 | 0.95 | 0.97 |
| | HIGH | 1350 | 0.97 | 1.02 |
| TUY060R9V3+TXH041A4 | RATED | 1200 | 0.98 | 1.00 |
| | LOW | 1050 | 0.96 | 0.97 |
| | HIGH | 1350 | 0.99 | 1.02 |
| TUY060R9V3+TXH041A4+4AYTXVH-3 | RATED | 1200 | 0.98 | 1.00 |
| | LOW | 1050 | 0.96 | 0.97 |
| | HIGH | 1350 | 0.99 | 1.02 |
| TUY080R9V3+RXC031S3 | RATED | 1200 | 0.96 | 1.00 |
| | LOW | 1050 | 0.95 | 0.97 |
| | HIGH | 1350 | 0.97 | 1.02 |
| TUY080R9V3+RXC036S3 | RATED | 1200 | 0.98 | 1.00 |
| | LOW | 1050 | 0.97 | 0.98 |
| | HIGH | 1350 | 0.99 | 1.03 |
| TUY080R9V3+TXH033A4 | RATED | 1200 | 0.95 | 0.97 |
| | LOW | 1050 | 0.93 | 0.95 |
| | HIGH | 1350 | 0.96 | 1.00 |
| TUY080R9V3+TXH033A4+4AYTXVH-3 | RATED | 1200 | 0.95 | 0.98 |
| | LOW | 1050 | 0.94 | 0.96 |
| | HIGH | 1350 | 0.96 | 1.01 |
| TUY080R9V3+TXH041A4 | RATED | 1200 | 0.97 | 0.98 |
| | LOW | 1050 | 0.96 | 0.96 |
| | HIGH | 1350 | 0.98 | 1.01 |
| TUY080R9V3+TXH041A4+4AYTXVH-3 | RATED | 1200 | 0.97 | 0.98 |
| | LOW | 1050 | 0.96 | 0.96 |
| | HIGH | 1350 | 0.98 | 1.01 |
| TUY100R9V4+RXC037S3 | RATED | 1200 | 0.98 | 0.99 |
| | LOW | 1050 | 0.97 | 0.96 |
| | HIGH | 1350 | 0.99 | 1.01 |
| TUY100R9V4+TXH033A4 | RATED | 1200 | 0.95 | 0.97 |
| | LOW | 1050 | 0.93 | 0.94 |
| | HIGH | 1350 | 0.96 | 0.99 |



Performance Data Heating

4TWX4036B1

CORRECTION FACTORS FOR OTHER COMBINATIONS (MULTIPLY DATA BY FACTOR)

| INDOOR MODEL | | CFM | MBTUH TOT | SYST KW |
|-------------------------------|-------|------|--------------|------------|
| TUY100R9V4+TXH033A4+4AYTXVH-3 | RATED | 1200 | 0.95 | 0.97 |
| | LOW | 1050 | 0.94 | 0.95 |
| | HIGH | 1350 | 0.96 | 1.00 |
| TUY100R9V4+TXH041A4 | RATED | 1200 | 0.97 | 0.98 |
| | LOW | 1050 | 0.96 | 0.95 |
| | HIGH | 1350 | 0.98 | 1.00 |
| TUY100R9V4+TXH041A4+4AYTXVH-3 | RATED | 1200 | 0.97 | 0.98 |
| | LOW | 1050 | 0.96 | 0.95 |
| | HIGH | 1350 | 0.98 | 1.00 |
| TWE036C14 | RATED | 1200 | 0.98 | 1.04 |
| | LOW | 1050 | 0.97 | 1.01 |
| | HIGH | 1350 | 0.99 | 1.06 |
| TWE036C14+4AYTXVH-3 | RATED | 1200 | 0.98 | 1.04 |
| | LOW | 1050 | 0.97 | 1.02 |
| | HIGH | 1350 | 0.99 | 1.07 |
| TWE042C14 | RATED | 1200 | 1.00 | 1.05 |
| | LOW | 1050 | 0.99 | 1.03 |
| | HIGH | 1350 | 1.01 | 1.08 |
| TWE042C14+4AYTXVH-3 | RATED | 1200 | 1.00 | 1.06 |
| | LOW | 1050 | 0.99 | 1.03 |
| | HIGH | 1350 | 1.01 | 1.08 |
| TWE048C14+4AYTXVH-3 | RATED | 1200 | 1.02 | 1.07 |
| | LOW | 1050 | 1.01 | 1.05 |
| | HIGH | 1350 | 1.03 | 1.10 |
| TXA030C4+4AYTXVH-3 | RATED | 1200 | 0.96 | 1.04 |
| | LOW | 1050 | 0.95 | 1.02 |
| | HIGH | 1350 | 0.97 | 1.07 |
| TXA030C4+BAY24X045 | RATED | 1200 | 0.96 | 1.03 |
| | LOW | 1050 | 0.95 | 1.01 |
| | HIGH | 1350 | 0.97 | 1.06 |
| TXA031C4+4AYTXVH-3 | RATED | 1200 | 0.97 | 1.04 |
| | LOW | 1050 | 0.96 | 1.02 |
| | HIGH | 1350 | 0.98 | 1.07 |
| TXA031C4+BAY24X045 | RATED | 1200 | 0.96 | 1.03 |
| | LOW | 1050 | 0.95 | 1.01 |
| | HIGH | 1350 | 0.97 | 1.06 |
| TXA031C4+4AYTXVH-3 | RATED | 1200 | 0.97 | 1.04 |
| | LOW | 1050 | 0.96 | 1.02 |
| | HIGH | 1350 | 0.98 | 1.07 |
| TXA031C4+BAY24X045 | RATED | 1200 | 0.96 | 1.03 |
| | LOW | 1050 | 0.95 | 1.01 |
| | HIGH | 1350 | 0.97 | 1.06 |
| TXA035C4+4AYTXVH-3 | RATED | 1200 | 0.96 | 1.04 |
| | LOW | 1050 | 0.95 | 1.02 |
| | HIGH | 1350 | 0.97 | 1.07 |
| TXA035C4+BAY24X045 | RATED | 1200 | 0.96 | 1.03 |
| | LOW | 1050 | 0.95 | 1.01 |
| | HIGH | 1350 | 0.97 | 1.06 |
| TXA036C4+4AYTXVH-3 | RATED | 1200 | 0.99 | 1.05 |
| | LOW | 1050 | 0.98 | 1.02 |
| | HIGH | 1350 | 1.00 | 1.07 |
| TXA036C4+BAY24X045 | RATED | 1200 | 1.00 | 1.05 |
| | LOW | 1050 | 0.98 | 1.03 |
| | HIGH | 1350 | 1.01 | 1.08 |
| TXA037C4+4AYTXVH-3 | RATED | 1200 | 0.99 | 1.05 |
| | LOW | 1050 | 0.98 | 1.02 |
| | HIGH | 1350 | 1.00 | 1.07 |
| TXA037C4+BAY24X045 | RATED | 1200 | 1.00 | 1.05 |
| | LOW | 1050 | 0.98 | 1.03 |
| | HIGH | 1350 | 1.01 | 1.08 |
| TXA042C4+4AYTXVH-3 | RATED | 1200 | 1.00 | 1.05 |
| | LOW | 1050 | 0.99 | 1.03 |
| | HIGH | 1350 | 1.01 | 1.08 |
| TXA042C4+BAY24X045 | RATED | 1200 | 1.00 | 1.05 |
| | LOW | 1050 | 0.99 | 1.03 |
| | HIGH | 1350 | 1.01 | 1.08 |
| TXA043C4+4AYTXVH-3 | RATED | 1200 | 1.00 | 1.05 |
| | LOW | 1050 | 0.99 | 1.03 |
| | HIGH | 1350 | 1.01 | 1.08 |

CORRECTION FACTORS FOR OTHER COMBINATIONS (MULTIPLY DATA BY FACTOR)

| INDOOR MODEL | | CFM | MBTUH TOT | SYST KW |
|--------------------|-------|------|--------------|------------|
| TXA043C4+BAY24X045 | RATED | 1200 | 1.00 | 1.05 |
| | LOW | 1050 | 0.99 | 1.03 |
| | HIGH | 1350 | 1.01 | 1.08 |
| TXA048C4+4AYTXVH-3 | RATED | 1200 | 1.01 | 1.05 |
| | LOW | 1050 | 0.99 | 1.03 |
| | HIGH | 1350 | 1.02 | 1.08 |
| TXA049C4+4AYTXVH-3 | RATED | 1200 | 1.01 | 1.05 |
| | LOW | 1050 | 0.99 | 1.03 |
| | HIGH | 1350 | 1.02 | 1.08 |
| TXA050C4+4AYTXVH-3 | RATED | 1200 | 1.01 | 1.05 |
| | LOW | 1050 | 0.99 | 1.03 |
| | HIGH | 1350 | 1.02 | 1.08 |
| TXC030C4+4AYTXVH-3 | RATED | 1200 | 0.96 | 1.04 |
| | LOW | 1050 | 0.95 | 1.02 |
| | HIGH | 1350 | 0.97 | 1.07 |
| TXC030C4+BAY24X045 | RATED | 1200 | 0.96 | 1.03 |
| | LOW | 1050 | 0.95 | 1.01 |
| | HIGH | 1350 | 0.97 | 1.06 |
| TXC030D4+4AYTXVH-3 | RATED | 1200 | 0.96 | 1.04 |
| | LOW | 1050 | 0.95 | 1.02 |
| | HIGH | 1350 | 0.97 | 1.07 |
| TXC030D4+BAY24X045 | RATED | 1200 | 0.96 | 1.03 |
| | LOW | 1050 | 0.95 | 1.01 |
| | HIGH | 1350 | 0.97 | 1.06 |
| TXC031C4+4AYTXVH-3 | RATED | 1200 | 0.97 | 1.04 |
| | LOW | 1050 | 0.96 | 1.02 |
| | HIGH | 1350 | 0.98 | 1.07 |
| TXC031C4+BAY24X045 | RATED | 1200 | 0.96 | 1.03 |
| | LOW | 1050 | 0.95 | 1.01 |
| | HIGH | 1350 | 0.97 | 1.06 |
| TXC031D4+4AYTXVH-3 | RATED | 1200 | 0.97 | 1.04 |
| | LOW | 1050 | 0.96 | 1.02 |
| | HIGH | 1350 | 0.98 | 1.07 |
| TXC031D4+BAY24X045 | RATED | 1200 | 0.96 | 1.03 |
| | LOW | 1050 | 0.95 | 1.01 |
| | HIGH | 1350 | 0.97 | 1.06 |
| TXC035C4+4AYTXVH-3 | RATED | 1200 | 0.96 | 1.04 |
| | LOW | 1050 | 0.95 | 1.02 |
| | HIGH | 1350 | 0.97 | 1.07 |
| TXC035C4+BAY24X045 | RATED | 1200 | 0.96 | 1.03 |
| | LOW | 1050 | 0.95 | 1.01 |
| | HIGH | 1350 | 0.97 | 1.06 |
| TXC035D4+4AYTXVH-3 | RATED | 1200 | 0.96 | 1.04 |
| | LOW | 1050 | 0.95 | 1.02 |
| | HIGH | 1350 | 0.97 | 1.07 |
| TXC035D4+BAY24X045 | RATED | 1200 | 0.96 | 1.03 |
| | LOW | 1050 | 0.95 | 1.01 |
| | HIGH | 1350 | 0.97 | 1.06 |
| TXC036C4+4AYTXVH-3 | RATED | 1200 | 0.99 | 1.05 |
| | LOW | 1050 | 0.98 | 1.02 |
| | HIGH | 1350 | 1.00 | 1.07 |
| TXC036C4+BAY24X045 | RATED | 1200 | 1.00 | 1.05 |
| | LOW | 1050 | 0.98 | 1.03 |
| | HIGH | 1350 | 1.01 | 1.08 |
| TXC036D4+4AYTXVH-3 | RATED | 1200 | 0.99 | 1.05 |
| | LOW | 1050 | 0.98 | 1.02 |
| | HIGH | 1350 | 1.00 | 1.07 |
| TXC036D4+BAY24X045 | RATED | 1200 | 1.00 | 1.05 |
| | LOW | 1050 | 0.98 | 1.03 |
| | HIGH | 1350 | 1.01 | 1.08 |
| TXC037C4+4AYTXVH-3 | RATED | 1200 | 0.99 | 1.05 |
| | LOW | 1050 | 0.98 | 1.02 |
| | HIGH | 1350 | 1.00 | 1.07 |



Performance Data Heating

4TWX4036B1

CORRECTION FACTORS FOR OTHER COMBINATIONS (MULTIPLY DATA BY FACTOR)

| INDOOR MODEL | | CFM | MBTUH TOT | SYST KW |
|--------------------|-------|------|--------------|------------|
| TXC037C4+BAY24X045 | RATED | 1200 | 1.00 | 1.05 |
| | LOW | 1050 | 0.98 | 1.03 |
| | HIGH | 1350 | 1.01 | 1.08 |
| TXC042C4+4AYTXVH-3 | RATED | 1200 | 1.00 | 1.05 |
| | LOW | 1050 | 0.99 | 1.03 |
| | HIGH | 1350 | 1.01 | 1.08 |
| TXC042C4+BAY24X045 | RATED | 1200 | 1.00 | 1.05 |
| | LOW | 1050 | 0.99 | 1.03 |
| | HIGH | 1350 | 1.01 | 1.08 |
| TXC043C4+4AYTXVH-3 | RATED | 1200 | 1.00 | 1.05 |
| | LOW | 1050 | 0.99 | 1.03 |
| | HIGH | 1350 | 1.01 | 1.08 |
| TXC043C4+BAY24X045 | RATED | 1200 | 1.00 | 1.05 |
| | LOW | 1050 | 0.99 | 1.03 |
| | HIGH | 1350 | 1.01 | 1.08 |
| TXC048C4+4AYTXVH-3 | RATED | 1200 | 1.01 | 1.05 |
| | LOW | 1050 | 0.99 | 1.03 |
| | HIGH | 1350 | 1.02 | 1.08 |
| TXC049C4+4AYTXVH-3 | RATED | 1200 | 1.01 | 1.05 |
| | LOW | 1050 | 0.99 | 1.03 |
| | HIGH | 1350 | 1.02 | 1.08 |

CORRECTION FACTORS FOR OTHER COMBINATIONS (MULTIPLY DATA BY FACTOR)

| INDOOR MODEL | | CFM | MBTUH TOT | SYST KW |
|--------------------|-------|------|--------------|------------|
| TXC050C4+4AYTXVH-3 | RATED | 1200 | 1.01 | 1.05 |
| | LOW | 1050 | 0.99 | 1.03 |
| | HIGH | 1350 | 1.02 | 1.08 |
| TXH033A4 | RATED | 1200 | 0.99 | 1.04 |
| | LOW | 1050 | 0.98 | 1.02 |
| | HIGH | 1350 | 1.00 | 1.07 |
| TXH033A4+4AYTXVH-3 | RATED | 1200 | 0.99 | 1.05 |
| | LOW | 1050 | 0.98 | 1.02 |
| | HIGH | 1350 | 1.00 | 1.07 |
| TXH033A4+BAY24X045 | RATED | 1200 | 0.99 | 1.04 |
| | LOW | 1050 | 0.98 | 1.02 |
| | HIGH | 1350 | 1.00 | 1.07 |
| TXH041A4 | RATED | 1200 | 1.01 | 1.06 |
| | LOW | 1050 | 1.00 | 1.03 |
| | HIGH | 1350 | 1.02 | 1.08 |
| TXH041A4+4AYTXVH-3 | RATED | 1200 | 1.01 | 1.05 |
| | LOW | 1050 | 0.99 | 1.03 |
| | HIGH | 1350 | 1.02 | 1.08 |
| TXH041A4+BAY24X045 | RATED | 1200 | 1.01 | 1.06 |
| | LOW | 1050 | 1.00 | 1.03 |
| | HIGH | 1350 | 1.02 | 1.08 |

4TWX4042B1

4TWX4042B1 WITH 4TEE3F40A1 AT 1400 CFM

| O.D. TEMP. F. | HEATING CAPACITY MBH AT INDOOR DRY BULB TEMP. | | | TOTAL POWER IN KILOWATTS AT INDOOR DRY BULB TEMP. | | |
|---------------------|--|------|------|--|------|------|
| | 70 | 75 | 80 | 70 | 75 | 80 |
| 2 | 21.3 | 21.1 | 20.9 | 2.97 | 3.05 | 3.14 |
| 7 | 23.4 | 23.1 | 22.9 | 2.99 | 3.08 | 3.17 |
| 12 | 25.4 | 25.1 | 24.9 | 3.01 | 3.10 | 3.19 |
| 17 | 27.4 | 27.1 | 26.9 | 3.03 | 3.12 | 3.22 |
| 22 | 29.0 | 28.7 | 28.5 | 3.07 | 3.16 | 3.25 |
| 27 | 30.7 | 30.4 | 30.1 | 3.10 | 3.19 | 3.29 |
| 32 | 32.3 | 32.0 | 31.7 | 3.13 | 3.23 | 3.32 |
| 37 | 34.3 | 34.0 | 33.7 | 3.15 | 3.25 | 3.34 |
| 42 | 36.9 | 36.5 | 36.2 | 3.16 | 3.26 | 3.35 |
| 47 | 39.5 | 39.1 | 38.8 | 3.17 | 3.26 | 3.36 |
| 52 | 41.5 | 41.1 | 40.7 | 3.19 | 3.29 | 3.38 |
| 57 | 43.5 | 43.1 | 42.7 | 3.21 | 3.31 | 3.41 |
| 62 | 45.6 | 45.1 | 44.7 | 3.24 | 3.33 | 3.43 |
| 67 | 47.6 | 47.1 | 46.7 | 3.26 | 3.36 | 3.46 |
| 72 | 49.6 | 49.1 | 48.6 | 3.28 | 3.38 | 3.48 |

CORRECTION FACTORS FOR OTHER AIRFLOWS (MULTIPLY DATA BY FACTOR)

| | AIRFLOW | TOTAL CAPACITY | SENSIBLE CAPACITY |
|------|---------|----------------|-------------------|
| LOW | 1225 | 0.98 | 0.97 |
| HIGH | 1575 | 1.01 | 1.02 |

NOTE: ALL TABLES ABOVE ARE AT ARI RATING CONDITIONS RATED WITH 25 FEET OF REFRIGERANT LINES.

CORRECTION FACTORS FOR OTHER COMBINATIONS (MULTIPLY DATA BY FACTOR)

| INDOOR MODEL | | CFM | MBTUH TOT | SYST KW |
|--------------|-------|------|--------------|------------|
| 4TEE3F37A1 | RATED | 1400 | 0.94 | 1.04 |
| | LOW | 1225 | 0.93 | 1.02 |
| | HIGH | 1575 | 0.95 | 1.07 |
| 4TEE3F49A1 | RATED | 1400 | 0.99 | 1.05 |
| | LOW | 1225 | 0.98 | 1.02 |
| | HIGH | 1575 | 1.00 | 1.08 |

CORRECTION FACTORS FOR OTHER COMBINATIONS (MULTIPLY DATA BY FACTOR)

| INDOOR MODEL | | CFM | MBTUH TOT | SYST KW |
|-------------------------------|-------|------|--------------|------------|
| 4TEP3F36A1 | RATED | 1400 | 0.96 | 1.09 |
| | LOW | 1225 | 0.94 | 1.07 |
| | HIGH | 1575 | 0.97 | 1.12 |
| 4TEP3F42A1 | RATED | 1400 | 0.97 | 1.08 |
| | LOW | 1225 | 0.96 | 1.06 |
| | HIGH | 1575 | 0.98 | 1.11 |
| 4TEP3F48B1 | RATED | 1400 | 1.00 | 1.09 |
| | LOW | 1225 | 0.98 | 1.06 |
| | HIGH | 1575 | 1.01 | 1.11 |
| RXC036S3 | RATED | 1400 | 0.96 | 1.08 |
| | LOW | 1225 | 0.95 | 1.06 |
| | HIGH | 1575 | 0.97 | 1.11 |
| RXC037S3 | RATED | 1400 | 0.98 | 1.09 |
| | LOW | 1225 | 0.96 | 1.06 |
| | HIGH | 1575 | 0.99 | 1.11 |
| RXC054S3 | RATED | 1400 | 0.97 | 1.08 |
| | LOW | 1225 | 0.96 | 1.06 |
| | HIGH | 1575 | 0.98 | 1.11 |
| TDD080R9V3+RXC036S3 | RATED | 1400 | 0.97 | 1.07 |
| | LOW | 1225 | 0.95 | 1.05 |
| | HIGH | 1575 | 0.98 | 1.10 |
| TDD080R9V3+TXH041A4 | RATED | 1400 | 0.96 | 1.06 |
| | LOW | 1225 | 0.94 | 1.03 |
| | HIGH | 1575 | 0.97 | 1.08 |
| TDD080R9V3+TXH041A4+4AYTXVH-3 | RATED | 1400 | 0.96 | 1.06 |
| | LOW | 1225 | 0.94 | 1.03 |
| | HIGH | 1575 | 0.97 | 1.09 |
| TDD080R9V3+TXH054A4+4AYTXVH-3 | RATED | 1400 | 0.98 | 1.07 |
| | LOW | 1225 | 0.96 | 1.04 |
| | HIGH | 1575 | 0.99 | 1.10 |
| TDD100R9V5+RXC037S3 | RATED | 1400 | 0.97 | 1.05 |
| | LOW | 1225 | 0.95 | 1.02 |
| | HIGH | 1575 | 0.98 | 1.07 |



Performance Data Heating

4TWX4042B1

CORRECTION FACTORS FOR OTHER COMBINATIONS (MULTIPLY DATA BY FACTOR)

| INDOOR MODEL | | CFM | MBTUH TOT | SYST KW |
|-------------------------------|-------|------|--------------|------------|
| TDD100R9V5+RXC054S3 | RATED | 1400 | 0.96 | 1.04 |
| | LOW | 1225 | 0.95 | 1.02 |
| | HIGH | 1575 | 0.97 | 1.07 |
| TDD100R9V5+TXH041A4 | RATED | 1400 | 0.96 | 1.04 |
| | LOW | 1225 | 0.95 | 1.01 |
| | HIGH | 1575 | 0.97 | 1.07 |
| TDD100R9V5+TXH041A4+4AYTXVH-3 | RATED | 1400 | 0.96 | 1.03 |
| | LOW | 1225 | 0.94 | 1.01 |
| | HIGH | 1575 | 0.97 | 1.06 |
| TDD100R9V5+TXH054A4+4AYTXVH-3 | RATED | 1400 | 0.98 | 1.05 |
| | LOW | 1225 | 0.97 | 1.03 |
| | HIGH | 1575 | 0.99 | 1.08 |
| TDD120R9V5+TXH041A4 | RATED | 1400 | 0.96 | 1.02 |
| | LOW | 1225 | 0.94 | 1.00 |
| | HIGH | 1575 | 0.97 | 1.05 |
| TDD120R9V5+TXH041A4+4AYTXVH-3 | RATED | 1400 | 0.95 | 1.02 |
| | LOW | 1225 | 0.94 | 0.99 |
| | HIGH | 1575 | 0.96 | 1.05 |
| TDD120R9V5+TXH054A4+4AYTXVH-3 | RATED | 1400 | 0.98 | 1.04 |
| | LOW | 1225 | 0.96 | 1.01 |
| | HIGH | 1575 | 0.99 | 1.06 |
| TDY080R9V3+TXH033A4 | RATED | 1400 | 0.91 | 1.05 |
| | LOW | 1225 | 0.90 | 1.02 |
| | HIGH | 1575 | 0.92 | 1.07 |
| TDY100R9V4+RXC037S3 | RATED | 1400 | 0.95 | 1.05 |
| | LOW | 1225 | 0.93 | 1.02 |
| | HIGH | 1575 | 0.96 | 1.07 |
| TDY100R9V4+RXC054S3 | RATED | 1400 | 0.94 | 1.05 |
| | LOW | 1225 | 0.93 | 1.02 |
| | HIGH | 1575 | 0.95 | 1.07 |
| TDY100R9V4+TXH041A4 | RATED | 1400 | 0.94 | 1.04 |
| | LOW | 1225 | 0.93 | 1.02 |
| | HIGH | 1575 | 0.95 | 1.07 |
| TDY100R9V4+TXH041A4+4AYTXVH-3 | RATED | 1400 | 0.94 | 1.05 |
| | LOW | 1225 | 0.93 | 1.02 |
| | HIGH | 1575 | 0.95 | 1.07 |
| TDY120R9V5+TXH041A4 | RATED | 1400 | 0.93 | 1.02 |
| | LOW | 1225 | 0.92 | 1.00 |
| | HIGH | 1575 | 0.94 | 1.05 |
| TDY120R9V5+TXH041A4+4AYTXVH-3 | RATED | 1400 | 0.94 | 1.03 |
| | LOW | 1225 | 0.92 | 1.01 |
| | HIGH | 1575 | 0.95 | 1.06 |
| TUD080R9V3+RXC036S3 | RATED | 1400 | 0.98 | 1.10 |
| | LOW | 1225 | 0.97 | 1.07 |
| | HIGH | 1575 | 0.99 | 1.13 |
| TUD080R9V3+TXH041A4 | RATED | 1400 | 0.97 | 1.08 |
| | LOW | 1225 | 0.96 | 1.05 |
| | HIGH | 1575 | 0.98 | 1.11 |
| TUD080R9V3+TXH041A4+4AYTXVH-3 | RATED | 1400 | 0.97 | 1.08 |
| | LOW | 1225 | 0.96 | 1.05 |
| | HIGH | 1575 | 0.98 | 1.11 |
| TUD080R9V3+TXH054A4+4AYTXVH-3 | RATED | 1400 | 0.99 | 1.09 |
| | LOW | 1225 | 0.98 | 1.07 |
| | HIGH | 1575 | 1.00 | 1.12 |
| TUD100R9V5+RXC037S3 | RATED | 1400 | 0.97 | 1.05 |
| | LOW | 1225 | 0.96 | 1.02 |
| | HIGH | 1575 | 0.98 | 1.08 |
| TUD100R9V5+RXC054S3 | RATED | 1400 | 0.97 | 1.05 |
| | LOW | 1225 | 0.96 | 1.03 |
| | HIGH | 1575 | 0.98 | 1.08 |
| TUD100R9V5+TXH041A4 | RATED | 1400 | 0.97 | 1.04 |
| | LOW | 1225 | 0.95 | 1.02 |
| | HIGH | 1575 | 0.98 | 1.07 |

CORRECTION FACTORS FOR OTHER COMBINATIONS (MULTIPLY DATA BY FACTOR)

| INDOOR MODEL | | CFM | MBTUH TOT | SYST KW |
|-------------------------------|-------|------|--------------|------------|
| TUD100R9V5+TXH041A4+4AYTXVH-3 | RATED | 1400 | 0.96 | 1.04 |
| | LOW | 1225 | 0.95 | 1.02 |
| | HIGH | 1575 | 0.97 | 1.07 |
| TUD100R9V5+TXH054A4+4AYTXVH-3 | RATED | 1400 | 0.99 | 1.06 |
| | LOW | 1225 | 0.97 | 1.03 |
| | HIGH | 1575 | 1.00 | 1.09 |
| TUD120R9V5+TXH041A4 | RATED | 1400 | 0.96 | 1.03 |
| | LOW | 1225 | 0.94 | 1.00 |
| | HIGH | 1575 | 0.97 | 1.05 |
| TUD120R9V5+TXH041A4+4AYTXVH-3 | RATED | 1400 | 0.95 | 1.02 |
| | LOW | 1225 | 0.94 | 1.00 |
| | HIGH | 1575 | 0.96 | 1.05 |
| TUD120R9V5+TXH054A4+4AYTXVH-3 | RATED | 1400 | 0.98 | 1.04 |
| | LOW | 1225 | 0.96 | 1.02 |
| | HIGH | 1575 | 0.99 | 1.07 |
| TUD140R9V5+TXH041A4 | RATED | 1400 | 0.96 | 1.03 |
| | LOW | 1225 | 0.94 | 1.00 |
| | HIGH | 1575 | 0.97 | 1.05 |
| TUD140R9V5+TXH041A4+4AYTXVH-3 | RATED | 1400 | 0.95 | 1.02 |
| | LOW | 1225 | 0.94 | 1.00 |
| | HIGH | 1575 | 0.96 | 1.05 |
| TUD140R9V5+TXH054A4+4AYTXVH-3 | RATED | 1400 | 0.98 | 1.04 |
| | LOW | 1225 | 0.96 | 1.02 |
| | HIGH | 1575 | 0.99 | 1.07 |
| TUY080R9V3+RXC036S3 | RATED | 1400 | 0.95 | 1.05 |
| | LOW | 1225 | 0.93 | 1.03 |
| | HIGH | 1575 | 0.96 | 1.08 |
| TUY080R9V3+TXH041A4 | RATED | 1400 | 0.94 | 1.04 |
| | LOW | 1225 | 0.92 | 1.01 |
| | HIGH | 1575 | 0.95 | 1.06 |
| TUY080R9V3+TXH041A4+4AYTXVH-3 | RATED | 1400 | 0.94 | 1.04 |
| | LOW | 1225 | 0.92 | 1.01 |
| | HIGH | 1575 | 0.95 | 1.07 |
| TUY080R9V3+TXH054A4+4AYTXVH-3 | RATED | 1400 | 0.96 | 1.06 |
| | LOW | 1225 | 0.95 | 1.03 |
| | HIGH | 1575 | 0.97 | 1.08 |
| TUY100R9V4+RXC037S3 | RATED | 1400 | 0.94 | 1.03 |
| | LOW | 1225 | 0.93 | 1.00 |
| | HIGH | 1575 | 0.95 | 1.06 |
| TUY100R9V4+RXC054S3 | RATED | 1400 | 0.94 | 1.04 |
| | LOW | 1225 | 0.93 | 1.01 |
| | HIGH | 1575 | 0.95 | 1.06 |
| TUY100R9V4+TXH041A4 | RATED | 1400 | 0.94 | 1.03 |
| | LOW | 1225 | 0.92 | 1.00 |
| | HIGH | 1575 | 0.95 | 1.05 |
| TUY100R9V4+TXH041A4+4AYTXVH-3 | RATED | 1400 | 0.94 | 1.03 |
| | LOW | 1225 | 0.92 | 1.00 |
| | HIGH | 1575 | 0.95 | 1.06 |
| TUY100R9V4+TXH054A4+4AYTXVH-3 | RATED | 1400 | 0.96 | 1.04 |
| | LOW | 1225 | 0.94 | 1.01 |
| | HIGH | 1575 | 0.97 | 1.07 |
| TUY120R9V5+TXH041A4 | RATED | 1400 | 0.93 | 1.02 |
| | LOW | 1225 | 0.92 | 0.99 |
| | HIGH | 1575 | 0.94 | 1.04 |
| TUY120R9V5+TXH041A4+4AYTXVH-3 | RATED | 1400 | 0.93 | 1.02 |
| | LOW | 1225 | 0.92 | 0.99 |
| | HIGH | 1575 | 0.94 | 1.04 |
| TUY120R9V5+TXH054A4+4AYTXVH-3 | RATED | 1400 | 0.95 | 1.03 |
| | LOW | 1225 | 0.94 | 1.01 |
| | HIGH | 1575 | 0.96 | 1.06 |
| TWE036C14+4AYTXVH-3 | RATED | 1400 | 0.95 | 1.09 |
| | LOW | 1225 | 0.93 | 1.06 |
| | HIGH | 1575 | 0.96 | 1.12 |



Performance Data Heating

4TWX4042B1

CORRECTION FACTORS FOR OTHER COMBINATIONS (MULTIPLY DATA BY FACTOR)

| INDOOR MODEL | | CFM | MBTUH TOT | SYST KW |
|---------------------|-------|------|--------------|------------|
| TWE042C14+4AYTXVH-3 | RATED | 1400 | 0.96 | 1.10 |
| | LOW | 1225 | 0.95 | 1.08 |
| | HIGH | 1575 | 0.97 | 1.13 |
| TWE048C14 | RATED | 1400 | 0.98 | 1.10 |
| | LOW | 1225 | 0.96 | 1.07 |
| | HIGH | 1575 | 0.99 | 1.12 |
| TWE048C14+4AYTXVH-3 | RATED | 1400 | 0.97 | 1.09 |
| | LOW | 1225 | 0.96 | 1.06 |
| | HIGH | 1575 | 0.98 | 1.12 |
| TXA035C4+4AYTXVH-3 | RATED | 1050 | 0.89 | 1.02 |
| | LOW | 925 | 0.88 | 0.99 |
| | HIGH | 1175 | 0.90 | 1.05 |
| TXA036C4+4AYTXVH-3 | RATED | 1400 | 0.93 | 1.07 |
| | LOW | 1225 | 0.91 | 1.05 |
| | HIGH | 1575 | 0.94 | 1.10 |
| TXA036C4+BAY24X045 | RATED | 1400 | 0.92 | 1.06 |
| | LOW | 1225 | 0.91 | 1.04 |
| | HIGH | 1575 | 0.93 | 1.09 |
| TXA037C4+4AYTXVH-3 | RATED | 1400 | 0.95 | 1.08 |
| | LOW | 1225 | 0.94 | 1.05 |
| | HIGH | 1575 | 0.96 | 1.11 |
| TXA037C4+BAY24X045 | RATED | 1400 | 0.95 | 1.08 |
| | LOW | 1225 | 0.94 | 1.05 |
| | HIGH | 1575 | 0.96 | 1.10 |
| TXA042C4 | RATED | 1400 | 0.93 | 1.07 |
| | LOW | 1225 | 0.91 | 1.04 |
| | HIGH | 1575 | 0.94 | 1.09 |
| TXA042C4+4AYTXVH-3 | RATED | 1400 | 0.93 | 1.07 |
| | LOW | 1225 | 0.92 | 1.05 |
| | HIGH | 1575 | 0.94 | 1.10 |
| TXA042C4+BAY24X045 | RATED | 1400 | 0.93 | 1.07 |
| | LOW | 1225 | 0.91 | 1.04 |
| | HIGH | 1575 | 0.94 | 1.09 |
| TXA043C4+4AYTXVH-3 | RATED | 1400 | 0.96 | 1.08 |
| | LOW | 1225 | 0.94 | 1.05 |
| | HIGH | 1575 | 0.97 | 1.11 |
| TXA043C4+BAY24X045 | RATED | 1400 | 0.96 | 1.08 |
| | LOW | 1225 | 0.94 | 1.05 |
| | HIGH | 1575 | 0.97 | 1.10 |
| TXA048C4+4AYTXVH-3 | RATED | 1400 | 0.96 | 1.09 |
| | LOW | 1225 | 0.95 | 1.06 |
| | HIGH | 1575 | 0.97 | 1.11 |
| TXA048C4+BAY24X045 | RATED | 1400 | 0.96 | 1.08 |
| | LOW | 1225 | 0.95 | 1.05 |
| | HIGH | 1575 | 0.97 | 1.10 |
| TXA049C4+4AYTXVH-3 | RATED | 1400 | 0.97 | 1.09 |
| | LOW | 1225 | 0.95 | 1.06 |
| | HIGH | 1575 | 0.98 | 1.11 |
| TXA049C4+BAY24X045 | RATED | 1400 | 0.97 | 1.08 |
| | LOW | 1225 | 0.95 | 1.06 |
| | HIGH | 1575 | 0.98 | 1.11 |
| TXA050C4+4AYTXVH-3 | RATED | 1400 | 0.97 | 1.09 |
| | LOW | 1225 | 0.95 | 1.06 |
| | HIGH | 1575 | 0.98 | 1.11 |
| TXA050C4+BAY24X045 | RATED | 1400 | 0.97 | 1.08 |
| | LOW | 1225 | 0.95 | 1.06 |
| | HIGH | 1575 | 0.98 | 1.11 |
| TXC035C4+4AYTXVH-3 | RATED | 1050 | 0.89 | 1.02 |
| | LOW | 925 | 0.88 | 0.99 |
| | HIGH | 1175 | 0.90 | 1.05 |

CORRECTION FACTORS FOR OTHER COMBINATIONS (MULTIPLY DATA BY FACTOR)

| INDOOR MODEL | | CFM | MBTUH TOT | SYST KW |
|--------------------|-------|------|--------------|------------|
| TXC035D4+4AYTXVH-3 | RATED | 1050 | 0.89 | 1.02 |
| | LOW | 925 | 0.88 | 0.99 |
| | HIGH | 1175 | 0.90 | 1.05 |
| TXC036C4+4AYTXVH-3 | RATED | 1400 | 0.93 | 1.07 |
| | LOW | 1225 | 0.91 | 1.05 |
| | HIGH | 1575 | 0.94 | 1.10 |
| TXC036C4+BAY24X045 | RATED | 1400 | 0.92 | 1.06 |
| | LOW | 1225 | 0.91 | 1.04 |
| | HIGH | 1575 | 0.93 | 1.09 |
| TXC036D4+4AYTXVH-3 | RATED | 1400 | 0.93 | 1.07 |
| | LOW | 1225 | 0.91 | 1.05 |
| | HIGH | 1575 | 0.94 | 1.10 |
| TXC036D4+BAY24X045 | RATED | 1400 | 0.92 | 1.06 |
| | LOW | 1225 | 0.91 | 1.04 |
| | HIGH | 1575 | 0.93 | 1.09 |
| TXC037C4+4AYTXVH-3 | RATED | 1400 | 0.95 | 1.08 |
| | LOW | 1225 | 0.94 | 1.05 |
| | HIGH | 1575 | 0.96 | 1.11 |
| TXC037C4+BAY24X045 | RATED | 1400 | 0.95 | 1.08 |
| | LOW | 1225 | 0.94 | 1.05 |
| | HIGH | 1575 | 0.96 | 1.10 |
| TXC042C4+4AYTXVH-3 | RATED | 1400 | 0.93 | 1.07 |
| | LOW | 1225 | 0.92 | 1.05 |
| | HIGH | 1575 | 0.94 | 1.10 |
| TXC042C4+BAY24X045 | RATED | 1400 | 0.93 | 1.07 |
| | LOW | 1225 | 0.91 | 1.04 |
| | HIGH | 1575 | 0.94 | 1.09 |
| TXC043C4+4AYTXVH-3 | RATED | 1400 | 0.96 | 1.08 |
| | LOW | 1225 | 0.94 | 1.05 |
| | HIGH | 1575 | 0.97 | 1.11 |
| TXC043C4+BAY24X045 | RATED | 1400 | 0.96 | 1.08 |
| | LOW | 1225 | 0.94 | 1.05 |
| | HIGH | 1575 | 0.97 | 1.10 |
| TXC048C4+4AYTXVH-3 | RATED | 1400 | 0.96 | 1.09 |
| | LOW | 1225 | 0.95 | 1.06 |
| | HIGH | 1575 | 0.97 | 1.11 |
| TXC048C4+BAY24X045 | RATED | 1400 | 0.96 | 1.08 |
| | LOW | 1225 | 0.95 | 1.05 |
| | HIGH | 1575 | 0.97 | 1.11 |
| TXC049C4+4AYTXVH-3 | RATED | 1400 | 0.97 | 1.09 |
| | LOW | 1225 | 0.95 | 1.06 |
| | HIGH | 1575 | 0.98 | 1.11 |
| TXC049C4+BAY24X045 | RATED | 1400 | 0.97 | 1.08 |
| | LOW | 1225 | 0.95 | 1.06 |
| | HIGH | 1575 | 0.98 | 1.11 |
| TXC050C4+4AYTXVH-3 | RATED | 1400 | 0.97 | 1.09 |
| | LOW | 1225 | 0.95 | 1.06 |
| | HIGH | 1575 | 0.98 | 1.11 |
| TXC050C4+BAY24X045 | RATED | 1400 | 0.97 | 1.08 |
| | LOW | 1225 | 0.95 | 1.06 |
| | HIGH | 1575 | 0.98 | 1.11 |
| TXH041A4+4AYTXVH-3 | RATED | 1400 | 0.97 | 1.08 |
| | LOW | 1225 | 0.95 | 1.06 |
| | HIGH | 1575 | 0.98 | 1.11 |
| TXH041A4+BAY24X045 | RATED | 1400 | 0.97 | 1.09 |
| | LOW | 1225 | 0.96 | 1.06 |
| | HIGH | 1575 | 0.98 | 1.12 |
| TXH054A4+4AYTXVH-3 | RATED | 1400 | 0.99 | 1.10 |
| | LOW | 1225 | 0.98 | 1.07 |
| | HIGH | 1575 | 1.00 | 1.12 |



Performance Data Heating

4TWX4048B1

4TWX4048B1 WITH 4TEE3F49A1 AT 1600 CFM

| O.D. TEMP. F. | HEATING CAPACITY MBH AT INDOOR DRY BULB TEMP. | | | TOTAL POWER IN KILOWATTS AT INDOOR DRY BULB TEMP. | | |
|---------------|---|------|------|---|------|------|
| | 70 | 75 | 80 | 70 | 75 | 80 |
| 2 | 19.8 | 19.6 | 19.4 | 3.30 | 3.40 | 3.49 |
| 7 | 22.6 | 22.4 | 22.1 | 3.35 | 3.45 | 3.55 |
| 12 | 25.4 | 25.1 | 24.9 | 3.40 | 3.50 | 3.60 |
| 17 | 28.2 | 27.9 | 27.6 | 3.45 | 3.55 | 3.66 |
| 22 | 28.9 | 28.6 | 28.3 | 3.48 | 3.58 | 3.69 |
| 27 | 29.6 | 29.3 | 29.0 | 3.51 | 3.61 | 3.72 |
| 32 | 30.3 | 30.0 | 29.7 | 3.54 | 3.64 | 3.75 |
| 37 | 33.1 | 32.8 | 32.5 | 3.59 | 3.69 | 3.80 |
| 42 | 39.0 | 38.7 | 38.3 | 3.67 | 3.78 | 3.89 |
| 47 | 45.0 | 44.6 | 44.1 | 3.76 | 3.87 | 3.99 |
| 52 | 47.8 | 47.3 | 46.9 | 3.81 | 3.93 | 4.04 |
| 57 | 50.6 | 50.1 | 49.6 | 3.86 | 3.98 | 4.10 |
| 62 | 53.4 | 52.9 | 52.4 | 3.91 | 4.03 | 4.15 |
| 67 | 56.2 | 55.7 | 55.1 | 3.97 | 4.09 | 4.20 |
| 72 | 59.0 | 58.4 | 57.9 | 4.02 | 4.14 | 4.26 |

CORRECTION FACTORS FOR OTHER AIRFLOWS (MULTIPLY DATA BY FACTOR)

| | AIRFLOW | TOTAL CAPACITY | SENSIBLE CAPACITY |
|------|---------|----------------|-------------------|
| LOW | 1400 | 0.98 | 0.97 |
| HIGH | 1800 | 1.01 | 1.02 |

NOTE: ALL TABLES ABOVE ARE AT ARI RATING CONDITIONS RATED WITH 25 FEET OF REFRIGERANT LINES.

CORRECTION FACTORS FOR OTHER COMBINATIONS (MULTIPLY DATA BY FACTOR)

| INDOOR MODEL | | CFM | MBTUH TOT | SYST KW |
|---------------------|-------|------|-----------|---------|
| 4TEP3F42A1 | RATED | 1600 | 0.99 | 1.06 |
| | LOW | 1400 | 0.97 | 1.03 |
| | HIGH | 1800 | 1.00 | 1.09 |
| 4TEP3F48B1 | RATED | 1600 | 0.99 | 1.04 |
| | LOW | 1400 | 0.98 | 1.02 |
| | HIGH | 1800 | 1.00 | 1.07 |
| 4TEP3F63B1 | RATED | 1600 | 0.99 | 1.06 |
| | LOW | 1400 | 0.98 | 1.03 |
| | HIGH | 1800 | 1.01 | 1.08 |
| RXA060S3 | RATED | 1600 | 0.98 | 1.05 |
| | LOW | 1400 | 0.97 | 1.02 |
| | HIGH | 1800 | 0.99 | 1.07 |
| RXA061S3 | RATED | 1600 | 0.99 | 1.05 |
| | LOW | 1400 | 0.98 | 1.03 |
| | HIGH | 1800 | 1.01 | 1.08 |
| RXC054S3 | RATED | 1600 | 0.99 | 1.05 |
| | LOW | 1400 | 0.97 | 1.03 |
| | HIGH | 1800 | 1.00 | 1.08 |
| RXC060S3 | RATED | 1600 | 0.98 | 1.05 |
| | LOW | 1400 | 0.97 | 1.02 |
| | HIGH | 1800 | 0.99 | 1.07 |
| RXC061S3 | RATED | 1600 | 0.99 | 1.05 |
| | LOW | 1400 | 0.98 | 1.03 |
| | HIGH | 1800 | 1.01 | 1.08 |
| RXC065S3 | RATED | 1600 | 0.99 | 1.05 |
| | LOW | 1400 | 0.98 | 1.03 |
| | HIGH | 1800 | 1.01 | 1.08 |
| RXH063S3 | RATED | 1600 | 1.02 | 1.06 |
| | LOW | 1400 | 1.01 | 1.04 |
| | HIGH | 1800 | 1.03 | 1.09 |
| TDD100R9V5+RXC037S3 | RATED | 1600 | 0.99 | 1.04 |
| | LOW | 1400 | 0.97 | 1.01 |
| | HIGH | 1800 | 1.00 | 1.06 |
| TDD100R9V5+RXC054S3 | RATED | 1600 | 0.98 | 1.03 |
| | LOW | 1400 | 0.97 | 1.00 |
| | HIGH | 1800 | 0.99 | 1.06 |

CORRECTION FACTORS FOR OTHER COMBINATIONS (MULTIPLY DATA BY FACTOR)

| INDOOR MODEL | | CFM | MBTUH TOT | SYST KW |
|-------------------------------|-------|------|-----------|---------|
| TDD100R9V5+RXH063S3 | RATED | 1600 | 1.02 | 1.04 |
| | LOW | 1400 | 1.00 | 1.01 |
| | HIGH | 1800 | 1.03 | 1.06 |
| TDD100R9V5+TXH041A4 | RATED | 1600 | 0.98 | 1.02 |
| | LOW | 1400 | 0.96 | 1.00 |
| | HIGH | 1800 | 0.99 | 1.05 |
| TDD100R9V5+TXH041A4+4AYTXVH-3 | RATED | 1600 | 0.97 | 1.02 |
| | LOW | 1400 | 0.96 | 1.00 |
| | HIGH | 1800 | 0.98 | 1.05 |
| TDD100R9V5+TXH054A4 | RATED | 1600 | 1.01 | 1.05 |
| | LOW | 1400 | 1.00 | 1.02 |
| | HIGH | 1800 | 1.02 | 1.08 |
| TDD100R9V5+TXH054A4+4AYTXVH-3 | RATED | 1600 | 1.00 | 1.04 |
| | LOW | 1400 | 0.99 | 1.01 |
| | HIGH | 1800 | 1.01 | 1.06 |
| TDD120R9V5+RXH063S3 | RATED | 1600 | 1.01 | 1.02 |
| | LOW | 1400 | 1.00 | 0.99 |
| | HIGH | 1800 | 1.02 | 1.05 |
| TDD120R9V5+TXH041A4 | RATED | 1600 | 0.98 | 1.01 |
| | LOW | 1400 | 0.96 | 0.99 |
| | HIGH | 1800 | 0.99 | 1.04 |
| TDD120R9V5+TXH041A4+4AYTXVH-3 | RATED | 1600 | 0.97 | 1.00 |
| | LOW | 1400 | 0.96 | 0.98 |
| | HIGH | 1800 | 0.98 | 1.03 |
| TDD120R9V5+TXH054A4 | RATED | 1600 | 1.01 | 1.04 |
| | LOW | 1400 | 1.00 | 1.01 |
| | HIGH | 1800 | 1.02 | 1.06 |
| TDD120R9V5+TXH054A4+4AYTXVH-3 | RATED | 1600 | 1.00 | 1.03 |
| | LOW | 1400 | 0.99 | 1.00 |
| | HIGH | 1800 | 1.01 | 1.05 |
| TDY100R9V4+RXC037S3 | RATED | 1600 | 0.97 | 1.05 |
| | LOW | 1400 | 0.96 | 1.02 |
| | HIGH | 1800 | 0.98 | 1.07 |
| TDY100R9V4+RXC054S3 | RATED | 1600 | 0.97 | 1.04 |
| | LOW | 1400 | 0.96 | 1.02 |
| | HIGH | 1800 | 0.98 | 1.07 |
| TDY100R9V4+RXH063S3 | RATED | 1600 | 1.00 | 1.05 |
| | LOW | 1400 | 0.99 | 1.02 |
| | HIGH | 1800 | 1.01 | 1.08 |
| TDY100R9V4+TXH041A4 | RATED | 1600 | 0.96 | 1.04 |
| | LOW | 1400 | 0.95 | 1.01 |
| | HIGH | 1800 | 0.97 | 1.06 |
| TDY100R9V4+TXH041A4+4AYTXVH-3 | RATED | 1600 | 0.96 | 1.03 |
| | LOW | 1400 | 0.95 | 1.01 |
| | HIGH | 1800 | 0.97 | 1.06 |
| TDY100R9V4+TXH054A4 | RATED | 1600 | 1.00 | 1.06 |
| | LOW | 1400 | 0.98 | 1.03 |
| | HIGH | 1800 | 1.01 | 1.08 |
| TDY100R9V4+TXH054A4+4AYTXVH-3 | RATED | 1600 | 0.99 | 1.05 |
| | LOW | 1400 | 0.97 | 1.02 |
| | HIGH | 1800 | 1.00 | 1.07 |
| TDY120R9V5+RXH063S3 | RATED | 1600 | 1.00 | 1.03 |
| | LOW | 1400 | 0.99 | 1.01 |
| | HIGH | 1800 | 1.01 | 1.06 |
| TDY120R9V5+TXH041A4 | RATED | 1600 | 0.96 | 1.01 |
| | LOW | 1400 | 0.94 | 0.99 |
| | HIGH | 1800 | 0.97 | 1.04 |
| TDY120R9V5+TXH041A4+4AYTXVH-3 | RATED | 1600 | 0.96 | 1.02 |
| | LOW | 1400 | 0.94 | 0.99 |
| | HIGH | 1800 | 0.97 | 1.04 |
| TDY120R9V5+TXH054A4 | RATED | 1600 | 0.99 | 1.04 |
| | LOW | 1400 | 0.97 | 1.01 |
| | HIGH | 1800 | 1.00 | 1.06 |



Performance Data Heating

4TWX4048B1

CORRECTION FACTORS FOR OTHER COMBINATIONS (MULTIPLY DATA BY FACTOR)

| INDOOR MODEL | | CFM | MBTUH TOT | SYST KW |
|-------------------------------|-------|------|--------------|------------|
| TDY120R9V5+TXH054A4+4AYTXVH-3 | RATED | 1600 | 0.98 | 1.03 |
| | LOW | 1400 | 0.97 | 1.01 |
| | HIGH | 1800 | 0.99 | 1.06 |
| TUD100R9V5+RXC037S3 | RATED | 1600 | 0.99 | 1.05 |
| | LOW | 1400 | 0.98 | 1.02 |
| | HIGH | 1800 | 1.01 | 1.07 |
| TUD100R9V5+RXC054S3 | RATED | 1600 | 0.99 | 1.04 |
| | LOW | 1400 | 0.97 | 1.01 |
| | HIGH | 1800 | 1.00 | 1.06 |
| TUD100R9V5+RXH063S3 | RATED | 1600 | 1.03 | 1.05 |
| | LOW | 1400 | 1.01 | 1.02 |
| | HIGH | 1800 | 1.04 | 1.07 |
| TUD100R9V5+TXH041A4 | RATED | 1600 | 0.99 | 1.03 |
| | LOW | 1400 | 0.97 | 1.01 |
| | HIGH | 1800 | 1.00 | 1.06 |
| TUD100R9V5+TXH041A4+4AYTXVH-3 | RATED | 1600 | 0.98 | 1.03 |
| | LOW | 1400 | 0.97 | 1.00 |
| | HIGH | 1800 | 0.99 | 1.06 |
| TUD100R9V5+TXH054A4 | RATED | 1600 | 1.02 | 1.06 |
| | LOW | 1400 | 1.01 | 1.04 |
| | HIGH | 1800 | 1.03 | 1.09 |
| TUD100R9V5+TXH054A4+4AYTXVH-3 | RATED | 1600 | 1.01 | 1.05 |
| | LOW | 1400 | 1.00 | 1.02 |
| | HIGH | 1800 | 1.02 | 1.07 |
| TUD120R9V5+RXC065S3 | RATED | 1600 | 0.99 | 1.02 |
| | LOW | 1400 | 0.98 | 1.00 |
| | HIGH | 1800 | 1.00 | 1.05 |
| TUD120R9V5+RXH063S3 | RATED | 1600 | 1.02 | 1.03 |
| | LOW | 1400 | 1.00 | 1.00 |
| | HIGH | 1800 | 1.03 | 1.06 |
| TUD120R9V5+TXH041A4 | RATED | 1600 | 0.98 | 1.02 |
| | LOW | 1400 | 0.96 | 0.99 |
| | HIGH | 1800 | 0.99 | 1.04 |
| TUD120R9V5+TXH041A4+4AYTXVH-3 | RATED | 1600 | 0.97 | 1.01 |
| | LOW | 1400 | 0.96 | 0.99 |
| | HIGH | 1800 | 0.98 | 1.04 |
| TUD120R9V5+TXH054A4 | RATED | 1600 | 1.01 | 1.04 |
| | LOW | 1400 | 1.00 | 1.02 |
| | HIGH | 1800 | 1.02 | 1.07 |
| TUD120R9V5+TXH054A4+4AYTXVH-3 | RATED | 1600 | 1.00 | 1.03 |
| | LOW | 1400 | 0.99 | 1.00 |
| | HIGH | 1800 | 1.01 | 1.06 |
| TUD140R9V5+RXC065S3 | RATED | 1600 | 0.99 | 1.02 |
| | LOW | 1400 | 0.97 | 0.99 |
| | HIGH | 1800 | 1.00 | 1.04 |
| TUD140R9V5+RXH063S3 | RATED | 1600 | 1.01 | 1.03 |
| | LOW | 1400 | 1.00 | 1.00 |
| | HIGH | 1800 | 1.02 | 1.05 |
| TUD140R9V5+TXH041A4 | RATED | 1600 | 0.97 | 1.01 |
| | LOW | 1400 | 0.96 | 0.99 |
| | HIGH | 1800 | 0.98 | 1.04 |
| TUD140R9V5+TXH041A4+4AYTXVH-3 | RATED | 1600 | 0.97 | 1.01 |
| | LOW | 1400 | 0.96 | 0.98 |
| | HIGH | 1800 | 0.98 | 1.04 |
| TUD140R9V5+TXH054A4 | RATED | 1600 | 1.00 | 1.04 |
| | LOW | 1400 | 0.99 | 1.01 |
| | HIGH | 1800 | 1.01 | 1.06 |
| TUD140R9V5+TXH054A4+4AYTXVH-3 | RATED | 1600 | 0.99 | 1.03 |
| | LOW | 1400 | 0.98 | 1.00 |
| | HIGH | 1800 | 1.01 | 1.05 |
| TUY100R9V4+RXC037S3 | RATED | 1600 | 0.97 | 1.03 |
| | LOW | 1400 | 0.96 | 1.01 |
| | HIGH | 1800 | 0.98 | 1.06 |

CORRECTION FACTORS FOR OTHER COMBINATIONS (MULTIPLY DATA BY FACTOR)

| INDOOR MODEL | | CFM | MBTUH TOT | SYST KW |
|-------------------------------|-------|------|--------------|------------|
| TUY100R9V4+RXC054S3 | RATED | 1600 | 0.96 | 1.03 |
| | LOW | 1400 | 0.95 | 1.00 |
| | HIGH | 1800 | 0.97 | 1.05 |
| TUY100R9V4+RXH063S3 | RATED | 1600 | 1.00 | 1.03 |
| | LOW | 1400 | 0.98 | 1.01 |
| | HIGH | 1800 | 1.01 | 1.06 |
| TUY100R9V4+TXH041A4 | RATED | 1600 | 0.96 | 1.02 |
| | LOW | 1400 | 0.94 | 0.99 |
| | HIGH | 1800 | 0.97 | 1.04 |
| TUY100R9V4+TXH041A4+4AYTXVH-3 | RATED | 1600 | 0.96 | 1.02 |
| | LOW | 1400 | 0.94 | 1.00 |
| | HIGH | 1800 | 0.97 | 1.05 |
| TUY100R9V4+TXH054A4 | RATED | 1600 | 0.99 | 1.04 |
| | LOW | 1400 | 0.98 | 1.02 |
| | HIGH | 1800 | 1.00 | 1.07 |
| TUY100R9V4+TXH054A4+4AYTXVH-3 | RATED | 1600 | 0.98 | 1.04 |
| | LOW | 1400 | 0.97 | 1.01 |
| | HIGH | 1800 | 0.99 | 1.06 |
| TUY120R9V5+RXC065S3 | RATED | 1600 | 0.97 | 1.02 |
| | LOW | 1400 | 0.96 | 0.99 |
| | HIGH | 1800 | 0.98 | 1.04 |
| TUY120R9V5+RXH063S3 | RATED | 1600 | 1.00 | 1.03 |
| | LOW | 1400 | 0.98 | 1.00 |
| | HIGH | 1800 | 1.01 | 1.05 |
| TUY120R9V5+TXH041A4 | RATED | 1600 | 0.95 | 1.01 |
| | LOW | 1400 | 0.94 | 0.98 |
| | HIGH | 1800 | 0.96 | 1.03 |
| TUY120R9V5+TXH041A4+4AYTXVH-3 | RATED | 1600 | 0.95 | 1.01 |
| | LOW | 1400 | 0.94 | 0.98 |
| | HIGH | 1800 | 0.96 | 1.03 |
| TUY120R9V5+TXH054A4 | RATED | 1600 | 0.99 | 1.03 |
| | LOW | 1400 | 0.97 | 1.01 |
| | HIGH | 1800 | 1.00 | 1.06 |
| TUY120R9V5+TXH054A4+4AYTXVH-3 | RATED | 1600 | 0.98 | 1.02 |
| | LOW | 1400 | 0.96 | 1.00 |
| | HIGH | 1800 | 0.99 | 1.05 |
| TWE042C14 | RATED | 1600 | 0.97 | 1.06 |
| | LOW | 1400 | 0.96 | 1.04 |
| | HIGH | 1800 | 0.98 | 1.09 |
| TWE042C14+4AYTXVH-3 | RATED | 1600 | 0.97 | 1.06 |
| | LOW | 1400 | 0.96 | 1.03 |
| | HIGH | 1800 | 0.98 | 1.09 |
| TWE048C14 | RATED | 1600 | 0.99 | 1.06 |
| | LOW | 1400 | 0.98 | 1.03 |
| | HIGH | 1800 | 1.00 | 1.08 |
| TWE048C14+4AYTXVH-3 | RATED | 1600 | 0.99 | 1.06 |
| | LOW | 1400 | 0.97 | 1.03 |
| | HIGH | 1800 | 1.00 | 1.08 |
| TXA042C4+4AYTXVH-3 | RATED | 1200 | 0.91 | 0.99 |
| | LOW | 1050 | 0.90 | 0.96 |
| | HIGH | 1350 | 0.93 | 1.01 |
| TXA042C4+BAY24X045 | RATED | 1200 | 0.91 | 0.98 |
| | LOW | 1050 | 0.89 | 0.95 |
| | HIGH | 1350 | 0.92 | 1.00 |
| TXA043C4+4AYTXVH-3 | RATED | 1600 | 0.97 | 1.05 |
| | LOW | 1400 | 0.96 | 1.02 |
| | HIGH | 1800 | 0.98 | 1.07 |
| TXA043C4+BAY24X045 | RATED | 1600 | 0.97 | 1.04 |
| | LOW | 1400 | 0.96 | 1.02 |
| | HIGH | 1800 | 0.98 | 1.07 |
| TXA048C4+4AYTXVH-3 | RATED | 1600 | 0.95 | 1.04 |
| | LOW | 1400 | 0.94 | 1.02 |
| | HIGH | 1800 | 0.96 | 1.07 |



Performance Data Heating

4TWX4048B1

CORRECTION FACTORS FOR OTHER COMBINATIONS (MULTIPLY DATA BY FACTOR)

| INDOOR MODEL | | CFM | MBTUH TOT | SYST KW |
|--------------------|-------|------|--------------|------------|
| TXA048C4+BAY24X045 | RATED | 1600 | 0.95 | 1.03 |
| | LOW | 1400 | 0.93 | 1.01 |
| | HIGH | 1800 | 0.96 | 1.06 |
| TXA049C4+4AYTXVH-3 | RATED | 1600 | 0.98 | 1.05 |
| | LOW | 1400 | 0.96 | 1.02 |
| | HIGH | 1800 | 0.99 | 1.07 |
| TXA049C4+BAY24X045 | RATED | 1600 | 0.98 | 1.05 |
| | LOW | 1400 | 0.97 | 1.02 |
| | HIGH | 1800 | 0.99 | 1.07 |
| TXA050C4+4AYTXVH-3 | RATED | 1600 | 0.98 | 1.05 |
| | LOW | 1400 | 0.96 | 1.02 |
| | HIGH | 1800 | 0.99 | 1.07 |
| TXA050C4+BAY24X045 | RATED | 1600 | 0.98 | 1.05 |
| | LOW | 1400 | 0.97 | 1.02 |
| | HIGH | 1800 | 0.99 | 1.07 |
| TXC042C4+4AYTXVH-3 | RATED | 1200 | 0.91 | 0.99 |
| | LOW | 1050 | 0.90 | 0.96 |
| | HIGH | 1350 | 0.93 | 1.01 |
| TXC042C4+BAY24X045 | RATED | 1200 | 0.91 | 0.98 |
| | LOW | 1050 | 0.89 | 0.95 |
| | HIGH | 1350 | 0.92 | 1.00 |
| TXC043C4+4AYTXVH-3 | RATED | 1600 | 0.97 | 1.05 |
| | LOW | 1400 | 0.96 | 1.02 |
| | HIGH | 1800 | 0.98 | 1.07 |
| TXC043C4+BAY24X045 | RATED | 1600 | 0.97 | 1.04 |
| | LOW | 1400 | 0.96 | 1.02 |
| | HIGH | 1800 | 0.98 | 1.07 |
| TXC048C4+4AYTXVH-3 | RATED | 1600 | 0.95 | 1.04 |
| | LOW | 1400 | 0.94 | 1.02 |
| | HIGH | 1800 | 0.96 | 1.07 |
| TXC048C4+BAY24X045 | RATED | 1600 | 0.95 | 1.03 |
| | LOW | 1400 | 0.93 | 1.01 |
| | HIGH | 1800 | 0.96 | 1.06 |

CORRECTION FACTORS FOR OTHER COMBINATIONS (MULTIPLY DATA BY FACTOR)

| INDOOR MODEL | | CFM | MBTUH TOT | SYST KW |
|--------------------|-------|------|--------------|------------|
| TXC049C4+4AYTXVH-3 | RATED | 1600 | 0.98 | 1.05 |
| | LOW | 1400 | 0.96 | 1.02 |
| | HIGH | 1800 | 0.99 | 1.07 |
| TXC049C4+BAY24X045 | RATED | 1600 | 0.98 | 1.05 |
| | LOW | 1400 | 0.97 | 1.02 |
| | HIGH | 1800 | 0.99 | 1.07 |
| TXC050C4+4AYTXVH-3 | RATED | 1600 | 0.98 | 1.05 |
| | LOW | 1400 | 0.96 | 1.02 |
| | HIGH | 1800 | 0.99 | 1.07 |
| TXC050C4+BAY24X045 | RATED | 1600 | 0.98 | 1.05 |
| | LOW | 1400 | 0.97 | 1.02 |
| | HIGH | 1800 | 0.99 | 1.07 |
| TXH041A4 | RATED | 1600 | 0.99 | 1.05 |
| | LOW | 1400 | 0.97 | 1.03 |
| | HIGH | 1800 | 1.00 | 1.08 |
| TXH041A4+4AYTXVH-3 | RATED | 1600 | 0.98 | 1.05 |
| | LOW | 1400 | 0.96 | 1.02 |
| | HIGH | 1800 | 0.99 | 1.07 |
| TXH041A4+BAY24X045 | RATED | 1600 | 0.99 | 1.05 |
| | LOW | 1400 | 0.97 | 1.03 |
| | HIGH | 1800 | 1.00 | 1.08 |
| TXH054A4 | RATED | 1600 | 1.01 | 1.07 |
| | LOW | 1400 | 1.00 | 1.04 |
| | HIGH | 1800 | 1.02 | 1.09 |
| TXH054A4+4AYTXVH-3 | RATED | 1600 | 1.00 | 1.06 |
| | LOW | 1400 | 0.99 | 1.03 |
| | HIGH | 1800 | 1.01 | 1.08 |
| TXH054A4+BAY24X045 | RATED | 1600 | 1.01 | 1.07 |
| | LOW | 1400 | 1.00 | 1.04 |
| | HIGH | 1800 | 1.02 | 1.09 |



Performance Data Heating

4TWX4060B1

4TWX4060B1 WITH 4TEE3F65A1 AT 2000 CFM

| O.D. TEMP. F. | HEATING CAPACITY MBH AT INDOOR DRY BULB TEMP. | | | TOTAL POWER IN KILOWATTS AT INDOOR DRY BULB TEMP. | | |
|---------------------|--|------|------|--|------|------|
| | 70 | 75 | 80 | 70 | 75 | 80 |
| | 2 | 30.1 | 29.8 | 29.5 | 4.27 | 4.39 |
| 7 | 33.1 | 32.8 | 32.5 | 4.32 | 4.45 | 4.58 |
| 12 | 36.1 | 35.7 | 35.4 | 4.37 | 4.50 | 4.63 |
| 17 | 39.1 | 38.7 | 38.3 | 4.43 | 4.56 | 4.69 |
| 22 | 40.0 | 39.6 | 39.3 | 4.44 | 4.57 | 4.71 |
| 27 | 41.0 | 40.6 | 40.2 | 4.46 | 4.59 | 4.72 |
| 32 | 42.0 | 41.6 | 41.2 | 4.47 | 4.60 | 4.74 |
| 37 | 45.0 | 44.5 | 44.1 | 4.52 | 4.66 | 4.80 |
| 42 | 51.0 | 50.5 | 50.0 | 4.64 | 4.78 | 4.91 |
| 47 | 57.0 | 56.4 | 55.9 | 4.75 | 4.89 | 5.03 |
| 52 | 60.0 | 59.4 | 58.9 | 4.80 | 4.95 | 5.09 |
| 57 | 63.0 | 62.4 | 61.8 | 4.86 | 5.00 | 5.15 |
| 62 | 66.0 | 65.3 | 64.7 | 4.91 | 5.06 | 5.20 |
| 67 | 69.0 | 68.3 | 67.7 | 4.96 | 5.11 | 5.26 |
| 72 | 72.0 | 71.2 | 70.6 | 5.02 | 5.17 | 5.32 |

CORRECTION FACTORS FOR OTHER AIRFLOWS (MULTIPLY DATA BY FACTOR)

| | AIRFLOW | TOTAL CAPACITY | SENSIBLE CAPACITY |
|------|---------|----------------|-------------------|
| LOW | 1750 | 0.98 | 0.97 |
| HIGH | 2250 | 1.01 | 1.02 |

NOTE: ALL TABLES ABOVE ARE AT ARI RATING CONDITIONS RATED WITH 25 FEET OF REFRIGERANT LINES.

CORRECTION FACTORS FOR OTHER COMBINATIONS (MULTIPLY DATA BY FACTOR)

| INDOOR MODEL | | CFM | MBTUH TOT | SYST KW |
|--------------|-------|------|--------------|------------|
| 4TEE3F49A1 | RATED | 2000 | 0.98 | 1.09 |
| | LOW | 1750 | 0.97 | 1.06 |
| | HIGH | 2250 | 1.00 | 1.12 |
| 4TEP3F48B1 | RATED | 2000 | 0.96 | 1.07 |
| | LOW | 1750 | 0.95 | 1.05 |
| | HIGH | 2250 | 0.97 | 1.10 |
| 4TEP3F63B1 | RATED | 2000 | 0.96 | 1.08 |
| | LOW | 1750 | 0.95 | 1.05 |
| | HIGH | 2250 | 0.97 | 1.10 |

CORRECTION FACTORS FOR OTHER COMBINATIONS (MULTIPLY DATA BY FACTOR)

| INDOOR MODEL | | CFM | MBTUH TOT | SYST KW |
|--------------------|-------|------|--------------|------------|
| RXA060S3 | RATED | 2000 | 0.94 | 1.06 |
| | LOW | 1750 | 0.93 | 1.04 |
| | HIGH | 2250 | 0.95 | 1.09 |
| RXA061S3 | RATED | 2000 | 0.96 | 1.07 |
| | LOW | 1750 | 0.95 | 1.05 |
| | HIGH | 2250 | 0.97 | 1.10 |
| RXC054S3 | RATED | 2000 | 0.94 | 1.06 |
| | LOW | 1750 | 0.92 | 1.04 |
| | HIGH | 2250 | 0.95 | 1.09 |
| RXC060S3 | RATED | 2000 | 0.94 | 1.06 |
| | LOW | 1750 | 0.93 | 1.04 |
| | HIGH | 2250 | 0.95 | 1.09 |
| RXC061S3 | RATED | 2000 | 0.96 | 1.07 |
| | LOW | 1750 | 0.95 | 1.05 |
| | HIGH | 2250 | 0.97 | 1.10 |
| RXC065S3 | RATED | 2000 | 0.98 | 1.08 |
| | LOW | 1750 | 0.97 | 1.05 |
| | HIGH | 2250 | 0.99 | 1.11 |
| RXH063S3 | RATED | 2000 | 1.01 | 1.09 |
| | LOW | 1750 | 1.00 | 1.07 |
| | HIGH | 2250 | 1.02 | 1.12 |
| TXA049C4+4AYTXVH-3 | RATED | 2000 | 0.93 | 1.06 |
| | LOW | 1750 | 0.92 | 1.03 |
| | HIGH | 2250 | 0.94 | 1.09 |
| TXA050C4+4AYTXVH-3 | RATED | 2000 | 0.93 | 1.06 |
| | LOW | 1750 | 0.92 | 1.03 |
| | HIGH | 2250 | 0.94 | 1.09 |
| TXC049C4+4AYTXVH-3 | RATED | 2000 | 0.93 | 1.06 |
| | LOW | 1750 | 0.92 | 1.03 |
| | HIGH | 2250 | 0.94 | 1.09 |
| TXC050C4+4AYTXVH-3 | RATED | 2000 | 0.93 | 1.06 |
| | LOW | 1750 | 0.92 | 1.03 |
| | HIGH | 2250 | 0.94 | 1.09 |
| TXH054A4+4AYTXVH-3 | RATED | 2000 | 0.96 | 1.07 |
| | LOW | 1750 | 0.95 | 1.05 |
| | HIGH | 2250 | 0.97 | 1.10 |

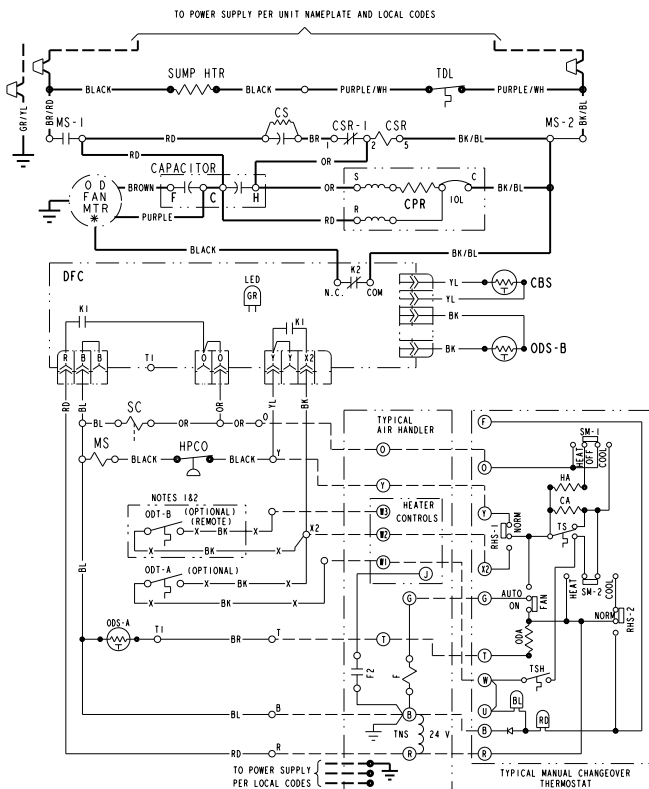


Electrical Data

Schematic Diagrams

(SEE LEGEND)

4TWX4018,024B



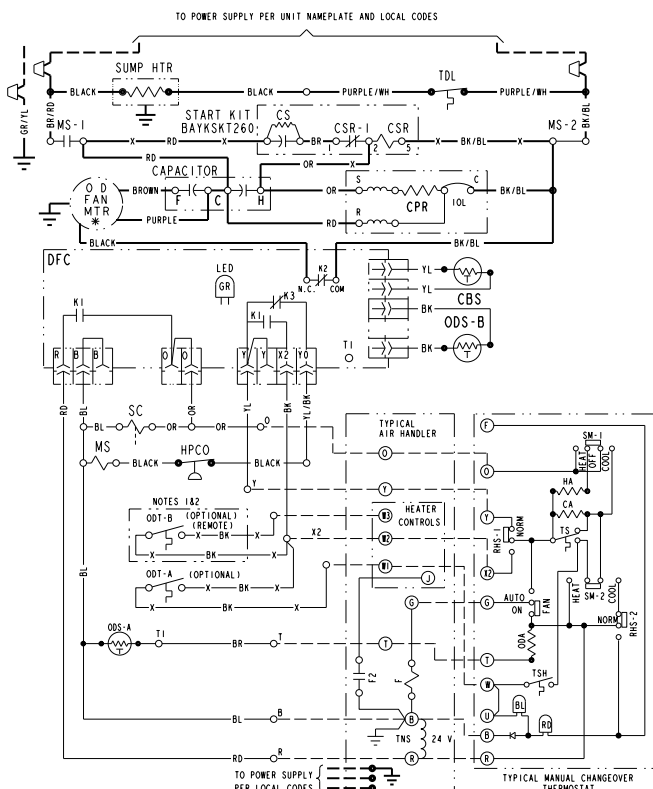
NOTES:

1. IF ODT-B IS NOT USED, ADD JUMPER BETWEEN W2 & W3 AT AIR HANDLER. IF USED, ODT-B MUST BE MOUNTED REMOTE OF CONTROL BOX IN AN APPROVED WEATHER PROOF ENCLOSURE.
2. IF ODT-A IS NOT USED, ADD JUMPER BETWEEN W1 & W2 AT AIR HANDLER.
3. LOW VOLTAGE (24 V.) FIELD WIRING MUST BE 18 AWG MIN.

| | |
|---|--|
| <p>⚠ WARNING HAZARDOUS VOLTAGE! DISCONNECT ALL ELECTRIC POWER INCLUDING REMOTE DISCONNECTS BEFORE SERVICING. FAILURE TO DISCONNECT POWER BEFORE SERVICING CAN CAUSE SEVERE PERSONAL INJURY OR DEATH!</p> | <p>⚠ CAUTION USE COPPER CONDUCTORS ONLY! UNIT TERMINALS ARE NOT DESIGNED TO ACCEPT OTHER TYPES OF CONDUCTORS. FAILURE TO DO SO MAY CAUSE DAMAGE TO THE EQUIPMENT!</p> |
|---|--|

FOR CANADIAN INSTALLATIONS
POUR INSTALLATIONS CANADIENNES
CAUTION: NOT SUITABLE FOR USE ON SYSTEMS EXCEEDING 150V-TO-GROUND.
ATTENTION: NE CONVIENT PAS AUX INSTALLATIONS DE PLUS DE 150 V A LA TERRE.

4TWX4030,036,42B



NOTES:

1. IF ODT-B IS NOT USED, ADD JUMPER BETWEEN W2 & W3 AT AIR HANDLER. IF USED, ODT-B MUST BE MOUNTED REMOTE OF CONTROL BOX IN AN APPROVED WEATHER PROOF ENCLOSURE.
2. IF ODT-A IS NOT USED, ADD JUMPER BETWEEN W1 & W2 AT AIR HANDLER.
3. LOW VOLTAGE (24 V.) FIELD WIRING MUST BE 18 AWG MIN.

| | |
|---|--|
| <p>⚠ WARNING HAZARDOUS VOLTAGE! DISCONNECT ALL ELECTRIC POWER INCLUDING REMOTE DISCONNECTS BEFORE SERVICING. FAILURE TO DISCONNECT POWER BEFORE SERVICING CAN CAUSE SEVERE PERSONAL INJURY OR DEATH!</p> | <p>⚠ CAUTION USE COPPER CONDUCTORS ONLY! UNIT TERMINALS ARE NOT DESIGNED TO ACCEPT OTHER TYPES OF CONDUCTORS. FAILURE TO DO SO MAY CAUSE DAMAGE TO THE EQUIPMENT!</p> |
|---|--|

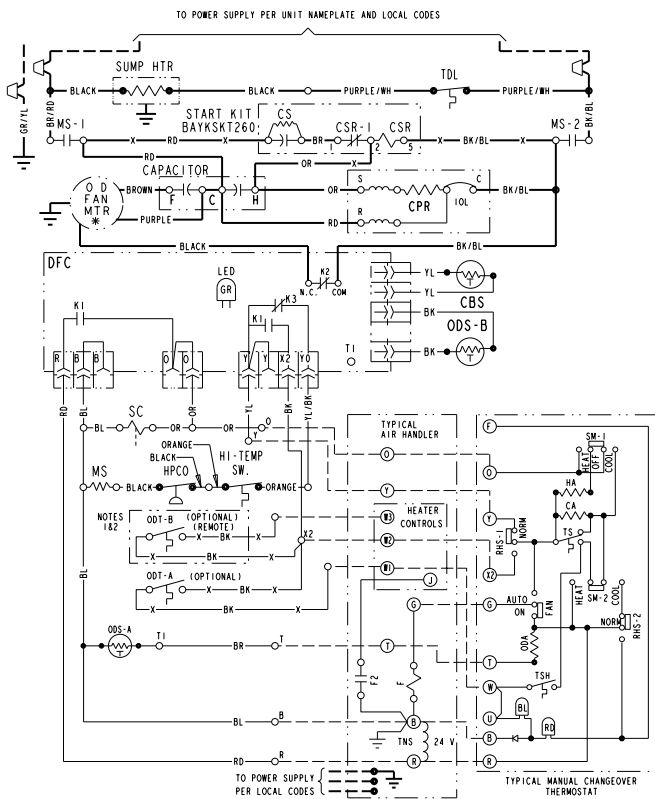
FOR CANADIAN INSTALLATIONS
POUR INSTALLATIONS CANADIENNES
CAUTION: NOT SUITABLE FOR USE ON SYSTEMS EXCEEDING 150V-TO-GROUND.
ATTENTION: NE CONVIENT PAS AUX INSTALLATIONS DE PLUS DE 150 V A LA TERRE.

Electrical Data

Schematic Diagrams

(SEE LEGEND)

4TWX4048B



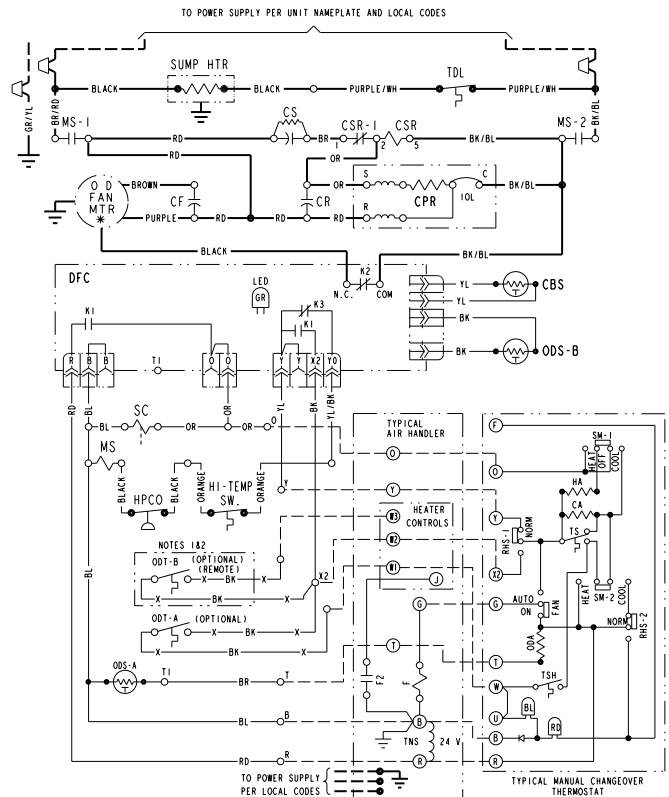
NOTES:

- IF ODT-B IS NOT USED, ADD JUMPER BETWEEN W2 & W3 AT AIR HANDLER. IF USED, ODT-B MUST BE MOUNTED REMOTE OF CONTROL BOX IN AN APPROVED WEATHER PROOF ENCLOSURE.
- IF ODT-A IS NOT USED, ADD JUMPER BETWEEN W1 & W2 AT AIR HANDLER.
- LOW VOLTAGE (24 V.) FIELD WIRING MUST BE 18 AWG MIN.

| | |
|---|--|
| <p>⚠ WARNING HAZARDOUS VOLTAGE! DISCONNECT ALL ELECTRIC POWER INCLUDING REMOTE DISCONNECTS BEFORE SERVICING. FAILURE TO DISCONNECT POWER BEFORE SERVICING CAN CAUSE SEVERE PERSONAL INJURY OR DEATH!</p> | <p>⚠ CAUTION USE COPPER CONDUCTORS ONLY! UNIT TERMINALS ARE NOT DESIGNED TO ACCEPT OTHER TYPES OF CONDUCTORS. FAILURE TO DO SO MAY CAUSE DAMAGE TO THE EQUIPMENT!</p> |
|---|--|

FOR CANADIAN INSTALLATIONS
POUR INSTALLATIONS CANADIENNES
CAUTION: NOT SUITABLE FOR USE ON SYSTEMS EXCEEDING 150V-TO-GROUND.
ATTENTION: NE CONVIENT PAS AUX INSTALLATIONS DE PLUS DE 150 V A LA TERRE.

4TWX4060B



NOTES:

- IF ODT-B IS NOT USED, ADD JUMPER BETWEEN W2 & W3 AT AIR HANDLER. IF USED, ODT-B MUST BE MOUNTED REMOTE OF CONTROL BOX IN AN APPROVED WEATHER PROOF ENCLOSURE.
- IF ODT-A IS NOT USED, ADD JUMPER BETWEEN W1 & W2 AT AIR HANDLER.
- LOW VOLTAGE (24 V.) FIELD WIRING MUST BE 18 AWG MIN.


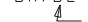
| | |
|---|--|
| <p>⚠ WARNING HAZARDOUS VOLTAGE! DISCONNECT ALL ELECTRIC POWER INCLUDING REMOTE DISCONNECTS BEFORE SERVICING. FAILURE TO DISCONNECT POWER BEFORE SERVICING CAN CAUSE SEVERE PERSONAL INJURY OR DEATH!</p> | <p>⚠ CAUTION USE COPPER CONDUCTORS ONLY! UNIT TERMINALS ARE NOT DESIGNED TO ACCEPT OTHER TYPES OF CONDUCTORS. FAILURE TO DO SO MAY CAUSE DAMAGE TO THE EQUIPMENT!</p> |
|---|--|

FOR CANADIAN INSTALLATIONS
POUR INSTALLATIONS CANADIENNES
CAUTION: NOT SUITABLE FOR USE ON SYSTEMS EXCEEDING 150V-TO-GROUND.
ATTENTION: NE CONVIENT PAS AUX INSTALLATIONS DE PLUS DE 150 V A LA TERRE.





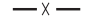


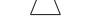

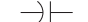




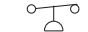
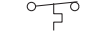
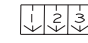
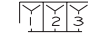



Electrical Data

Schematic Diagrams

LEGEND

| | | | | | |
|---|-----------------------------|----|--------|----|--------|
|  | COLOR OF WIRE | | | | |
| BK/BL | BLACK WIRE WITH BLUE MARKER | | | | |
|  | COLOR OF MARKER | | | | |
| BK | BLACK | OR | ORANGE | YL | YELLOW |
| BL | BLUE | RD | RED | GR | GREEN |
| BR | BROWN | WH | WHITE | PR | PURPLE |

SYMBOLS

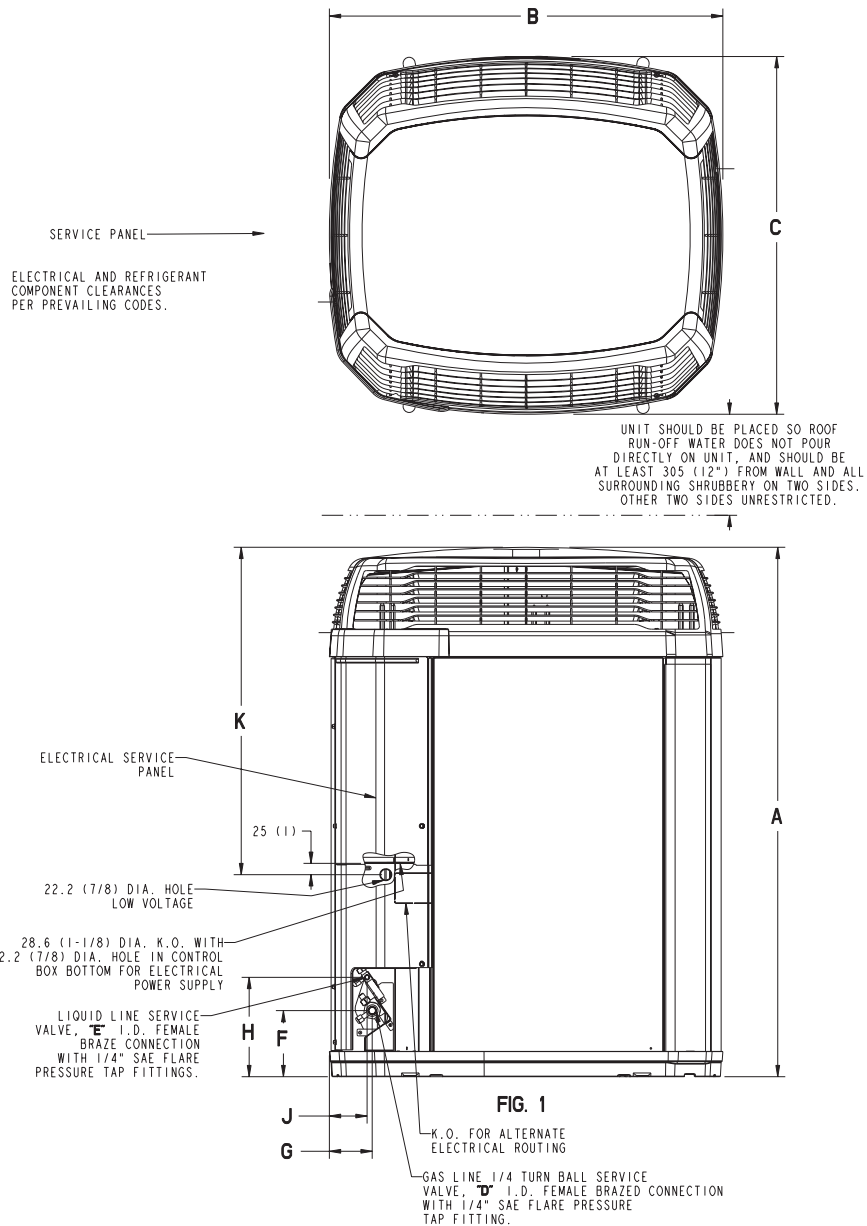
| | | | |
|---|--|---|----------------|
|  | 24 V. | } | FACTORY WIRING |
|  | LINE V. | | |
|  | 24 V. | } | FIELD WIRING |
|  | LINE V. | | |
|  | FIELD INSTALLED FACTORY WIRING | | |
|  | GROUND | | |
|  | JUNCTION | | |
|  | WIRE NUT OR CONNECTOR | | |
|  | COIL | | |
|  | CAPACITOR | | |
|  | RELAY CONTACT (N.O.) | | |
|  | RELAY CONTACT (N.C.) | | |
|  | THERMISTOR | | |
|  | INTERNAL OVERLOAD PROTECTOR | | |
|  | PRESSURE ACTUATED SWITCH | | |
|  | TEMP. ACTUATED SWITCH | | |
|  | POL. PLUG FEMALE HOUSING (MALE TERM.) | | |
|  | POL. PLUG MALE HOUSING (FEMALE TERM.) | | |
|  | RESISTOR OR HEATING ELEMENT | | |
|  | MOTOR WINDING | | |
|  | TERMINAL | | |

| | | | |
|------|-----------------------------|------|----------------------------|
| CA | COOLING ANTICIPATOR | LPCO | LOW PRESSURE CUTOUT SW. |
| CBS | COIL BOTTOM SENSOR | MS | COMPRESSOR MOTOR CONTACTOR |
| CF | FAN CAPACITOR | ODA | OUTDOOR ANTICIPATOR |
| CN | WIRE CONNECTOR | OFT | OUTDOOR FAN THERMOSTAT |
| CPR | COMPRESSOR | ODS | OUTDOOR TEMPERATURE SENSOR |
| CR | RUN CAPACITOR | ODT | OUTDOOR THERMOSTAT |
| CS | STARTING CAPACITOR | RHS | RESISTANCE HEAT SWITCH |
| CSR | CAPACITOR SWITCHING RELAY | SC | SWITCHOVER VALVE SOLENOID |
| DFC | DEFROST CONTROL | SM | SYSTEM "ON-OFF" SWITCH |
| F | INDOOR FAN RELAY | TDL | DISCHARGE LINE THERMOSTAT |
| HA | HEATING ANTICIPATOR | TNS | TRANSFORMER |
| HPCO | HIGH PRESSURE CUTOUT SW. | TS | HEATING-COOLING THERMOSTAT |
| IOL | INTERNAL OVERLOAD PROTECTOR | TSH | HEATING THERMOSTAT |

Dimensions

4TWX4 Outline Drawing

NOTE: ALL DIMENSIONS ARE IN MM (INCHES)



| MODELS | BASE | A | B | C | D | E | F | G | H | J | K |
|-----------|------|---------------|--------------|--------------|-----|------|-------------|------------|-------------|------------|--------------|
| 4TWX4018B | 3 | 1118 (44) | 829 (32-5/8) | 756 (29-3/4) | 1/2 | 1/4 | 143 (5-5/8) | 92 (3-5/8) | 210 (8-1/4) | 79 (3-1/8) | 692 (27-1/4) |
| 4TWX4024B | 3 | 1219 (48) | 829 (32-5/8) | 756 (29-3/4) | 5/8 | 5/16 | 143 (5-5/8) | 92 (3-5/8) | 210 (8-1/4) | 79 (3-1/8) | 692 (27-1/4) |
| 4TWX4030B | 3 | 1219 (48) | 829 (32-5/8) | 756 (29-3/4) | 3/4 | 5/16 | 143 (5-5/8) | 92 (3-5/8) | 210 (8-1/4) | 79 (3-1/8) | 692 (27-1/4) |
| 4TWX4036B | 4 | 1165 (45-7/8) | 946 (37-1/4) | 870 (34-1/4) | 3/4 | 3/8 | 152 (6) | 98 (3-7/8) | 219 (8-5/8) | 86 (3-3/8) | 730 (28-3/4) |
| 4TWX4042B | 4 | 1267 (49-7/8) | 946 (37-1/4) | 870 (34-1/4) | 3/4 | 3/8 | 152 (6) | 98 (3-7/8) | 219 (8-5/8) | 86 (3-3/8) | 730 (28-3/4) |
| 4TWX4048B | 4 | 1267 (49-7/8) | 946 (37-1/4) | 870 (34-1/4) | 7/8 | 3/8 | 152 (6) | 98 (3-7/8) | 219 (8-5/8) | 86 (3-3/8) | 730 (28-3/4) |
| 4TWX4060B | 4 | 1267 (49-7/8) | 946 (37-1/4) | 870 (34-1/4) | 7/8 | 3/8 | 152 (6) | 98 (3-7/8) | 219 (8-5/8) | 86 (3-3/8) | 730 (28-3/4) |

From Dwg. 21D152635 Rev. 11



Mechanical Specification Options

General

The 4TWX4 is fully charged from the factory for up to 15 feet of piping. This unit is designed to operate at outdoor ambient temperatures as high as 115°F. Cooling capacities are matched with a wide selection of air handlers and furnace coils that are ARI certified. The unit is UL listed. Exterior is designed for outdoor application.

Casing

Unit casing is constructed of heavy gauge, G90 galvanized steel and painted with a weather-resistant powder paint on all louvers, panels, prepaint on all other panels. Corrosion and weather-proof CMBP-G30 DuraTuff™ base.

Refrigerant Controls

Refrigeration system controls include condenser fan, compressor contactor and high pressure switch. High and low pressure controls are inherent to the compressor. A factory installed liquid line drier is standard.

Compressor

The Climatuff® compressor features a 10 year limited warranty, internal over temperature and pressure protection and total dipped hermetic motor. Other features include: roto lock suction and discharge refrigerant connections, centrifugal oil pump and low vibration and noise.

Condenser Coil

The outdoor coil provides low airflow resistance and efficient heat transfer. The coil is protected on all four sides by louvered panels and has a 10 year limited warranty.

Low Ambient Cooling

As manufactured, this unit has a cooling capability to 55°F. The addition of an evaporator defrost control permits operation to 40°F. The addition of an evaporator defrost control with TXV permits low ambient cooling to 30°F.

Accessories

Thermostats — Cooling only and heat/cooling (manual and automatic changeover). Sub-base to match thermostat and locking thermostat cover.

Evaporator Defrost Control — See Low Ambient Cooling.

