

CONCORD®

Quality heating and cooling products

95% Gas Furnaces

Single Stage - High Efficiency (Constant Torque) Motor

95G1-E

Features and Benefits

Form No. R95G1-E-100 (01/2012)



10 year
limited
Parts
Warranty

WARRANTY

- 10 year limited parts warranty / lifetime heat exchanger warranty available. See limited warranty document for details.

INSTALLATION FEATURES

- Left or right utility connection
- Design certified for direct and non-direct vent applications
- Zero step horizontal conversion
- Removable floor base (upflow / horizontal units) for bottom return air
- Complies with California's South Coast Air Quality Management district Low NOx requirements

CONFIGURATIONS

- Upflow / Horizontal
- Downflow

HEAT EXCHANGER DESIGN

- Aluminized steel primary heat exchanger with crimped non-welded construction
- AL 29-4C Stainless steel secondary heat exchanger

BURNER

- Aluminized steel inshot burners for smooth ignition

CABINET DESIGN

- Compact 33" height
- Standardized widths for easy coil fit

AIR DELIVERY SYSTEM

- Multi-speed high efficiency (constant torque) blower motor
- Easily removable slide out blower design
- Enhanced cooling SEER ratings when applied with properly matched cooling equipment.

CONTROLS

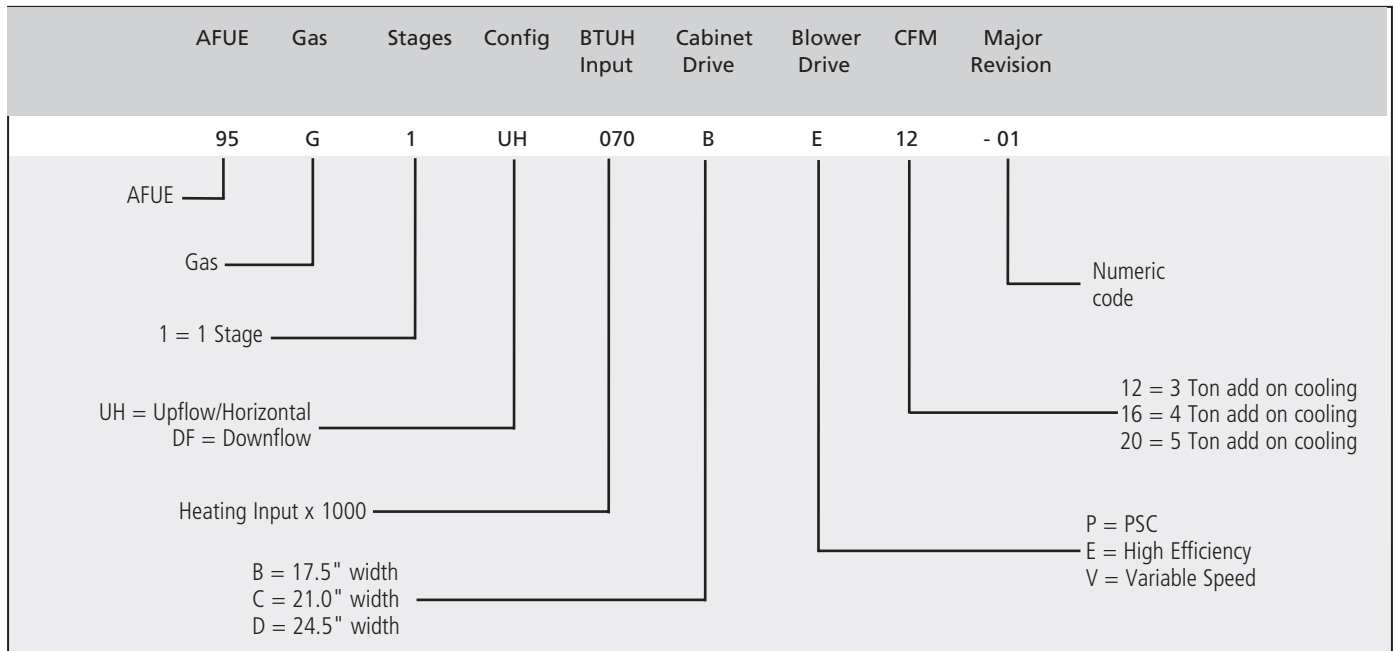
- Single stage gas valve
- Durable silicon nitride ignitor
- Self diagnostics saves last 10 fault codes regardless of power interruption
- Control features electronic air cleaner and humidifier terminals

VENTING

- Designed certified for direct (2-pipe) and non direct (1-pipe) applications
- Easily vented with PVC pipe



Model Number Guide



Physical and Electrical Data

	Model	Input (Btuh)	Output (Btuh)	AFUE (ICS)	Nom. Cooling Capacity	Gas Inlet (in.)	Volts/ Hz/ Phase	Max. Time Delay Breaker or Fuse	Nominal F.L.A.	Trans. (V.A.)	Approx. Shipping Weight (lbs.)
Upflow / Horizontal	95G1UH045BE12	44,000	42,000	95.0%	1-1/2 — 3	1/2	120 - 60 - 1	15	6.8	40	129
	95G1UH070BE12	66,000	64,000	95.0%	1-1/2 — 3	1/2	120 - 60 - 1	15	6.8	40	136
	95G1UH090CE16	88,000	85,000	95.0%	2-1/2 — 4	1/2	120 - 60 - 1	15	8.4	40	160
	95G1UH110CE20	110,000	106,000	95.0%	3 — 5	1/2	120 - 60 - 1	15	10.9	40	170
	95G1UH135DE20	132,000	126,000	95.0%	3-1/2 — 5	1/2	120 - 60 - 1	15	10.9	40	187
Downflow	95G1DF045BE12	44,000	42,000	95.0%	1-1/2 — 3	1/2	120 - 60 - 1	15	6.8	40	131
	95G1DF070BE16	66,000	64,000	95.0%	2-1/2 — 4	1/2	120 - 60 - 1	15	8.4	40	146
	95G1DF090CE16	88,000	85,000	95.0%	2-1/2 — 4	1/2	120 - 60 - 1	15	8.4	40	162
	95G1DF110CE20	110,000	106,000	95.0%	3 — 5	1/2	120 - 60 - 1	15	10.9	40	174

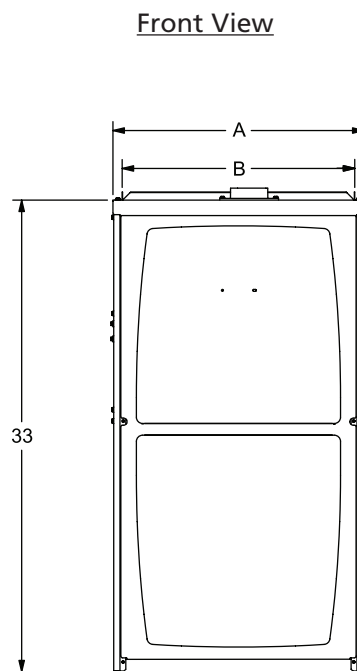
Note: For vent length and clearances to combustibles, please reference installation instructions.

Blower Performance Data

	Model	Motor Size (hp)	Blower Size	Temp Rise (F°)	Blower Speed	CFM @ external static pressure - " w.c.						
						.20	.30	.40	.50	.60	.70	.80
Upflow / Horizontal	95G1UH045BE12	1/2	10 x 8	25 - 55	High	1290	1275	1220	1215	1190	N/A	N/A
					Med/High	1190	1150	1120	1090	1060	1015	1000
					Med	1080	1045	1015	980	950	900	870
					Med/Low	825	785	735	705	650	620	580
					Low	780	720	690	635	600	555	520
	95G1UH070BE12	1/2	10 x 8	40 - 70	High	1310	1275	1250	1215	1200	1145	N/A
					Med/High	1250	1205	1175	1145	1100	1070	1035
					Med	1130	1100	1065	1045	995	960	925
					Med/Low	880	835	795	745	705	670	610
					Low	815	775	730	670	640	585	550
	95G1UH090CE16	3/4	10 x 10	40 - 70	High	1660	1615	1590	1560	1525	1475	N/A
					Med/High	1435	1390	1350	1310	1255	1220	1170
					Med	1290	1240	1200	1155	1105	1065	1010
					Med/Low	1195	1140	1110	1055	1005	960	920
					Low	1045	995	945	895	855	805	760
	95G1UH110CE20	1	11-1/2 x 10	40 - 70	High	2130	2095	2065	2030	1995	1955	1930
					Med/High	1865	1835	1785	1755	1705	1660	1635
					Med	1670	1640	1600	1560	1525	1475	1445
					Med/Low	1560	1525	1465	1425	1380	1350	1300
					Low	1345	1285	1250	1215	1150	1100	1050
95G1UH135DE20	1	11-1/2 x 10	45 - 75	High	2330	2295	2275	2225	2185	N/A	N/A	
				Med/High	2180	2120	2075	2035	2020	1940	1890	
				Med	1950	1925	1885	1845	1815	1736	1715	
				Med/Low	1745	1690	1640	1605	1565	1520	1465	
				Low	1535	1480	1445	1395	1330	1310	1285	
Downflow	95G1DF045BE12	1/2	10 x 8	25-55	High	1320	1285	1275	1230	1185	N/A	N/A
					Med/High	1215	1165	1150	1095	1060	1020	980
					Med	1090	1065	1025	985	935	915	860
					Med/Low	825	795	750	705	655	590	555
					Low	785	735	705	650	605	545	485
	95G1DF070BE16	3/4	11-1/2 x 10	25-55	High	1705	1665	1605	1585	1540	N/A	N/A
					Med/High	1470	1430	1390	1335	1300	1260	1220
					Med	1265	1235	1185	1155	1100	1050	1015
					Med/Low	1165	1120	1070	1015	970	915	865
					Low	895	835	775	690	625	570	520
	95G1DF090CE16	3/4	10 x 10	40-70	High	1685	1630	1620	1570	1540	N/A	N/A
					Med/High	1455	1415	1370	1335	1295	1260	1210
					Med	1310	1285	1245	1185	1145	1110	1060
					Med/Low	1220	1165	1125	1080	1045	990	940
					Low	1080	1035	985	925	875	825	760
	95G1DF110CE20	1	11 x 11	40-70	High	2185	2150	2085	2060	2005	1970	1910
					Med/High	1910	1850	1810	1765	1700	1665	1620
					Med	1720	1670	1605	1565	1510	1460	1420
					Med/Low	1575	1525	1465	1420	1370	1325	1275
					Low	1360	1290	1255	1190	1160	1100	1045

Dimensions (in.)

	Model	A	B	C	D
Upflow/Horizontal	95G1UH045BE12S	17-1/2	16-3/8	16	7-5/8
	95G1UH070BE12S	17-1/2	16-3/8	16	7-5/8
	95G1UH090CE16S	21	19-7/8	19-1/2	9-3/8
	95G1UH110CE20S	21	19-7/8	19-1/2	9-3/8
	95G1UH135DE20S	24-1/2	23-3/8	23	11-1/8
Downflow	95G1DF045BE12S	17-1/2	16-3/8	16	15-1/2
	95G1DF070BE16S	17-1/2	16-3/8	16	15-1/2
	95G1DF090CE16S	21	19-7/8	19-1/2	19
	95G1DF110CE20S	21	19-7/8	19-1/2	19



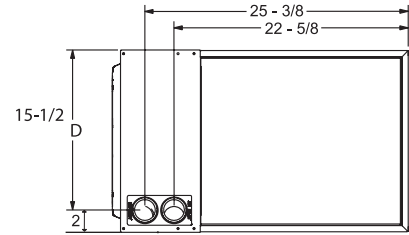
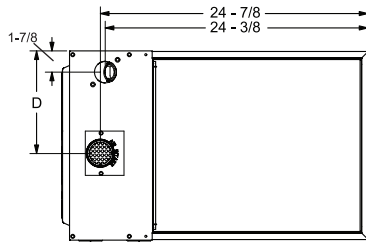
Dimensions (in.)

Upflow / Horizontal

Downflow

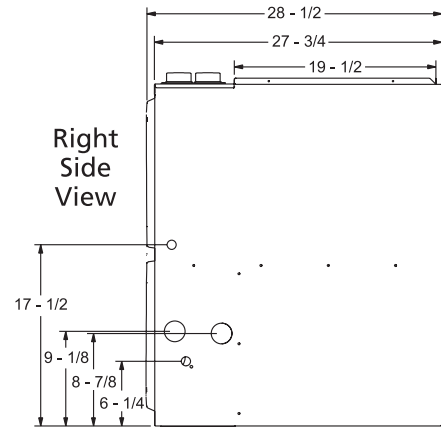
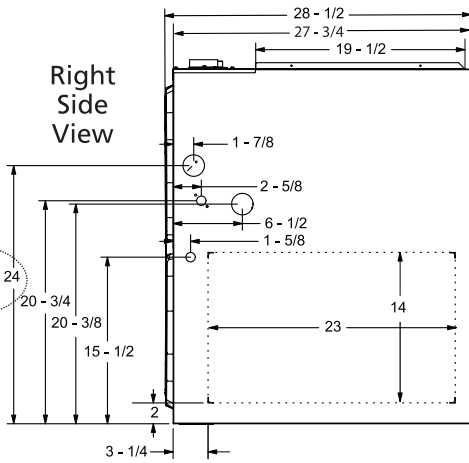
Top View

Top View



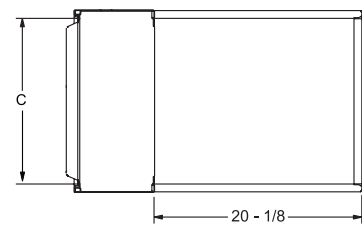
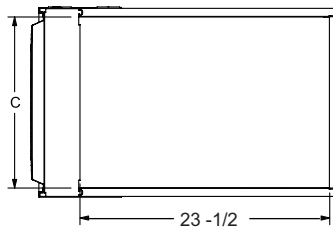
Right Side View

Right Side View



Bottom View

Bottom View



Accessory List

Catalog Number	Description
External Filter Rack kits	
1.841018	1 pack (16 x 25)
1.841039	10 pack (16 x 25)
Natural to LP kits	
68W75	1-Stage - 90
Return Air Base	
68W62	17.5" B Width
68W63	21.0" C Width
68W64	24.5" D Width
Downflow Combustible Flooring Base	
11M60	17.5" B Width
11M61	21.0" C Width
Night Service Kits	
86W57	Single Stage
Horizontal Suspension Kit	
51W10	80% & 90% Kit
Flush Mount Termination (90% Furnaces only) US Only	
51W11	2" & 3" Vent Version
Concentric Vent Kit (90% Furnaces only) US Only	
71M80	1-1/2" Vent Version
69M29	2" Vent Version
60L46	3" Vent Version
Concentric Vent Kit (90% Furnaces only) Canada	
44W92	1-1/2" and 2" Vent Version
44W93	3" Vent Version
2-Stage Compressor Relay Kit	
85W66	Blower Relay Kit

For vent length and clearances to combustibles, please reference installation instructions.

All specifications and illustrations
subject to change without notice
and without incurring obligations.

CONCORD[®]
Quality heating and cooling products

www.concord-air.com
1-800-448-5872