

QUICK REFERENCE DATA

*S4BD Series Residential Split System Air Conditioner

13 SEER

| MODEL NUMBER: *S4BD- | | 018KB | 024KB | 030KB | 036KB | 042KB | 048KB | 060KB | |
|--|------------------------|--------------------|---------------|-------|-------|----------|-------|-------|------------|
| ELECTRICAL DATA | Volts-Cycles Phase (1) | 208 / 230 - 60 - 1 | | | | | | | |
| | Total Amps | 9.3 | 13.5 | 14.8 | 18.0 | 19.4 | 23.2 | 27.8 | |
| | Delay Fuse Max. (2) | 20 | 25 | 30 | 35 | 40 | 50 | 60 | |
| | Min. Circuit Ampacity | 11.6 | 16.7 | 18.3 | 22.2 | 23.9 | 28.7 | 34.4 | |
| COMPONENT DATA | Coil | Area | 8.3 | 8.3 | 10.0 | 10.0 | 15.3 | 15.3 | 17.9 |
| | | Rows-FPI | 1-18 | | | | | | |
| | | Tube Dia. | Micro-Channel | | | | | | |
| | Fan Motor | Type | PSC | | | | | | |
| | | Amps | 0.35 | 0.7 | 0.7 | 1.4 | 1.5 | 1.5 | 1.5 |
| | | HP | 0.05 | 0.1 | 0.1 | 0.25 | 0.25 | 0.25 | 0.25 |
| | Compressor Data | RLA | 9.0 | 12.8 | 14.1 | 16.6 | 17.9 | 21.8 | 26.4 |
| LRA | | 48.0 | 58.3 | 73.0 | 79.0 | 112.0 | 117.0 | 134.0 | |
| RECOMMENDED REFRIGERANT SUCTION LINE O.D. | | 0 - 24 ft. | 3/4" | 3/4" | 3/4" | 3/4" | 7/8" | 7/8" | 7/8" |
| NOTE: Liquid line is 3/8" O.D. for entire length. | | 25 - 39 ft. | 3/4" | 3/4" | 3/4" | 7/8" (3) | 7/8" | 7/8" | 1-1/8" (4) |
| | | 40 - 75 ft. | 3/4" | 3/4" | 3/4" | 7/8" (3) | 7/8" | 7/8" | 1-1/8" (4) |
| REFRIGERANT CHARGE | | | | | | | | | |
| R-410A in ounces for outdoor unit & 15' Lineset. (5) | | 40.4 | 41.0 | 40.0 | 41.0 | 59.0 | 60.0 | 69.6 | |
| APPROXIMATE WEIGHT (LBS.) | Net | 109 | 125 | 138 | 140 | 179 | 179 | 188 | |
| | Ship | 114 | 130 | 144 | 146 | 187 | 187 | 197 | |

- (1) Operating Voltage Range: 187v min. — 253v max.
- (2) HACR Type Circuit Breakers may be used.
- (3) Requires 7/8" to 3/4" reducer from line to unit.
- (4) Requires 7/8" to 1-1/8" reducer from line to unit.
- (5) Additional charge for line sets above 15 feet. Values based on suction line as follows with 3/8" liquid line.
 - (a) 3/4" = 0.6 oz. per additional foot.
 - (b) 7/8" = 0.7 oz. per additional foot.
 - (c) 1 1/8" = 0.8 oz. per additional foot.

Table 1. Electrical Specifications & Physical Data

| THERMOSTAT WIRE GAUGE | RECOMMENDED T-STAT WIRE UNIT TO T-STAT (LENGTH IN FT) | |
|-----------------------|---|--------------------------|
| | 2-WIRE (HEATING) | 5-WIRE (HEATING/COOLING) |
| 24 | 55 | 25 |
| 22 | 90 | 45 |
| 20 | 140 | 70 |
| 18 | 225 | 110 |

Table 2. Thermostat Wire Gauge

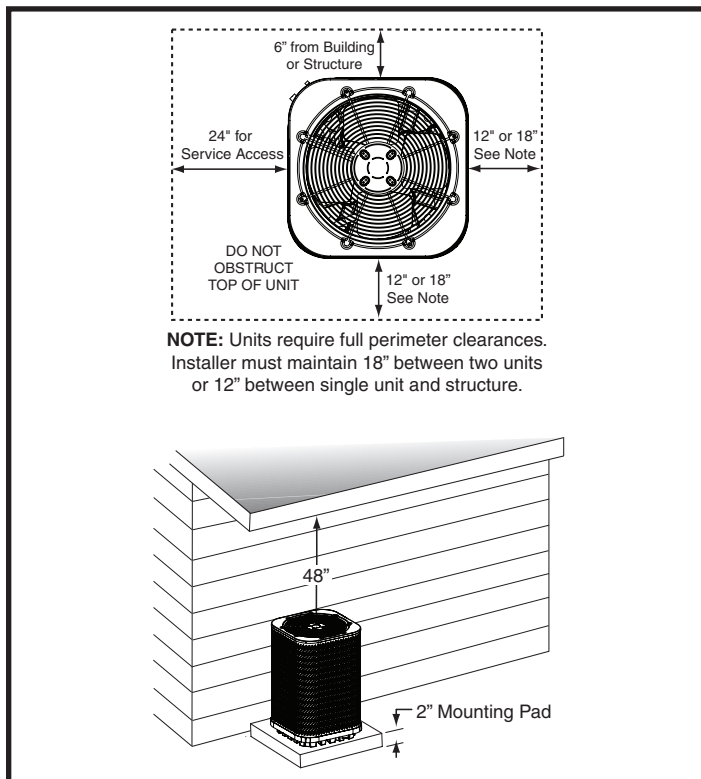
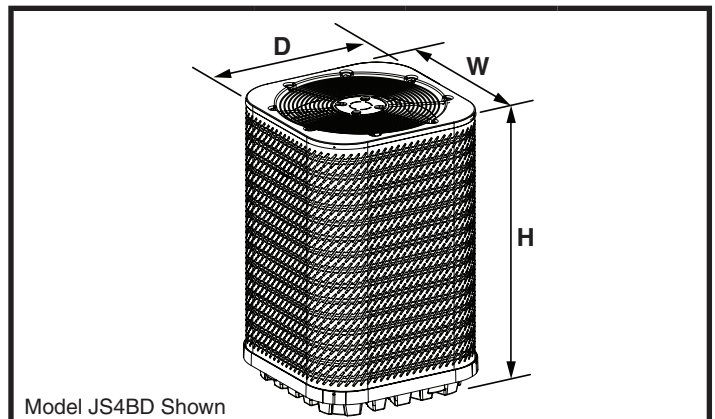


Figure 1. Clearance Requirements



| MODEL NUMBER | HEIGHT (H) | WIDTH (W) | DEPTH (D) |
|--------------|------------|-----------|-----------|
| *S4BD-018KB | 23 1/2" | 22 3/4" | 22 3/4" |
| *S4BD-024KB | 23 1/2" | 22 3/4" | 22 3/4" |
| *S4BD-030KB | 27 1/2" | 22 3/4" | 22 3/4" |
| *S4BD-036KB | 27 1/2" | 22 3/4" | 22 3/4" |
| *S4BD-042KB | 27 1/2" | 30 3/4" | 30 3/4" |
| *S4BD-048KB | 27 1/2" | 30 3/4" | 30 3/4" |
| *S4BD-060KB | 31 1/2" | 30 3/4" | 30 3/4" |

Table 3. Unit Dimensions

Instructions:

1. Find the column for the model of outdoor unit that is being installed.
2. Find the row for the model of the indoor unit that is being installed.
3. Find the cell in the table in which this row and column meet. In this cell the appropriate orifice / TXV and charge addition for this match are listed. If the text in this cell is BOLD, then a change of orifice is necessary.
4. If a change in restrictor is necessary, then the appropriate restrictor will already be supplied with the outdoor unit.

Examples:

- For the *S4BD-030KB / B4VM-X30K-B match, the appropriate TXV is the 669565 and 36 ounces of charge will need to be added. (CHANGE IN CHARGE)
- For the *S4BD-024KB / B6EMMX24K-B match, the appropriate TXV is the 669564 and no additional charge needs to be added. (NO CHANGES ARE NECESSARY)

| MODEL NUMBER: *S4BD- | | 018KB | 024KB | 030KB | 036KB | 042KB | 048KB | 060KB |
|--------------------------------------|------------------|--|----------------------|----------------------|----------------------|-----------------------|-----------------------|-----------------------|
| ID RESTRICTOR SUPPLIED WITH OD UNIT: | | 0.048 | 0.056 | 0.060, 0.061 | 0.065, 0.067 | 0.071, 0.072 | 0.076, 0.077 | 0.087 |
| OUTDOOR UNIT BOM CHARGE (OZ.) | | 40.4 | 41 | 40 | 41 | 59 | 60 | 69.6 |
| MODELS | SUPPLIED WITH ID | REQUIRED RESTRICTOR OR TXV (CHARGE ADDITION (OZ) / RATED AIRFLOW (SCFM)) | | | | | | |
| B4VM | | | | | | | | |
| B4VM-X24K-A | 669564 | 669564 (30 / 550) | 669564 (29 / 700) | -- | -- | -- | -- | -- |
| B4VM-X24K-B | 669564 | 669564 (30 / 550) | 669564 (29 / 700) | -- | -- | -- | -- | -- |
| B4VM-X30K-A | 669565 | -- | -- | 669565 (36 / 950) | -- | -- | -- | -- |
| B4VM-X30K-B | 669565 | -- | -- | 669565 (36 / 950) | -- | -- | -- | -- |
| B4VM-X36K-B | 669566 | -- | -- | -- | 669566 (31 / 950) | -- | -- | -- |
| B4VM-X48K-B | 669568 | -- | -- | -- | -- | 669568 (34 / 1250) | -- | -- |
| B4VM-X48K-C | 669568 | -- | -- | -- | -- | 669568 (34 / 1250) | 669568 (36 / 1400) | -- |
| B4VM-X60K-C | 669578 | -- | -- | -- | -- | -- | -- | 669578 (36 / 1600) |
| GB5BM-0 | | | | | | | | |
| GB5BM-024K-A | 0.055 | 0.048 (30 / 675) | 0.055 (29 / 700) | -- | -- | -- | -- | -- |
| GB5BM-024K-B | 0.055 | 0.048 (30 / 675) | 0.055 (29 / 700) | -- | -- | -- | -- | -- |
| GB5BM-030K-A | 0.065 | -- | -- | 0.065 (36 / 950) | -- | -- | -- | -- |
| GB5BM-030K-B | 0.065 | -- | -- | 0.065 (36 / 950) | -- | -- | -- | -- |
| GB5BM-036K-B | 0.073 | -- | -- | -- | 0.073 (31 / 950) | -- | -- | -- |
| GB5BM-042K-B | 0.077 | -- | -- | -- | -- | 0.077 (34 / 1250) | -- | -- |
| GB5BM-048K-C | 0.080 | -- | -- | -- | -- | -- | 0.080 (36 / 1400) | -- |
| GB5BM-060K-C | 0.089 | -- | -- | -- | -- | -- | -- | 0.089 (36 / 1600) |

NOTES:

- The charges listed are only valid for the standard 15' lineset.
- Numbers listed as 0.*** are restrictor diameters, while numbers listed as 669*** are TXV part numbers.

Table 4. Restrictor or TXV / Charge Addition (Oz)

Instructions:

1. Find the column for the model of outdoor unit that is being installed.
2. Find the row for the model of the indoor unit that is being installed.
3. Find the cell in the table in which this row and column meet. In this cell the appropriate orifice / TXV and charge addition for this match are listed. If the text in this cell is BOLD, then a change of orifice is necessary.
4. If a change in restrictor is necessary, then the appropriate restrictor will already be supplied with the outdoor unit.

Examples:

- For the *S4BD-030KB / B4VM-X30K-B match, the appropriate TXV is the 669565 and 36 ounces of charge will need to be added. (CHANGE IN CHARGE)
- For the *S4BD-024KB / B6EMMX24K-B match, the appropriate TXV is the 669564 and no additional charge needs to be added. (NO CHANGES ARE NECESSARY)

| MODEL NUMBER: *S4BD- | | 018KB | 024KB | 030KB | 036KB | 042KB | 048KB | 060KB |
|--------------------------------------|------------------|--|----------------------------|---------------------------|-----------------------------|----------------------------|-----------------------|-----------------------|
| ID RESTRICTOR SUPPLIED WITH OD UNIT: | | 0.048 | 0.056 | 0.060, 0.061 | 0.065, 0.067 | 0.071, 0.072 | 0.076, 0.077 | 0.087 |
| OUTDOOR UNIT BOM CHARGE (OZ.) | | 40.4 | 41 | 40 | 41 | 59 | 60 | 69.6 |
| MODELS | SUPPLIED WITH ID | REQUIRED RESTRICTOR OR TXV (CHARGE ADDITION (OZ) / RATED AIRFLOW (SCFM)) | | | | | | |
| GB5BMM | | | | | | | | |
| GB5BMM024K-A | 0.055 | 0.048 (0 / 555) | 0.055 (3 / 700) | -- | -- | -- | -- | -- |
| GB5BMM024K-B | 0.055 | 0.048 (0 / 550) | 0.055 (3 / 720) | -- | -- | -- | -- | -- |
| GB5BMM030K-A | 0.062 | -- | -- | 0.060 (8 / 920) | -- | -- | -- | -- |
| GB5BMM030K-B | 0.062 | -- | -- | 0.060 (8 / 890) | -- | -- | -- | -- |
| GB5BMM036K-B | 0.067 | -- | -- | -- | 0.065 (15 / 1160) | -- | -- | -- |
| GB5BMM042K-B | 0.074 | -- | -- | -- | -- | 0.072 (0 / 1370) | -- | -- |
| GB5BMM048K-B | 0.079 | -- | -- | -- | -- | -- | 0.079 (2 / 1355) | -- |
| GB5BMM048K-C | 0.079 | -- | -- | -- | -- | -- | 0.079 (2 / 1630) | -- |
| GB5BMM060K-C | 0.087 | -- | -- | -- | -- | -- | -- | 0.087 (0 / 1950) |
| B5BM-X | | | | | | | | |
| B5B(M,V)-X24K-A | 669564 | 669564 (30 / 675) | 669564 (29 / 700) | -- | -- | -- | -- | -- |
| B5B(M,V)-X24K-B | 669564 | 669564 (30 / 675) | 669564 (29 / 700) | -- | -- | -- | -- | -- |
| B5B(M,V)-X30K-A | 669565 | -- | -- | 669565 (36 / 950) | -- | -- | -- | -- |
| B5B(M,V)-X30K-B | 669565 | -- | -- | 669565 (36 / 950) | -- | -- | -- | -- |
| B5B(M,V)-X36K-B | 669566 | -- | -- | -- | 669566 (31 / 950) | -- | -- | -- |
| B5B(M,V)-X42K-B | 669567 | -- | -- | -- | -- | 669567 (34 / 1250) | -- | -- |
| B5B(M,V)-X48K-B | 669568 | -- | -- | -- | -- | -- | 669568 (36 / 1400) | -- |
| B5B(M,V)-X48K-C | 669568 | -- | -- | -- | -- | -- | 669568 (36 / 1400) | -- |
| B5B(M,V)-X60K-C | 669578 | -- | -- | -- | -- | -- | -- | 669578 (36 / 1600) |
| B5BW | | | | | | | | |
| GB5BW-030K(*) | 0.063† | 0.050 (30 / 660) | 0.057 (29 / 675) | 0.063 (36 / 760) | -- | -- | -- | -- |

NOTES:

- The charges listed are only valid for the standard 15' lineset.
- Numbers listed as 0.*** are restrictor diameters, while numbers listed as 669*** are TXV part numbers.
- † The GB5BW-030K unit is supplied with extra 0.050, 0.057, and 0.065 restrictors.

Table 4. Restrictor or TXV / Charge Addition (Oz) - Continued

Instructions:

1. Find the column for the model of outdoor unit that is being installed.
2. Find the row for the model of the indoor unit that is being installed.
3. Find the cell in the table in which this row and column meet. In this cell the appropriate orifice / TXV and charge addition for this match are listed. If the text in this cell is BOLD, then a change of orifice is necessary.
4. If a change in restrictor is necessary, then the appropriate restrictor will already be supplied with the outdoor unit.

Examples:

- For the *S4BD-030KB / B4VM-X30K-B match, the appropriate TXV is the 669565 and 36 ounces of charge will need to be added. (CHANGE IN CHARGE)
- For the *S4BD-024KB / B6EMMX24K-B match, the appropriate TXV is the 669564 and no additional charge needs to be added. (NO CHANGES ARE NECESSARY)

| MODEL NUMBER: *S4BD- | | 018KB | 024KB | 030KB | 036KB | 042KB | 048KB | 060KB |
|--------------------------------------|------------------|---|---------------------|---------------------------|-----------------------------|----------------------------|----------------------|----------------------|
| ID RESTRICTOR SUPPLIED WITH OD UNIT: | | 0.048 | 0.056 | 0.060, 0.061 | 0.065, 0.067 | 0.071, 0.072 | 0.076, 0.077 | 0.087 |
| OUTDOOR UNIT BOM CHARGE (OZ.) | | 40.4 | 41 | 40 | 41 | 59 | 60 | 69.6 |
| MODELS | SUPPLIED WITH ID | REQUIRED RESTRICTOR OR TXV (CHARGE ADDITION (OZ) / RATED AIRFLOW (SCFM)) | | | | | | |
| B6BMM0 | | | | | | | | |
| B6BMM024K-A | 0.055 | 0.048 (0 / 555) | 0.055 (3 / 700) | -- | -- | -- | -- | -- |
| B6BMM024K-B | 0.055 | 0.048 (0 / 550) | 0.055 (3 / 720) | -- | -- | -- | -- | -- |
| B6BMM030K-A | 0.062 | -- | -- | 0.060 (8 / 920) | -- | -- | -- | -- |
| B6BMM030K-B | 0.062 | -- | -- | 0.060 (8 / 890) | -- | -- | -- | -- |
| B6BMM036K-B | 0.067 | -- | -- | -- | 0.065 (15 / 1160) | -- | -- | -- |
| B6BMM042K-B | 0.074 | -- | -- | -- | -- | 0.072 (0 / 1370) | -- | -- |
| B6BMM048K-B | 0.079 | -- | -- | -- | -- | -- | 0.079 (2 / 1355) | -- |
| B6BMM048K-C | 0.079 | -- | -- | -- | -- | -- | 0.079 (2 / 1630) | -- |
| B6BMM060K-C | 0.087 | -- | -- | -- | -- | -- | -- | 0.087 (0 / 1950) |
| B6BMMX | | | | | | | | |
| B6BMMX24K-A | 669564 | 669564 (0 / 670) | 669564 (0 / 740) | -- | -- | -- | -- | -- |
| B6BMMX24K-B | 669564 | 669564 (0 / 530) | 669564 (0 / 690) | -- | -- | -- | -- | -- |
| B6BMMX30K-A | 669565 | -- | -- | 669565 (2 / 960) | -- | -- | -- | -- |
| B6BMMX30K-B | 669565 | -- | -- | 669565 (2 / 910) | -- | -- | -- | -- |
| B6BMMX36K-B | 669566 | -- | -- | -- | 669566 (6 / 1155) | -- | -- | -- |
| B6BMMX42K-B | 669567 | -- | -- | -- | -- | 669567 (4 / 1265) | -- | -- |
| B6BMMX48K-C | 669568 | -- | -- | -- | -- | -- | 669568 (3 / 1430) | -- |
| B6BMMX60K-C | 669578 | -- | -- | -- | -- | -- | -- | 669578 (0 / 1605) |

NOTES:

- The charges listed are only valid for the standard 15' lineset.
- Numbers listed as 0.*** are restrictor diameters, while numbers listed as 669*** are TXV part numbers.

Table 4. Restrictor or TXV / Charge Addition (Oz) - Continued

Instructions:

1. Find the column for the model of outdoor unit that is being installed.
2. Find the row for the model of the indoor unit that is being installed.
3. Find the cell in the table in which this row and column meet. In this cell the appropriate orifice / TXV and charge addition for this match are listed. If the text in this cell is **BOLD**, then a change of orifice is necessary.
4. If a change in restrictor is necessary, then the appropriate restrictor will already be supplied with the outdoor unit.

Examples:

- For the *S4BD-030KB / B4VM-X30K-B match, the appropriate TXV is the 669565 and 36 ounces of charge will need to be added. (CHANGE IN CHARGE)
- For the *S4BD-024KB / B6EMMX24K-B match, the appropriate TXV is the 669564 and no additional charge needs to be added. (NO CHANGES ARE NECESSARY)

| MODEL NUMBER: *S4BD- | | 018KB | 024KB | 030KB | 036KB | 042KB | 048KB | 060KB |
|--------------------------------------|------------------|--|----------------------|----------------------|-----------------------------|-----------------------|-----------------------|-----------------------|
| ID RESTRICTOR SUPPLIED WITH OD UNIT: | | 0.048 | 0.056 | 0.060, 0.061 | 0.065, 0.067 | 0.071, 0.072 | 0.076, 0.077 | 0.087 |
| OUTDOOR UNIT BOM CHARGE (OZ.) | | 40.4 | 41 | 40 | 41 | 59 | 60 | 69.6 |
| MODELS | SUPPLIED WITH ID | REQUIRED RESTRICTOR OR TXV (CHARGE ADDITION (OZ) / RATED AIRFLOW (SCFM)) | | | | | | |
| B6BM-X | | | | | | | | |
| B6BM-X24K-A | 669564 | 669564 (30 / 675) | 669564 (29 / 825) | -- | -- | -- | -- | -- |
| B6BM-X24K-B | 669564 | 669564 (30 / 650) | 669564 (28 / 800) | -- | -- | -- | -- | -- |
| B6BM-X30K-A | 669565 | -- | -- | 669565 (36 / 950) | -- | -- | -- | -- |
| B6BM-X30K-B | 669565 | -- | 669565 (29 / 700) | 669565 (36 / 950) | -- | -- | -- | -- |
| B6BM-X36K-B | 669566 | -- | -- | -- | 669566 (40 / 1145) | -- | -- | -- |
| B6BM-X42K-B | 669567 | -- | -- | -- | -- | 669564 (34 / 1250) | -- | -- |
| B6BM-X48K-C | 669568 | -- | -- | -- | -- | -- | 669568 (34 / 1585) | -- |
| B6BM-X60K-C | 669578 | -- | -- | -- | -- | -- | -- | 669578 (36 / 1600) |
| B6BW | | | | | | | | |
| B6BW-018K(*) | 0.056 | 0.048 (0 / 600) | -- | -- | -- | -- | -- | -- |
| B6BW-024K(*) | 0.057 | -- | 0.057 (3 / 800) | -- | -- | -- | -- | -- |
| B6BW-030K(*) | 0.060 | -- | -- | 0.060 (8 / 950) | -- | -- | -- | -- |
| B6BW-036K(*) | 0.069 | -- | -- | -- | 0.067 (0 / 1100) | -- | -- | -- |
| B6EW | | | | | | | | |
| B6EW-X18K | 669564 | 669564 (9 / 640) | -- | -- | -- | -- | -- | -- |
| B6EW-X24K | 669564 | -- | 669564 (5 / 800) | -- | -- | -- | -- | -- |
| B6EW-X30K | 669565 | -- | -- | 669565 (13 / 905) | -- | -- | -- | -- |
| B6EW-X36K | 669566 | -- | -- | -- | 669566 (13 / 1200) | -- | -- | -- |

NOTES:

- The charges listed are only valid for the standard 15' lineset.
- Numbers listed as 0.*** are restrictor diameters, while numbers listed as 669*** are TXV part numbers.

Table 4. Restrictor or TXV / Charge Addition (Oz) - Continued

Instructions:

1. Find the column for the model of outdoor unit that is being installed.
2. Find the row for the model of the indoor unit that is being installed.
3. Find the cell in the table in which this row and column meet. In this cell the appropriate orifice / TXV and charge addition for this match are listed. If the text in this cell is BOLD, then a change of orifice is necessary.
4. If a change in restrictor is necessary, then the appropriate restrictor will already be supplied with the outdoor unit.

Examples:

- For the *S4BD-030KB / B4VM-X30K-B match, the appropriate TXV is the 669565 and 36 ounces of charge will need to be added. (CHANGE IN CHARGE)
- For the *S4BD-024KB / B6EMMX24K-B match, the appropriate TXV is the 669564 and no additional charge needs to be added. (NO CHANGES ARE NECESSARY)

| MODEL NUMBER: *S4BD- | | 018KB | 024KB | 030KB | 036KB | 042KB | 048KB | 060KB |
|--------------------------------------|------------------|--|----------------------|----------------------|-----------------------|-----------------------|-----------------------|-----------------------|
| ID RESTRICTOR SUPPLIED WITH OD UNIT: | | 0.048 | 0.056 | 0.060, 0.061 | 0.065, 0.067 | 0.071, 0.072 | 0.076, 0.077 | 0.087 |
| OUTDOOR UNIT BOM CHARGE (OZ.) | | 40.4 | 41 | 40 | 41 | 59 | 60 | 69.6 |
| MODELS | SUPPLIED WITH ID | REQUIRED RESTRICTOR OR TXV (CHARGE ADDITION (OZ) / RATED AIRFLOW (SCFM)) | | | | | | |
| B6EM | | | | | | | | |
| B6EMMX24K-A | 669564 | 669564 (0 / 670) | 669564 (0 / 740) | -- | -- | -- | -- | -- |
| B6EMMX24K-B | 669564 | 669564 (0 / 530) | 669564 (0 / 690) | -- | -- | -- | -- | -- |
| B6EMMX30K-A | 669565 | -- | -- | 669565 (2 / 960) | -- | -- | -- | -- |
| B6EMMX30K-B | 669565 | -- | -- | 669565 (2 / 910) | -- | -- | -- | -- |
| B6EMMX36K-B | 669566 | -- | -- | -- | 669566 (6 / 1155) | -- | -- | -- |
| B6EMMX42K-B | 669567 | -- | -- | -- | -- | 669567 (4 / 1265) | -- | -- |
| B6EMMX48K-C | 669852 | -- | -- | -- | -- | 669852 (5 / 1465) | 669852 (3 / 1430) | -- |
| B6EMMX60K-C | 669578 | -- | -- | -- | -- | -- | -- | 669578 (0 / 1605) |
| B6VM | | | | | | | | |
| B6VMAX24K-A | 669564 | 669564 (30 / 550) | 669564 (29 / 700) | -- | -- | -- | -- | -- |
| B6VMAX24K-B | 669564 | 669564 (30 / 525) | 669564 (29 / 700) | -- | -- | -- | -- | -- |
| B6VMAX30K-A | 669565 | -- | -- | 669565 (36 / 950) | -- | -- | -- | -- |
| B6VMAX30K-B | 669565 | -- | 669565 (29 / 700) | 669565 (36 / 950) | -- | -- | -- | -- |
| B6VMAX36K-B | 669566 | -- | -- | -- | 669566 (31 / 1100) | -- | -- | -- |
| B6VMAX42K-B | 669567 | -- | -- | -- | -- | 669567 (34 / 1250) | -- | -- |
| B6VMAX48K-C | 669568 | -- | -- | -- | -- | 669568 (34 / 1250) | 669568 (36 / 1400) | -- |
| B6VMAX60K-C | 669578 | -- | -- | -- | -- | -- | -- | 669578 (36 / 1600) |
| B6VMMX | | | | | | | | |
| B6VMMX24K-A | 669564 | 669564 (0 / 670) | 669564 (0 / 740) | -- | -- | -- | -- | -- |
| B6VMMX24K-B | 669564 | 669564 (0 / 530) | 669564 (0 / 690) | -- | -- | -- | -- | -- |
| B6VMMX30K-A | 669565 | -- | -- | 669565 (2 / 960) | -- | -- | -- | -- |
| B6VMMX30K-B | 669565 | -- | -- | 669565 (2 / 910) | -- | -- | -- | -- |
| B6VMMX36K-B | 669566 | -- | -- | -- | 669566 (6 / 1155) | -- | -- | -- |
| B6VMMX42K-B | 669567 | -- | -- | -- | -- | 669567 (4 / 1265) | -- | -- |
| B6VMMX48K-C | 669568 | -- | -- | -- | -- | 669852 (5 / 1465) | 669852 (3 / 1430) | -- |
| B6VMMX60K-C | 669578 | -- | -- | -- | -- | -- | -- | 669578 (0 / 1605) |

NOTES:

- The charges listed are only valid for the standard 15' lineset.
- Numbers listed as 0.*** are restrictor diameters, while numbers listed as 669*** are TXV part numbers.

Table 4. Restrictor or TXV / Charge Addition (Oz) - Continued

Instructions:

1. Find the column for the model of outdoor unit that is being installed.
2. Find the row for the model of the indoor unit that is being installed.
3. Find the cell in the table in which this row and column meet. In this cell the appropriate orifice / TXV and charge addition for this match are listed. If the text in this cell is **BOLD**, then a change of orifice is necessary.
4. If a change in restrictor is necessary, then the appropriate restrictor will already be supplied with the outdoor unit.

Examples:

- For the *S4BD-030KB / B4VM-X30K-B match, the appropriate TXV is the 669565 and 36 ounces of charge will need to be added. (CHANGE IN CHARGE)
- For the *S4BD-024KB / B6EMMX24K-B match, the appropriate TXV is the 669564 and no additional charge needs to be added. (NO CHANGES ARE NECESSARY)

| MODEL NUMBER: *S4BD- | | 018KB | 024KB | 030KB | 036KB | 042KB | 048KB | 060KB |
|--------------------------------------|------------------|--|----------------------|-----------------------|-----------------------|-----------------------|-----------------------|-----------------------|
| ID RESTRICTOR SUPPLIED WITH OD UNIT: | | 0.048 | 0.056 | 0.060, 0.061 | 0.065, 0.067 | 0.071, 0.072 | 0.076, 0.077 | 0.087 |
| OUTDOOR UNIT BOM CHARGE (OZ.) | | 40.4 | 41 | 40 | 41 | 59 | 60 | 69.6 |
| MODELS | SUPPLIED WITH ID | REQUIRED RESTRICTOR OR TXV (CHARGE ADDITION (OZ) / RATED AIRFLOW (SCFM)) | | | | | | |
| C6 | | | | | | | | |
| C6B(A,H)-X24(C,U)-A | 669564 | 669564 (30 / 530) | 669564 (29 / 700) | -- | -- | -- | -- | -- |
| C6B(A,H)-X24(C,U)-B | 669681 | 669681 (30 / 600) | 669681 (29 / 700) | -- | -- | -- | -- | -- |
| C6B(A,H)-X30(C,U)-A | 669565 | -- | -- | 669565 (36 / 950) | -- | -- | -- | -- |
| C6B(A,H)-X30(C,U)-B | 669682 | -- | -- | 669682 (36 / 950) | -- | -- | -- | -- |
| C6B(A,H)-X30(C,U)-C | 669682 | -- | -- | 669682 (36 / 1000) | -- | -- | -- | -- |
| C6B(A,H)-X35(C,U)-A | 669566 | -- | -- | -- | 669566 (31 / 950) | -- | -- | -- |
| C6B(A,H)-X35(C,U)-B | 669683 | -- | -- | -- | 669683 (31 / 950) | -- | -- | -- |
| C6B(A,H)-X36(C,U)-B | 669683 | -- | -- | -- | 669683 (31 / 1100) | -- | -- | -- |
| C6B(A,H)-X36(C,U)-C | 669683 | -- | -- | -- | 669683 (31 / 1100) | -- | -- | -- |
| C6B(A,H)-X42(C,U)-B | 669684 | -- | -- | -- | -- | 669684 (34 / 1250) | -- | -- |
| C6B(A,H)-X42(C,U)-C | 669684 | -- | -- | -- | -- | 669684 (34 / 1250) | -- | -- |
| C6B(A,H)-X42(C,U)-D | 669684 | -- | -- | -- | -- | 669684 (34 / 1250) | -- | -- |
| C6B(A,H)-X47(C,U)-C | 669852 | -- | -- | -- | -- | -- | 669852 (36 / 1600) | -- |
| C6B(A,H)-X48(C,U)-C | 669852 | -- | -- | -- | -- | -- | 669852 (36 / 1600) | -- |
| C6B(A,H)-X48(C,U)-D | 669852 | -- | -- | -- | -- | -- | 669852 (36 / 1600) | -- |
| C6B(A,H)-X60(C,U)-C | 669686 | -- | -- | -- | -- | -- | -- | 669686 (36 / 1600) |
| C6B(A,H)-X60(C,U)-D | 669686 | -- | -- | -- | -- | -- | -- | 669686 (36 / 1600) |

NOTES:

- The charges listed are only valid for the standard 15' lineset.
- Numbers listed as 0.*** are restrictor diameters, while numbers listed as 669*** are TXV part numbers.

Table 4. Restrictor or TXV / Charge Addition (Oz) - Continued

| MODEL NUMBER: *S4BD- | | 018KB | 024KB | 030KB | 036KB | 042KB | 048KB | 060KB |
|--------------------------------------|------------------|---|---------------------|---------------------|----------------------|----------------------|----------------------|----------------------|
| ID RESTRICTOR SUPPLIED WITH OD UNIT: | | 0.048 | 0.056 | 0.060, 0.061 | 0.065, 0.067 | 0.071, 0.072 | 0.076, 0.077 | 0.087 |
| OUTDOOR UNIT BOM CHARGE (OZ.) | | 40.4 | 41 | 40 | 41 | 59 | 60 | 69.6 |
| MODELS | SUPPLIED WITH ID | REQUIRED RESTRICTOR OR TXV (CHARGE ADDITION (OZ) / RATED AIRFLOW (SCFM)) | | | | | | |
| C7-0 | | | | | | | | |
| C7B(A,H)M01824(C,U)-A | 0.048 | 0.048 (0 / 605) | 0.056 (0 / 700) | -- | -- | -- | -- | -- |
| C7B(A,H)M01824(C,U)-B | 0.055 | 0.048 (0 / 535) | 0.055 (5 / 700) | -- | -- | -- | -- | -- |
| C7B(A,H)M030(C,U)-C | 0.061 | -- | -- | 0.061 (0 / 960) | -- | -- | -- | -- |
| C7B(A,H)M03036(C,U)-A | 0.061 | -- | -- | 0.061 (0 / 960) | 0.067 (10 / 1055) | -- | -- | -- |
| C7B(A,H)M03036(C,U)-B | 0.067 | -- | -- | 0.061 (0 / 960) | 0.067 (10 / 1055) | -- | -- | -- |
| C7B(A,H)M03642(C,U)-B | 0.071 | -- | -- | -- | 0.067 (10 / 1055) | 0.071 (7 / 1290) | -- | -- |
| C7B(A,H)M03648(C,U)-C | 0.067 | -- | -- | -- | 0.067 (10 / 1055) | 0.071 (7 / 1290) | 0.076 (0 / 1415) | -- |
| C7B(A,H)M042(C,U)-D | 0.071 | -- | -- | -- | -- | 0.071 (7 / 1290) | -- | -- |
| C7B(A,H)M048(C,U)-C | 0.077 | -- | -- | -- | -- | -- | 0.077 (6 / 1305) | -- |
| C7B(A,H)M048(C,U)-D | 0.077 | -- | -- | -- | -- | -- | 0.077 (6 / 1305) | -- |
| C7B(A,H)M060(C,U)-C | 0.083 | -- | -- | -- | -- | -- | -- | 0.083 (12 / 1445) |
| C7B(A,H)M060(C,U)-D | 0.083 | -- | -- | -- | -- | -- | -- | 0.083 (12 / 1445) |
| C7-X | | | | | | | | |
| C7B(A,H)MX24(C,U)-A | 669681 | 669681 (0 / 650) | 669681 (0 / 695) | -- | -- | -- | -- | -- |
| C7B(A,H)MX24(C,U)-B | 669681 | 669681 (0 / 530) | 669681 (0 / 700) | -- | -- | -- | -- | -- |
| C7B(A,H)MX30(C,U)-A | 669682 | -- | -- | 669682 (0 / 955) | -- | -- | -- | -- |
| C7B(A,H)MX30(C,U)-B | 669682 | -- | -- | 669682 (0 / 955) | -- | -- | -- | -- |
| C7B(A,H)MX30(C,U)-C | 669682 | -- | -- | 669682 (0 / 970) | -- | -- | -- | -- |
| C7B(A,H)MX36(C,U)-B | 669683 | -- | -- | -- | 669683 (0 / 1100) | -- | -- | -- |
| C7B(A,H)MX36(C,U)-C | 669683 | -- | -- | -- | 669683 (0 / 1100) | -- | -- | -- |
| C7B(A,H)MX42(C,U)-B | 669684 | -- | -- | -- | -- | 669684 (5 / 1245) | -- | -- |
| C7B(A,H)MX42(C,U)-C | 669684 | -- | -- | -- | -- | 669684 (5 / 1245) | -- | -- |
| C7B(A,H)MX48(C,U)-C | 669852 | -- | -- | -- | -- | -- | 669852 (0 / 1400) | -- |
| C7B(A,H)MX48(C,U)-D | 669852 | -- | -- | -- | -- | -- | 669852 (0 / 1400) | -- |
| C7B(A,H)MX60(C,U)-C | 669686 | -- | -- | -- | -- | -- | -- | 669686 (4 / 1695) |
| C7B(A,H)MX60(C,U)-D | 669686 | -- | -- | -- | -- | -- | -- | 669686 (4 / 1695) |

NOTES:

- The charges listed are only valid for the standard 15' lineset.
- Numbers listed as 0.*** are restrictor diameters, while numbers listed as 669*** are TXV part numbers.

Table 4. Restrictor or TXV / Charge Addition (Oz) - Continued



Specifications & illustrations subject to change without notice or incurring obligations (09/14).



709646A (Replaces 7096460)