



# GEO-TRIO® High Efficiency Geothermal/Water Source Step-Capacity Heat Pump — R-410A

**Ground Water Application: Water Temp 40° to 100°**

**Ground Loop Application: Temp Range 25° to 110°**

The Bard GEO-TRIO® Geothermal/Water Source Heat Pump delivers economical year-round comfort by utilizing nature's most abundant and efficient solar energy collector – the earth. The GEO-TRIO® Series heat pumps are designed for low water flow rates and offer cooling efficiencies up to 29.1 EER and heating efficiencies up to 4.8 COP on ground water, and cooling efficiencies up to 24.9 EER and heating efficiencies up to 4.4 COP on ground loop.

All units are shipped prewired for fast, easy installation in residential or commercial buildings.

## TYPICAL INSTALLATION APPLICATIONS

Compressor, Blower and A Coil Sections stack vertically for upflow and counterflow installations. Blower and A Coil Sections can be remotely mounted in attics or crawl spaces providing horizontal right or left opportunities.



## Engineered Features

### Steel Cabinet:

Galvanized 20 gauge zinc coated steel cabinet with baked-on, textured enamel which allows it to withstand 1000 hours of salt spray exposure.

### Multi-Capacity Two-Stage:

Simple thermostatic control seamlessly stages the compressor and indoor airflow rate between full and part load capacity operation without cycling the compressor. This helps to maximize comfort, humidity control, energy efficiency and overall reduction in compressor cycling for improved system life.

### Step Capacity Compressor:

Copeland step-capacity (2-stage) scroll compressors are designed for increased efficiency, quieter operation and improved reliability for longer life.

### Compressor Sound Reduction:

Compressor is mounted on full floating base with double grommets and is equipped with discharge muffler.

### R-410A Refrigerant:

Designed with R-410A (HFC) non-ozone depleting refrigerant in compliance with the Montreal protocol and 2010 EPA requirements.

### Liquid Line Drier:

Protects system against moisture.

### Thermostatic Expansion Valve:

For wide range refrigerant control (2-way operation).

### High Pressure Switch:

Provides additional protection for the system.

### Low Pressure Switch:

Two switches provided. Factory wired switch is for ground water applications, alternate switch is field connected for ground loop applications.

### Fluid Flow Switches:

Provided for both source and load coils to assure proper flow for safe operation.

### Control Panel:

Mid-level for easy access. Blower section includes transformer and blower control.

### High Efficiency Coaxial Water Coil in either Copper or Cupronickel

Water to refrigerant coil is completely insulated to prevent frost build-up at low temperature operation.

**NOTE: Copper water coils are not warranted for ground water/open loop installations.**

### Indoor Air Coil:

Grooved copper tubing and enhanced louvered aluminum fin for maximum heat transfer and energy efficiency.

Coil coating is black E-Coat electrostatic coating on complete coil.

### Cased Indoor Air Coils for Fossil Fuel (Dual Fuel):

Insulated cased coils to fit standard 17.5" and 21" width furnaces.

### Lockout Circuit:

Built-in lockout circuit resets from the room thermostat. Provides commercial quality protection to the compressor.

### ECM Blower Motor:

- High Efficiency
- Soft starting - low noise on start up
- Continuous fan - will operate at 50% of rated Stage 2 airflow

### Mild Weather Operation:

Part Load Cooling Operation will operate at 20% reduced airflow for the first 5 minutes of operation. This results in 32% increased applied moisture removal during this 5-minute period, and helps humidity control during short-run conditions. This is seamlessly controlled internal of the unit controls with no required user intervention.

### Water Connections:

All water connections on outside of cabinet. Brass full swivel double o-ring connection with 1" full flow ports.

### Refrigerant Connections:

Special self-sealing fittings are used with 3' line set for stacked upflow or downflow applications, and line sets up to 50' available for horizontal or dual-fuel applications.

### Service Access Ports:

Permits service pressure check of discharge and suction pressures.

### Filter Rack (Optional):

Accessory kit with 1" filter (reversible for left or right side access for upflow installations).

### Accessory Electric Duct Heater Option:

5, 10, 15 and 20KW nominal size. Field installed external to unit. For upflow and horizontal duct installation.

### Counterflow Heater Accessory:

10KW and 20KW nominal size. Installed between the unit and floor surface, the GTCFHK counterflow heater accessory includes electric heat strips, heater contactors and circuit breakers.

### Optional Accessories:

Room thermostat - Water accessory kit - Waterflow controls.

### Domestic Hot Water Heat Exchanger System:

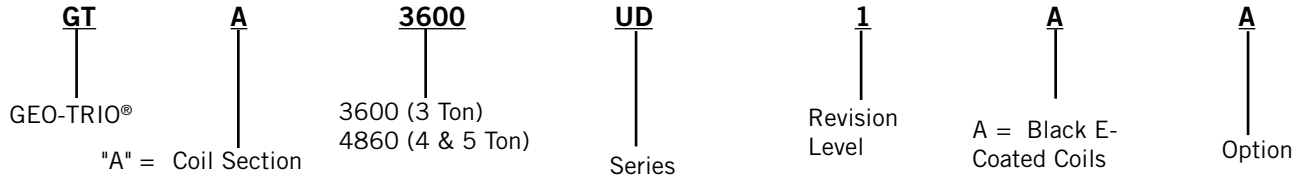
Double wall vented heat exchanger and pump with ECM motor and operating controls, factory installed on all 1-phase models.

### Hot Water Heating Performance and Operating Cost Savings:

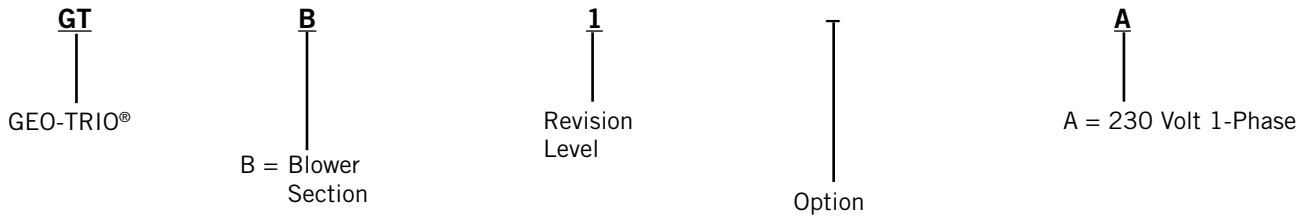
The actual amount of hot water (gallons of hot water per day) generated and resultant operating cost savings can vary greatly because of several factors: heat pump system size, hours per day of operation of the heat pump, mode of operation (cooling vs. heating), hot water usage patterns, heat pump water supply system (ground water, ground or pond loop, etc.), and climatic conditions. The gallons of hot water per day are dependent upon the above variables, and in general can range up to 125 gallons per day for a nominal 24,000 BTU heat pump system, and up to 375 gallons per day for a nominal 60,000 BTU heat pump system in the cooling mode, offering a 100% energy savings over conventional electric water heaters. During the winter months when the heat pump is operating in the heating mode, less hot water is available, but at the same time, the electric water heater will consume less electricity.

# GEO-TRIO® GT\*-Series Geothermal / Water Source Heat Pump Nomenclature

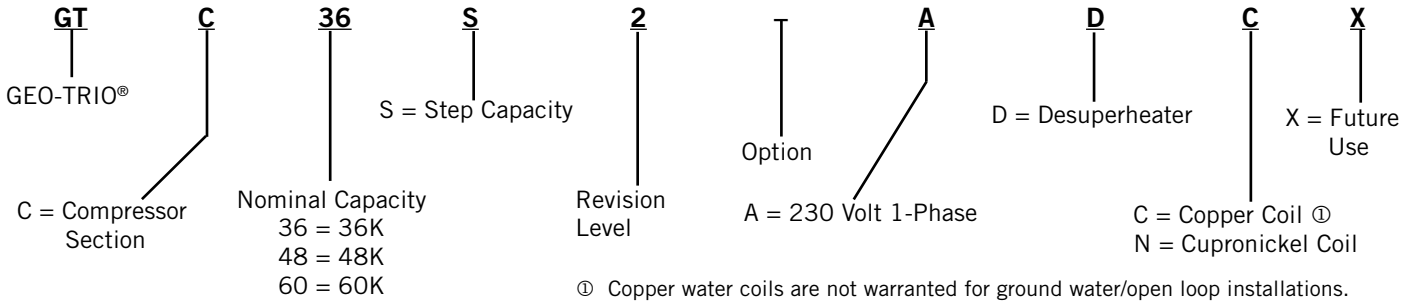
## "A" Coil Section



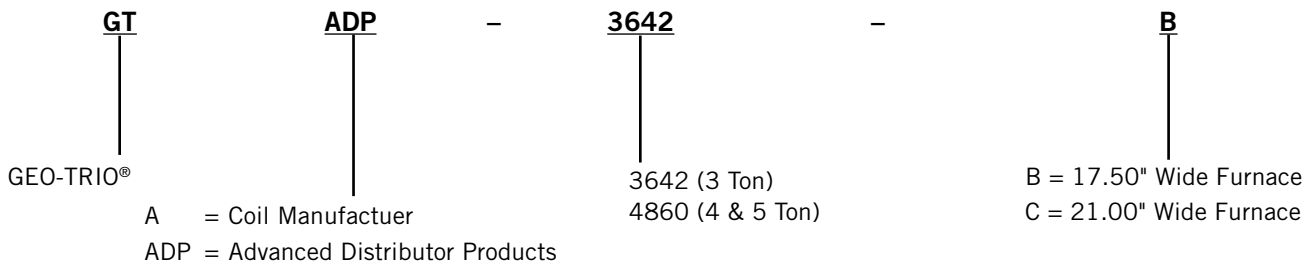
## Blower Section



## Compressor Section



## Fossil Fuel "A" Coil Section (For Use on Hi-Boy, Lo-Boy & Counterflow Gas or Oil Furnaces in place of GTA Coil)



### Cross-Reference Table

Compressor Unit Section	Bard Model No.	ADP Part No.
GTC36S2	GTADP-3642-B GTADP-3642-C	HE37942D175B2505AW HE37942D210B2505AW
GTC48S2 GTC60S2	GTADP-4860-C	HE49948D210B2705AW

### Shipping Weights - GT Series

"A" Coil Section	GTA3600UD1AA GTA4860UD1AA	93 lbs. 102 lbs.
"B" Blower Section	GTB1-A	95 lbs.
"C" Compressor Section	GTC36S2 GTC48S2 GTC60S2	248 lbs. 260 lbs. 293 lbs.

### Shipping Weights - Fossil Fuel Coils

GTADP-3642-B GTADP-3642-C	55 lbs. 59 lbs.
GTADP-4860-C	66 lbs.

## Specifications (Compressor & Blower Sections Stacked Together)

MODEL	GTC36S2	GTC48S2	GTC60S2
Electrical Rating (Volts/Hertz/Phase)	230/208-60-1		
Operating Voltage Range	253-197 VAC		
Minimum Circuit Ampacity	26.0	34.0	38.0
+Field Wire Size	#8	#6	#4
Ground Wire Size	#10	#8	#6
++Delay Fuse of Circuit Breaker Max.	40	50	60
<b>COMPRESSOR</b>			
Volts	230/208-60-1		
Rated Load Amps (230/208)	11.2 / 13.0	16.4 / 19.6	19.2 / 23.6
Branch Circuit Selection Current	16.7	21.2	25.6
Locked Rotor Amps (230/208)	82 / 82	96 / 96	118 / 118
<b>BLOWER MOTOR</b>			
Horsepower (ECM Motor)	3/4 Variable Speed		
Volts	230/208-60-1		
Motor Amps (Stage #2 @ Rated CFM)	3.4	4.3	4.4
<b>FLOW CENTER (BASED ON DORFC-2)</b>			
Volts	230/208-60-1		
Amps	2.14	2.14	2.14
<b>DESUPERHEATER PUMP MOTOR</b>			
Volts	230/208-60-1		
Amps	0.15	0.15	0.15

+75°C copper wire    ++ HACR type circuit breaker

## Specifications (for Blower Section Only when Remote Mounted from Compressor)

BLOWER SECTION (IF REMOTELY MOUNTED)	
Model	GTB1-A
HP/Type	3/4 Variable Speed
Motor Amps (RLA)	6.1
Minimum Circuit Ampacity	8
+Field Wire Size	14
++Delay Fuse of Circuit Breaker Max.	15

**NOTE:** This applies only if blower section is remote mounted from compressor section. When blower section is coupled directly to compressor section, the blower is powered from the compressor section.

+75°C copper wire    ++ HACR type circuit breaker

## Indoor Blower Performance (Rated CFM) ①

MODEL	② Rated ESP	③ MAX ESP	④ Continuous Airflow	⑤ Mild Climate Operation in Part Load Cooling	⑥ Part Load Airflow	Full Load Airflow	⑦ Electric Heat Airflow
GTC36S2	0.15	0.60	600	700	850	1200	1300
GTC48S2	0.20	0.60	750	875	1150	1500	1600
GTC60S2	0.20	0.60	900	1050	1300	1800	1800

- ① Motor will automatically step through the various airflows with thermostatic control
- ② ESP = External Static Pressure (inches of water)
- ③ Maximum allowable duct static
- ④ Continuous airflow is the CFM being circulated with manual fan operation without any additional function occurring.
- ⑤ Will occur automatically for first 5 minutes of Part Load Cooling Operation.
- ⑥ Will occur automatically after five minutes of Part Load Cooling Operation.
- ⑦ Will occur automatically with control signal input.

**NOTE: All values can be changed ± 10% via the ± adjustment dip switches on the tap select control inclusive in the GTB1-A Blower Section (see Airflow Corrections for performance impact).**

## Airflow Corrections

% of Rated Airflow	Total Capacity (MBtuH)	Sensible Capacity (MBtuH)	Power Input (KW)	Heat of Rejection (MBtuH)	Total Capacity (MBtuH)	Power Input (KW)	Heat of Absorption (MBtuH)
90%	0.985	0.844	0.978	0.983	0.988	1.030	0.978
RATED	1.000	1.000	1.000	1.000	1.000	1.000	1.000
110%	1.010	1.050	1.025	1.013	1.010	0.988	1.015

## Ratings Based on Approved Compressor, GTA-Coil & Blower Combinations

MODEL	SYSTEM CAPACITY MODULATION	FLUID FLOW RATE GPM	AIRFLOW CFM	GROUND LOOP HEAT PUMP — Tested & Certified to ISO 13256-1:1998					
				Cooling Brine Full Load 77°F/Part Load 68°F			Heating Brine Full Load 32°F/Part Load 41°F		
				CAPACITY BTUH	EER BTU/W	Energy Star Rating	CAPACITY BTUH	COP	Energy Star Rating
GTC36S2	Full Load	8.00	1200	38,800	17.50	21.20	28,800	3.90	4.15
	Part Load		850	28,000	24.90		22,800	4.40	
GTC48S2	Full Load	12.00	1500	51,000	16.00	18.75	37,500	3.60	3.85
	Part Load		1150	38,000	21.50		31,000	4.05	
GTC60S2	Full Load	15.00	1800	61,500	15.50	18.10	49,000	3.50	3.70
	Part Load		1300	47,500	20.70		39,500	3.90	
MODEL	SYSTEM CAPACITY MODULATION	FLUID FLOW RATE GPM	AIRFLOW CFM	GROUND WATER HEAT PUMP — Tested & Certified to ISO 13256-1:1998					
				Cooling — EWT 59°F			Heating — EWT 50°F		
				CAPACITY BTUH	EER BTU/W	Energy Star Rating	CAPACITY BTUH	COP	Energy Star Rating
GTC36S2	Full Load	6.00	1200	42,000	21.80	25.60	34,000	4.50	4.70
	Part Load		850	29,600	29.40		25,000	4.80	
GTC48S2	Full Load	7.00	1500	54,000	19.00	21.75	46,000	4.20	4.35
	Part Load		1150	40,000	24.50		34,000	4.45	
GTC60S2	Full Load	9.00	1800	63,500	18.80	21.80	58,000	4.05	4.15
	Part Load		1300	49,000	24.70		42,000	4.25	

## Approved Compressor, GTA-Coil & Blower Section Combinations

Compressor Unit Section	Coil Section	Blower Section
GTC36S2	GTA3600UD1-A, GTA3600UD1AA	GTB1-A
GTC48S2	GTA4860UD1-A, GTA4860UD1AA	
GTC60S2		

## Approved Compressor and GTA-Coil (Add-On Fossil Fuel Coil)

Compressor Unit Section	Coil Section
GTC36S2	GTADP-3642-B
GTC48S2	GTADP-4860-C
GTC60S2	



- Intertek ETL Listed to Standard for Safety Heating and Cooling Equipment ANSI/UL 1995/CSA 22.2 No. 236-05, Fourth Edition.

PATENT 8,127,566

## For Use with Gas or Oil Furnace as Dual Fuel Installation

The GTC Compressor Unit Sections are approved for use with certain 3rd Party A-Coils.  
See Below.

All Models are Energy Star qualified for Ground Loop and Ground Water Applications.

## Ratings Based on Approved Compressor and Fossil Fuel A-Coil

COMPRESSOR SECTION MODEL	FOSSIL FUEL A-COIL BARD NO. ①	SYSTEM CAPACITY MODULATION	FLUID FLOW RATE GPM	AIRFLOW CFM	GROUND LOOP HEAT PUMP — Tested & Certified to ISO 13256-1:1998					
					Cooling Brine Full Load 77°F/Part Load 68°F			Heating Brine Full Load 32°F/Part Load 41°F		
					CAPACITY BTUH	EER BTU/W	Energy Star Rating	CAPACITY BTUH	COP	Energy Star Rating
GTC36S2	①	Full Load Part Load	8.00	1200 850	38,500 28,000	19.30 26.00	22.65	27,000 22,200	4.10 4.40	4.25
GTC48S2	①	Full Load Part Load	12.00	1500 1150	48,000 37,000	17.50 22.60	20.05	35,000 28,000	3.80 4.00	3.90
GTC60S2	①	Full Load Part Load	15.00	1800 1300	59,500 44,500	17.00 21.30	19.15	46,500 37,000	3.70 4.00	3.85
COMPRESSOR SECTION MODEL	FOSSIL FUEL A-COIL BARD NO. ①	SYSTEM CAPACITY MODULATION	FLUID FLOW RATE GPM	AIRFLOW CFM	GROUND WATER HEAT PUMP — Tested & Certified to ISO 13256-1:1998					
					Cooling — EWT 59°F			Heating — EWT 50°F		
					CAPACITY BTUH	EER BTU/W	Energy Star Rating	CAPACITY BTUH	COP	Energy Star Rating
GTC36S2	①	Full Load Part Load	6.00	1200 850	40,500 29,000	24.00 30.60	27.30	34,000 24,600	4.85 4.95	4.90
GTC48S2	①	Full Load Part Load	7.00	1500 1150	53,000 37,500	22.00 26.00	24.00	44,000 33,000	4.50 4.70	4.60
GTC60S2	①	Full Load Part Load	9.00	1800 1300	65,000 45,000	21.30 25.20	23.25	55,000 40,000	4.35 4.45	4.40

ISO Standard 13256-1:1998, "Water to Air and Brine to Air Heat Pumps", which includes watt allowance for water pumping.  
Cooling capacity based on 80.6°F DB, 66.2°F WB entering air temperature. Heating capacity based on 68°F DB entering air temperature.

① See Cross-Reference Chart (Page 2) for approved Bard/ADP Coil part numbers.

Charge must be adjusted when using a Fossil Fuel A-Coil. See Installation Manual.

A coil spacer with a minimum height of 6" must be used on all Oil Furnaces to protect the coil drain pan and ensure even airflow across the coil.  
GTL5-SK2-1 Line Set Stub Kit is required for installation to make connections to the GTC Compressor Section.

## Correction Factors at Increased Water Flows

Rated Flow Plus	Cooling		Heating	
	BtuH	Watts	BtuH	Watts
2 GPM	1.005	0.988	1.006	1.002
3 GPM	1.007	0.984	1.009	1.003
4 GPM	1.008	0.979	1.011	1.003

## Loop Pump Modules and Pump Outputs for Ground Loop Installations ①

Pump Models	No. of Pumps	WATER FLOW RATE REQUIRED IN GPM				
		7	9	12	15	16
DORFC-1	1	28.5	27.5	25	22.5	22
DORFC-2	2	57	55	50	45	44

① Pump output (feet of head) @ GPM at top of column.

## Antifreeze Percentages by Volume for Ground Loop Installations ①

Type	Minimum Temperature for Freeze Protection			
	10°F (-12.2°C)	15°F (-9.4°C)	20°F (-6.7°C)	25°F (-3.9°C)
Methanol	25%	21%	16%	10%
Ethanol ②	29%	25%	20%	14%
100% USP Food Grade Propylene Glycol	27%	24%	20%	13%

① Loop antifreeze protection must be determined based on loop design and geographic location.

② Must not be denatured with any petroleum based product.

## Refrigerant Connections (Self-Sealing Fittings)

Part Number	Description	Line Size O.D.
GTLS-SK4-1	Line Set Stub Kit with Two Pair Ends ①	3/8" & 7/8"
GTLS-SK2-1	Line Set Stub Kit with Single Pair Ends ①	3/8" & 7/8"
GTLS-03-1	3' Line Set with Fittings	3/8" & 7/8"
GTLS-15-1	15' Line Set with Fittings	3/8" & 7/8"
GTLS-25-1	25' Line Set with Fittings	3/8" & 7/8"
GTLS-35-1	35' Line Set with Fittings	3/8" & 7/8"
GTLS-50-1	50' Line Set with Fittings	3/8" & 7/8"

① One pair consists of one each of 3/8" liquid and 7/8" vapor self-sealing fittings with short section of tube with 90° bend and each has 1/4" service port.



GTLS-SK2-1 (Shown)

## Horizontal Drain Pan Kit

Part Number	Description
GTHZ1	Horizontal Drain Pan Kit for GTA "A-Coil" Sections

## Remote Condenser Cover

Part Number	Description
GTLID	Top Cover for GTC Condensing Sections when Installed as Split-System

## Side Filter Rack – For Upflow Installations

Part Number	Description
FR23	Filter Rack 16x25x1 with 1" MERV 2 Aluminum Mesh Washable Filter

## Coil Spacers for GTADP Fossil Fuel Coils

Part Number	Description
CSADP2220	Fits Bard Oil Furnaces FLF/FLR075, 085, 100, 110 Models
CSADP2520	Fits Bard Oil Furnaces FLR130, 140 Models

## Optional Field Installed Start Kits for 1-Phase Models ①

Unit Models	Field Installed Part Number
GTC36S2-A	SK111
GTC48S2-A	SK118
GTC60S2-A	SK118

① Start capacitor and potential relay start kit can be used with all -A single phase models only. Increases starting torque 9x. Do not use if CMC-15 is used.

## Optional Field Installed Start Kit for 1-Phase Models ②

Unit Models	Field Installed Part Number
All 1-Phase	CMC-15

② PTCR start kit can be used with all -A single phase models. Increases starting torque 2-3x. Do not use if SK111 or SK118 is used.

## Ground Loop Accessories

Heat Pump Model	Bard Part Number	Required Quantity	Description
<b>NOTE: Order 1 loop flow center based on required GPM for heat pump and feet of head required for loop:</b>			
All	DORFC-1	1	Loop Flow Center with Cabinet, 230V-60Hz-1Ph, 1 pump, 22 Ft. Hd. @ 16 GPM, double o-ring fittings
All	DORFC-2	1	Loop Flow Center with Cabinet, 230V-60Hz-1Ph, 2 pump, 44 Ft. Hd. @ 16 GPM, double o-ring fittings
All	DORGPT-1	1	Geo-Prime non-pressurized tank with double o-ring fittings; designed for use with DORFC Loop Flow Centers to create a non-pressurized flow center system.
All	DORLFCK-1	1	Loop Flow Center Kit containing: (2) 1" barbed 90° double o-ring elbows with 1/4" FPT ports and 8603-026 pressure/temperature test plugs (for heat pump connection). See DORB1-90-4HC for reference (2) 1" barbed straight double o-ring fittings (for loop flow center connection on heat pump side) See DORB1-S-4HC for reference (1) 12' section of 1" ID 150 PSI hose (8) 1" SS hose clamps
<b>NOTE: Order 1 of the following for loop-side connections to loop flow center:</b>			
All	DORB1-S-4HC	1	(2) 1" barbed straight double o-ring fittings with (4) 1" SS hose clamps
All	DORF125-S	1	(2) 1.25" fusion straight double o-ring fittings
<b>Additional accessory items available:</b>			
	HK1-25	Each	(1) 25' section of 1" ID 150 PSI hose



**DORFC-2**  
(Shown)



**DORGPT-1**



**Elbow, 1" Hose Barb X Double O-ring with 1/4" Port and Pressure/Temperature Test Plugs**  
**DORB1-90-4HC**



**1" Hose Barb X Double O-ring**  
**DORB1-S-4HC**



**1-1/4" Socket Fusion X Double O-ring**  
**DORF125-S**

## Ground Loop Service Accessories

Heat Pump Model	Bard Part Number	Required Quantity	Description
	DORCL1-90	Each	(2) 90° double o-ring quick-connect cam-lever male fittings for flush attachment to loop flow center
	CLB1-S	Each	(2) 1" straight barbed quick-connect cam-lever female fittings to connect to DORCL1-90 fittings above
	GGK-1	Each	(1) Geo-Gooser w/shut-off valve, 0-100 PSI gauge, garden hose connection, P/T fitting 1/8" probe
	DORGHMT	Each	(1) Double o-ring x male garden hose adapter fitting for loop flow center (to burp/boost loop)



**1" Cam Lever Male X Double O-ring**  
**DORCL1-90**



**CLB1-S**



**Garden Hose Male X O-ring (single) Adapter**  
**DORGHMT**



**GGK-1**

## Ground Water/Water Loop Accessories

Heat Pump Model	Bard Part Number	Required Quantity	Description
All	GWK-1	1	<b>Ground Water Kit containing:</b> (2) 1" MPT 90° double o-ring elbows with 1/4" FPT ports and 8603-026 pressure/temperature test plugs (for heat pump connection). See DORMP1-90 for reference (1) 3/4" FPT 24V brass motorized slow open/close ball valve w/end switch—See 8603-033 for reference.
<b>NOTE: Order correct constant flow valve for rated GPM of heat pump, 1 required per unit</b>			
GTC36	CFV-6	1	Constant flow valve, 6 GPM, 3/4" FPT
GTC48	CFV-7	1	Constant flow valve, 7 GPM, 3/4" FPT
GTC60	CFV-9	1	Constant flow valve, 9 GPM, 3/4" FPT



**Elbow, 1" MPT X Double  
O-ring with 1/4" Port and Pressure/  
Temperature Test Plugs  
DORMP1-90**



**8603-033 (3/4" FPT)  
8603-038 (1" FPT)**



**8603-006**

Water Supply Valves			
8603-033	Each	3/4" FPT 24V brass slow open/close ball valve with end switch	
8603-038	Each	1" FPT 24V brass slow open/close ball valve with end switch	
8603-006	Each	1" FPT 24V PVC solenoid valve with flow control and internal manual bleed lever	

Individual Double O-Ring Fitting Packs (Qty. 2 per pack)	
DORB1-90-4HC	(2) 1" barbed 90° double o-ring elbows with 1/4" FPT ports, 8603-026 pressure/temperature test plugs, and (4) SS 1" hose clamps
DORB1-S-4HC	(2) 1" barbed straight double o-ring fittings with (4) 1" SS hose clamps
DORMP1-90	(2) 1" MPT 90° double o-ring elbows with 1/4" FPT ports and 8603-026 pressure/temperature test plugs
DORMP1-S	(2) 1" MPT straight double o-ring fittings
DORFP1-S	(2) 1" FPT straight double o-ring fittings
DORS1-S	(2) 1" copper sweat straight double o-ring fittings with 1/4" FPT ports and 8603-026 pressure/temperature test plugs



**1" MPT X Double O-ring  
DORMP1-S**



**1" FPT X Double O-ring  
DORFP1-S**



**1" Copper Sweat X Double O-ring with 1/4"  
FPT Port & Pressure/Temperature Test Plugs  
DORS1-S**

## Ground Water/Water Loop Service Accessories

All	8603-017	Each	Flow Meter, 1-17 GPM, 1" FPT
All	8603-026	Each	1/4" pressure/temperature test plug
All	8603-027	Each	1/4" FPT gauge adapter w/ 1/8" heavy duty probe
All	8603-028	Each	1/4" MPT 0-100 PSI gauge
All	8603-029	Each	Pocket thermometer, 1/8" probe, 0 to +220F



**8603-017**



**8603-026**



**8603-027**



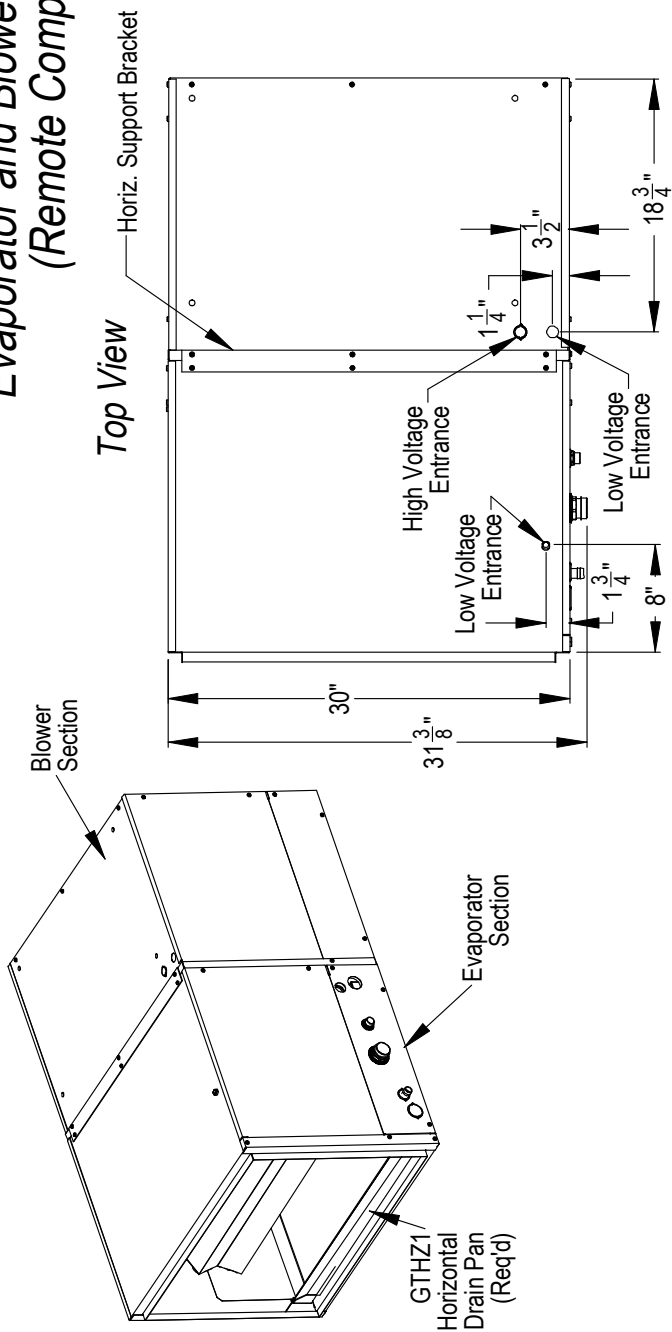
**8603-028**



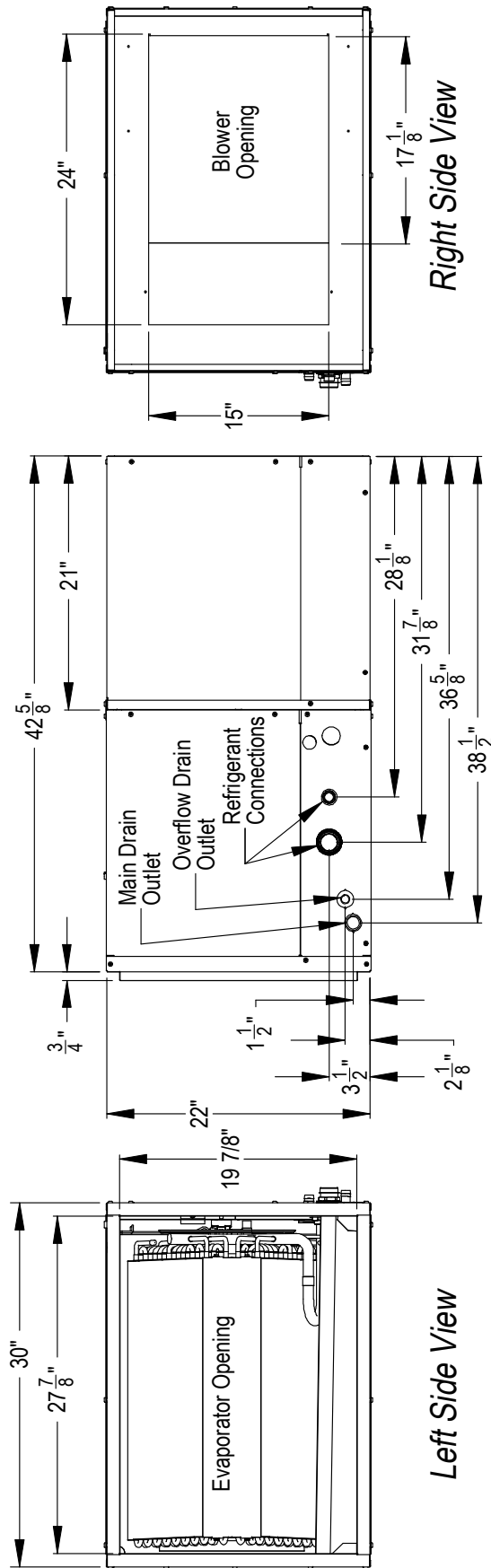
**8603-029**



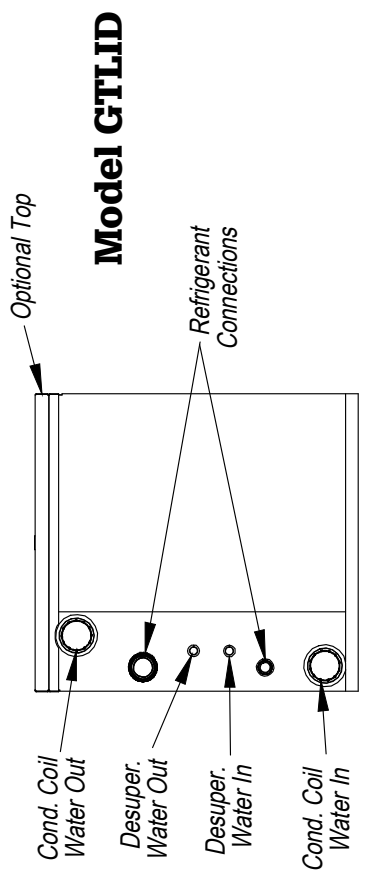
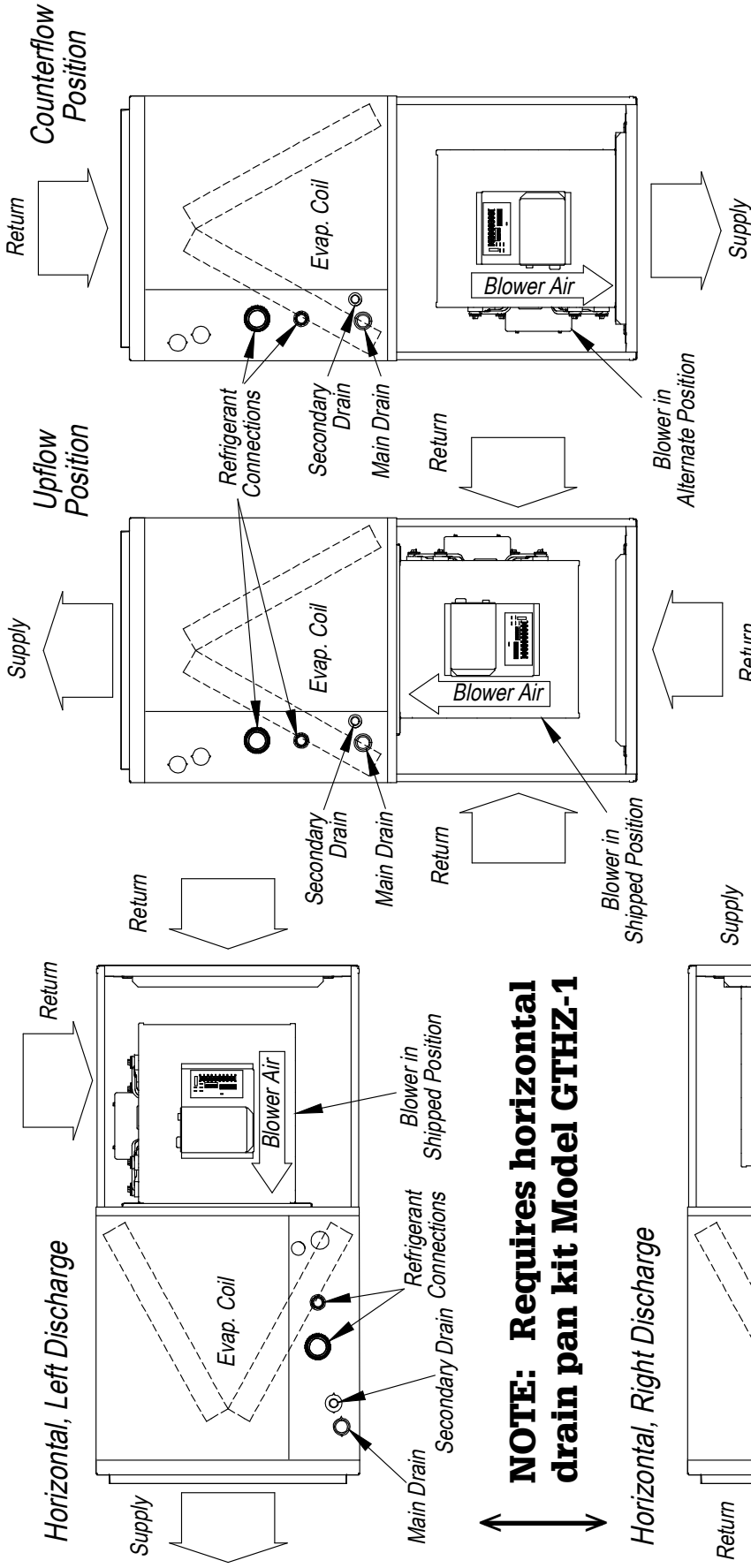
*Evaporator and Blower in Horizontal Position  
(Remote Compressor Section)*



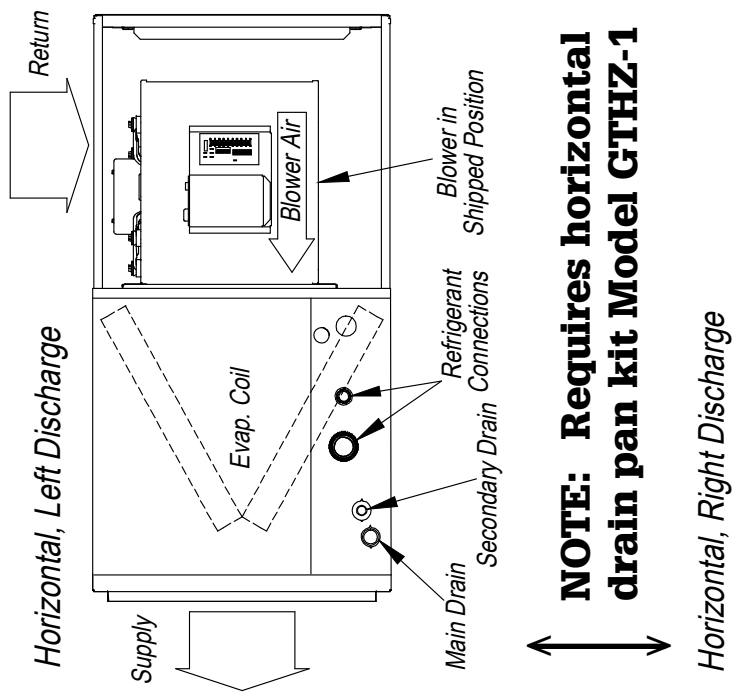
**NOTE:**  
**Requires**  
**horizontal**  
**drain pan kit**  
**Model GTHZ-1**



MIS-2824 A

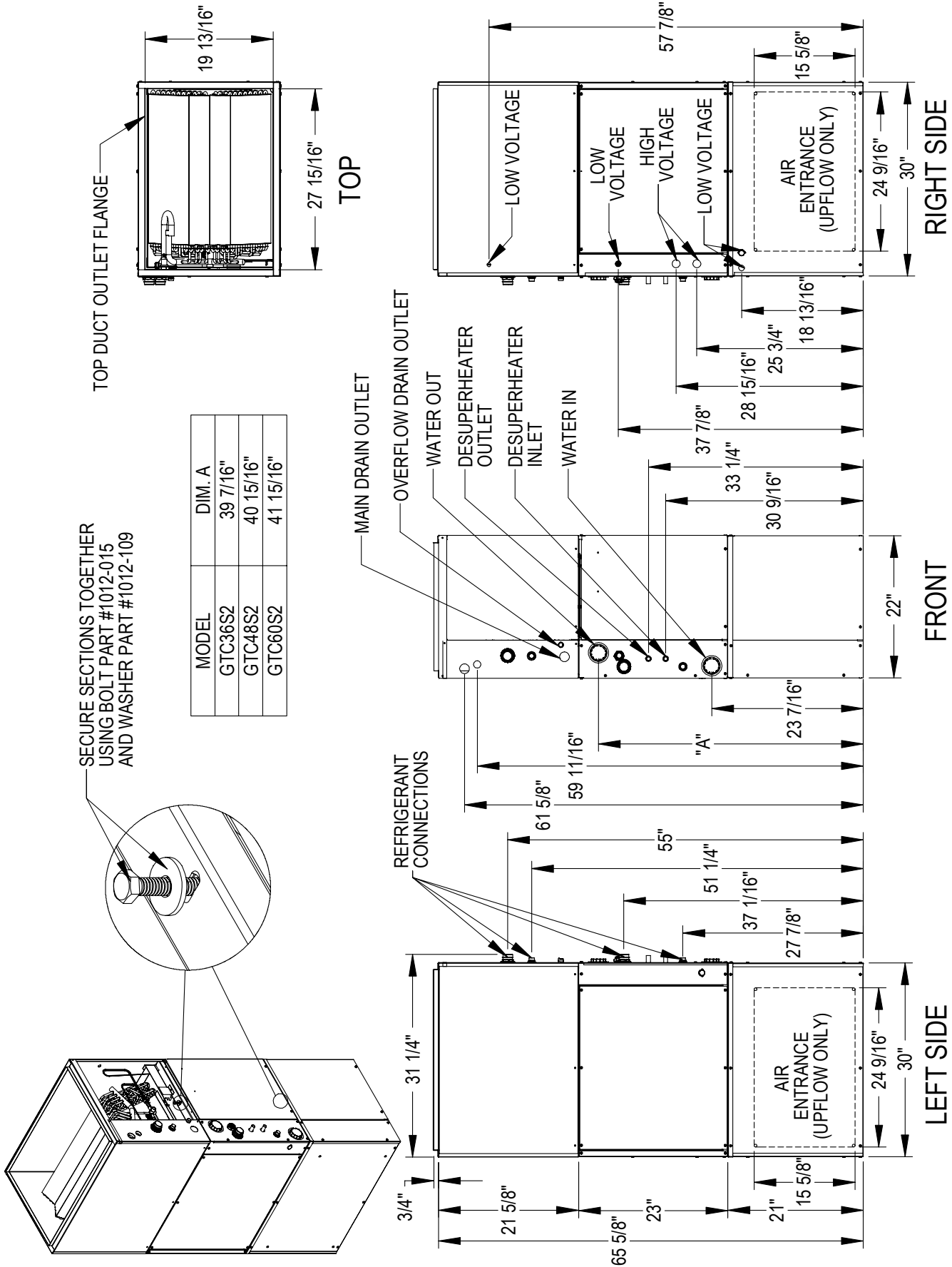


MIS-2826

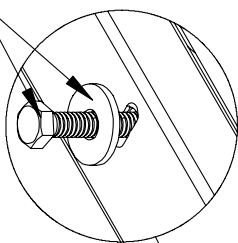


**NOTE: Requires horizontal drain pan kit Model GTHZ-1**

<b>Air Filter Required on Return Air Side for All Installations</b>
Upflow installations can use (1) FR23 (16x25x1) or field supplied equivalent on either side of the blower section. Use of (2) on both sides is optional.
Bottom return for upflow and top return for downflow must be field supplied.
For horizontal attic or crawl space installations filter arrangement must be field supplied & should be located in readily accessible location for the user.
See additional information on Pages 13 & 14.

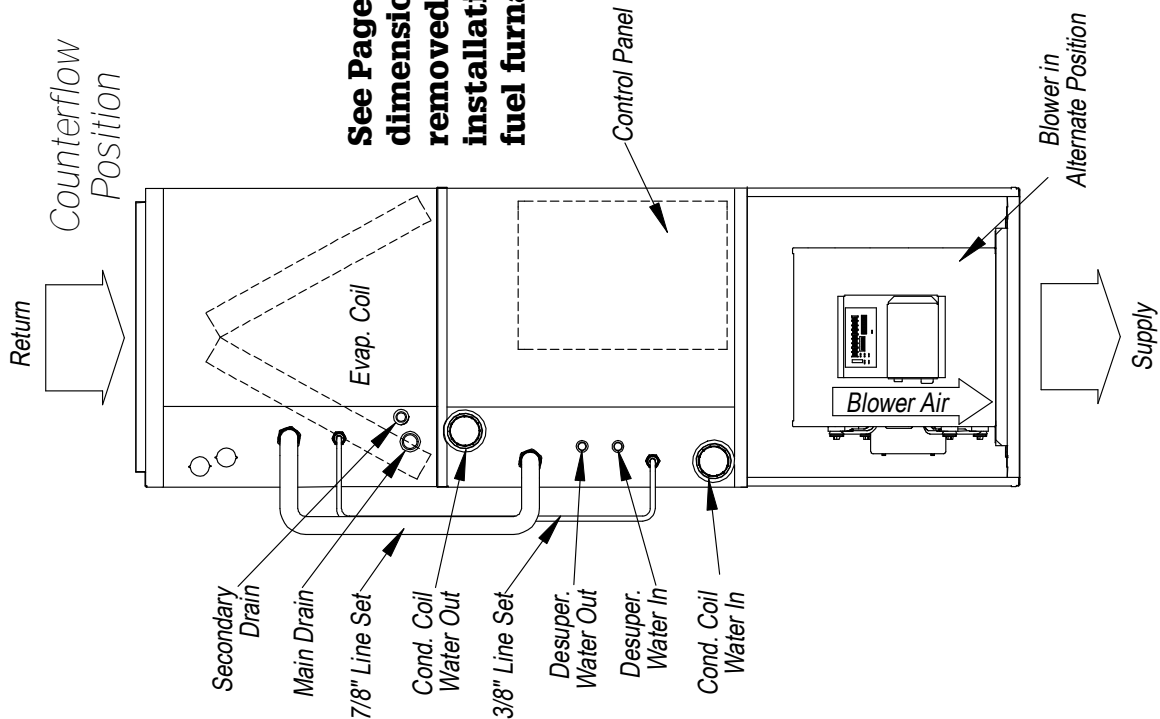


SECURE SECTIONS TOGETHER USING BOLT PART #1012-015 AND WASHER PART #1012-109

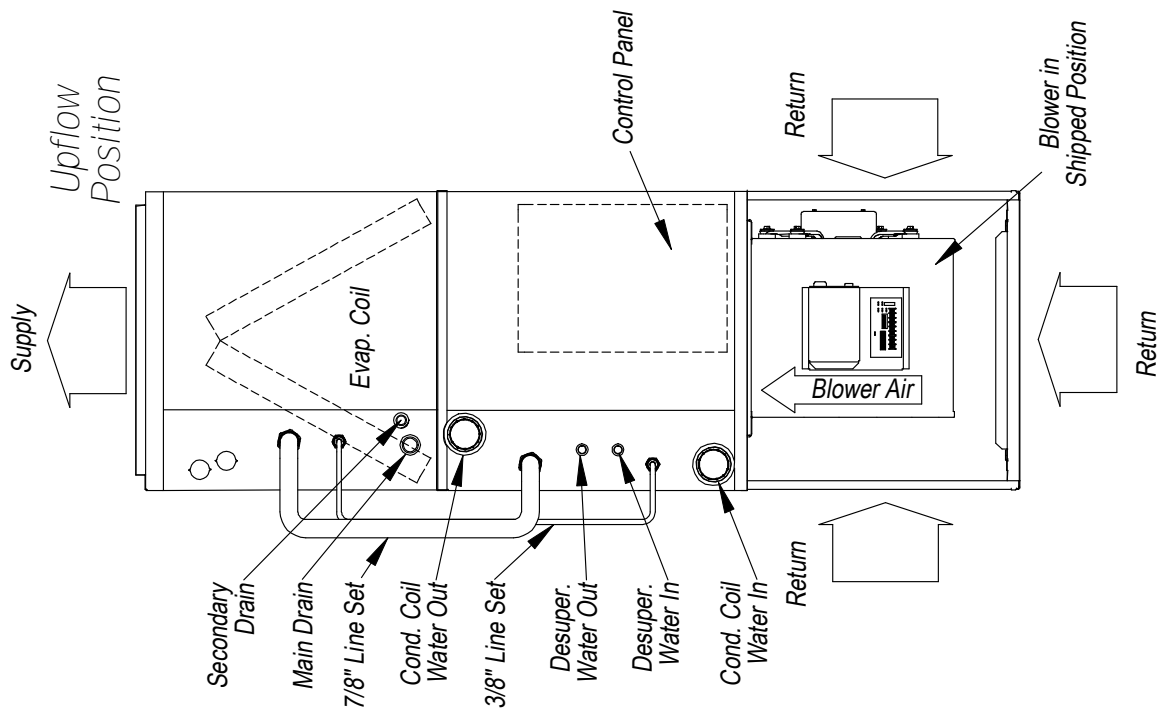


MODEL	DIM. A
GTC36S2	39 7/16"
GTC48S2	40 15/16"
GTC60S2	41 15/16"

MIS-2821 B



**NOTE:**  
 See Page 20 for physical dimensions of GTA coil if removed from casing for installation on a fossil-fuel furnace.



**Air Filter Required on Return Air Side for All Installations**  
 Upflow installations can use (1) FR23 (16x25x1) or field supplied equivalent on either side of the blower section. Use of (2) on both sides is optional.  
 Bottom return for upflow and top return for downflow must be field supplied.  
 For horizontal attic or crawl space installations filter arrangement must be field supplied & should be located in readily accessible location for the user.  
 See additional information on Pages 13 & 14.

## Filter Application Table

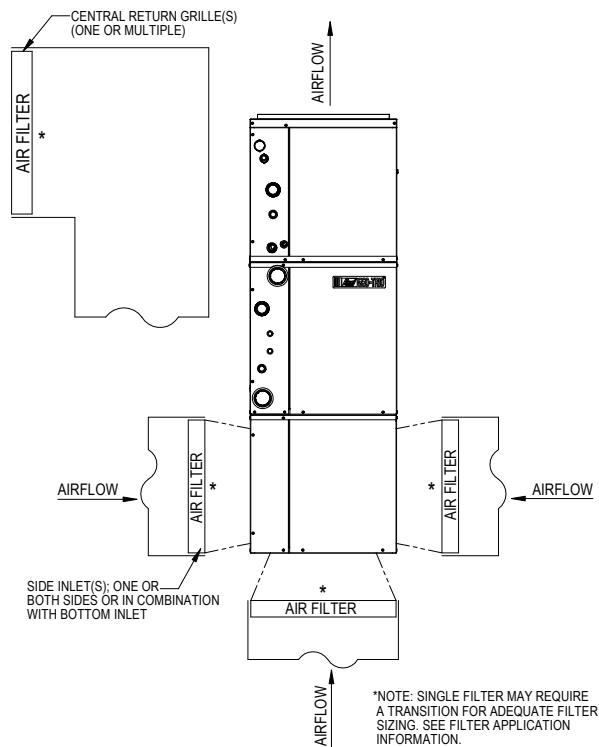
Many standard size filters are represented below since there can be a wide variety of possibilities depending upon application position of the heat pump system and the return air duct installation.

Filter Nominal Size	Surface Area FT <sup>2</sup>	Filter Type	Airflow CFM Capability @ 300 FPM Velocity	Airflow CFM Capability @ 500 FPM Velocity	Airflow CFM Capability @ 625 FPM Velocity
10" X 20" X 1"	1.39	1" Fiberglass Disposable	415	Not Recommended	Not Recommended
12" X 20" X 1"	1.67		500		
14" X 20" X 1"	1.94		580		
14" X 25" X 1"	2.43		730		
16" X 20" X 1"	2.22		670		
16" X 25" X 1"	2.78		840		
20" X 20" X 1"	2.78		840		
20" X 25" X 1"	3.47		1050		
24" X 24" X 1"	4.00		1200		
10" X 20" X 2"	1.39	2" Std. Fiberglass Disposable	415	700	Not Recommended
12" X 24" X 2"	2.00		600	1000	
14" X 20" X 2"	1.94		580	975	
14" X 25" X 2"	2.43		730	1215	
16" X 20" X 2"	2.22		670	1120	
16" X 25" X 2"	2.78		840	1400	
20" X 20" X 2"	2.78		840	1400	
20" X 25" X 2"	3.47		1050	1750	
24" X 24" X 2"	4.00		1200	2000	
10" X 20" X 1"	1.39	1" Pleated Filter	425	700	Not Recommended
12" X 24" X 1"	2.00		600	1000	
14" X 20" X 1"	1.94		590	980	
14" X 25" X 1"	2.43		730	1215	
16" X 20" X 1"	2.22		670	1115	
16" X 25" X 1"	2.78		840	1400	
20" X 20" X 1"	2.78		840	1400	
20" X 25" X 1"	3.47		1050	1740	
24" X 24" X 1"	4.00		1200	2000	
10" X 20" X 2"	1.39	2" Pleated Filter	425	700	870
12" X 24" X 2"	2.00		600	1000	1250
14" X 20" X 2"	1.94		590	980	1215
14" X 25" X 2"	2.43		730	1215	1520
16" X 20" X 2"	2.22		670	1115	1400
16" X 25" X 2"	2.78		840	1400	1740
20" X 20" X 2"	2.78		840	1400	1740
20" X 25" X 2"	3.47		1050	1740	2170
24" X 24" X 2"	4.00		1200	2000	2500
12" X 24" X 4"	2	4" Pleated Filter	600	1000	1250
16" X 20" X 4"	2.22		670	1115	1400
20" X 20" X 4"	2.78		840	1400	1740
20" X 25" X 4"	3.47		1050	1740	2170
24" X 24" X 4"	4		1200	2000	2500

**NOTE: FR23 16x25x1 side filter rack has a washable multi-layer aluminum mesh filter that is rated at 650 FPM maximum.**

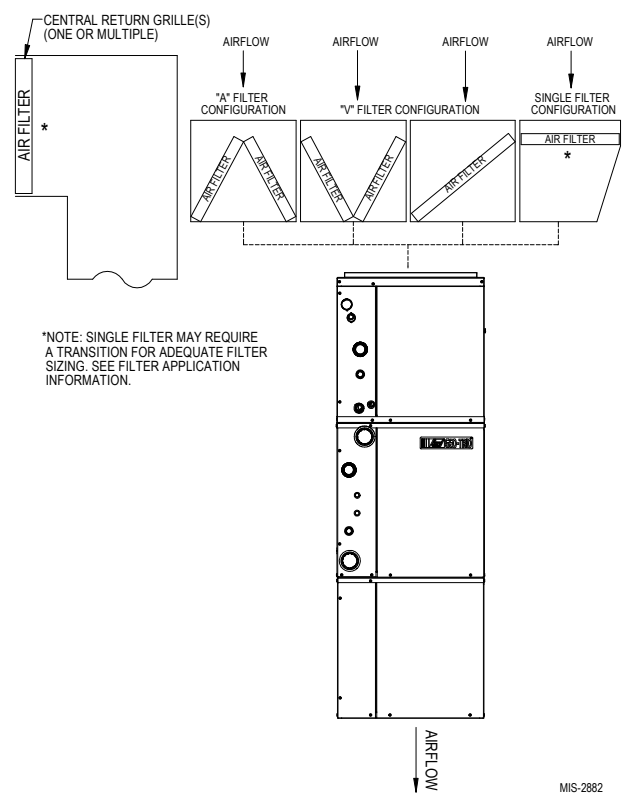
# Filter Application for All Installation Positions

## UPFLOW



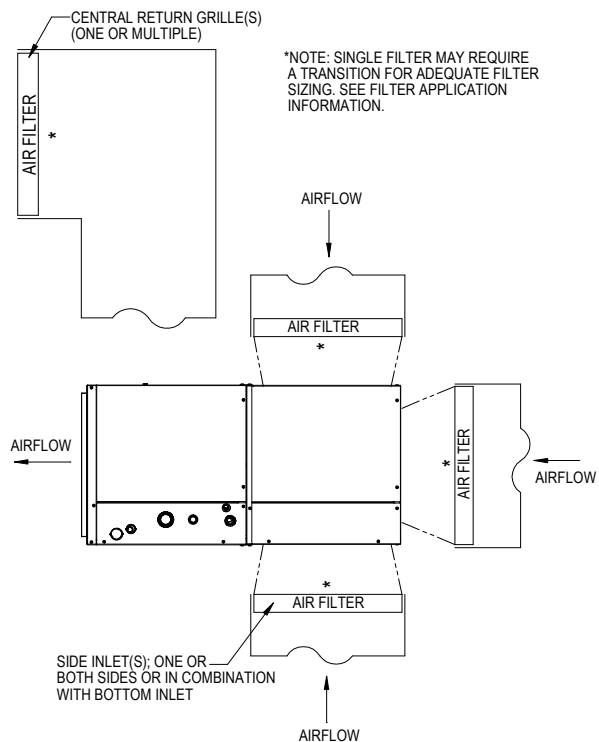
MIS-2881

## COUNTERFLOW



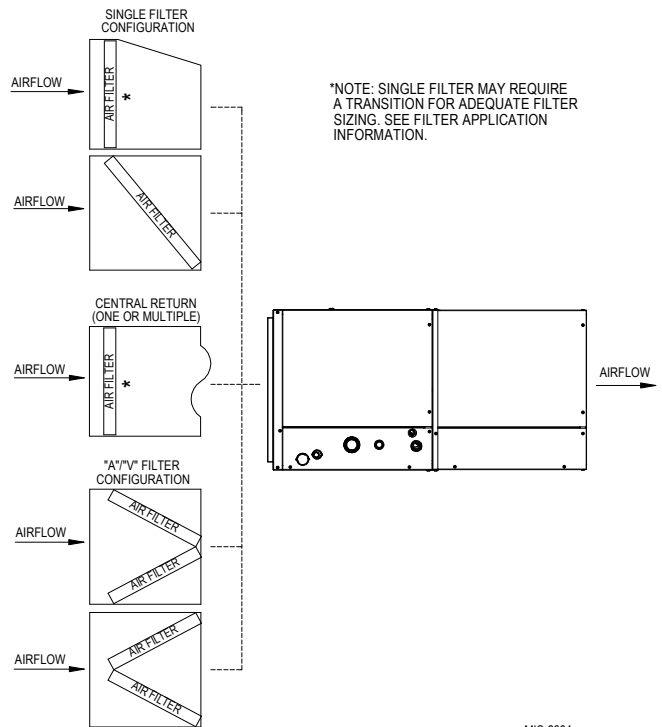
MIS-2882

## HORIZONTAL LEFT DISCHARGE



MIS-2883

## HORIZONTAL FRONT DISCHARGE



MIS-2884

**FILTERS SHOULD ALWAYS BE APPLIED IN A MANNER THAT MAKES THEM EASY TO ACCESS & CHANGE.**

## GTC36S2 Matched with GTA3600UD1-A Coil

Full Load Capacities based upon rated flow of 8 GPM of 15% methanol/mass at 1200 CFM airflow.

### COOLING FULL LOAD

Entering Fluid Temp. (°F)	Entering Air Temp. (°F)	Total Capacity (MBtuH)	Sensible Capacity (MBtuH)	Sensible to Total Ratio	Power Input (KW)	Heat of Rejection (MBtuH)	EER
50°	70° DB 59° WB	40.0	28.9	0.72	1.50	45.1	26.6
60°		38.1	28.1	0.74	1.74	44.0	21.8
70°		36.2	27.4	0.76	1.99	43.0	18.2
80°		34.3	26.6	0.78	2.23	41.9	15.4
90°		32.4	25.9	0.80	2.47	40.8	13.1
100°		30.5	25.1	0.82	2.72	39.8	11.2
110°		28.6	24.3	0.85	2.96	38.7	9.7
50°	75° DB 63° WB	43.0	30.1	0.70	1.51	48.2	28.4
60°		41.0	29.3	0.72	1.76	47.0	23.2
70°		38.9	28.5	0.73	2.01	45.8	19.3
80°		36.9	27.7	0.75	2.26	44.6	16.3
90°		34.9	26.9	0.77	2.51	43.4	13.9
100°		32.8	26.1	0.80	2.76	42.2	11.9
110°		30.8	25.3	0.82	3.01	41.1	10.2
50°	80° DB 67° WB	46.2	31.2	0.68	1.54	51.4	30.0
60°		44.0	30.4	0.69	1.79	50.1	24.6
70°		41.8	29.6	0.71	2.04	48.8	20.5
80°		39.6	28.8	0.73	2.29	47.4	17.3
90°		37.4	27.9	0.75	2.54	46.1	14.7
100°		35.2	27.1	0.77	2.79	44.8	12.6
110°		33.0	26.3	0.80	3.04	43.4	10.9
50°	85° DB 71° WB	49.5	32.3	0.65	1.56	54.8	31.7
60°		47.1	31.5	0.67	1.82	53.3	26.0
70°		44.8	30.6	0.68	2.07	51.9	21.6
80°		42.5	29.8	0.70	2.32	50.4	18.3
90°		40.1	28.9	0.72	2.58	48.9	15.6
100°		37.8	28.1	0.74	2.83	47.4	13.3
110°		35.4	27.2	0.77	3.08	45.9	11.5

### HEATING FULL LOAD

Entering Fluid Temp. (°F)	Entering Air Temp. (°F)	Total Capacity (MBtuH)	Leaving Air Temp. (°F)	Power Input (KW)	Heat of Absorption (MBtuH)	COP
25°	65°	23.7	83.3	1.92	17.0	3.7
30°		26.3	85.3	1.98	19.3	3.9
40°		31.4	89.3	2.12	24.0	4.3
50°		36.6	93.2	2.26	28.7	4.8
60°		41.8	97.2	2.39	33.4	5.1
70°		46.9	101.2	2.53	38.1	5.4
80°		52.1	105.2	2.67	42.8	5.8
25°		70°	23.2	87.9	1.97	16.5
30°	25.7		89.8	2.04	18.7	3.7
40°	30.7		93.7	2.18	23.3	4.1
50°	35.8		97.6	2.32	27.9	4.5
60°	40.8		101.5	2.46	32.4	4.8
70°	45.9		105.4	2.60	37.0	5.2
80°	50.9		109.3	2.74	41.6	5.5
25°	75°		23.4	93.1	2.21	16.0
30°		26.0	95.0	2.29	18.2	3.3
40°		31.1	99.0	2.44	22.6	3.7
50°		36.2	102.9	2.60	27.0	4.1
60°		41.3	106.8	2.76	31.5	4.4
70°		46.4	110.8	2.92	35.9	4.7
80°		51.5	114.7	3.07	40.3	4.9

Part Load Capacities based upon rated flow of 8 GPM of 15% methanol/mass at 850 CFM airflow.

### COOLING PART LOAD

Entering Fluid Temp. (°F)	Entering Air Temp. (°F)	Total Capacity (MBtuH)	Sensible Capacity (MBtuH)	Sensible to Total Ratio	Power Input (KW)	Heat of Rejection (MBtuH)	EER
50°	70° DB 59° WB	26.9	22.0	0.82	0.73	29.4	37.0
60°		25.1	20.8	0.83	0.93	28.3	27.1
70°		23.3	19.6	0.84	1.12	27.1	20.7
80°		21.4	18.4	0.86	1.32	26.0	16.2
90°		19.6	17.2	0.88	1.52	24.8	12.9
100°		17.8	16.0	0.90	1.72	23.7	10.3
110°		16.0	14.8	0.93	1.92	22.5	8.3
50°	75° DB 63° WB	29.0	22.9	0.79	0.73	31.5	39.6
60°		27.0	21.6	0.80	0.94	30.2	28.9
70°		25.0	20.4	0.81	1.14	28.9	22.0
80°		23.1	19.2	0.83	1.34	27.7	17.2
90°		21.1	17.9	0.85	1.55	26.4	13.6
100°		19.1	16.7	0.87	1.75	25.1	10.9
110°		17.2	15.4	0.90	1.95	23.9	8.8
50°	80° DB 67° WB	31.1	23.7	0.75	0.75	33.6	31.1
60°		29.0	22.5	0.77	0.95	32.2	27.2
70°		26.9	21.2	0.79	1.15	30.8	23.3
80°		24.8	19.9	0.81	1.36	29.4	19.4
90°		22.7	18.6	0.82	1.56	28.0	15.5
100°		20.6	17.3	0.84	1.77	26.6	11.6
110°		18.4	16.0	0.86	1.97	25.2	7.7
50°	85° DB 71° WB	33.3	24.6	0.74	0.76	35.9	44.0
60°		31.1	23.2	0.75	0.96	34.4	32.2
70°		28.8	21.9	0.76	1.17	32.8	24.6
80°		26.6	20.6	0.77	1.38	31.3	19.3
90°		24.3	19.2	0.79	1.59	29.7	15.3
100°		22.0	17.9	0.81	1.79	28.1	12.3
110°		19.8	16.6	0.84	2.00	26.6	9.9

### HEATING PART LOAD

Entering Fluid Temp. (°F)	Entering Air Temp. (°F)	Total Capacity (MBtuH)	Leaving Air Temp. (°F)	Power Input (KW)	Heat of Absorption (MBtuH)	COP
25°	65°	18.3	85.0	1.48	13.1	3.7
30°		20.0	86.8	1.49	14.8	3.9
40°		23.4	90.4	1.52	18.0	4.5
50°		26.7	94.1	1.55	21.3	5.1
60°		30.1	97.7	1.57	24.6	5.6
70°		33.4	101.4	1.60	27.9	6.1
80°		36.8	105.0	1.63	31.1	6.6
25°		70°	17.9	89.5	1.52	12.7
30°	19.6		91.3	1.53	14.3	3.7
40°	22.8		94.9	1.56	17.5	4.3
50°	26.1		98.4	1.59	20.7	4.8
60°	29.4		102.0	1.62	23.9	5.3
70°	32.7		105.6	1.64	27.0	5.8
80°	35.9		109.1	1.67	30.2	6.3
25°	75°		18.1	94.7	1.70	12.4
30°		19.8	96.5	1.72	13.9	3.4
40°		23.1	100.1	1.75	17.0	3.9
50°		26.4	103.8	1.78	20.1	4.3
60°		29.7	107.4	1.81	23.2	4.8
70°		33.0	111.0	1.85	26.2	5.2
80°		36.3	114.6	1.88	29.3	5.7

# GTC36S2 Matched with GTA3600UD1-A Coil

Full Load Capacities based upon rated flow of 6 GPM water at 1200 CFM airflow.

## COOLING FULL LOAD

Entering Fluid Temp. (°F)	Entering Air Temp. (°F)	Total Capacity (MBtuH)	Sensible Capacity (MBtuH)	Sensible to Total Ratio	Power Input (KW)	Heat of Rejection (MBtuH)	EER
40°	70° DB 59° WB	35.8	25.7	0.72	1.56	41.1	23.0
50°		35.8	26.2	0.73	1.71	41.6	20.9
60°		35.7	26.7	0.75	1.86	42.1	19.2
70°		35.7	27.1	0.76	2.01	42.6	17.7
80°		35.7	26.7	0.75	1.86	42.1	19.2
90°		35.8	26.2	0.73	1.71	41.6	20.9
100°		35.8	25.7	0.72	1.56	41.1	23.0
40°	75° DB 63° WB	38.5	26.8	0.70	1.58	43.9	24.4
50°		38.5	27.3	0.76	1.73	44.4	22.2
60°		38.4	27.8	0.75	1.88	44.8	20.4
70°		38.4	28.2	0.74	2.04	45.3	18.8
80°		38.4	27.8	0.72	1.88	44.8	20.4
90°		38.5	27.3	0.71	1.73	44.4	22.2
100°		38.5	26.8	0.70	1.58	43.9	24.4
40°	80° DB 67° WB	41.3	27.8	0.75	1.60	46.8	25.9
50°		41.3	28.3	0.74	1.75	49.2	23.6
60°		41.2	28.8	0.72	1.91	48.7	21.6
70°		41.2	29.3	0.71	2.07	48.3	19.9
80°		41.2	28.8	0.70	1.91	47.8	21.6
90°		41.3	28.3	0.69	1.75	47.3	23.6
100°		41.3	27.8	0.67	1.60	46.8	25.9
40°	85° DB 71° WB	44.3	28.8	0.65	1.62	49.8	27.4
50°		44.3	29.3	0.66	1.78	50.3	24.9
60°		44.2	29.8	0.67	1.94	50.8	22.8
70°		44.2	30.3	0.69	2.10	51.3	21.1
80°		44.2	29.8	0.67	1.94	50.8	22.8
90°		44.3	29.3	0.66	1.78	50.3	24.9
100°		44.3	28.8	0.65	1.62	49.8	27.4

## HEATING FULL LOAD

Entering Fluid Temp. (°F)	Entering Air Temp. (°F)	Total Capacity (MBtuH)	Leaving Air Temp. (°F)	Power Input (KW)	Heat of Absorption (MBtuH)	COP	
40°	65°	28.2	86.8	1.96	21.5	4.2	
45°		31.1	89.0	2.04	24.1	4.5	
50°		34.0	91.2	2.13	26.7	4.7	
60°		39.7	95.7	2.31	31.8	5.0	
70°		45.5	100.1	2.49	37.0	5.4	
80°		51.2	104.5	2.66	42.2	5.6	
90°		57.0	109.0	2.84	47.3	5.9	
40°		70°	27.6	91.3	2.01	20.7	4.0
45°			30.4	93.4	2.10	23.2	4.2
50°	33.2		95.6	2.19	25.7	4.4	
60°	38.8		100.0	2.37	30.7	4.8	
70°	44.5		104.3	2.55	35.7	5.1	
80°	50.1		108.6	2.73	40.8	5.4	
90°	55.7		113.0	2.91	45.8	5.8	
40°	75°		27.9	96.5	2.26	20.2	3.6
45°			30.7	98.7	2.36	22.7	3.8
50°		33.6	100.9	2.46	25.2	4.0	
60°		39.3	105.3	2.66	30.2	4.3	
70°		44.9	109.7	2.87	35.2	4.6	
80°		50.6	114.1	3.07	40.2	4.8	
90°		56.3	118.5	3.27	45.2	5.0	

Part Load Capacities based upon rated flow of 6 GPM water at 850 CFM airflow.

## COOLING PART LOAD

Entering Fluid Temp. (°F)	Entering Air Temp. (°F)	Total Capacity (MBtuH)	Sensible Capacity (MBtuH)	Sensible to Total Ratio	Power Input (KW)	Heat of Rejection (MBtuH)	EER
40°	70° DB 59° WB	28.7	20.5	0.72	0.73	31.2	39.3
50°		27.6	20.1	0.73	0.86	30.6	32.2
60°		26.6	19.6	0.74	0.99	30.0	26.9
70°		25.5	19.1	0.75	1.12	29.3	22.9
80°		24.5	18.7	0.76	1.25	28.7	19.7
90°		23.4	18.2	0.78	1.37	28.1	17.1
100°		22.4	17.7	0.79	1.50	27.5	14.9
40°	75° DB 63° WB	30.8	21.4	0.69	0.74	33.4	41.7
50°		29.7	20.9	0.70	0.87	32.7	34.2
60°		28.6	20.4	0.71	1.00	32.0	28.6
70°		27.5	19.9	0.73	1.13	31.3	24.3
80°		26.3	19.4	0.74	1.26	30.6	20.9
90°		25.2	18.9	0.75	1.39	30.0	18.1
100°		24.1	18.5	0.77	1.52	29.3	15.8
40°	80° DB 67° WB	33.1	22.2	0.67	0.75	35.7	44.2
50°		31.9	21.7	0.68	0.88	34.9	36.2
60°		30.7	21.2	0.69	1.01	34.2	28.7
70°		29.5	20.7	0.70	1.15	33.4	25.7
80°		28.3	20.2	0.71	1.28	32.6	22.7
90°		27.1	19.7	0.73	1.41	31.9	19.8
100°		25.9	19.2	0.74	1.54	31.1	16.8
40°	85° DB 71° WB	35.5	23.0	0.65	0.76	38.1	46.7
50°		34.2	22.4	0.66	0.89	37.3	38.2
60°		32.9	21.9	0.67	1.03	36.4	32.0
70°		31.6	21.4	0.68	1.16	35.6	27.2
80°		30.3	20.9	0.69	1.30	34.7	23.4
90°		29.0	20.4	0.70	1.43	33.9	20.3
100°		27.7	19.8	0.72	1.56	33.1	17.7

## HEATING PART LOAD

Entering Fluid Temp. (°F)	Entering Air Temp. (°F)	Total Capacity (MBtuH)	Leaving Air Temp. (°F)	Power Input (KW)	Heat of Absorption (MBtuH)	COP	
40°	65°	21.0	87.9	1.43	16.1	4.3	
45°		22.9	89.9	1.46	17.9	4.6	
50°		24.8	92.0	1.48	19.7	4.9	
60°		28.5	96.1	1.53	23.3	5.5	
70°		32.3	100.2	1.58	26.9	6.0	
80°		36.1	104.3	1.62	30.5	6.5	
90°		39.9	108.4	1.67	34.2	7.0	
40°		70°	20.5	92.3	1.47	15.5	4.1
45°			22.4	94.4	1.50	17.2	4.4
50°	24.2		96.4	1.52	19.0	4.7	
60°	27.9		100.4	1.57	22.5	4.9	
70°	31.6		104.4	1.62	26.1	5.2	
80°	35.3		108.4	1.67	29.6	5.5	
90°	39.0		112.4	1.71	33.1	5.8	
40°	75°		20.7	97.6	1.65	15.1	3.7
45°			22.6	99.6	1.68	16.9	3.9
50°		24.5	101.7	1.71	18.6	4.2	
60°		28.2	105.7	1.76	22.2	4.7	
70°		31.9	109.8	1.82	25.7	5.2	
80°		35.7	113.8	1.87	29.3	5.6	
90°		39.4	117.9	1.93	32.8	6.0	



## GTC48S2 Matched with GTA4860UD1-A Coil

Full Load Capacities based upon rated flow of 12 GPM of 15% methanol/mass at 1500 CFM airflow.

### COOLING FULL LOAD

Entering Fluid Temp. (°F)	Entering Air Temp. (°F)	Total Capacity (MBtuH)	Sensible Capacity (MBtuH)	Sensible to Total Ratio	Power Input (KW)	Heat of Rejection (MBtuH)	EER
50°	70° DB 59° WB	51.4	36.1	0.70	2.42	59.7	21.3
60°		49.0	35.1	0.71	2.71	58.3	18.1
70°		46.7	34.0	0.73	3.01	56.9	15.5
80°		44.3	33.0	0.74	3.31	55.6	13.4
90°		41.9	31.9	0.76	3.61	54.2	11.6
100°		39.5	30.9	0.78	3.90	52.8	10.1
110°		37.1	29.8	0.80	4.20	51.5	8.8
50°	75° DB 63° WB	55.3	37.6	0.68	2.44	63.6	22.7
60°		52.8	36.5	0.69	2.74	62.1	19.2
70°		50.2	35.4	0.71	3.05	60.6	16.5
80°		47.6	34.3	0.72	3.35	59.1	14.2
90°		45.1	33.2	0.74	3.66	57.6	12.3
100°		42.5	32.2	0.76	3.97	56.0	10.7
110°		39.9	31.1	0.78	4.27	54.5	9.3
50°	80° DB 67° WB	59.4	39.0	0.66	2.48	67.9	23.9
60°		56.6	37.9	0.67	2.79	66.1	20.3
70°		53.9	36.8	0.68	3.09	64.4	17.4
80°		51.1	35.6	0.70	3.39	62.7	15.1
90°		48.4	34.5	0.71	3.70	61.0	13.1
100°		45.6	33.4	0.73	4.00	59.3	11.4
110°		42.9	32.2	0.75	4.31	57.6	10.0
50°	85° DB 71° WB	63.7	40.4	0.63	2.52	72.2	25.3
60°		60.7	39.2	0.65	2.83	70.4	21.5
70°		57.8	38.0	0.66	3.13	68.5	18.4
80°		54.8	36.9	0.67	3.44	66.6	15.9
90°		51.9	35.7	0.69	3.75	64.7	13.8
100°		48.9	34.5	0.71	4.06	62.8	12.0
110°		46.0	33.4	0.73	4.37	60.9	10.5

### HEATING FULL LOAD

Entering Fluid Temp. (°F)	Entering Air Temp. (°F)	Total Capacity (MBtuH)	Leaving Air Temp. (°F)	Power Input (KW)	Heat of Absorption (MBtuH)	COP
25°	65°	34.1	86.1	2.93	23.8	3.4
30°		37.2	88.0	3.04	26.5	3.6
40°		43.5	91.8	3.24	32.1	3.9
50°		49.7	95.7	3.44	37.6	4.2
60°		56.0	99.5	3.64	43.2	4.5
70°		62.2	103.4	3.85	48.7	4.7
80°		68.4	107.2	4.05	54.3	5.0
25°		70°	33.4	90.6	3.01	23.1
30°	36.4		92.5	3.12	25.8	3.4
40°	42.5		96.2	3.33	31.2	3.7
50°	48.6		100.0	3.53	36.5	4.0
60°	54.7		103.8	3.74	41.9	4.3
70°	60.8		107.5	3.95	47.3	4.5
80°	66.9		111.3	4.16	52.7	4.8
25°	75°		33.7	95.8	3.38	22.4
30°		36.8	97.7	3.50	25.0	3.1
40°		43.0	101.5	3.73	30.2	3.4
50°		49.1	105.3	3.97	35.4	3.6
60°		55.3	109.1	4.20	40.7	3.8
70°		61.5	112.9	4.43	45.9	4.1
80°		67.6	116.8	4.67	51.1	4.3

Part Load Capacities based upon rated flow of 12 GPM of 15% methanol/mass at 1150 CFM airflow.

### COOLING PART LOAD

Entering Fluid Temp. (°F)	Entering Air Temp. (°F)	Total Capacity (MBtuH)	Sensible Capacity (MBtuH)	Sensible to Total Ratio	Power Input (KW)	Heat of Rejection (MBtuH)	EER
50°	70° DB 59° WB	39.1	28.3	0.72	1.35	43.7	29.0
60°		37.1	27.5	0.74	1.60	42.6	23.2
70°		35.1	26.6	0.76	1.86	41.4	18.9
80°		33.1	25.8	0.78	2.11	40.3	15.7
90°		31.1	25.0	0.80	2.37	39.2	13.1
100°		29.1	24.2	0.83	2.62	38.0	11.1
110°		27.1	23.3	0.86	2.88	36.9	9.4
50°	75° DB 63° WB	42.1	29.5	0.70	1.36	46.7	31.0
60°		39.9	28.6	0.72	1.62	45.4	24.7
70°		37.7	27.7	0.73	1.88	44.2	20.1
80°		35.6	26.9	0.76	2.14	42.9	16.6
90°		33.4	26.0	0.78	2.41	41.7	13.9
100°		31.3	25.2	0.80	2.67	40.4	11.7
110°		29.1	24.3	0.83	2.93	39.1	9.9
50°	80° DB 67° WB	45.2	30.6	0.67	1.38	49.9	27.1
60°		42.8	29.7	0.69	1.64	48.5	24.2
70°		40.5	28.8	0.71	1.91	47.0	21.3
80°		38.2	27.9	0.73	2.17	45.6	18.3
90°		35.9	27.0	0.75	2.43	44.2	15.4
100°		33.6	26.1	0.78	2.69	42.8	12.5
110°		31.3	25.2	0.80	2.95	41.4	9.6
50°	85° DB 71° WB	48.4	31.7	0.65	1.40	53.2	34.5
60°		45.9	30.7	0.67	1.67	51.6	27.5
70°		43.4	29.8	0.69	1.93	50.0	22.5
80°		41.0	28.9	0.70	2.20	48.5	18.6
90°		38.5	27.9	0.73	2.47	46.9	15.6
100°		36.0	27.0	0.75	2.73	45.3	13.2
110°		33.5	26.1	0.78	3.00	43.8	11.2

### HEATING PART LOAD

Entering Fluid Temp. (°F)	Entering Air Temp. (°F)	Total Capacity (MBtuH)	Leaving Air Temp. (°F)	Power Input (KW)	Heat of Absorption (MBtuH)	COP
25°	65°	23.8	85.5	2.17	16.1	3.2
30°		26.3	87.7	2.21	18.5	3.5
40°		31.3	92.0	2.28	23.3	4.0
50°		36.3	96.3	2.35	28.1	4.5
60°		41.4	100.6	2.43	32.9	5.0
70°		46.4	104.9	2.50	37.7	5.4
80°		51.4	109.2	2.57	42.4	5.9
25°		70°	23.3	90.0	2.23	15.7
30°	25.7		92.2	2.27	18.0	3.3
40°	30.6		96.4	2.34	22.6	3.8
50°	35.5		100.6	2.42	27.3	4.3
60°	40.4		104.8	2.49	31.9	4.7
70°	45.3		109.0	2.57	36.6	5.2
80°	50.2		113.3	2.64	41.2	5.6
25°	75°		23.5	95.3	2.51	15.2
30°		26.0	97.4	2.55	17.4	3.0
40°		31.0	101.7	2.63	22.0	3.4
50°		35.9	105.9	2.71	26.5	3.9
60°		40.9	110.2	2.80	31.0	4.3
70°		45.8	114.5	2.88	35.5	4.7
80°		50.8	118.7	2.97	40.0	5.0

# GTC48S2 Matched with GTA486UD1-A Coil

Full Load Capacities based upon rated flow of 7 GPM water at 1500 CFM airflow.

## COOLING FULL LOAD

Entering Fluid Temp. (°F)	Entering Air Temp. (°F)	Total Capacity (MBtuH)	Sensible Capacity (MBtuH)	Sensible to Total Ratio	Power Input (KW)	Heat of Rejection (MBtuH)	EER
40°	70° DB 59° WB	48.5	34.1	0.70	2.44	56.8	19.9
50°		47.7	33.7	0.71	2.63	56.7	18.2
60°		47.0	33.4	0.71	2.82	56.6	16.7
70°		46.2	33.0	0.71	3.01	56.5	15.4
80°		47.0	33.4	0.71	2.82	56.6	16.7
90°		47.7	33.7	0.71	2.63	56.7	18.2
100°		48.5	34.1	0.70	2.44	56.8	19.9
40°	75° DB 63° WB	52.2	35.5	0.68	2.47	60.6	21.1
50°		51.4	35.1	0.70	2.66	60.4	19.3
60°		50.5	34.7	0.69	2.85	60.3	17.7
70°		49.7	34.4	0.69	3.05	60.1	16.3
80°		50.5	34.7	0.69	2.85	60.3	17.7
90°		51.4	35.1	0.68	2.66	60.4	19.3
100°		52.2	35.5	0.68	2.47	60.6	21.1
40°	80° DB 67° WB	56.0	36.8	0.66	2.50	64.5	22.4
50°		55.1	36.4	0.67	2.70	63.6	20.4
60°		54.3	36.0	0.67	2.89	63.8	18.8
70°		53.4	35.7	0.67	3.09	63.9	17.3
80°		54.3	36.0	0.66	2.89	64.1	18.8
90°		55.1	36.4	0.66	2.70	64.3	20.4
100°		56.0	36.8	0.66	2.50	64.5	22.4
40°	85° DB 71° WB	60.0	38.1	0.63	2.54	68.7	23.7
50°		59.1	37.7	0.64	2.74	68.4	21.6
60°		58.2	37.3	0.64	2.93	68.2	19.8
70°		57.2	36.9	0.64	3.13	67.9	18.3
80°		58.2	37.3	0.64	2.93	68.2	19.8
90°		59.1	37.7	0.64	2.74	68.4	21.6
100°		60.0	38.1	0.63	2.54	68.7	23.7

## HEATING FULL LOAD

Entering Fluid Temp. (°F)	Entering Air Temp. (°F)	Total Capacity (MBtuH)	Leaving Air Temp. (°F)	Power Input (KW)	Heat of Absorption (MBtuH)	COP	
40°	65°	37.2	87.9	2.61	28.3	4.2	
45°		41.3	90.5	2.81	31.7	4.3	
50°		45.5	93.1	3.02	35.2	4.4	
60°		53.9	98.3	3.43	42.2	4.6	
70°		62.2	103.4	3.85	49.1	4.7	
80°		70.6	108.6	4.26	56.0	4.9	
90°		78.9	113.7	4.67	63.0	4.9	
40°		70°	36.3	92.4	2.68	27.2	4.0
45°			40.4	94.9	2.89	30.6	4.1
50°	44.5		97.5	3.10	33.9	4.2	
60°	52.7		102.5	3.52	40.6	4.4	
70°	60.8		107.6	3.95	47.4	4.5	
80°	69.0		112.6	4.37	54.1	4.7	
90°	77.2		117.6	4.80	60.8	4.8	
40°	75°		36.7	106.6	3.00	26.5	3.6
45°			40.9	110.2	3.24	29.8	3.7
50°		45.0	113.8	3.48	33.1	3.8	
60°		53.2	120.9	3.96	39.7	3.9	
70°		61.5	128.0	4.43	46.4	4.1	
80°		69.8	135.1	4.91	53.0	4.2	
90°		78.0	142.2	5.39	59.6	4.2	

Part Load Capacities based upon rated flow of 5 GPM water at 1150 CFM airflow.

## COOLING PART LOAD

Entering Fluid Temp. (°F)	Entering Air Temp. (°F)	Total Capacity (MBtuH)	Sensible Capacity (MBtuH)	Sensible to Total Ratio	Power Input (KW)	Heat of Rejection (MBtuH)	EER
40°	70° DB 59° WB	36.1	27.2	0.75	1.25	40.4	28.9
50°		35.9	27.0	0.75	1.44	40.8	24.9
60°		35.7	26.7	0.75	1.63	41.3	21.9
70°		35.5	26.5	0.75	1.82	41.7	19.5
80°		35.3	26.2	0.74	2.01	42.1	17.5
90°		35.0	25.9	0.74	2.20	42.5	15.9
100°		34.8	25.7	0.74	2.39	43.0	14.6
40°	75° DB 63° WB	38.9	28.4	0.73	1.27	43.2	30.7
50°		38.6	28.1	0.73	1.46	43.6	26.5
60°		38.4	27.8	0.72	1.65	44.0	23.2
70°		38.2	27.5	0.72	1.84	44.5	20.7
80°		37.9	27.3	0.72	2.04	44.9	18.6
90°		37.7	27.0	0.72	2.23	45.3	16.9
100°		37.4	26.7	0.71	2.42	45.7	15.5
40°	80° DB 67° WB	41.7	29.4	0.71	1.28	46.1	32.5
50°		41.5	29.2	0.70	1.48	46.5	28.1
60°		41.2	28.9	0.70	1.67	46.9	23.8
70°		41.0	28.6	0.70	1.87	47.3	21.9
80°		40.7	28.3	0.69	2.06	47.8	20.1
90°		40.5	28.0	0.69	2.26	48.2	18.2
100°		40.2	27.7	0.69	2.45	48.6	16.4
40°	85° DB 71° WB	44.7	30.5	0.68	1.30	49.2	34.4
50°		44.5	30.2	0.68	1.50	49.6	29.6
60°		44.2	29.9	0.68	1.70	50.0	26.0
70°		43.9	29.6	0.67	1.90	50.4	23.2
80°		43.6	29.3	0.67	2.09	50.8	20.8
90°		43.4	29.0	0.67	2.29	51.2	18.9
100°		43.1	28.7	0.67	2.49	51.6	17.3

## HEATING PART LOAD

Entering Fluid Temp. (°F)	Entering Air Temp. (°F)	Total Capacity (MBtuH)	Leaving Air Temp. (°F)	Power Input (KW)	Heat of Absorption (MBtuH)	COP	
40°	65°	29.2	83.0	2.13	22.0	4.0	
45°		31.7	84.6	2.16	24.3	4.3	
50°		34.2	86.1	2.19	26.7	4.6	
60°		39.1	89.1	2.25	31.4	5.1	
70°		44.0	92.2	2.32	36.1	5.6	
80°		49.0	95.2	2.38	40.9	6.0	
90°		53.9	98.3	2.44	45.6	6.5	
40°		70°	28.6	94.6	2.19	21.1	3.8
45°			31.0	96.7	2.22	23.4	4.1
50°	33.4		98.8	2.25	25.7	4.3	
60°	38.2		102.9	2.31	30.3	4.6	
70°	43.1		107.1	2.38	34.9	4.9	
80°	47.9		111.2	2.44	39.5	5.1	
90°	52.7		115.4	2.51	44.2	5.4	
40°	75°		28.9	99.9	2.45	20.5	3.4
45°			31.3	102.0	2.49	22.8	3.7
50°		33.8	104.1	2.53	25.1	3.9	
60°		38.6	108.3	2.60	29.8	4.4	
70°		43.5	112.5	2.67	34.4	4.8	
80°		48.4	116.7	2.74	39.0	5.2	
90°		53.3	120.9	2.81	43.7	5.5	

## GTC60S2 Matched with GTA4860UD1-A Coil

Full Load Capacities based upon rated flow of 15 GPM of 15% methanol/mass at 1800 CFM airflow.

### COOLING FULL LOAD

Entering Fluid Temp. (°F)	Entering Air Temp. (°F)	Total Capacity (MBtuH)	Sensible Capacity (MBtuH)	Sensible to Total Ratio	Power Input (KW)	Heat of Rejection (MBtuH)	EER
50°	70° DB 59° WB	59.7	42.8	0.72	2.79	69.2	21.4
60°		57.1	41.8	0.73	3.19	68.0	17.9
70°		54.5	40.8	0.75	3.59	66.7	15.2
80°		51.9	39.8	0.77	3.99	65.5	13.0
90°		49.2	38.8	0.79	4.39	64.2	11.2
100°		46.6	37.8	0.81	4.78	63.0	9.7
110°		44.0	36.8	0.84	5.18	61.7	8.5
50°	75° DB 63° WB	64.2	44.6	0.69	2.82	73.8	22.8
60°		61.4	43.6	0.71	3.23	72.4	19.0
70°		58.6	42.5	0.73	3.63	71.0	16.1
80°		55.8	41.5	0.74	4.04	69.6	13.8
90°		53.0	40.4	0.76	4.45	68.2	11.9
100°		50.1	39.4	0.79	4.86	66.7	10.3
110°		47.3	38.4	0.81	5.27	65.3	9.0
50°	80° DB 67° WB	68.9	46.3	0.67	2.87	78.7	24.0
60°		65.9	45.2	0.69	3.28	77.1	20.1
70°		62.9	44.1	0.70	3.68	75.5	17.1
80°		59.9	43.0	0.72	4.09	73.9	14.6
90°		56.9	42.0	0.74	4.50	72.2	12.6
100°		53.8	40.9	0.76	4.91	70.6	11.0
110°		50.8	39.8	0.78	5.32	69.0	9.6
50°	85° DB 71° WB	73.9	47.9	0.65	2.91	83.8	25.4
60°		70.7	46.8	0.66	3.32	82.0	21.3
70°		67.4	45.7	0.68	3.74	80.2	18.0
80°		64.2	44.5	0.69	4.15	78.4	15.5
90°		60.9	43.4	0.71	4.57	76.5	13.3
100°		57.7	42.3	0.73	4.98	74.7	11.6
110°		54.5	41.2	0.76	5.39	72.9	10.1

### HEATING FULL LOAD

Entering Fluid Temp. (°F)	Entering Air Temp. (°F)	Total Capacity (MBtuH)	Leaving Air Temp. (°F)	Power Input (KW)	Heat of Absorption (MBtuH)	COP
25°	65°	46.4	88.9	3.85	32.8	3.5
30°		49.6	90.5	3.95	35.7	3.7
40°		55.8	93.7	4.14	41.3	3.9
50°		62.1	96.9	4.33	46.9	4.2
60°		68.4	100.2	4.52	52.5	4.4
70°		74.6	103.4	4.72	58.1	4.6
80°		80.9	106.6	4.91	63.7	4.9
25°		70°	45.4	93.4	3.96	31.9
30°	48.5		94.9	4.05	34.6	3.5
40°	54.6		98.1	4.25	40.1	3.8
50°	60.7		101.2	4.45	45.5	4.0
60°	66.8		104.4	4.65	51.0	4.2
70°	73.0		107.5	4.84	56.4	4.4
80°	79.1		110.7	5.04	61.9	4.6
25°	75°		45.9	98.6	4.44	30.9
30°		49.0	100.2	4.55	33.6	3.2
40°		55.2	103.4	4.77	38.9	3.4
50°		61.4	106.6	5.00	44.2	3.6
60°		67.6	109.8	5.22	49.4	3.8
70°		73.8	112.9	5.44	54.7	4.0
80°		79.9	116.1	5.66	60.0	4.2

Part Load Capacities based upon rated flow of 15 GPM of 15% methanol/mass at 1300 CFM airflow.

### COOLING PART LOAD

Entering Fluid Temp. (°F)	Entering Air Temp. (°F)	Total Capacity (MBtuH)	Sensible Capacity (MBtuH)	Sensible to Total Ratio	Power Input (KW)	Heat of Rejection (MBtuH)	EER
50°	70° DB 59° WB	44.8	30.7	0.69	1.50	49.9	29.8
60°		42.6	30.1	0.71	1.84	48.8	23.2
70°		40.4	29.5	0.73	2.17	47.8	18.6
80°		38.2	28.9	0.76	2.50	46.8	15.3
90°		36.1	28.3	0.78	2.84	45.7	12.7
100°		33.9	27.7	0.82	3.17	44.7	10.7
110°		31.7	27.0	0.85	3.50	43.7	9.1
50°	75° DB 63° WB	48.1	32.0	0.66	1.51	53.3	31.8
60°		45.8	31.4	0.68	1.86	52.1	24.7
70°		43.5	30.7	0.71	2.20	51.0	19.8
80°		41.1	30.1	0.73	2.54	49.8	16.2
90°		38.8	29.4	0.76	2.88	48.6	13.5
100°		36.4	28.8	0.79	3.22	47.4	11.3
110°		34.1	28.2	0.83	3.56	46.3	9.6
50°	80° DB 67° WB	51.7	33.2	0.63	1.54	57.0	26.9
60°		49.2	32.5	0.66	1.88	55.6	23.9
70°		46.7	31.9	0.68	2.23	54.3	21.0
80°		44.2	31.2	0.71	2.57	52.9	18.0
90°		41.6	30.5	0.74	2.91	51.6	15.0
100°		39.1	29.9	0.76	3.25	50.2	12.0
110°		36.6	29.2	0.79	3.59	48.9	9.1
50°	85° DB 71° WB	55.4	34.4	0.62	1.57	60.7	35.4
60°		52.7	33.7	0.64	1.91	59.2	27.6
70°		50.0	33.0	0.66	2.26	57.7	22.1
80°		47.3	32.3	0.68	2.61	56.2	18.2
90°		44.6	31.6	0.71	2.95	54.7	15.1
100°		41.9	30.9	0.74	3.30	53.2	12.7
110°		39.2	30.2	0.77	3.65	51.7	10.8

### HEATING PART LOAD

Entering Fluid Temp. (°F)	Entering Air Temp. (°F)	Total Capacity (MBtuH)	Leaving Air Temp. (°F)	Power Input (KW)	Heat of Absorption (MBtuH)	COP
25°	65°	30.5	86.7	2.78	20.6	3.2
30°		33.1	88.6	2.83	23.1	3.4
40°		38.4	92.4	2.92	28.1	3.8
50°		43.8	96.2	3.02	33.2	4.2
60°		49.1	100.0	3.11	38.2	4.6
70°		54.4	103.7	3.21	43.2	5.0
80°		59.7	107.5	3.30	48.2	5.3
25°		70°	29.8	91.2	2.86	20.0
30°	32.4		93.1	2.91	22.5	3.3
40°	37.6		96.8	3.00	27.3	3.7
50°	42.8		100.5	3.10	32.2	4.0
60°	48.0		104.2	3.20	37.1	4.4
70°	53.2		107.9	3.29	41.9	4.7
80°	58.4		111.6	3.39	46.8	5.1
25°	75°		30.1	96.4	3.21	19.4
30°		32.7	98.3	3.26	21.8	2.9
40°		38.0	102.1	3.37	26.5	3.3
50°		43.2	105.8	3.48	31.2	3.6
60°		48.5	109.5	3.59	36.0	3.9
70°		53.8	113.3	3.70	40.7	4.3
80°		59.0	117.0	3.81	45.4	4.6

# GTC60S2 Matched with GTA4860UD1-A Coil

Full Load Capacities based upon rated flow of 9 GPM water at 1800 CFM airflow.

## COOLING FULL LOAD

Entering Fluid Temp. (°F)	Entering Air Temp. (°F)	Total Capacity (MBtuH)	Sensible Capacity (MBtuH)	Sensible to Total Ratio	Power Input (KW)	Heat of Rejection (MBtuH)	EER
40°	70° DB 59° WB	53.9	40.0	0.74	2.71	63.1	19.9
50°		53.8	40.4	0.75	3.00	64.0	17.9
60°		53.7	40.7	0.76	3.29	64.9	16.3
70°		53.6	41.1	0.77	3.58	65.8	15.0
80°		53.7	40.7	0.76	3.29	64.9	16.3
90°		53.8	40.4	0.75	3.00	64.0	17.9
100°		53.9	40.0	0.74	2.71	63.1	19.9
40°	75° DB 63° WB	57.9	41.6	0.72	2.75	67.3	21.1
50°		57.9	42.0	0.76	3.04	68.2	19.0
60°		57.8	42.4	0.75	3.33	69.1	17.3
70°		57.7	42.8	0.74	3.62	70.0	15.9
80°		57.8	42.4	0.73	3.33	69.1	17.3
90°		57.9	42.0	0.73	3.04	68.2	19.0
100°		57.9	41.6	0.72	2.75	67.3	21.1
40°	80° DB 67° WB	62.2	43.2	0.68	2.8	71.7	22.4
50°		62.1	43.6	0.70	3.08	72.6	20.2
60°		62.0	44.0	0.72	3.4	73.5	18.4
70°		61.9	44.4	0.72	3.67	74.5	16.9
80°		62.0	44.0	0.71	3.38	73.5	18.4
90°		62.1	43.6	0.70	3.08	72.6	20.2
100°		62.2	43.2	0.69	2.78	71.7	22.4
40°	85° DB 71° WB	66.7	44.7	0.67	2.82	76.3	23.6
50°		66.6	45.1	0.68	3.12	77.2	21.3
60°		66.5	45.5	0.68	3.42	78.2	19.4
70°		66.4	45.9	0.69	3.73	79.1	17.8
80°		66.5	45.5	0.68	3.42	78.2	19.4
90°		66.6	45.1	0.68	3.12	77.2	21.3
100°		66.7	44.7	0.67	2.82	76.3	23.6

## HEATING FULL LOAD

Entering Fluid Temp. (°F)	Entering Air Temp. (°F)	Total Capacity (MBtuH)	Leaving Air Temp. (°F)	Power Input (KW)	Heat of Absorption (MBtuH)	COP	
40°	65°	51.3	91.4	3.74	38.5	4.0	
45°		54.3	92.9	3.85	41.2	4.1	
50°		57.3	94.5	3.95	43.8	4.2	
60°		63.3	97.6	4.16	49.1	4.5	
70°		69.3	100.6	4.37	54.3	4.6	
80°		75.3	103.7	4.59	59.6	4.8	
90°		81.3	106.8	4.80	64.9	5.0	
40°		70°	50.1	95.8	3.84	37.0	3.8
45°			53.1	97.3	3.95	39.6	3.9
50°	56.0		98.8	4.06	42.1	4.0	
60°	61.9		101.8	4.28	47.3	4.2	
70°	67.7		104.8	4.49	52.4	4.4	
80°	73.6		107.8	4.71	57.5	4.6	
90°	79.4		110.9	4.92	62.6	4.8	
40°	75°		50.7	101.1	4.32	36.0	3.4
45°			53.7	102.6	4.44	38.5	3.5
50°		56.6	104.1	4.56	41.1	3.6	
60°		62.5	107.2	4.80	46.1	3.8	
70°		68.5	110.2	5.04	51.2	4.0	
80°		74.4	113.3	5.29	56.3	4.1	
90°		80.3	116.3	5.53	61.4	4.3	

Part Load Capacities based upon rated flow of 9 GPM water at 1300 CFM airflow.

## COOLING PART LOAD

Entering Fluid Temp. (°F)	Entering Air Temp. (°F)	Total Capacity (MBtuH)	Sensible Capacity (MBtuH)	Sensible to Total Ratio	Power Input (KW)	Heat of Rejection (MBtuH)	EER
40°	70° DB 59° WB	44.6	32.2	0.72	1.42	49.4	31.4
50°		42.9	31.4	0.73	1.67	48.6	25.8
60°		41.2	30.6	0.74	1.91	47.7	21.5
70°		39.5	29.8	0.75	2.16	46.8	18.3
80°		37.7	29.0	0.77	2.40	46.0	15.7
90°		36.0	28.2	0.78	2.65	45.1	13.6
100°		34.3	27.4	0.80	2.90	44.2	11.8
40°	75° DB 63° WB	48.0	33.5	0.70	1.44	52.9	33.4
50°		46.1	32.7	0.70	1.69	51.9	27.4
60°		44.3	31.8	0.72	1.94	50.9	22.9
70°		42.4	31.0	0.73	2.19	49.9	19.4
80°		40.6	30.2	0.74	2.43	48.9	16.7
90°		38.8	29.3	0.76	2.68	47.9	14.4
100°		36.9	28.5	0.77	2.93	46.9	12.6
40°	80° DB 67° WB	51.5	34.8	0.68	1.46	56.5	35.4
50°		49.5	33.9	0.68	1.71	55.4	29.0
60°		47.5	33.0	0.69	1.96	54.2	23.0
70°		45.6	32.2	0.71	2.21	53.1	20.6
80°		43.6	31.3	0.72	2.47	52.0	18.2
90°		41.6	30.4	0.73	2.72	50.9	15.7
100°		39.6	29.6	0.75	2.97	49.8	13.3
40°	85° DB 71° WB	55.2	36.0	0.65	1.48	60.2	37.4
50°		53.1	35.1	0.66	1.73	59.0	30.6
60°		51.0	34.2	0.67	1.99	57.7	25.6
70°		48.8	33.3	0.68	2.25	56.5	21.7
80°		46.7	32.4	0.69	2.50	55.3	18.7
90°		44.6	31.5	0.71	2.76	54.0	16.2
100°		42.5	30.6	0.72	3.02	52.8	14.1

## HEATING PART LOAD

Entering Fluid Temp. (°F)	Entering Air Temp. (°F)	Total Capacity (MBtuH)	Leaving Air Temp. (°F)	Power Input (KW)	Heat of Absorption (MBtuH)	COP	
40°	65°	26.7	84.0	1.76	20.7	4.4	
45°		33.8	89.1	2.20	26.3	4.5	
50°		40.9	94.1	2.63	31.9	4.6	
60°		55.1	104.2	3.50	43.1	4.6	
70°		69.3	114.3	4.37	54.3	4.6	
80°		83.4	124.4	5.24	65.5	4.7	
90°		97.6	134.5	6.11	76.7	4.7	
40°		70°	26.1	83.4	1.81	20.0	4.7
45°			33.1	87.0	2.26	25.4	4.7
50°	40.0		90.6	2.71	30.8	4.3	
60°	53.9		97.7	3.60	41.6	4.4	
70°	67.7		104.8	4.49	52.4	4.4	
80°	81.6		112.0	5.38	63.2	4.5	
90°	95.4		119.1	6.28	74.0	4.5	
40°	75°		26.4	93.8	2.03	19.5	3.8
45°			33.4	98.8	2.54	24.8	3.9
50°		40.4	103.8	3.04	30.1	3.9	
60°		54.4	113.8	4.04	40.7	3.9	
70°		68.5	123.8	5.04	51.2	4.0	
80°		82.5	133.7	6.05	61.8	4.0	
90°		96.5	143.7	7.05	72.4	4.0	

**GTC36S2 Matched with GTADP-3642-B (HE37942D175B2505AW) and GTADP-3642-C (HE37942D210B2505AW) -A Coils**

Full Load Capacities based upon rated flow of 8 GPM of 15% methanol/mass at 1200 CFM airflow.

**COOLING FULL LOAD**

Entering Fluid Temp. (°F)	Entering Air Temp. (°F)	Total Capacity (MBtuH)	Sensible Capacity (MBtuH)	Sensible to Total Ratio	Power Input (KW)	Heat of Rejection (MBtuH)	EER
50°	70° DB 59° WB	40.0	30.0	0.75	1.40	44.8	28.5
60°		38.0	29.0	0.76	1.67	43.7	22.8
70°		36.1	28.0	0.78	1.93	42.7	18.7
80°		34.2	27.1	0.79	2.19	41.7	15.6
90°		32.2	26.1	0.81	2.46	40.6	13.1
100°		30.3	25.1	0.83	2.72	39.6	11.1
110°		28.4	24.1	0.85	2.98	38.6	9.5
50°	75° DB 63° WB	43.0	31.2	0.73	1.41	47.8	30.4
60°		40.9	30.2	0.74	1.68	46.7	24.3
70°		38.8	29.2	0.75	1.95	45.5	19.9
80°		36.8	28.2	0.77	2.22	44.3	16.5
90°		34.7	27.2	0.78	2.49	43.2	13.9
100°		32.6	26.1	0.80	2.76	42.0	11.8
110°		30.5	25.1	0.82	3.03	40.9	10.1
50°	80° DB 67° WB	46.2	32.4	0.70	1.44	51.1	32.1
60°		43.9	31.4	0.71	1.71	49.8	25.7
70°		41.7	30.3	0.73	1.98	48.5	21.1
80°		39.5	29.2	0.74	2.25	47.1	17.5
90°		37.2	28.2	0.76	2.52	45.8	14.8
100°		35.0	27.1	0.77	2.79	44.5	12.5
110°		32.8	26.1	0.80	3.06	43.2	10.7
50°	85° DB 71° WB	49.5	33.6	0.68	1.46	54.5	33.9
60°		47.1	32.5	0.69	1.73	53.0	27.1
70°		44.7	31.4	0.70	2.01	51.5	22.3
80°		42.3	30.3	0.72	2.28	50.1	18.5
90°		39.9	29.2	0.73	2.56	48.6	15.6
100°		37.5	28.1	0.75	2.83	47.2	13.3
110°		35.1	27.0	0.77	3.10	45.7	11.3

**HEATING FULL LOAD**

Entering Fluid Temp. (°F)	Entering Air Temp. (°F)	Total Capacity (MBtuH)	Leaving Air Temp. (°F)	Power Input (KW)	Heat of Absorption (MBtuH)	COP
25°	65°	23.7	83.3	1.92	17.0	3.7
30°		26.3	85.3	1.98	19.3	3.9
40°		31.4	89.3	2.12	24.0	4.3
50°		36.6	93.2	2.26	28.7	4.8
60°		41.8	97.2	2.39	33.4	5.1
70°		46.9	101.2	2.53	38.1	5.4
80°		52.1	105.2	2.67	42.8	5.8
25°		70°	23.2	87.9	1.97	16.5
30°	25.7		89.8	2.04	18.7	3.7
40°	30.7		93.7	2.18	23.3	4.1
50°	35.8		97.6	2.32	27.9	4.5
60°	40.8		101.5	2.46	32.4	4.8
70°	45.9		105.4	2.60	37.0	5.2
80°	50.9		109.3	2.74	41.6	5.5
25°	75°		23.4	93.1	2.21	16.0
30°		26.0	95.0	2.29	18.2	3.3
40°		31.1	99.0	2.44	22.6	3.7
50°		36.2	102.9	2.60	27.0	4.1
60°		41.3	106.8	2.76	31.5	4.4
70°		46.4	110.8	2.92	35.9	4.7
80°		51.5	114.7	3.07	40.3	4.9

Part Load Capacities based upon rated flow of 8 GPM of 15% methanol/mass at 850 CFM airflow.

**COOLING PART LOAD**

Entering Fluid Temp. (°F)	Entering Air Temp. (°F)	Total Capacity (MBtuH)	Sensible Capacity (MBtuH)	Sensible to Total Ratio	Power Input (KW)	Heat of Rejection (MBtuH)	EER
50°	70° DB 59° WB	30.0	22.8	0.76	0.64	32.2	46.9
60°		27.5	21.4	0.78	0.86	30.5	32.2
70°		25.1	20.1	0.80	1.07	28.8	23.4
80°		22.7	18.7	0.83	1.29	27.1	17.6
90°		20.2	17.4	0.86	1.51	25.4	13.4
100°		17.8	16.0	0.90	1.72	23.7	10.3
110°		15.4	14.6	0.95	1.94	22.0	7.9
50°	75° DB 63° WB	32.3	23.7	0.74	0.64	34.4	50.2
60°		29.6	22.3	0.75	0.86	32.6	34.3
70°		27.0	20.9	0.77	1.09	30.7	24.9
80°		24.4	19.5	0.80	1.31	28.8	18.7
90°		21.8	18.1	0.83	1.53	27.0	14.2
100°		19.1	16.7	0.87	1.75	25.1	10.9
110°		16.5	15.2	0.92	1.97	23.3	8.4
50°	80° DB 67° WB	34.6	24.6	0.69	0.66	36.9	36.2
60°		31.8	23.2	0.72	0.88	34.8	31.3
70°		29.0	21.7	0.75	1.10	32.8	26.4
80°		26.2	20.2	0.78	1.32	30.7	21.5
90°		23.4	18.8	0.81	1.54	28.6	16.5
100°		20.6	17.3	0.84	1.77	26.6	11.6
110°		17.7	15.8	0.87	1.99	24.5	6.7
50°	85° DB 71° WB	37.1	25.5	0.69	0.66	39.4	55.8
60°		34.1	24.0	0.70	0.89	37.1	38.3
70°		31.1	22.5	0.72	1.12	34.9	27.9
80°		28.1	20.9	0.75	1.34	32.6	20.9
90°		25.0	19.4	0.78	1.57	30.4	16.0
100°		22.0	17.9	0.81	1.79	28.1	12.3
110°		19.0	16.4	0.86	2.02	25.9	9.4

**HEATING PART LOAD**

Entering Fluid Temp. (°F)	Entering Air Temp. (°F)	Total Capacity (MBtuH)	Leaving Air Temp. (°F)	Power Input (KW)	Heat of Absorption (MBtuH)	COP
25°	65°	16.7	83.2	1.28	12.2	3.9
30°		18.6	85.2	1.31	13.9	4.1
40°		22.3	89.3	1.39	17.4	4.7
50°		26.0	93.3	1.46	20.9	5.2
60°		29.7	97.3	1.53	24.4	5.7
70°		33.4	101.4	1.61	27.8	6.1
80°		37.1	105.4	1.68	31.3	6.5
25°		70°	16.3	87.8	1.31	11.8
30°	18.1		89.8	1.35	13.5	3.9
40°	21.8		93.7	1.43	16.9	4.4
50°	25.4		97.7	1.50	20.3	5.0
60°	29.0		101.6	1.58	23.7	5.4
70°	32.7		105.6	1.65	27.0	5.8
80°	36.3		109.5	1.73	30.4	6.2
25°	75°		16.5	93.0	1.47	11.5
30°		18.3	95.0	1.52	13.1	3.5
40°		22.0	99.0	1.60	16.4	4.0
50°		25.7	103.0	1.68	19.7	4.5
60°		29.3	107.0	1.77	22.9	4.8
70°		33.0	111.0	1.85	26.2	5.2
80°		36.7	115.0	1.94	29.5	5.6

**GTC36S2 Matched with GTADP-3642-B (HE37942D175B2505AW) and GTADP-3642-C (HE37942D210B2505AW) -A Coils**

Full Load Capacities based upon rated flow of 6 GPM water at 1200 CFM airflow.

**COOLING FULL LOAD**

Entering Fluid Temp. (°F)	Entering Air Temp. (°F)	Total Capacity (MBtuH)	Sensible Capacity (MBtuH)	Sensible to Total Ratio	Power Input (KW)	Heat of Rejection (MBtuH)	EER
40°	70° DB 59° WB	35.8	25.8	0.72	1.54	41.0	23.2
50°		35.8	26.5	0.74	1.63	41.4	22.0
60°		35.8	27.2	0.76	1.72	41.7	20.8
70°		35.8	28.0	0.78	1.81	42.0	19.8
80°		35.8	27.2	0.76	1.72	41.7	20.8
90°		35.8	26.5	0.74	1.63	41.4	22.0
100°		35.8	25.8	0.72	1.54	41.0	23.2
40°	75° DB 63° WB	38.5	26.9	0.70	1.56	43.8	24.7
50°		38.5	27.6	0.79	1.65	44.2	23.3
60°		38.5	28.4	0.77	1.74	44.5	22.1
70°		38.6	29.1	0.75	1.84	44.8	21.0
80°		38.5	28.4	0.74	1.74	44.5	22.1
90°		38.5	27.6	0.72	1.65	44.2	23.3
100°		38.5	26.9	0.70	1.56	43.8	24.7
40°	80° DB 67° WB	41.3	27.9	0.78	1.58	46.7	26.2
50°		41.4	28.7	0.77	1.67	48.4	24.7
60°		41.4	29.4	0.75	1.77	48.1	23.4
70°		41.4	30.2	0.73	1.86	47.7	22.3
80°		41.4	29.4	0.71	1.77	47.4	23.4
90°		41.4	28.7	0.69	1.67	47.1	24.7
100°		41.3	27.9	0.67	1.58	46.7	26.2
40°	85° DB 71° WB	44.3	28.9	0.65	1.60	49.8	27.6
50°		44.3	29.7	0.67	1.70	50.1	26.1
60°		44.3	30.5	0.69	1.79	50.5	24.7
70°		44.4	31.3	0.70	1.89	50.8	23.5
80°		44.3	30.5	0.69	1.79	50.5	24.7
90°		44.3	29.7	0.67	1.70	50.1	26.1
100°		44.3	28.9	0.65	1.60	49.8	27.6

**HEATING FULL LOAD**

Entering Fluid Temp. (°F)	Entering Air Temp. (°F)	Total Capacity (MBtuH)	Leaving Air Temp. (°F)	Power Input (KW)	Heat of Absorption (MBtuH)	COP	
40°	65°	29.9	88.1	1.83	23.7	4.8	
45°		32.5	90.1	1.94	25.9	4.9	
50°		35.1	92.1	2.05	28.1	5.0	
60°		40.3	96.1	2.27	32.6	5.2	
70°		45.5	100.1	2.49	37.0	5.4	
80°		50.7	104.1	2.71	41.4	5.5	
90°		55.9	108.1	2.93	45.9	5.6	
40°		70°	29.2	92.5	1.87	22.8	4.6
45°			31.8	94.5	1.99	25.0	4.7
50°	34.3		96.5	2.10	27.1	4.8	
60°	39.4		100.4	2.33	31.4	4.9	
70°	44.5		104.3	2.55	35.7	5.1	
80°	49.5		108.2	2.78	40.1	5.3	
90°	54.6		112.1	3.00	44.4	5.4	
40°	75°		29.5	97.8	2.10	22.4	4.1
45°			32.1	99.8	2.23	24.5	4.2
50°		34.7	101.8	2.36	26.6	4.3	
60°		39.8	105.7	2.61	30.9	4.5	
70°		44.9	109.7	2.87	35.2	4.6	
80°		50.1	113.6	3.12	39.4	4.7	
90°		55.2	117.6	3.37	43.7	4.8	

Part Load Capacities based upon rated flow of 6 GPM water at 850 CFM airflow.

**COOLING PART LOAD**

Entering Fluid Temp. (°F)	Entering Air Temp. (°F)	Total Capacity (MBtuH)	Sensible Capacity (MBtuH)	Sensible to Total Ratio	Power Input (KW)	Heat of Rejection (MBtuH)	EER
40°	70° DB 59° WB	27.0	21.3	0.79	0.70	29.4	38.8
50°		26.4	20.8	0.79	0.83	29.2	31.9
60°		25.8	20.3	0.79	0.96	29.1	26.9
70°		25.2	19.8	0.79	1.09	28.9	23.1
80°		24.6	19.3	0.78	1.22	28.8	20.1
90°		24.0	18.8	0.78	1.35	28.6	17.7
100°		23.4	18.3	0.78	1.49	28.5	15.7
40°	75° DB 63° WB	29.1	22.2	0.76	0.71	31.5	41.2
50°		28.4	21.7	0.76	0.84	31.3	33.9
60°		27.8	21.2	0.76	0.97	31.1	28.6
70°		27.1	20.6	0.76	1.11	30.9	24.5
80°		26.5	20.1	0.76	1.24	30.7	21.4
90°		25.8	19.6	0.76	1.37	30.5	18.8
100°		25.1	19.0	0.76	1.50	30.3	16.7
40°	80° DB 67° WB	31.2	23.1	0.74	0.72	33.6	43.6
50°		30.5	22.5	0.74	0.85	33.4	35.9
60°		29.8	22.0	0.74	0.99	33.2	28.7
70°		29.1	21.4	0.74	1.12	32.9	26.0
80°		28.4	20.9	0.73	1.26	32.7	23.2
90°		27.7	20.3	0.73	1.39	32.4	20.5
100°		27.0	19.8	0.73	1.53	32.2	17.7
40°	85° DB 71° WB	33.4	23.9	0.71	0.73	35.9	46.1
50°		32.7	23.3	0.71	0.86	35.6	37.9
60°		31.9	22.7	0.71	1.00	35.3	32.0
70°		31.2	22.1	0.71	1.14	35.1	27.5
80°		30.4	21.6	0.71	1.27	34.8	23.9
90°		29.7	21.0	0.71	1.41	34.5	21.1
100°		28.9	20.4	0.71	1.55	34.2	18.7

**HEATING PART LOAD**

Entering Fluid Temp. (°F)	Entering Air Temp. (°F)	Total Capacity (MBtuH)	Leaving Air Temp. (°F)	Power Input (KW)	Heat of Absorption (MBtuH)	COP	
40°	65°	21.2	88.1	1.24	17.0	5.0	
45°		23.1	90.1	1.30	18.7	5.2	
50°		24.9	92.2	1.35	20.3	5.4	
60°		28.6	96.2	1.46	23.6	5.7	
70°		32.3	100.2	1.58	26.9	6.0	
80°		36.0	104.2	1.69	30.2	6.3	
90°		39.7	108.2	1.80	33.6	6.5	
40°		70°	20.8	92.6	1.28	16.4	4.8
45°			22.6	94.6	1.33	18.0	5.0
50°	24.4		96.5	1.39	19.6	5.1	
60°	28.0		100.5	1.50	22.8	5.3	
70°	31.6		104.4	1.62	26.1	5.5	
80°	35.2		108.3	1.73	29.3	5.7	
90°	38.8		112.3	1.85	32.5	5.8	
40°	75°		21.0	97.9	1.43	16.1	4.3
45°			22.8	99.9	1.50	17.7	4.5
50°		24.6	101.8	1.56	19.3	4.6	
60°		28.3	105.8	1.69	22.5	4.9	
70°		31.9	109.8	1.82	25.7	5.2	
80°		35.6	113.8	1.94	28.9	5.4	
90°		39.2	117.7	2.07	32.2	5.5	

**GTC48S2 Matched with GTADP-4860-C (HE49948D210B2705AW) -A Coils**

Full Load Capacities based upon rated flow of 12 GPM of 15% methanol/mass at 1500 CFM airflow.

**COOLING FULL LOAD**

Entering Fluid Temp. (°F)	Entering Air Temp. (°F)	Total Capacity (MBtuH)	Sensible Capacity (MBtuH)	Sensible to Total Ratio	Power Input (KW)	Heat of Rejection (MBtuH)	EER
50°	70° DB 59° WB	48.2	38.0	0.79	1.85	54.5	26.1
60°		46.7	36.6	0.78	2.26	54.4	20.7
70°		45.2	35.2	0.78	2.67	54.3	16.9
80°		43.7	33.7	0.77	3.08	54.2	14.2
90°		42.2	32.3	0.77	3.50	54.1	12.1
100°		40.7	30.9	0.76	3.91	54.0	10.4
110°		39.2	29.5	0.75	4.32	53.9	9.1
50°	75° DB 63° WB	51.8	39.6	0.76	1.86	58.2	27.9
60°		50.2	38.1	0.76	2.28	58.0	22.0
70°		48.6	36.6	0.75	2.70	57.8	18.0
80°		47.0	35.1	0.75	3.13	57.7	15.0
90°		45.4	33.6	0.74	3.55	57.5	12.8
100°		43.8	32.2	0.73	3.97	57.3	11.0
110°		42.2	30.7	0.73	4.40	57.2	9.6
50°	80° DB 67° WB	55.7	41.1	0.74	1.89	62.1	29.4
60°		53.9	39.5	0.73	2.32	61.8	23.3
70°		52.2	38.0	0.73	2.74	61.6	19.1
80°		50.5	36.5	0.72	3.16	61.3	16.0
90°		48.7	34.9	0.72	3.59	61.0	13.6
100°		47.0	33.4	0.71	4.01	60.7	11.7
110°		45.3	31.8	0.70	4.43	60.4	10.2
50°	85° DB 71° WB	59.7	42.5	0.71	1.92	66.2	31.1
60°		57.8	40.9	0.71	2.35	65.8	24.6
70°		55.9	39.3	0.70	2.78	65.4	20.1
80°		54.1	37.7	0.70	3.21	65.0	16.9
90°		52.2	36.1	0.69	3.64	64.7	14.4
100°		50.4	34.5	0.69	4.07	64.3	12.4
110°		48.5	32.9	0.68	4.50	63.9	10.8

**HEATING FULL LOAD**

Entering Fluid Temp. (°F)	Entering Air Temp. (°F)	Total Capacity (MBtuH)	Leaving Air Temp. (°F)	Power Input (KW)	Heat of Absorption (MBtuH)	COP
25°	65°	34.1	86.1	2.93	23.8	3.4
30°		37.2	88.0	3.04	26.5	3.6
40°		43.5	91.8	3.24	32.1	3.9
50°		49.7	95.7	3.44	37.6	4.2
60°		56.0	99.5	3.64	43.2	4.5
70°		62.2	103.4	3.85	48.7	4.7
80°		68.4	107.2	4.05	54.3	5.0
25°		70°	33.4	90.6	3.01	23.1
30°	36.4		92.5	3.12	25.8	3.4
40°	42.5		96.2	3.33	31.2	3.7
50°	48.6		100.0	3.53	36.5	4.0
60°	54.7		103.8	3.741	41.9	4.3
70°	60.8		107.5	3.95	47.3	4.5
80°	66.9		111.3	4.16	52.7	4.8
25°	75°		33.7	95.8	3.38	22.4
30°		36.8	97.7	3.50	25.0	3.1
40°		43.0	101.5	3.73	30.2	3.4
50°		49.1	105.3	3.97	35.4	3.6
60°		55.3	109.1	4.20	40.7	3.8
70°		61.5	112.9	4.43	45.9	4.1
80°		67.6	116.8	4.67	51.1	4.3

Part Load Capacities based upon rated flow of 12 GPM of 15% methanol/mass at 1075 CFM airflow.

**COOLING PART LOAD**

Entering Fluid Temp. (°F)	Entering Air Temp. (°F)	Total Capacity (MBtuH)	Sensible Capacity (MBtuH)	Sensible to Total Ratio	Power Input (KW)	Heat of Rejection (MBtuH)	EER
50°	70° DB 59° WB	35.0	28.8	0.82	1.01	38.5	34.6
60°		33.8	27.9	0.82	1.33	38.4	25.3
70°		32.6	26.9	0.83	1.66	38.3	19.7
80°		31.5	26.0	0.83	1.98	38.2	15.9
90°		30.3	25.1	0.83	2.30	38.1	13.2
100°		29.1	24.2	0.83	2.62	38.0	11.1
110°		27.9	23.2	0.83	2.95	38.0	9.5
50°	75° DB 63° WB	37.7	30.0	0.80	1.02	41.1	37.0
60°		36.4	29.0	0.80	1.35	41.0	27.0
70°		35.1	28.0	0.80	1.68	40.8	20.9
80°		33.8	27.1	0.80	2.01	40.7	16.9
90°		32.6	26.1	0.80	2.34	40.5	13.9
100°		31.3	25.2	0.80	2.67	40.4	11.7
110°		30.0	24.2	0.81	3.00	40.3	10.0
50°	80° DB 67° WB	40.4	31.1	0.77	1.04	44.0	28.6
60°		39.1	30.1	0.77	1.37	43.7	25.4
70°		37.7	29.1	0.77	1.70	43.5	22.2
80°		36.3	28.1	0.77	2.03	43.3	18.9
90°		35.0	27.1	0.78	2.36	43.0	15.7
100°		33.6	26.1	0.78	2.69	42.8	12.5
110°		32.2	25.1	0.78	3.02	42.5	9.2
50°	85° DB 71° WB	43.3	32.2	0.74	1.05	46.9	41.1
60°		41.9	31.2	0.74	1.39	46.6	30.1
70°		40.4	30.1	0.75	1.72	46.3	23.4
80°		38.9	29.1	0.75	2.06	46.0	18.9
90°		37.5	28.1	0.75	2.40	45.7	15.6
100°		36.0	27.0	0.75	2.73	45.3	13.2
110°		34.5	26.0	0.75	3.07	45.0	11.3

**HEATING PART LOAD**

Entering Fluid Temp. (°F)	Entering Air Temp. (°F)	Total Capacity (MBtuH)	Leaving Air Temp. (°F)	Power Input (KW)	Heat of Absorption (MBtuH)	COP
25°	65°	23.8	85.5	2.17	16.1	3.2
30°		26.3	87.7	2.21	18.5	3.5
40°		31.3	92.0	2.28	23.3	4.0
50°		36.3	96.3	2.35	28.1	4.5
60°		41.4	100.6	2.43	32.9	5.0
70°		46.4	104.9	2.50	37.7	5.4
80°		51.4	109.2	2.57	42.4	5.9
25°		70°	23.3	90.0	2.23	15.7
30°	25.7		92.2	2.27	18.0	3.3
40°	30.6		96.4	2.34	22.6	3.8
50°	35.5		100.6	2.42	27.3	4.3
60°	40.4		104.8	2.49	31.9	4.7
70°	45.3		109.0	2.57	36.6	5.2
80°	50.2		113.3	2.64	41.2	5.6
25°	75°		23.5	95.3	2.51	15.2
30°		26.0	97.4	2.55	17.4	3.0
40°		31.0	101.7	2.63	22.0	3.4
50°		35.9	105.9	2.71	26.5	3.9
60°		40.9	110.2	2.80	31.0	4.3
70°		45.8	114.5	2.88	35.5	4.7
80°		50.8	118.7	2.97	40.0	5.0

**GTC48S2 Matched with GTADP-4860-C (HE49948D210B2705AW) -A Coils**

Full Load Capacities based upon rated flow of 7 GPM water at 1500 CFM airflow.

**COOLING FULL LOAD**

Entering Fluid Temp. (°F)	Entering Air Temp. (°F)	Total Capacity (MBtuH)	Sensible Capacity (MBtuH)	Sensible to Total Ratio	Power Input (KW)	Heat of Rejection (MBtuH)	EER
40°	70° DB 59° WB	47.6	34.3	0.72	2.41	55.8	19.8
50°		47.2	34.6	0.73	2.46	55.6	19.2
60°		46.8	34.9	0.75	2.52	55.4	18.6
70°		46.4	35.2	0.76	2.57	55.2	18.0
80°		46.8	34.9	0.75	2.52	55.4	18.6
90°		47.2	34.6	0.73	2.46	55.6	19.2
100°		47.6	34.3	0.72	2.41	55.8	19.8
40°	75° DB 63° WB	51.2	35.8	0.70	2.44	59.5	21.0
50°		50.8	36.0	0.76	2.49	59.3	20.4
60°		50.4	36.3	0.75	2.55	59.1	19.8
70°		49.9	36.6	0.73	2.60	58.8	19.2
80°		50.4	36.3	0.72	2.55	59.1	19.8
90°		50.8	36.0	0.71	2.49	59.3	20.4
100°		51.2	35.8	0.70	2.44	59.5	21.0
40°	80° DB 67° WB	55.0	37.1	0.74	2.47	63.4	22.3
50°		54.5	37.4	0.73	2.53	62.1	21.6
60°		54.1	37.7	0.72	2.58	62.3	20.9
70°		53.6	38.0	0.71	2.64	62.6	20.3
80°		54.1	37.7	0.70	2.58	62.9	20.9
90°		54.5	37.4	0.69	2.53	63.2	21.6
100°		55.0	37.1	0.67	2.47	63.4	22.3
40°	85° DB 71° WB	58.9	38.4	0.65	2.51	67.5	23.5
50°		58.4	38.7	0.66	2.56	67.2	22.8
60°		57.9	39.0	0.67	2.62	66.9	22.1
70°		57.4	39.3	0.68	2.68	66.6	21.5
80°		57.9	39.0	0.67	2.62	66.9	22.1
90°		58.4	38.7	0.66	2.56	67.2	22.8
100°		58.9	38.4	0.65	2.51	67.5	23.5

**HEATING FULL LOAD**

Entering Fluid Temp. (°F)	Entering Air Temp. (°F)	Total Capacity (MBtuH)	Leaving Air Temp. (°F)	Power Input (KW)	Heat of Absorption (MBtuH)	COP	
40°	65°	37.2	87.9	2.61	28.3	4.2	
45°		41.3	90.5	2.81	31.7	4.3	
50°		45.5	93.1	3.02	35.2	4.4	
60°		53.9	98.3	3.43	42.2	4.6	
70°		62.2	103.4	3.85	49.1	4.7	
80°		70.6	108.6	4.26	56.0	4.9	
90°		78.9	113.7	4.67	63.0	4.9	
40°		70°	36.3	92.4	2.68	27.2	4.0
45°			40.4	94.9	2.89	30.6	4.1
50°	44.5		97.5	3.10	33.9	4.2	
60°	52.7		102.5	3.52	40.6	4.4	
70°	60.8		107.6	3.95	47.4	4.5	
80°	69.0		112.6	4.37	54.1	4.7	
90°	77.2		117.6	4.80	60.8	4.8	
40°	75°		36.7	106.6	3.00	26.5	3.6
45°			40.9	110.2	3.24	29.8	3.7
50°		45.0	113.8	3.48	33.1	3.8	
60°		53.2	120.9	3.96	39.7	3.9	
70°		61.5	128.0	4.43	46.4	4.1	
80°		69.8	135.1	4.91	53.0	4.2	
90°		78.0	142.2	5.39	59.6	4.2	

Part Load Capacities based upon rated flow of 5 GPM water at 1150 CFM airflow.

**COOLING PART LOAD**

Entering Fluid Temp. (°F)	Entering Air Temp. (°F)	Total Capacity (MBtuH)	Sensible Capacity (MBtuH)	Sensible to Total Ratio	Power Input (KW)	Heat of Rejection (MBtuH)	EER
40°	70° DB 59° WB	34.3	27.2	0.79	1.14	38.2	30.1
50°		34.2	26.9	0.79	1.34	38.8	25.6
60°		34.1	26.7	0.78	1.53	39.3	22.3
70°		33.9	26.5	0.78	1.72	39.8	19.7
80°		33.8	26.2	0.78	1.92	40.4	17.6
90°		33.7	26.0	0.77	2.11	40.9	15.9
100°		33.6	25.7	0.77	2.31	41.4	14.5
40°	75° DB 63° WB	36.9	28.3	0.77	1.15	40.9	32.0
50°		36.8	28.0	0.76	1.35	41.4	27.2
60°		36.6	27.8	0.76	1.55	41.9	23.7
70°		36.5	27.5	0.75	1.75	42.5	20.9
80°		36.4	27.3	0.75	1.94	43.0	18.7
90°		36.2	27.0	0.75	2.14	43.5	16.9
100°		36.1	26.8	0.74	2.34	44.1	15.4
40°	80° DB 67° WB	39.7	29.4	0.74	1.17	43.6	33.9
50°		39.5	29.1	0.74	1.37	44.2	28.8
60°		39.4	28.8	0.73	1.57	44.7	24.1
70°		39.2	28.6	0.73	1.77	45.2	22.1
80°		39.1	28.3	0.73	1.97	45.8	20.2
90°		38.9	28.1	0.72	2.17	46.3	18.3
100°		38.8	27.8	0.72	2.37	46.8	16.4
40°	85° DB 71° WB	42.5	30.4	0.72	1.19	46.5	35.8
50°		42.3	30.1	0.71	1.39	47.1	30.5
60°		42.2	29.9	0.71	1.59	47.6	26.5
70°		42.0	29.6	0.70	1.80	48.1	23.4
80°		41.9	29.3	0.70	2.00	48.7	20.9
90°		41.7	29.0	0.70	2.20	49.2	18.9
100°		41.5	28.8	0.69	2.40	49.7	17.3

**HEATING PART LOAD**

Entering Fluid Temp. (°F)	Entering Air Temp. (°F)	Total Capacity (MBtuH)	Leaving Air Temp. (°F)	Power Input (KW)	Heat of Absorption (MBtuH)	COP	
40°	65°	29.2	83.0	2.13	22.0	4.0	
45°		31.7	84.6	2.16	24.3	4.3	
50°		34.2	86.1	2.19	26.7	4.6	
60°		39.1	89.1	2.25	31.4	5.1	
70°		44.0	92.2	2.32	36.1	5.6	
80°		49.0	95.2	2.38	40.9	6.0	
90°		53.9	98.3	2.44	45.6	6.5	
40°		70°	28.6	94.6	2.19	21.1	3.8
45°			31.0	96.7	2.22	23.4	4.1
50°	33.4		98.8	2.25	25.7	4.3	
60°	38.2		102.9	2.31	30.3	4.6	
70°	43.1		107.1	2.38	34.9	4.9	
80°	47.9		111.2	2.44	39.5	5.1	
90°	52.7		115.4	2.51	44.2	5.4	
40°	75°		28.9	99.9	2.45	20.5	3.4
45°			31.3	102.0	2.49	22.8	3.7
50°		33.8	104.1	2.53	25.1	3.9	
60°		38.6	108.3	2.60	29.8	4.4	
70°		43.5	112.5	2.67	34.4	4.8	
80°		48.4	116.7	2.74	39.0	5.2	
90°		53.3	120.9	2.81	43.7	5.5	



**GTC60S2 Matched with GTADP-4860-C (HE49948D210B2705AW) -A Coils**

Full Load Capacities based upon rated flow of 15 GPM of 15% methanol/mass at 1800 CFM airflow.

**COOLING FULL LOAD**

Entering Fluid Temp. (°F)	Entering Air Temp. (°F)	Total Capacity (MBtuH)	Sensible Capacity (MBtuH)	Sensible to Total Ratio	Power Input (KW)	Heat of Rejection (MBtuH)	EER
50°	70° DB 59° WB	61.7	43.6	0.71	2.49	70.2	24.8
60°		59.4	42.7	0.72	2.84	69.1	20.9
70°		57.1	41.8	0.73	3.20	68.0	17.9
80°		54.8	40.9	0.75	3.55	66.9	15.4
90°		52.4	40.0	0.76	3.90	65.8	13.4
100°		50.1	39.1	0.78	4.26	64.7	11.8
110°		47.8	38.3	0.80	4.61	63.6	10.4
50°	75° DB 63° WB	66.3	45.4	0.68	2.51	74.9	26.5
60°		63.9	44.5	0.70	2.87	73.7	22.2
70°		61.4	43.6	0.71	3.24	72.4	19.0
80°		58.9	42.6	0.72	3.60	71.2	16.4
90°		56.4	41.7	0.74	3.97	69.9	14.2
100°		53.9	40.8	0.76	4.33	68.7	12.5
110°		51.4	39.8	0.77	4.69	67.5	11.0
50°	80° DB 67° WB	71.2	47.1	0.66	2.55	79.9	27.9
60°		68.6	46.2	0.67	2.92	78.5	23.5
70°		65.9	45.2	0.69	3.28	77.1	20.1
80°		63.2	44.2	0.70	3.64	75.7	17.4
90°		60.6	43.3	0.71	4.01	74.2	15.1
100°		57.9	42.3	0.73	4.37	72.8	13.2
110°		55.2	41.3	0.75	4.73	71.4	11.7
50°	85° DB 71° WB	76.3	48.8	0.64	2.59	85.2	29.5
60°		73.5	47.8	0.65	2.96	83.6	24.8
70°		70.6	46.8	0.66	3.33	82.0	21.2
80°		67.8	45.8	0.68	3.70	80.4	18.3
90°		64.9	44.8	0.69	4.06	78.8	16.0
100°		62.1	43.8	0.71	4.43	77.2	14.0
110°		59.2	42.8	0.72	4.80	75.6	12.3

**HEATING FULL LOAD**

Entering Fluid Temp. (°F)	Entering Air Temp. (°F)	Total Capacity (MBtuH)	Leaving Air Temp. (°F)	Power Input (KW)	Heat of Absorption (MBtuH)	COP
25°	65°	44.1	87.7	3.77	30.8	3.4
30°		46.4	88.9	3.85	32.9	3.5
40°		51.2	91.3	3.99	37.1	3.7
50°		55.9	93.7	4.14	41.3	4.0
60°		60.6	96.2	4.29	45.5	4.1
70°		65.3	98.6	4.43	49.7	4.3
80°		70.0	101.0	4.58	53.9	4.5
25°		70°	43.1	92.2	3.88	29.9
30°	45.4		93.4	3.95	31.9	3.4
40°	50.0		95.7	4.10	36.0	3.6
50°	54.6		98.1	4.25	40.1	3.8
60°	59.2		100.5	4.40	44.2	3.9
70°	63.8		102.8	4.55	48.3	4.1
80°	68.4		105.2	4.70	52.4	4.3
25°	75°		43.6	97.4	4.35	29.0
30°		45.9	98.6	4.44	31.0	3.0
40°		50.6	101.0	4.60	34.9	3.2
50°		55.2	103.4	4.77	38.9	3.4
60°		59.9	105.8	4.94	42.9	3.5
70°		64.5	108.2	5.11	46.8	3.7
80°		69.2	110.6	5.28	50.8	3.9

Part Load Capacities based upon rated flow of 15 GPM of 15% methanol/mass at 1300 CFM airflow.

**COOLING PART LOAD**

Entering Fluid Temp. (°F)	Entering Air Temp. (°F)	Total Capacity (MBtuH)	Sensible Capacity (MBtuH)	Sensible to Total Ratio	Power Input (KW)	Heat of Rejection (MBtuH)	EER
50°	70° DB 59° WB	46.5	31.1	0.67	1.24	50.7	37.4
60°		44.5	30.6	0.69	1.54	49.8	29.0
70°		42.6	30.1	0.71	1.83	48.9	23.3
80°		40.7	29.6	0.73	2.13	47.9	19.1
90°		38.7	29.0	0.75	2.42	47.0	16.0
100°		36.8	28.5	0.77	2.72	46.1	13.5
110°		34.9	28.0	0.80	3.01	45.2	11.6
50°	75° DB 63° WB	50.0	32.4	0.65	1.25	54.2	40.0
60°		47.9	31.9	0.67	1.55	53.2	30.9
70°		45.8	31.3	0.68	1.85	52.2	24.7
80°		43.7	30.8	0.70	2.16	51.1	20.3
90°		41.7	30.2	0.73	2.46	50.1	16.9
100°		39.6	29.7	0.75	2.76	49.0	14.3
110°		37.5	29.1	0.78	3.07	48.0	12.2
50°	80° DB 67° WB	53.7	33.6	0.62	1.27	58.0	33.5
60°		51.4	33.1	0.64	1.58	56.8	29.8
70°		49.2	32.5	0.66	1.88	55.6	26.2
80°		47.0	31.9	0.68	2.18	54.4	22.5
90°		44.7	31.4	0.70	2.49	53.2	18.9
100°		42.5	30.8	0.72	2.79	52.0	15.2
110°		40.3	30.2	0.75	3.09	50.8	11.6
50°	85° DB 71° WB	57.5	34.8	0.61	1.29	61.9	44.5
60°		55.1	34.2	0.62	1.60	60.6	34.5
70°		52.7	33.6	0.64	1.91	59.2	27.6
80°		50.3	33.1	0.66	2.21	57.9	22.7
90°		47.9	32.5	0.68	2.52	56.6	19.0
100°		45.6	31.9	0.70	2.83	55.2	16.1
110°		43.2	31.3	0.73	3.14	53.9	13.8

**HEATING PART LOAD**

Entering Fluid Temp. (°F)	Entering Air Temp. (°F)	Total Capacity (MBtuH)	Leaving Air Temp. (°F)	Power Input (KW)	Heat of Absorption (MBtuH)	COP
25°	65°	30.5	86.7	2.78	20.6	3.2
30°		33.1	88.6	2.83	23.1	3.4
40°		38.4	92.4	2.92	28.1	3.8
50°		43.8	96.2	3.02	33.2	4.2
60°		49.1	100.0	3.11	38.2	4.6
70°		54.4	103.7	3.21	43.2	5.0
80°		59.7	107.5	3.30	48.2	5.3
25°		70°	29.8	91.2	2.86	20.0
30°	32.4		93.1	2.91	22.5	3.3
40°	37.6		96.8	3.00	27.3	3.7
50°	42.8		100.5	3.10	32.2	4.0
60°	48.0		104.2	3.20	37.1	4.4
70°	53.2		107.9	3.29	41.9	4.7
80°	58.4		111.6	3.39	46.8	5.1
25°	75°		30.1	96.4	3.21	19.4
30°		32.7	98.3	3.26	21.8	2.9
40°		38.0	102.1	3.37	26.5	3.3
50°		43.2	105.8	3.48	31.2	3.6
60°		48.5	109.5	3.59	36.0	3.9
70°		53.8	113.3	3.70	40.7	4.3
80°		59.0	117.0	3.81	45.4	4.6

**GTC60S2 Matched with GTADP-4860-C (HE49948D210B2705AW) -A Coils**

Full Load Capacities based upon rated flow of 9 GPM water at 1800 CFM airflow.

**COOLING FULL LOAD**

Entering Fluid Temp. (°F)	Entering Air Temp. (°F)	Total Capacity (MBtuH)	Sensible Capacity (MBtuH)	Sensible to Total Ratio	Power Input (KW)	Heat of Rejection (MBtuH)	EER
40°	70° DB 59° WB	53.9	39.7	0.74	2.53	62.5	21.3
50°		53.9	40.0	0.74	2.73	63.2	19.7
60°		53.8	40.3	0.75	2.92	63.8	18.4
70°		53.8	40.5	0.75	3.12	64.4	17.2
80°		53.8	40.3	0.75	2.92	63.8	18.4
90°		53.9	40.0	0.74	2.73	63.2	19.7
100°		53.9	39.7	0.74	2.53	62.5	21.3
40°	75° DB 63° WB	58.0	41.3	0.71	2.57	66.7	22.6
50°		57.9	41.6	0.74	2.76	67.4	21.0
60°		57.9	41.9	0.74	2.96	68.0	19.6
70°		57.8	42.2	0.73	3.16	68.6	18.3
80°		57.9	41.9	0.72	2.96	68.0	19.6
90°		57.9	41.6	0.72	2.76	67.4	21.0
100°		58.0	41.3	0.71	2.57	66.7	22.6
40°	80° DB 67° WB	62.3	42.9	0.68	2.6	71.1	23.9
50°		62.2	43.2	0.69	2.80	71.8	22.2
60°		62.2	43.5	0.71	3.0	72.4	20.7
70°		62.1	43.8	0.71	3.20	73.0	19.4
80°		62.2	43.5	0.70	3.00	72.4	20.7
90°		62.2	43.2	0.69	2.80	71.8	22.2
100°		62.3	42.9	0.69	2.60	71.1	23.9
40°	85° DB 71° WB	66.7	44.4	0.67	2.64	75.7	25.3
50°		66.7	44.7	0.67	2.84	76.4	23.5
60°		66.6	45.0	0.68	3.04	77.0	21.9
70°		66.6	45.3	0.68	3.25	77.6	20.5
80°		66.6	45.0	0.68	3.04	77.0	21.9
90°		66.7	44.7	0.67	2.84	76.4	23.5
100°		66.7	44.4	0.67	2.64	75.7	25.3

**HEATING FULL LOAD**

Entering Fluid Temp. (°F)	Entering Air Temp. (°F)	Total Capacity (MBtuH)	Leaving Air Temp. (°F)	Power Input (KW)	Heat of Absorption (MBtuH)	COP	
40°	65°	50.6	91.0	3.72	37.9	4.0	
45°		52.5	92.0	3.78	39.5	4.1	
50°		54.3	92.9	3.85	41.2	4.1	
60°		58.1	94.9	3.98	44.5	4.3	
70°		61.8	96.8	4.11	47.8	4.4	
80°		65.5	98.7	4.24	51.0	4.5	
90°		69.3	100.6	4.37	54.3	4.6	
40°		70°	49.5	95.4	3.82	36.4	3.8
45°			51.3	96.4	3.88	38.0	3.9
50°	53.1		97.3	3.95	39.6	3.9	
60°	56.8		99.2	4.09	42.8	4.1	
70°	60.4		101.1	4.22	46.0	4.2	
80°	64.1		102.9	4.36	49.2	4.3	
90°	67.7		104.8	4.49	52.4	4.4	
40°	75°		50.0	100.7	4.28	35.4	3.4
45°			51.8	101.7	4.36	37.0	3.5
50°		53.7	102.6	4.44	38.5	3.5	
60°		57.4	104.5	4.59	41.7	3.7	
70°		61.1	106.4	4.74	44.9	3.8	
80°		64.8	108.3	4.89	48.1	3.9	
90°		68.4	110.2	5.04	51.2	4.0	

Part Load Capacities based upon rated flow of 9 GPM water at 1300 CFM airflow.

**COOLING PART LOAD**

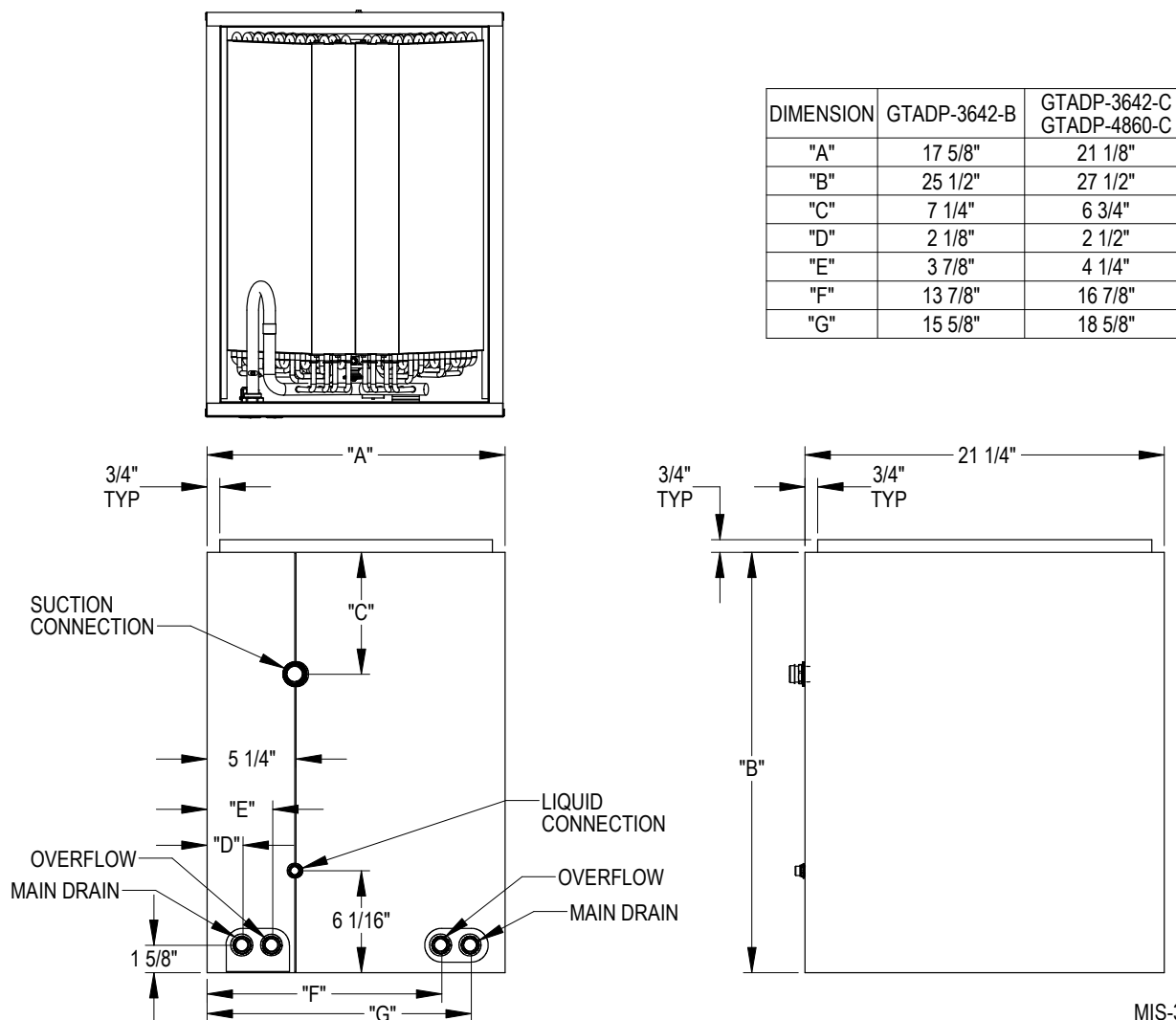
Entering Fluid Temp. (°F)	Entering Air Temp. (°F)	Total Capacity (MBtuH)	Sensible Capacity (MBtuH)	Sensible to Total Ratio	Power Input (KW)	Heat of Rejection (MBtuH)	EER
40°	70° DB 59° WB	45.9	32.8	0.71	1.42	50.7	32.3
50°		44.6	32.2	0.72	1.67	50.3	26.8
60°		43.3	31.6	0.73	1.91	49.8	22.6
70°		42.0	31.0	0.74	2.16	49.4	19.5
80°		40.7	30.4	0.75	2.40	48.9	16.9
90°		39.4	29.8	0.76	2.65	48.4	14.9
100°		38.1	29.2	0.77	2.90	48.0	13.1
40°	75° DB 63° WB	49.4	34.2	0.69	1.44	54.3	34.4
50°		48.0	33.5	0.70	1.69	53.7	28.5
60°		46.6	32.9	0.71	1.94	53.2	24.1
70°		45.2	32.3	0.71	2.19	52.6	20.7
80°		43.8	31.7	0.72	2.43	52.1	18.0
90°		42.4	31.0	0.73	2.68	51.5	15.8
100°		41.0	30.4	0.74	2.93	51.0	14.0
40°	80° DB 67° WB	53.0	35.5	0.67	1.46	58.0	36.4
50°		51.5	34.8	0.68	1.71	57.3	30.1
60°		50.0	34.2	0.68	1.96	56.7	24.3
70°		48.5	33.5	0.69	2.21	56.1	21.9
80°		47.0	32.9	0.70	2.47	55.4	19.5
90°		45.5	32.2	0.71	2.72	54.8	17.2
100°		44.0	31.6	0.72	2.97	54.1	14.8
40°	85° DB 71° WB	56.8	36.7	0.65	1.48	61.8	38.5
50°		55.2	36.0	0.65	1.73	61.1	31.8
60°		53.6	35.3	0.66	1.99	60.4	26.9
70°		52.0	34.7	0.67	2.25	59.6	23.1
80°		50.4	34.0	0.67	2.50	58.9	20.1
90°		48.8	33.3	0.68	2.76	58.2	17.7
100°		47.2	32.7	0.69	3.02	57.5	15.6

**HEATING PART LOAD**

Entering Fluid Temp. (°F)	Entering Air Temp. (°F)	Total Capacity (MBtuH)	Leaving Air Temp. (°F)	Power Input (KW)	Heat of Absorption (MBtuH)	COP	
40°	65°	25.0	82.8	1.66	19.4	4.4	
45°		29.4	86.0	1.93	22.9	4.5	
50°		33.9	89.1	2.20	26.3	4.5	
60°		42.7	95.4	2.75	33.3	4.6	
70°		51.6	101.7	3.29	40.3	4.6	
80°		60.4	108.0	3.84	47.3	4.6	
90°		69.3	114.3	4.38	54.3	4.6	
40°		70°	24.5	82.6	1.70	18.6	4.6
45°			28.8	84.8	1.98	22.0	4.7
50°	33.1		87.0	2.26	25.4	4.3	
60°	41.8		91.5	2.82	32.1	4.3	
70°	50.4		95.9	3.38	38.9	4.4	
80°	59.1		100.4	3.94	45.6	4.4	
90°	67.7		104.8	4.50	52.3	4.4	
40°	75°		24.7	92.6	1.91	18.2	3.8
45°			29.1	95.7	2.22	21.5	3.8
50°		33.5	98.8	2.54	24.8	3.9	
60°		42.2	105.1	3.17	31.4	3.9	
70°		51.0	111.3	3.80	38.0	3.9	
80°		59.7	117.5	4.42	44.6	4.0	
90°		68.4	123.7	5.05	51.2	4.0	

## Fossil Fuel ADP Coil Section Dimensions

FIGURE 1B - GTADP\*\*\*\*.\*  
FOSSIL FUEL ADP COIL SECTION DIMENSIONS



**NOTE: Fossil Fuel coil applications must be controlled with operating system that will delay restart of compressor if the fossil fuel furnace has been in operation. This is required to allow cool-down of the refrigerant bearing coil downstream of the furnace so the refrigerant pressures will be in acceptable operating range. Failure to do this can result in high pressure safety shutdown of the heat pump system.**

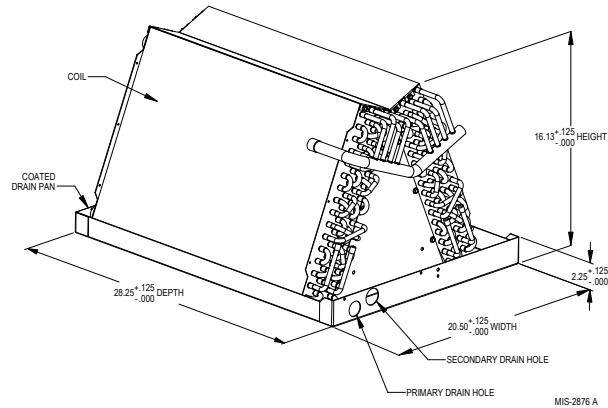
### DUAL FUEL HEATING / COOLING

Dual fuel is the combination of a fossil fuel furnace, normally gas or oil, with a heat pump. In milder weather the heat pump uses the available outdoor warmth and will transport that heat into your house cheaper than burning gas or oil. When it gets very cold, around 35°F, the heat pump automatically shuts down and the furnace heats the home. This combination gives you the maximum savings on both heating and cooling while providing you with ideal indoor comfort.

Dual fuel systems are becoming increasingly popular in lieu of conventional high efficiency furnaces with air conditioning due to the energy savings and ease of installation. Today's new hi-tech thermostats eliminate the need for complicated wiring and dual fuel control boards. Bard recommends using the Honeywell THX9321R5030 Prestige® Thermostat (does not include outdoor sensor). Honeywell also offers the Prestige® Kit 2.0 which includes the THX9321R5030 Prestige® Thermostat, REM5000R1001 Portable Comfort Control and C7089R1013 Wireless Outdoor Sensor.

# GTA Coil Dimensions if Used Without Cabinet

GTA Coil Dimensions if Used Without Cabinet

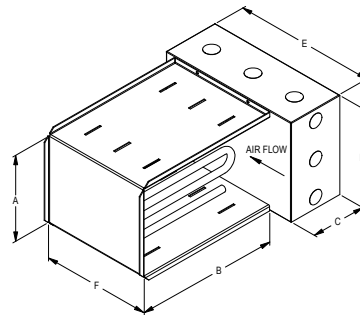


## Duct Heaters for Upflow and Horizontal Installation Only (Field Installed, Separate Power Supply Required)

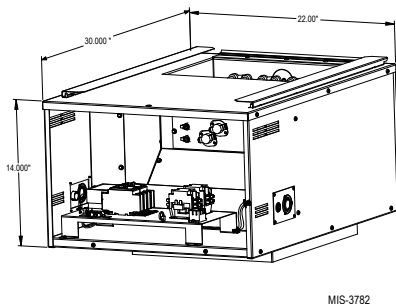
For Use With	Duct Heater Part Number	Heater Package	240 Volts			208 Volts			Minimum Circuit Ampacity	Maximum HACR Circuit Breaker	Field Wire Size +
			KW	Amps	BTUH	KW	Amps	BTUH			
All GTC*S2 Models	8604-080 MR812-5-1	240/208-60-1	5.0	20.8	17,065	3.75	18.0	12,799	26.0	30	#10
	8604-081 MR816-9.8-1	240/208-60-1	9.8	40.8	33,447	7.35	35.3	25,086	52.0	60	#6
	8604-082 MR1218-14.7-1	240/208-60-1	14.7	61.2	50,171	11.0	52.9	37,543	76.6	80	#4
	8604-083 MR1218-19.2-1	240/208-60-1	19.2	81.7	65,530	14.4	69.2	49,147	102.0	125	#1

+ Based upon 75°C copper wire. All wiring must conform to National Electric Code (Latest Edition) and all local codes.

Duct Heater Part Number	Dimensions in Inches					
	A	B	C	D	E	F
8604-080	7	11.5	4.5	8	11.5	8.6
8604-081	7	15.5	4.5	9.5	11.5	8.6
8604-082	11	17.5	5.5	14.5	18	8.6
8604-083	11	17.5	5.5	14.5	18	8.6



Horizontal – Left to Right  
Airflow (Shown)



### GEO-TRIO® COUNTERFLOW ELECTRIC HEATER ACCESSORIES

For Use with SINGLE HIGH VOLTAGE CIRCUIT APPLICATIONS (Field Installed, Separate Power Supply Required)

Heater Package Model (All GTC*S2 Models)	Heater Package Volts/Hertz/Phase	Heater Amps @ 240/208	Heater KW @ 240/208	Heater Btuh @ 240/208	Minimum Circuit Ampacity 240/208 Volts	Maximum HACR Circuit Breaker	Field Wire Size	Ground Wire Size
GTCFHK1-A10	240/208-60-1	40/34.6	9.6/7.2	32,765/24,575	50/45	50/50	#6	#10
GTCFHK1-A20	240/208-60-1	80/69.2	19.2/14.4	65,530/49,150	100/100	100/100	#2	#6

For Use with DUAL HIGH VOLTAGE CIRCUIT APPLICATIONS (Two Separate Supplied Power Circuits)

Heater Package Model (All GTC*S2 Models)	Heater Package Volts/Hertz/Phase	Heater Amps @ 240/208	Heater KW @ 240/208	Heater Btuh @ 240/208	Minimum Circuit Ampacity 240/208 Volts	Maximum HACR Circuit Breaker	Field Wire Size	Ground Wire Size
GTCFHK1-A20	240/208-60-1	40/34.6	9.6/7.2	32,765/24,575	50/45	50/50	#6	#10



Bard Manufacturing Company, Inc.  
Bryan, Ohio 43506  
www.bardvac.com

Due to our continuous product improvement policy,  
all specifications subject to change without notice.

Before purchasing this appliance, read important energy  
cost and efficiency information available from your retailer.

<p>Form No. <b>S3423</b> March, 2016</p> <p>Supersedes S3423-216</p>
--