

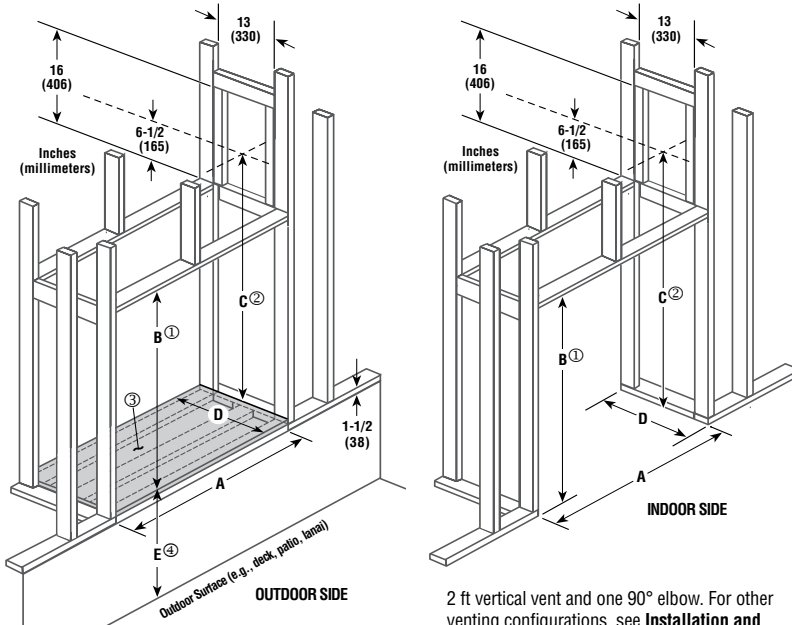
DRT63ST

SEE-THROUGH DIRECT-VENT FIREPLACE

	A	B ①	C ②	D	E ④
in	52-1/8	47-3/8	75-1/2	26-3/8	6
(mm)	(1324)	(1203)	(1918)	(668)	(152)

Framing Should be constructions of 2 x 4 or larger lumber.

Framing Dimensions

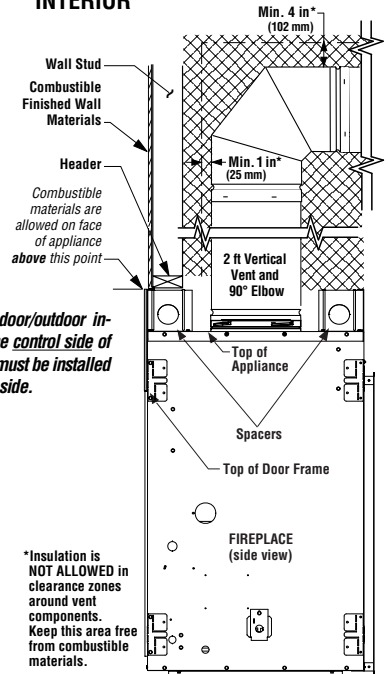


- ① Dimension B is from fireplace base to top framing member.
- ② Dimension C is from fireplace base to centerline of horizontal vent pipe. Minimum vent framing:

- ③ 1/2" board for platform (shown in gray).
- ④ Dimension E is a 6" clearance from fireplace base to outdoor surface (e.g., deck, patio, lanai) that is required as a moisture barrier (not a combustible clearance) on outdoor side only.

2 ft vertical vent and one 90° elbow. For other venting configurations, see **Installation and Operation Manual**.

INTERIOR

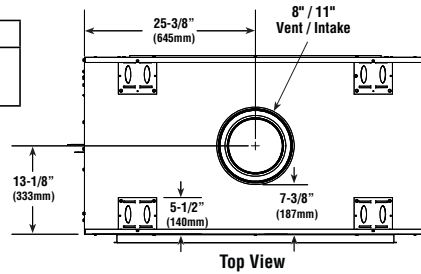


NOTE: For indoor/outdoor installations, the control side of the fireplace must be installed on the indoor side.

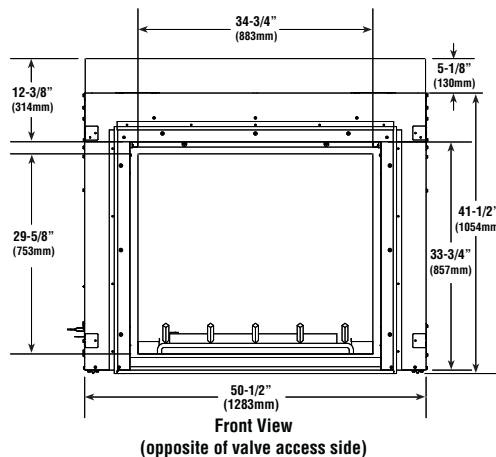
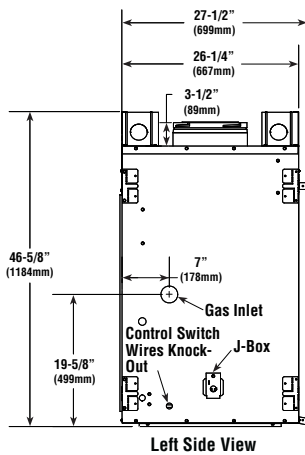
*Insulation is NOT ALLOWED in clearance zones around vent components. Keep this area free from combustible materials.

Wall Finishing

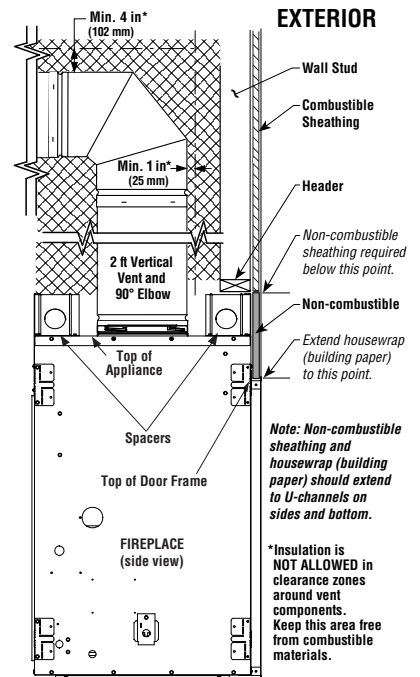
Vent Size	
Co-axial DV Collar on Fireplace -	8" Inner / 11" Outer



Fireplace Dimensions



Unit Dimensions
(Shown with Outdoor Kit Installed)



Note: Non-combustible sheathing and housewrap (building paper) should extend to U-channels on sides and bottom.

*Insulation is NOT ALLOWED in clearance zones around vent components. Keep this area free from combustible materials.

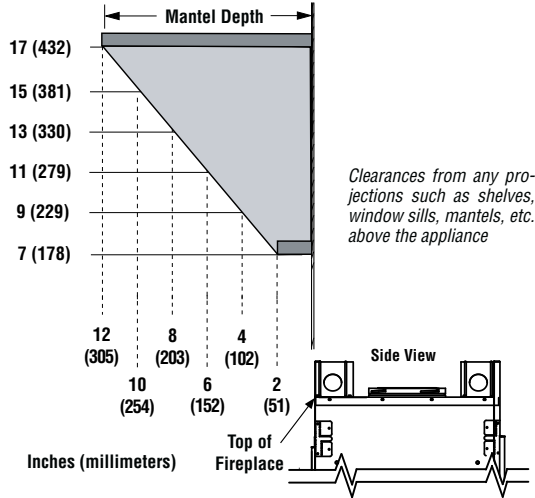
NOTE: DIAGRAMS & ILLUSTRATIONS ARE NOT TO SCALE.

DRT63ST

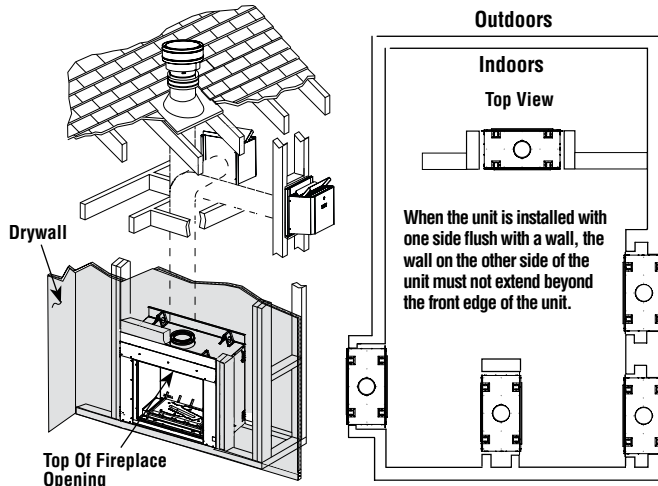
Product Information

Product Reference Information			
Cat. #	Model	Ship. Wt.	Ship. Volume
F2233	DRT63STTEN	382 lb.	51.2 cu. ft.
F2234	DRT63STTEP	382 lb.	51.2 cu. ft.

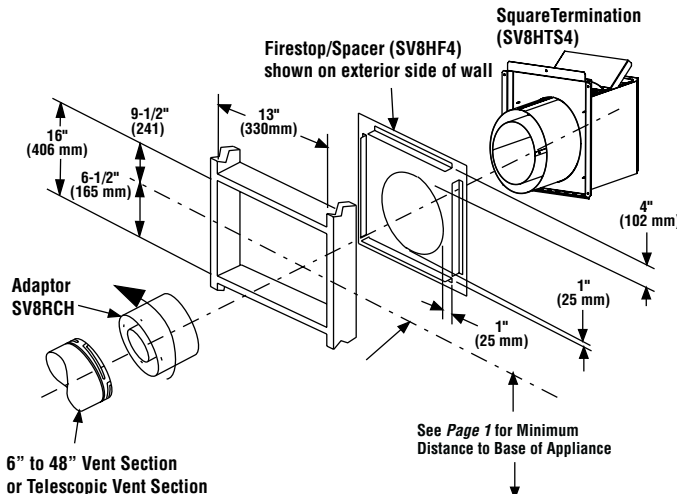
Mantel Clearances



Typical Installations



Horizontal Termination

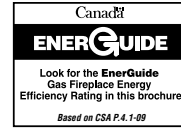


Listing Information

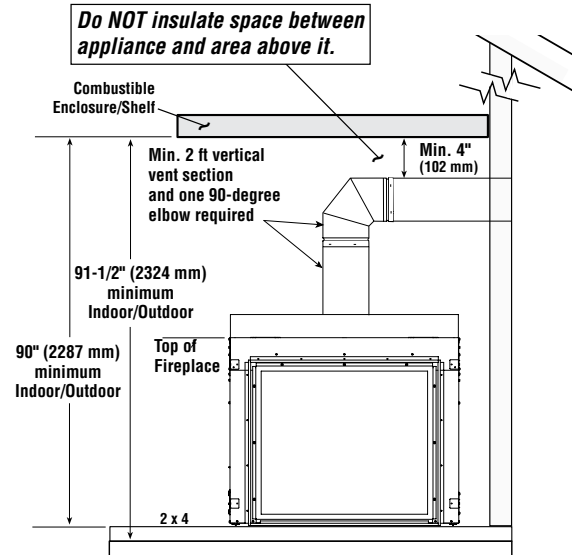
Listed by PFS Corporation to to ANSI Z21.88 (in Canada, CSA-2.33), and CAN/CGA-2.17-M91 (CSA P4.1) in both USA and Canada, as a vented gas fireplace.

PFS
C US
Report No. 14-107

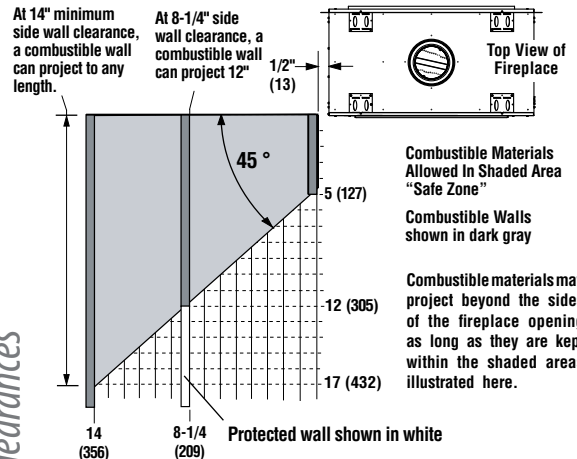
Inputs (BTU/hr)		
Model	Fuel	Inputs (BTU/hr)
DRT63STTEN	NG	40,000 to 60,000
DRT63STTEP	LP	43,500 to 56,000



Shelf Height



Minimum Clearances



Minimum Clearances - Inches (millimeters)	
Back / Sides	0 (0) Spacers
Floor	0 (0)
Bottom of Appliance To Ceiling	72 (1829)
Vent	4 (102) Top, 1 (25) Sides & Bottom
Service Clearances	
Front	36" (914 mm)

NOTE: Diagrams, illustrations and photographs are not to scale – consult installation instructions. Product designs, materials, dimensions, specifications, colors and prices are subject to change or discontinuance without notice.