

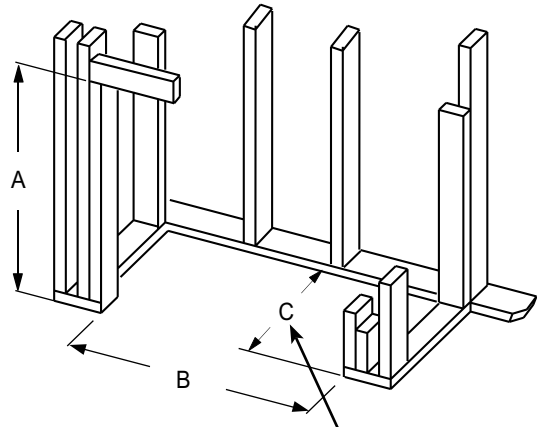
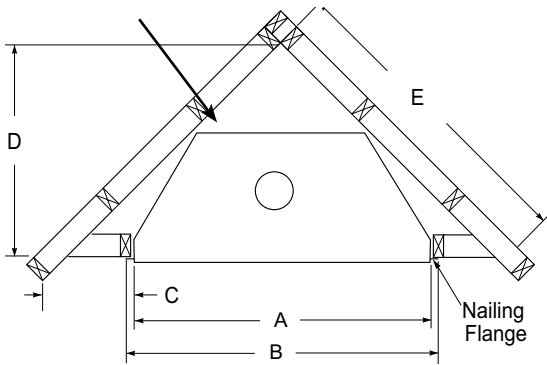
# DRT4036 AND DRT4042 SERIES

## DIRECT-VENT FIREPLACES

Maintain 1" Clearance at Sides and Back of Fireplace

Framing should be constructed of 2x4 or larger material

Framing Dimensions



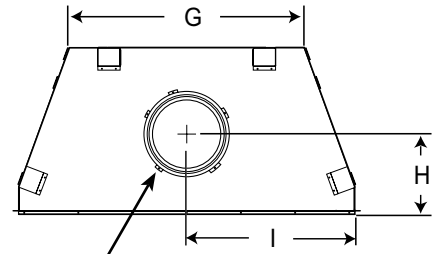
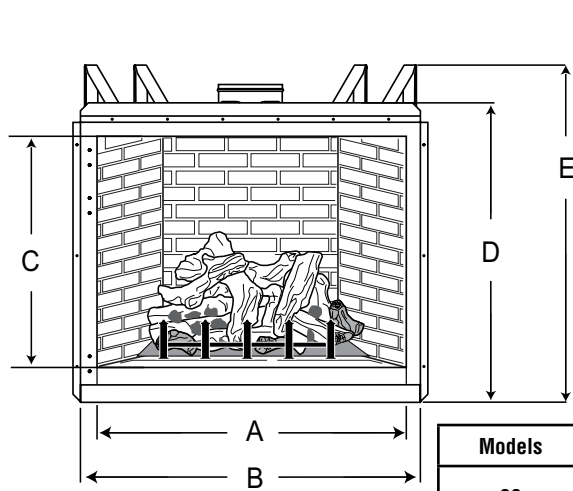
Diagrams, illustrations and photographs are not to scale. Consult installation instructions. Product designs, materials, dimensions, specifications, colors, and prices are subject to change or discontinuance without notice.

C is the required framing depth dimension when the finish material (drywall) thickness is 1/2" (13mm)

Models	A	B	C	D	E
<b>36</b>	41" 1041 mm	43" 1092 mm	15-3/4" 400 mm	36-3/8" 924 mm	51-3/8" 1305 mm
<b>42</b>	48" 1219 mm	50" 1270 mm	19" 483 mm	43-3/8" 1102 mm	61-3/4" 1568 mm

Models	A	B	C
<b>36</b>	44" 1118 mm	41-1/2" 1054 mm	22-1/8" 562 mm
<b>42</b>	48" 1219 mm	48-1/8" 1222 mm	26-1/8" 664 mm

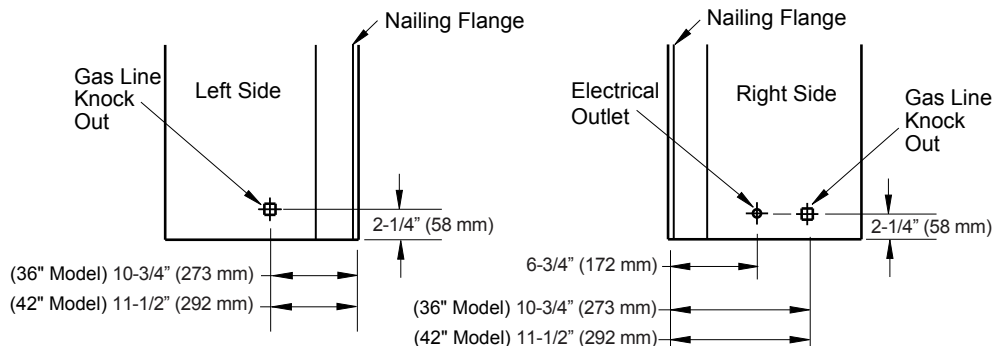
Fireplace Dimensions



Requires IHP 5" (127) I.D.  
8" (203) O.D. Direct-Vent Pipe

Models	A	B	C	D	E	F	G	H	I
<b>36</b>	35" 889 mm	41" 1041 mm	30" 730 mm	40" 1016 mm	44" 1118 mm	21-1/8" 537 mm	29-1/8" 738 mm	11-7/8" 302 mm	20-1/2" 521 mm
<b>42</b>	42" 1067 mm	48" 1219 mm	33-3/4" 857 mm	44" 1118 mm	48" 1219 mm	25-1/8" 638 mm	34-3/4" 883 mm	13-5/8" 347 mm	24" 610 mm

Gas Line Dimensions



# DRT4036 AND DRT4042 SERIES

Product Information

Cat. #	Model	Refractory	Weight	Cu. Ft.
F1322	DRT4036TEN	Herringbone Red	300 lb.	53.3
F1323	DRT4036TEN	Stacked Red	300 lb.	53.3
F1324	DRT4036TEP	Herringbone Red	300 lb.	53.3
F1325	DRT4036TEP	Stacked Red	300 lb.	53.3
F2280	DRT4036TEN	Herringbone White	300 lb.	53.3
F2281	DRT4036TEN	Stacked White	300 lb.	53.3
F2282	DRT4036TEP	Herringbone White	300 lb.	53.3
F2283	DRT4036TEP	Stacked White	300 lb.	53.3

Cat. #	Model	Refractory	Weight	Cu. Ft.
F1326	DRT4042TEN	Herringbone Red	410 lb.	53.3
F1327	DRT4042TEN	Stacked Red	410 lb.	53.3
F1328	DRT4042TEP	Herringbone Red	410 lb.	53.3
F1329	DRT4042TEP	Stacked Red	410 lb.	53.3
F2284	DRT4042TEN	Herringbone White	410 lb.	53.3
F2285	DRT4042TEN	Stacked White	410 lb.	53.3
F2286	DRT4042TEP	Herringbone White	410 lb.	53.3
F2287	DRT4042TEP	Stacked White	410 lb.	53.3



Report No. F09-099

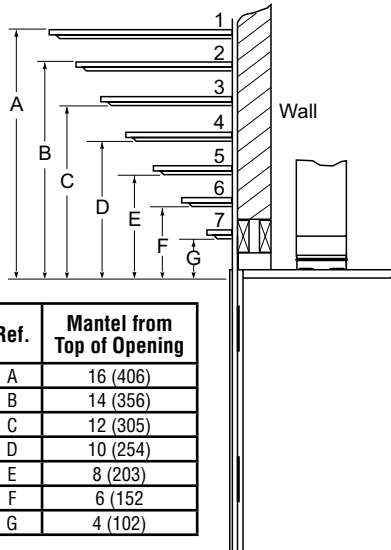
Listed by PFS Corporation to - ANSI Z21.50/CSA 2.22 standard as a vented gas fireplace.

Listing

Clearances

### Mantel Clearance

Ref.	Mantel Depth	Ref.	Mantel from Top of Opening
1	14 (356)	A	16 (406)
2	12 (305)	B	14 (356)
3	10 (254)	C	12 (305)
4	8 (203)	D	10 (254)
5	6 (152)	E	8 (203)
6	4 (102)	F	6 (152)
7	2 (51)	G	4 (102)



### Minimum clearances to combustibles for the fireplace are as follows:

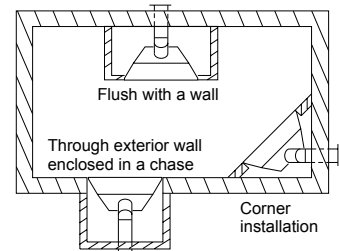
*Back and Sides	1"	26 mm
Perpendicular Walls	6"	153 mm
Floor	0"	0 mm
Ceiling to Louver Opening	42"	1067 mm
Front	36"	915 mm
Top of Standoffs	0"	0 mm

**NOTE:** Combustible material with a thickness of 5/8" (16 mm) may be flush with the top of the fireplace.

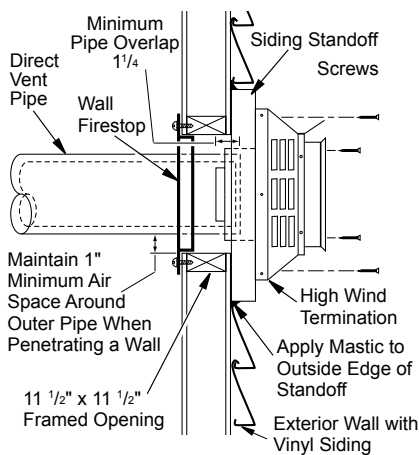
\* For back and sides of fireplace, do not pack with insulation or other materials. 1" (26 mm) clearance not required at nailing flanges.

See venting instructions for specific venting clearances.

### Locations



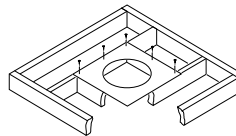
### Horizontal Termination



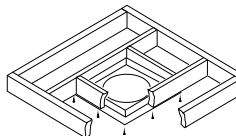
Uses 5" / 8" Direct-Vent Coaxial Chimney

### Firestop

If area above is an attic or insulated area, install firestop above framed hole.



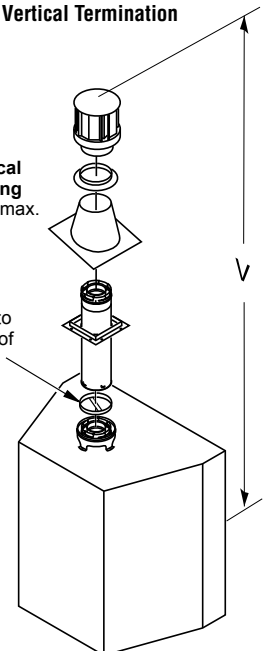
If area above is a living space, install firestop below framed hole.



### Vertical Termination

Vertical Venting  
V = 40' max.

**Note:** Install Restrictor into Inner Collar of Fireplace as Shown



Venting

NOTE: DIAGRAMS & ILLUSTRATIONS ARE NOT TO SCALE.