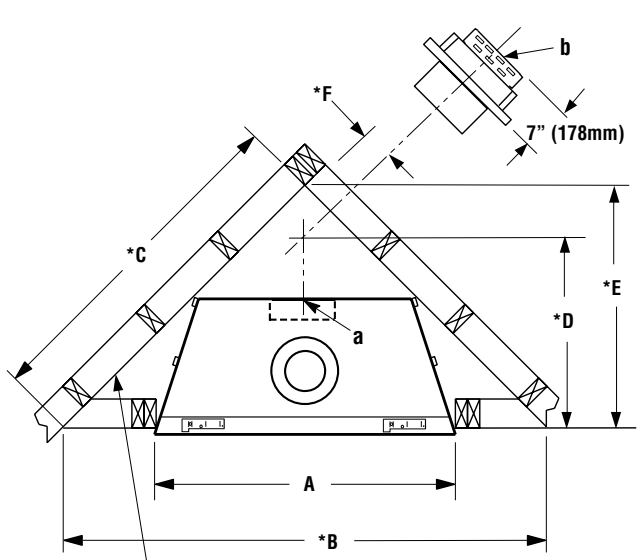


DRT4000 SERIES

DIRECT-VENT FIREPLACES

Framing Dimensions

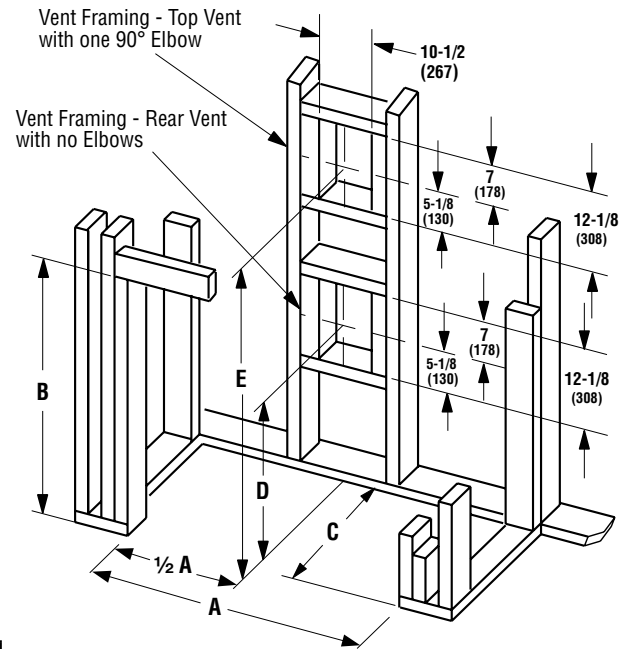


Back wall of chase/enclosure (including any finishing materials)

Models	A	B	C	D	E	F
40" Models	40-3/8" 1026 mm	67-3/4" 1721 mm	47-7/8" 1216 mm	25-3/4" 654 mm	33-7/8" 861 mm	5-3/4" 146 mm
45" Models	45-3/8" 1153 mm	72-3/4" 1848 mm	51-1/2" 1308 mm	25-1/8" 638 mm	36-3/8" 924 mm	7-1/2" 191 mm

* These dimensions occur when one 45° elbow is connected directly to the appliance collar.

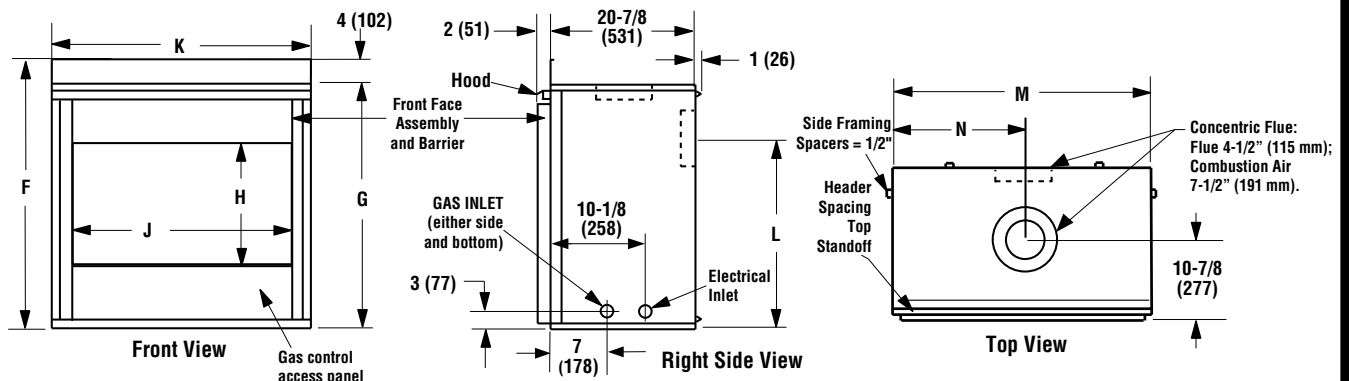
Diagrams, illustrations and photographs are not to scale. Consult installation instructions. Product designs, materials, dimensions, specifications, colors, and prices are subject to change or discontinuance without notice.



Models	A	B	C	D	E
40" Models	40-3/8" 1026 mm	41-1/4" 1048 mm	24" 610 mm	27-1/2" 699 mm	43-5/8" 1108 mm
45" Models	45-3/8" 1153 mm	41-1/4" 1048 mm	24" 610 mm	27-1/2" 699 mm	43-5/8" 1108 mm

Fireplace Dimensions

Models	F	G	H	J	K	L	M	N
40" Models	41-1/8" 1045 mm	37-1/8" 943 mm	24" 610 mm	34-1/2" 877 mm	40-1/8" 1020 mm	27-1/2" 699 mm	26-1/2" 674 mm	13-3/4" 350 mm
45" Models	41-1/8" 1045 mm	37-1/8" 943 mm	24" 609 mm	39-1/2" 1004 mm	45-1/8" 1147 mm	27-1/2" 699 mm	31-1/2" 801 mm	15-3/4" 400 mm



NOTE: DIAGRAMS & ILLUSTRATIONS ARE NOT TO SCALE.

DRT4000 SERIES

Product Information

Cat. No.	Model	Weight	Cu. Ft.
F1312	DRT4040DMN	184 lb.	26.6
F1313	DRT4040DMP	184 lb.	26.6
F1314	DRT4040DEN	184 lb.	26.6
F1309	DRT4045DMN	202 lb.	33.1
F1310	DRT4045DMP	202 lb.	33.1
F1311	DRT4045DEN	202 lb.	33.1

Listing Information

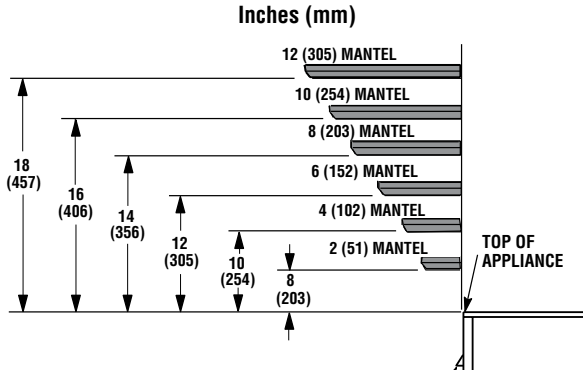


Report No. F14-170

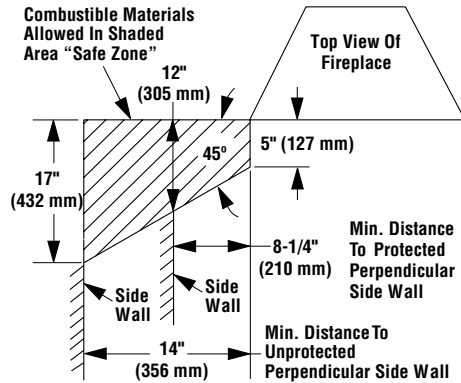
Listed by PFS Corporation to - ANSI Z21.88 (in Canada, CSA-2.33), and CAN/CGA-2.17-M91 in both USA and Canada, as a vented gas fireplace heater.

Clearances

Mantel Clearance



Side Wall Clearance



Shelf Height

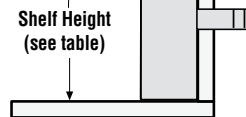
All Models	Combustible Shelf Height - Inches (millimeters)	
	Secure Vent®	Secure Flex® (flex elbow)
Top Vent	*50-1/2 (1283)	*52-1/4 (1327)
Rear Vent	*40-1/4 (1022)	*40-1/4 (1022)

* Includes 3" clearance to combustibles (required above vent components)

Specifications and clearances are subject to change without notice. Refer to Installation and Operation Manual before installation of these appliances for updated dimensions and instructions.

NOTE: DIAGRAMS & ILLUSTRATIONS ARE NOT TO SCALE.

Do not insulate the space between the appliance and the area above it.



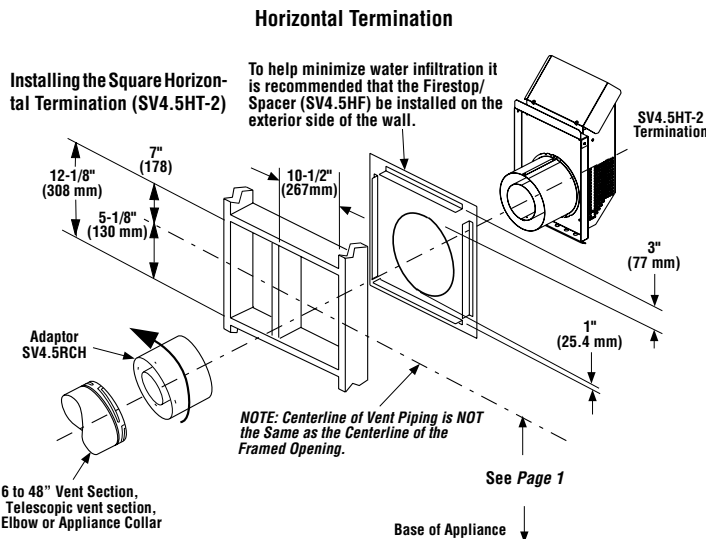
Shelf Above Fireplace With Rear Venting

Do not insulate the space between the appliance and the area above it.

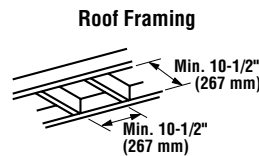
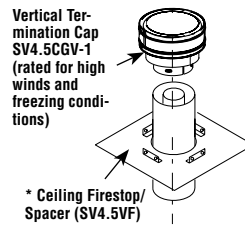
Shelf Height (see table)

Shelf Above Fireplace With Top Venting

Venting



Vertical Termination



Uses 4.5" / 7.5" Secure Vent® Rigid and Secure Flex® Direct-Vent Components

Typical Installations

