

DRT3000 SERIES

 PRO SERIES DIRECT VENT GAS FIREPLACES



Superior
FIREPLACES®
Our name is our promise.



TRADITIONAL

Modest yet refined, the new and exciting DRT3000 Series fireplaces provide undeniable value and quality. Outfitted with multiple features, outstanding performance and easy installation, the DRT3000 Series is a wise choice for any home.



FEATURED DRT3000 shown with standard Black Painted interior

FEATURES

- 🔥 Available in 33", 35", 40" and 45" clean-faced models
- 🔥 Combo top/rear flue configuration (33" model is a dedicated top or rear)
- 🔥 Millivolt or electronic ignition for seamless battery backup operation in the event of a power outage (IPI/CPI switch standard)
- 🔥 Wall switch provides variable flame settings (electronic models only)
- 🔥 Outstanding heating efficiency for increased comfort and lower operating costs
- 🔥 Standard tempered glass and 2015 ANSI barrier compliant
- 🔥 Detailed ceramic fiber "aged oak" log set with 1/2" heavy-duty grate
- 🔥 Black painted interior (optional ceramic fiber liners available)
- 🔥 Durable textured powder coat finish
- 🔥 Optional blower and remote control available for all models
- 🔥 20 year limited warranty



FEATURED DRT3000 shown with optional Vintage Red Stacked Liner

INTERIOR

(Optional)

Choose from three optional ceramic liners (Black Painted is standard).



Black Painted Interior
(Standard)



Buff
Stacked Liner



Vintage Red Stacked
Liner



Old Town Red
Herringbone Liner

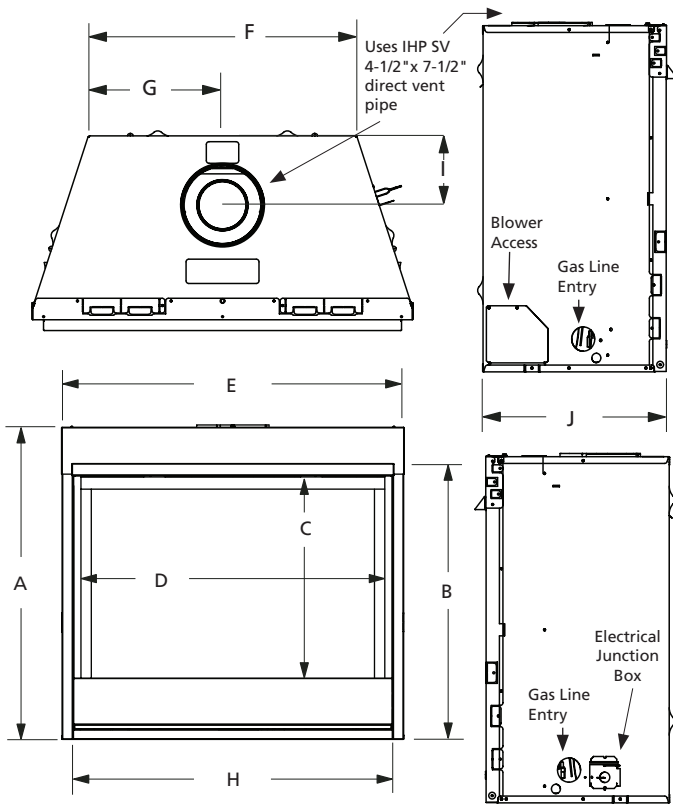
ADDITIONAL ACCESSORIES

- A.** Choice of blower with multiple control options
- B.** Remote & wall mounted controls



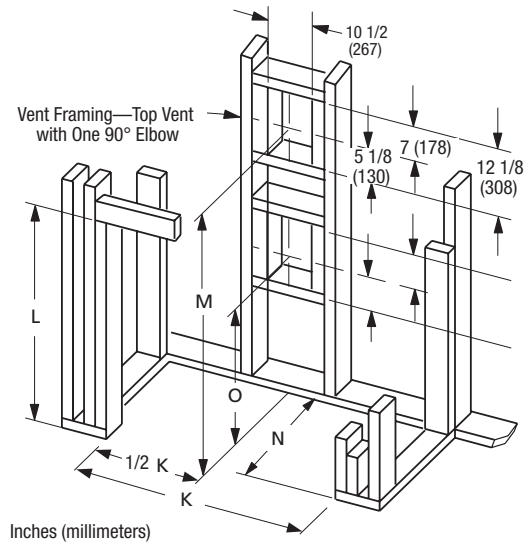
Optional Touch Remote

APPLIANCE SPECIFICATIONS



	DRT3033	DRT3035	DRT3040	DRT3045
A	30-1/8"	32-1/8"	37-1/8"	37-1/8"
B	26-1/4"	28-3/4"	33-1/4"	33-1/4"
C	18-5/16"	22-1/4"	27-1/4"	27-1/4"
D	30-1/2"	32-3/8"	37-3/8"	42-3/8"
E	33-5/8"	35-1/4"	40-1/4"	45-1/4"
F	21-7/8"	25"	30"	35"
G	10-15/16"	12-1/2"	15"	17-1/2"
H	31"	32-7/8"	37-7/8"	42-7/8"
I	5-3/4"	6-7/8"	6-7/8"	6-7/8"
J	14"	17"	17"	17"

FRAMING SPECIFICATIONS



	DRT3033	DRT3035	DRT3040	DRT3045
K	33-3/4"	35-3/8"	40-3/8"	45-3/8"
L	34-1/4"*	36-1/4"*	41-1/4"*	41-1/4"*
M	36-7/8"	38-3/4"	43-3/4"	43-3/4"
N	14-1/2"	18"	18"	18"
O	19-5/8"	23-3/8"	28-1/4"	28-1/4"

* Includes 4" for fold-up standoffs

FIREPLACE EFFICIENCIES

MODEL	FUEL	BTU/HR	AFUE**	P4 / ENERGUIDE*
DRT3033	NG	14,000	65%	60.0% / 63.0%
DRT3033	LP	13,000	65%	60.0% / 63.0%
DRT3035	NG	16,000	66%	61.0% / 63.0%
DRT3035	LP	15,000	66%	61.0% / 63.0%
DRT3040	NG	20,000	66%	61.0% / 63.0%
DRT3040	LP	19,000	66%	61.0% / 63.0%
DRT3045	NG	21,500	67%	61.0% / 63.0%
DRT3045	LP	21,500	67%	61.0% / 63.0%

*Intermittent ignition systems. Millivolt/Electronic.

**Annual Fuel Utilization Efficiency (AFUE) is the recognized U.S. rating system for the total efficiency of heating products.

On the cover: DRT3035 shown with standard black painted interior

IMPORTANT NOTES:

As with any fireplace, this appliance is extremely hot during operation. Read and understand all operating instructions before using this appliance. For further information, consult your dealer.

Local conditions, such as elevation, wind, vent configuration and choice of fuel will affect overall appearance of the fire and heating performance. Performance can also vary with home design and insulation, climate, condition and type of fuel used, appliance location, burn rate, accessories chosen, chimney installation and how the appliance is operated.

Diagrams, illustrations and photographs are not to scale—consult installation instructions. Product designs, materials, dimensions, specifications, colors and prices are subject to change or discontinuance without notice.



Approved for use with European Copper and Chimney Classics chimney tops, which improve performance and add an elegant touch.



© 2015 Innovative Hearth Products

785590M 06/15

Visit us online



SuperiorFireplaces.us.com

