



P/N 900343-01 Rev. C 11/2015

Ce manuel est disponible en français, simplement en faire la demande. Numéro de la pièce 900343-03



P900343-01



Report No. F14-106

Installation and Operation Instructions

DRT/DRC6300 Series 40 and 45 in. Direct Vent Gas Fireplaces

Models

DRT6345TEN
DRT6345TEP
DRC6345TEN
DRC6345TEP

DRT6340TEN
DRT6340TEP
DRC6340TEN
DRC6340TEP

INSTALLER: Leave this manual with the appliance.
CONSUMER: Retain this manual for future reference.

Installateur : Laissez cette notice avec l'appareil.
Consommateur : Conservez cette notice pour consultation ultérieure.

This appliance may be installed in an aftermarket permanently located, manufactured home (USA only) or mobile home, where not prohibited by local codes. This appliance is only for use with the type of gas indicated on the rating plate. This appliance is not convertible for use with other gases, unless a certified kit is used.

Cet appareil peut être installé dans une maison préfabriquée (mobile) déjà installée à demeure, si les règlements locaux le permettent. Ce appareil doit être utilisé uniquement avec le type de gaz indiqué sur la plaque signalétique. Cet appareil ne peut être converti à d'autres gaz, sauf si une trousse de conversion est utilisée.

WARNING:

FIRE OR EXPLOSION HAZARD

Failure to follow safety warnings exactly could result in serious injury, death, or property damage.

- Do not store or use gasoline or other flammable vapors and liquids in the vicinity of this or any other appliance.
- **WHAT TO DO IF YOU SMELL GAS**
 - Do not try to light any appliance.
 - Do not touch any electrical switch; do not use any phone in your building.
 - Leave the building immediately.
 - Immediately call your gas supplier from a neighbor's phone. Follow the gas supplier's instructions.
 - If you cannot reach your gas supplier, call the fire department.
- Installation and service must be performed by a qualified installer, service agency or the gas supplier.

AVERTISSEMENT:

RISQUE D'INCENDIE OU D'EXPLOSION

Le non-respect des avertissements de sécurité pourrait entraîner des blessures graves, la mort ou des dommages matériels.

- Ne pas entreposer ni utiliser d'essence ni d'autres vapeurs ou liquides inflammables dans le voisinage de cet appareil ou de tout autre appareil.
- **QUE FAIRE SI VOUS SENTEZ UNE ODEUR DE GAZ:**
 - Ne pas tenter d'allumer d'appareil.
 - Ne touchez à aucun interrupteur. Ne pas vous servir des téléphones se trouvant dans le bâtiment où vous trouvez.
 - Sortez immédiatement de bâtiment.
 - Appelez immédiatement votre fournisseur de gaz depuis un voisin. Suivez les instructions du fournisseur.
 - Si vous ne pouvez rejoindre le fournisseur de gaz, appelez le service des incendies.
- L'installation et l'entretien doivent être assurés par un installateur ou un service d'entretien qualifié ou par le fournisseur de gaz.

SAFETY AND YOUR FIREPLACE

See attached color flyer for proper color representation



DANGER



**HOT GLASS WILL
CAUSE BURNS.
DO NOT TOUCH GLASS
UNTIL COOLED.
NEVER ALLOW CHILDREN
TO TOUCH GLASS.**

A barrier designed to reduce the risk of burns from the hot viewing glass is provided with this appliance and shall be installed for the protection of children and other at-risk individuals.

Voir ci-joint tract pour une bonne représentation de la couleur



DANGER



**VITRE CHAUDE
RISQUE DE BRÛLURES.
NE TOUCHEZ PAS UNE VITRE
NON REFROIDIE.
NE LAISSEZ JAMAIS UN ENFANT
DE TOUCHER LA VITRE.**

L'écran pare-étincelles fourni avec ce foyer réduit le risque de brûlure en cas de contact accidentel avec la vitre chaude et doit être installé pour la protection Des enfants et Des personnes à risques.

Vea el volante adjunto para la representación de color adecuado



PELIGRO



**EL VIDRIO CALIENTE
CAUSARÁ QUEMADURAS.
USTED DEBE **NUNCA**
TOCAR EL VIDRIO CALIENTE.
LOS NIÑOS DEBEN **NUNCA**
TOCAR EL VIDRIO.**

Una barrera diseñada para reducir el riesgo de quemaduras desde la mirilla (vidrio) caliente es proveida con este aparato y deberá instalarse para la protección de los niños y otros individuos en riesgo.

Safety and Your Fireplace

**All parts of your
IHP fireplace get
EXTREMELY HOT!**

- To prevent severe burns and injuries, do Not remove the barrier on the appliance which prevents direct contact with the glass.
- Follow the safety instructions below and be sure everyone in your household understands this burn hazard:
- **The surfaces on your fireplace get EXTREMELY HOT!**
- **The glass on the front of the fireplace reaches EXTREMELY HIGH temperatures and can cause severe burns if touched.**
- **Keep children away from an operating fireplace. Closely supervise children in any room where a fireplace is operating to prevent contact with glass.**
- **Keep clothing, furniture, gasoline, and other flammable liquids away from the fireplace.**
- **Even after the gas is turned off, fireplace surfaces remain extremely hot.**
- Be sure to attach the enclosed **Safety-in-Operation Warnings** where you turn on your fireplace, to help remind everyone of the dangers associated with high temperatures (**Page 44**).
- Read **Important Safety Information (Page 5)**.



La sécurité et votre foyer

**Toutes les parties de votre
foyer IHP deviennent
EXTRÊMEMENT CHAUDES !**

- Afin d'éviter les brûlures graves ou les blessures, ne pas retirer l'écran de protection de la foyer qui empêche tout contact direct avec la vitre.
- Suivez les instructions de sécurité ci-dessous et veillez à ce que tous les membres de votre famille soient conscients du danger de brûlure encouru :
- **Les surfaces de votre foyer deviennent EXTRÊMEMENT CHAUDES !**
- **La vitre située à l'avant du foyer atteint des températures EXTRÊMEMENT ÉLEVÉES et peut causer de graves blessures en cas de contact.**
- **Tenez les enfants à l'écart du foyer lorsqu'il fonctionne. Surveillez attentivement les enfants dans les pièces où un foyer est utilisé afin d'éviter qu'ils ne soient en contact avec la vitre.**
- **Tenez tous les vêtements, les meubles, l'essence et tout autre liquide inflammable à l'écart du foyer.**
- **Même après fermeture du gaz, les surfaces du foyer restent extrêmement chaudes.**
- Veillez à coller les **Étiquettes de mise en garde relatives à la sécurité d'utilisation** à l'endroit où vous utilisez le foyer, pour rappeler à tous les utilisateurs les dangers liés aux températures élevées (**Page 44**).
- Lisez **L'information de sûreté importante (Page 5)**.



Seguridad y su chimenea

**¡Todas las partes de la
chimenea IHP se ponen
MUY CALIENTES!**

- Para evitar quemaduras y lesiones graves, no quite el protector de malla o guardia de seguridad que evita el contacto directo con el vidrio.
- Siga las instrucciones de seguridad a continuación y asegúrese de que todos en su hogar sepan acerca de este peligro de quemadura:
- **¡Las superficies de la chimenea se ponen MUY CALIENTES!**
- **El vidrio delante de la chimenea alcanza temperaturas EXTREMADAMENTE ALTAS y puede causar quemaduras graves si se toca.**
- **Mantenga a los niños alejados de la chimenea en funcionamiento. Supervise en forma cercana a los niños en cualquier cuarto donde haya una chimenea funcionando para impedir el contacto con el vidrio.**
- **Mantenga la ropa, mobiliario, gasolina y otros líquidos inflamables alejados de la chimenea.**
- **Aún después de haber apagado el gas, las superficies de la chimenea permanecen extremadamente calientes.**
- Asegúrese de colocar las **Etiquetas de advertencia de seguridad de operación** en el lugar donde enciende la chimenea, para que todos recuerden los peligros asociados con las altas temperaturas (**Página 44**).
- Lea **Información importante de seguridad (Página 5)**.

[ENGLISH]

[FRENCH]

[SPANISH]

TABLE OF CONTENTS

Packaging	4
Introduction	4
General Information	5
Massachusetts Requirements	6
Cold Climate Insulation	7
Manufactured Home Requirements	7
Location	7
Vent Termination Clearances	8
Minimum Clearances to Combustibles	10
Detailed Installation Steps	11
Typical Installation Sequence	11
Step 1. Framing	11
Fireplace and Framing Specifications	12
Step 2. Routing Gas Line	13
Proper Sizing of Gas Line	13
Step 3. Install the Vent System	14
Vertical Termination Systems	15
Vent Section Length Chart	15
Vertical Vent Tables and Figures	18
Horizontal Termination System	19
Horizontal Vent Tables and Figures	21
Step 4. Field Wiring	23
Step 5. Removing Glass Door	
Frame Assembly	25
Step 6. Connecting Gas Line	25
Step 7. Checking Appliance	
Operation	25
Step 8. Installing Logs and Panels	26
Step 9. Installing Glass Door	28
Step 10. Burner Adjustments	28
Finishing Requirements	30
Step 11. Attaching Safety-in-	
Operation Warnings	31
Installation Accessories	32
Gas Conversion Kits	33
Operation And Care Of Your Appliance	35
Maintenance	40
Front Glass Enclosure Panel, Removal, and	
Installation	41
Log, Volcanic Stone, and Glowing Ember	
Placement	42
Burner Adjustments	44
Flame Appearance and Sooting	44
Burner Air Shutter Adjustment	45
Electronic Appliance Checkout	45
Ordering Replacement Parts	46
Wiring	46
Accessory Components	47
Lighting Instructions	49
Maintenance Schedule	51
Troubleshooting Guide	52
Replacement Parts List	53
Warranty	55

Please read and understand these instructions before beginning your installation.



We recommend that our gas hearth products be installed and serviced by professionals who are certified in the U.S. by the National Fireplace Institute® (NFI) as NFI Gas Specialists.

PACKAGING

The assembled fireplace is packaged with the following:

- **Literature Kit** (plastic bag shipped inside firebox), containing *Installation and Operation Manual* (this manual), Safety Flyer, Glass and Barrier Flyer and Safety-in-Operation Warning Labels.
- One (1) bag **Glowing Embers**
- One (1) bag **Platinum Embers**
- One (1) bag **Volcanic Stone**
- **Remote Control and Wall Receiver Switch Kit**
- **Door Modesty Shield**
- **Log Grate**

NOTE: For use with fireplace as shipped from factory only. Not for use with Contemporary Burner/Floor Kit.

REQUIRED ACCESSORIES

One of the following **Firebox Liner Kits**:

- Ceramic Firebox Liner Kit—Buff Rustic**
- Ceramic Firebox Liner Kit—Red Rustic**
- Porcelain Firebox Liner Kit—Black**
- Ceramic Firebox Liner Kit—Red Herringbone**
- Ceramic Firebox Liner Kit—Buff Herringbone**

NOTE: Porcelain kits include side and back panels. Optional for use with log sets. Required when using the contemporary burner/floor kit.

NOTE:

- **IF THE BARRIER BECOMES DAMAGED, THE BARRIER SHALL BE REPLACED WITH THE MANUFACTURER'S BARRIER FOR THIS APPLIANCE.**
- **FOR USE WITH BARRIER(S) PART NO(S). J7422 (40" MODELS) AND J7423 (45" MODELS).**

INTRODUCTION

The **DRT/DRC6300 Series** direct-vent, sealed-combustion gas fireplaces operate on natural or propane gas. These appliances feature a remotely controlled electronic intermittent pilot ignition system (manual adjustment of the gas valve settings is not possible).

The DRT/DRC6300 Series is a decorative fireplace and may not be installed and operated as the primary heat source in a dwelling.

Electrical power (120 VAC line voltage) is recommended to operate the fireplace; however, four (4) "AA" batteries can be used for full-time operation or as a backup in case of a power outage.

Approved Vent Components

These fireplaces are designed, tested, and listed for operation and installation with **Secure Vent®** direct vent system components (8" inner, 11" outer) manufactured by Innovative Hearth Products.

These approved vent system components are labeled for identification. **USE ONLY APPROVED VENT COMPONENTS. Do NOT use any other manufacturer's vent components with these appliances.**

Codes and Standards

These appliances comply with National Safety Standards and are tested and listed by PFS Corporation (Report No. F14-106) to Z21.50 (in Canada, CSA-2.22), and CAN/CGA-2.17-M91 in both USA and Canada, as vented gas fireplaces.

These appliances are listed by PFS Corporation for installation in bedrooms and mobile homes.

Installation must conform to local codes. In the absence of local codes, installation must comply with the current National Fuel Gas Code, ANSI Z223.1 (in Canada, the current CAN/CGA-B149.1 installation code).

The appliance, when installed, must be electrically grounded in accordance with local codes or, in the absence of local codes, with the National Electrical Code, ANSI/NFPA 70 (latest edition) or the Canadian Electrical Code, CSA C22.1 (latest edition).

GENERAL INFORMATION

WARNING

Young children should be carefully supervised when they are in the same room as the appliance. Toddlers, young children and others may be susceptible to accidental contact burns. A physical barrier is recommended if there are at risk individuals in the house. To restrict access to a fireplace or stove, install an adjustable safety gate to keep toddlers, young children and other at risk individuals out of the room and away from hot surfaces.

AVERTISSEMENT

Les jeunes enfants devraient être surveillés étroitement lorsqu'ils se trouvent dans la même pièce que l'appareil. Les tout petits, les jeunes enfants ou les adultes peuvent subir des brûlures s'ils viennent en contact avec la surface chaude. Il est recommandé d'installer une barrière physique si des personnes à risques habitent la maison. Pour empêcher l'accès à un foyer ou à un poêle, installez une barrière de sécurité; cette mesure empêchera les tout petits, les jeunes enfants et toute autre personne à risque d'avoir accès à la pièce et aux surfaces chaudes.

Children and adults should be alerted to the hazards of high surface temperature and should stay away to avoid burns or clothing ignition.

Les enfants et les adultes devraient être informés des dangers que posent les températures de surface élevées et se tenir à distance afin d'éviter des brûlures ou que leurs vêtements ne s'enflamment.

DO NOT ATTEMPT TO ALTER OR MODIFY THE CONSTRUCTION OF THE APPLIANCE OR ITS COMPONENTS. ANY MODIFICATION OR ALTERATION MAY VOID THE WARRANTY, CERTIFICATION AND LISTINGS OF THIS UNIT.

WARNING

Improper installation, adjustment, alteration, service or maintenance can cause injury or property damage. Refer to this manual. For assistance or additional information consult a qualified installer, service agency or the gas supplier.

WARNING

Failure to comply with these installation instructions will result in an improperly installed and operating appliance, voiding its warranty. Any change to this appliance and/or its operating controls is dangerous.

WARNING

Clothing or other flammable material should not be placed on or near the appliance.

AVERTISSEMENT

On ne devrait pas placer de vêtements ni d'autres matières inflammables sur l'appareil ni à proximité.

WARNING

Any safety screen or guard removed for servicing the appliance must be replaced prior to operating the appliance.

AVERTISSEMENT

Tout écran ou protecteur retiré pour permettre l'entretien de l'appareil doit être remis en place avant de mettre l'appareil en marche.

WARNING

Improper installation or use of this appliance can cause serious injury or death from fire, burns, explosion or carbon monoxide poisoning.

Installation and repair should be done by a qualified service person. The appliance should be inspected before use and at least annually by a professional service person. More frequent cleaning may be required due to excessive lint from carpeting, bedding material, etcetera. It is imperative that control compartments, burners and circulating air passageways of the appliance be kept clean.

L'installation et la réparation devrait être confiées à un technicien qualifié. L'appareil devrait faire l'objet d'une inspection par un technicien professionnel avant d'être utilisé et au moins une fois l'an par la suite. Des nettoyages plus fréquents peuvent être nécessaires si les tapis, la literie, et cetera produisent une quantité importante de poussière. Il est essentiel que les compartiments abritant les commandes, les brûleurs et les conduits de circulation d'air de l'appareil soient tenus propres.

Do not use this appliance if any part has been under water. Immediately call a qualified service technician to inspect the appliance and to replace any parts of the control system and any gas control which have been under water.

Ne pas se servir de cet appareil s'il a été plongé dans l'eau, complètement ou en partie. Appeler un technicien qualifié pour inspecter l'appareil et remplacer toute partie du système de contrôle et toute commande qui ont été plongés dans l'eau.

Only trim kit(s) supplied by the manufacturer shall be used in the installation of this appliance.

Seules les trousse de garniture fournies par le fabricant doivent être utilisées pour l'installation de cet appareil.

Provide adequate clearances around air openings and adequate accessibility clearance for service and proper operation. Never obstruct the front openings of the appliance.

These appliances are designed to operate on natural or propane gas only. The use of other fuels or combination of fuels will degrade the performance of this system and may be dangerous.

These appliances must not be connected to a chimney or flue serving a separate solid fuel burning appliance.

NOTICE

If the barrier becomes damaged, the barrier shall be replaced with the manufacturer's barrier for this appliance.

These electronic appliances are remotely controlled and feature an electronic intermittent pilot ignition system or standing pilot. External electrical power is required to operate these units.

These electronic models come standard with a remotely-modulated gas valve; flame appearance and heat output cannot be controlled at the gas valve. The BTU Input for these appliances is shown in **Table 1**.

Input (BTU/HR)	
Model	Input (BTU/Hr)
Natural Gas	
40 in.	32,000 to 50,000
45 in.	40,000 to 57,000
Propane Gas	
40 in.	32,000 to 50,000
45 in.	43,000 to 56,000

Table 1

Gas Pressure—All Models

Appliance inlet and manifold gas pressure requirements are listed in **Tables 2 and 3**.

Inlet Gas Supply Pressure		
Fuel #	Minimum	Maximum
Natural Gas	5.5" WC (1.37 kPa)	10.5" WC (2.61 kPa)
Propane	11.0" WC (2.74 kPa)	13.0" WC (3.23 kPa)

Table 2

Manifold Gas Supply Pressure		
Fuel #	Low	High
Natural Gas	1.6" WC (.4 kPa)	3.5" WC (.87 kPa)
Propane	6.3" WC (1.57 kPa)	10.0" WC (2.49 kPa)

Table 3

Test gauge connections are provided on the front of the gas control valve (identified IN for the inlet and OUT for the manifold side).

Propane tanks are at pressures that will cause damage to valve components. Verify that the tanks have step-down regulators to reduce the pressure to safe levels.

The appliance and its appliance main gas valve must be disconnected from the gas supply piping system during any pressure testing of that system at test pressures **in excess of** 1/2 psi (3.5 kPa).

The appliance must be isolated from the gas supply piping system by closing its equipment shutoff valve during any pressure testing of the gas supply piping system at test pressures **equal to or less than** 1/2 psi (3.5 kPa).

Orifice Sizes—Sea Level To High Altitude (All Models)

These appliances are tested and approved for installation at elevations of 0–4500 feet (0–1372 meters) above sea level, using the standard burner orifice sizes (marked with an asterisk (*) in **Table 4**). For elevations above 4500 feet, contact your gas supplier or qualified service technician.

Deration—At higher elevations, the amount of BTU fuel value delivered must be reduced by either:

- using gas that has been derated by the gas company; or
- changing the burner orifice to a smaller size as regulated by the local authorities having jurisdiction and by the (USA) National Fuel Gas Code NFPA 54/ANSI Z223.1—latest edition or, in Canada, the CAN/CGA-B149.1 codes—latest edition.

Install the appliance according to the regulations of the local authorities having jurisdiction and, in the USA, the National Fuel Gas Code NFPA 54 / ANSI Z223.1—latest edition or, in Canada, the CAN/CGA-B149.1- latest edition.

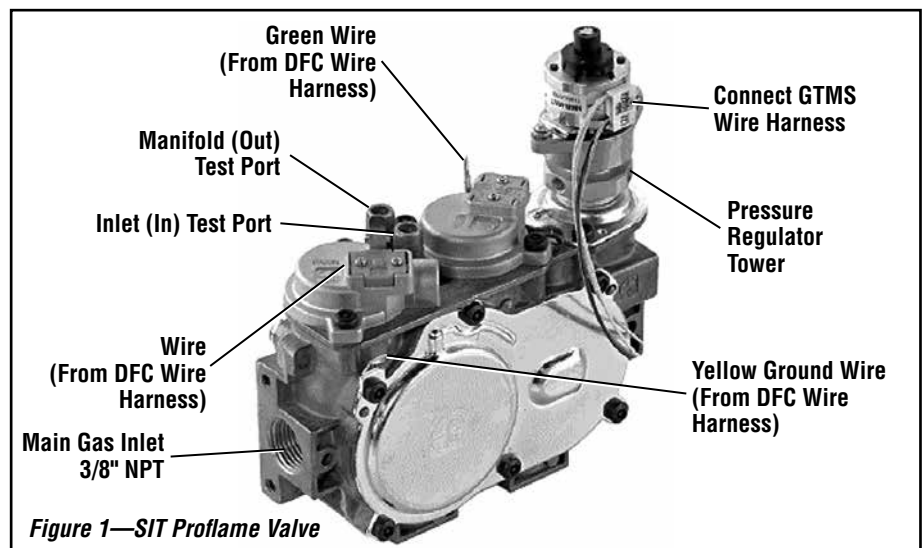
NOTE: Flame appearance will diminish 4% per thousand feet of altitude.

Burner Orifice Sizes Elevation 0–4500 ft (0–1372 m)			
Model		Nat. Gas drill size (inches)	Propane drill size (inches)
Traditional	40"	0.1405" (#28)* • H2286	0.082" (#45)* • J8002
	45"	0.150" (#25)* • J8001	0.086" (#44)* • H2287
Contemporary	40" CD	0.1405" (#28)* • H2286	0.073" (#49)* • H8807
	45" CD	0.150" (#25)* • J8001	0.073" (#49)* • H8807

Table 4 * Standard size installed at factory
• Part/Cat. Number

Gas Valve Diagram

The SIT Proflame gas valve is shown in **Figure 1**.



In Canada - CAN/CGA-2.17-M91 (R2009) (high altitude):

THE CONVERSION SHALL BE CARRIED OUT BY A MANUFACTURER'S AUTHORIZED REPRESENTATIVE, IN ACCORDANCE WITH THE REQUIREMENTS OF THE MANUFACTURER, PROVINCIAL OR TERRITORIAL AUTHORITIES HAVING JURISDICTION AND IN ACCORDANCE WITH THE REQUIREMENTS OF THE CAN/CGA-B149.1 OR CAN/CGA-B149.2 INSTALLATION CODES.

COMMONWEALTH OF MASSACHUSETTS REQUIREMENTS

These appliances are approved for installation in the US state of Massachusetts if the following additional requirements are met:

- Install this appliance in accordance with Massachusetts Rules and Regulations 248 C.M.R. Sections 4.00 through 8.00.
- Installation and repair must be done by a plumber or gas fitter licensed in the Commonwealth of Massachusetts.
- The flexible gas line connector used shall not exceed 36 inches (92 centimeters) in length.
- The individual manual shut-off must be a T-handle type valve.

Massachusetts Horizontal Vent Requirements In the Commonwealth of Massachusetts, horizontal terminations installed less than seven (7) feet above the finished grade must comply with the following additional requirements:

- A hard wired carbon monoxide detector with an alarm and battery back-up must be installed on the floor level where the gas fireplace is installed. The carbon monoxide detector must comply with NFPA 720, be ANSI/UL 2034 listed and be ISA certified.

- A metal or plastic identification plate must be permanently mounted to the exterior of the building at a minimum height of eight (8) feet above grade and be directly in line with the horizontal termination. The sign must read, in print size no less than one-half (1/2) inch in size, **GAS VENT DIRECTLY BELOW. KEEP CLEAR OF ALL OBSTRUCTIONS.**

COLD CLIMATE INSULATION

For cold climate installations, seal all cracks around your appliance with noncombustible material and wherever cold air could enter the room. It is especially important to insulate outside chase cavity between studs and under floor on which appliance rests, if floor is above ground level. Gas line holes and other openings should be caulked or stuffed with unfaced fiberglass insulation.

If the fireplace is being installed on a cement slab in cold climates, a sheet of plywood or other raised platform can be placed underneath to prevent cold transfer to the fireplace and into the room. It also helps to sheetrock inside surfaces and tape for maximum air tightness and caulk firestops.

MANUFACTURED HOME REQUIREMENTS

This appliance may be installed in an aftermarket permanently located, manufactured home and must be installed in accordance with the manufacturer's instructions.

Cet appareil peut être installé comme du matériel d'origine dans une maison préfabriquée (É.U. seulement) ou mobile et doit être installé selon les instructions du fabricant.

This appliance is only for use with the type of gas indicated on the rating plate. This appliance is not convertible for use with other gases, unless a certified kit is used.

Cet appareil doit être utilisé uniquement avec le type de gaz indiqué sur la plaque signalétique. Cet appareil ne peut être converti à d'autres gaz, sauf si une trousse de conversion est utilisée.

CAUTION: Ensure that the cross members are not cut or weakened during installation. The structural integrity of the manufactured home floor, wall, and ceiling / roof must be maintained.

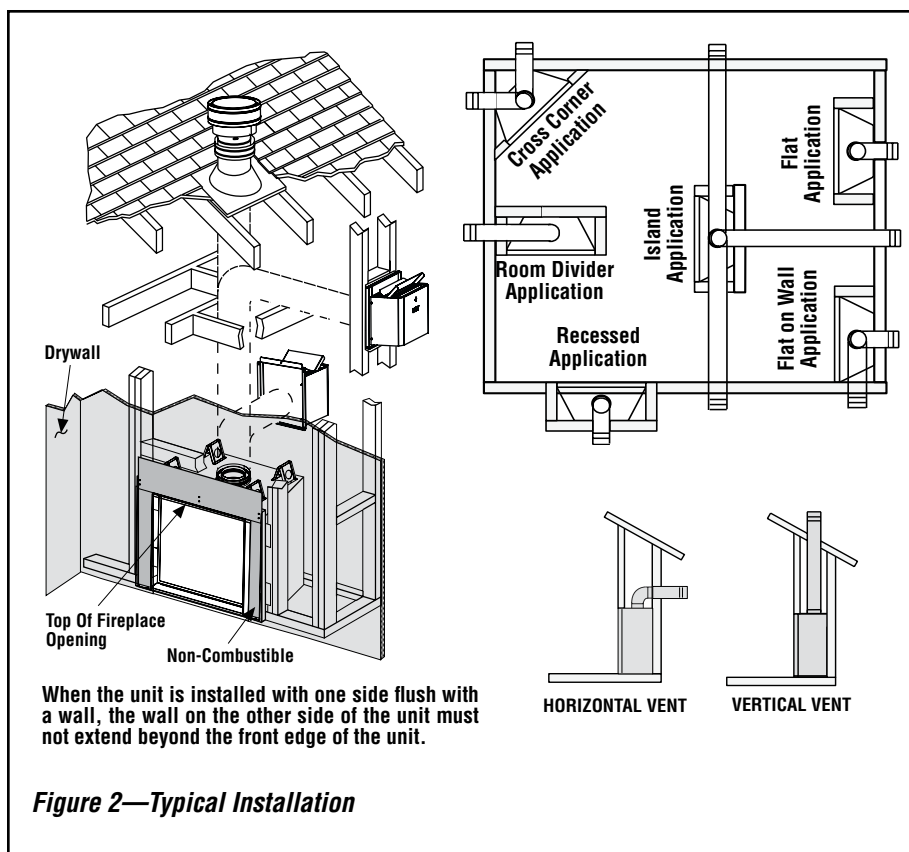


Figure 2—Typical Installation

CAUTION: This appliance must be grounded to the chassis of the manufactured home in accordance with local codes or in the absence of local codes, with the National Electrical Code ANSI / NFPA 70—latest edition or the Canadian Electrical Code CSA C22.1—latest edition.

LOCATION

In selecting the location, the aesthetic and functional use of the appliance are primary concerns. However, vent system routing to the exterior and access to the fuel supply are also important.

Due to high temperatures, the appliance should be located out of traffic and away from furniture and draperies (Figure 2).

En raison des températures élevées, l'appareil devrait être installé dans un endroit où il y a peu de circulation et loin du mobilier et des tentures (Figure 2).

The location should also be free of electrical, plumbing or other heating/air conditioning ducting.

These direct-vent appliances are uniquely suited for installations requiring a utility shelf positioned directly above the fireplace. Utility shelves like these are commonly used for locating television sets and decorative plants.

Be aware that this is a heat producing appliance. Objects placed above the unit are exposed to elevated temperatures.

Do not insulate the space between the appliance and the area above it (see Figure 7 on Page 10).

The minimum height from the base of the appliance to the underside of combustible materials used to construct a utility shelf in this fashion is shown in **Figure 7 on Page 10**.

The appliance must be mounted on a fully supported base extending the full width and depth of the unit. The appliance may be located on or near conventional construction materials. However, if installed on combustible materials, such as carpeting, vinyl tile, or other combustible material other than wood flooring, the appliance shall be installed on a metal or wood panel extending the full width and depth of the appliance.

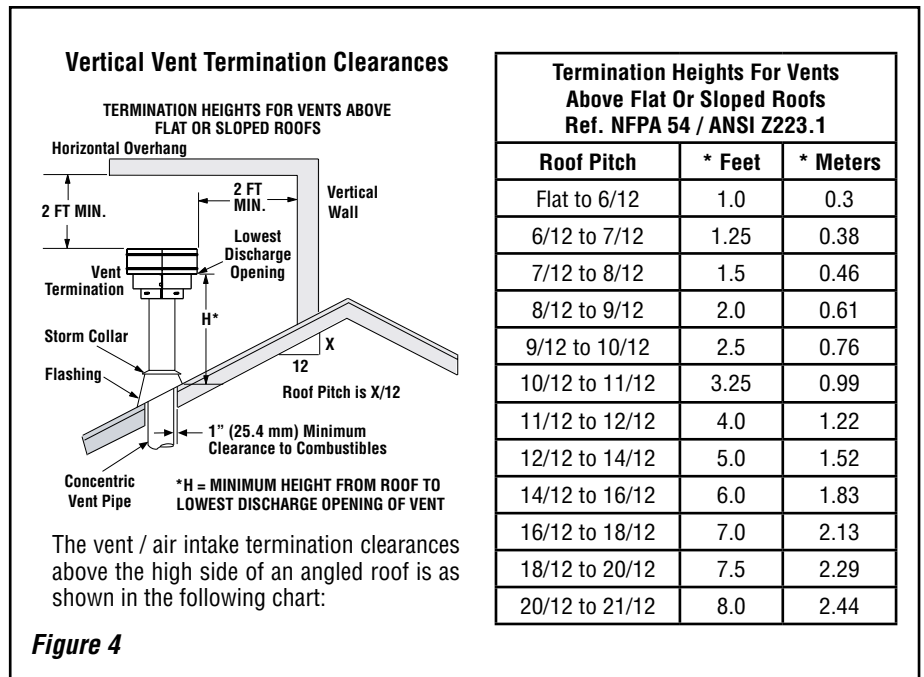
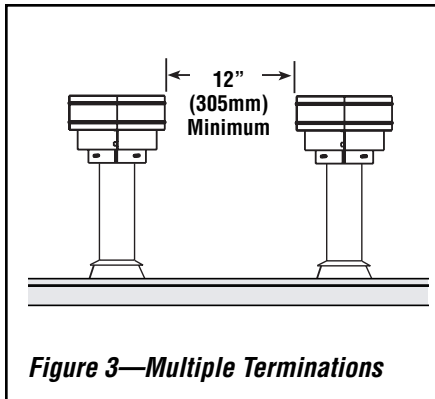
VENT TERMINATION CLEARANCES

These instructions should be used as a guideline and do not supersede local codes in any way. Install vent according to local codes, these instructions, the current National Fuel Gas Code (ANSI-Z223.1) in the USA or the current standards of CAN/CGA-B149.1 in Canada.

Vertical Vent Termination Clearances

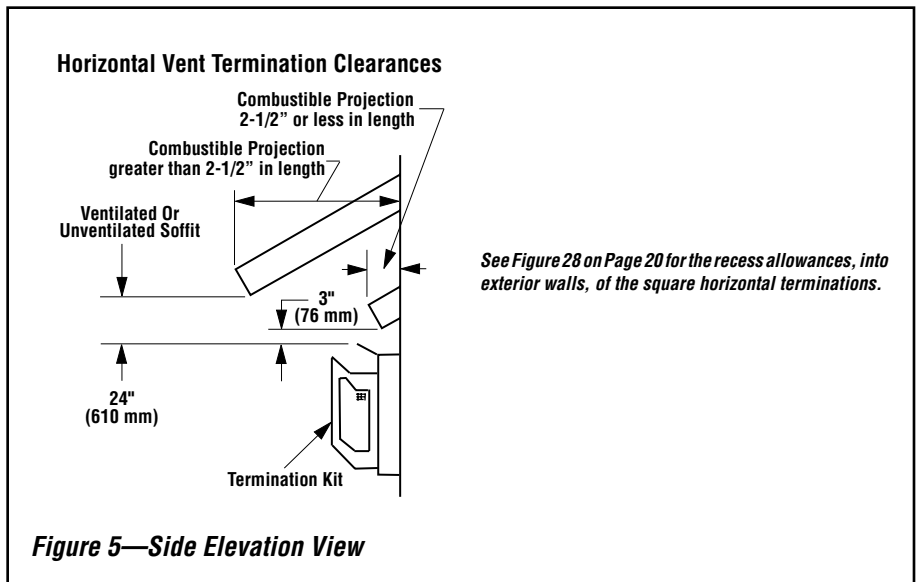
Terminate multiple vent terminations according to the installation codes listed above. Also see **Figure 3**.

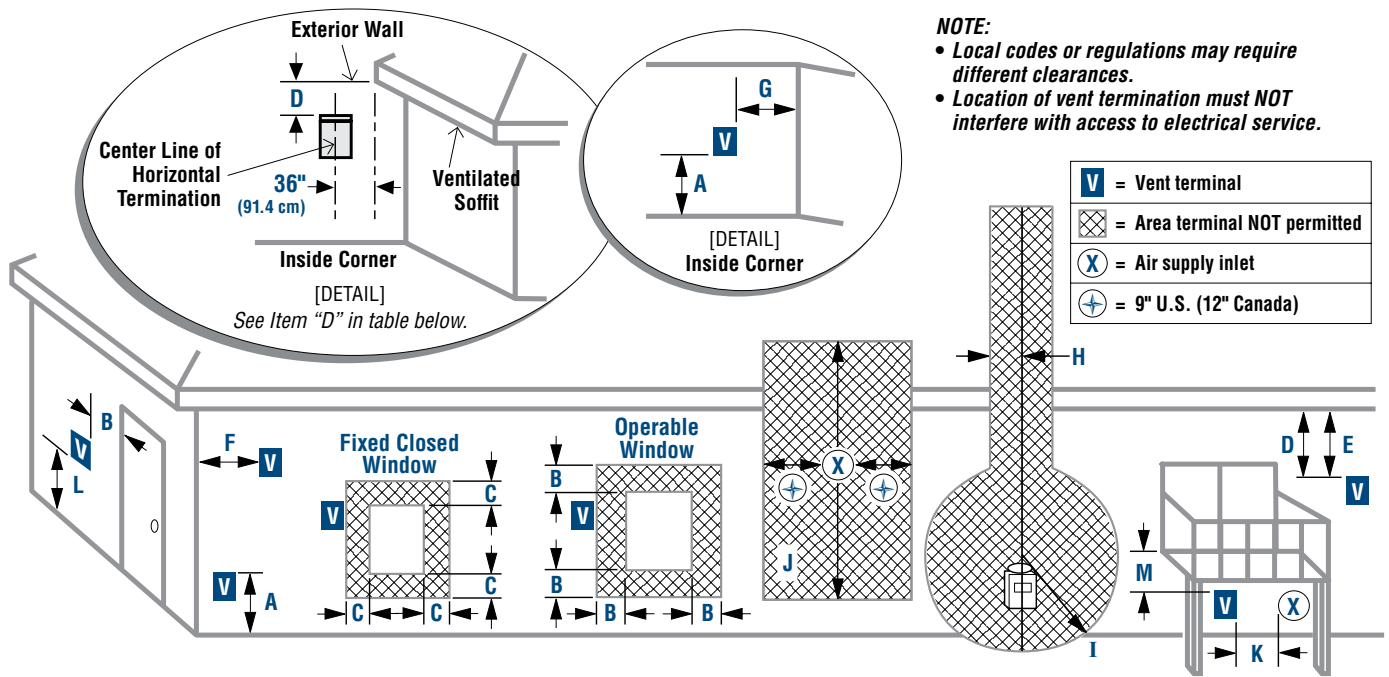
Terminate single vent caps relative to building components according to **Figures 3** and **4**.



Horizontal Vent Termination Clearances

The horizontal vent termination must have a minimum of 3" (76 mm) clearance to any overhead combustible projection of 2-1/2" (64 mm) or less (see **Figure 5**). For projections exceeding 2-1/2" (64 mm), see **Figure 5**. For additional vent location restrictions refer to **Figure 6** on **Page 9**.





MINIMUM CLEARANCES		
Clearance Description	US Installation ①	Canadian Installation ②
A = Clearance above grade, veranda, porch, deck, or balcony.	18" (46 cm) ①	18" (46 cm) ②
B = Clearance to window or door that may be opened.	6" (15.2 cm) for appliances < 10,000 BTU/hr (3kW), 9" (23 cm) for appliances > 10,000 BTU/hr (3kW) and < 50,000 BTU/hr (15kW), 12" (30 cm) for appliances > 50,000 BTU/hr (15kW). ①	6" (15.2 cm) for appliances < 10,000 BTU/hr (3kW), 12" (30 cm) for appliances > 10,000 BTU/hr (3kW) and < 100,000 BTU/hr (30kW), 36" (91 cm) for appliances > 100,000 BTU/hr (30kW). ②
C = Clearance to permanently closed window.	9" (229 mm) recommended to prevent window condensation.	12" (305 mm) recommended to prevent window condensation.
D = Vertical clearance to ventilated soffit located above the terminal within a horizontal distance of 36" (91.4 cm) from center line of terminal.	24" (61 cm)	24" (61 cm)
E = Clearance to unventilated soffit.	24" (61 cm)	24" (61 cm)
F = Clearance to outside corner.	5" (12.7 cm)	5" (12.7 cm)
G = Clearance to inside corner.	24" (61 cm)	36" (91.4 cm)
H = Clearance to each inside of center line extended above meter/regulator assembly.	3 ft (91.4 cm) within a height of 15 ft above the meter/regulator assembly. ①	3 ft (91.4 cm) within a height of 15 ft above the meter/regulator assembly. ②
I = Clearance to service regulator vent outlet.	3 ft (91.4 cm) ①	3 ft (91.4 cm) ②
J = Clearance to non-mechanical air supply inlet to building or combustion air inlet to any other appliance.	6" (15.2 cm) for appliances < 10,000 BTU/hr (3kW); 9" (23 cm) for appliances > 10,000 BTU/hr (3kW) and < 50,000 BTU/hr (15kW); 12" (30 cm) for appliances > 50,000 BTU/hr (15kW). ①	6" (15.2 cm) for appliances < 10,000 BTU/hr (3kW); 12" (30 cm) for appliances > 10,000 BTU/hr (3kW) and < 100,000 BTU/hr (30kW); 36" (91.4 cm) for appliances > 100,000 BTU/hr (30kW). ②
K = Clearance to mechanical air supply inlet.	3 ft (91.4 cm) above, if within 10 ft (3 m) horizontally. ①	6 ft (1.83 m) ②
L = Clearance above paved sidewalk or paved driveway located on public property.	7 ft (2.13 m) ③	7 ft (2.13 m) ③
M = Clearance under veranda, porch, deck, or balcony.	18" (46.0 cm) ① ③	18" (46.0 cm) ④

① In accordance with the current ANSI Z223.1 / NFPA 54 National Fuel Codes (latest editions).
 ② In accordance with the current CAN/CGA-B149.1 Installation Code (latest editions).
 ③ A vent shall not terminate directly above a sidewalk or paved driveway that is located between two single-family dwellings and serves both dwellings.
 ④ Only permitted if veranda, porch, deck, or balcony is fully open on a minimum of two sides beneath the floor.

Figure 6 - Horizontal vent termination clearances for buildings with combustible and noncombustible exteriors

MINIMUM CLEARANCES TO COMBUSTIBLES

The appliance is approved with zero clearance to combustible materials on all sides (as detailed in **Table 5**), with the following exception: **When the unit is installed with one side flush with a wall, the wall on the other side of the unit must not extend beyond the front edge of the unit.** In addition, when the unit is recessed, the side walls surrounding the unit must not extend beyond the front edge of the unit (see **Figure 2**).

APPLIANCE MINIMUM CLEARANCES*	
Inches (millimeters)	
Sides	1/2 (13), 0 (0) Spacers **
Top Spacers	0 (0)
Floor	0 (0)
Back	1/2 (13), 0 (0) Spacers
Bottom of Appliance To Ceiling	69 (1743)
Vent	3 (76) Top* / 1 (25.4) Sides & Bottom
SERVICE CLEARANCES Feet (meters)	
Front	3 feet (0.9 meters)

Table 5

***NOTE:** 3" (75 mm) above any horizontal/inclined vent component.
****NOTE:** See Page 10, Step 1 for clearance requirements to the nailing flange located at each side of the unit and any screw heads adjacent to it. See Page 30 for hearth extension requirements.

NOTE: Attic insulation shield (**H3908**, see Page 10) must be installed when blown or loose-fill insulation is used, and is required for all attic installations.

Shelf Height

To provide for the lowest possible shelf surface, the venting attached to the top vent should be routed in a way to minimize obstructions to the space above the appliance. **Do not insulate the space between the appliance and the area above it** (see **Figure 7**). The minimum height from the base of the appliance to the underside of combustible materials used to construct a utility shelf in this fashion is shown in **Figure 7**.

Wall Finishes / Surrounds / Mantels

NOTE: Combustible wall finish materials and/or surround materials must not be allowed to encroach the area defined by the appliance front face (black sheet metal). **Never allow combustible materials to be positioned in front of or overlapping the appliance face.** See **Figure 9** and **Figure 51** on Page 30.

Non-combustible materials, such as surrounds and other appliance trim, may be installed on the appliance front face with these exceptions: they must not cover any portion of the removable glass panel.

Vertical installation clearances to combustible mantels vary according to the depth of the mantel. See **Figure 8**. Mantels constructed of non-combustible materials may be installed at any height above the appliance opening. Minimum clearance requirements include any projections such as shelves, window sills, mantels, etc. above the appliance.

NOTE: We recommend the use of high temperature paint (rated 175° F or higher) on the underside of the mantel.

Minimum clearance requirements include any projections such as shelves, window sills, mantels, etc. above the appliance.

Combustible Shelf Height—Inches (millimeters)	
Top Vent—with 2 Feet Vertical Vent and One 90 Degree Elbow	
Model	Secure Vent®
40 in.	*84-1/16 (2135)
45 in.	*89-1/16 (2252)

* Includes 3" clearance to combustibles (required above vent components)

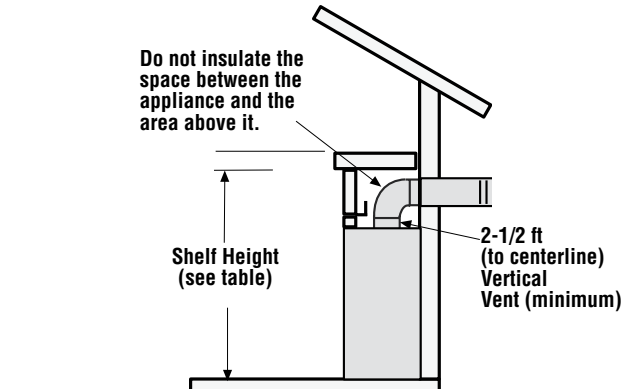


Figure 7 Shelf Above Fireplace With Top Venting

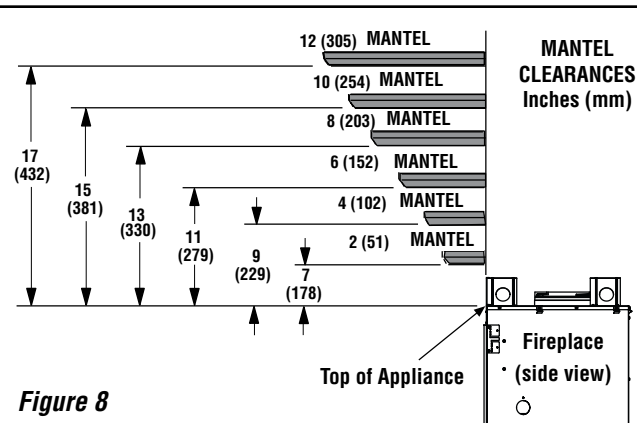


Figure 8

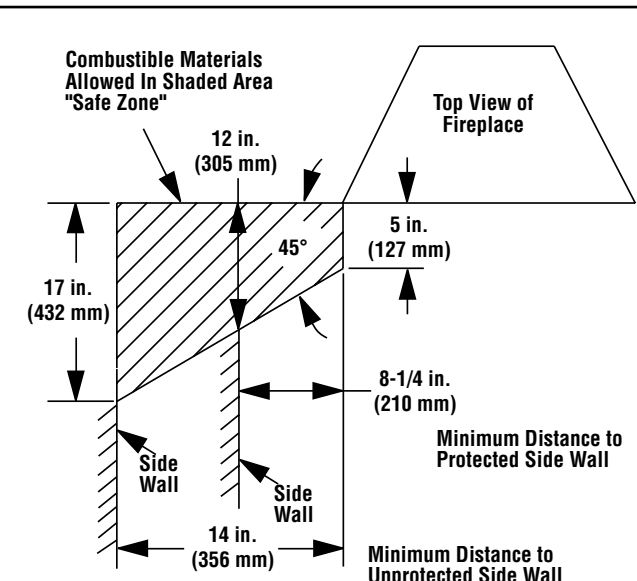


Figure 9

⚠ WARNING

Failure to position the parts in accordance with these diagrams or failure to use only parts specifically approved with this appliance may result in property damage or personal injury.

⚠ AVERTISSEMENT

Risque de dommages ou de blessures si les pièces ne sont pas installées conformément à ces schémas et ou si des pièces autres que celles spécifiquement approuvées avec cet appareil sont utilisées.

DETAILED INSTALLATION STEPS

The appliance is shipped with all gas controls and components installed and pre-wired.

1. Remove the shipping carton, exposing the front glass door on the valve access side.
2. Using a Phillips screwdriver, unfasten two (2) screws located at the top of the glass frame (see *Figure 46 on page 28*). Tilt the top of the glass frame away from the unit. Lift it carefully off the bottom door track and set the door aside, protecting it from inadvertent damage.

TYPICAL INSTALLATION SEQUENCE

The typical sequence of installation is outlined below. However, each installation is unique and may result in variations to the steps described.

See the Page numbers references in the following steps for detailed procedures.

- Step 1. (Page 11)** Construct the appliance framing. Position the appliance within the framing and secure with nailing brackets.
- Step 2. (Page 13)** Route gas supply line to the right side.
- Step 3. (Page 14)** Install the vent system and exterior termination.
- Step 4. (Page 23)** Connect 120 VAC electrical power to the appliance receptacle.
- Step 5. (Page 25)** Remove glass door assembly.
- Step 6. (Page 25)** Make connection to gas supply.
- Step 7. (Page 25)** Verifying appliance operation.
- Step 8. (Page 26)** Install firebox liner panels, logs, and glowing embers

OR
contemporary burner/floor kit, porcelain panels, and media.
- Step 9. (Page 28)** Install glass door assembly.
- Step 10. (Page 28)** Adjust burner to ensure proper flame appearance.
- Step 11. (Page 31)** Attach safety in operation warnings.

Step 1. FRAMING

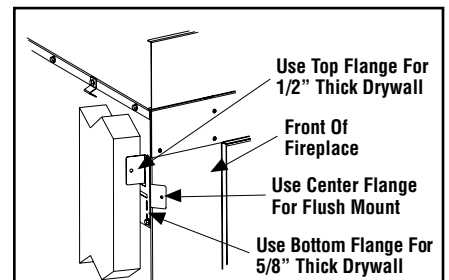
Frame these appliances as illustrated in *Figure 11 on Page 12*, unless the appliance is to be installed in a corner. See *Figure 12 on Page 13* for corner framing installations. All framing details must allow for a minimum clearance to combustible framing members as shown in *Table 5 on Page 10*.

If the appliance is to be elevated above floor level, a solid continuous platform must be constructed below the appliance.

Headers may be in direct contact with the appliance top spacers but must not be supported by them or notched to fit around them. All construction above the appliance must be self-supporting, **DO NOT** use the appliance for structural support.

A header heat shield is taped to the top of the fireplace. Slide the heat shield into the framing and attach the heat shield using the screws in the standoff (see *Figure 10*).

The fireplace should be secured to the side framing members using the unit's nailing flanges—one top and bottom on each side of the fireplace front (see *Figure 10*). Use 8d nails or their equivalent.



Left Side Front Corner of Fireplace Shown (Right Side Requirements the Same)

Unit Being Secured By Its Nailing Flanges To The Framing

NOTE: The nailing flanges, combustible members and screw heads located in areas directly adjacent to the nailing flanges, are EXEMPT from the 1/2" clearance to combustible requirements for the firebox outer wrapper. Combustible framing may be in direct contact with the nailing flanges and may be located closer than 1/2" from screw heads and the firebox wrapper in areas adjacent to the nailing flanges. Frame the opening to the exact dimensions specified in the framing details of this manual.

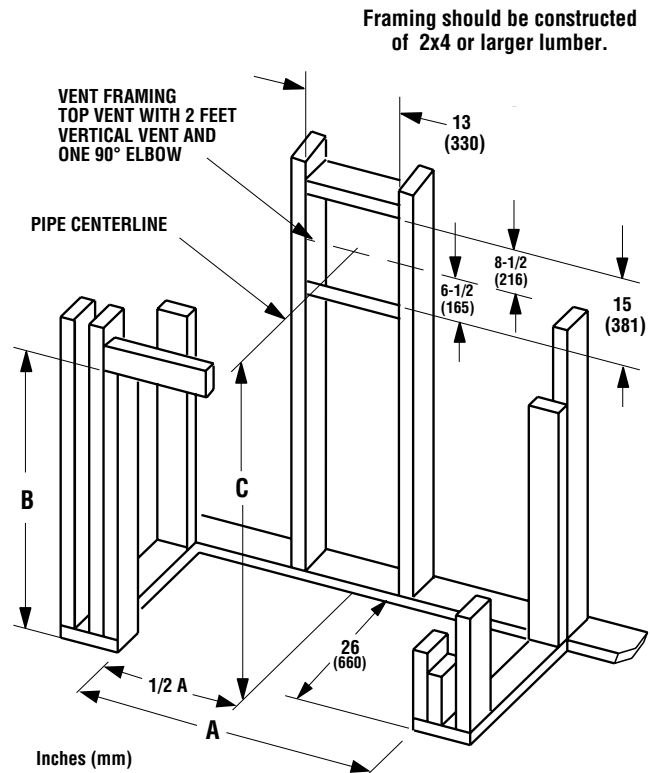
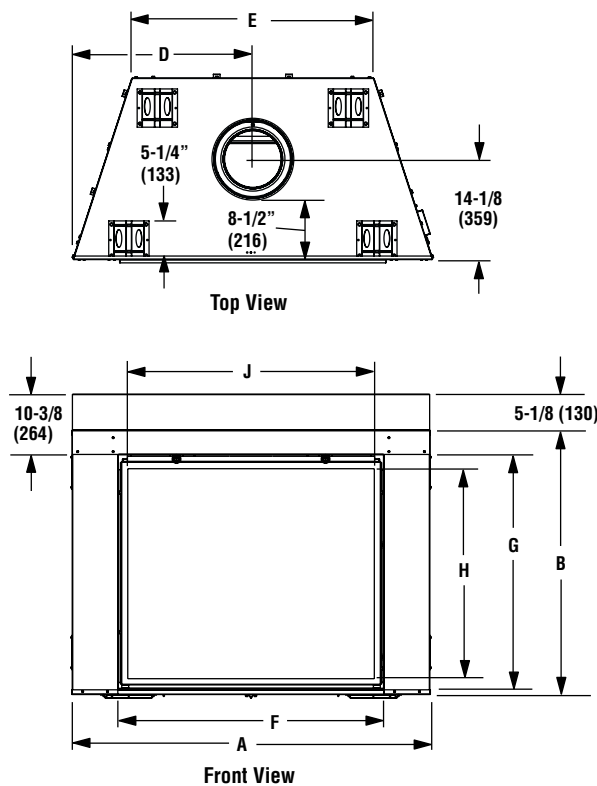
Unit Being Secured by Its Nailing Flanges to the Framing

Figure 10

<p>The hear shield is designed to protect framing.</p>	<p>Step 1. Heat shield rests on top standoffs</p>
<p>Step 2. Affix shield with 5/16" hex screws into front standoff.</p>	<p>Step 3. Heat shield will now protect framing from heat from flue.</p>
<p>Installing the Heat Shield</p>	

Framing Dimensions				
Model		A	B	C
40 in.	in.	50-3/4	45	75-1/8
	mm	1289	1143	1908
45 in.	in.	56-7/8	50	80-1/8
	mm	1445	1270	2035

Thermal Efficiency (%)	
	Natural Gas
Model	P4
40 in.	35.8
45 in.	51.2



Canada
ENERGUIDE
Look for the EnerGuide Gas Fireplace Energy Efficiency Rating in this brochure
Based on CSA P.4.1-09

Notes
Diagrams, illustrations and photographs are not to scale — consult installation instructions. Product designs, materials, dimensions, specifications, colors and prices are subject to change or discontinuance without notice.

Vent Size	
Coaxial DV Vent Size	8" Inner 11" Outer

Fireplace Dimensions										
Model		A	B	C	D	E	F	G	H	J
40 in.	in.	50-5/8	39-1/4	45	25-3/8	34	37-5/8	33-1/8	29-3/8	34-3/4
	mm	1286	997	1143	645	864	956	841	746	883
45 in.	in.	56-3/4	44-1/4	50	28-3/8	40-1/8	43-5/8	38-1/8	34-1/2	41
	mm	1442	1124	1270	721	1019	1108	968	876	1041

Figure 11—Fireplace and Framing Specifications

Model		A	B	C	D
40 in.	in.	50-5/8	83-5/8	59-1/8	41-7/8
	mm	1286	2124	1502	1064
45 in.	in.	56-3/4	89-7/8	63-1/2	44-7/8
	mm	1441	2283	1613	1140

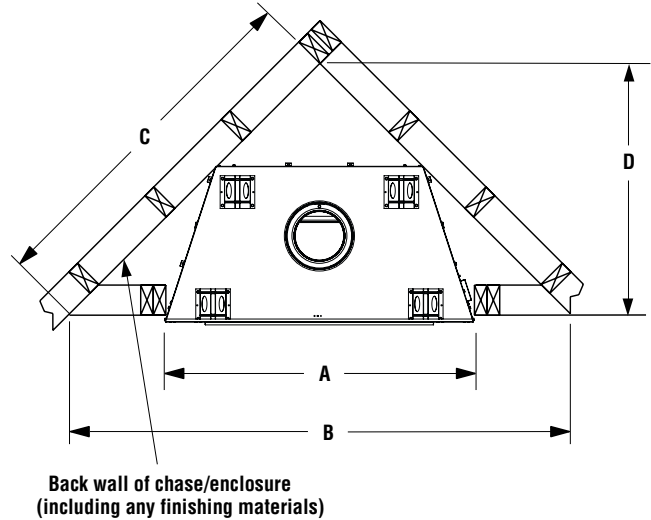


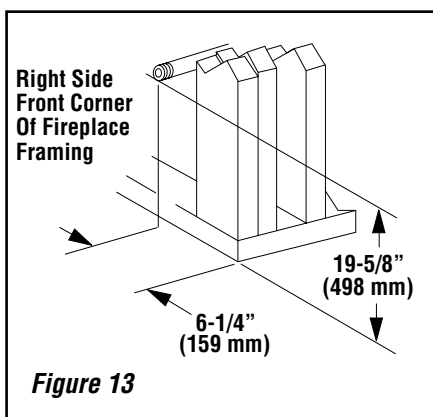
Figure 12—Corner Framing with Square Termination (SV8HTS)

Step 2. ROUTING GAS LINE

Route a 1/2" (13 mm) gas line along the inside of the right side framing as shown in **Figure 13**. Gas lines must be routed, constructed and made of materials that are in strict accordance with local codes and regulations.

All appliances are factory-equipped with a flexible gas line connector and 1/2" shutoff valve. (See **Step 6** on **Page 24**).

The incoming gas line should be piped into the valve compartment and connected in one of the two methods as shown in **Figure 36** on **Page 25**.



Proper Sizing of Gas Line

Properly size and route the gas supply line from the supply regulator to the area where the appliance is to be installed per requirements outlined in the National Fuel Gas Code, NFPA 54—latest edition (USA) or CAN/CGA-B149.1—latest edition (Canada).

Never use galvanized or plastic pipe. Refer to **Table 6** for proper sizing of the gas supply line, if black iron pipe is being used. Gas lines must be routed, constructed and made of materials that are in strict accordance with local codes and regulations. We recommend that a qualified individual such as a plumber or gas fitter be hired to correctly size and route the gas supply line to the appliance. Installing a gas supply line from the fuel supply to the appliance involves numerous considerations of materials, protection, sizing, locations, controls, pressure, sediment, and more. Certainly no one unfamiliar and unqualified should attempt sizing or installing gas piping.

Schedule 40—Black Iron Pipe Inside Diameter (Inches)		
Schedule 40 Pipe Length (feet)	Natural Gas	Propane Gas
0–10	1/2"	3/8"
10–40	1/2"	1/2"
40–100	1/2"	1/2"
100–150	3/4"	1/2"
150–200	3/4"	1/2"

Table 6

NOTES:

- All appliances are factory-equipped with a flexible gas line connector and 1/2" shutoff valve (see **Figure 36** on **Page 25**).
- See **Massachusetts Requirements** on **Page 6** for additional requirements for installations in the state of Massachusetts in the USA.
- The gas supply line should Not be connected to the appliance until **Step 6** (**Page 25**).
- A pipe joint compound rated for gas should be used on the threaded joints. **Ensure propane resistant compounds are used in propane applications.** Be very careful that the pipe compound does not get inside the pipe.
- It is recommended to install a sediment trap in the supply line as close as possible to the appliance (see **Figure 36** on **Page 25**).
- Check with local building official for local code requirements.

IMPORTANT: If propane is used, be aware that if tank size is too small (i.e. under 100 lbs, if this is the only gas appliance in the dwelling. Ref. NPFA 58), there may be loss of pressure, resulting in insufficient fuel delivery (which can result in sooting, severe delayed ignition or other malfunctions). Any damage resulting from an improper installation, such as this, is not covered under the limited warranty.

Step 3. INSTALL THE VENT SYSTEM

General Information

These instructions should be used as a guideline and do not supersede local codes in any way. Install vent according to local codes, these instructions, the current National Fuel Gas Code (ANSI-Z223.1) in the USA or the current standards of CAN/CGA-B149.1 and -B149.2 in Canada.

Ensure clearances are in accordance with local installation codes and the requirements of the gas supplier.

Dégagement conforme aux codes d'installation locaux et aux exigences du fournisseur de gaz.

Use only approved venting components. See *Approved Vent Components* on Page 4.

These fireplaces must be vented directly to the outside.

The vent system may not service multiple appliances, and must never be connected to a flue serving a separate solid fuel burning appliance. The vent pipe is tested to be run inside an enclosing wall (such as a chase). There is no requirement for inspection openings in the enclosing wall at any of the joints in the vent pipe.

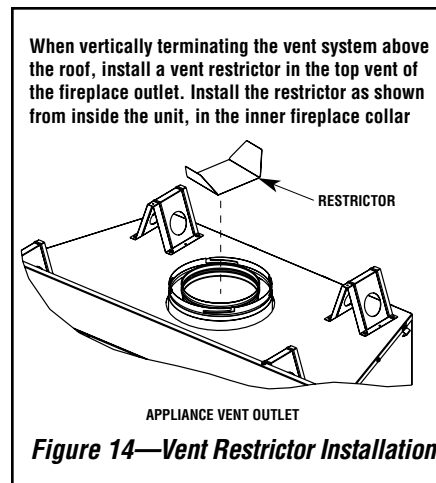
Installation of Vent Restrictor

A vent restrictor may be needed with this appliance. The restrictor is installed in the appliance top flue outlet as shown in *Figure 14*,

For vertical venting from 6 feet to 12 feet or more, from the top of the fireplace to the top of the termination, the installation of a vent restrictor is required.

If necessary, install a vent restrictor in the appliance flue outlet as shown in *Figure 14*. The vent restrictor is held in place by friction, only.

NOTE: The restrictor is included within the firebox.



Select Venting System—Horizontal or Vertical

With the appliance secured in framing, determine vent routing and identify the exterior termination location. The following sections describe vertical (roof) and horizontal (exterior wall) vent applications. Refer to the section relating to your installation. A list of approved venting components is shown on *Page 32*.

VERTICAL TERMINATION SYSTEMS (ROOF)

See **Figure 15** and **Figures 23 through 25** on **Page 18** and their associated Vertical Vent Tables which illustrate the various vertical venting configurations that are possible for use with these appliances. **Secure Vent®** pipe applications are shown in these figures. A Vertical Vent Table summarizes each system's minimum and maximum vertical and horizontal length values that can be used to design and install the vent components in a variety of applications.

The vertical vent system terminates through the roof. The minimum vent height above the roof and/or adjacent walls is specified in ANSI Z223.1—latest edition (In Canada, the current CAN/CGA-B149.1 installation code) by major building codes. Always consult your local codes for specific requirements. A general guide to follow is the Gas Vent Rule (refer to **Figure 4** on **Page 8**).

Vertical (Straight) Installation
(**Figure 15**)

Determine the number of straight vent sections required. 4-1/2" (114 mm), 10-1/2" (267 mm), 22-1/2" (572 mm), 34-1/2" (876 mm) and 46-1/2" (1181 mm) net section lengths are available (see **Tables on this page** and **Page 32—Vent Sections**). Plan the vent lengths so that a joint does not occur at the intersection of ceiling or roof joists. Refer to the Vent Section Length Chart.

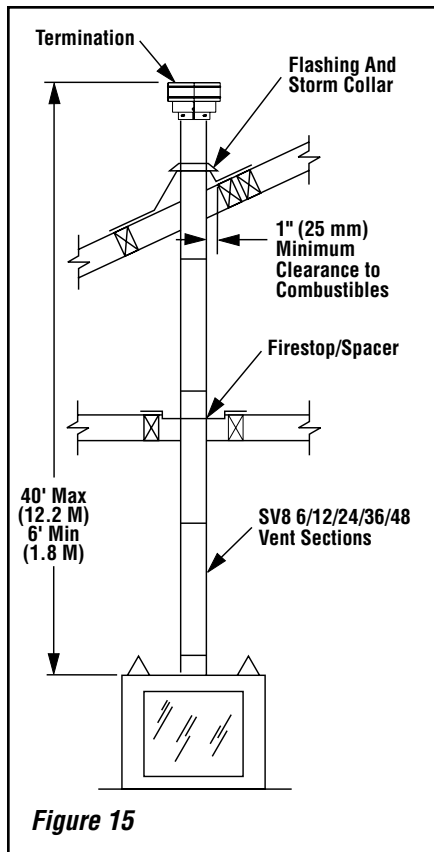


Figure 15

Nominal Section Length (inches)	6	12	24	36	48	TOTAL
Net Section Length (inches)	4-1/2	10-1/2	22-1/2	34-1/2	46-1/2	
Height of Vent	Number of Vent Sections					
	inches	ft				QTY
4.5	0.375	1	0	0	0	1
9	0.75	2	0	0	0	2
10.5	0.875	0	1	0	0	1
15	1.25	1	1	0	0	2
19.5	1.625	2	1	0	0	3
21	1.75	0	2	0	0	2
22.5	1.875	0	0	1	0	1
25.5	2.125	1	2	0	0	3
31.5	2.625	0	3	0	0	3
34.5	2.875	0	0	0	1	1
37.5	3.125	1	1	1	0	3
43.5	3.625	0	2	1	0	3
45	3.75	0	0	2	0	2
46.5	3.875	0	0	0	0	1
49.5	4.125	1	0	2	0	3
51	4.25	1	0	0	0	1
55.5	4.625	0	1	2	0	3
57	4.75	0	0	1	1	2
66	5.25	0	2	2	0	4
67.5	5.625	0	0	3	0	3
69	5.75	0	0	0	2	2
72	6	1	0	3	0	4
73.5	6.125	1	0	0	2	3
79.5	6.625	0	1	0	2	3
81	6.75	0	0	0	1	1
90	7.5	0	2	1	0	1
91.5	7.625	0	0	2	0	1
93	7.75	0	0	0	0	2
96	8	1	0	1	2	4
97.5	8.125	1	0	0	0	2
102	8.5	2	0	0	0	2
103.5	8.625	0	0	0	3	3
108	9	1	0	0	3	4
114	9.5	0	2	0	0	2
117	9.75	1	0	5	0	6
118.5	9.875	1	1	0	3	5
126	10.5	0	0	1	3	4
130.5	10.875	1	0	1	3	5
135	11.25	0	0	6	0	6
138	11.5	0	0	0	4	4
139.5	11.625	0	0	0	0	3
142.5	11.875	1	0	0	4	5

Table 7: Vent Section Length Chart

NOTE: Convert inches into metric equivalent measurement, as follows:

Millimeters (mm) = Inches x 25.4
Centimeters (cm) = Inches x 2.54
Meters (M) = Inches x .0254

Nominal Section Length (inches)	6	12	24	36	48	TOTAL
Net Section Length (inches)	4-1/2	10-1/2	22-1/2	34-1/2	46-1/2	
Height of Vent	Number of Vent Sections					
	inches	ft				QTY
144	12	1	0	0	0	3
150	12.5	0	1	0	0	3
154.5	12.875	1	1	0	0	3
160.5	13.375	0	2	0	0	3
172.5	14.375	0	0	0	5	0
177	14.75	1	0	0	5	0
183	15.25	0	1	0	5	0
186	15.5	0	0	0	0	4
190.5	15.875	1	0	0	0	4
196.5	16.375	0	1	0	0	4
205.5	17.125	0	1	1	5	0
207	17.25	0	0	0	6	0
211.5	17.625	1	0	0	6	0
217.5	18.125	0	1	0	6	0
229.5	19.125	0	0	1	6	0
232.5	19.375	0	0	0	0	5
237	19.75	1	0	0	0	5
241.5	20.125	0	0	0	7	0
246	20.5	1	0	0	7	0
252	21	0	1	0	7	0
264	22	0	0	1	7	0
276	23	0	0	0	8	0
279	23.25	0	0	0	0	6
280.5	23.375	1	0	0	8	0
283.5	23.625	1	0	0	0	6
289.5	24.125	0	1	0	0	6
301.5	25.125	0	0	1	0	6
310.5	25.875	0	0	0	9	0
315	26.5	1	0	0	9	0
325.5	27.125	0	0	0	0	7
330	27.5	1	0	0	0	7
336	28	0	1	0	0	7
345	28.75	0	0	0	10	0
349.5	29.125	1	0	0	10	0
372	31	0	0	0	0	8
376.5	31.375	1	0	0	0	8
379.5	31.625	0	0	0	11	0
418.5	34.875	0	0	0	0	9
423	35.25	1	0	0	0	9
465	38.75	0	0	0	0	10

Model	Effective Length
SV8L6	4-1/2"
SV8L12	10-1/2"
SV8L24	22-1/2"
SV8L36	34-1/2"
SV8L48	46-1/2"

Table 8—Effective Vent Length

Vertical (Offset) Installation

Analyze the vent routing and determine the quantities of vent sections and number of elbows required. Refer to **Vertical Vent Figures and Tables on Page 18** to select the type of vertical installation desired. Vent sections are available in net lengths of 4-1/2" (114 mm), 10-1/2" (267 mm), 22-1/2" (572 mm), 34-1/2" (876 mm) and 46-1/2" (1181 mm). Refer to the **Vent Section Length Chart on Page 15** for an aid in selecting length combinations. Elbows are available in 90° and 45° configurations. Refer to **Figure 20 on Page 17** for the SV8 E45 and SV8 E90 elbow dimensional specifications.

Where required, a **telescopic vent section (SV8LA)** may be used to provide the installer with an option in installing in tight and confined spaces or where the vent run made up of fixed length pieces develops a joint in a undesirable location, or will not build up to the required length. The SV8LA Telescopic Vent Section has an effective length of from 1-1/2" (38 mm) to 6-3/4" (171 mm). The SV8LA is fitted with a dimpled end (identical to a normal vent section component) and a plain end with 3 pilot holes. Slip the dimpled end over the locking channel end of a standard SV8 vent component the required distance and secure with three screws.

Maintain a minimum 1" (25 mm) clearance to combustible materials for all vertical elements. Clearances for all horizontal elements are 3" (76 mm) on top, 1" (25 mm) on sides and 1" (25 mm) on the bottom.

A. Frame ceiling opening—Use a plumb line from the ceiling above the appliance to locate center of the vertical run. Cut and/or frame an opening, 13" x 13" (330 mm x 330 mm) inside dimensions, about this center mark (**Figure 16**).

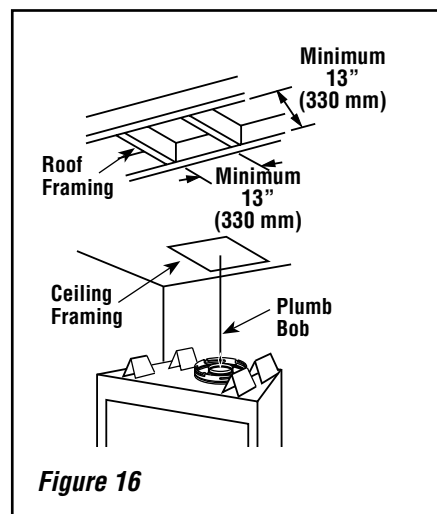


Figure 16

B. Attach vent components to appliance—Secure Vent® SV8 direct-vent system components are unitized concentric pipe components featuring positive twist lock connections (see **Figure 17**).

All of the appliances covered in this document are fitted with collars having locking inclined channels. The dimpled end of the vent components fit over the appliance collar to create the positive twist lock connection.

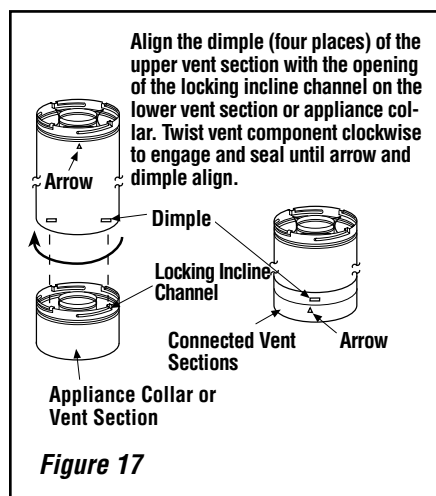


Figure 17

To attach a vent component to the appliance collar, align the dimpled end over the collar, adjusting the radial alignment until the four locking dimples are aligned with the inlet of the four inclined channels on the collar (refer to **Figure 17**). Push the vent component against the collar until it fully engages, then twist the component clockwise, running the dimples down and along the incline channels until they seat at the end of the channels. The unitized design of the **Secure Vent** components will engage and seal both the inner and outer pipe without the need for sealant or screws. If desired a #6 x 1/2" screw may be used at the joint, but it is not required as the pipe will securely lock when twisted.

C. Attach vent components to each other—Other vent sections may be added to the previously installed section in accordance with the requirements of the vertical vent figures and tables. To add another vent component to a length of vent run, align the dimpled end over the inclined channel end of the previously installed section, adjusting the radial alignment until the four locking dimples are aligned with the inlets of the four incline channels of the previous section.

Push the vent component against the previous section until it fully engages, then twist the component clockwise running the dimples down and along the incline channels until they seat at the end of the channels. **This seating position is indicated by the alignment of the arrow and dimple as shown in Figure 17.**

D. Install firestop/spacer at ceiling—When using Secure Vent, use SV8BF firestop/spacer at ceiling joists. If there is living space above the ceiling level, the firestop/spacer must be installed on the bottom side of the ceiling. If attic space is above the ceiling, the firestop/spacer must be installed on the top side of the joist.

Route the vent sections through the framed opening and secure the firestop/spacer with 8d nails or other appropriate fasteners at each corner. **Remember to maintain 1" (25 mm) clearance to combustibles, framing members, and attic or ceiling insulation when running vertical chimney sections. Attic insulation shield (H3908) is required and may be used to help maintain the clearances indicated here. See installation accessories on Page 32.** The gap between the vent pipe and a vertical firestop can be sealed with non-combustible caulking.

E. Support the vertical vent run sections—

NOTE: Proper venting support is very important. The weight of the vent must not be supported by the fireplace in any degree.

Support the vertical portion of the venting system every 8 feet (2.4 m) above the fireplace vent outlet.

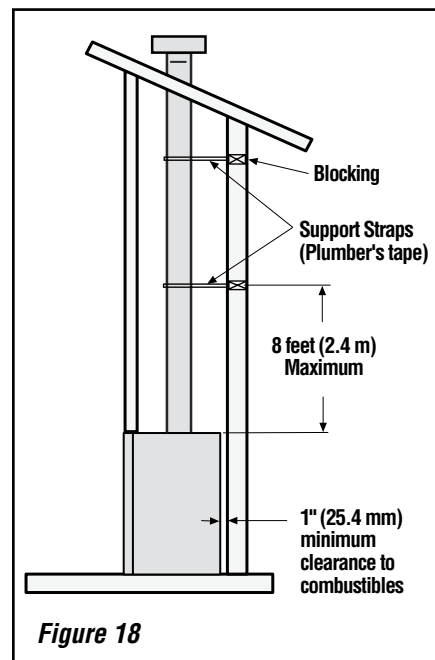
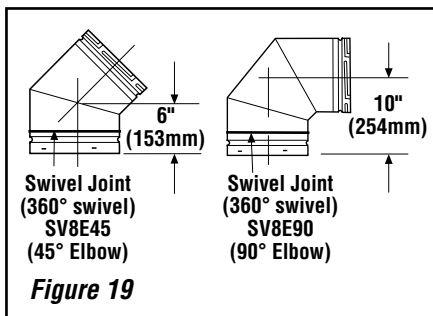


Figure 18

One method of support is by utilizing field provided support straps (conventional plumber's tape). Secure the plumber's tape to the framing members with nails or screws. Strap the tape around the vent, securing the ends of the tape to the framing. If desired, sheet metal screws #6 x 1/2" length may be used to secure the support straps to the vent pipe. See **Figure 18 on Page 16**.

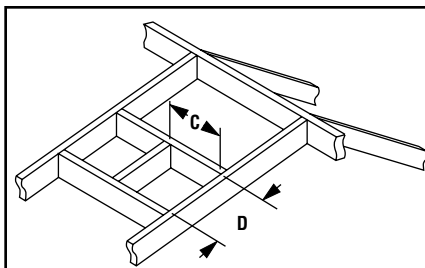
F. Change vent direction to horizontal/inclined run—At transition from or to a horizontal/inclined run, install the SV8 E45 and SV8 E90 elbows in the same manner as the straight vent sections. The elbows feature a twist section to allow them to be routed about the center axis of their initial collar section to align with the required direction of the next vent run element. **Twist elbow sections in a clockwise direction only so as to avoid the possibility of unlocking any of the previously connected vent sections.** See **Figure 17 on Page 16** and **Figure 19**.



G. Continue installation of horizontal/inclined sections—Continue with the installation of the straight vent sections in horizontal/inclined run as described in **Step C**. Install support straps every 3 ft (914 mm) along horizontal/inclined vent runs using conventional plumber's tape. **See Page 19, Figure 26. It is very important that the horizontal/inclined run be maintained in a straight (no dips), slightly elevated plane.** The recommended incline is approximately 1/4" per foot (20 mm per meter) horizontal, in a direction away from the fireplace. The rise per foot run ratios that are smaller are acceptable all the way down to at or near level. Use a carpenter's level to measure from a constant surface and adjust the support straps as necessary.

It is important to maintain the required clearances to combustibles: 1" (25 mm) at all sides for all vertical runs; and 3" (76 mm) at the top, 1" (25 mm) at sides, and 1" (25 mm) at the bottom for all horizontal/inclined runs.

H. Frame roof opening—Identify location for vent at the roof. Cut and/or frame opening per Roof Framing Chart (**Figure 20**).

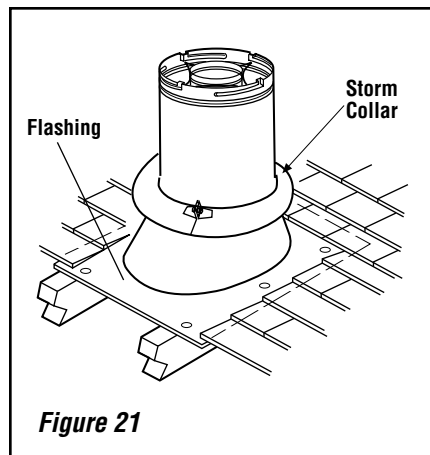


Framing Dimensions for Roof Inches (millimeters)		
Pitch	C	D
0/12	13" (330 mm)	13" (330 mm)
6/12	13" (330 mm)	15-1/2" (394 mm)
12/12	13" (330 mm)	20-1/2" (541 mm)

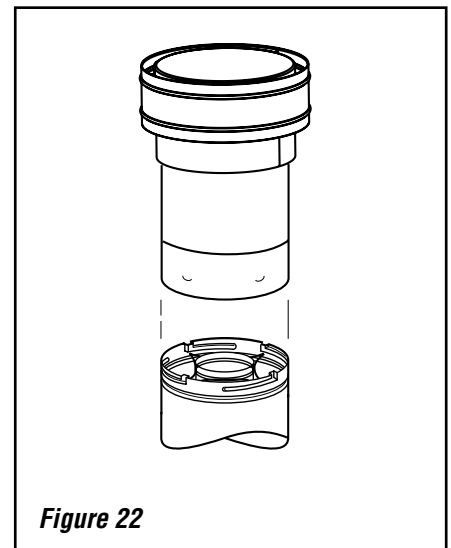
Figure 20—Roof Framing

I. Install the roof flashing—Extend the vent sections through the roof structure. Install the roof flashing over the vent section and position such that the vent column rises vertically (use carpenter's level) (**Figure 21**). Nail along perimeter to secure flashing or adjust roofing to overlap the flashing edges at top and sides only and trim where necessary. Seal the top and both sides of the flashing with waterproof caulking.

J. Install the storm collar—Install the storm collar, supplied with the flashing, over the vent/flashing joint (see **Figure 21**). Loosen the storm collar screw. Slide collar down until it meets the top of the flashing. Tighten the adjusting screw. Apply non-combustible caulking or mastic around the circumference of the joint to provide a water tight seal.



K. Install the vertical termination—The final step involves installation of the Vertical Termination. Extend the vent sections to the height as shown in the "Vertical vent termination section" on **Page 8**. The SV8VTR Vertical Termination (**Figure 22**) can be installed in the exact same fashion as any other **Secure Vent®** section. Align the termination over the end of the previously installed section, adjusting the radial alignment until the four locking dimples of the termination are aligned with the inlets of the four incline channels of the last vent section. Push the termination down until it fully engages, then twist the termination clockwise running the dimples down and along the incline channels until they seat at the end of the channels.

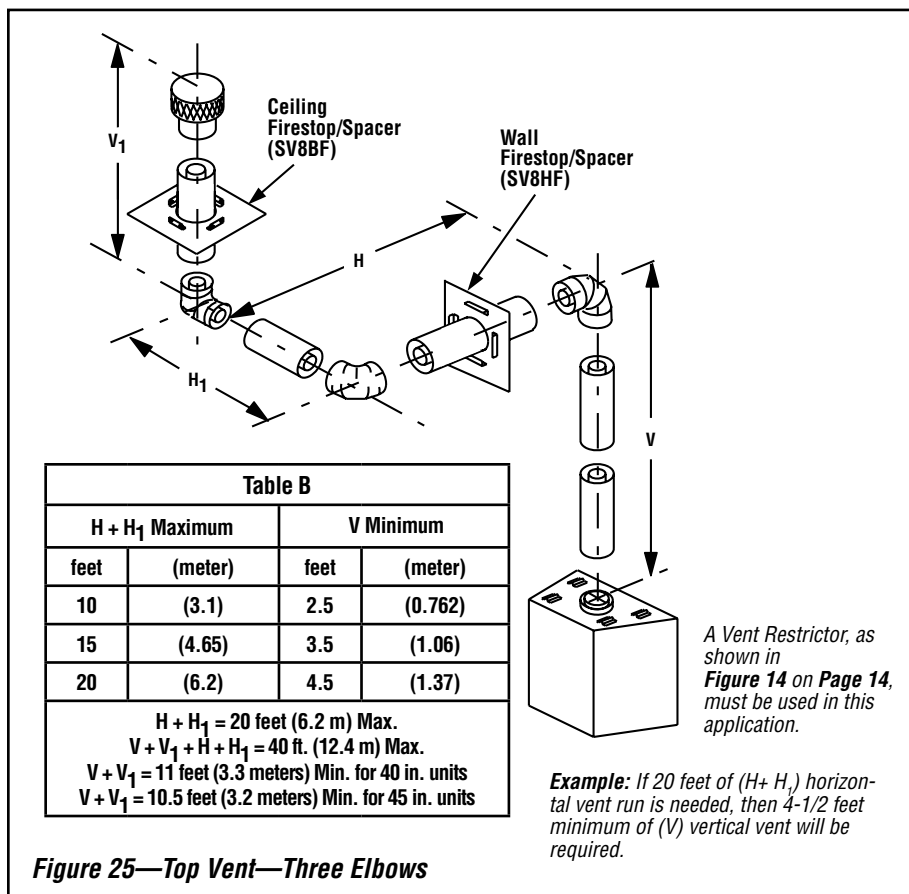
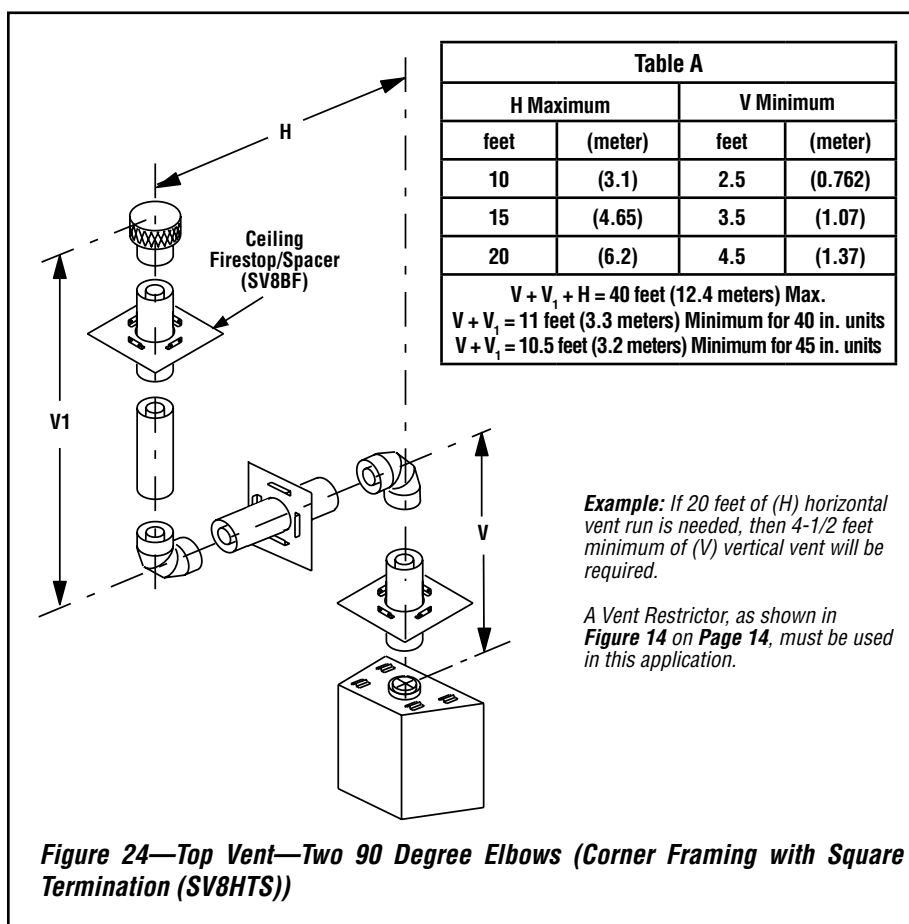
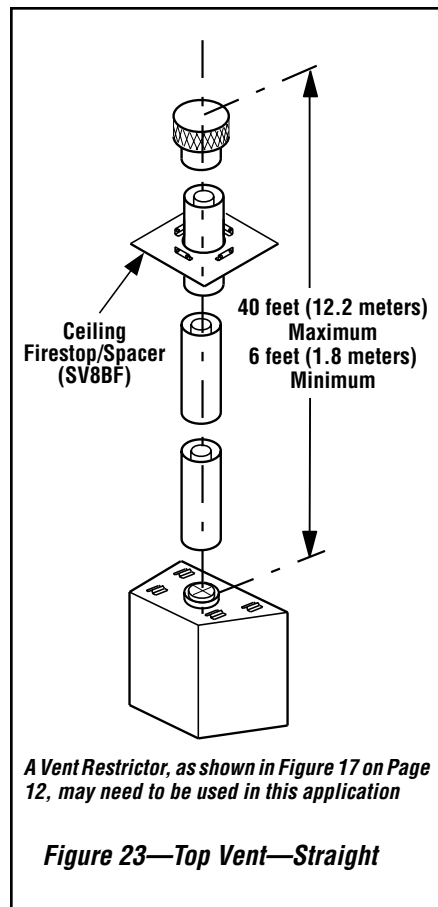


If the vent system extends more than 5 feet (1.5 m) above the roof flashing, stabilizers may be necessary. Additional screws may be used at section joints for added stability. Guide wires may be attached to the joint for additional support on multiple joint configurations.

VERTICAL VENT FIGURES/TABLES

NOTES:

- *Secure Vent® (rigid vent pipe) is shown in the figures.*
- *It is very important that the horizontal/inclined run be maintained in a straight (no dips), slightly elevated plane. The recommended incline is approximately 1/4" per foot (20 mm per meter) horizontal, in a direction away from the fireplace. The rise per foot run ratios that are smaller are acceptable all the way down to at or near level.*
- *SV8BF (Secure Vent) firestop/spacer must be used anytime vent pipe passes through a combustible floor or ceiling. SV8HF (Secure Vent) firestop/spacer must be used anytime vent pipe passes through a combustible wall.*
- *Two 45° elbows may be used in place of one 90° elbow. The same rise to run ratios, as shown in the venting figures for 90° elbows, must be followed if 45° elbows are used.*



HORIZONTAL (OUTSIDE WALL) TERMINATION SYSTEM

See **Figures 26–31** and their associated Horizontal Vent tables that illustrate the various horizontal venting configurations that are possible for use with these appliances. **Secure Vent®** pipe applications are shown in these Figures. A Horizontal Vent table summarizes each system's minimum and maximum vertical and horizontal length values that can be used to design and install the vent components in a variety of applications.

The horizontal vent system terminates through an outside wall. Building Codes limit or prohibit terminating in specific areas. Refer to **Figure 6 on Page 9** for location guidelines.

Secure Vent SV8 direct-vent system components are unitized concentric pipe components featuring positive twist lock connection, (refer to **Figure 17 on Page 16**). All of the appliances covered in this document are fitted with collars having locking inclined channels. The dimpled end of the vent components fit over the appliance collar to create the positive twist lock connection.

A. Plan the vent run.

Analyze the vent routing and determine the types and quantities of sections required 4-1/2" (114 mm), 10-1/2" (267 mm), 22-1/2" (572 mm), 34-1/2" (876 mm) and 46-1/2" (1181 mm) net section lengths are available. It is recommended that you plan the venting so that a joint does not occur in the ceiling or roof joists. Allow for elbows as indicated in **Figure 20 on Page 17**.

Maintain a minimum 1" (25 mm) clearance to combustibles on the vertical sections. Clearances for the horizontal runs are; 3" (76 mm) on top, 1" (25 mm) on sides, and 1" (25 mm) at the bottom.

B. Frame exterior wall opening—Locate the center of the vent outlet on the exterior wall according to the dimensions shown in **Figure 11 on Page 10**. Cut and/or frame an opening, 15" x 13" (381 mm x 330 mm) inside dimensions, with 9" above center and 7" below center.

C. Frame ceiling opening—If the vertical route is to penetrate a ceiling, use plumb line to locate the center above the appliance. Cut and/or frame an opening, 13" x 13" (330 mm x 330 mm) inside dimensions, about this center (refer to **Figure 17 on Page 16**).

D. Attach vent components to appliance—To attach a vent component to the appliance collar, align the dimpled end over the collar, adjusting the radial alignment until the four locking dimples are aligned with the inlets of the four incline channels on the collar (refer to **Figure 16 on Page 16**).

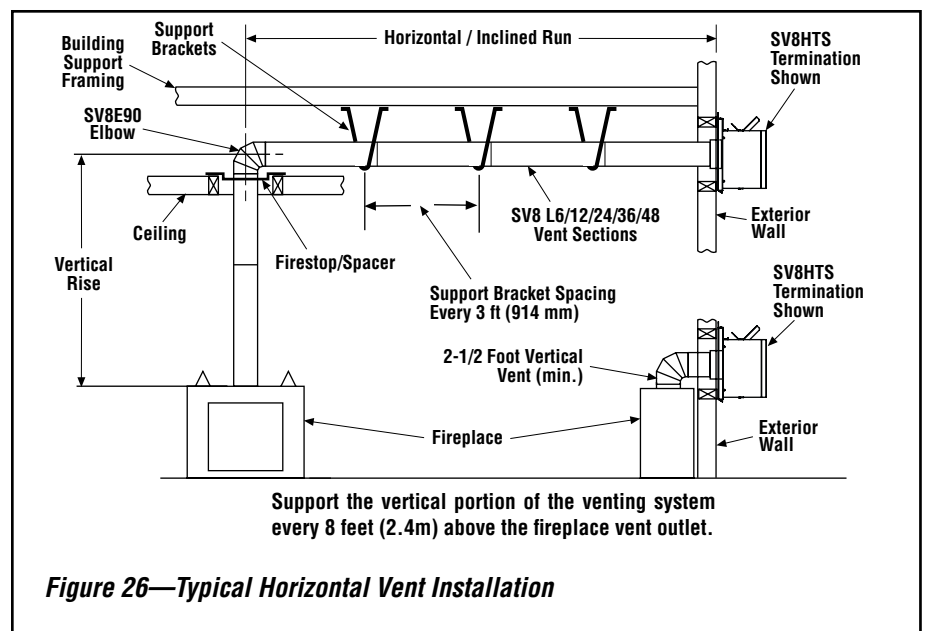


Figure 26—Typical Horizontal Vent Installation

Push the vent component against the collar until it fully engages, then twist the component clockwise, running the dimples down and along the incline channels until they seat at the end of the channels. The unitized design of the **Secure Vent** components will engage and seal both the inner and outer pipe elements with the same procedure. Sealant and securing screws are not required.

E. Attach vent components to each other—Other vent sections may be added to the previously installed section in accordance with the requirements of the vent tables. To add another vent component to a length of vent run, align the dimpled end of the component over the inclined channel end of the previously installed section, adjusting the radial alignment until the four locking dimples are aligned with the inlets of the four incline channels of the previous section. Push the vent component against the previous section until it fully engages, then twist the component clockwise running the dimples down and along the incline channels until they seat at the end of the channels. **This seating position is indicated by the alignment of the arrow and dimple as shown in Figure 17 on Page 18.**

F. Install firestop/spacer at ceiling—When using **Secure Vent**, use SV8BF firestop/spacer at ceiling joists. If there is living space above the ceiling level, the firestop/ spacer must be installed on the bottom side of the ceiling. If attic space is above the ceiling, the firestop/ spacer must be installed on the top side of the joist. Route the vent sections through the framed opening and secure the firestop/spacer with 8d nails or other appropriate fasteners at each corner.

Remember to maintain 1" (25 mm) clearance to combustibles, framing members, and attic or ceiling insulation when running vertical chimney sections.

G. Support the vertical run sections—See **Step E on Page 18**.

H. Change vent direction—At transition from or to a horizontal/inclined run, install the SV8E45 and SV8E90 elbows in the same manner as the straight vent sections. The elbows feature a twist section to allow them to be routed about the center axis of their initial collar section to align with the required direction of the next vent run element. **Twist elbow sections in a clockwise direction only so as to avoid the possibility of unlocking any of the previously connected vent sections (see Figure 17 on Page 18).**

I. Continue installation of horizontal/inclined sections—Continue with the installation of the straight vent sections in horizontal/inclined run as described in **Step E on Page 16**. Install support straps every 3 feet (914 mm) along horizontal/inclined vent runs using conventional plumber's tape.

See **Figure 26**, *It is very important that the horizontal/inclined run be maintained in a straight (no dips), slightly elevated plane. The recommended incline is approximately 1/4" per foot (20 mm per meter) horizontal, in a direction away from the fireplace. The rise per foot run ratios that are smaller are acceptable all the way down to at or near level.*

It is important to maintain the required clearances to combustibles: 1" (25 mm) at all sides for all vertical runs; and 3" (76 mm) at the top, 1" (25 mm) at sides, and 1" (25 mm) at the bottom for all horizontal/inclined runs.

Use a carpenter's level to measure from a constant surface and adjust the support straps as necessary.

J. Assemble vent run to exterior wall—If not previously measured, locate the center of the vent at the exterior wall. Prepare an opening as described in **Step B on Page 19**. Assemble the vent system to point where the terminus of the last section is within 5" (127 mm) to 8-1/2" (216 mm) inboard of the exterior surface to which the SV8HTS termination is to be attached, see **Figure 29** and **Table 9 on Page 21**.

If the terminus of the last section is not within this distance, use the **telescopic vent section SV8LA**, as the last vent section. For wall thicknesses greater than that shown in **Figure 28**, refer to **Table 9 on Page 21**. This table lists the additional venting components needed (in addition to the termination and adaptor) for a particular range of wall thicknesses.

K. Attach termination adaptor—Attach the adaptor (adaptor—SV8RCH—provided with the termination) to the vent section or telescoping vent section), or elbow as shown in **Figure 27** in the same manner as any SV vent component (refer to **Step E on Page 19**).

L. Install Firestop/Spacer at exterior wall—When using the square termination, install SV8HF Firestop/Spacer over the opening at the exterior side of the framing, long side up, with the 3" spacer clearance at the top as shown in **Figure 27**, and nail into place.

(The Firestop/Spacer may also be installed over the opening at the interior side of the framing).

M. Install the square termination (SV8HTS)—For the last step, from outside the exterior wall, slide the collars of the termination onto the adaptor (the outer over the outer and the inner inside the inner) until the termination seats against the exterior wall surface to which it will be attached. Orient the housing of the termination with the arrow pointed upwards. Secure the termination to the exterior wall. **The horizontal termination must not be recessed into the exterior wall or siding by more than the 1-1/4" (32 mm) as shown in Figure 28.**

IMPORTANT: The vent termination is hot while in operation and for a period of time following the use of the fireplace. Young children should be carefully supervised when they are in the same area as a hot termination.

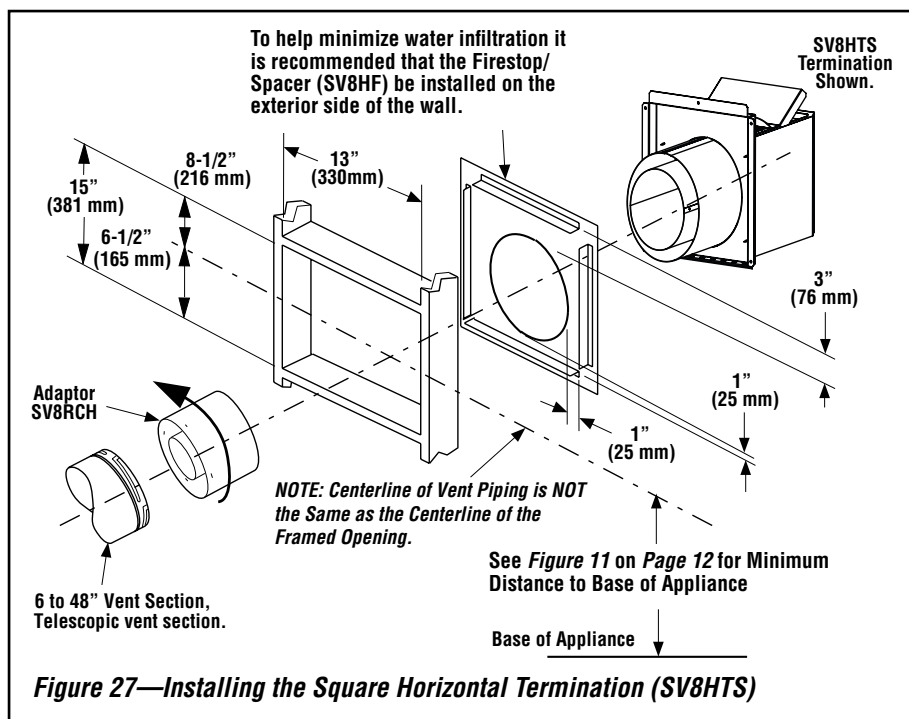
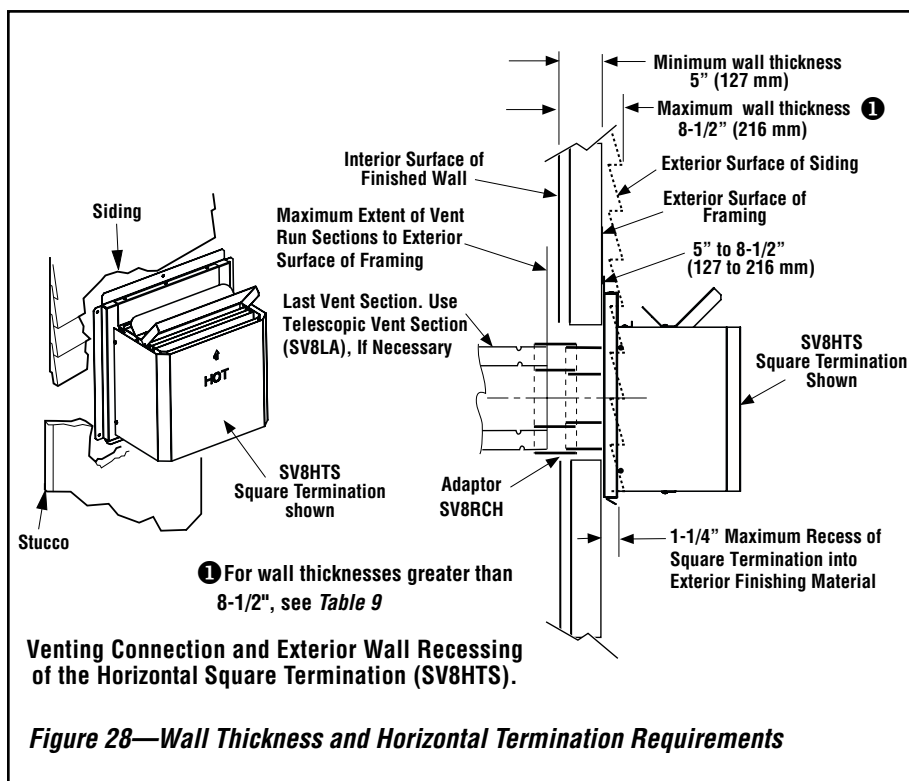


Figure 27—Installing the Square Horizontal Termination (SV8HTS)



Venting Connection and Exterior Wall Recessing of the Horizontal Square Termination (SV8HTS).

Figure 28—Wall Thickness and Horizontal Termination Requirements

Horizontal terminations have been designed to perform in a wide range of weather conditions. Our terminations meet or exceed industry standards.

When selecting the locations of your horizontal terminations, do not place the termination where water from eaves and adjoining rooflines may create a heavy flow of cascading water onto the termination cap. If the cap must be placed where the possibility of cascading water exists, it is the responsibility of the builder to direct the water away from the termination cap by using gutters or other means.

Take care to carefully follow the installation instructions for the termination, including the use of silicone caulking where required.

See **Table 9** as an aid in venting component selection for a particular range of exterior wall thicknesses.

Venting Components Required for Various Exterior Wall Thicknesses, when using Square Termination Kit (SV8HTS—see Figure 28)	
Vent Components Required	Exterior Wall Thickness— <i>inches (mm)</i>
Termination Kit Only	5 to 8-1/2 (127 to 216)
Termination Kit and 6" Vent Section (SV8L6)	9-3/4 to 14 (248 to 356)
Termination Kit and Telescopic Section (SV8LA)	6-3/4 to 15-1/4 (171 to 387)
Termination Kit and Telescopic Section (SV8LA) and 6" vent section (SV8L6)	11-1/4 to 19-3/4 (286 to 502)

Table 9

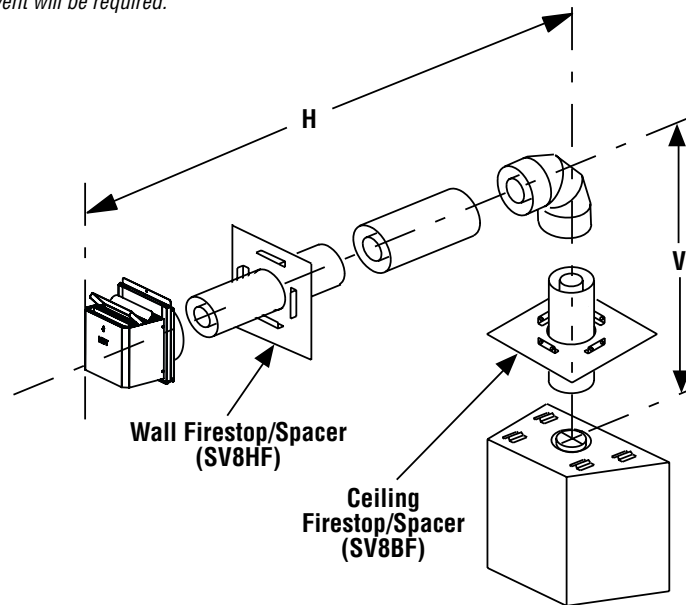
HORIZONTAL VENT FIGURES/TABLES

NOTES:

- **Secure Vent®** components (rigid vent pipe and terminal) are shown in the figures.
- Two 45° elbows may be used in place of one 90° elbow. The same rise to run ratios, as shown in the venting figures for 90° elbows, must be followed if 45° elbows are used.
- SV8BF (Secure Vent) firestop/spacer must be used anytime vent pipe passes through a combustible floor or ceiling. SV8HF (Secure Vent) firestop/spacer must be used anytime vent pipe passes through a combustible wall.
- **It is very important that the horizontal/inclined run be maintained in a straight (no dips), slightly elevated plane. The recommended incline is approximately 1/4" per foot (20 mm per meter) horizontal, in a direction away from the fireplace. The rise per foot run ratios that are smaller are acceptable all the way down to at or near level.**

Table C			
H Maximum		V Minimum	
feet	(meter)	feet	(meter)
3.5	(1.07)	2.5	(0.762)
6.5	(1.98)	3.5	(1.07)
8.5	(2.6)	4.5	(1.37)
10.5	(3.2)	5.5	(1.68)
12.5	(3.8)	6.5	(1.98)
14.5	(4.4)	7.5	(2.3)
16.5	(5.0)	8.5	(2.6)
18.5	(5.6)	9.5	(2.9)
20	(6.0)	10	(3.0)
V + H = 40 feet (12.4 m) Max. H = 20 ft. (6.2 m) Max.			

Example: If 20 feet of (H) horizontal vent run is needed, then 10 feet minimum of (V) vertical vent will be required.

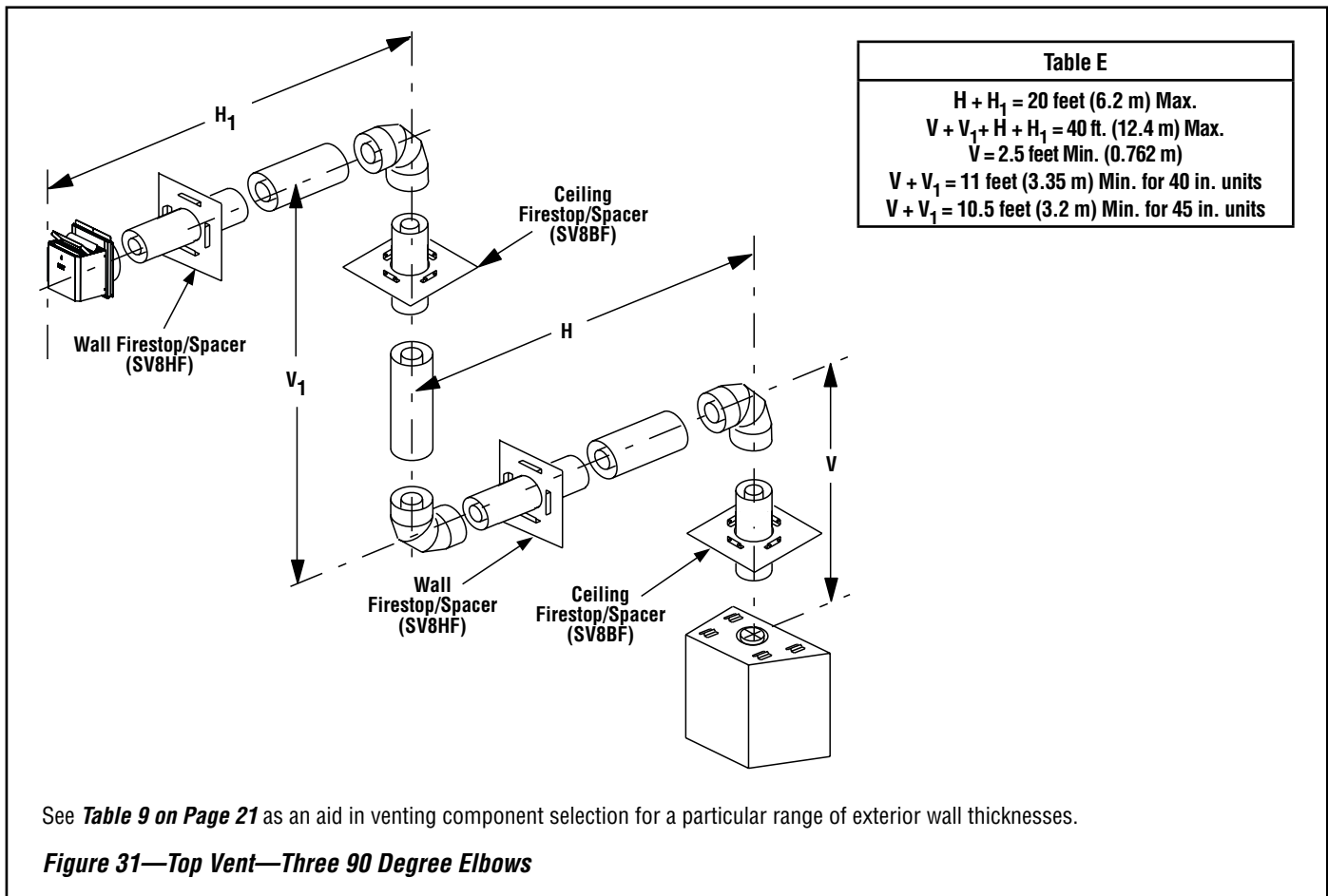
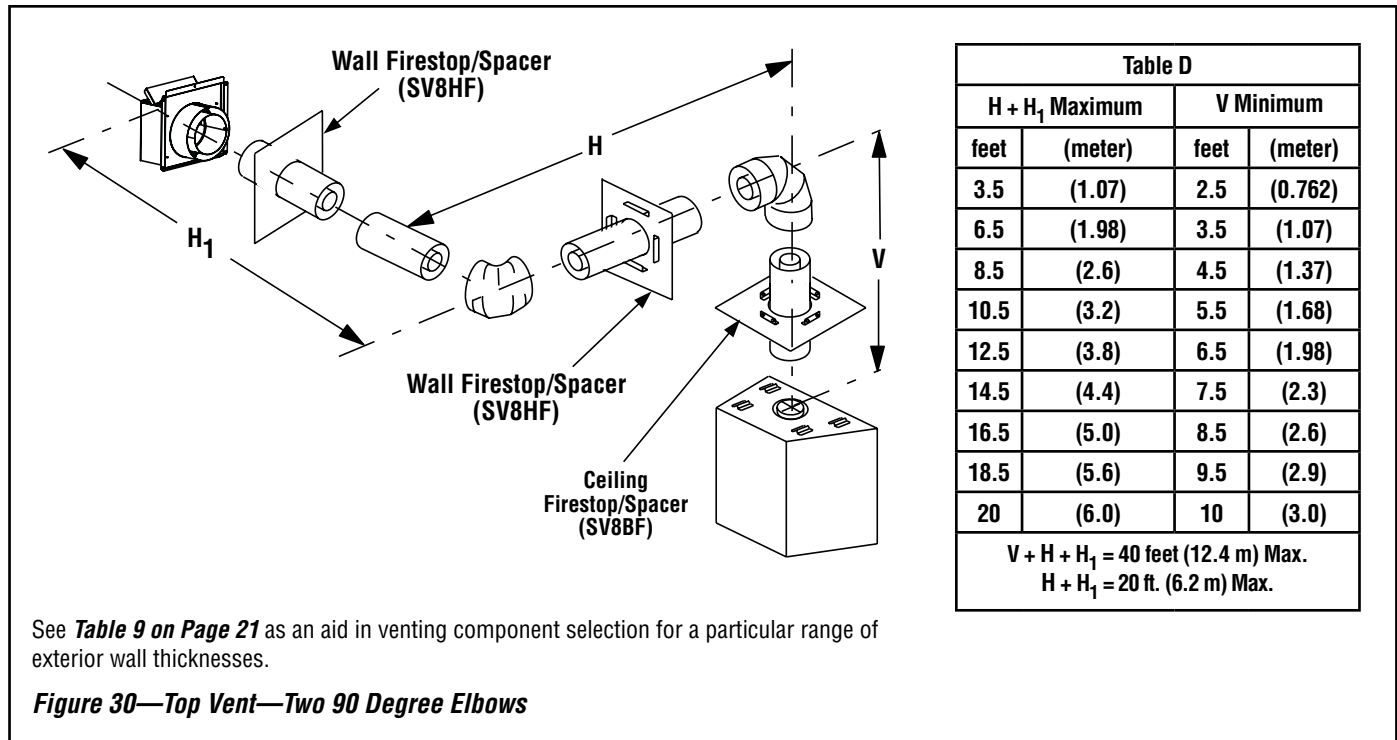


Square termination (SV8HTS) shown.

See **Table 9** as an aid in venting component selection for a particular range of exterior wall thicknesses.

Figure 29—Top Vent—One 90 Degree Elbow (Elbow Connection Not Directly at Appliance)

HORIZONTAL VENT FIGURES/TABLES
 (continued)



Step 4. FIELD WIRING

CAUTION

Ground supply lead must be connected to the wire attached to the green ground screw located on the outlet box. Failure to do so will result in a potential safety hazard. The appliance must be electrically grounded in accordance with local codes or, in the absence of local codes, the National Electrical Code, ANSI/NFPA 70-latest edition. (In Canada, the current CSA C22-1 Canadian Electrical Code).

CAUTION: Label all wires prior to disconnection when servicing controls. Wiring errors can cause improper and dangerous operation.

ATTENTION: Au moment de l'entretien des commandes, étiquetez tous les fils avant de les débrancher. Des erreurs de câblage peuvent entraîner un fonctionnement inadéquat et dangereux.

Verify proper operation after servicing.
S'assurer que l'appareil fonctionne adéquatement une fois l'entretien terminé.

The gas valve is set in place and pre-wired at the factory.

Electronic Wiring

NOTE: The electronic appliance must be connected to the main power supply.

1. Route a 3-wire 120Vac 60Hz 1ph power supply to the appliance junction box.
2. Remove the electrical inlet cover plate from the side of the unit by removing the plate's securing screws (see Figure 11 on Page 12).
3. Remove the cover plate's knockout and then feed the power supply wire through the knockout opening and into the unit junction box.
4. Connect the black power supply wire to the power outlet's red pigtail lead and the white power supply wire to the common terminal of the outlet as shown in Figures 32 and 33.
5. Connect the ground supply wire to the pigtail lead attached to outlet's green ground screw.

6. Install the wall-mounted ON/OFF control, as described in "Installing and initializing the Remote Control System" on Page 24, in a convenient location near the fireplace.
7. After the wiring is complete, replace the cover plate.

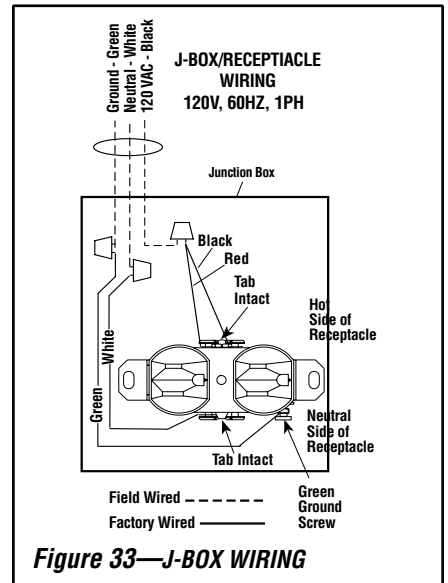


Figure 33—J-BOX WIRING

ELECTRONIC WIRING DIAGRAM

(Schematic representation only)

A wiring diagram is provided here for reference purposes only. This information is also provided on schematics attached directly to the appliance on a pullout panel located within the control compartment.

COLOR CODE:

B = Black
BB = Brown w/Black Stripe
BG = Brown w/Green Stripe
BL = Blue
BR = Brown
G = Green
GY = Gray
O = Orange
R = Red
W = White
Y = Yellow

Note: On models without pressure switch, these connectors are plugged together.

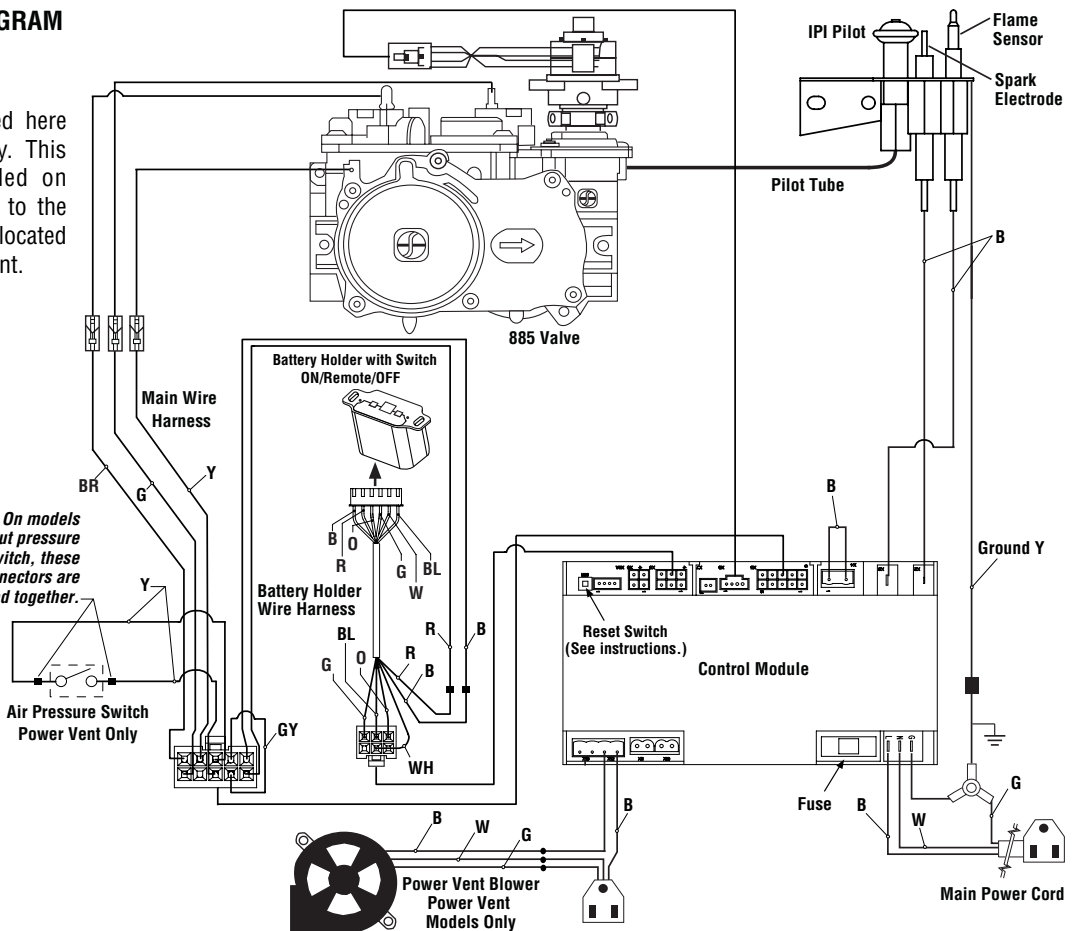


Figure 32

Installing and initializing the Remote Control System

REQUIRED ITEMS (not provided):

- Standard Junction Box
- Paper Clip or similar object (for remote control system initialization)

Installing and Wiring the Receiver (Wall Switch)

The receiver for the Total Comfort Control™ Remote Control System connects directly to the gas valve, stepper motor, and fan control module with an umbilical cord wiring harness.

1. Install a junction box (not provided) on the wall adjacent to the appliance, within reach of the remote system umbilical cord wiring harness. Position the 6-pin terminal within the junction box in preparation for attachment to the remote receiver.
2. When wall finish is complete, install the receiver in the previously installed junction box, and connect the 6-pin terminal to the 6-pin connector on the back of the receiver.
3. Install the receiver cover plate, taking care to ensure the receiver switch is properly indexed with the switch cover when aligning the components for attachments.

Initializing the Remote Control System

After completing fireplace installation, initialize the remote control system before operating the fireplace.

4. Insert the three (3) provided AAA batteries into the battery bay in the transmitter, taking care to correctly align polarity (+/-).
5. Insert the four (4) provided AA batteries into the receiver battery bay (behind the wall switch plate), taking care to correctly align polarity (+/-).
6. On the receiver, place the three-position slider switch in the REMOTE position (*Figure 34*).
7. On the receiver front cover, insert the end of a paper clip (or other similar object; not provided) into the hole marked "PRG."

The receiver will "beep" three times to indicate it is ready to synchronize with the transmitter.
8. On the transmitter, press the ON button. The receiver will "beep" four times to indicate acceptance of the transmitter's command (and set the receiver to the transmitter's specific code). The system is now initialized.

The remote control system provides remote operation of the following fireplace functions:

- Primary burner ON/OFF
- Flame height and heat output adjustment (six levels)

The receiver accepts commands via radio frequency from the transmitter and does not require line-of-sight operation.

The slider switch on the receiver can be set to one of three positions:

- ON (manual override)
- OFF (manual override)
- REMOTE (remote control)

See the fireplace Care and Operation Instructions for detailed instructions on using the remote control system to operate the fireplace.

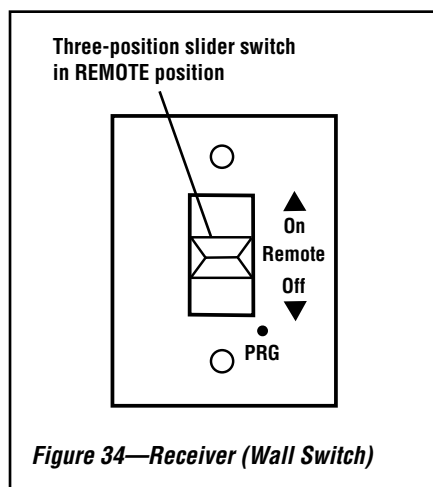


Figure 34—Receiver (Wall Switch)

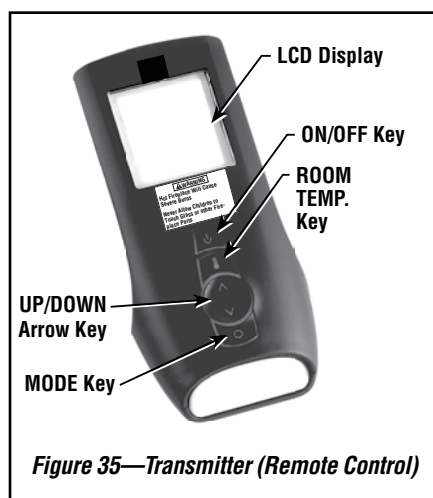


Figure 35—Transmitter (Remote Control)

! WARNING

Fire hazard. Can cause severe injury or death. The receiver causes ignition of the appliance. The appliance can turn on suddenly. Keep away from the appliance burner when operating the remote system or activating manual bypass of the remote system.

! CAUTION

Property damage hazard. Excessive heat can cause property damage. The appliance can stay lit for many hours. Turn off the appliance if it is not going to be attended for any length of time. Always place the transmitter where children can not reach it.

Step 5. REMOVE GLASS DOOR FRAME

Remove the glass door assembly. See *Installation and Removal of Glass Door* on Page 28.

Step 6. CONNECTING GAS LINE

All codes require a shut-off valve mounted in the supply line. The orientation of the shut-off valve should face the front. **Figure 36** illustrates two methods for connecting the gas supply. A Sediment Trap is recommended to prevent moisture and debris in gas line from damaging the valve.

The flex-line method is acceptable in the U.S.A. where local codes permit, however, Canadian requirements vary depending on locality. Installation must be in compliance with local codes. These appliances are equipped with a gas flex-line for use in connecting the unit to the gas line. See **Figure 36** for flex-line description. The flex-line is rated for both natural and propane gas. A manual shut off valve is also provided with the flex-line.

The gas control valve is located on the right side of the unit.

When using solid gas line connector, access the valve by removing the front door assembly on the valve access side and the access plate (see **Figure 37**).

The electronic control valve has a 3/8" (10 mm) NPT thread gas supply inlet.

Bring the shutoff valve on the end of the flex-line over to the hard pipe and tighten with wrenches from above through the firebox opening.

Secure all joints tightly using appropriate tools and sealing compounds (ensure propane resistant compounds are used in propane applications). It is recommended to seal around the gas line to prevent cold air leakage.

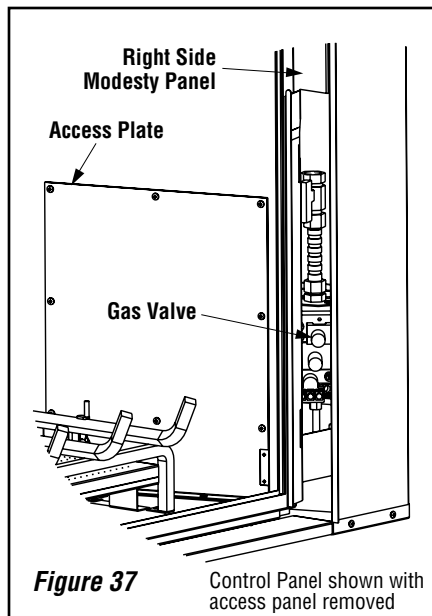


Figure 37 Control Panel shown with access panel removed

TEST ALL CONNECTIONS FOR GAS LEAKS (FACTORY AND FIELD):



Turn on gas supply and test for gas leaks using a gas leak test solution (also referred to as bubble leak solution).

NOTE: Using a soapy water solution is an effective leak test solution but it is not recommended, because the soap residue that is left on the pipes/fittings can result in corrosion over time.

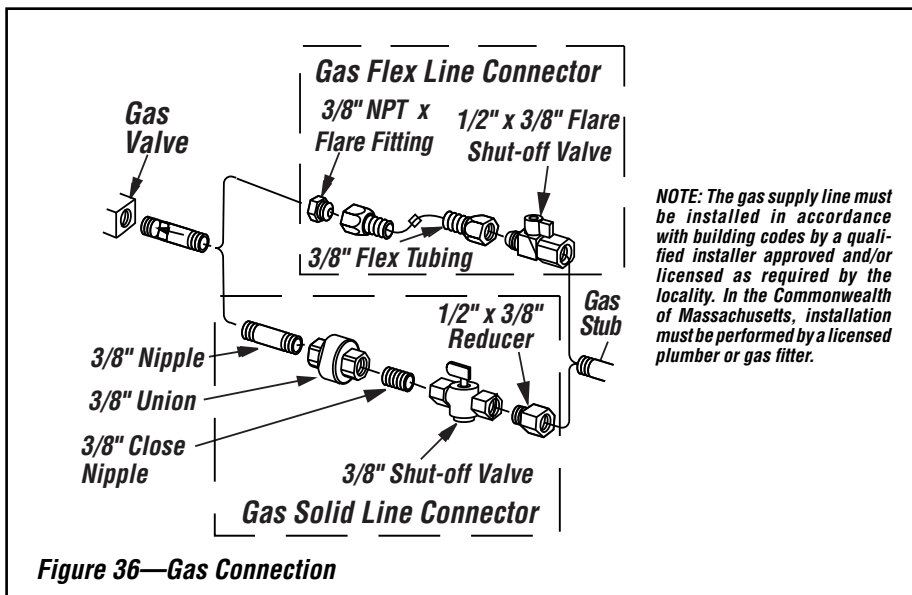


Figure 36—Gas Connection

NOTE: The gas supply line must be installed in accordance with building codes by a qualified installer approved and/or licensed as required by the locality. In the Commonwealth of Massachusetts, installation must be performed by a licensed plumber or gas fitter.

- A. Light the appliance (refer to the lighting instructions label in the control compartment or in the Care and Operation Instructions manual).
- B. Brush all joints and connections with the gas leak test solution to check for leaks. If bubbles are formed, or gas odor is detected, turn the receiver or remote control to the "OFF" position. Either tighten or refasten the leaking connection, then retest as described above.
- C. When the gas lines are tested and leak-free be sure to rinse off the leak testing solution.
- D. Re-install the access plate, making certain the gasket has not been damaged.

Step 7. CHECKING APPLIANCE OPERATION

Turn on burner then observe the individual tongues of flame on the burner. Make sure all ports are open and producing flame evenly across the burner. If any ports are blocked, or partially blocked, clean out the ports.

With gas line installed run initial system check-out before closing up the front of the unit. Follow the lighting instructions provided in the instruction manual. Subsequent lighting of the appliance will not require such purging. Inspect the pilot flame (remove logs, if necessary, handling carefully).

NOTE: Lighting Instructions are also found on the literature tag tied to the bracket above the gas valve. To access the tag, reach into the right side opening.

When first lighting the appliance, it will take a few minutes for the line to purge itself of air. Once purging is complete, the pilot and burner will light and operate as indicated in the instruction manual. Subsequent lighting of the appliance will not require such purging. Inspect the pilot flame (remove logs, if necessary, handling carefully).

Electronic Appliance Checkout

To light the burner, turn "ON" the optional remote wall switch or turn the appliance mounted ON/OFF switch to the "ON" position. Ensure the igniter lights the pilot. The pilot flame should engulf the flame sensor as shown in **Figure 38**.

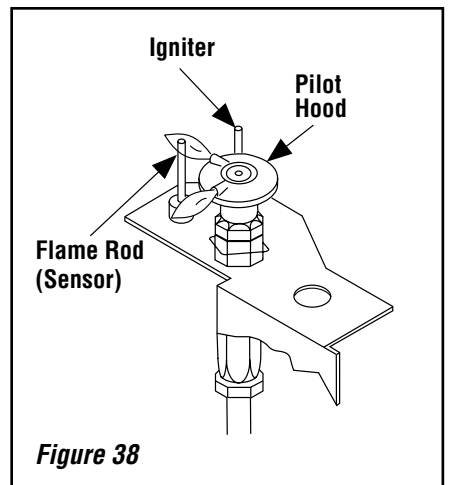


Figure 38

Step 8. INSTALL VOLCANIC STONE, GLOWING EMBERS, AND LOGS (Traditional Only), or GLASS MEDIA (Contemporary Only)

NOTE: If installing the Contemporary Burner/Floor Kit, skip this step and instead refer to the instructions provided with the kit.

! WARNING

- **DO NOT** operate this appliance without the required accessories properly installed:
- floor (log set or contemporary kit), and
- firebox liner panels (ceramic or porcelain).

! WARNING

- **DO NOT** attempt to install the logs until the appliance installation has been completed, the gas line connected and tested for leaks and the initial burner operation has been checked out.
- The size and position of the log set was engineered to give the appliance a safe, reliable and attractive flame pattern. Any attempt to use a different log set in the fireplace will void the warranty and will result in incomplete combustion, sooting, and poor flame quality.
- Logs get very hot and will remain hot up to one hour after gas supply is turned off. Handle only when logs are cool. Turn off all electricity to the appliance before you install grate, volcanic stone, embers and logs.
- This appliance is not designed to burn wood. Any attempt to do so could cause irreparable damage to the appliance and prove hazardous to your safety.
- If logs are not installed according to the log installation instructions, flame impingement and improper combustion could occur and result in soot and/or excessive production of carbon monoxide (CO), a colorless, odorless, toxic gas.

Step 1. Install the ceramic or porcelain firebox liner panels per the instructions provided in kit.

Step 2. Place volcanic stone around the burner (the entire bag of volcanic stone will NOT be used). **DO NOT PLACE VOLCANIC STONE ON THE BURNER.** See **Figure 41**.

Step 3. Separate the glowing embers (rockwool) into pieces about the size of a quarter (see **Figure 39**). Keep the pieces fluffed, not matted. Distribute these pieces over the burner as shown in **Figure 40**. Do not use more than necessary. When properly positioned, the Glowing Embers will cover approximately 75% of the burner on natural gas. For propane gas, do not place embers on main ports.

NOTE: Excessive use of embers may result in sooting or poor flame. This appliance is provided with enough Glowing Embers for several applications, do not feel compelled to use all that is in a new bag. For best glowing effect, replace the ember material annually. Replacement Glowing Embers are available (Catalog Number 88L53).

Step 4. Position the individual logs as shown in **Figures 42 through 46**. Logs should be placed in the order shown. **Place logs 2 and 3 against the pins on the grate, NOT over them.**

Proper log and twig placement is critical to encourage outstanding flame appearance and prevent sooting. When positioned properly as shown, twigs will be positioned between flame peaks and will not impinge any flames.

Cat. No.	Model	Description
88L53	FGE	Bag of Glowing Embers
80L42	FDVS	Bag of Volcanic Stone
H8312	PGE	Bag of Platinum Embers

Table 10—Firebox Accessories / Parts

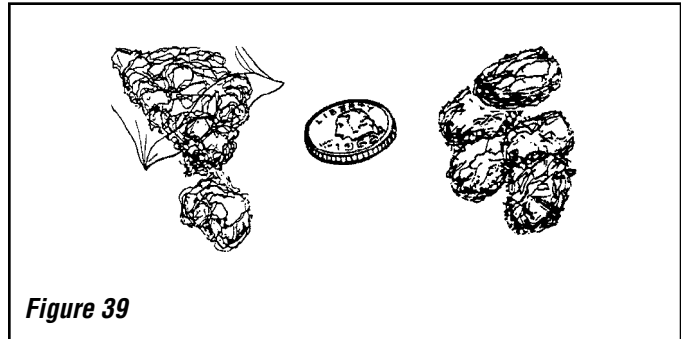


Figure 39

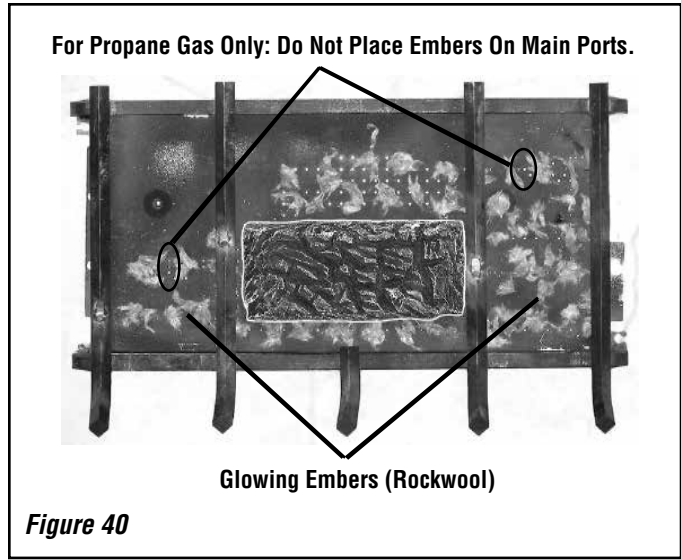


Figure 40

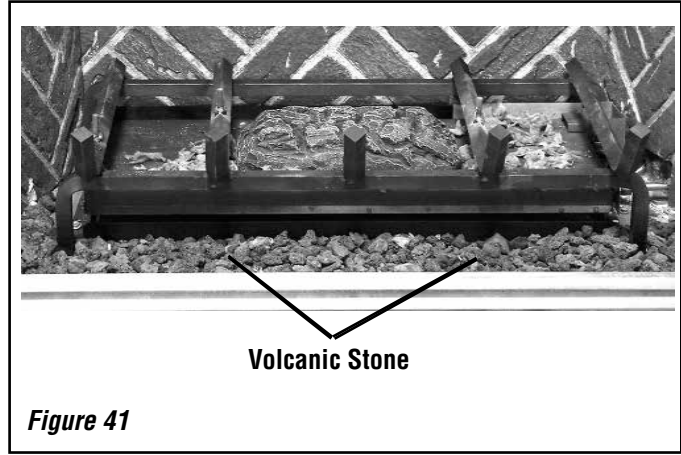
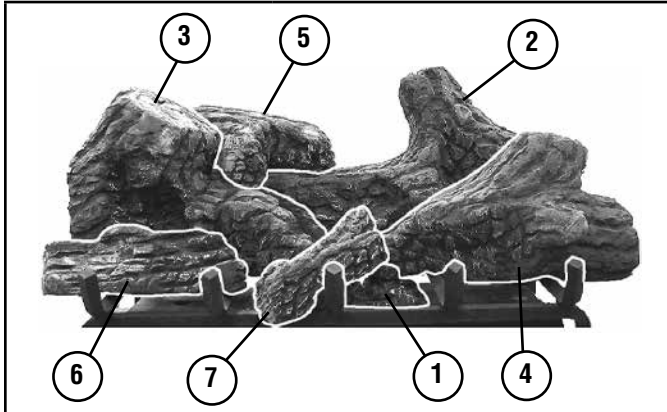


Figure 41

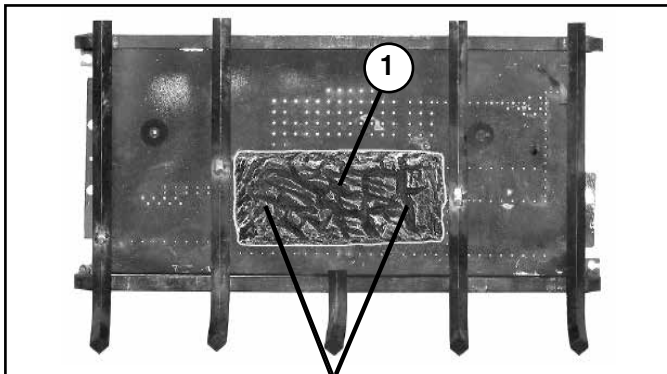
NOTE: DIAGRAMS & ILLUSTRATIONS ARE NOT TO SCALE

Traditional Only: Log Placement



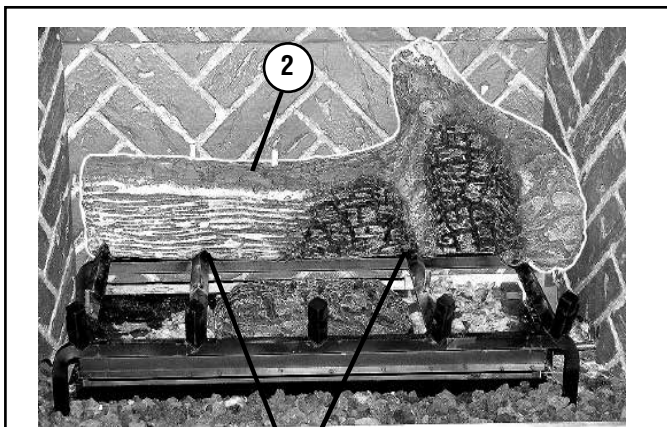
Log Number	Description
1	Log, Center
2	Log, Rear
3	Log, Center/Left
4	Log, Center/Right
5	Log, Rear/Top
6	Log, Front/Left
7	Log, Front/Center

Table 6 - Log Set



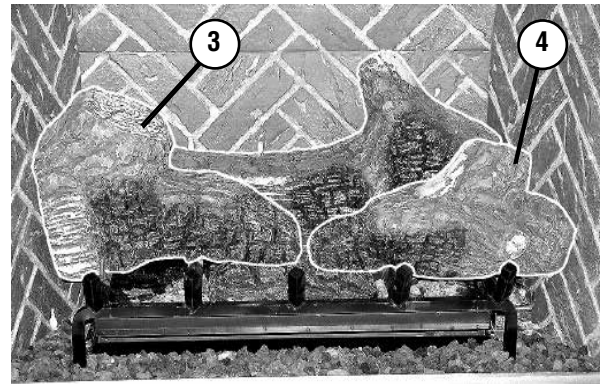
Align Two Holes At Bottom Of Log (1) Over The Pins On The Gas Burner.

Figure 42 - Placing Log 1



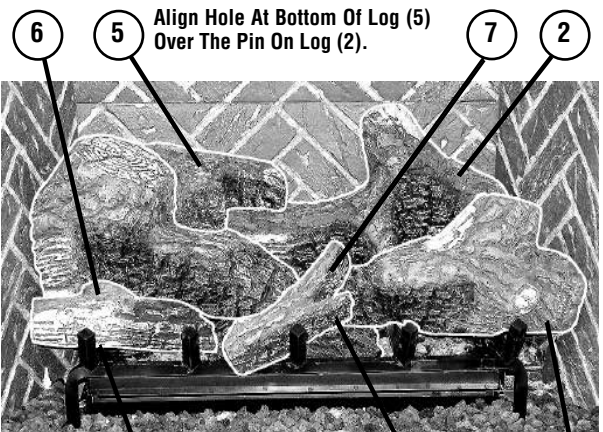
Align Groove At The Bottom Of Log (2) Over The Grate And Push It Towards The Rear.

Figure 43 - Placing Log 2



Engage Logs (3 & 4) With The Grate Pins And Align Grooves At The Bottom Of The Logs Over The Grate.

Figure 44 - Placing Logs 3 and 4



Engage Log (6) With The Grate Pin And Align Groove At The Bottom Of The Log Over The Grate.

Engage Log (7) With The Pin On Log (4).

Figure 45 - Placing Logs 5, 6, and 7

Contemporary Only: Glass Media Placement

1. Spread a thin layer of the media evenly on the burner and media screen.



Figure 46 - Glass media installed

2. On the corner of the right media screen, arrange the media to allow the pilot flame to reach the burner during lighting.

Step 9. INSTALLATION AND REMOVAL OF GLASS DOOR

WARNING

- When reinstalling the glass door, the door latch screws must be securely tightened to prevent the glass door from falling out, which could potentially cause damage and possible injury.
- Do not attempt to substitute the materials used on this door, or replace cracked or broken glass.
- Handle this glass with extreme care! Glass is susceptible to damage — Do not scratch or handle roughly while reinstalling the glass door frame.
- The glass door of this appliance must only be replaced as a complete unit as provided by the manufacturer. Do not attempt to replace broken, cracked or chipped glass separately.
- Do not attempt to touch the front enclosure glass with your hands while the fireplace is in use.

! WARNING

Do not operate appliance with the glass front removed, cracked or broken.

! AVERTISSEMENT

Ne pas utiliser l'appareil si le panneau frontal en verre n'est pas en place, est craqué ou brisé.

Installing Glass Enclosure Panel (see Figure 47)

Retrieve the glass door. Visually inspect the gasket on the backside of the frame. Gasket surface must be clean, free of irregularities and seated firmly.

Position the door in front of the firebox opening with the top of the door held away from the fireplace (Figure 47). Lower the bottom of the door assembly on the bottom door track and set on padded surface. Pivot the door up after engaging and centering in the base channel.

Using a Phillips screwdriver, fasten the door frame to the door latch with the two (2) screws. The latch should pull forward to engage the door frame.

Install the door modesty shield on top flange glass door as follows: grab the door modesty shield with both hands, with the open hem going down and engage it with the upper lip of the glass door frame by pushing it all the way down. Make sure the installed shield is firmly in place.

Barrier (see Notice, Page 28)

This fireplace comes with a barrier to reduce the likelihood of burns from touching hot glass. If the barrier is damaged, the fireplace should be turned off immediately and the fireplace must not be operated until a new, approved factory barrier for this unit is installed.

To remove barrier follow these steps.

1. Lift barrier up by the frame at the top.
2. Remove lower filler piece by pulling down off of the barrier.
3. Lower barrier and push barrier to left to release right side.
4. Pull the right side out of fireplace.
5. Remove barrier.

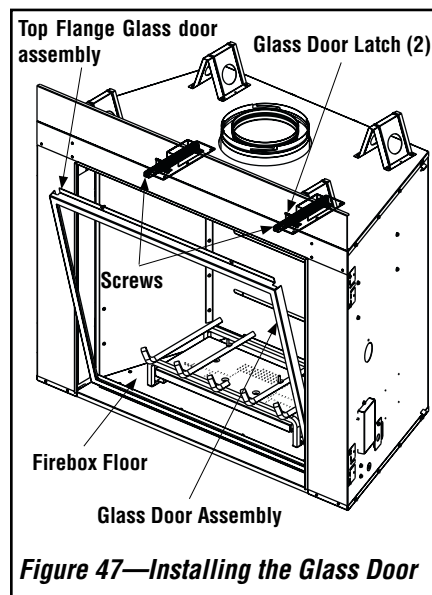


Figure 47—Installing the Glass Door

Step 10. BURNER ADJUSTMENTS

Flame Appearance and sooting

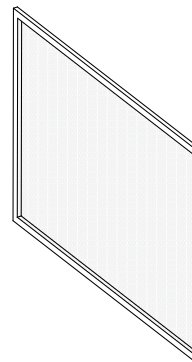
Proper flame appearance is a flame which is blue at the base and becomes yellowish-orange in the body of the flame. When the appliance is first lit, the entire flame may be blue and will gradually turn yellowish-orange during the first 15 minutes of operation. After 15 minutes of operation, if the flame is blue, or if the flame is orange with evidence of sooting (black tip), the air shutter opening may need to be adjusted.

If the air shutter opening is closed too far, sooting may develop. Sooting is indicated by black puffs developing at the tips of very long orange flames. Sooting results in black deposits forming on the logs, appliance inside surfaces and on exterior surfaces adjacent to the vent termination.

Sooting is caused by incomplete combustion in the flames and lack of combustion air entering the air shutter opening. To achieve a warm yellowish-orange flame with an orange body that does not soot, the shutter opening must be adjusted between these two extremes.

NOTICE: All DRT/DRC6300 model fireplaces include a barrier to reduce the risk of burns from hot viewing glass. This barrier in the fireplace is a screen shown right.

40" Barrier Cat. No. J7422
45" Barrier Cat. No. J7423



Air Shutter Adjustment Guidelines

- If there is smoke or soot present, first check the log set positioning to ensure that the flames are not impinging on any of the logs. If the log set is properly positioned and a sooting condition still exists, then the air shutter opening should be increased.
- The more offsets in the vent system, the larger the air shutter opening will need to be.
- An appliance operated with the air shutter opened too far, may have flames that appear blue and transparent. These weak, blue and transparent flames are termed anemic.
- Propane models may exhibit flames which candle or appear stringy. If this is present and persists, adjust the air shutter to a more closed position, then operate the appliance for a period of time as the effect diminishes, ensuring that the appliance does not develop sooty flames. When satisfied that the appliance operates properly, proceed to finish the installation.

The following chart is provided to aid you in achieving the correct air shutter adjustment for your installation.

Amount of Primary Air	Flame Color	Air Shutter Adjustment
If air shutter is closed too far →	Flame will be orange →	Air shutter gap should be increased
If air shutter is open too far →	Flame will be blue →	Air shutter gap should be decreased

Burner Air Shutter Adjustment Procedure

⚠ WARNING

- Air shutter adjustment should only be performed by a qualified professional service technician.
- Ensure that the front glass door assembly is in place and sealed After adjustment.

⚠ CAUTION

Soot will be produced if the air shutter is closed too much. Any damage due to carboning resulting from improperly setting the air shutter is not covered under the warranty.

To adjust the flame, rotate the air shutter toward the back or toward the front of the fireplace. Position the air shutter to the factory setting as shown in the table in **Figure 48**. Allow the burner to operate for at least 15 minutes. Observe the flame continuously. If it appears weak or sooty as previously described, adjust the air shutter until the flame appearance is as desired.

Use the remote to adjust the flame height as desired.

Propane models may exhibit a flame pattern that may candle or appear stringy. If this is problematic or persists as the appliance is continually operated, adjust the air shutter closed as described in the previous paragraphs. Operate the appliance for a period of time as the effect diminishes, ensuring that the appliance does not develop sooty flames. When satisfied that the appliance operates properly, proceed to finish the installation.

Main Burner Factory Air Shutter Opening Setting—Inches (millimeter)		
Model	Nat. Gas	Propane Gas
40 in.	1/16 (1.59)	9/32 (7.14)
45 in.	1/16 (1.59)	9/32 (7.14)

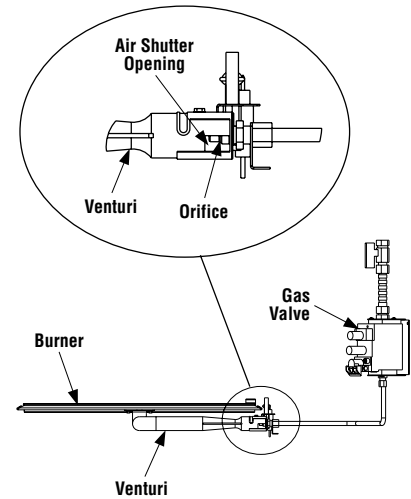


Figure 48



Figure 49—Burner Flame Appearance

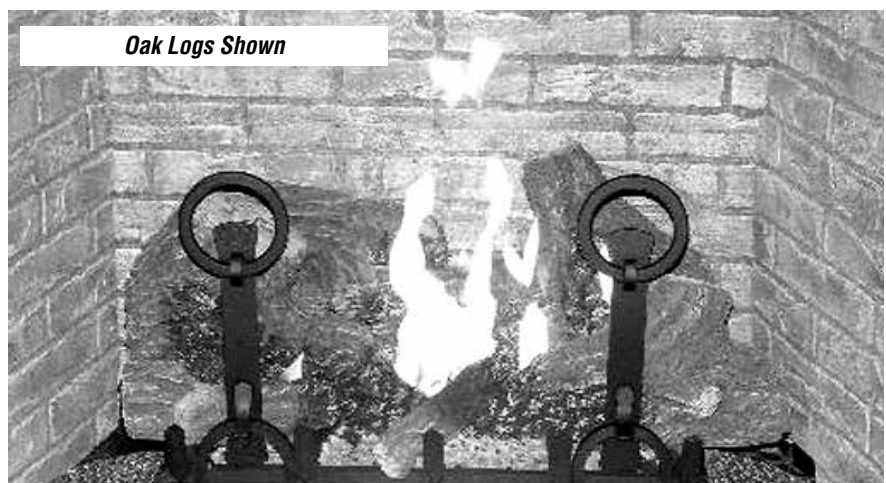
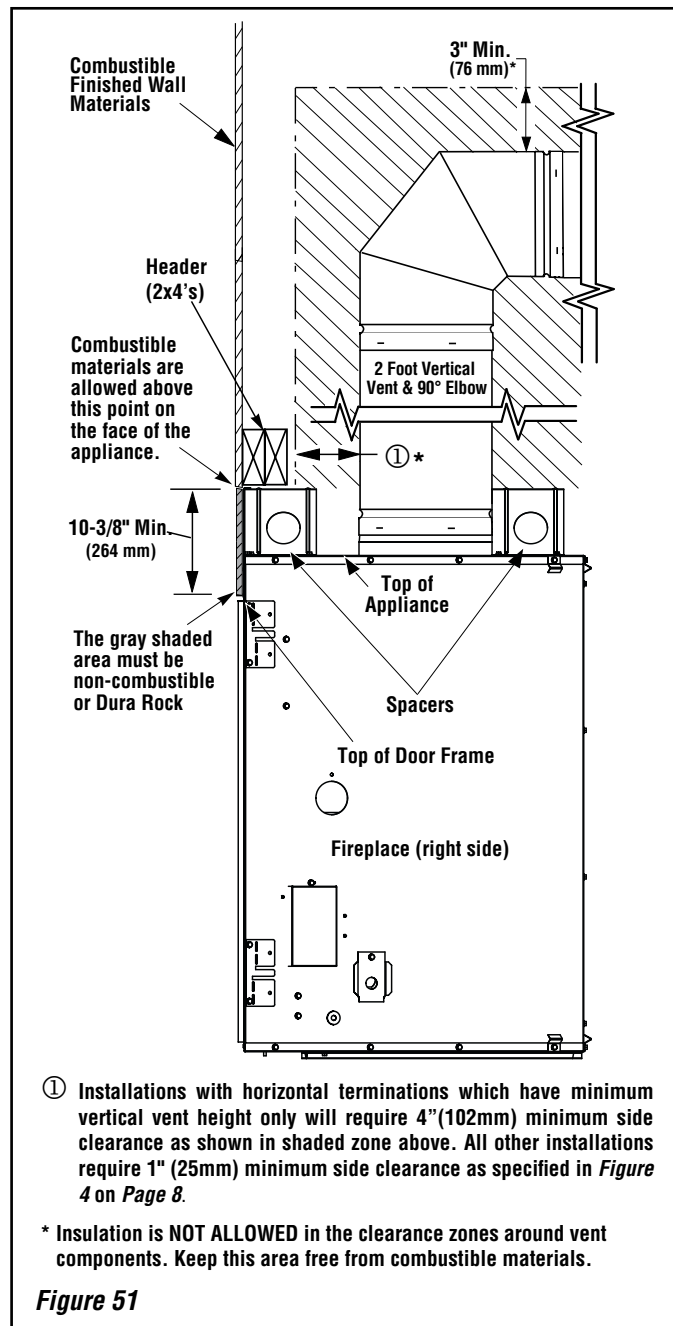


Figure 50—Burner Flame Appearance

FINISHING REQUIREMENTS

Wall Details

Complete finished interior wall. To install the appliance facing flush with the finished wall, position framework to accommodate the thickness of the finished wall (**Figure 51**).

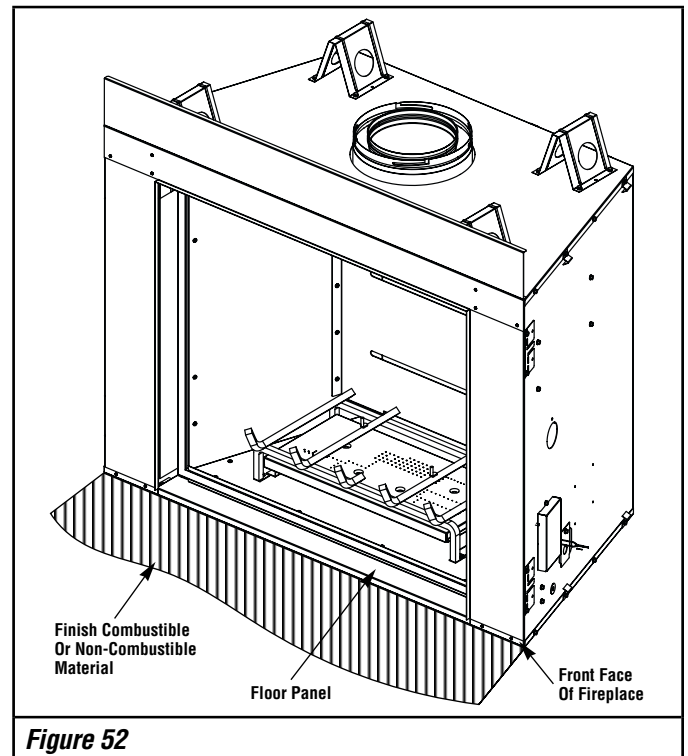


NOTE: A hearth extension is not required with this appliance.

Non-combustible materials, such as surrounds and other appliance trim, may be installed on the appliance front face with the exceptions.

Vertical installation clearances to combustible mantels vary according to the depth of the mantel (see **Figure 8**). Mantels constructed of non-combustible materials may be installed at any height above the appliance opening.

Combustible materials may project beyond the side of the fireplace opening as long as it is kept within the shaded area illustrated in **Figure 9**.



NOTE: A finish trim piece is shipped with your fireplace to extend the base 1/2" to be flush with the finish flanges on the side of the fireplace. This filler is shipped on top of the fireplace wrapped in foam. If desired this piece can be placed on the base of the fireplace. It is secured with bend tabs on either side. Lay the extension in front of the base then secure by bending tabs on each side over to secure to the base. While this piece is provided it is not required.

Step 11. INSTALLER INSTRUCTIONS—ATTACHING SAFETY-IN-OPERATION WARNINGS

It is the installers responsibility to ensure these warnings are properly affixed during installation. These warning labels are a critical step in informing consumers of safe operation of this appliance.

ATTACHING SAFETY IN OPERATION WARNINGS

It is required that the set of safety instruction labels that have been furnished with the fireplace be affixed to the operation and control points of the fireplace. A safety instruction label must be affixed to the receiver wall switch plate where the fireplace is turned on and off (See **Figure A**) and on the remote control handheld transmitter (See **Figure B**). To properly complete the installation of this fireplace, locate the multi-lingual adhesive labels provided with the Care and Operation Instructions and proceed as follows:

1. Locate the wall receiver that controls the fireplace (verify the switch operates the fireplace by turning it on and off). Clean the wall receiver plate thoroughly to remove any dust and oils. Affix the label to the surface of the plate of the wall receiver that controls the fireplace (**Figure A**). Choose the language primarily spoken in the home. If unknown, affix the English language label.
2. Locate the remote control transmitter and clean it thoroughly to remove any dust and oils. Affix the label to the surface of handheld transmitter (**Figure B**). Choose the language primarily spoken in the home. If unknown, affix the English language label.
3. If you are unable to locate the labels, please call Innovative Hearth Products or your nearest Innovative Hearth Products dealer to receive additional safety instruction labels free of charge.

Cat. No. H8024 Replacement Label Kit
SuperiorFireplaces.com

NOTE: English is red text on clear label. French and Spanish are white text on black label.

APPOSITION DES MISES EN GARDE RELATIVES À LA SÉCURITÉ D'UTILISATION

Il est impératif que le jeu d'étiquettes de sécurité qui ont été fournies avec le foyer soient collées à côté des dispositifs de contrôle du foyer. Une étiquette de sécurité doit être collée sur la plaque du récepteur mural contrôlant l'allumage du foyer (voir **Figure A**) et sur le boîtier de la télécommande (**Figure B**). Pour achever l'installation correcte de ce foyer, procédez comme suit avec les étiquettes adhésives en langues étrangères fournies avec les instructions d'utilisation et d'entretien:

1. Repérez le récepteur mural qui contrôle le foyer (vérifiez que l'interrupteur contrôle le fonctionnement du foyer en le faisant basculer de Marche à Arrêt, et vice-versa). Nettoyez soigneusement la plaque du récepteur mural pour éliminer la poussière et les traces de graisse ou d'huile. Collez l'étiquette sur la surface de la plaque du récepteur mural qui contrôle le foyer (**Figure A**). Choisissez la langue qui est principalement parlée dans la résidence du propriétaire. En cas de doute, collez l'étiquette en anglais.
2. Repérez la télécommande et nettoyez-la soigneusement pour éliminer la poussière et les traces de graisse ou d'huile. Collez l'étiquette sur le boîtier de la télécommande (**Figure B**). Choisissez la langue qui est principalement parlée dans la résidence du propriétaire. En cas de doute, collez l'étiquette en anglais.
3. Si vous ne trouvez pas les étiquettes, veuillez appeler InnovativeHearthProducts ou votre distributeur Innovative Hearth Products local pour recevoir gratuitement des étiquettes supplémentaires.

Étiquettes de remplacement, n° cat. H8024
SuperiorFireplaces.com

Remarque : Le texte anglais est rouge sur un support transparent. Le texte français et espagnol est blanc sur un support noir.

COLOCACIÓN DE ADVERTENCIAS DE SEGURIDAD EN OPERACIÓN

Se requiere que el juego de etiquetas de instrucciones de seguridad que se incluyeron con la chimenea se coloque en los puntos de operación y control de la misma. Se debe colocar una etiqueta de instrucciones de seguridad en la placa del interruptor de pared del receptor desde el cual se enciende y se apaga la chimenea (ver la **Figura A**) y en el transmisor de control remoto (ver la **Figura B**). Para completar correctamente la instalación de esta chimenea, encuentre las etiquetas adhesivas multilingües incluidas con las instrucciones de cuidado y operación y haga lo siguiente:

1. Identifique el receptor de pared que controla la chimenea (verifique que el interruptor opera la chimenea encendiéndola y apagándola). Limpie bien la placa del receptor de pared para quitar el polvo y aceite. Pegue la etiqueta en la superficie de la placa del receptor de pared que controla la chimenea (**Figura A**). Seleccione el idioma que más se habla en la casa. Si no sabe cuál es, use la etiqueta en inglés.
2. Identifique el transmisor de control remoto y límpielo bien para quitar el polvo y aceite. Pegue la etiqueta en la superficie del transmisor (**Figura B**). Seleccione el idioma que más se habla en la casa. Si no sabe cuál es, use la etiqueta en inglés.
3. Si no puede encontrar las etiquetas, sírvase llamar a Innovative Hearth Products o al distribuidor de Innovative Hearth Products más cercano para recibir etiquetas de instrucciones de seguridad adicionales gratuitas.

Juego de etiquetas de repuesto—N° de cat. H8024
SuperiorFireplaces.com

Nota: La etiqueta en inglés es transparente con texto rojo. Las etiquetas en francés y español son negras con texto blanco.

SAFETY LABEL DIAGRAMS



DIAGRAMMES DES ÉTIQUETTES DE SÉCURITÉ



DIAGRAMAS DE ETIQUETAS DE SEGURIDAD



Illustrations are for example only. Your accessories may be different.

Les illustrations sont par exemple uniquement. Vos accessoires peuvent être différents.

Las ilustraciones son sólo ejemplos. Tu accesorios pueden ser diferentes.

Figure A

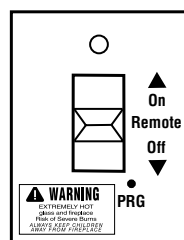
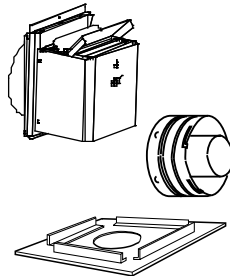
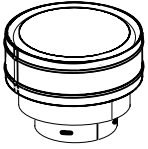
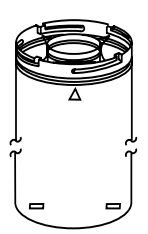
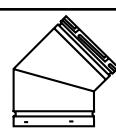
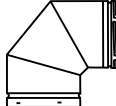
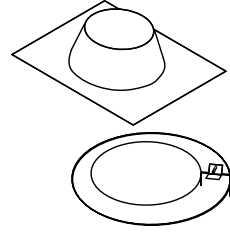
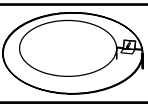
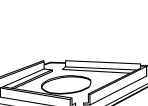
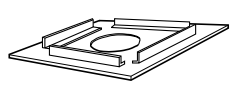
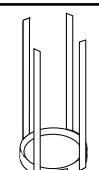
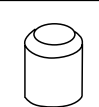


Figure B



INSTALLATION ACCESSORIES

Listed Secure Vent® Components			
	Cat. No.	Model No.	Description
	H2266	SV8HTS	Horizontal Square Termination with Firestop/Spacer (H2260) and Adaptor (H2267)
	H2265	SV8VTR	Vertical Termination
	H2250	SV8L6	6" (152mm) Vent Section
	H2251	SV8L12	12" (305mm) Vent Section
	H2252	SV8L24	24" (610mm) Vent Section
	H2253	SV8L36	36" (914mm) Vent Section
	H2254	SV8L48	48" (1219mm) Vent Section
	H2255	SV8LA	Telescopic Section
	H2256	SV8E45	45 Degree Elbow
	H2257	SV8E90	90 Degree Elbow
	The following flashings come packaged with a storm collar		
	H3236	SV8F	Flat Roof Flashing
	H2258	SV8FA	1/12 to 7/12 Adjustable Flashing
	H2259	SV8FB	7/12 to 12/12 Adjustable Flashing
	H3237	SV8SC6	Storm Collars, 6 pack
	H2260	SV8HF	Firestop/Spacer—Horizontal (3-1-1 spacing)
	H2261	SV8BF	Firestop/Spacer—Vertical (1-1-1 spacing)

	H2262	SV8SU	Support Strap
	H2263	SV8SP	Support Plate
	H3908	SV8ARSA	Attic Insulation Shield (adjustable 12" to 22")

GAS CONVERSION KITS

! WARNING

This conversion kit shall be installed by a qualified service agency in accordance with the manufacturer's instructions and all applicable codes and requirements of the authority having jurisdiction. If the information in these instructions is not followed exactly, a fire, explosion or production of carbon monoxide may result causing property damage, personal injury or loss of life. The qualified service agency is responsible for the proper installation of this kit. The installation is not proper and complete until the operation of the converted appliance is checked as specified in the manufacturer's instructions supplied with the kit. The qualified service agency performing this installation assumes responsibility for this conversion.

! AVERTISSEMENT

Cette trousse de conversion doit être installée par un technicien agréé, selon les instructions du fabricant et selon toutes les exigences et tous les codes pertinents de l'autorité compétente. Assurez-vous de bien suivre les instructions dans cette notice pour réduire au minimum le risque d'incendie, d'explosion ou la production de monoxyde de carbone pouvant causer des dommages matériels, des blessures ou la mort. Le technicien agréé est responsable de l'installation de cette trousse. L'installation n'est pas adéquate ni complète tant que le bon fonctionnement de l'appareil converti n'a pas été vérifié selon les instructions du fabricant fournies avec la trousse. Le fournisseur de service qualifié ayant réalisé l'installation assume les responsabilités liées à la conversion.

In Canada:

THE CONVERSION SHALL BE CARRIED OUT IN ACCORDANCE WITH THE REQUIREMENTS OF THE PROVINCIAL AUTHORITIES HAVING JURISDICTION AND IN ACCORDANCE WITH THE REQUIREMENTS OF THE CAN/CGA-B149.1 INSTALLATION CODE.

LA CONVERSION DEVRA ÊTRE EFFECTUÉE CONFORMÉMENT AUX RECOMMANDATIONS DES AUTORITÉS PROVINCIALES AYANT JURISDICTION ET CONFORMÉMENT AUX EXIGENCES DU CODE D'INSTALLATION CAN/CGA-B149.1.

Gas conversion kits are available to adapt your appliance from the use of one type of gas to the use of another. These kits contain all the necessary components needed to complete the task including labeling that must be affixed to ensure safe operation.

Kit part numbers are listed below, and the following steps detail the conversion procedure.

Natural Gas to Propane Gas Conversion Kits		
Fireplace	Conversion Kit Model No.	Cat. No.
40 in.	GCK-MDLX40NP	H8668
45 in.	GCK-MDLX45NP	H8669

Propane Gas to Natural Gas Conversion Kits		
Fireplace	Conversion Kit Model No.	Conversion Kit Cat. No.
40 in.	GCK-MDLX-40PN	H8670
45 in.	GCK-MDLX-45PN	H8671

Step 1. TURN OFF THE GAS SUPPLY TO THE APPLIANCE and disconnect power supply at the circuit breaker. Ensure appliance is cold.

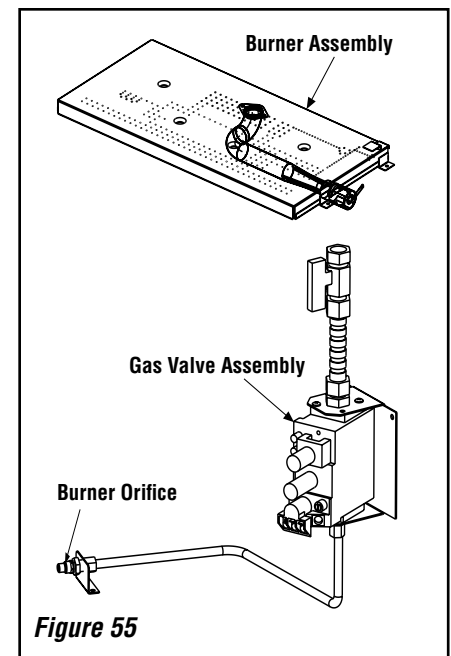
CAUTION: THE GAS SUPPLY SHALL BE SHUT OFF PRIOR TO DISCONNECTING THE ELECTRICAL POWER, BEFORE PROCEEDING WITH THE CONVERSION.

ATTENTION. AVANT D'EFFECTUER LA CONVERSION, COUPEZ D'ABORD L'ALIMENTATION EN GAZ, ENSUITE, COUPEZ L'ALIMENTATION ÉLECTRIQUE.

Step 2. Remove the front glass door/frame and the access plate from the appliance. See *Figures 37 and 47.*

Step 3. Carefully remove the logs and the grate assembly / contemporary media. **Exercise care so as not to break the logs / contemporary media.**

Step 4. Refer to *Figure 55.* Remove the two 5/16" screws securing the burner to the burner brackets. Carefully slide the burner to the left to clear the venturi from the orifice. Set aside the screws and burner assembly in a secure location for later reinstallation.



Step 5. Remove the control compartment access door and gasket by removing the twelve (12) screws securing it, and set it aside for later reinstallation. The gas valve can be accessed through the opening, or the complete assembly can be removed by sliding the assembly to the right.

Step 6. Refer to the instructions provided with the SIT regulator conversion kit. Using a Torx T20 (with 1/4" shank and center hole) or slotted screwdriver, remove and discard the two pressure regulator mounting screws, the pressure regulator tower, and the diaphragm assembly (if applicable). **Properly dispose of all removed components.** Make sure the rubber gasket installed on the back of the replacement pressure regulator is properly positioned.

Step 7. Install the new stepper motor pressure regulator assembly using the supplied screws. Securely tighten the screws (25 in-lbs).

Step 8. Attach the enclosed identification label to the valve body where it can be easily seen.

Step 9. Make stepper motor and valve electrical connections.

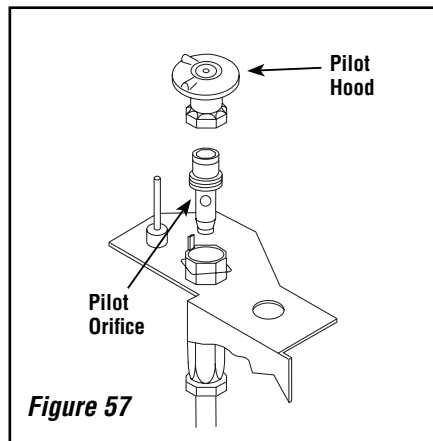
Step 10. Remove the pilot hood assembly to access the hexed pilot orifice. Using a 5/32" al-len wrench, remove and replace the pilot orifice with the one provided with the kit.

NOTE: Use extreme care to avoid damaging the igniter assembly.

Step 11. Refer to **Figure 57** and remove the pilot hood assembly to access the hexed pilot orifice. Remove and replace the orifice with the one provided with the kit.

Step 12. (Refer to **Figure 55 on Page 33 and Figure 58**)

VERIFY THE PROPER ORIFICE SIZE BEFORE INSTALLING IT.



A. Remove the orifice from the manifold and replace it with the one provided in the kit. See the following table for orifice sizes for natural and propane models. **Figure 58** illustrates the orifice. Use pipe joint compound or Teflon tape on all pipe fittings before installing (ensure propane resistant compounds are used in propane applications, do not use pipe joint compounds on flare fittings).

B. Retrieve the burner and slide the venturi tube over the orifice. Set the burner assembly into its position and secure it.

C. Reinstall the grate assembly.

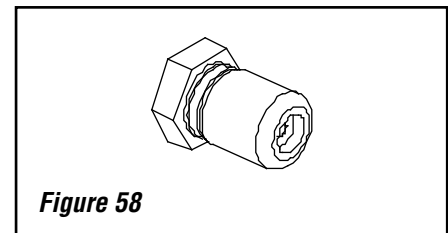
Step 13. Reassemble the remaining components by reversing the procedures outlined in the preceding steps.

Step 14. Attach the conversion label provided in the conversion kit to the rating plate on the appliance.

Step 15. Apply gas to the system and relight appliance. With the main burner "ON", test the new pressure regulator assembly and all gas line joints for leaks using a gas leak test solution. See **Test All Connections For Gas Leaks on Page 25.**

Burner Orifice Sizes Elevation 0-4500 ft (0-1372 m)			
Model	Nat. Gas drill size (inches)	Propane drill size (inches)	
Traditional	40"	0.1405" (#28)* • H2286	0.082" (#45)* • J8002
	45"	0.150" (#25)* • J8001	0.086" (#44)* • H2287
Contemporary	40" CD	0.1405" (#28)* • H2286	0.073" (#49)* • H8807
	45" CD	0.150" (#25)* • J8001	0.073" (#49)* • H8807

Table 11 * Standard size installed at factory
• Part /Cat. Number



Step 16. Relight the main burner and verify proper burner ignition and operation. See **Burner Adjustments Pages 26 and 27.**

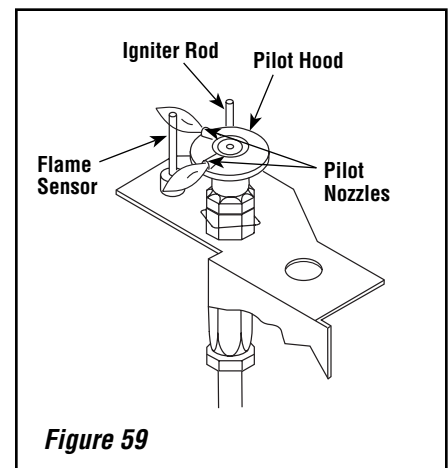
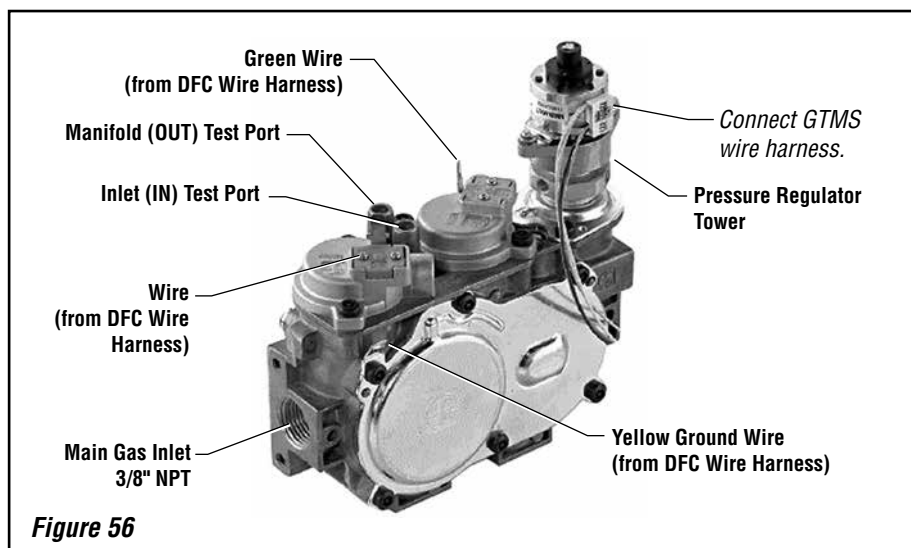
Inspect the pilot system for proper flame. The pilot flame should engulf the flame sensor as shown in **Figure 59.**

The lighting instructions can be found on the lighting label in the control compartment or in the Care and Operation Manual provided with the appliance.

Step 17. Using a manometer, test the inlet and manifold gas pressures. See **Tables 2 and 3 on Page 6.**

ALWAYS TEST PRESSURES WITH THE VALVE REGULATOR CONTROL AT THE HIGHEST SETTING.

SEE PAGE 28 FOR AIR SHUTTER ADJUSTMENT GUIDELINES.



IMPORTANT SAFETY INFORMATION

Important Safety Information

1. **WARNING: Do not operate appliance with the glass front removed, cracked or broken.**
2. **Do not use this appliance if any part has been under water. Immediately call a qualified service technician to inspect the appliance and to replace any part of the control system and any gas control which has been under water.**
3. **Due to high temperatures, the appliance should be located out of traffic and away from furniture and draperies.**
4. **Children and adults should be alerted to the hazards of high surface temperature and should stay away to avoid burns or clothing ignition.**
5. **Clothing or other flammable material should not be placed on or near the appliance.**
6. **Young children should be carefully supervised when they are in the same room as the appliance. Toddlers, young children, and others may be susceptible to accidental contact burns. A physical barrier is recommended if there are at-risk individuals in the house. To restrict access to a fireplace or stove, install an adjustable safety gate to keep toddlers, young children, and other at-risk individuals out of the room and away from hot surfaces.**
7. **Any safety screen, guard or barrier removed for servicing an appliance must be replaced prior to operating the appliance.**
8. **Installation and repair should be done by a qualified service person. The appliance should be inspected before use and at least annually by a professional service person. More frequent cleaning may be required due to excessive lint from carpeting, bedding material, et cetera. It is imperative that control compartments, burners, and circulating air passageways of the appliance be kept clean. See maintenance instructions on *Page 40*.**

L'information de sûreté importante

1. **AVERTISSEMENT. Ne pas utiliser l'appareil si le panneau frontal en verre n'est pas en place, est craqué ou brisé.**
2. **Ne pas se servir de cet appareil s'il a été plongé dans l'eau, même partiellement. Faire inspecter l'appareil par un technicien qualifié et remplacer toute partie du système de contrôle et toute commande qui ont été plongées dans l'eau.**
3. **En raison des températures élevées, l'appareil devrait être installé dans un endroit où il y a peu de circulation et loin du mobilier et des tentures.**
4. **Les enfants et les adultes devraient être informés des dangers que posent les températures de surface élevées et se tenir à distance afin d'éviter des brûlures ou que leurs vêtements ne s'enflamment.**
5. **On ne devrait pas placer de vêtements ni d'autres matières inflammables sur l'appareil ni à proximité.**
6. **Les jeunes enfants devraient être surveillés étroitement lorsqu'ils se trouvent dans la même pièce que l'appareil. Les tout petits, les jeunes enfants ou les adultes peuvent subir des brûlures s'ils viennent en contact avec la surface chaude. Il est recommandé d'installer une barrière physique si des personnes à risques habitent la maison. Pour empêcher l'accès à un foyer ou à un poêle, installez une barrière de sécurité ; cette mesure empêchera les tout petits, les jeunes enfants et toute autre personne à risque d'avoir accès à la pièce et aux surfaces chaudes.**
7. **Tout écran ou protecteur retiré pour permettre l'entretien de l'appareil doit être remis en place avant de mettre l'appareil en marche.**
8. **L'installation et la réparation devrait être confiées à un technicien qualifié. L'appareil devrait faire l'objet d'une inspection par un technicien professionnel avant d'être utilisé et au moins une fois l'an par la suite. Des nettoyages plus fréquents peuvent être nécessaires si les tapis, la literie, et cetera produisent une quantité importante de poussière. Il est essentiel que les compartiments abritant les commandes, les brûleurs et les conduits de circulation d'air de l'appareil soient tenus propres. Voyez les instructions d'entretien à la *page 40*.**

Información importante de seguridad

1. **ADVERTENCIA: No opere el artefacto con el frente de vidrio quitado, agrietado o roto.**
2. **No use este artefacto si alguna de sus partes ha estado bajo agua. Llame de inmediato a un técnico de servicio calificado para que inspeccione el artefacto y reemplace cualquier parte del sistema de control y cualquier control de gas que haya estado bajo agua.**
3. **Debido a las altas temperaturas, el artefacto debe situarse fuera de las áreas de tráfico y lejos del mobiliario y cortinas.**
4. **Se debe alertar a los niños y adultos sobre los peligros de las altas temperaturas en la superficie y que se mantengan alejados para evitar quemaduras o ignición de la ropa.**
5. **No debe colocarse ropa u otros materiales inflamables sobre y cerca del artefacto.**
6. **Se debe supervisar de cerca a los niños cuando estén en el mismo cuarto que el artefacto. Los niños pequeños, los jóvenes y otras personas pueden ser susceptibles a quemaduras por contacto accidental. Se recomienda instalar una barrera física si hay personas en riesgo en la casa. Para restringir el acceso a una chimenea o estufa, instale una puerta de seguridad ajustable para mantener a los niños pequeños, jóvenes y otras personas en riesgo fuera del cuarto y lejos de las superficies calientes.**
7. **Cualquier malla o resguardo de seguridad quitado para dar servicio a un artefacto, debe reinstalarse antes de operar el artefacto.**
8. **Una persona de servicio competente debe realizar la instalación y reparación. Una persona de servicio profesional debe inspeccionar el artefacto antes de usar al menos una vez por año. Se puede requerir limpieza más frecuente debido a la pelusa excesiva del alfombrado, del material de cobijas, etc. Es imprescindible mantener limpios los compartimientos de control, los quemadores y los pasajes de circulación del aire del artefacto. Ver las instrucciones de mantenimiento en la *página 40*.**

HOMEOWNER'S INSTRUCTIONS - ATTACHING SAFETY IN OPERATION WARNINGS

ATTACHING SAFETY IN OPERATION WARNINGS

Your fireplace has been furnished with safety instruction labels that are to be affixed to the operation and control points of the fireplace. A safety instruction label should be affixed to the receiver wall switch plate where the fireplace is turned on and off (See **Figure A**) and the remote control handheld transmitter (**Figure B**). The warnings should already have been put in place when the fireplace initial set-up was completed. If they are not affixed at these spots, locate the multi-lingual adhesive labels provided with these instructions and proceed as follows:

1. Locate the wall receiver that controls the fireplace (verify the switch operates the fireplace by turning it on and off). Clean the wall receiver plate thoroughly to remove any dust and oils. Affix the label to the surface of the plate of the wall receiver that controls the fireplace (**Figure A**). Choose the language primarily spoken in the home.
2. Locate the remote control transmitter and clean it thoroughly to remove any dust and oils. Affix the label to the surface of handheld transmitter (**Figure B**). Choose the language primarily spoken in the home.
3. If you are unable to locate the labels, please call Innovative Hearth Products or your nearest Innovative Hearth Products dealer to receive additional safety instruction labels free of charge.

Cat. No. H8024 Replacement Label Kit

INNOVATIVE HEARTH PRODUCTS
SuperiorFireplaces.com

Note: English is red text on clear label. French and Spanish are white text on black label.

SAFETY LABEL DIAGRAMS



APPOSITION DES MISES EN GARDE RELATIVES À LA SÉCURITÉ D'UTILISATION

Votre foyer a été livré avec des étiquettes de sécurité qui doivent être collées à côté des dispositifs de contrôle du foyer. Une étiquette de sécurité devrait être collée sur la plaque du récepteur mural contrôlant l'allumage du foyer (voir **Figure A**) et sur le boîtier de la télécommande (**Figure B**). Les mises en garde auraient dû être collées au moment de l'installation initiale du foyer. Si ce n'est pas le cas, prenez les étiquettes adhésives multilingues fournies avec ces instructions et procédez comme suit:

1. Repérez le récepteur mural qui contrôle le foyer (vérifiez que l'interrupteur contrôle le fonctionnement du foyer en le faisant basculer de Marche à Arrêt, et vice-versa). Nettoyez soigneusement la plaque du récepteur mural pour éliminer la poussière et les traces de graisse ou d'huile. Collez l'étiquette sur la surface de la plaque du récepteur mural qui contrôle le foyer (**Figure A**). Choisissez la langue qui est principalement parlée dans la résidence du propriétaire.
2. Repérez la télécommande et nettoyez-la soigneusement pour éliminer la poussière et les traces de graisse ou d'huile. Collez l'étiquette sur le boîtier de la télécommande (**Figure B**). Choisissez la langue qui est principalement parlée dans la résidence du propriétaire.
3. Si vous ne trouvez pas les étiquettes, veuillez appeler Innovative Hearth Products ou votre distributeur Innovative Hearth Products local pour recevoir gratuitement des étiquettes supplémentaires.

Étiquettes de remplacement, n° cat. H8024

INNOVATIVE HEARTH PRODUCTS
SuperiorFireplaces.com

Remarque : Le texte anglais est rouge sur un support transparent. Le texte français et espagnol est blanc sur un support noir.

DIAGRAMMES DES ÉTIQUETTES DE SÉCURITÉ



COLOCACIÓN DE ADVERTENCIAS DE SEGURIDAD EN OPERACIÓN

Su chimenea incluye etiquetas de instrucciones de seguridad que deben colocarse en los puntos de operación y control de la chimenea. Se debe colocar una etiqueta de instrucciones de seguridad en la placa del interruptor de pared del receptor desde el cual se enciende y se apaga la chimenea (ver la **Figura A**) y en el transmisor de control remoto (**Figura B**). Las advertencias ya deben haberse colocado cuando se completó la instalación inicial de la chimenea. Si no están colocadas en estos lugares, encuentre las etiquetas adhesivas multilingües proporcionadas con estas instrucciones y prosiga de la siguiente manera:

1. Identifique el receptor de pared que controla la chimenea (verifique que el interruptor opera la chimenea encendiéndola y apagándola). Limpie bien la placa del receptor de pared para quitar el polvo y aceite. Pegue la etiqueta en la superficie de la placa del receptor de pared que controla la chimenea (**Figura A**). Seleccione el idioma que más se habla en la casa.
2. Identifique el transmisor de control remoto y límpielo bien para quitar el polvo y aceite. Pegue la etiqueta en la superficie del transmisor (**Figura B**). Seleccione el idioma que más se habla en la casa.
3. Si no puede encontrar las etiquetas, sírvase llamar a Innovative Hearth Products o al distribuidor de Innovative Hearth Products más cercano para recibir etiquetas de instrucciones de seguridad adicionales gratuitas.

Juego de etiquetas de repuesto - N° de cat. H8024

INNOVATIVE HEARTH PRODUCTS
SuperiorFireplaces.com

Nota: La etiqueta en inglés es transparente con texto rojo. Las etiquetas en francés y español son negras con texto blanco.

DIAGRAMAS DE ETIQUETAS DE SEGURIDAD



Illustrations are for example only. Your accessories may be different.

Les illustrations sont par exemple uniquement. Vos accessoires peuvent être différents.

Las ilustraciones son sólo ejemplos. Tu accesorios pueden ser diferentes.

Figure A

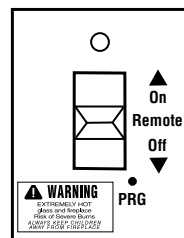


Figure B



APPLIANCE INSTALLATION, SERVICE, AND MAINTENANCE NOTICES

WARNING: Improper installation, adjustment, alteration, service or maintenance can cause injury or property damage. Refer to the owner's information manual provided with this appliance. For assistance or additional information consult a qualified installer, service agency or the gas supplier.

AVERTISSEMENT : Une installation, un réglage, une modification, une réparation ou un entretien mal effectué peut causer des dommages matériels ou des blessures. Voir la notice de l'utilisateur qui accompagne l'appareil. Pour de l'aide ou des renseignements supplémentaires, consultez un installateur, un technicien agréé ou le fournisseur de gaz.

Only trim kit(s) supplied by the manufacturer shall be used in the installation of this appliance.

Seules les trousse de garniture fournies par le fabricant doivent être utilisées pour l'installation de cet appareil.

These appliances must not be connected to a chimney or flue serving a separate solid fuel burning appliance.

Any change to this appliance and/or its operating controls is dangerous. Improper installation or use of this appliance can cause serious injury or death from fire, burns, explosion or carbon monoxide poisoning.

CARBON MONOXIDE POISONING: Early signs of carbon monoxide poisoning are similar to the flu with headaches, dizziness and/or nausea. If you have these signs, obtain fresh air immediately. Turn off the gas supply to the appliance and have it serviced by a qualified professional, as it may not be operating correctly. Some people are more affected by carbon monoxide than others, including pregnant women, people with heart or lung disease or anemia, those under the influence of alcohol, and those at high altitudes.

Turn off gas and electrical power to the fireplace and allow it to cool before cleaning or servicing the appliance.

If the barrier becomes damaged, the barrier shall be replaced with the manufacturer's barrier for this appliance.

Si l'écran est endommagé, il doit être remplacé par celui fourni par le fabricant de cet appareil.

For use with barrier(s) part no(s). J7422 (40" models) and J7423 (45" models).

Reinstall any barrier removed before operating the appliance. The barrier is designed to reduce the risk of burns from hot glass. Do not operate the appliance without the barrier installed.

The vent termination is hot while in operation and for a period of time following the use of the fireplace. Young children should be carefully supervised when they are in the same area as a hot termination.

APPLIANCE OPERATION NOTICES

Do not operate appliance with the glass front removed, cracked, or broken.

These fireplaces are vented gas appliances. Do not burn wood or other material in these appliances.

This appliance is only for use with the type of gas indicated on rating plate. This appliance is not convertible for use with other gases, unless a certified kit is used.

Cet appareil doit être utilisé uniquement avec les types de gaz indiqués sur la plaque signalétique. Ne pas l'utiliser avec d'autres gaz sauf si un kit de conversion certifié est installé.

These appliances are designed to operate on natural gas or propane gas only. The use of other fuels or combinations of fuels will degrade the performance of this system and may be dangerous.

Provide adequate clearances around air openings and adequate accessibility clearance for service and proper operation. Never obstruct the front openings of the appliance.

Do not use this appliance if any part has been under water. Immediately call a qualified service technician to inspect the appliance and to replace any part of the control system and any gas control that has been under water.

CAUTION: Hot while in operation. Do not touch. Severe Burns may result. Keep children, clothing furniture, gasoline and other liquids having flammable vapors away.

ATTENTION : L'appareil est chaud lorsqu'il fonctionne. Ne pas toucher l'appareil. Risque de brûlures graves. Surveiller les enfants. Garder les vêtements, les meubles, l'essence ou autres liquides produisant des vapeur inflammables loin de l'appareil.

WARRANTY INFORMATION

Your gas appliance is covered by a limited 20-year warranty. You will find a copy of the warranty accompanying this manual. Please read the warranty to be familiar with its coverage.

Retain this manual. File it with your other documents for future reference.

Failure to comply with the installation and operating instructions provided will result in an improperly installed and operating appliance, voiding its warranty.

Do not attempt to alter or modify the construction of the appliance or its components. Any modification or alteration may void the warranty, certification, and listings of this unit.

GENERAL INFORMATION

The fireplace models covered in this manual are direct-vent, sealed combustion gas fireplaces designed for residential application. Direct-vent appliances operate with the combustion chamber completely isolated from the indoor environment.

All air for combustion is brought in from the outside and exhaust gases are vented through the same direct-vent, co-axial (intake/exhaust) vent system.

The appliances are designed to operate on natural or propane gas only and contain an electronic intermittent pilot system. Electrical power (120 Vac line voltage) is recommended to operate the fireplace; however, four (4) "AA" batteries can be used for full-time operation or as a backup in case of a power outage.

These appliances comply with National Safety Standards and are tested and listed by PFS (Report No. F14-106) to ANSI Z21.50 (in Canada, CSA-2.22), and CAN/CGA-2.17-M91 in both the USA and Canada as vented gas fireplaces.

The Installation must conform to local codes or, in the absence of local codes, with the National Fuel Gas Code, ANSI Z223.1/NFPA 54—latest edition, or the Natural Gas and Propane Installation Code, CAN/CGA-B149.1—latest edition. The appliance, when installed, must be electrically grounded in accordance with local codes or, in the absence of local codes, with the National Electrical Code, ANSI/NFPA 70—latest edition, or the Canadian Electrical Code, CSA C22.1—latest edition.

BTU INPUT

The BTU Input for these appliances are shown in **Table 12**.

Model No.	Input (BTU/Hr)
Natural Gas	
40 in.	32,000–50,000
45 in.	40,000–57,000
Propane Gas	
40 in.	32,000–50,000
45 in.	43,000–56,000

Table 12 - Input (BTU/HR)

GAS PRESSURE

Table 2 and Table 13 show the appliances' gas pressure requirements.

Fuel #	Minimum	Maximum
Natural Gas	5.5" WC (1.37 kPa)	10.5" WC (2.61 kPa)
Propane	11.0" WC (2.74 kPa)	13.0" WC (3.23 kPa)

Table 13 - Inlet Gas Supply Pressure

Fuel #	Low	High
Natural Gas	1.6" WC (.4 kPa)	3.5" WC (.87 kPa)
Propane	6.3" WC (1.57 kPa)	10.0" WC (2.49 kPa)

Table 14 - Manifold Gas Supply Pressure

Test gauge connections are provided on the front of the gas control valve, identified IN for the inlet and OUT for the manifold side (see **Figure 60 on Page 39**). The control valves have a 3/8" (10 mm) NPT thread inlet and outlet side of the valve.

Propane tanks are at pressures that will cause damage to valve components. Verify that the tanks have step down regulators to reduce the pressure to safe levels.

The appliance and its appliance main gas valve must be disconnected from the gas supply piping system during any pressure testing of that system at test pressures **in excess of** 1/2 psi (3.5 kPa).

The appliance must be isolated from the gas supply piping system by closing its equipment shutoff valve during any pressure testing of the gas supply piping system at test pressures **equal to or less than** 1/2 psi (3.5 kPa).

Orifice Sizes— Sea Level to High Altitude (All Models)

These appliances are tested and approved for installation at elevations of 0–4500 feet (0–1372 meters) above sea level using the standard burner orifice sizes (marked with an "*" in **Table 14**).

For elevations above 4500 feet, contact your gas supplier or qualified service technician.

Deration—At higher elevations, the amount of BTU fuel value delivered must be reduced by either using gas that has been derated by the gas company or by changing the burner orifice to a smaller size as regulated by the local authorities having jurisdiction and by the (USA) National Fuel Gas Code NFPA 54/ANSI Z223.1—latest edition or, in Canada, the CAN/CGA-B149.1 codes—latest edition.

Install the appliance according to the regulations of the local authorities having jurisdiction and, in the USA, the National Fuel Gas Code NFPA 54 / ANSI Z223.1—latest edition or, in Canada, the CAN/CGA-B149.1—latest edition.

Flame breadth, height and width will diminish 4% for every 1,000 feet of altitude.

Burner Orifice Sizes Elevation 0–4500 ft (0–1372 m)		
Model	Nat. Gas drill size (inches)	Propane drill size (inches)
Traditional	40" 0.1405" (#28)* • H2286	0.082" (#45)* • J8002
	45" 0.150" (#25)* • J8001	0.086" (#44)* • H2287
Contemporary	40" CD 0.1405" (#28)* • H2286	0.073" (#49)* • H8807
	45" CD 0.150" (#25)* • J8001	0.073" (#49)* • H8807

Table 15 * Standard size installed at factory
• Part /Cat. Number

In Canada—CAN/CGA-2.17-M91 (R2009) (high altitude):

THE CONVERSION SHALL BE CARRIED OUT BY A MANUFACTURER'S AUTHORIZED REPRESENTATIVE, IN ACCORDANCE WITH THE REQUIREMENTS OF THE MANUFACTURER, PROVINCIAL OR TERRITORIAL AUTHORITIES HAVING JURISDICTION AND IN ACCORDANCE WITH THE REQUIREMENTS OF THE CAN/CGA-B149.1 OR CAN/CGA-B149.2 INSTALLATION CODES.

Burn-in Period

During the first few fires of this appliance there will be some odor due to the curing of the paint and burning off of lubricants used in the manufacturing process. Depending on your use, the burn-in period may take a few hours or a few days.

KEEP YOUR HOUSE WELL VENTILATED DURING THE CURING PROCESS. THE ODOR AND HAZE EMITTED DURING THE CURING PROCESS CAN BE QUITE NOTICEABLE AND MAY SET OFF A SMOKE DETECTOR.

NOTICE: A white film may develop on the glass enclosure panel during the first few fires as part of the burn-in process.

The first few times you use the fireplace, clean the glass after each use (AFTER THE GLASS HAS COMPLETELY COOLED); otherwise, the white film will bake onto the glass and become difficult to remove.

See glass cleaning instructions on **Page 41**.

OPERATION AND CARE OF YOUR APPLIANCE

⚠ WARNING

Young children should be carefully supervised when they are in the same room as the appliance. Toddlers, young children and others may be susceptible to accidental contact burns. A physical barrier is recommended if there are at risk individuals in the house. To restrict access to a fireplace or stove, install an adjustable safety gate to keep toddlers, young children and other at risk individuals out of the room and away from hot surfaces.

⚠ AVERTISSEMENT

Les jeunes enfants devraient être surveillés étroitement lorsqu'ils se trouvent dans la même pièce que l'appareil. Les tout petits, les jeunes enfants ou les adultes peuvent subir des brûlures s'ils viennent en contact avec la surface chaude. Il est recommandé d'installer une barrière physique si des personnes à risques habitent la maison. Pour empêcher l'accès à un foyer ou à un poêle, installez une barrière de sécurité; cette mesure empêchera les tout petits, les jeunes enfants et toute autre personne à risque d'avoir accès à la pièce et aux surfaces chaudes.

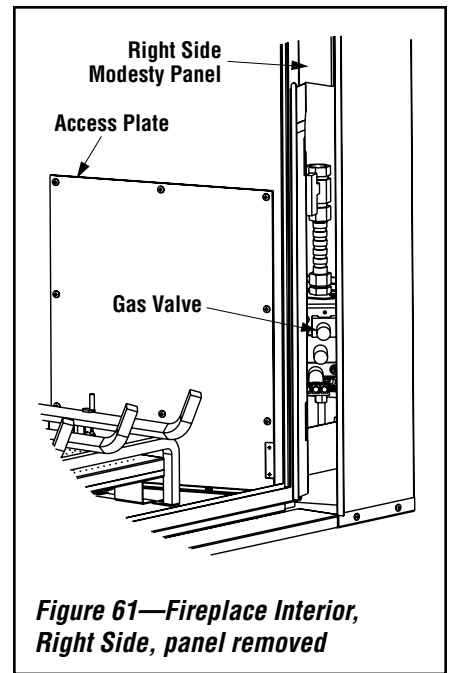


Figure 61—Fireplace Interior, Right Side, panel removed

Gas Controls / Control Compartment Access

The gas controls can be found on the right hand side of the appliance as shown in **Figure 61**.

The standard controls for appliance operation are remote wall switch and remote control.

Operation and Care of Your Appliance

Familiarize yourself with the gas control valve that your appliance uses. Refer to **Figure 2** for access to the gas control valve.

Appliances are fitted with the electronic valve shown in **Figure 60**.

To light the appliance refer to the detailed lighting instructions (see **Page 49**). The appliance lighting instructions can also be found on the pull-out lighting instruction labels attached to the gas control valve.

Your appliance is equipped with a wall receiver switch and a remote control.

Variable Flame Height Adjustment

All appliances are equipped with a variable gas control valve. Flame height for these models may be adjusted through a range between fixed low and high settings, alternately, while the appliance is in operation. Use the remote control to adjust the flame height as desired.

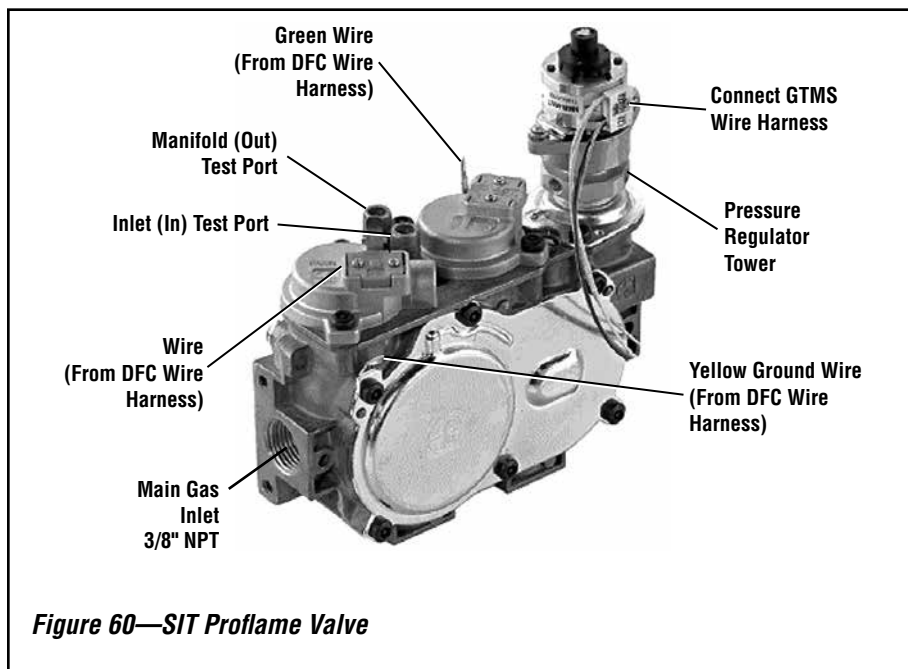


Figure 60—SIT Proflame Valve

MAINTENANCE

(See Maintenance Schedule, Page 51)

Refer to the maintenance schedule for maintenance tasks, procedures, frequency and by whom they should be performed. Always verify proper operation of the appliance after servicing.



WARNING

Turn off gas and electrical power to the fireplace and allow it to cool before cleaning or servicing the appliance.

CAUTION: Wear gloves and safety glasses for protection while doing required maintenance.

Verify proper operation after servicing.

S'assurer que l'appareil fonctionne adéquatement une fois l'entretien terminé.

Always turn off the gas before cleaning. Before re-lighting, refer to the lighting instructions in this manual. Instructions are also found on a pull-out panel located in the control compartment.

Always keep the appliance area clear and free from combustible materials, gasoline and other flammable liquids.

Inspect Venting System

The appliance and venting system should be thoroughly inspected before initial use and at least annually by a qualified service technician (inspection should include ensuring that exhaust or intake passages are unobstructed and vent components are properly assembled and not damaged). **Homeowner must contact a qualified service technician at once if any abnormal condition is observed.**

If the venting system is disassembled for any reason, a qualified service technician should follow vent installation instructions for proper reassembly and proper sealing of the venting system components. However, more frequent periodic inspections and cleanings should be performed by the homeowner.

Glass Cleaning

(see *Front Glass Enclosure Panel, Removal and Installation* on **Page 41**).

NOTE: Clean glass after first two weeks of operation (after Burn-In period is over) and then only when necessary and when the fireplace is cool. Wipe surface with a clean, dampened, soft cloth. Follow with a dry, soft towel as desired. Take care not to scratch the glass surface.

WARNING: Do not use abrasive cleaners on glass. Never clean the glass when it is hot.

The viewing glass should be cleaned periodically to remove any build-up caused from the following:

- During start-up, it is normal for condensation to form on the inside of the glass (this condensation and fog will usually disappear in a few minutes). The moisture can cause lint, dust and other airborne particles to cling to the glass surface.
- Initial curing of the high temperature paint and burning off of lubricants used in the manufacturing process may result in a film on the glass.
- A white coating may form on the glass as a result of impurities and minerals in the fuel.

It is recommended that the glass be cleaned two or three times during each heating season, depending on the circumstances present. The following cleaning solutions are approved for use to clean glass:

- Non-ammonia based household cleaner
- Gas fireplace/stove glass cleaner

Inspect Glass Gasket—Visually inspect the gasket on the backside of the glass enclosure panels. The gasket surface must be clean, free of irregularities and seated firmly.

Clean Control Compartment

Keep control compartment clean by vacuuming or brushing at least twice a year. More frequent cleaning may be required due to excessive lint from carpeting, bedding materials, etc. It is important that control compartments, burners and circulating air passageways of the appliance be kept clean.

Clean Logs and Burner

Carefully remove the logs (use care when handling the fiber logs, as they become quite fragile after curing). Vacuum out any foreign matter (lint, carbon, etc.) on the burner. Ensure the burner ports are “open.” Remove any carbon deposits from the under side of the logs using a vacuum cleaner, or a soft bristled brush (i.e. paint brush).

NOTE: Improper positioning of logs can create carbon build-up and will alter the performance of the appliance.

Replacing Logs

If the logs become damaged by accident or improper handling and need replacement, use only the proper replacement logs from manufacturer (see **Page 46** for ordering information).

Reinstall Embers, Volcanic Stone and Logs

Carefully follow placement instructions on **Pages 42 and 43**. All logs should fit onto corresponding pins and/or log stoppers. This will ensure a proper flame and safe combustion.

NOTE: If installing the Contemporary Burner/Floor Kit, skip this step and instead refer to the instructions provided with the kit.

Inspect Wiring

Refer to wiring diagrams on **Page 46**.

CAUTION: Label all wires prior to disconnection when servicing controls. Wiring errors can cause improper and dangerous operation. Verify proper operation after servicing.

ATTENTION: Au moment de l'entretien des commandes, étiquetez tous les fils avant de les débrancher. Des erreurs de câblage peuvent entraîner un fonctionnement inadéquat et dangereux.

Inspect and clean all wire connections. Ensure that there is no melting or damage. Inspection should include:

- Terminals at the Valve
- Wall OFF/ON Switch

Low Battery Power Detection

The life span of the remote control system batteries depends on these factors:

- the quality of the batteries used
- the number of appliance ignitions

When the batteries are low, the receiver will emit two (2) “beeps” (low battery alert) every time it receives a command from the transmitter.

After the batteries are replaced it will emit one (1) “beep” when a command is sent by pressing any key on the transmitter. See **“Initialization of The System”** located in the Installation Instructions.

Inspect Burner Flame and Pilot Flame Appearance

Periodically do a visual check of the burner flame and the pilot flame. Ensure that the burner flame appearance resembles the flame shown in **Figures 71 and 72** and as described in *Flame Appearance and Sooting* on **Page 44**. Refer to **Figure 73** on **Page 45** for more information about the pilot flame appearance. Contact a qualified service technician at once if any abnormal condition is observed.

Small Area Paint Touch-up

Only use a factory supplied paint kit for touch-ups. Paint is available at your local Innovative Hearth Products dealer. Never attempt to paint a hot fireplace.

Do not attempt to repaint the appliance until the finish is completely cured (see *Burn-In Period* on **Page 38**). If the surface later becomes stained or marred, it can be lightly sanded and touched up with spray paint (see **Page 40**).

FRONT GLASS ENCLOSURE PANEL, REMOVAL AND INSTALLATION

! WARNING

- When reinstalling the glass door, the door latch screws must be securely tightened to prevent the glass door from falling out, which could potentially cause damage and possible injury.
- Do not attempt to substitute the materials used on this door, or replace cracked or broken glass.
- Handle this glass with extreme care! Glass is susceptible to damage – Do not scratch or handle roughly while reinstalling the glass door frame.
- The glass door of this appliance must only be replaced as a complete unit as provided by the manufacturer. Do not attempt to replace broken, cracked or chipped glass separately.
- Do not attempt to touch the front enclosure glass with your hands while the fireplace is in use.

! WARNING

Do not operate appliance with the glass front removed, cracked or broken.

! AVERTISSEMENT

Ne pas utiliser l'appareil si le panneau frontal en verre n'est pas en place, est craqué ou brisé.

! WARNING

Any safety screen or guard removed for servicing the appliance must be replaced prior to operating the appliance.

! AVERTISSEMENT

Tout écran ou protecteur retiré pour permettre l'entretien de l'appareil doit être remis en place avant de mettre l'appareil en marche.

Only doors certified with the appliance shall be used.

Seules des portes certifiées pour cet appareil doivent être utilisées.

WARNING: DO NOT abuse glass door by striking or slamming shut.

These are direct-vent appliances. They are designed to operate only when the front glass enclosure panel is installed. Generally the front glass enclosure panel should not be removed except to gain access to the components within the firebox.

Barrier (see Notice, Page 28)

This fireplace comes with a barrier to reduce the likelihood of burns from touching hot glass. If the barrier is damaged, the fireplace should be turned off immediately and the fireplace must not be operated until a new, approved factory barrier for this unit is installed.

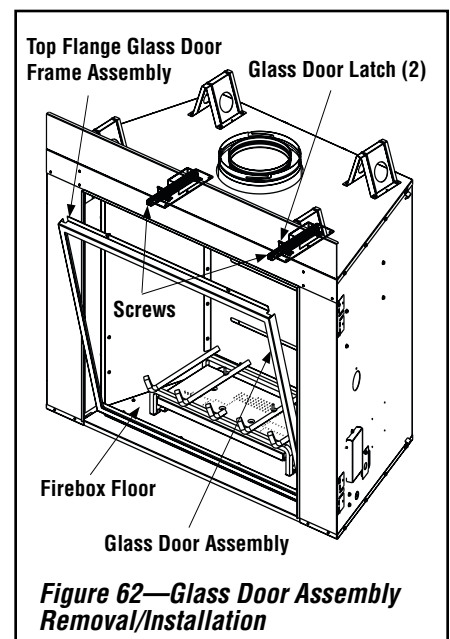
To remove barrier follow these steps.

1. Lift barrier up by the frame at the top.
2. Remove lower filler piece by pulling down off of the barrier.
3. Lower barrier and push barrier to left to release right side.
4. Pull the right side out of fireplace.
5. Remove barrier.
6. Install the new, approved factory barrier with flat side of barrier toward firebox.

To install the front glass door assembly, proceed as follows:

1. Retrieve the glass door assembly. Visually inspect the gasket on the backside of the panel. The gasket surface must be clean, free of irregularities and seated firmly.
2. Position the door frame in front of the firebox opening and engage the bottom flange over the rail at the bottom of the firebox opening.

3. Swing the door up and back. Ensure the gasket seats evenly as the door draws shut. Engage the nut insert and fasten with two screws to secure the door.
4. Install the door modesty shield on top flange glass door as follows: grab the door modesty shield with both hands, with the open hem going down and engage it with the upper lip of the glass door frame by pushing it all the way down. Make sure the installed shield is firmly in place.
5. With the firescreen hanging on the screen rod, drop in the right side of the rod to the right modesty panel. Then drop in the left side of the rod through the slot of the left modesty panel. Make sure that the rod is supported by the bracket in the center of the fireplace.



**Figure 62—Glass Door Assembly
Removal/Installation**

INSTALL VOLCANIC STONE, GLOWING EMBERS, AND LOGS (TRADITIONAL ONLY), OR GLASS MEDIA (CONTEMPORARY ONLY)

NOTE: If installing the Contemporary Burner/Floor Kit, skip this step and instead refer to the instructions provided with the kit.

⚠ WARNING

- **DO NOT attempt to install the logs until the appliance installation has been completed, the gas line connected and tested for leaks and the initial burner operation has been checked out.**
- **The size and position of the log set was engineered to give the appliance a safe, reliable and attractive flame pattern. Any attempt to use a different log set in the fireplace will void the warranty and will result in incomplete combustion, sooting, and poor flame quality.**
- **Logs get very hot and will remain hot up to one hour after gas supply is turned off. Handle only when logs are cool. Turn off all electricity to the appliance before you install grate, volcanic stone, embers, and logs.**
- **This appliance is not designed to burn wood. Any attempt to do so could cause irreparable damage to the appliance and prove hazardous to your safety.**
- **If logs are not installed according to the log installation instructions, flame impingement and improper combustion could occur and result in soot and/or excessive production of carbon monoxide (CO), a colorless, odorless, toxic gas.**

1. Install the ceramic or porcelain panels, per the instructions provided in kit (refer to document 506020-46).
2. Place volcanic stone around the burner, as shown in **Figure 63**.
3. Separate the glowing embers from the larger bag into pieces about the size of a quarter, as shown in **Figure 64**. Mix the glowing embers with the bag of platinum embers also provided with the fireplace. Keep the pieces fluffed, not matted. Distribute these pieces over the burner as shown in **Figure 65**. Do not use more glowing embers than necessary. When properly positioned, the glowing embers will cover approximately 75% of the burner for natural gas applications. For propane gas, do not place any glowing embers on the main ports.

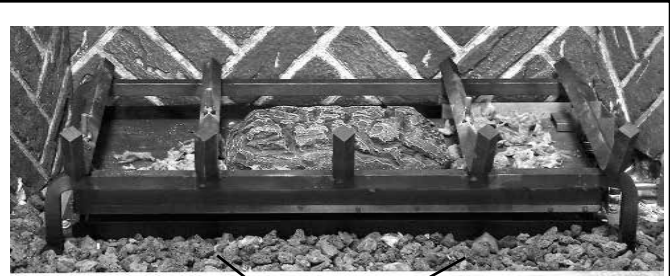
NOTE: Excessive use of glowing embers may result in sooting or poor flame. This appliance is provided with enough glowing embers for several applications. Do not use all provided, in one application. For best glowing effect, replace the ember material annually. Replacement glowing embers (P/N 88L53) and platinum embers (P/N H8312) are available.

4. Position the individual logs as shown in **Figure 7** through **Figure 11** on **Page 11**. Logs should be placed in the order shown. Place logs 2 and 3 against the pins on the grate, NOT over them.

Proper log and twig placement is critical to encourage outstanding flame appearance and prevent sooting. When positioned properly as shown, twigs will be positioned between flame peaks and will not impinge any flames. Positioning is the same for all colors of log sets.

Cat. No.	Model	Description
88L53	FGE	Bag of Glowing Embers
80L42	FDVS	Bag of Volcanic Stone
H8312	PGE	Bag of Platinum Embers

Table 16: Firebox Accessories / Parts



Volcanic Stone

Figure 63—Volcanic Stone Placement

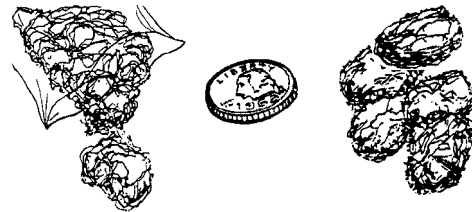
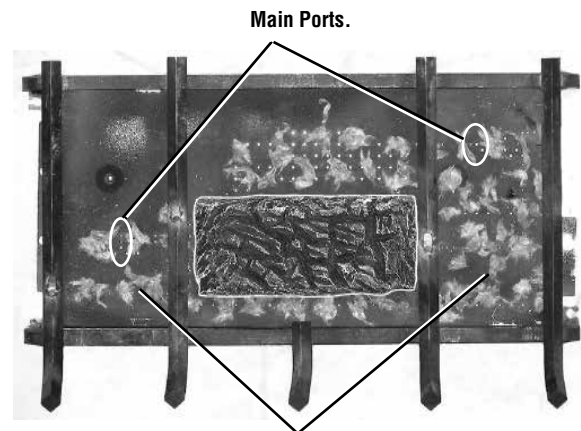


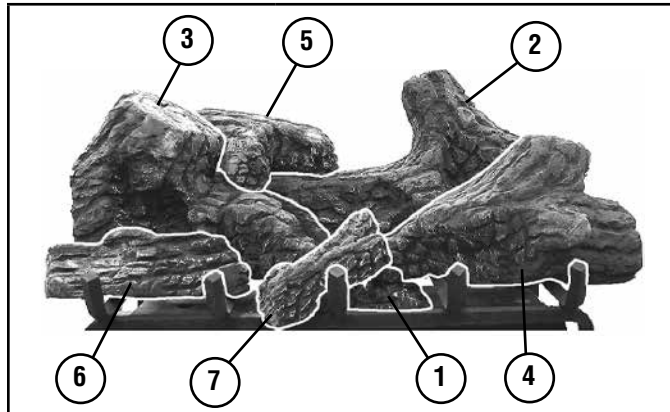
Figure 64—Glowing Ember Separation



Glowing Embers

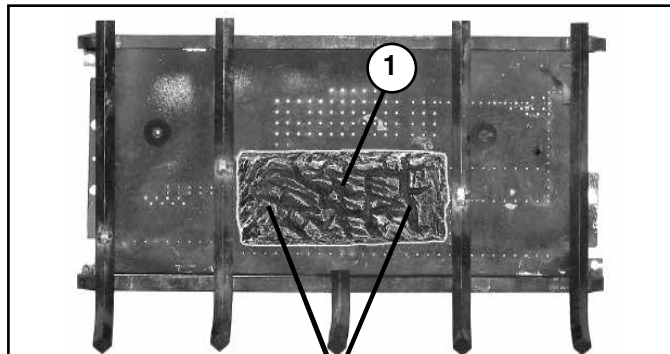
Figure 65—Glowing Ember Placement

Traditional Only: Log Placement



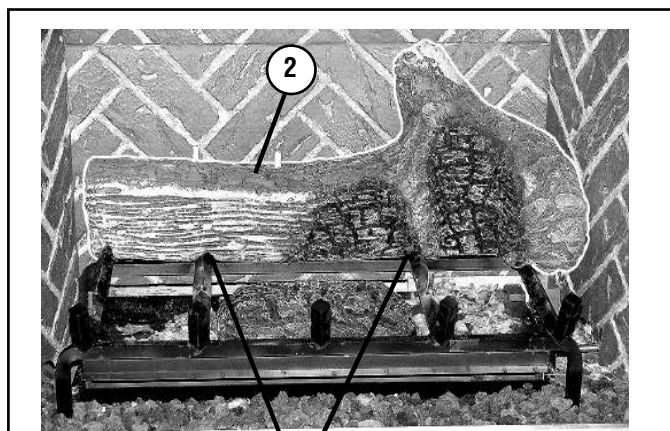
Log Number	Description
1	Log, Center
2	Log, Rear
3	Log, Center/Left
4	Log, Center/Right
5	Log, Rear/Top
6	Log, Front/Left
7	Log, Front/Center

Table 17 - Log Set



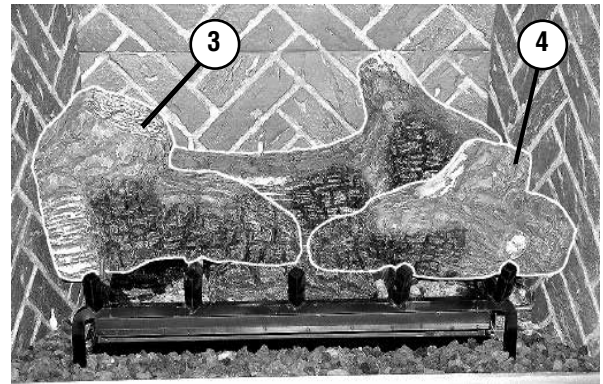
Align Two Holes At Bottom Of Log (1) Over The Pins On The Gas Burner.

Figure 66 - Placing Log 1



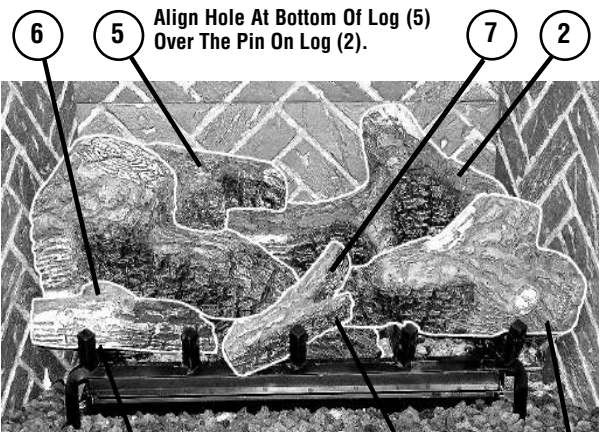
Align Groove At The Bottom Of Log (2) Over The Grate And Push It Towards The Rear.

Figure 67 - Placing Log 2



Engage Logs (3 & 4) With The Grate Pins And Align Grooves At The Bottom Of The Logs Over The Grate.

Figure 68 - Placing Logs 3 and 4



Engage Log (6) With The Grate Pin And Align Groove At The Bottom Of The Log Over The Grate.

Engage Log (7) With The Pin On Log (4).

Figure 69 - Placing Logs 5, 6, and 7

Contemporary Only: Glass Media Placement

1. Spread a thin layer of the media evenly on the burner and media screen.

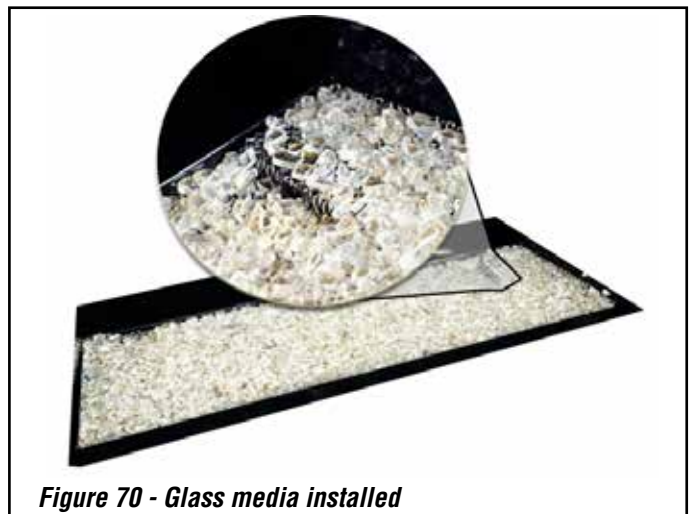


Figure 70 - Glass media installed

2. On the corner of the right media screen, arrange the media to allow the pilot flame to reach the burner during lighting.

BURNER ADJUSTMENTS (QUALIFIED TECHNICIANS ONLY)

Flame Appearance and Sooting

Proper flame appearance is a flame which is blue at the base and becomes yellowish-orange in the body of the flame.

When the appliance is first lit, the entire flame may be blue and will gradually turn yellowish-orange during the first 15 minutes of operation. If the flame remains blue, or if the flame is orange with evidence of sooting (black tip), the air shutter opening may need to be adjusted.

If the air shutter opening is closed too far, sooting may develop. Sooting is indicated by black puffs developing at the tips of very long orange flames. Sooting results in black deposits forming on the logs, appliance inside surfaces and on exterior surfaces adjacent to the vent termination.

Sooting is caused by incomplete combustion in the flames and lack of combustion air entering the air shutter opening. To achieve a warm yellowish-orange flame with an orange body that does not soot, the shutter opening must be adjusted between these two extremes.

Contemporary Media Shown



Figure 71—Burner Flame Appearance

Rustic Oak Logs Shown

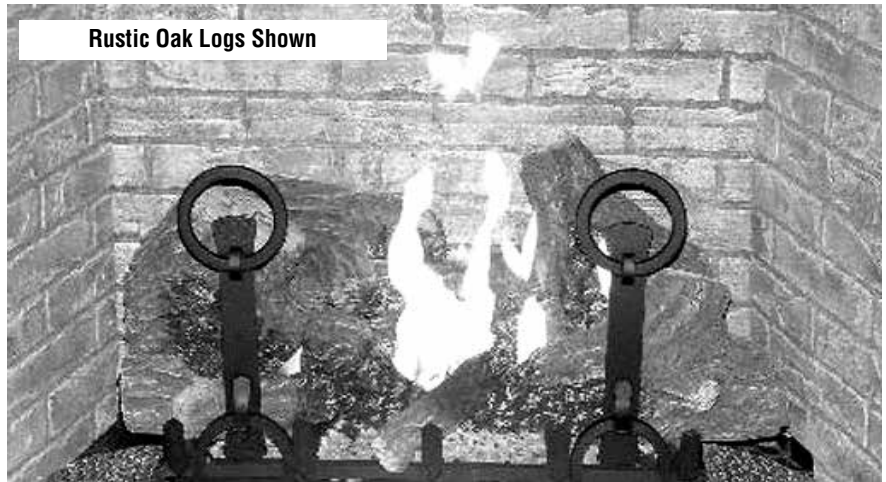


Figure 72—Burner Flame Appearance

**BURNER FLAME ADJUSTMENTS
(QUALIFIED TECHNICIANS ONLY)**

⚠ WARNING

- Air shutter adjustment should only be performed by a qualified professional service technician.
- Ensure that the front glass door assembly is in place and sealed After adjustment.

⚠ CAUTION

Soot will be produced if the air shutter is closed too much. Any damage due to carboning resulting from improperly setting the air shutter is not covered under the warranty.

To adjust the flame, rotate the air shutter toward the back or toward the front of the fireplace. Position the air shutter to the factory setting as shown in **Figure 73**. Allow the burner to operate for at least 15 minutes. Observe the flame. If it appears weak or sooty as previously described, adjust the air shutter until the flame appearance is as desired.

Use the remote to adjust the flame height as desired.

Propane models may exhibit a flame pattern that may "candle" or appear stringy. If this is problematic or persists as the appliance is continually operated, close the air shutter, as described here. Operate the appliance for a period of time as the effect diminishes, ensuring that the appliance does not develop sooty flames. When satisfied that the appliance operates properly, proceed to finish the installation.

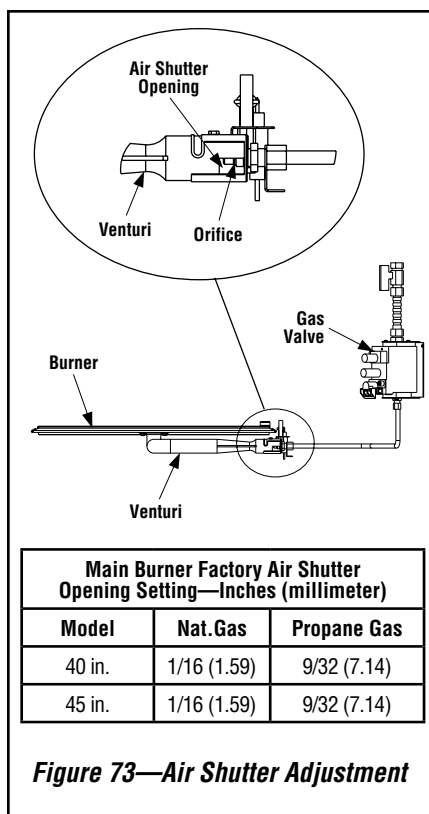


Figure 73—Air Shutter Adjustment

Electronic Appliance Checkout

To light the burner, turn on the remote control. Ensure the igniter lights the pilot. The pilot flame should engulf the flame rod as shown in **Figure 74**.

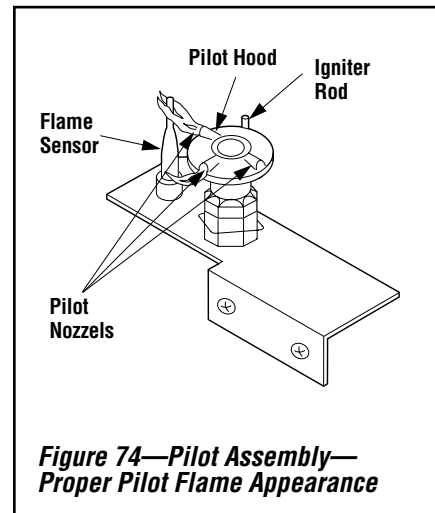


Figure 74—Pilot Assembly—Proper Pilot Flame Appearance

ORDERING REPLACEMENT PARTS

A complete parts list is found at the end of this manual. Use only parts supplied from the manufacturer.

With proper care and maintenance, your appliance will provide many years of enjoyment. If you should experience any problem, first refer to the troubleshooting guide in this manual. If problem persists, contact your Innovative Hearth Products dealer or distributor.

Normally, all parts should be ordered through your Innovative Hearth Products distributor or dealer.

Parts will be shipped at prevailing prices at time of order.

When ordering repair parts always provide:

1. The model number of the appliance.
2. The serial number of the appliance.
3. The part number.
4. The description of the part.
5. The quantity required.
6. The installation date of the appliance.

If you encounter any problems or have any questions concerning the installation or application of this system, please contact your dealer or distributor.

PRODUCT REFERENCE INFORMATION

We recommend that you record the important reference information about your fireplace in the space provided below.

Please call Innovative Hearth Products for the phone number of your nearest Innovative Hearth Products dealer who will answer your questions or address your concerns.

INNOVATIVE HEARTH PRODUCTS
1508 Elm Hill Pike, Suite 108
Nashville, TN 37210

Visit us at
SuperiorFireplaces.US.com

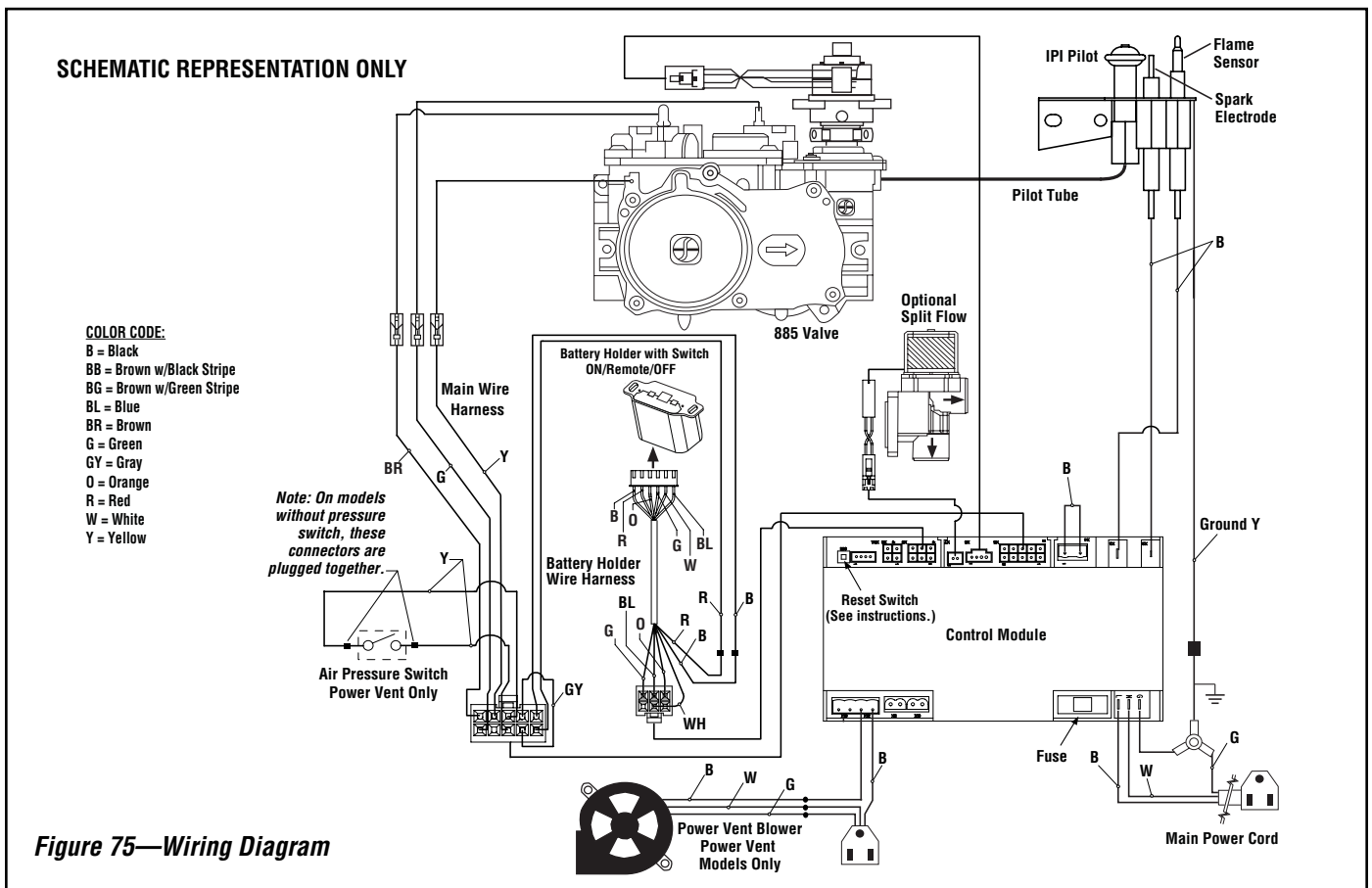
Fireplace Model Number _____
Fireplace Serial Number _____
Date Installed _____
Type of Gas Used in Fireplace _____
Dealer Name _____

WIRING

Wiring diagrams are provided here for reference purposes only. This information is also provided on schematics attached directly to the appliance on a pullout panel located within the control compartment.

CAUTION: LABEL ALL WIRES PRIOR TO DISCONNECTION WHEN SERVICING CONTROLS. WIRING ERRORS CAN CAUSE IMPROPER AND DANGEROUS APPLIANCE OPERATION.

ATTENTION : AU MOMENT DE L'ENTRETIEN DES COMMANDES, ÉTIQUETEZ TOUS LES FILS AVANT DE LES DÉBRANCHER. DES ERREURS DE CÂBLAGE PEU-VENT ENTRAÎNER UN FONCTIONNEMENT INADÉQUAT ET DANGEREUX.



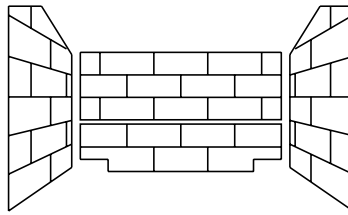
ACCESSORY COMPONENTS



Bag of Glowing Embers
Bag of Volcanic Stone
Bag of Platinum Embers

Replacement ember material, volcanic stone and vermiculite are available for use with these appliances. Order them to replace materials as part of the periodic maintenance of the appliance.

Firebox Accessories/Parts		
Cat. No.	Model	Description
88L53	FGE	Bag of Glowing Embers
80L42	FDVS	Bag of Volcanic Stone
H8312	PGE	Bag of Platinum Embers



Firebox Liner Kits

Choose from ceramic brick or porcelain panels.

Ceramic and Porcelain Firebox Liner Kits		
Fireplace	Cat. No. / Model	Description
40 in.	H8697 LKC-BFRS-MDLX40	Ceramic, Buff Rustic
	H8698 LKC-RDRS-MDLX40	Ceramic, Red Rustic
	H2220 BLKH-LSM40	Ceramic, Buff Herringbone
	H4803 BLK-REDH-LSM40	Ceramic, Red Herringbone
	H8581 LKP-BK-MDLX40	Porcelain, Black
45 in.	H8699 LKC-BFRS-MDLX45	Ceramic, Buff Rustic
	H8700 LKC-RDRS-MDLX45	Ceramic, Red Rustic
	H2224 BLKH-LSM45	Ceramic, Buff Herringbone
	H4804 BLK-REDH-LSM45	Ceramic, Red Herringbone
	H8696 LKP-BK-MDLX45	Porcelain, Black



Touch-Up Paint Kit

Repair of minor scratches and discoloration of the appliances black painted surfaces may be accomplished with the touch-up paint kit.

Touch-Up Paint Kit		
Cat. No.	Model	Description
F1881	SCITPSAB	Black touch-up paint, firebox interior
F1882	SCTPSAB	Black touch-up paint, powder coat exterior



Log Sets

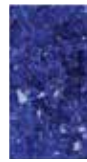
This finely crafted log set has detailing that replicates the natural look of real wood.

Oak Log Set		
Cat. No.	Model	Description
H8676	LOG-OAK-MDLX4045	Oak Log Set

Glass Media Kits



Reflective Black



Reflective Blue



Platinum

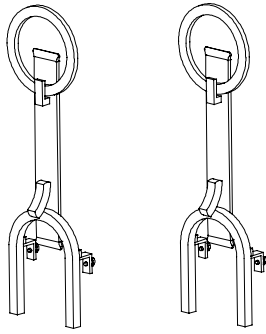


Goldfinger

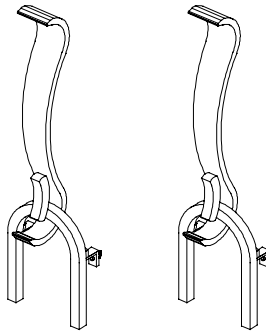


Copper

Cat. No.	Model	Description
H8412	CRSHGL-RBLK	Reflective Black
H8424	CRSHGL-RBLU	Reflective Blue
H8413	CRSHGL-P	Platinum
H8538	CRSHGL-GF	Goldfinger
H8539	CRSHGL-C	Copper



Mission

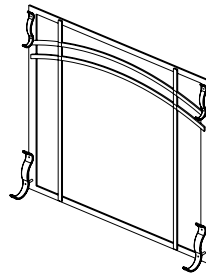


Classic

Andiron Grate Kits

The andiron kits attach to the grate assembly.

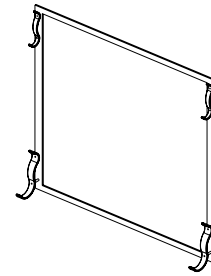
Andiron Grate Kits		
Fits Fireplace Models	Cat. No. (Model)	
	Mission	Classic
40" & 45" Models	H2227 (AKM-LSM)	H2228 (AKC-LSM)



Dual Arch Screen Kits

These Dual Arch screen kits can be placed in front of the glass enclosure panel to help prevent direct human contact with the hot glass surface.

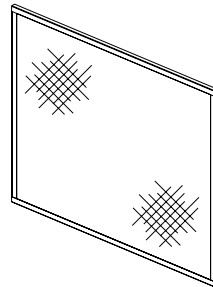
Dual Arch Screen Kits		
Cat. No.	Model	Description
H5051	DASK-LSM40-2	Dual Arch Screen
H5054	DASK-LSM45-2	Dual Arch Screen



Classic Screen Kits

These Classic Screen kits can be placed in front of the glass enclosure panel to help prevent direct human contact with the hot glass surface.

Classic Screen Kits		
Cat. No.	Model	Description
H5052	SK-LSM40-2	Classic Screen Kit
H5055	SK-LSM45-2	Classic Screen Kit



Barrier Kits

A Barrier is installed by the manufacturer and required to be installed during operation of the fireplace. If the Barrier becomes damaged, discontinue operation of the fireplace until the Barrier is replaced with the approved Barrier listed below.

Barrier Kits	
Cat. No.	Description
J7422	40" Barrier
J7423	45" Barrier



FOR YOUR SAFETY READ BEFORE OPERATING

WARNING: If you do not follow these instructions exactly, a fire or explosion may result causing property damage, personal injury or loss of life.

- A. This appliance is equipped with an ignition device which automatically lights the pilot. Do **not** try to light the pilot by hand.
- B. **BEFORE OPERATING** smell all around the appliance area for gas. Be sure to smell next to the floor because some gas is heavier than air and will settle on the floor.

WHAT TO DO IF YOU SMELL GAS:

- Do not try to light any appliance.
 - Do not touch any electric switch; do not use any phone in your building.
 - Immediately call your gas supplier from a neighbor's phone. Follow the gas supplier's instructions.
 - If you cannot reach your gas supplier, call the fire department.
- C. If any portion of this appliance does not operate as the instructions indicate, do not try to repair it, call a qualified service technician. Do not use tools. Force or attempted repair may result in a fire or explosion.
- D. Do not use this appliance if any part has been under water. Immediately call a qualified service technician to inspect the appliance and to replace any part of the control system and any gas control which has been under water.

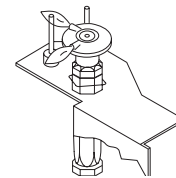
OPERATING INSTRUCTIONS

1. **STOP!** Read the safety information above on this label.
2. Read the Care and Operation manual including the section on "Remote Control System."
3. Slide the switch on the receiver to "OFF."
4. Press ON/OFF button on remote control transmitter to "OFF."
5. Turn "OFF" all electric power to the appliance.
6. This appliance is equipped with an ignition device which automatically lights the pilot. Do not try to light the pilot by hand.
7. Wait five (5) minutes to clear out any gas. Then smell for gas, including near the floor. If you smell gas, **STOP!** Follow "B" in the safety information above on this label. If you don't smell gas, go to the next step.
8. Turn on all electric power to the appliance.
9. Slide the switch on the receiver to REMOTE.
10. Press ON/OFF button on remote control transmitter to "ON."
11. (if applicable) Set thermostat on remote control to desired setting.
12. If the appliance will not operate, follow the instructions "To Turn Off Gas To Appliance" and call your service technician or gas supplier.

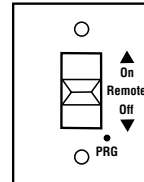
Electronic Gas Control Valve - SIT Proflame



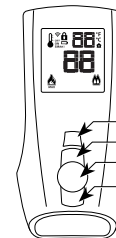
Electronic Pilot Assembly



Receiver



Remote Control Transmitter



TO TURN OFF GAS TO APPLIANCE

1. Slide the switch on the receiver to "OFF."
2. Press ON/OFF button on remote control transmitter to "OFF."
3. Turn off all electric power to the appliance if service is to be performed.
4. Close the main line gas shut-off valve.



DANGER



**HOT GLASS WILL
CAUSE BURNS.
DO NOT TOUCH GLASS
UNTIL COOLED.
NEVER ALLOW CHILDREN
TO TOUCH GLASS.**

A barrier designed to reduce the risk of burns from the hot viewing glass is provided with this appliance and shall be installed for the protection of children and other at-risk individuals.



POUR PLUS DE SÉCURITÉ LIRE AVANT DE METTRE EN MARCHÉ

AVERTISSEMENT. Quiconque ne respecte pas à la lettre les instructions dans la présente notice risque de déclencher un incendie ou une explosion entraînant des dommages, des blessures ou la mort.

- A. Cet appareil est muni d'un dispositif d'allumage qui allume automatiquement la veilleuse. Ne tentez pas d'allumer la veilleuse manuellement.
- B. **AVANT DE FAIRE FONCTIONNER**, reniflez tout autour de l'appareil pour déceler une odeur de gaz. Reniflez près du plancher, car certains gaz sont plus lourds que l'air et peuvent s'accumuler au niveau du sol.

QUE FAIRE SI VOUS SENTEZ UNE ODEUR DE GAZ :

- Ne pas tenter d'allumer d'appareil.
- Ne touchez à aucun interrupteur; ne pas vous servir des téléphones se trouvant dans le bâtiment.

- Appelez immédiatement votre fournisseur de gaz depuis un voisin. Suivez les instructions du fournisseur.
- Si vous ne pouvez rejoindre le fournisseur, appelez le service des incendies.
- Si un élément de cette unité ne fonctionne pas tel que décrit dans les instructions, n'essayez pas de le réparer, appelez un technicien qualifié. N'utilisez pas d'outils. Le fait de forcer la manette ou de la réparer peut déclencher une explosion ou un incendie.
- N'utilisez pas cet appareil s'il a été plongé dans l'eau, même partiellement. Faites inspecter l'appareil par un technicien qualifié et remplacez toute partie du système de contrôle et toute commande qui ont été plongés dans l'eau.

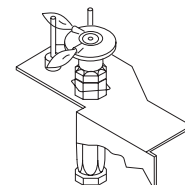
INSTRUCTIONS DE MISE EN MARCHÉ

1. **ARRÊTEZ !** Lisez les avertissements de sécurité à l'endos de cette étiquette.
2. Lisez le manuel d'utilisation et d'entretien incluant la section « Système de télécommande ».
3. Placez l'interrupteur du récepteur en position "OFF".
4. Appuyez sur le bouton "ON/OFF" pour sélectionner "OFF".
5. Coupez l'alimentation électrique de l'appareil.
6. Cet appareil est muni d'un dispositif d'allumage qui allume automatiquement la veilleuse. Ne tentez pas d'allumer la veilleuse manuellement.
7. Attendre cinq (5) minutes pour laisser échapper tout le gaz. Reniflez tout autour de l'appareil, y compris près du plancher, pour déceler une odeur de gaz. Si vous sentez une odeur de gaz, **ARRÊTEZ !** Passez à l'étape B des instructions de sécurité sur la portion supérieure de cette étiquette. S'il n'y a pas d'odeur de gaz, passez à l'étape suivante.
8. Mettez l'appareil sous tension.
9. Placez l'interrupteur du récepteur en position "REMOTE".
10. Appuyez sur le bouton "ON/OFF" pour sélectionner "ON".
11. (Si applicable) Ajustez le thermostat sur la télécommande à l'ajustement désiré.
12. Si l'appareil ne se met pas en marche, suivez les instructions intitulées « Comment couper l'admission de gaz de l'appareil » et appelez un technicien qualifié ou le fournisseur de gaz.

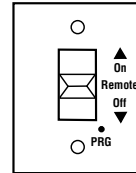
Valve électronique -
SIT Proflame



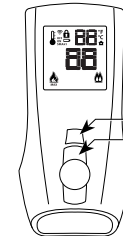
Module de veilleuse
électronique



Récepteur



Télécommande



Bouton ON/OFF
Bouton THERMOSTAT

COMMENT COUPER L'ADMISSION DE GAZ DE L'APPAREIL

1. Coupez l'alimentation électrique de l'appareil s'il faut procéder à l'entretien.
2. Sélectionnez OFF sur le récepteur.
3. Appuyez sur le bouton ON/OFF et sélectionnez OFF.
4. Fermer la valve de gaz principale.



DANGER



VITRE CHAUDE
RISQUE DE BRÛLURES.
NE TOUCHEZ PAS UNE VITRE
NON REFROIDIE.
NE LAISSEZ JAMAIS UN ENFANT
DE TOUCHER LA VITRE.

L'écran pare-étincelles fourni avec ce foyer réduit le risque de brûlure en cas de contact accidentel avec la vitre chaude et doit être installé pour la protection Des enfants et Des personnes à risques.

MAINTENANCE SCHEDULE

Turn off gas and electrical power to the fireplace and allow it to cool before cleaning or servicing the appliance.

Annually (Before the onset of the Burning Season)

MAINTENANCE TASK	ACCOMPLISHING PERSON	PROCEDURE
Inspect/Clean Burner, Logs, and Controls	Qualified Service Technician	Inspect valve and ensure it is properly operating. Check piping for leaks. Vacuum the control compartment, fireplace logs, and burner area.
Check Flame Patterns and Flame Height	Qualified Service Technician	Refer to Figure 13 or Figure 14 on Page 20 . Verify the flame pattern and height displayed by the appliance conforms to the picture. Flames must not impinge on the logs. Ensure flames are steady (not lifting or floating).
Inspect/Clean Pilot and Burner	Qualified Service Technician	Refer to Figure 15 on Page 20 . Remove any surface build-up on the pilot and burner assembly. Wipe the pilot nozzles, igniter/flame rod, and hood. Ensure the pilot flame engulfs the flame sensor as shown.
Check Vent System	Qualified Service Technician	Inspect the vent system at the top and at the base (within the firebox) for signs of blockage or obstruction. Look for any signs of dislocation or deterioration of the vent components. NOTE: Excessive condensation can cause corrosion of caps, pipe & fittings (excessive condensation can be caused by long lateral runs, too many elbows, and/or exterior portions of the system being exposed to cold weather). Also, inspect the wall straps or plumbers' tape to ensure they are securely in place.
Appliance Checkout	Qualified Service Technician	Perform the appropriate appliance checkout procedure detailed in this manual.
Replace Glowing Embers	Homeowner/Qualified Service Technician	Remove old ember materials (rockwool) and vacuum the ember placement area. Place new embers per instructions on Page 11 .

Periodically (After the Burning Season)

MAINTENANCE TASK	ACCOMPLISHING PERSON	PROCEDURE
Clean Firebox Interior	Homeowner	Carefully remove logs, rockwool, and volcanic stone. Vacuum out interior of the firebox. Clean firebox walls and log grate. Replace logs, glowing embers (rockwool), and volcanic stone as detailed in this manual.
Check Flame Patterns and Flame Height	Homeowner	Refer to Figure 13 and Figure 14 on Page 20 . Verify the flame pattern and height displayed by the appliance conforms to the picture. Flames must not impinge on the logs.
Check Vent System	Homeowner	Inspect the vent system at the top and at the base (within the firebox) for signs of blockage or obstruction. Look for any signs of dislocation of the vent components (reconnect or replace as necessary).
Clean Front Glass Enclosure Panel	Homeowner	Clean as necessary following the directions provided in this manual. Do not touch or attempt to clean glass while hot.

TROUBLESHOOTING GUIDE

NOTE: Before troubleshooting, be sure that the appliance main line gas shut-off valve and the wall switch are in the “ON” position. The following troubleshoots the fireplace only to an elementary level. For detailed Remote and Ignition System troubleshooting, refer to the instructions provided with the remote.

IMPORTANT: Detailed valve system troubleshooting should only be accomplished by a qualified service technician.

SYMPTOM	POSSIBLE CAUSES	CORRECTIVE ACTION
Nothing happens when the fireplace is turned on or off.	Remote control system is not functioning properly.	To use the remote control system, the wall switch plate must be set to REMOTE.
		Manually operate the fireplace using the wall switch (ON/OFF).
		Replace the batteries in the handheld remote and/or behind the wall switchplate.
	Unit is not receiving power.	Check/replace batteries behind the wall switchplate. Check building circuit breakers to ensure power is on to the fireplace.
The main burner does not light and the igniter is sparking.	Gas is not reaching the fireplace.	Check the gas supply and gas shutoff valves (call a service technician, if required).*
	Loose wires to the valve.	Check control compartment for any obvious loose wiring (call a service technician).
	Loose wires to ignition module.	Check control compartment for any obvious loose wiring (call a service technician).
	Air in the gas line.	Purge gas line of air (call a service technician).
The burner lights, then immediately goes out.	Gas is not reaching the fireplace.	Check the gas supply and gas shutoff valves (call a service technician, if required).*
	Loose wires to the valve or ignition module.	Check the gas supply and gas shutoff valves (call a service technician, if required).*
	Pilot flame is not engulfing the sensor.	Call a service technician.
	Obstructed vent system.	Call a service technician.
Log and glass soot	Flame impingement on the top log.	Check for proper log placement.
	Improper Air shutter opening.	Check for proper air shutter openings.

***The unit may have multiple gas supply shutoffs (the main gas supply valve in the house, the gas supply valve in the fireplace control compartment, and/or an additional shutoff valve near the fireplace).**

REPLACEMENT PARTS LIST

Item No.	Description	40 in.		45 in.	
		Cat. No.	Qty.	Cat. No.	Qty.
1	Door Modesty Shield	H4808	1	H4809	1
---	Log Set (Oak) (Traditional)	H8676	1	H8676	1
3	Enclosure, Glass Door	H2281	1	H2282	1
4	Spring Latch Assembly	H2274	2	H2274	2
5	Burner Assembly, Traditional	H4817	1	H4817	1
5	Burner Assembly, Contemporary	F1880	1	F1880	1
6	Venturi (Traditional)	H1428	1	H1428	1
---	Gasket—Venturi (Traditional)	43K85	1	43K85	1
8	Access Plate	H2277	1	H2277	1
9	Barrier	J7422	1	J7423	1
---	Barrier Filler	J7990	1	J7991	1
11	Gasket, Access Plate	H1452	1	H1452	1
12	Gas Line Tubing	H2283	1	H2284	1
13	Connector, Male	H2285	1	H2285	1
14	Orifice, Natural Gas, Traditional	H2286	1	J8001	1
14	Orifice, Propane Gas, Traditional	J8002	1	H2287	1
14	Orifice, Natural Gas, Contemporary	H2286	1	J8001	1
14	Orifice, Propane Gas, Contemporary	H8807	0	H8807	1
16	Bag of Glowing Embers (Traditional)	88L53	1	88L53	1
17	Grate Assembly	H4907	1	H4907	1
18	Gas Line, Flexible Connection	93L32	1	93L32	1
19	Modesty Panel, Right Side	J8152	1	J8153	1
20	Modesty Panel, Left Side	J8154	1	J8155	1
21	Access Door	J8156	1	J8156	1
---	Floor Panel	H3369	1	H3370	1
22	Bag of Volcanic Stone (Traditional)	80L42	1	80L42	2
23	Bag of Platinum Embers (Traditional)	H8312	1	H8312	1
---	Springs	J7542	1	J7542	1
---	Access Door	J7541	1	J7541	1
---	Insulation	J7544	1	J7544	1
---	Top Channel	J7545	1	J7545	1
---	Heat Baffle	J7548	1	J7548	1
---	Header Heat Shield	J7549	1	J7549	1

Contact an Innovative Hearth Products dealer to obtain any of these parts. Never use substitute materials. Use of non-approved parts can result in poor performance and safety hazards.

Gas Controls—SIT Electronic					
Item No.	Description	Natural Gas		Propane Gas	
		Part No.	Qty.	Part No.	Qty.
30	Gas Valve, SIT	H7270	1	H7271	1
31	Pilot Assembly	H7268	1	H7269	1
32	Control Module	H8656	1	H8656	1
---	Wiring Harness, Power	H8811	1	H8811	1
---	Wiring Harness, Control	H8814	1	H8814	1
---	Wiring Harness, Wall Switch	H8813	1	H8813	1
---	Wiring Harness, Jumper	H8809	1	H8809	1

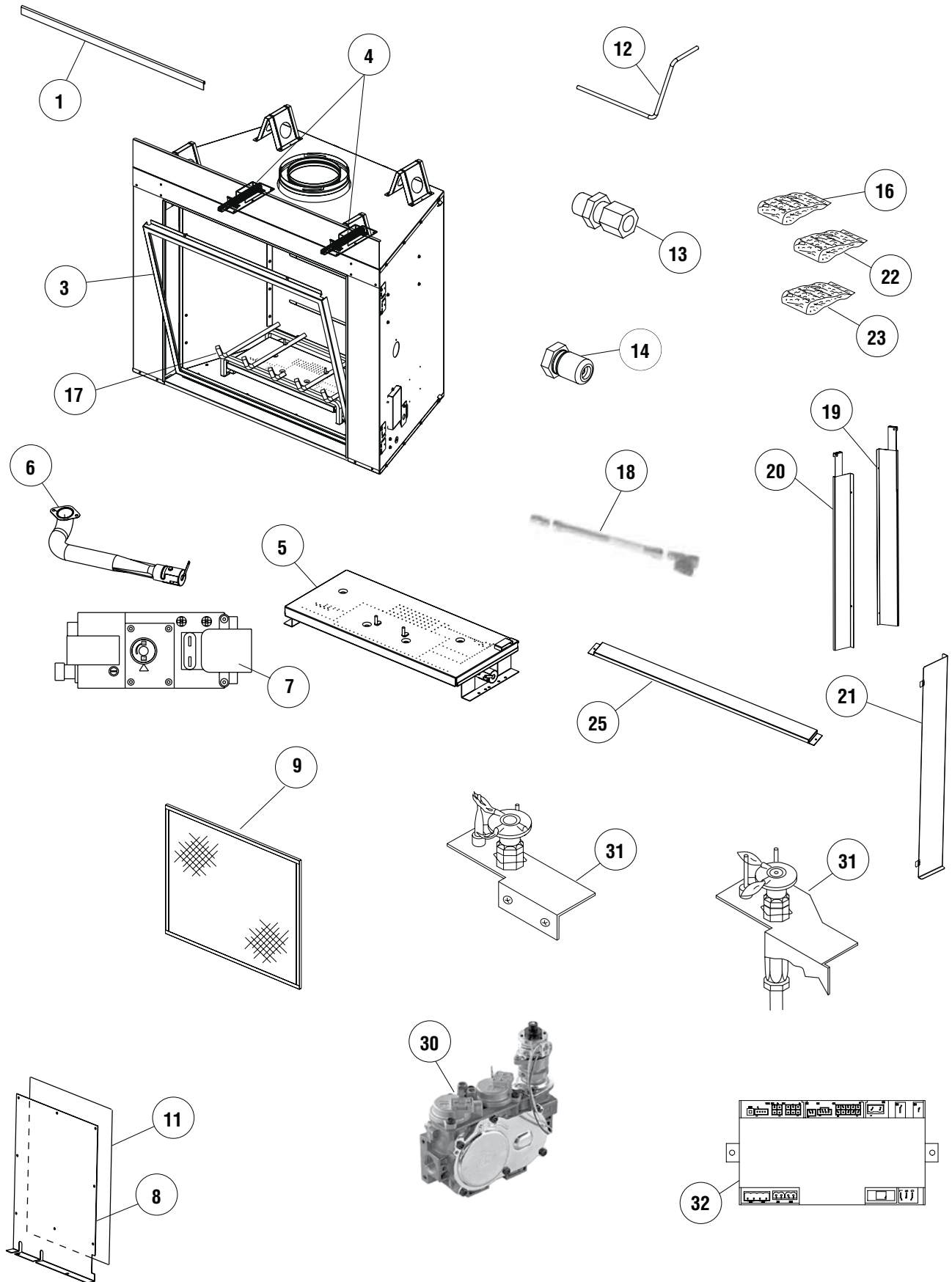
WARNING

Failure to position the parts in accordance with these diagrams or failure to use only parts specifically approved with this appliance may result in property damage or personal injury.

AVERTISSEMENT

Risque de dommages ou de blessures si les pièces ne sont pas installées conformément à ces schémas et ou si des pièces autres que celles spécifiquement approuvées avec cet appareil sont utilisées.

REPLACEMENT PARTS



Innovative Hearth Products Superior® Brand Gas Fireplaces, Stoves and Inserts 20 Year Limited Warranty

THE WARRANTY

Innovative Hearth Products ("IHP") 20 Year Limited Warranty warrants your Superior® Brand gas fireplace, Stove or Insert ("Product") to be free from defects in materials and workmanship at the time of manufacture. The Product body and firebox carry the 20 Year Limited Warranty. Ceramic glass carries the 20 Year Limited Warranty against thermal breakage only. After installation, if covered components manufactured by IHP are found to be defective in materials or workmanship during the 20 Year Limited Warranty period and while the Product remains at the site of the original installation, IHP will, at its option, repair or replace the covered components. If repair or replacement is not commercially practical, IHP will, at its option, refund the purchase price or wholesale price of the IHP product, whichever is applicable. IHP will also pay IHP prevailing labor rates, as determined in its sole discretion, incurred in repairing or replacing such components for up to five years. THERE ARE EXCLUSIONS AND LIMITATIONS to this 20 Year Limited Warranty as described herein.

COVERAGE COMMENCEMENT DATE

Warranty coverage begins on the date of purchase. In the case of new home construction, warranty coverage begins on the date of first occupancy of the dwelling or six months after the sale of the Product by an independent IHP dealer/distributor, whichever occurs earlier. The warranty shall commence no later than 24 months following the date of product shipment from IHP, regardless of the installation or occupancy date.

EXCLUSIONS AND LIMITATIONS

This 20 Year Limited Warranty applies only if the Product is installed in the United States or Canada and only if operated and maintained in accordance with the printed instructions accompanying the Product and in compliance with all applicable installation and building codes and good trade practices.

This warranty is non-transferable and extends to the original owner only. The Product must be purchased through a listed supplier of IHP and proof of purchase must be provided. The Product body and firebox carry the 20 Year Limited Warranty from the date of installation. Vent components, trim components and paint are excluded from this 20 Year Limited Warranty. The following do not carry the 20 Year Limited Warranty but are warranted as follows:

- Burner** – Repair or replacement for one year from the date of installation
- Gas components** – Repair or replacement for one year from the date of installation
- Gaskets** – Repair or replacement for one year from the date of installation
- Logs** – Replacement for one year from the date of installation against thermal breakage only
- Optional blowers & remote controls** – Repair or replacement for one year from the date of installation
- Optional glass doors** – Repair or replacement for 90 days from the date of installation
- Tempered glass** – Replacement for one year from the date of installation
- Labor coverage** – Prevailing IHP labor rates apply for the warranty period of the component

Parts not otherwise listed carry a 90 day warranty from the date of installation.

Whenever practicable, IHP will provide replacement parts, if available, for a period of 10 years from the last date of manufacture of the Product.

IHP will not be responsible for: (a) damages caused by normal wear and tear, accident, riot, fire, flood or acts of God; (b) damages caused by abuse, negligence, misuse, or unauthorized alteration or repair of the Product affecting its stability or performance (The Product must be subjected to normal use. The Product is designed to burn either natural or propane gas only. Burning conventional fuels such as wood, coal or any other solid fuel will cause damage to the Product, will produce excessive temperatures and could result in a fire hazard.); (c) damages caused by failing to provide proper maintenance and service in accordance with the instructions provided with the Product; (d) damages, repairs or inefficiency resulting from faulty installation or application of the Product.

IHP is not responsible for inadequate fireplace system draft caused by air conditioning and heating systems, mechanical ventilation systems, or general construction conditions which may generate negative pressure in the room in which the appliance is installed. Additionally IHP assumes no responsibility for drafting conditions caused by venting configurations, adjoining trees or buildings, adverse wind conditions or unusual environmental factors and conditions that affect the operation of the unit.

This 20 Year Limited Warranty covers only parts and labor as provided herein. In no case shall IHP be responsible for materials, components or construction, which are not manufactured or supplied by IHP or for the labor necessary to install, repair or remove such materials, components or construction. Additional utility bills incurred due to any malfunction or defect in equipment are not covered by this warranty. All replacement or repair components will be shipped F.O.B. from the nearest stocking IHP factory.

LIMITATION ON LIABILITY

It is expressly agreed and understood that IHP's sole obligation and the purchaser's exclusive remedy under this warranty, under any other warranty, expressed or implied, or in contract, tort or otherwise, shall be limited to replacement, repair, or refund, as specified herein.

In no event shall IHP be liable for any incidental or consequential damages caused by defects in the Product, whether such damage occurs or is discovered before or after repair or replacement, and whether such damage is caused by IHP's negligence. IHP has not made and does not make any representation or warranty of fitness for a particular use or purpose, and there is no implied condition of fitness for a particular use or purpose.

IHP makes no expressed warranties except as stated in this 20 Year Limited Warranty. The duration of any implied warranty is limited to the duration of this expressed warranty.

No one is authorized to change this 20 Year Limited Warranty or to create for IHP any other obligation or liability in connection with the Product. Some states and provinces do not allow the exclusion or limitation of incidental or consequential damages, so the above limitations or exclusions may not apply to you. The provisions of this 20 Year Limited Warranty are in addition to and not a modification of or subtraction from any statutory warranties and other rights and remedies provided by law.

INVESTIGATION OF CLAIMS AGAINST WARRANTY

IHP reserves the right to investigate any and all claims against this 20 Year Limited Warranty and to decide, in its sole discretion, upon the method of settlement.

To receive the benefits and advantages described in this 20 Year Limited Warranty, the appliance must be installed and repaired by a licensed contractor approved by IHP.

Contact IHP at the address provided herein to obtain a listing of approved dealers/distributors. **IHP shall in no event be responsible for any warranty work done by a contractor that is not approved without first obtaining IHP's prior written consent.**

HOW TO REGISTER A CLAIM AGAINST WARRANTY

In order for any claim under this warranty to be valid, you must contact the IHP dealer/distributor from which you purchased the product. If you cannot locate the dealer/distributor, then you must notify IHP in writing. IHP must be notified of the claimed defect in writing within 90 days of the date of failure. Notices should be directed to the IHP Warranty Department at 1508 Elm Hill Pike, Suite 108; Nashville, TN 37210 or visit our website at WWW.SUPERIORFIREPLACES.US.COM.

Contact an IHP dealer to obtain any of these parts. Please contact IHP for the phone number of your nearest IHP dealer.

SuperiorFireplaces.us.com

Record the following important information about your fireplace:

Fireplace model number	
Fireplace serial number	
Date fireplace was Installed	
Type of gas fireplace uses	
Dealer name	

Innovative Hearth Products reserves the right to make changes at any time, without notice, in design, materials, specifications, prices and also to discontinue colors, styles and products. Consult your local distributor for fireplace code information.

