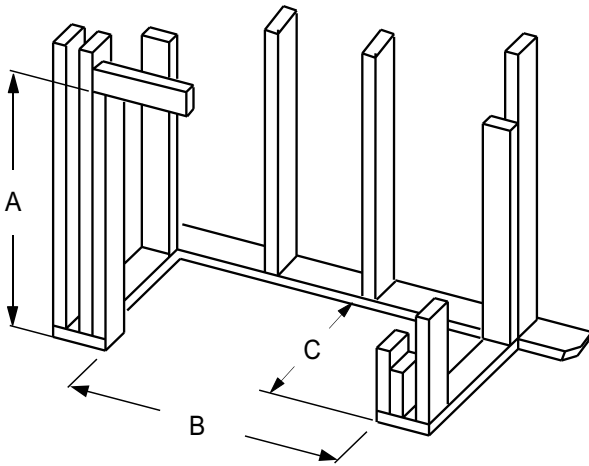


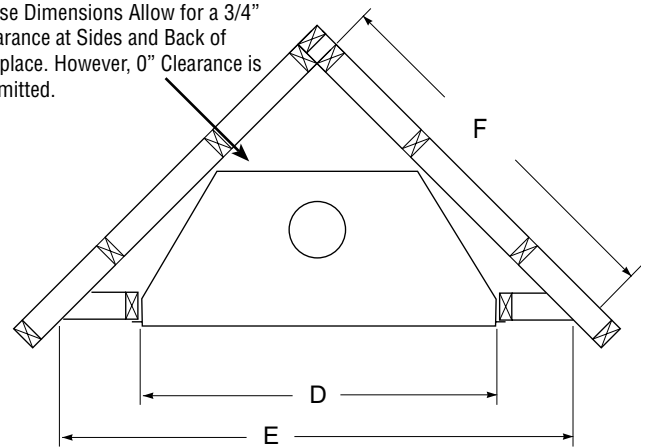
# BRT4500 36/42 SERIES

## B-VENT FIREPLACES

Framing Dimensions

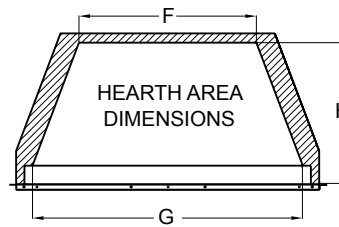
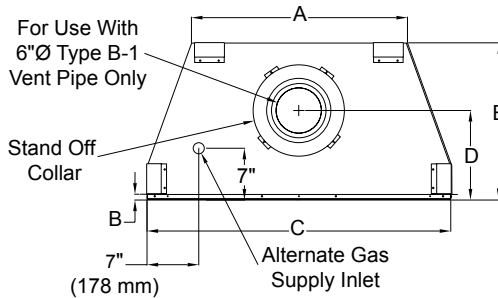


These Dimensions Allow for a 3/4" Clearance at Sides and Back of Fireplace. However, 0" Clearance is Permitted.



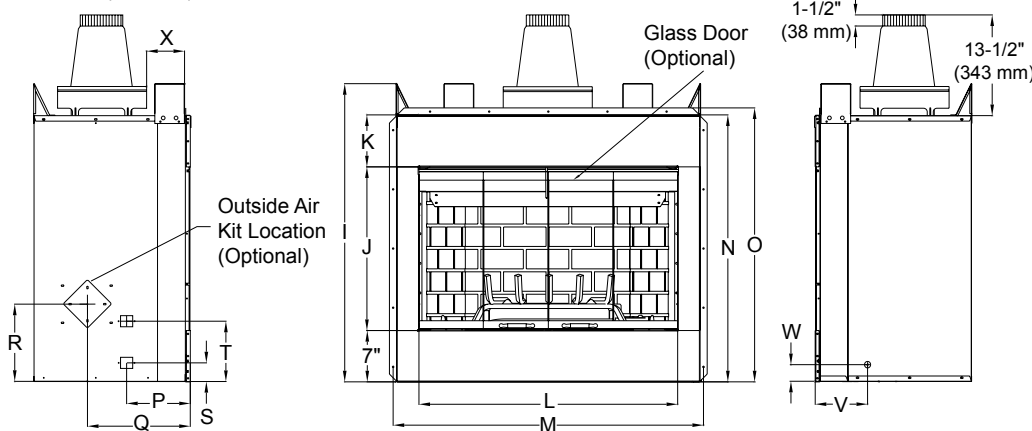
Models	A	B	C
36" Models	40-3/8" 1026 mm	41-1/4" 1048 mm	21-3/8" 543 mm
42" Models	44-3/8" 1127 mm	48-1/4" 1226 mm	23-1/8" 588 mm

Models	D	E	F
36" Models	41-1/4" 1048 mm	73-7/8" 1877 mm	52-1/4" 1327 mm
42" Models	48-1/4" 1226 mm	83-7/8" 2131 mm	59-3/8" 1508 mm



	36" Model	42" Model
A	29 (737)	36 (915)
B	5/8 (16)	5/8 (16)
C	41 (1042)	48 (1220)
D	12 (305)	14 (356)
E	21-1/4 (540)	23 (585)
F	22-1/4 (566)	29-1/4 (743)
G	32-5/8 (829)	39-1/2 (1004)
H	15-3/4 (400)	17-3/4 (451)
I	40-1/4 (1023)	44-1/4 (1124)
J	21 (534)	24 (610)
K	8 (204)	9 (229)
L	34-3/4 (883)	42 (1067)
M	42 (1067)	49 (1245)
N	36 (915)	40 (1016)
O	37 (940)	41 (1042)
P	8-5/8 (220)	10-1/2 (267)
Q	13-7/8 (353)	14 (356)
R	10-1/2 (267)	12-1/2 (318)
S	2-1/2 (64)	2-1/2 (64)
T	8-1/8 (207)	8-1/8 (207)
U	11 (280)	12-3/4 (324)
V	7 (178)	7 (178)
W	2-1/4 (58)	2-1/4 (58)
X	5 (127)	4-1/2 (115)

Fireplace Dimensions



Diagrams, illustrations and photographs are not to scale. Consult installation instructions. Product designs, materials, dimensions, specifications, colors, and prices are subject to change or discontinuance without notice.

# BRT4500 36/42 SERIES

Product Information

Cat. #	Model	Refractory	Weight	Cu. Ft.
F0822	BRT4536TMN	Red Herringbone	225 lb.	23.8
F0823	BRT4536TMP	Red Herringbone	225 lb.	23.8
F0824	BRT4536TEN	Red Herringbone	225 lb.	23.8
F0825	BRT4536TEP	Red Herringbone	225 lb.	23.8
F0834	BRT4542TMN	Red Herringbone	257 lb.	32
F0835	BRT4542TMP	Red Herringbone	257 lb.	32
F0836	BRT4542TEN	Red Herringbone	257 lb.	32
F0837	BRT4542TEP	Red Herringbone	257 lb.	32

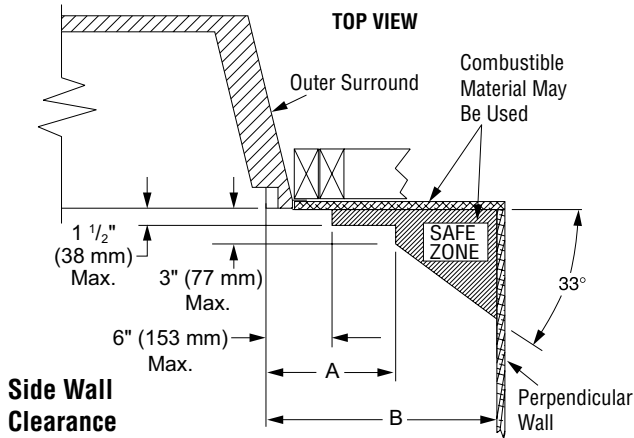


Report No. F09-143

This fireplace complies with the National Safety Standards and is listed and tested by the PFS Corporation to ANSI Z21.50/CSA 2.22 standard as a vented gas fireplace.

Listing Information

Clearances



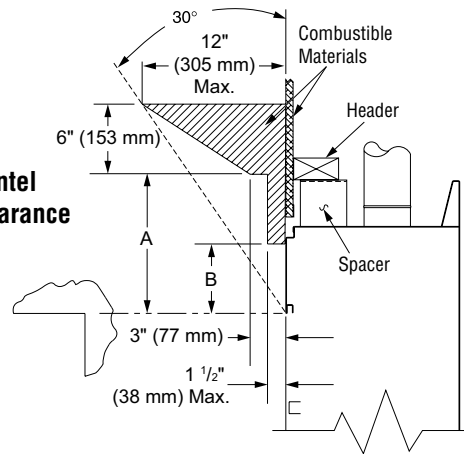
Side Wall Clearance

	36" Models	42" Models
A	9" (229 mm)	6" (153 mm)
B	12" (305 mm)	9" (229 mm)

\* 3/4" clearance not required at nailing flanges.

\*\*If fireplace is to be installed directly on carpeting, vinyl tile or any combustible material other than wood flooring, fireplace must be installed upon a metal or wood panel extending full width and depth of fireplace.

Mantel Clearance



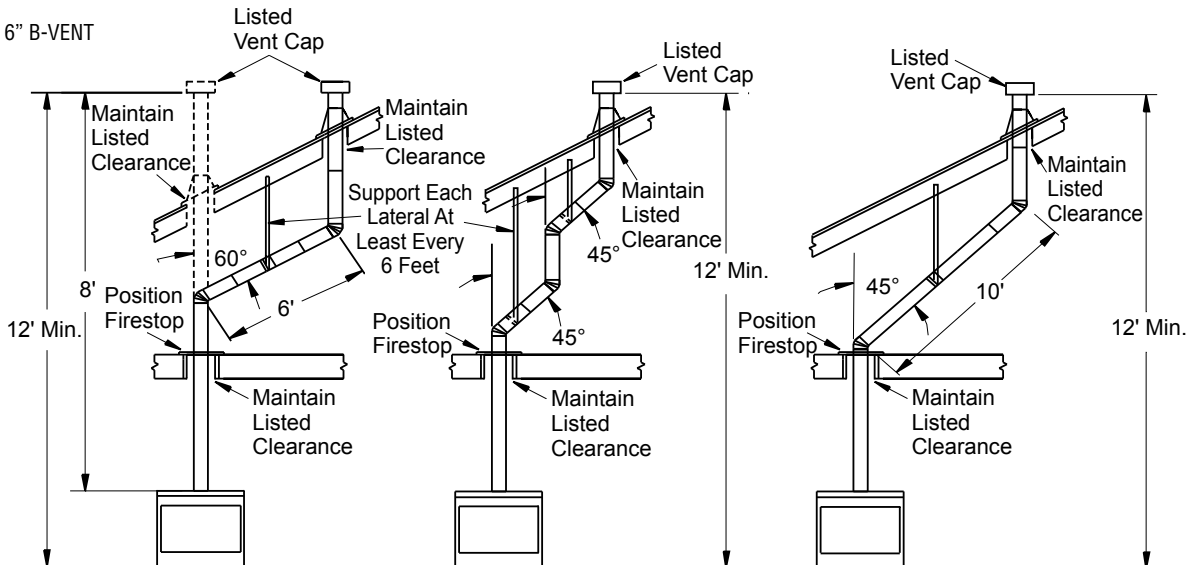
	36" Models	42" Models
A	14" (356 mm)	15" (380 mm)
B	8" (203 mm)	9" (229 mm)

Minimum Clearances to Combustibles

Back and Sides	0"	0 mm
Floor**	0"	0 mm
Ceiling to Opening	42"	1067 mm
Front of Fireplace	48"	1219 mm
"B" Vent Surfaces	1"	26 mm

Venting

USES 6" B-VENT



NOTE: DIAGRAMS & ILLUSTRATIONS ARE NOT TO SCALE.  
Printed in U.S.A. © 2016 Innovative Hearth Products  
P/N 900625-01 REV. NC 04/2016



Specifications and clearances are subject to change without notice. Refer to Installation Manual before installation of these appliances for updated dimensions and instructions.