



ELECTRIC HEAT PUMP
PACKAGED THRU-THE-WALL UNITS

MHP4

FORM NO. MHP4-100 (11/2014)

FEATURES

- Up to 10.0 EER cooling efficiency
- Completely self-contained heating and cooling package
 - No outside condensing unit
 - No external refrigerant lines
 - No separate cooling coil
- Pre-wired and pre-charged
- Individually metered and controlled
- Easy service access
- Louver color options to match building facade
- Available with optional factory installed Ventilation Air Kit

REFRIGERANT SYSTEM

- R410A Refrigerant
- High efficiency compressor
- Copper tubing with enhanced fin coils

CABINET

- Fully insulated cabinet for quiet operation
- Anti-microbial insulation in all air handling compartments

BLOWER

- Four-speed permanently lubricated motor for low maintenance, maximum efficiency and wide airflow range
- PSC permanently lubricated motor for low maintenance and maximum efficiency
- Dynamically balanced blower with resilient motor mounts for smooth and quiet operation
- Internal washable filter

CONTROLS

- Color coded wiring for easy service
- Fuse protection on 24V circuit

INSTALLATION

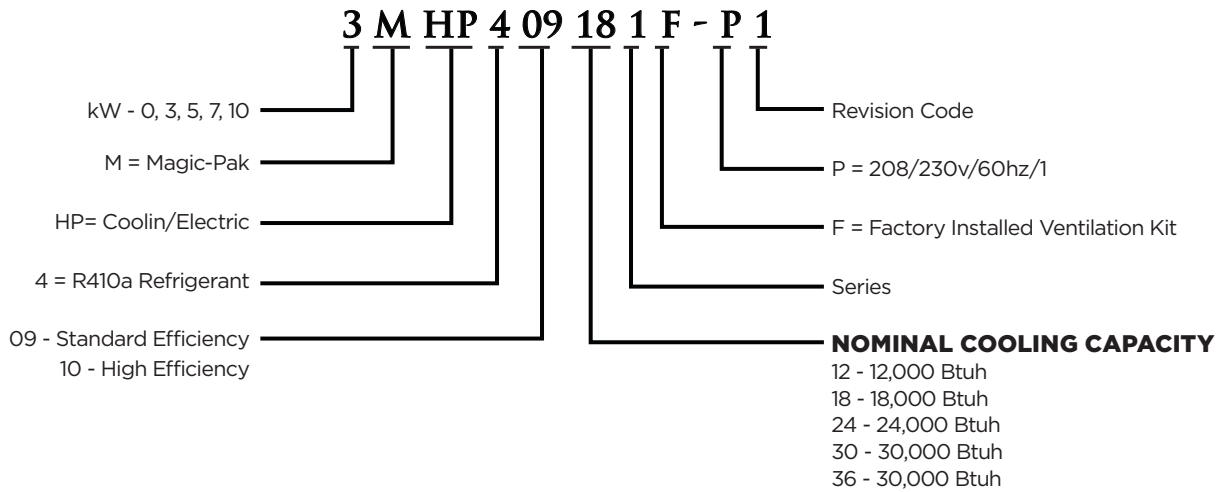
- Easy to install and service
- Louver mounts flush to outside wall

WARRANTY

5 year limited warranty on all parts



MODEL NUMBER GUIDE



ELECTRICAL AND PHYSICAL DATA

| Model | Voltage/ Hz/Phase | Voltage Range | Minimum Circuit Ampacity | | | | Maximum Fuse/HACR Breaker | | | | Compressor | | Outside Fan | | | Indoor Blower | | R410 Refring. Change (oz) | Weight (lbs) | | |
|----------------|-------------------|---------------|--------------------------|-----|-----------|-----|---------------------------|-----|-----------|-----|-----------------|-------------------|-------------|-------------|-----------------|---------------|-------------------------|---------------------------|--------------|-----------------|----------|
| | | | Circuit 1 | | Circuit 2 | | Circuit 1 | | Circuit 2 | | Rated Load Amps | Locked Rotor Amps | Dia. (in) | Nominal RPM | Rated Load Amps | Rated HP | Wheel Dia. x Width (in) | | | Rated Load Amps | Rated HP |
| | | | 208 | 230 | 208 | 230 | 208 | 230 | 208 | 230 | | | | | | | | | | | |
| | | | | | | | | | | | | | | | | | | | | | |
| 3MHP4-09-121P | 208-230/60/1 | 197 - 253 | 28 | 30 | * | * | 30 | 30 | * | * | 6.8 | 45 | 16 | 1075 | 0.9 | 1/8 | 9 x 6 | 1.6 | 1/4 | 61 | 200 |
| 5MHP4-09-121P | | | 33 | 36 | * | * | 35 | 40 | * | * | | | | | | | | | | | |
| 7MHP4-09-121P | | | 44 | 49 | * | * | 45 | 50 | * | * | | | | | | | | | | | |
| 3MHP4-09-181P | 208-230/60/1 | 197 - 253 | 31 | 34 | --- | --- | 35 | 35 | --- | --- | 9.6 | 4 43 5 | 16 | 1075 | 0.9 | 41/85 | 9 x 6 | 1.6 | 1 1/4 | 4 53 5 | 200 |
| 5MHP4-09-181P | | | 37 | 40 | --- | --- | 40 | 40 | --- | --- | | | | | | | | | | | |
| 7MHP4-09-181P | | | 48 | 53 | --- | --- | 50 | 60 | --- | --- | | | | | | | | | | | |
| 10MHP4-09-181P | | | 15 | 15 | 44 | 50 | 20 | 20 | 45 | 50 | | | | | | | | | | | |
| 5MHP4-09-241P | 208-230/60/1 | 197 - 253 | 43 | 46 | --- | --- | 45 | 50 | --- | --- | 14.1 | 73 | 18 | 1075 | .09 | 1/8 | 9 x 6 | 1.6 | 1/4 | 72 | 215 |
| 7MHP4-09-241P | | | 54 | 59 | --- | --- | 60 | 60 | --- | --- | | | | | | | | | | | |
| 10MHP4-09-241P | | | 21 | 21 | 44 | 50 | 30 | 30 | 45 | 50 | | | | | | | | | | | |
| 5MHP4-09-301P | 208-230/60/1 | 197 - 253 | 46 | 49 | --- | --- | 50 | 60 | --- | --- | 16 | 77 | 18 | 1075 | 1.6 | 1/4 | 9 x 7 | 1.9 | 1/3 | 90 | 225 |
| 7MHP4-09-301P | | | 24 | 24 | 33 | 36 | 35 | 35 | 35 | 40 | | | | | | | | | | | |
| 10MHP4-09-301P | | | 24 | 24 | 44 | 50 | 35 | 35 | 45 | 50 | | | | | | | | | | | |
| 5MHP4-09-361P | 208-230/60/1 | 197 - 253 | 49 | 52 | - | - | 50 | 60 | - | - | 17.9 | 112 | 18 | 1075 | 1.6 | 1/4 | 10 x 7 | 2.7 | 1/2 | 98 | 260 |
| 7MHP4-09-361P | | | 27 | 27 | 33 | 36 | 35 | 35 | 35 | 40 | | | | | | | | | | | |
| 10MHP4-09-361P | | | 27 | 27 | 44 | 50 | 35 | 40 | 45 | 50 | | | | | | | | | | | |
| 3MHP4-10-181P | 208-230/60/1 | 197 - 253 | 30 | 33 | --- | --- | 35 | 35 | --- | --- | 9.0 | 43 | 18 | 1075 | 0.9 | 1/8 | 9 x 6 | 1.6 | 1/4 | 80 | 230 |
| 5MHP4-10-181P | | | 36 | 39 | --- | --- | 40 | 40 | --- | --- | | | | | | | | | | | |
| 7MHP4-10-181P | | | 47 | 51 | --- | --- | 50 | 60 | --- | --- | | | | | | | | | | | |
| 10MHP4-10-181P | | | 14 | 14 | 44 | 49 | 20 | 20 | 45 | 50 | | | | | | | | | | | |
| 5MHP4-10-241P | 208-230/60/1 | 197 - 253 | 41 | 45 | --- | --- | 45 | 50 | --- | --- | 13.5 | 73 | 18 | 1075 | 0.9 | 1/8 | 9 x 6 | 1.6 | 1/4 | 96 | 235 |
| 7MHP4-10-241P | | | 52 | 57 | --- | --- | 60 | 60 | --- | --- | | | | | | | | | | | |
| 10MHP4-10-241P | | | 20 | 20 | 44 | 49 | 30 | 30 | 45 | 50 | | | | | | | | | | | |
| 5MHP4-10-301P | 208-230/60/1 | 197 - 253 | 43 | 47 | --- | --- | 50 | 60 | --- | --- | 14.1 | 77 | 18 | 1075 | 1.6 | 1/4 | 9 x 7 | 1.9 | 1/3 | 102 | 255 |
| 7MHP4-10-301P | | | 22 | 22 | 33 | 36 | 35 | 35 | 35 | 40 | | | | | | | | | | | |
| 10MHP4-10-301P | | | 22 | 22 | 44 | 49 | 35 | 35 | 45 | 50 | | | | | | | | | | | |

BLOWER PERFORMANCE

| Model | Blower Speed | CFM @ ext. static pressure - in. w.c. with filter | | | | |
|--|--------------|---|------|------|------|------|
| | | 0.1 | 0.2 | 0.3 | 0.4 | 0.5 |
| MHP4-09-121P MHP4-09-181P MHP4-09-241P | Low | 450 | 440 | 425 | 400 | 370 |
| | Medium Low | 700 | 690 | 680 | 650 | 600 |
| | Medium High | 810 | 800 | 790 | 770 | 730 |
| | High | 940 | 920 | 875 | 850 | 810 |
| MHP4-09-301P | Low | 620 | 600 | 580 | 560 | 530 |
| | Medium Low | 840 | 820 | 785 | 750 | 700 |
| | Medium High | 975 | 940 | 870 | 825 | 760 |
| | High | 1075 | 1000 | 930 | 880 | 800 |
| MHP4-09-361P | Low | 750 | 720 | 680 | 650 | 620 |
| | Medium Low | 1000 | 980 | 950 | 920 | 880 |
| | Medium High | 1100 | 1080 | 1050 | 1020 | 980 |
| | High | 1270 | 1230 | 1200 | 1170 | 1130 |
| MHP4-10-181P MHP4-10-241P | Low | 450 | 440 | 425 | 400 | 370 |
| | Medium Low | 700 | 690 | 680 | 650 | 600 |
| | Medium High | 810 | 800 | 790 | 770 | 730 |
| | High | 940 | 920 | 875 | 850 | 810 |
| MHP4-10-301P | Low | 630 | 620 | 610 | 580 | 550 |
| | Medium Low | 900 | 890 | 850 | 800 | 750 |
| | Medium High | 1070 | 1030 | 1000 | 920 | 840 |
| | High | 1220 | 1150 | 1100 | 1030 | 920 |

ELECTRIC HEAT DATA

| Model | Input Voltage | | | | | | | | |
|-------|---------------|--------|-------|-------|--------|-------|-------|--------|-------|
| | 240 | | | 230 | | | 208 | | |
| | kW/Hr | Btuh | Amps | kW/Hr | Btuh | Amps | kW/Hr | Btuh | Amps |
| 3kW | 3.60 | 12,284 | 15.00 | 3.31 | 11,281 | 14.38 | 2.70 | 9,226 | 13.00 |
| 5kW | 4.80 | 16,378 | 20.00 | 4.41 | 15,042 | 19.17 | 3.61 | 12,302 | 17.33 |
| 7kW | 7.20 | 24,567 | 30.00 | 6.61 | 22,563 | 28.75 | 5.41 | 18,453 | 26.00 |
| 10kW | 9.60 | 32,757 | 40.00 | 8.82 | 30,084 | 38.33 | 7.21 | 24,604 | 34.67 |

PERFORMANCE

| Model | Cooling | | | Heating | | | | CFM | Electric Heat @ 240V | |
|----------------|---------|-------|------|---------|-----|--------|-----|------|----------------------|--------|
| | Btuh | EER | S/T | 47°F | | 17°F | | | kW/Hr | Btuh |
| | | | | Btuh | COP | Btuh | COP | | | |
| 3MHP4-09-121P | 12,000 | 9.00 | 0.73 | 11,000 | 3.0 | 6100 | 1.6 | 475 | 3.6 | 12,200 |
| 5MHP4-09-121P | | | | | | | | | 4.8 | 16,300 |
| 7MHP4-09-121P | | | | | | | | | 7.2 | 24,500 |
| 3MHP4-09-181P | 16,500 | 9.0 | .75 | 16,000 | 3.0 | 8,800 | 1.8 | 600 | 3.6 | 12,200 |
| 5MHP4-09-181P | | | | | | | | | 4.8 | 16,300 |
| 7MHP4-09-181P | | | | | | | | | 7.2 | 24,500 |
| 10MHP4-09-181P | | | | | | | | | 9.6 | 32,700 |
| 5MHP4-09-241P | 22,000 | 9.0 | .75 | 21,200 | 3.0 | 14,200 | 2.0 | 800 | 4.8 | 16,300 |
| 7MHP4-09-241P | | | | | | | | | 7.2 | 24,500 |
| 10MHP4-09-241P | | | | | | | | | 9.6 | 32,700 |
| 5MHP4-09-301P | 29,000 | 9.0 | .73 | 34,600 | 3.0 | 20,000 | 2.0 | 1000 | 4.8 | 16,300 |
| 7MHP4-09-301P | | | | | | | | | 7.2 | 24,500 |
| 10MHP4-09-301P | | | | | | | | | 9.6 | 32,700 |
| 5MHP4-09-361P | 34,800 | 9.0 | .74 | 34,600 | 3.0 | 22,000 | 2.0 | 1150 | 4.8 | 16,300 |
| 7MHP4-09-361P | | | | | | | | | 7.2 | 24,500 |
| 10MHP4-09-361P | | | | | | | | | 9.6 | 32,700 |
| 3MHP4-10-181P | 16,500 | 10.00 | .78 | 16,500 | 3.2 | 10,200 | 2.1 | 650 | 3.6 | 12,200 |
| 5MHP4-10-181P | | | | | | | | | 4.8 | 16,300 |
| 7MHP4-10-181P | | | | | | | | | 7.2 | 24,500 |
| 10MHP4-10-181P | | | | | | | | | 9.6 | 32,700 |
| 5MHP4-10-241P | 22,800 | 10.00 | .76 | 22,800 | 3.2 | 14,600 | 2.2 | 800 | 4.8 | 16,300 |
| 7MHP4-10-241P | | | | | | | | | 7.2 | 24,500 |
| 10MHP4-10-241P | | | | | | | | | 9.6 | 32,700 |
| 5MHP4-10-301P | 27,600 | 10.00 | .76 | 27,600 | 3.2 | 18,200 | 2.2 | 1000 | 4.8 | 16,300 |
| 7MHP4-10-301P | | | | | | | | | 7.2 | 24,500 |
| 10MHP4-10-301P | | | | | | | | | 9.6 | 32,700 |

HEATING PERFORMANCE EXTENDED RATINGS

| Model | Outdoor Temperature - DB / WB °F | | | | | | | | | |
|--------------|----------------------------------|------|--------|------|--------|------|--------|------|--------|------|
| | 0/0 | | 17/15 | | 35/33 | | 47/43 | | 62/56 | |
| | Btuh | kW | Btuh | kW | Btuh | kW | Btuh | kW | Btuh | kW |
| MHP4-09-121P | 3,100 | 1.10 | 5,951 | 1.15 | 9000 | 1.20 | 1,165 | 1.24 | 14,500 | 1.29 |
| MHP4-09-181P | 6,500 | 1.56 | 8,800 | 1.67 | 11,400 | 1.69 | 16,000 | 1.82 | 19,500 | 1.94 |
| MHP4-09-241P | 11,300 | 2.35 | 14,200 | 2.42 | 17,600 | 2.32 | 21,600 | 2.46 | 25,200 | 2.57 |
| MHP4-09-301P | 16,900 | 3.26 | 20,000 | 3.41 | 22,400 | 3.19 | 30,000 | 3.41 | 35,400 | 3.59 |
| MHP4-09-361P | 17,800 | 3.68 | 22,000 | 3.75 | 25,300 | 3.74 | 35,000 | 3.98 | 42,000 | 4.14 |
| MHP4-10-181P | 7,800 | 1.61 | 10,200 | 1.66 | 13,100 | 1.72 | 17,000 | 1.81 | 20,300 | 1.88 |
| MHP4-10-241P | 12,600 | 2.15 | 14,600 | 2.26 | 16,600 | 2.31 | 23,000 | 2.45 | 27,200 | 2.58 |
| MHP4-10-301P | 13,900 | 2.73 | 18,200 | 2.82 | 22,300 | 2.86 | 28,000 | 2.99 | 33,100 | 3.10 |

COOLING PERFORMANCE EXTENDED RATINGS

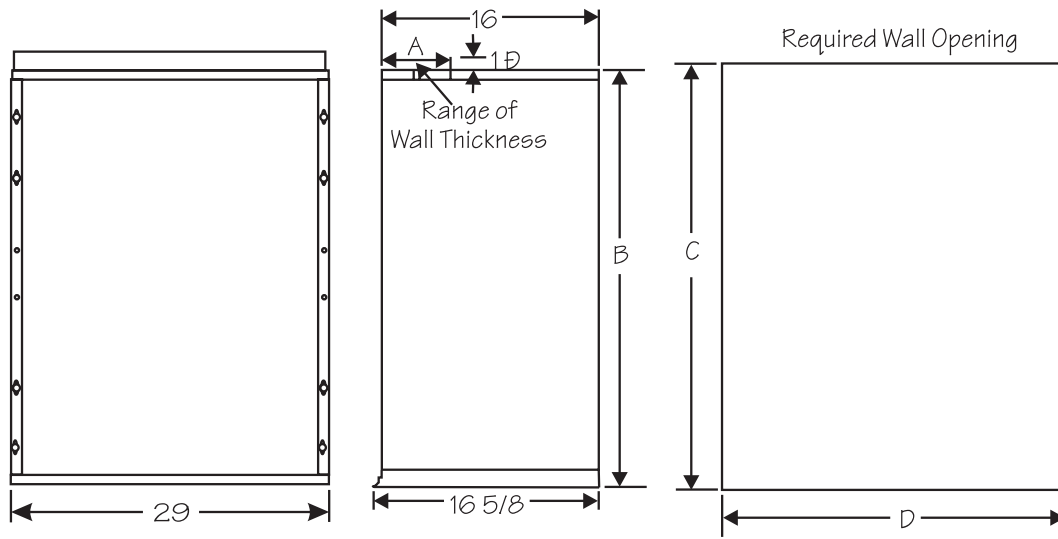
| Model | Indoor Temp DB/WB °F | Outdoor Temperature - DB °F | | | | | | | | | | | | | | |
|--------------|----------------------|-----------------------------|------|------|--------|------|------|--------|------|------|--------|------|------|--------|------|------|
| | | 65° | | | 85° | | | 95° | | | 105° | | | 115° | | |
| | | Btuh | S/T | kW | Btuh | S/T | kW | Btuh | S/T | kW | Btuh | S/T | kW | Btuh | S/T | kW |
| MHP4-09-121P | 85/72 | 15,800 | .61 | 1.43 | 14,900 | .64 | 1.56 | 13,400 | .67 | 1.66 | 12,000 | .72 | 1.71 | 1,000 | .77 | 1.73 |
| | 80/67 | 14,900 | .68 | 1.43 | 14,000 | .71 | 1.55 | 12,700 | .73 | 1.65 | 11,000 | .81 | 1.66 | 900 | .89 | 1.70 |
| | 75/63 | 13,800 | .71 | 1.42 | 13,000 | .76 | 1.52 | 11,100 | .80 | 1.60 | 10,000 | .88 | 1.55 | 800 | .92 | 1.68 |
| | 75/57 | 12,800 | .74 | 1.41 | 12,000 | .80 | 1.49 | 10,400 | .84 | 1.58 | 9,000 | .94 | 2.02 | 700 | .95 | 1.65 |
| MHP4-09-181P | 85/72 | 24,300 | .59 | 1.65 | 21,200 | .63 | 1.81 | 19,000 | .66 | 1.94 | 16,900 | .69 | 2.02 | 15,000 | .71 | 1.99 |
| | 80/67 | 22,300 | .66 | 1.42 | 19,000 | .69 | 1.77 | 16,800 | .73 | 1.87 | 15,600 | .76 | 1.97 | 13,100 | .80 | 1.94 |
| | 75/63 | 20,100 | .70 | 1.60 | 17,100 | .75 | 1.74 | 14,900 | .78 | 1.84 | 13,100 | .81 | 1.92 | 11,400 | .83 | 1.90 |
| | 75/57 | 19,800 | 1.00 | 1.59 | 16,690 | 1.00 | 1.73 | 14,700 | 1.00 | 1.83 | 12,900 | 1.00 | 1.92 | 11,100 | 1.00 | 1.90 |
| MHP4-09-241P | 85/72 | 27,200 | .69 | 2.04 | 25,200 | .70 | 2.39 | 23,800 | .71 | 2.66 | 22,100 | .74 | 2.93 | 20,500 | .76 | 2.92 |
| | 80/67 | 25,600 | .74 | 2.01 | 25,100 | .71 | 2.29 | 23,000 | .74 | 2.56 | 21,500 | .76 | 2.81 | 17,200 | .91 | 2.85 |
| | 75/63 | 23,800 | .76 | 1.98 | 21,300 | .81 | 2.29 | 19,400 | .84 | 2.53 | 17,500 | .89 | 2.79 | 15,700 | .94 | 2.77 |
| | 75/57 | 22,300 | 1.00 | 1.97 | 20,900 | 1.00 | 2.27 | 19,000 | 1.00 | 2.51 | 17,100 | 1.00 | 2.79 | 15,300 | 1.00 | 2.79 |
| MHP4-09-301P | 85/72 | 36,900 | .59 | 2.50 | 33,800 | .75 | 2.93 | 31,300 | .88 | 3.25 | 28,800 | .90 | 3.58 | 26,400 | .92 | 3.56 |
| | 80/67 | 34,800 | .66 | 2.48 | 31,900 | .70 | 2.87 | 29,000 | .71 | 3.22 | 26,800 | .91 | 3.54 | 23,900 | .79 | 3.52 |
| | 75/63 | 32,800 | .70 | 2.46 | 29,100 | .75 | 2.88 | 26,300 | .79 | 3.19 | 24,000 | .83 | 3.51 | 21,800 | .87 | 3.48 |
| | 75/57 | 30,300 | 1.00 | 2.43 | 27,800 | 1.00 | 2.84 | 25,800 | 1.00 | 3.16 | 23,500 | 1.00 | 3.47 | 21,300 | 1.00 | 3.47 |
| MHP4-09-361P | 85/72 | 43,300 | .60 | 2.94 | 39,600 | .63 | 3.44 | 36,700 | .66 | 3.82 | 33,800 | .69 | 4.20 | 31,000 | .71 | 4.18 |
| | 80/67 | 40,800 | .67 | 2.92 | 37,400 | .72 | 3.37 | 34,000 | .76 | 3.78 | 31,400 | .79 | 4.15 | 28,000 | .83 | 4.13 |
| | 75/63 | 38,400 | .72 | 2.90 | 34,100 | .77 | 3.38 | 30,800 | .80 | 3.75 | 28,100 | .84 | 4.11 | 25,600 | .88 | 4.08 |
| | 75/57 | 35,500 | 1.00 | 2.86 | 32,600 | 1.00 | 3.34 | 30,300 | 1.00 | 3.70 | 27,500 | 1.00 | 4.07 | 24,900 | 1.00 | 4.05 |
| MHP4-10-181P | 85/72 | 21,700 | .63 | 1.30 | 19,800 | .68 | 1.54 | 18,300 | .72 | 1.72 | 17,300 | .75 | 1.91 | 16,300 | .77 | 1.92 |
| | 80/67 | 20,100 | .72 | 1.29 | 18,900 | .75 | 1.50 | 17,000 | .80 | 1.70 | 16,100 | .83 | 1.86 | 14,300 | .88 | 1.87 |
| | 75/63 | 19,000 | .75 | 1.28 | 17,200 | .80 | 1.50 | 15,700 | .84 | 1.67 | 14,400 | .88 | 1.85 | 13,000 | .91 | 1.84 |
| | 75/57 | 17,500 | 1.00 | 1.26 | 16,200 | 1.00 | 1.49 | 15,100 | 1.00 | 1.67 | 13,900 | 1.00 | 1.84 | 12,700 | 1.00 | 1.83 |
| MHP4-10-241P | 85/72 | 30,700 | .61 | 1.69 | 27,300 | .65 | 1.99 | 24,700 | .68 | 2.22 | 23,000 | .70 | 2.45 | 21,400 | .71 | 2.46 |
| | 80/67 | 28,000 | .67 | 1.68 | 24,800 | .71 | 1.96 | 23,000 | .73 | 2.21 | 21,900 | .75 | 2.40 | 19,100 | .80 | 2.46 |
| | 75/63 | 25,200 | .72 | 1.67 | 22,500 | .76 | 1.96 | 20,600 | .79 | 2.18 | 18,900 | .82 | 2.42 | 17,200 | .84 | 2.46 |
| | 75/57 | 24,400 | 1.00 | 1.65 | 22,100 | 1.00 | 1.94 | 20,400 | 1.00 | 2.17 | 18,600 | 1.00 | 2.39 | 16,900 | 1.00 | 2.41 |
| MHP4-10-30P | 85/72 | 37,100 | .61 | 2.14 | 32,900 | .64 | 2.49 | 31,200 | .66 | 2.76 | 28,700 | .67 | 3.04 | 26,200 | .67 | 3.04 |
| | 80/67 | 32,900 | .69 | 2.12 | 30,500 | .71 | 2.44 | 28,000 | .75 | 2.75 | 26,800 | .77 | 3.00 | 24,000 | .78 | 3.04 |
| | 75/63 | 31,000 | .72 | 2.10 | 28,300 | .75 | 2.45 | 26,200 | .78 | 2.72 | 24,300 | .81 | 2.99 | 22,500 | .83 | 3.00 |
| | 75/57 | 28,600 | 1.00 | 2.08 | 26,500 | 1.00 | 2.43 | 24,900 | 1.00 | 2.70 | 23,100 | 1.00 | 2.97 | 21,400 | 1.00 | 2.98 |

ACCESSORIES

| Description | Kit Number | Where Used |
|--|-------------------|--|
| Polypropylene Louver Kit (White) | ALVRPWHT-1 | MHP4-09 (12,18,24,30) / MHP4-10 (18,24) |
| Polypropylene Louver Kit (White) | ALVRPWHT-2 | MHP4-09-36 / MHP4-10-30 |
| Polypropylene Louver Kit (Sandstone) | ALVRPSAN-1 | MHP4-09 (12,18,24,30) / MHP4-10 (18,24) |
| Polypropylene Louver Kit (Sandstone) | ALVRPSAN-2 | MHP4-09-36 / MHP4-10-30 |
| Polypropylene Louver Kit (Beige) | ALVRPBGE-1 | MHP4-09 (12,18,24,30) / MHP4-10 (18,24) |
| Polypropylene Louver Kit (Beige) | ALVRPBGE-2 | MHP4-09-36 / MHP4-10-30 |
| Polypropylene Louver Kit (Taupestone) | ALVRPTST-1 | MHP4-09 (12,18,24,30) / MHP4-10 (18,24) |
| Polypropylene Louver Kit (Taupestone) | ALVRPTST-2 | MHP4-09-36 / MHP4-10-30 |
| Extruded Aluminum Louver Kit | ALVRAL-1 | MHP4-09 (12,18,24,30) / MHP4-10 (18,24) |
| Extruded Aluminum Louver Kit | ALVRAL-2 | MHP4-09-36 / MHP4-10-30 |
| Extruded Aluminum Louver Kit (45" height louver) | ALVRAL-3 | MHP4-09 (12,18,24,30) / MHP4-10 (18,24) |
| Extruded Aluminum Louver Kit (45" height louver) | ALVRAL-4 | MHP4-09-36 / MHP4-10-30 |
| Wall Sleeve Kit (45" Louver) | ASLEEVE-3* | MHP4-09 (12,18) |
| 2" Wall Sleeve Kit | ASLEEVE2-1 | MHP4-09 (12,18,24,30) / MHP4-10 (18,24) |
| 2" Wall Sleeve Kit | ASLEEVE2-2 | MHP4-09-36 / MHP4-10-30 |
| 6" Wall Sleeve Kit | ASLEEVE6-1 | MHP4-09 (12,18,24,30) / MHP4-10 (18,24) |
| 6" Wall Sleeve Kit | ASLEEVE6-2 | MHP4-09-36 / MHP4-10-30 |
| 8" Wall Sleeve Kit | ASLEEVE8-1 | MHP4-09 (12,18,24,30) / MHP4-10 (18,24) |
| 8" Wall Sleeve Kit | ASLEEVE8-2 | MHP4-09-36 / MHP4-10-30 |
| 12" Wall Sleeve Kit | ASLEEVE12-1 | MHP4-09 (12,18,24,30) / MHP4-10 (18,24) |
| 12" Wall Sleeve Kit | ASLEEVE12-2 | MHP4-09-36 / MHP4-10-30 |
| 6" Wall Sleeve for 45" Louver | ASLEEVE6-3 | MHP4-09 (12,18,24,30) / MHP4-10 (18,24) |
| 6" Wall Sleeve for 45" Louver | ASLEEVE8-3 | MHP4-09 (12,18,24,30) / MHP4-10 (18,24) |
| 12" Wall Sleeve for 45" Louver | ASLEEVE12-3 | MHP4-09 (12,18,24,30) / MHP4-10 (18,24) |
| 6" Wall Sleeve for 45" Louver | ASLEEVE6-4 | MHP4-09-36 / MHP4-10-30 |
| 8" Wall Sleeve for 45" Louver | ASLEEVE8-4 | MHP4-09-36 / MHP4-10-30 |
| 12" Wall Sleeve for 45" Louver | ASLEEVE12-4 | MHP4-09-36 / MHP4-10-30 |
| Threaded PVC Nipple | AADAPTVC-1 | All MHP's |
| Outdoor Coil Filter | AFILTMP-1 | All MHP's |
| Wall Sleeve Extension Kit | ASLEEVEEXT4-1,4-2 | ASLEEVE Wall Kits (only with 1 & 2, cannot use with 3 & 4) |

*Thru the wall applications only.

ACCESSORIES DIMENSIONS (IN.)



ACCESSORIES

| Kit Number | A | B | C | D |
|-------------|----|--------|--------|--------|
| ASLEEVE2-1 | 2 | 29 | 29-1/8 | 29-1/8 |
| ASLEEVE2-2 | 2 | 32-3/4 | 32-7/8 | 29-1/8 |
| ASLEEVE6-1 | 6 | 29 | 29-1/8 | 29-1/8 |
| ASLEEVE6-2 | 6 | 32-3/4 | 32-7/8 | 29-1/8 |
| ASLEEVE6-3 | 6 | 45 | 45-1/8 | 29-1/8 |
| ASLEEVE6-4 | | | | |
| ASLEEVE8-1 | 8 | 29 | 29-1/8 | 29-1/8 |
| ASLEEVE8-2 | 8 | 32-3/4 | 32-7/8 | 29-1/8 |
| ASLEEVE8-3 | 8 | 45 | 45-1/8 | 29-1/8 |
| ASLEEVE8-4 | | | | |
| ASLEEVE10-1 | 10 | 29 | 29-1/8 | 29-1/8 |
| ASLEEVE10-2 | 10 | 32-3/4 | 32-7/8 | 29-1/8 |
| ASLEEVE10-3 | 10 | 45 | 45-1/8 | 29-1/8 |
| ASLEEVE10-4 | | | | |
| ASLEEVE12-1 | 12 | 29 | 29-1/8 | 29-1/8 |
| ASLEEVE12-2 | 12 | 32-3/4 | 32-7/8 | 29-1/8 |
| ASLEEVE12-3 | 12 | 45 | 45-1/8 | 29-1/8 |
| ASLEEVE12-4 | | | | |
| ASLEEVE-3 | * | 45 | 45-1/8 | 29-1/8 |

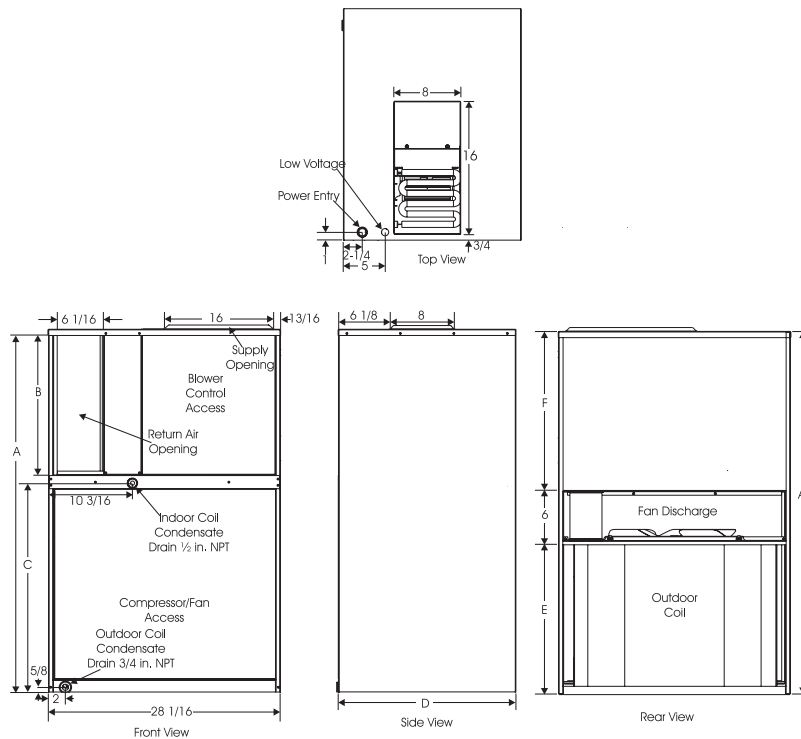
*45" wall opening installations only. 6" wall depth or less. Cannot use with MGE's

DIMENSIONS (IN.)

| Model | A | B | C | D | E | F |
|--------------|----------|----------|---------|--------|--------|---------|
| MHP4-09-121P | 43-7/8 | 16-7/8 | 25-5/16 | 21-1/2 | 18-5/8 | 19-1/4 |
| MHP4-09-181P | | | | | | |
| MHP4-09-241P | 47-13/16 | 18-15/16 | 27-1/8 | 24-3/8 | 20-5/8 | 21-3/16 |
| MHP4-09-301P | | | | | | |
| MHP4-09-361P | 55-13/16 | 22-13/16 | 31-1/8 | 24-3/8 | 24-3/4 | 25-1/16 |
| MHP4-10-181P | 47-13/16 | 18-15/16 | 27-1/8 | 24-3/8 | 20-5/8 | 21-3/16 |
| MHP4-10-241P | | | | | | |
| MHP4-10-301P | 55-13/16 | 22-13/16 | 31-1/8 | 24-3/8 | 24-3/4 | 25-1/16 |

SOUND RATINGS

| Model | Sound Rating dBA |
|-------------|------------------|
| MHP4-09-121 | 72 |
| MHP4-09-181 | |
| MHP4-09-241 | 76 |
| MHP4-09-301 | 76 |
| MHP4-09-361 | |
| MHP4-10-181 | 74 |
| MHP4-10-241 | 76 |
| MHP4-10-301 | 76 |



215 Metropolitan Drive | West Columbia, SC 29170
 800-448-5872
 Product Support 866-282-7257

All specifications and illustrations subject to change without notice and without incurring obligations.