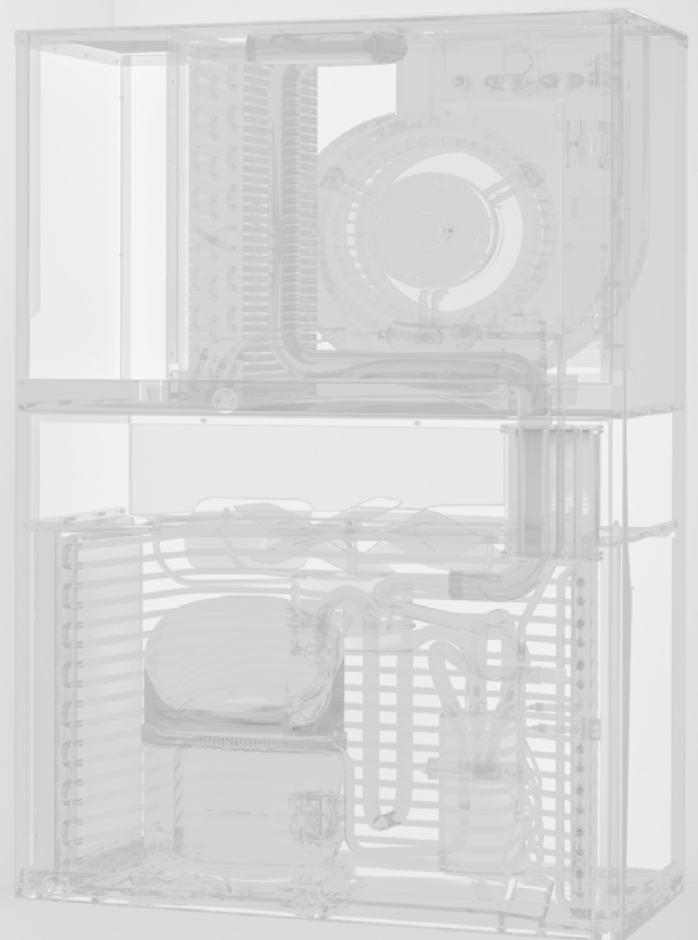




M-SERIES™

HEATING AND COOLING DESIGNED
FOR EVERY STAGE OF DEVELOPMENT.



MAGIC-PAK® MAKES DEVELOPMENT EASIER WITH SEAMLESS INTEGRATION AT EVERY STEP.

Magic-Pak heating and cooling units are an ideal solution for multi-unit construction, delivering benefits at every stage of a building's design, construction and ownership.



A R C H I T E C T S

Maintaining the design.

Magic-Pak can ensure that an architect's vision remains the same from concept to completion. Magic-Pak preserves the clean, uncluttered exterior of the building, while the lack of multiple condensing units preserves open space on the ground. Customizable exterior louvers can further extend creative possibilities without compromising the building's form, space or ambiance.



M E C H A N I C A L E N G I N E E R S

Simplifying specification.

Magic Pak's all-in-one design means engineers no longer need to specify many of the other parts that come along with traditional split system heating and cooling solutions. Chaseways aren't needed, nor are basepads, external utility connections, disconnects or allowances for refrigerant lines. Magic Pak offers consistency from room to room and floor to floor, so specification is the same and installation time is shortened.



P R O P E R T Y D E V E L O P E R S

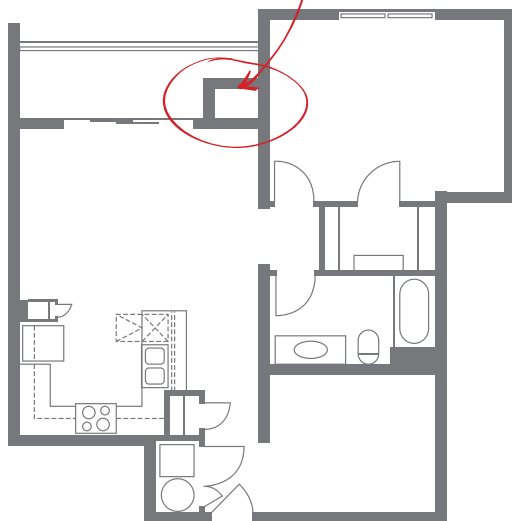
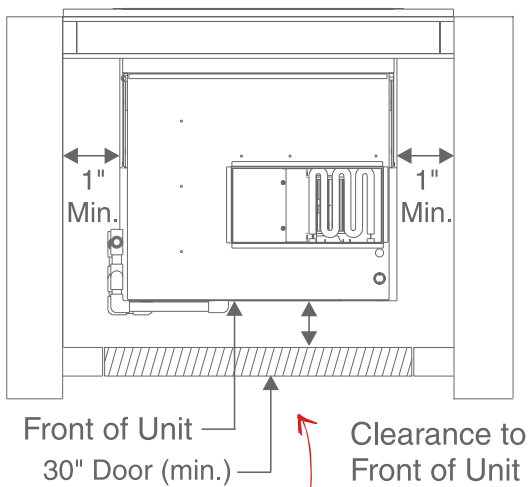
Lowering cost of ownership.

Magic-Pak can help keep costs down during construction with easy, consistent installation. Magic-Pak units can offer up to \$480 savings per unit in up-front costs versus some traditional split systems.* They also keep ownership costs down during their entire lifespan with simplified access and damage protection from outdoor elements.

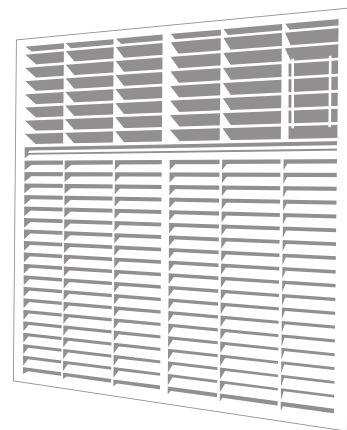
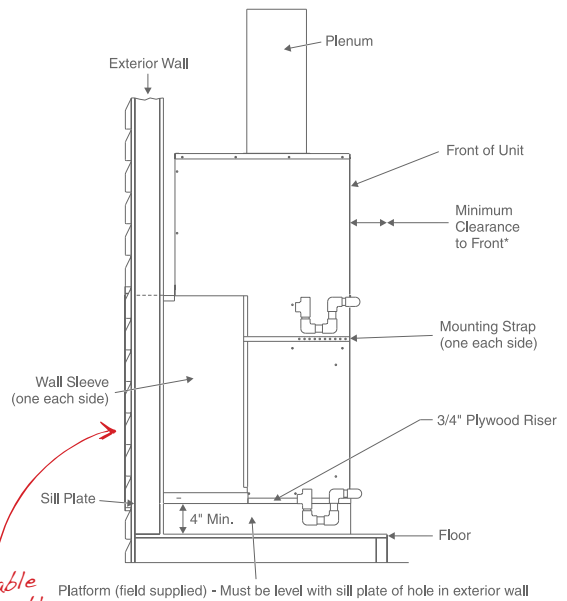
*Comparison is based on a Magic-Pak unit versus a traditional split system with like heating and cooling capacity and efficiency. "Savings" applies to the final installed cost of the system and is an estimate only. Several factors can influence actual savings, including local labor rates, building codes, material and other associated costs. Allied Air Enterprises makes no warranties of any kind, expressed or implied, on the accuracy of the comparison and savings.

CONVENIENCE, SIMPLICITY AND CUSTOMIZATION. ALL IN ONE.

Magic-Pak units are ideal for apartments, condominiums and other multiple occupancy buildings. They are the perfect combination of reliable performance and beautiful design, making Magic-Pak the clear choice for any project.



*Customizable
louvers available
in any color.*



Made to work, designed to fit.

- Small footprint minimizes space requirements
- Minimal wall opening reduces building penetration for external louvers
- Customizable louver and wall sleeve options offer design flexibility
- Individual metering and control for each unit
- Fully ducted system

INSIDE MAGIC-PAK®

M-Series™

- Available in 1-, 1.5-, 2-, 2.5- and 3-ton capacities
- Easy plug-and-play-like install and service
- Pre-wired and pre-charged
- Up to 10.0 EER and 80% TE
- Optional stainless steel and low-NOx units available
- 5-year limited warranty on parts
- 10-year warranty on aluminized heat exchanger
- 20-year warranty on stainless steel heat exchanger



ELECTRIC/ELECTRIC

Electric kW range of 3-10 kW and BTUH cooling range of 12,000-35,000



GAS/ELECTRIC

Available in 36,000, 48,000 and 60,000 BTUH



ELECTRIC HEAT PUMP

A COP of 3.0, BTUH cooling range of 12,000-34,800 and BTUH heating range of 11,000-34,600

