



V-SERIES™

EWC

FORM NO. EWC-100 (07/2015)

FEATURES

- Standard and High Efficiency cooling
- Completely self-contained heating and cooling package
 - Microban® Anti-microbial drain pan
 - No outside condensing unit
 - No external refrigerant lines
 - No separate cooling coil
- Pre-wired and pre-charged
- Individually metered and controlled
- Slide-out cooling chassis

REFRIGERANT SYSTEM

- High efficiency compressor
- Copper tubing with enhanced fin coils

BLOWER

- Multispeed motor for wide airflow range
- ECM blower motor in high efficiency units, PSC blower motor in standard efficiency models
- Dynamically balanced blower with resilient motor mounts for smooth and quiet operation
- Internal filter, optional MERV8

CONTROLS

- Color coded wiring for easy service

INSTALLATION

- Plug & Play like features

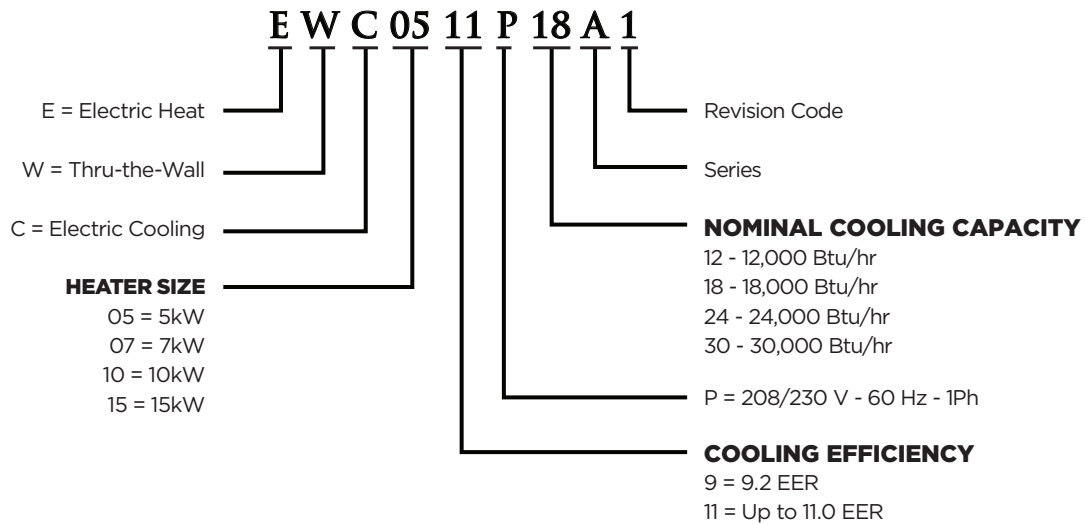
WARRANTY

- 5 year limited warranty on all parts

**EWC MODEL UNITS
ELECTRIC HEATING / ELECTRIC COOLING
PACKAGED UNITS**



MODEL NUMBER GUIDE



ELECTRICAL AND PHYSICAL DATA

Model No.	Voltage/Hz/Phase	Voltage Range				Min. Ckt. Ampacity				Maximum Fuse Size				Compressor		Outside Fan			Indoor Blower			R410A CHARGE
		CKT1		CKT2		CKT1		CKT2		Rated Load Amps	Locked Rotor Amps	Dia	Nominal RPM	Rated Load Amps	HP	Wheel Dia x Width	Rated Load Amps	HP				
		208V	240V	208V	240V	208V	240V	208V	240V													
EWC0509P12A1	208-230/60/1	197-253	23.3	26.6	N/A	N/A	25	30	N/A	N/A	4.9	27.0	18.0	1075	0.9	1/8	10 x 4.5	1.3	1/6	43		
EWC0709P12A1			34.1	39.1	N/A	N/A	35	40	N/A	N/A	4.9	27.0						1.3		43		
EWC0509P18A1			24.2	27.5	N/A	N/A	25	30	N/A	N/A	6.7	37.5						2	1/3	51		
EWC0709P18A1			35.0	40.0	N/A	N/A	35	45	N/A	N/A	6.7	37.5						2		51		
EWC1009P18A1			45.8	52.5	N/A	N/A	50	60	N/A	N/A	6.7	37.5						2	51			
EWC1009P24A1			45.8	52.5	N/A	N/A	50	60	N/A	N/A	8.5	38.0						2	1/4	56		
EWC1509P24A1			24.2	27.5	45.8	53.1	25	30	50	60	8.5	38.0						2		56		
EWC1009P30A1			46.5	53.1	N/A	N/A	50	60	N/A	N/A	13.1	74.0						2.5	1/2	63		
EWC1509P30A1			24.8	28.1	46.5	53.1	25	30	50	60	13.1	74.0						2.5		63		
EWC0511P12A1			22.3	25.6	N/A	N/A	25	30	N/A	N/A	4.9	27.0						0.9	1/8	0.5	49	
EWC0711P12A1			33.1	38.1	N/A	N/A	35	40	N/A	N/A	4.9	27.0						0.9		0.5	49	
EWC0511P18A1			23.2	26.5	N/A	N/A	25	30	N/A	N/A	6.7	37.5						1.2	1/4	1.2	54	
EWC0711P18A1			34.0	39.0	N/A	N/A	35	40	N/A	N/A	6.7	37.5						1.2		54		
EWC1011P18A1			44.8	51.5	N/A	N/A	45	60	N/A	N/A	6.7	37.5						1.2	54			
EWC1011P24A1			46.6	53.3	N/A	N/A	50	60	N/A	N/A	8.5	38.0						2.6	66			
EWC1511P24A1			24.9	28.3	46.6	53.1	25	30	50	60	8.5	38.0						2.6	66			

PERFORMANCE

Model	Cooling				Heating			
	Btuh	EER	S/T	CFM	240V		208V	
					kW/Hr	Btu/Hr	kW/Hr	Btu/Hr
EWC0509P12A1	11,800	9.2	0.72	400	4.8	16,300	3.6	12,300
EWC0709P12A1					7.2	24,600	5.4	18,400
EWC0509P18A1	17,000	9.2	0.75	625	4.8	16,300	3.6	12,300
EWC0709P18A1					7.2	24,600	5.4	18,400
EWC1009P18A1					9.6	32,700	7.2	24,600
EWC1009P24A1	22,000	9.2	0.74	825	9.6	32,700	7.2	24,600
EWC1509P24A1					14.4	49,100	10.8	36,900
EWC1009P30A1	27,600	9.2	0.68	800	9.6	32,700	7.2	24,600
EWC1509P30A1					14.4	49,100	10.8	36,900
EWC0511P12A1	11,800	11.0	0.70	400	4.8	16,300	3.6	12,300
EWC0711P12A1					7.2	24,600	5.4	18,400
EWC0511P18A1	17,400	11.0	0.74	600	4.8	16,300	3.6	12,300
EWC0711P18A1					7.2	24,600	5.4	18,400
EWC1011P18A1					9.6	32,700	7.2	24,600
EWC1011P24A1	22,000	10.0	0.73	800	9.6	32,700	7.2	24,600
EWC1511P24A1					14.4	49,100	10.8	36,900

OUTDOOR SOUND RATINGS

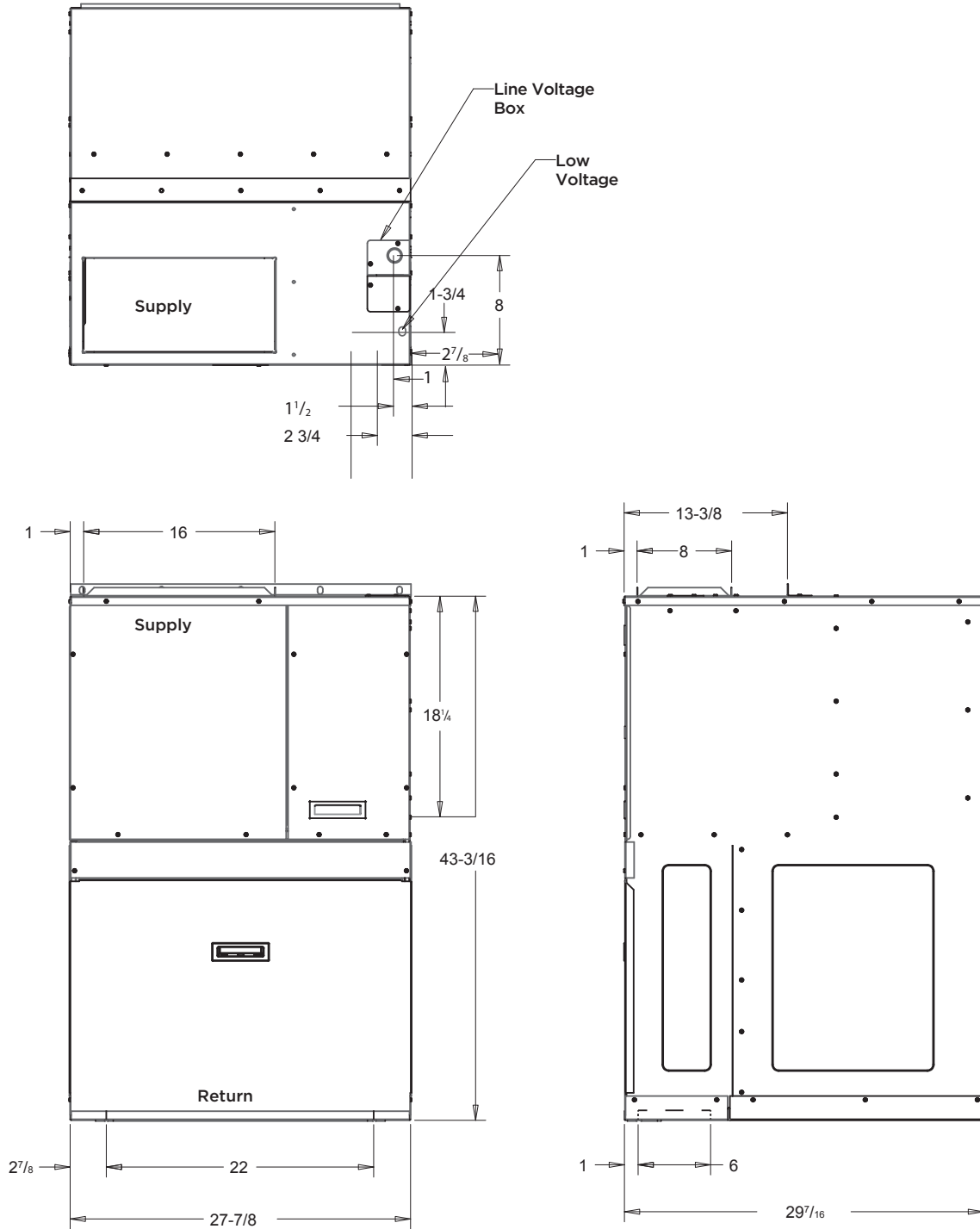
Model	Sound Rating (dBA)
EWC0509P12A1	76
EWC0709P12A1	
EWC0509P18A1	76
EWC0709P18A1	
EWC1009P18A1	
EWC1009P24A1	80
EWC1509P24A1	
EWC1009P30A1	80
EWC1509P30A1	
EWC0511P12A1	76
EWC0711P12A1	
EWC0511P18A1	80
EWC0711P18A1	
EWC1011P18A1	
EWC1011P24A1	80
EWC1511P24A1	

ACCESSORIES

Description	Kit Number	Where Used
Wall Sleeve	CA-239	All EWC4's
Decorative External Louver	ALVR42-1	
Chassis Adapter Kit	ADAPT490	
Wall Sleeve Adapter Kit	A242	
Low Ambient Kit	ALOAMB505-1	
MERV8 Filter	VSM8-1	

ZONING

Description	Kit Number	Where Used
Damper Rd Plugin 12V	RDP-8	All EWC4's
	RDP-9	
	RDP-10	
	RDP-12	
2 Zone Control Panel	MMPZ	
Static Bypass	SP2	
Wireless Thermostat & Receiver	WTR	



215 Metropolitan Drive | West Columbia, SC 29170
 800-448-5872
 Product Support 866-282-7257

All specifications and illustrations subject to change without notice and without incurring obligations.