



VALUE SERIES AIR CONDITIONERS



Features

- Outdoor air conditioner designed for ground level or rooftop installations. These units offer comfort and dependability for single, multi-family and light commercial applications.
- Painted louvered steel cabinet
- Easily accessible control box
- Condenser coils constructed with copper tubing and enhanced aluminum fins.
- Grille/Motor mount for quiet fan operation
- Filter Drier (shipped – not installed)

Applications

Outdoor condensing unit designed for ground level or rooftop installations. These units offer comfort and dependability for single, multi-family and light commercial applications.

13A(-)N SERIES
Efficiencies up to 14.5 SEER/12 EER

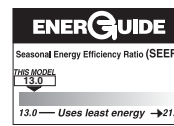


TABLE OF CONTENTS

Model Features	3
Model Number Identification	4
Accessories.....	4
Scroll Compressor	4
Performance Data	5-48
Electrical & Physical Data	49
Unit Dimensions.....	50
Refrigerant Line Size Information	51
Limited Warranty	52

Model Features:

- Outdoor condensing unit designed for ground level or rooftop installations. These units offer comfort and dependability for single, multi-family and light commercial applications.
- Painted louvered steel cabinet
- Easily accessible control box
- Condenser coils constructed with copper tubing and enhanced aluminum fins
- Grille/Motor mount for quiet fan operation
- Filter Drier (shipped – not installed)

Model Number Identification

13	A	*	N	18	A	01
13 SEER	A = AIR CONDITIONER	<u>VOLTAGE</u>	<u>DESIGN SERIES</u>	<u>NOMINAL COOLING CAPACITY</u>	<u>CABINET</u>	WeatherKing
		J = 208-230 SINGLE PHASE C = 200/230V-3-60 D = 460V-3-60 Y = 575V-3-60	N = 3RD DESIGN R-410A	18 = 18,000 BTU/HR [5.28 kW] 24 = 24,000 BTU/HR [7.03 kW] 30 = 30,000 BTU/HR [8.79 kW] 36 = 36,000 BTU/HR [10.55 kW] 42 = 42,000 BTU/HR [12.31 kW] 48 = 48,000 BTU/HR [14.07 kW] 60 = 60,000 BTU/HR [17.58 kW]	A = FULL METAL JACKET	

Accessories

- Low Pressure Control (RXAC-A07)
- High Pressure Control (RXAB-A07)
- Low Ambient Control (RXAD-A08)
- Compressor Time Delay Control
- Crankcase Heater
- Sound Enclosure

Scroll® Compressor

The reliable scroll compressor is the key to efficiency for this WeatherKing model. It's the latest in high-efficiency compressor technology. The advanced scroll compressor offers low noise and vibration characteristics and features tolerance to liquid refrigerant and system contamination. The scroll compressor also has low start torque, reducing start problems in the field. And its unique design enables air conditioners to perform efficiently and quietly.

[] Designates Metric Conversions



Performance Data @ AHRI Standard Conditions—Cooling

Model Numbers		80°F [26.5°C] DB/67°F [19.5°C] WB Indoor Air 95°F [35°C] DB Outdoor Air					Sound Rating dB	Indoor CFM [L/s]
Outdoor Unit 13A*N	Indoor Coil and/or Air Handler	Total Capacity BTU/H [kW]	Net Sensible BTU/H [kW]	Net Latent BTU/H [kW]	EER	SEER		
Rev. 9/3/14	RCFL-H*2417(RGJF-07?MCK?)	18,000 [5.3]	13,400 [3.9]	4,600 [1.3]	12.00	14.50	72	575 [271]
	RCFL-H*2417(RGLE-07?AMK?)	18,000 [5.3]	13,400 [3.9]	4,600 [1.3]	12.00	14.50	72	600 [283]
	RCFL-H*2417(RGLT-07?AMK?)	18,400 [5.4]	13,900 [4.1]	4,500 [1.3]	12.00	14.50	72	675 [319]
	RCFL-H*2417(RGPE-05?BMK?)	18,000 [5.3]	13,400 [3.9]	4,600 [1.3]	12.00	14.50	72	575 [271]
	RCFL-H*2417(RGPE-07?AMK?)	18,000 [5.3]	13,400 [3.9]	4,600 [1.3]	12.00	14.50	72	625 [295]
	RCFL-H*2417(RGPT-05?BMK?)	18,200 [5.3]	13,700 [4.0]	4,500 [1.3]	12.00	14.50	72	650 [307]
	RCFL-H*2417(RGPT-07?AMK?)	18,000 [5.3]	13,400 [3.9]	4,600 [1.3]	12.00	14.50	72	625 [295]
	RCFL-H*2417(RGRM-04?MAE?)	17,900 [5.2]	13,300 [3.9]	4,600 [1.3]	12.00	14.50	72	575 [271]
	RCFL-H*2417(RGRM-06?MAE?)	18,000 [5.3]	13,300 [3.9]	4,700 [1.4]	12.00	14.50	72	600 [283]
	RCFL-H*2417(RGRM-07?MAE?)	17,900 [5.2]	13,300 [3.9]	4,600 [1.3]	11.50	14.00	72	625 [295]
	RCFL-H*2417(RGTM-06?MAE?)	17,900 [5.2]	13,300 [3.9]	4,600 [1.3]	12.00	14.50	72	625 [295]
	RCFL-H*2417(ROCA-070E03)	18,000 [5.3]	13,400 [3.9]	4,600 [1.3]	12.00	14.50	72	600 [283]
	RCFL-H*2417(ROCA-070E04)	18,200 [5.3]	13,700 [4.0]	4,500 [1.3]	12.00	14.50	72	600 [283]
	RCFL-H*2417(ROLA-070E03)	17,900 [5.2]	13,300 [3.9]	4,600 [1.3]	12.00	14.50	72	600 [283]
	RCFL-H*2514+RXMD-C04	17,500 [5.1]	14,300 [4.2]	3,200 [0.9]	11.00	13.00	72	600 [283]
	RCFL-H*2617	18,100 [5.3]	14,400 [4.2]	3,700 [1.1]	11.00	13.00	72	600 [283]
	RCFL-H*2617(R95TA0401317MSA)	18,700 [5.5]	14,100 [4.1]	4,600 [1.3]	12.00	14.50	72	650 [307]
	RCFL-H*2617(R96VA0602317MSA)	18,100 [5.3]	13,300 [3.9]	4,800 [1.4]	12.00	14.50	72	525 [248]
	RCFL-H*2617(U96VA0602317MSA)	18,100 [5.3]	13,300 [3.9]	4,800 [1.4]	12.00	14.50	72	525 [248]
	RCFL-H*2617(U96VA0702317MSA)	18,700 [5.5]	14,100 [4.1]	4,600 [1.3]	12.50	15.10	72	650 [307]
	RCFL-H*2617(R96VA0702317MSA)	18,700 [5.5]	14,100 [4.1]	4,600 [1.3]	12.50	15.10	72	650 [307]
	RCFL-H*2617(RGFE-06?MCK?)	18,500 [5.4]	13,700 [4.0]	4,800 [1.4]	12.00	14.50	72	575 [271]
	RCFL-H*2617(RGFE-07?MCK?)	18,500 [5.4]	13,800 [4.0]	4,700 [1.4]	12.00	14.50	72	600 [283]
	RCFL-H*2617(RGFG-06EMCKKS)	18,500 [5.4]	13,700 [4.0]	4,800 [1.4]	12.00	14.50	72	575 [271]
	RCFL-H*2617(RGFG-06NMCKKS)	18,500 [5.4]	13,700 [4.0]	4,800 [1.4]	12.00	14.50	72	575 [271]
	RCFL-H*2617(RGFG-07EMCKKS)	18,800 [5.5]	14,200 [4.2]	4,600 [1.3]	12.00	14.50	72	650 [307]
	RCFL-H*2617(RGFG-07NMCKKS)	18,800 [5.5]	14,200 [4.2]	4,600 [1.3]	12.00	14.50	72	650 [307]
	RCFL-H*2617(RGGE-06?MCK?)	18,500 [5.4]	13,800 [4.0]	4,700 [1.4]	12.00	14.50	72	625 [295]
	RCFL-H*2617(RGGE-07?MCK?)	18,500 [5.4]	13,700 [4.0]	4,800 [1.4]	12.00	14.50	72	575 [271]
	RCFL-H*2617(RGJF-06?MCK?)	18,500 [5.4]	13,800 [4.0]	4,700 [1.4]	12.00	14.50	72	625 [295]
	RCFL-H*2617(RGJF-07?MCK?)	18,500 [5.4]	13,700 [4.0]	4,800 [1.4]	12.00	14.50	72	575 [271]
	RCFL-H*2617(RGLE-07?AMK?)	18,600 [5.4]	13,900 [4.1]	4,700 [1.4]	12.00	14.50	72	600 [283]
	RCFL-H*2617(RGPE-05?BMK?)	18,500 [5.4]	13,700 [4.0]	4,800 [1.4]	12.00	14.50	72	575 [271]
	RCFL-H*2617(RGPE-07?AMK?)	18,500 [5.4]	13,800 [4.0]	4,700 [1.4]	12.00	14.50	72	625 [295]
	RCFL-H*2617(RGPT-05?BMK?)	18,700 [5.5]	14,100 [4.1]	4,600 [1.3]	12.00	14.50	72	650 [307]
	RCFL-H*2617(RGPT-07?AMK?)	18,500 [5.4]	13,800 [4.0]	4,700 [1.4]	12.00	14.50	72	625 [295]
	RCFL-H*2617(RGRM-04?MAE?)	18,500 [5.4]	13,700 [4.0]	4,800 [1.4]	12.00	14.50	72	575 [271]
	RCFL-H*2617(RGRM-06?MAE?)	18,500 [5.4]	13,800 [4.0]	4,700 [1.4]	12.00	14.50	72	600 [283]
	RCFL-H*2617(RGRM-07?MAE?)	18,400 [5.4]	13,700 [4.0]	4,700 [1.4]	12.00	14.50	72	625 [295]
	RCFL-H*2617(RGTM-06?MAE?)	18,600 [5.4]	13,800 [4.0]	4,800 [1.4]	12.00	14.50	72	575 [271]
	RCFL-H*2617(ROCA-070E03)	18,600 [5.4]	13,900 [4.1]	4,700 [1.4]	12.00	14.50	72	600 [283]
	RCFL-H*2617(ROCA-070E04)	18,600 [5.4]	13,900 [4.1]	4,700 [1.4]	12.00	14.50	72	600 [283]
	RCFL-H*2617(ROLA-070E03)	18,500 [5.4]	13,800 [4.0]	4,700 [1.4]	12.00	14.50	72	600 [283]
	RCFL-H*2621	18,100 [5.3]	14,400 [4.2]	3,700 [1.1]	11.00	13.00	72	600 [283]
	RCFL-H*2621(R95TA0401317MSA)	18,700 [5.5]	14,100 [4.1]	4,600 [1.3]	12.00	14.50	72	650 [307]
	RCFL-H*2621(R96VA0602317MSA)	18,100 [5.3]	13,300 [3.9]	4,800 [1.4]	12.00	14.50	72	525 [248]
	RCFL-H*2621(U96VA0602317MSA)	18,100 [5.3]	13,300 [3.9]	4,800 [1.4]	12.00	14.50	72	525 [248]
	RCFL-H*2621(U96VA0702317MSA)	18,700 [5.5]	14,100 [4.1]	4,600 [1.3]	12.50	15.10	72	650 [307]
	RCFL-H*2621(R96VA0702317MSA)	18,700 [5.5]	14,100 [4.1]	4,600 [1.3]	12.50	15.10	72	650 [307]
	RCFL-H*2621(RGFE-06?MCK?)	18,500 [5.4]	13,700 [4.0]	4,800 [1.4]	12.00	14.50	72	575 [271]

① Highest sales volume tested combination required by D.O.E. test procedures.

[] Designates Metric Conversions

Performance Data @ AHRI Standard Conditions—Cooling

Model Numbers		80°F [26.5°C] DB/67°F [19.5°C] WB Indoor Air 95°F [35°C] DB Outdoor Air					Sound Rating dB	Indoor CFM [L/s]
Outdoor Unit 13A*N	Indoor Coil and/or Air Handler	Total Capacity BTU/H [kW]	Net Sensible BTU/H [kW]	Net Latent BTU/H [kW]	EER	SEER		
Rev. 9/3/14	RCFN-H*2417(RGPE-07?AMK?)	18,500 [5.4]	13,800 [4.0]	4,700 [1.4]	12.00	14.50	72	625 [295]
	RCFN-H*2417(RGPT-05?BMK?)	18,700 [5.5]	14,100 [4.1]	4,600 [1.3]	12.00	14.50	72	650 [307]
	RCFN-H*2417(RGPT-07?AMK?)	18,500 [5.4]	13,800 [4.0]	4,700 [1.4]	12.00	14.50	72	625 [295]
	RCFN-H*2417(RGRM-04?MAE?)	18,500 [5.4]	13,700 [4.0]	4,800 [1.4]	12.00	14.50	72	575 [271]
	RCFN-H*2417(RGRM-06?MAE?)	18,500 [5.4]	13,800 [4.0]	4,700 [1.4]	12.00	14.50	72	600 [283]
	RCFN-H*2417(RGRM-07?MAE?)	18,400 [5.4]	13,700 [4.0]	4,700 [1.4]	12.00	14.50	72	625 [295]
	RCFN-H*2417(RGTM-06?MAE?)	18,500 [5.4]	13,800 [4.0]	4,700 [1.4]	12.00	14.50	72	625 [295]
	RCFN-H*2417(ROCA-070E03)	18,600 [5.4]	13,900 [4.1]	4,700 [1.4]	12.00	14.50	72	600 [283]
	RCFN-H*2417(ROCA-070E04)	18,600 [5.4]	13,900 [4.1]	4,700 [1.4]	12.00	14.50	72	600 [283]
	RCFN-H*2417(ROLA-070E03)	18,500 [5.4]	13,800 [4.0]	4,700 [1.4]	12.00	14.50	72	600 [283]
	RCFN-H*2421	18,100 [5.3]	14,400 [4.2]	3,700 [1.1]	11.00	13.00	72	600 [283]
	RCFN-H*2421(R95TA0401317MSA)	18,700 [5.5]	14,100 [4.1]	4,600 [1.3]	12.00	14.50	72	650 [307]
	RCFN-H*2421(R96VA0602317MSA)	18,100 [5.3]	13,300 [3.9]	4,800 [1.4]	12.00	14.50	72	525 [248]
	RCFN-H*2421(U96VA0602317MSA)	18,100 [5.3]	13,300 [3.9]	4,800 [1.4]	12.00	14.50	72	525 [248]
	RCFN-H*2421(U96VA0702317MSA)	18,700 [5.5]	14,100 [4.1]	4,600 [1.3]	12.50	15.10	72	650 [307]
	RCFN-H*2421(R96VA0702317MSA)	18,700 [5.5]	14,100 [4.1]	4,600 [1.3]	12.50	15.10	72	650 [307]
	RCFN-H*2421(RGFE-06?MCK?)	18,500 [5.4]	13,700 [4.0]	4,800 [1.4]	12.00	14.50	72	575 [271]
	RCFN-H*2421(RGFE-07?MCK?)	18,500 [5.4]	13,800 [4.0]	4,700 [1.4]	12.00	14.50	72	600 [283]
	RCFN-H*2421(RGFE-09?ZCM?)	18,900 [5.5]	14,300 [4.2]	4,600 [1.3]	12.00	14.50	72	675 [319]
	RCFN-H*2421(RGFE-10?ZCM?)	18,500 [5.4]	13,800 [4.0]	4,700 [1.4]	12.00	14.50	72	600 [283]
	RCFN-H*2421(RGFG-06EMCKS)	18,500 [5.4]	13,700 [4.0]	4,800 [1.4]	12.00	14.50	72	575 [271]
	RCFN-H*2421(RGFG-06NMCKS)	18,500 [5.4]	13,700 [4.0]	4,800 [1.4]	12.00	14.50	72	575 [271]
	RCFN-H*2421(RGFG-07EMCKS)	18,800 [5.5]	14,200 [4.2]	4,600 [1.3]	12.00	14.50	72	650 [307]
	RCFN-H*2421(RGFG-07NMCKS)	18,800 [5.5]	14,200 [4.2]	4,600 [1.3]	12.00	14.50	72	650 [307]
	RCFN-H*2421(RGFG-09EZCMS)	18,900 [5.5]	14,300 [4.2]	4,600 [1.3]	12.00	14.50	72	675 [319]
	RCFN-H*2421(RGFG-09NZCMS)	18,900 [5.5]	14,300 [4.2]	4,600 [1.3]	12.00	14.50	72	675 [319]
	RCFN-H*2421(RGFG-10EZCMS)	18,500 [5.4]	13,800 [4.0]	4,700 [1.4]	12.00	14.50	72	600 [283]
	RCFN-H*2421(RGFG-10NZCMS)	18,500 [5.4]	13,800 [4.0]	4,700 [1.4]	12.00	14.50	72	600 [283]
	RCFN-H*2421(RGGE-06?MCK?)	18,500 [5.4]	13,800 [4.0]	4,700 [1.4]	12.00	14.50	72	625 [295]
	RCFN-H*2421(RGGE-07?MCK?)	18,500 [5.4]	13,700 [4.0]	4,800 [1.4]	12.00	14.50	72	575 [271]
	RCFN-H*2421(RGGE-09?ZCM?)	18,900 [5.5]	14,300 [4.2]	4,600 [1.3]	12.00	14.50	72	675 [319]
	RCFN-H*2421(RGGE-10?ZCM?)	18,900 [5.5]	14,300 [4.2]	4,600 [1.3]	12.00	14.50	72	675 [319]
	RCFN-H*2421(RGJF-06?MCK?)	18,500 [5.4]	13,800 [4.0]	4,700 [1.4]	12.00	14.50	72	625 [295]
	RCFN-H*2421(RGJF-07?MCK?)	18,500 [5.4]	13,700 [4.0]	4,800 [1.4]	12.00	14.50	72	575 [271]
	RCFN-H*2421(RGJF-09?ZCM?)	18,900 [5.5]	14,300 [4.2]	4,600 [1.3]	12.00	14.50	72	675 [319]
	RCFN-H*2421(RGJF-10?ZCM?)	18,900 [5.5]	14,300 [4.2]	4,600 [1.3]	12.00	14.50	72	675 [319]
	RCFN-H*2421(RGLE-07?AMK?)	18,600 [5.4]	13,900 [4.1]	4,700 [1.4]	12.00	14.50	72	600 [283]
	RCFN-H*2421(RGPE-05?BMK?)	18,500 [5.4]	13,700 [4.0]	4,800 [1.4]	12.00	14.50	72	575 [271]
	RCFN-H*2421(RGPE-07?AMK?)	18,500 [5.4]	13,800 [4.0]	4,700 [1.4]	12.00	14.50	72	625 [295]
	RCFN-H*2421(RGPT-05?BMK?)	18,700 [5.5]	14,100 [4.1]	4,600 [1.3]	12.00	14.50	72	650 [307]
RCFN-H*2421(RGPT-07?AMK?)	18,500 [5.4]	13,800 [4.0]	4,700 [1.4]	12.00	14.50	72	625 [295]	
RCFN-H*2421(RGRM-04?MAE?)	18,500 [5.4]	13,700 [4.0]	4,800 [1.4]	12.00	14.50	72	575 [271]	
RCFN-H*2421(RGRM-06?MAE?)	18,500 [5.4]	13,800 [4.0]	4,700 [1.4]	12.00	14.50	72	600 [283]	
RCFN-H*2421(RGRM-07?MAE?)	18,400 [5.4]	13,700 [4.0]	4,700 [1.4]	12.00	14.50	72	625 [295]	
RCFN-H*2421(RGTM-06?MAE?)	18,500 [5.4]	13,800 [4.0]	4,700 [1.4]	12.00	14.50	72	625 [295]	
RCFN-H*2421(ROCA-070E03)	18,600 [5.4]	13,900 [4.1]	4,700 [1.4]	12.00	14.50	72	600 [283]	
RCFN-H*2421(ROCA-070E04)	18,600 [5.4]	13,900 [4.1]	4,700 [1.4]	12.00	14.50	72	600 [283]	
RCFN-H*2421(ROCB-072E04)	18,400 [5.4]	13,700 [4.0]	4,700 [1.4]	12.00	14.50	72	600 [283]	
RCFN-H*2421(ROLA-070E03)	18,500 [5.4]	13,800 [4.0]	4,700 [1.4]	12.00	14.50	72	600 [283]	
RBHP-17(RCHL-24A2)	17,200 [5.0]	12,700 [3.7]	4,500 [1.3]	11.50	14.00	72	600 [283]	

① Highest sales volume tested combination required by D.O.E. test procedures.

[] Designates Metric Conversions

Performance Data @ AHRI Standard Conditions—Cooling

Model Numbers		80°F [26.5°C] DB/67°F [19.5°C] WB Indoor Air 95°F [35°C] DB Outdoor Air					Sound Rating dB	Indoor CFM [L/s]
Outdoor Unit 13A*N	Indoor Coil and/or Air Handler	Total Capacity BTU/H [kW]	Net Sensible BTU/H [kW]	Net Latent BTU/H [kW]	EER	SEER		
Rev. 9/3/14	RCFL-A*2417(RGLE-07?AMK?)	23,400 [6.9]	17,100 [5.0]	6,300 [1.8]	12.00	14.00	73	750 [354]
	RCFL-A*2417(RGLT-07?AMK?)	23,000 [6.7]	16,600 [4.9]	6,400 [1.9]	11.50	14.00	73	675 [319]
13AJN24	RCFL-A*2417(RGPE-05?BMK?)	23,400 [6.9]	17,100 [5.0]	6,300 [1.8]	12.00	14.00	73	750 [354]
	RCFL-A*2417(RGPE-07?AMK?)	23,600 [6.9]	17,550 [5.1]	6,050 [1.8]	11.50	14.00	73	825 [389]
	RCFL-A*2417(RGPT-05?BMK?)	23,600 [6.9]	17,900 [5.2]	5,700 [1.7]	11.50	13.50	73	850 [401]
	RCFL-A*2417(RGPT-07?AMK?)	23,800 [7.0]	17,900 [5.2]	5,900 [1.7]	11.50	14.00	73	850 [401]
	RCFL-A*2417(RGRM-04?MAE?)	23,400 [6.9]	17,400 [5.1]	6,000 [1.8]	11.50	13.50	73	800 [378]
	RCFL-A*2417(RGRM-06?MAE?)	23,400 [6.9]	17,400 [5.1]	6,000 [1.8]	11.50	13.50	73	825 [389]
	RCFL-A*2417(RGRM-07?MAE?)	23,400 [6.9]	17,700 [5.2]	5,700 [1.7]	11.50	13.00	73	850 [401]
	RCFL-A*2417(RGTM-06?MAE?)	23,400 [6.9]	17,200 [5.0]	6,200 [1.8]	11.50	14.00	73	750 [354]
	RCFL-A*2417(RHWB-04WMX36B)	23,600 [6.9]	17,700 [5.2]	5,900 [1.7]	11.50	14.00	73	825 [389]
	RCFL-A*2417(ROCA-070E03)	23,600 [6.9]	17,550 [5.1]	6,050 [1.8]	11.50	14.00	73	800 [378]
	RCFL-A*2417(ROCA-070E04)	23,600 [6.9]	17,550 [5.1]	6,050 [1.8]	11.50	14.00	73	800 [378]
	RCFL-A*2417(ROLA-070E03)	23,600 [6.9]	17,550 [5.1]	6,050 [1.8]	11.50	14.00	73	800 [378]
	RCFL-A*2417(ROLA-070E04)	23,200 [6.8]	16,950 [5.0]	6,250 [1.8]	11.50	14.00	73	725 [342]
	RCFL-A*2514	22,600 [6.6]	16,500 [4.8]	6,100 [1.8]	10.50	13.00	73	700 [330]
	RCFL-H*2417(R95TA0401317MSA)	23,600 [6.9]	17,800 [5.2]	5,800 [1.7]	11.50	14.00	73	825 [389]
	RCFL-H*2417(R95TA0601317MSA)	23,600 [6.9]	17,900 [5.2]	5,700 [1.7]	11.50	13.50	73	850 [401]
	RCFL-H*2417(R95TA0701317MSA)	23,400 [6.9]	17,500 [5.1]	5,900 [1.7]	11.50	13.50	73	800 [378]
	RCFL-H*2417(R96VA0602317MSA)	23,400 [6.9]	17,500 [5.1]	5,900 [1.7]	11.50	13.50	73	800 [378]
	RCFL-H*2417(U96VA0602317MSA)	23,400 [6.9]	17,500 [5.1]	5,900 [1.7]	11.50	13.50	73	800 [378]
	RCFL-H*2417(U96VA0702317MSA)	23,000 [6.7]	16,900 [5.0]	6,100 [1.8]	11.50	14.00	73	700 [330]
	RCFL-H*2417(R96VA0702317MSA)	23,000 [6.7]	16,900 [5.0]	6,100 [1.8]	11.50	14.00	73	700 [330]
	RCFL-H*2417(RGFE-06?MCK?)	23,400 [6.9]	17,500 [5.1]	5,900 [1.7]	11.50	13.50	73	800 [378]
	RCFL-H*2417(RGFE-07?MCK?)	23,200 [6.8]	17,100 [5.0]	6,100 [1.8]	11.50	13.50	73	725 [342]
	RCFL-H*2417(RGFG-06EMCKS)	23,200 [6.8]	16,900 [5.0]	6,300 [1.8]	11.50	14.00	73	725 [342]
	RCFL-H*2417(RGFG-06NMCKS)	23,200 [6.8]	16,900 [5.0]	6,300 [1.8]	11.50	14.00	73	725 [342]
	RCFL-H*2417(RGFG-07EMCKS)	23,400 [6.9]	17,500 [5.1]	5,900 [1.7]	11.50	13.50	73	800 [378]
	RCFL-H*2417(RGFG-07NMCKS)	23,400 [6.9]	17,500 [5.1]	5,900 [1.7]	11.50	13.50	73	800 [378]
	RCFL-H*2417(RGGE-06?MCK?)	23,600 [6.9]	17,550 [5.1]	6,050 [1.8]	11.50	14.00	73	825 [389]
	RCFL-H*2417(RGGE-07?MCK?)	23,200 [6.8]	17,200 [5.0]	6,000 [1.8]	11.50	14.00	73	750 [354]
	RCFL-H*2417(RGJF-06?MCK?)	23,600 [6.9]	17,550 [5.1]	6,050 [1.8]	11.50	14.00	73	825 [389]
	RCFL-H*2417(RGJF-07?MCK?)	23,600 [6.9]	17,550 [5.1]	6,050 [1.8]	11.50	14.00	73	800 [378]
	RCFL-H*2417(RGLE-07?AMK?)	23,400 [6.9]	17,100 [5.0]	6,300 [1.8]	12.00	14.00	73	750 [354]
	RCFL-H*2417(RGLT-07?AMK?)	23,000 [6.7]	16,600 [4.9]	6,400 [1.9]	11.50	14.00	73	675 [319]
	RCFL-H*2417(RGPE-05?BMK?)	23,400 [6.9]	17,500 [5.1]	5,900 [1.7]	11.50	14.00	73	800 [378]
	RCFL-H*2417(RGPE-07?AMK?)	23,600 [6.9]	17,550 [5.1]	6,050 [1.8]	11.50	14.00	73	825 [389]
	RCFL-H*2417(RGPT-05?BMK?)	23,600 [6.9]	17,900 [5.2]	5,700 [1.7]	11.50	13.50	73	850 [401]
	RCFL-H*2417(RGPT-07?AMK?)	23,800 [7.0]	17,900 [5.2]	5,900 [1.7]	11.50	14.00	73	850 [401]
	RCFL-H*2417(RGRM-04?MAE?)	23,400 [6.9]	17,400 [5.1]	6,000 [1.8]	11.50	13.50	73	800 [378]
	RCFL-H*2417(RGRM-06?MAE?)	23,400 [6.9]	17,400 [5.1]	6,000 [1.8]	11.50	13.50	73	825 [389]
	RCFL-H*2417(RGRM-07?MAE?)	23,400 [6.9]	17,700 [5.2]	5,700 [1.7]	11.50	13.00	73	850 [401]
RCFL-H*2417(RGTM-06?MAE?)	23,400 [6.9]	17,200 [5.0]	6,200 [1.8]	11.50	14.00	73	750 [354]	
RCFL-H*2417(RHWB-04WMX36B)	23,600 [6.9]	17,700 [5.2]	5,900 [1.7]	11.50	14.00	73	825 [389]	
RCFL-H*2417(ROCA-070E03)	23,600 [6.9]	17,550 [5.1]	6,050 [1.8]	11.50	14.00	73	800 [378]	
RCFL-H*2417(ROCA-070E04)	23,600 [6.9]	17,550 [5.1]	6,050 [1.8]	11.50	14.00	73	800 [378]	
RCFL-H*2417(ROLA-070E03)	23,600 [6.9]	17,550 [5.1]	6,050 [1.8]	11.50	14.00	73	800 [378]	
RCFL-H*2417(ROLA-070E04)	23,200 [6.8]	16,950 [5.0]	6,250 [1.8]	11.50	14.00	73	725 [342]	
RCFL-H*2514	22,600 [6.6]	16,500 [4.8]	6,100 [1.8]	10.50	13.00	73	700 [330]	
RCFL-H*2617	23,800 [7.0]	17,500 [5.1]	6,300 [1.8]	11.00	13.00	73	800 [378]	

① Highest sales volume tested combination required by D.O.E. test procedures.

[] Designates Metric Conversions

Performance Data @ AHRI Standard Conditions—Cooling

Model Numbers		80°F [26.5°C] DB/67°F [19.5°C] WB Indoor Air 95°F [35°C] DB Outdoor Air					Sound Rating dB	Indoor CFM [L/s]
Outdoor Unit 13A*N	Indoor Coil and/or Air Handler	Total Capacity BTU/H [kW]	Net Sensible BTU/H [kW]	Net Latent BTU/H [kW]	EER	SEER		
Rev. 9/3/14	RCFL-H*2621(RGFG-07NMCKS)	24,400 [7.1]	18,100 [5.3]	6,300 [1.8]	11.50	14.00	73	850 [401]
	RCFL-H*2621(RGFG-09EZCMS)	24,600 [7.2]	18,400 [5.4]	6,200 [1.8]	12.00	14.50	73	875 [413]
	RCFL-H*2621(RGFG-09NZCMS)	24,600 [7.2]	18,400 [5.4]	6,200 [1.8]	12.00	14.50	73	875 [413]
	RCFL-H*2621(RGFG-10EZCMS)	24,200 [7.1]	17,700 [5.2]	6,500 [1.9]	12.00	14.50	73	800 [378]
	RCFL-H*2621(RGFG-10NZCMS)	24,200 [7.1]	17,700 [5.2]	6,500 [1.9]	12.00	14.50	73	800 [378]
	RCFL-H*2621(RGGE-06?MCK?)	24,200 [7.1]	17,700 [5.2]	6,500 [1.9]	12.00	14.50	73	825 [389]
	RCFL-H*2621(RGGE-07?MCK?)	24,000 [7.0]	17,400 [5.1]	6,600 [1.9]	12.00	14.50	73	750 [354]
	RCFL-H*2621(RGGE-09?ZCM?)	24,400 [7.1]	17,800 [5.2]	6,600 [1.9]	12.00	14.50	73	775 [366]
	RCFL-H*2621(RGGE-10?ZCM?)	24,400 [7.1]	17,800 [5.2]	6,600 [1.9]	12.00	14.50	73	775 [366]
	RCFL-H*2621(RGJF-06?MCK?)	24,200 [7.1]	17,700 [5.2]	6,500 [1.9]	12.00	14.50	73	825 [389]
	RCFL-H*2621(RGJF-07?MCK?)	24,000 [7.0]	17,400 [5.1]	6,600 [1.9]	12.00	14.50	73	750 [354]
	RCFL-H*2621(RGJF-09?ZCM?)	24,400 [7.1]	17,800 [5.2]	6,600 [1.9]	12.00	14.50	73	775 [366]
	RCFL-H*2621(RGJF-10?ZCM?)	24,400 [7.1]	17,800 [5.2]	6,600 [1.9]	12.00	14.50	73	775 [366]
	RCFL-H*2621(RGLE-07?AMK?)	24,400 [7.1]	17,900 [5.2]	6,500 [1.9]	12.00	14.50	73	800 [378]
	RCFL-H*2621(RGLE-07?BRQ?)	24,400 [7.1]	17,800 [5.2]	6,600 [1.9]	12.00	14.50	73	775 [366]
	RCFL-H*2621(RGLE-10?BRM?)	24,800 [7.3]	18,600 [5.4]	6,200 [1.8]	12.00	14.50	73	875 [413]
	RCFL-H*2621(RGPE-05?BMK?)	24,200 [7.1]	17,700 [5.2]	6,500 [1.9]	12.00	14.50	73	800 [378]
	RCFL-H*2621(RGPE-07?AMK?)	24,200 [7.1]	17,700 [5.2]	6,500 [1.9]	12.00	14.50	73	825 [389]
	RCFL-H*2621(RGPE-07?BRQ?)	24,000 [7.0]	17,400 [5.1]	6,600 [1.9]	12.00	14.50	73	725 [342]
	RCFL-H*2621(RGPE-10?BRM?)	24,800 [7.3]	18,600 [5.4]	6,200 [1.8]	12.00	14.50	73	900 [425]
	RCFL-H*2621(RGPT-05?BMK?)	24,600 [7.2]	18,400 [5.4]	6,200 [1.8]	11.50	14.00	73	900 [425]
	RCFL-H*2621(RGRM-04?MAE?)	24,200 [7.1]	17,700 [5.2]	6,500 [1.9]	11.50	14.00	73	800 [378]
	RCFL-H*2621(RGRM-06?MAE?)	24,200 [7.1]	17,600 [5.2]	6,600 [1.9]	12.00	14.50	73	775 [366]
	RCFL-H*2621(RGRM-07?MAE?)	24,200 [7.1]	17,700 [5.2]	6,500 [1.9]	11.50	14.00	73	800 [378]
	RCFL-H*2621(RGRM-07?YBG?)	24,200 [7.1]	17,900 [5.2]	6,300 [1.8]	11.50	13.50	73	850 [401]
	RCFL-H*2621(RGRM-10?ZAJ?)	24,600 [7.2]	18,400 [5.4]	6,200 [1.8]	11.50	14.00	73	875 [413]
	RCFL-H*2621(RGTM-06?MAE?)	24,000 [7.0]	17,400 [5.1]	6,600 [1.9]	12.00	14.50	73	750 [354]
	RCFL-H*2621(RGTM-07?RBG?)	24,400 [7.1]	17,900 [5.2]	6,500 [1.9]	12.00	14.50	73	800 [378]
	RCFL-H*2621(RHWB-04WMX36B)	24,800 [7.3]	18,600 [5.4]	6,200 [1.8]	12.00	14.50	73	900 [425]
	RCFL-H*2621(ROCA-070E03)	24,400 [7.1]	17,900 [5.2]	6,500 [1.9]	12.00	14.50	73	800 [378]
	RCFL-H*2621(ROCA-070E04)	24,400 [7.1]	17,900 [5.2]	6,500 [1.9]	12.00	14.50	73	800 [378]
	RCFL-H*2621(ROCB-072E04)	24,200 [7.1]	17,700 [5.2]	6,500 [1.9]	11.50	14.00	73	800 [378]
	RCFL-H*2621(ROLA-070E03)	24,400 [7.1]	17,900 [5.2]	6,500 [1.9]	12.00	14.50	73	800 [378]
	RCFL-H*2621(ROLA-070E04)	24,000 [7.0]	17,400 [5.1]	6,600 [1.9]	12.00	14.50	73	725 [342]
	RCFL-H*2621(ROLA-115E05)	24,800 [7.3]	18,600 [5.4]	6,200 [1.8]	12.00	14.50	73	900 [425]
	RCFN-H*2417	23,800 [7.0]	17,500 [5.1]	6,300 [1.8]	11.00	13.00	73	800 [378]
	RCFN-H*2417(R95TA0401317MSA)	24,600 [7.2]	18,400 [5.4]	6,200 [1.8]	11.50	14.00	73	875 [413]
	RCFN-H*2417(R95TA0601317MSA)	24,400 [7.1]	18,100 [5.3]	6,300 [1.8]	11.50	14.00	73	850 [401]
	RCFN-H*2417(R95TA0701317MSA)	24,400 [7.1]	18,100 [5.3]	6,300 [1.8]	11.50	13.50	73	850 [401]
	RCFN-H*2417(R96VA0602317MSA)	24,200 [7.1]	17,700 [5.2]	6,500 [1.9]	11.50	14.00	73	800 [378]
RCFN-H*2417(U96VA0602317MSA)	24,200 [7.1]	17,700 [5.2]	6,500 [1.9]	11.50	14.00	73	800 [378]	
RCFN-H*2417(U96VA0702317MSA)	24,200 [7.1]	17,700 [5.2]	6,500 [1.9]	11.50	14.00	73	800 [378]	
RCFN-H*2417(R96VA0702317MSA)	24,200 [7.1]	17,700 [5.2]	6,500 [1.9]	11.50	14.00	73	800 [378]	
RCFN-H*2417(RGFE-06?MCK?)	24,200 [7.1]	17,700 [5.2]	6,500 [1.9]	11.50	14.00	73	800 [378]	
RCFN-H*2417(RGFE-07?MCK?)	24,200 [7.1]	17,700 [5.2]	6,500 [1.9]	11.50	14.00	73	825 [389]	
RCFN-H*2417(RGFG-06EMCKS)	24,200 [7.1]	17,700 [5.2]	6,500 [1.9]	11.50	14.00	73	800 [378]	
RCFN-H*2417(RGFG-06NMCKS)	24,200 [7.1]	17,700 [5.2]	6,500 [1.9]	11.50	14.00	73	800 [378]	
RCFN-H*2417(RGFG-07EMCKS)	24,400 [7.1]	18,100 [5.3]	6,300 [1.8]	11.50	14.00	73	850 [401]	
RCFN-H*2417(RGFG-07NMCKS)	24,400 [7.1]	18,100 [5.3]	6,300 [1.8]	11.50	14.00	73	850 [401]	
RCFN-H*2417(RGGE-06?MCK?)	24,200 [7.1]	17,700 [5.2]	6,500 [1.9]	11.50	14.00	73	825 [389]	

① Highest sales volume tested combination required by D.O.E. test procedures.

[] Designates Metric Conversions

Performance Data @ AHRI Standard Conditions—Cooling

Model Numbers		80°F [26.5°C] DB/67°F [19.5°C] WB Indoor Air 95°F [35°C] DB Outdoor Air					Sound Rating dB	Indoor CFM [L/s]
Outdoor Unit 13A*N	Indoor Coil and/or Air Handler	Total Capacity BTU/H [kW]	Net Sensible BTU/H [kW]	Net Latent BTU/H [kW]	EER	SEER		
Rev. 9/3/14	RCFN-H*2421(RGLE-07?BRQ?)	24,400 [7.1]	17,800 [5.2]	6,600 [1.9]	12.00	14.50	73	775 [366]
	RCFN-H*2421(RGLE-10?BRM?)	24,800 [7.3]	18,600 [5.4]	6,200 [1.8]	12.00	14.50	73	875 [413]
	RCFN-H*2421(RGPE-05?BMK?)	24,200 [7.1]	17,700 [5.2]	6,500 [1.9]	12.00	14.50	73	800 [378]
	RCFN-H*2421(RGPE-07?AMK?)	24,200 [7.1]	17,700 [5.2]	6,500 [1.9]	12.00	14.50	73	825 [389]
	RCFN-H*2421(RGPE-07?BRQ?)	24,000 [7.0]	17,400 [5.1]	6,600 [1.9]	12.00	14.50	73	725 [342]
	RCFN-H*2421(RGPE-10?BRM?)	24,800 [7.3]	18,600 [5.4]	6,200 [1.8]	12.00	14.50	73	900 [425]
	RCFN-H*2421(RGPT-05?BMK?)	24,600 [7.2]	18,400 [5.4]	6,200 [1.8]	11.50	14.00	73	900 [425]
	RCFN-H*2421(RGRM-04?MAE?)	24,200 [7.1]	17,700 [5.2]	6,500 [1.9]	11.50	14.00	73	800 [378]
	RCFN-H*2421(RGRM-06?MAE?)	24,200 [7.1]	17,600 [5.2]	6,600 [1.9]	12.00	14.50	73	775 [366]
	RCFN-H*2421(RGRM-07?MAE?)	24,200 [7.1]	17,700 [5.2]	6,500 [1.9]	11.50	14.00	73	800 [378]
	RCFN-H*2421(RGRM-07?YBG?)	24,200 [7.1]	17,900 [5.2]	6,300 [1.8]	11.50	13.50	73	850 [401]
	RCFN-H*2421(RGRM-10?ZAJ?)	24,600 [7.2]	18,400 [5.4]	6,200 [1.8]	11.50	14.00	73	875 [413]
	RCFN-H*2421(RGTM-06?MAE?)	24,000 [7.0]	17,400 [5.1]	6,600 [1.9]	12.00	14.50	73	750 [354]
	RCFN-H*2421(RGTM-07?RBG?)	24,400 [7.1]	17,900 [5.2]	6,500 [1.9]	12.00	14.50	73	800 [378]
	RCFN-H*2421(RHWP-04WWMX36B)	24,800 [7.3]	18,600 [5.4]	6,200 [1.8]	12.00	14.50	73	900 [425]
	RCFN-H*2421(ROCA-070E03)	24,400 [7.1]	17,900 [5.2]	6,500 [1.9]	12.00	14.50	73	800 [378]
	RCFN-H*2421(ROCA-070E04)	24,400 [7.1]	17,900 [5.2]	6,500 [1.9]	12.00	14.50	73	800 [378]
	RCFN-H*2421(ROCB-072E04)	24,200 [7.1]	17,700 [5.2]	6,500 [1.9]	11.50	14.00	73	800 [378]
	RCFN-H*2421(ROLA-070E03)	24,400 [7.1]	17,900 [5.2]	6,500 [1.9]	12.00	14.50	73	800 [378]
	RCFN-H*2421(ROLA-070E04)	24,000 [7.0]	17,400 [5.1]	6,600 [1.9]	12.00	14.50	73	725 [342]
RCFN-H*2421(ROLA-115E05)	24,800 [7.3]	18,600 [5.4]	6,200 [1.8]	12.00	14.50	73	900 [425]	
RBHP-17(RCHL-24A2)	22,000 [6.4]	15,850 [4.6]	6,150 [1.8]	11.50	14.00	73	800 [378]	
RCQD-2417	23,800 [7.0]	17,300 [5.1]	6,500 [1.9]	11.00	13.00	73	800 [378]	
RCQD-2417(R95TA0401317MSA)	24,800 [7.3]	18,600 [5.4]	6,200 [1.8]	11.50	14.00	73	900 [425]	
RCQD-2417(R95TA0601317MSA)	24,600 [7.2]	18,400 [5.4]	6,200 [1.8]	11.50	14.00	73	875 [413]	
RCQD-2417(R95TA0701317MSA)	24,600 [7.2]	18,400 [5.4]	6,200 [1.8]	11.50	13.50	73	875 [413]	
RCQD-2417(R96VA0602317MSA)	24,200 [7.1]	17,700 [5.2]	6,500 [1.9]	11.50	14.00	73	800 [378]	
RCQD-2417(U96VA0602317MSA)	24,200 [7.1]	17,700 [5.2]	6,500 [1.9]	11.50	14.00	73	800 [378]	
RCQD-2417(U96VA0702317MSA)	24,200 [7.1]	17,700 [5.2]	6,500 [1.9]	11.50	14.00	73	800 [378]	
RCQD-2417(R96VA0702317MSA)	24,200 [7.1]	17,700 [5.2]	6,500 [1.9]	11.50	14.00	73	800 [378]	
RCQD-2417(RGFE-06?MCK?)	23,600 [6.9]	17,700 [5.2]	5,900 [1.7]	11.50	13.50	73	800 [378]	
RCQD-2417(RGFE-07?MCK?)	23,600 [6.9]	17,700 [5.2]	5,900 [1.7]	11.50	13.50	73	825 [389]	
RCQD-2417(RGFG-06EMCKS)	23,600 [6.9]	17,700 [5.2]	5,900 [1.7]	11.50	14.00	73	800 [378]	
RCQD-2417(RGFG-06NMCKS)	23,600 [6.9]	17,700 [5.2]	5,900 [1.7]	11.50	14.00	73	800 [378]	
RCQD-2417(RGFG-07EMCKS)	23,600 [6.9]	17,700 [5.2]	5,900 [1.7]	11.50	14.00	73	800 [378]	
RCQD-2417(RGFG-07NMCKS)	23,600 [6.9]	17,700 [5.2]	5,900 [1.7]	11.50	14.00	73	800 [378]	
RCQD-2417(RGJF-06?MCK?)	23,600 [6.9]	17,700 [5.2]	5,900 [1.7]	11.50	13.50	73	825 [389]	
RCQD-2417(RGJF-07?MCK?)	23,600 [6.9]	17,700 [5.2]	5,900 [1.7]	11.50	13.50	73	800 [378]	
RCQD-2417(RGPE-05?BMK?)	23,600 [6.9]	17,700 [5.2]	5,900 [1.7]	11.50	13.50	73	800 [378]	
RCQD-2417(RGPE-07?AMK?)	23,600 [6.9]	17,700 [5.2]	5,900 [1.7]	11.50	14.00	73	825 [389]	
RCQD-2417(RGPT-05?BMK?)	23,000 [6.7]	16,700 [4.9]	6,300 [1.8]	11.50	13.50	73	650 [307]	
RCQD-2417(RGRM-04?MAE?)	23,600 [6.9]	17,700 [5.2]	5,900 [1.7]	11.50	13.50	73	800 [378]	
RCQD-2417(RGRM-06?MAE?)	23,600 [6.9]	17,700 [5.2]	5,900 [1.7]	11.50	13.50	73	825 [389]	
RCQD-2417(RGRM-07?MAE?)	23,400 [6.9]	17,500 [5.1]	5,900 [1.7]	11.50	13.50	73	800 [378]	
RCQD-2417(RGTM-06?MAE?)	23,600 [6.9]	17,700 [5.2]	5,900 [1.7]	11.50	13.50	73	825 [389]	
RCQD-2417(RHWP-04WWMX36B)	24,000 [7.0]	18,300 [5.4]	5,700 [1.7]	11.50	14.00	73	875 [413]	
RCQD-2417(ROCA-070E03)	23,600 [6.9]	17,700 [5.2]	5,900 [1.7]	11.50	14.00	73	800 [378]	
RCQD-2417(ROCA-070E04)	23,600 [6.9]	17,700 [5.2]	5,900 [1.7]	11.50	14.00	73	800 [378]	
RCQD-2417(ROLA-070E03)	23,600 [6.9]	17,700 [5.2]	5,900 [1.7]	11.50	14.00	73	800 [378]	
RCQD-2417(ROLA-070E04)	23,200 [6.8]	17,100 [5.0]	6,100 [1.8]	11.50	13.50	73	725 [342]	

① Highest sales volume tested combination required by D.O.E. test procedures.

[] Designates Metric Conversions

Performance Data @ AHRI Standard Conditions—Cooling

Model Numbers		80°F [26.5°C] DB/67°F [19.5°C] WB Indoor Air 95°F [35°C] DB Outdoor Air					Sound Rating dB	Indoor CFM [L/s]
Outdoor Unit 13A*N	Indoor Coil and/or Air Handler	Total Capacity BTU/H [kW]	Net Sensible BTU/H [kW]	Net Latent BTU/H [kW]	EER	SEER		
Rev. 9/3/14 13AJN24	RHKL-HM2417(RCSL-H*2417)	23,800 [7.0]	17,900 [5.2]	5,900 [1.7]	11.50	14.00	73	850 [401]
	RHLL-HM2417(RCSL-H*2417)	23,600 [6.9]	17,500 [5.1]	6,100 [1.8]	12.00	14.50	73	775 [366]
	RHSL-HM2417(RCSL-H*2417)	23,200 [6.8]	17,250 [5.1]	5,950 [1.7]	11.00	13.00	73	800 [378]
13AJN30	RCFL-H*3617+RXMD-C04 ①	27,400 [8.0]	20,350 [6.0]	7,050 [2.1]	10.50	13.00	74	1,000 [472]
	RH1P3017STAN	27,600 [8.1]	19,800 [5.8]	7,800 [2.3]	11.00	13.00	74	1,000 [472]
	RH1T3617STAN	28,000 [8.2]	20,800 [6.1]	7,200 [2.1]	11.50	14.00	74	1,000 [472]
	RH1T3621MTAN	29,200 [8.6]	21,100 [6.2]	8,100 [2.4]	12.00	14.50	74	1,000 [472]
	RH1V3617STAN	28,000 [8.2]	20,200 [5.9]	7,800 [2.3]	11.50	14.00	74	1,025 [484]
	RH1V3621MTAN	29,400 [8.6]	21,300 [6.2]	8,100 [2.4]	12.00	14.50	74	1,000 [472]
	RHAL-FR30P	28,400 [8.3]	22,600 [6.6]	5,800 [1.7]	11.00	13.00	74	975 [460]
	RHBL-FR36T	28,400 [8.3]	22,600 [6.6]	5,800 [1.7]	11.50	14.00	74	1,025 [484]
	RCFL-A*3617(R95TA0401317MSA)	27,800 [8.1]	20,600 [6.0]	7,200 [2.1]	11.50	14.00	74	950 [448]
	RCFL-A*3617(R95TA0601317MSA)	27,800 [8.1]	20,800 [6.1]	7,000 [2.1]	11.00	13.50	74	1,025 [484]
	RCFL-A*3617(R95TA0701317MSA)	27,400 [8.0]	20,100 [5.9]	7,300 [2.1]	11.50	13.50	74	925 [437]
	RCFL-A*3617(R96VA0602317MSA)	27,000 [7.9]	19,300 [5.7]	7,700 [2.3]	11.50	14.00	74	800 [378]
	RCFL-A*3617(U96VA0602317MSA)	27,000 [7.9]	19,300 [5.7]	7,700 [2.3]	11.50	14.00	74	800 [378]
	RCFL-A*3617(R96VA0702317MSA)	27,400 [8.0]	19,900 [5.8]	7,500 [2.2]	11.50	14.00	74	875 [413]
	RCFL-A*3617(U96VA0702317MSA)	27,400 [8.0]	19,900 [5.8]	7,500 [2.2]	11.50	14.00	74	875 [413]
	RCFL-A*3617(RGFE-06?MCK?)	27,600 [8.1]	20,600 [6.0]	7,000 [2.1]	11.50	13.50	74	1,000 [472]
	RCFL-A*3617(RGFE-07?MCK?)	27,600 [8.1]	20,600 [6.0]	7,000 [2.1]	11.00	13.50	74	1,025 [484]
	RCFL-A*3617(RGFG-06EMCKS)	27,600 [8.1]	20,600 [6.0]	7,000 [2.1]	11.50	13.50	74	1,000 [472]
	RCFL-A*3617(RGFG-06NMCKS)	27,600 [8.1]	20,600 [6.0]	7,000 [2.1]	11.50	13.50	74	1,000 [472]
	RCFL-A*3617(RGFG-07EMCKS)	27,600 [8.1]	20,600 [6.0]	7,000 [2.1]	11.00	13.50	74	1,000 [472]
	RCFL-A*3617(RGFG-07NMCKS)	27,600 [8.1]	20,600 [6.0]	7,000 [2.1]	11.00	13.50	74	1,000 [472]
	RCFL-A*3617(RGGE-06?MCK?)	27,600 [8.1]	20,200 [5.9]	7,400 [2.2]	11.50	14.00	74	925 [437]
	RCFL-A*3617(RGGE-07?MCK?)	27,800 [8.1]	20,600 [6.0]	7,200 [2.1]	11.50	13.50	74	1,025 [484]
	RCFL-A*3617(RGLE-07?AMK?)	27,800 [8.1]	20,600 [6.0]	7,200 [2.1]	11.50	14.00	74	1,025 [484]
	RCFL-A*3617(RGLT-07?AMK?)	27,600 [8.1]	20,000 [5.9]	7,600 [2.2]	11.50	14.00	74	900 [425]
	RCFL-A*3617(RGPE-05?BMK?)	27,400 [8.0]	19,900 [5.8]	7,500 [2.2]	11.50	14.00	74	900 [425]
	RCFL-A*3617(RGPE-07?AMK?)	27,800 [8.1]	20,600 [6.0]	7,200 [2.1]	11.50	14.00	74	1,000 [472]
	RCFL-A*3617(RGPT-05?BMK?)	27,400 [8.0]	20,000 [5.9]	7,400 [2.2]	11.50	14.00	74	900 [425]
	RCFL-A*3617(RGPT-07?AMK?)	27,600 [8.1]	20,200 [5.9]	7,400 [2.2]	11.50	14.00	74	900 [425]
	RCFL-A*3617(RGRM-04?MAE?)	27,400 [8.0]	20,000 [5.9]	7,400 [2.2]	11.50	13.50	74	925 [437]
	RCFL-A*3617(RGRM-06?MAE?)	27,600 [8.1]	20,600 [6.0]	7,000 [2.1]	11.00	13.50	74	1,000 [472]
	RCFL-A*3617(RGRM-07?MAE?)	27,400 [8.0]	20,000 [5.9]	7,400 [2.2]	11.00	13.00	74	950 [448]
	RCFL-A*3617(RGTM-06?MAE?)	27,400 [8.0]	20,000 [5.9]	7,400 [2.2]	11.50	14.00	74	900 [425]
	RCFL-A*3617(RHWP-04WMX36B)	28,000 [8.2]	21,100 [6.2]	6,900 [2.0]	11.50	14.00	74	1,050 [495]
	RCFL-A*3617(RHWP-06WMX48B)	28,000 [8.2]	20,900 [6.1]	7,100 [2.1]	11.50	14.00	74	975 [460]
	RCFL-A*3617(ROCA-070E03)	27,800 [8.1]	20,800 [6.1]	7,000 [2.1]	11.50	14.00	74	1,000 [472]
	RCFL-A*3617(ROCA-070E04)	27,800 [8.1]	20,800 [6.1]	7,000 [2.1]	11.50	14.00	74	1,000 [472]
	RCFL-A*3617(ROLA-070E03)	28,000 [8.2]	20,800 [6.1]	7,200 [2.1]	11.50	14.00	74	975 [460]
	RCFL-A*3617(ROLA-070E04)	27,800 [8.1]	20,800 [6.1]	7,000 [2.1]	11.50	14.00	74	1,025 [484]
	RCFL-A*3617+RXMD-C04	27,400 [8.0]	20,350 [6.0]	7,050 [2.1]	10.50	13.00	74	1,000 [472]
	RCFL-A*3621(R95TA0401317MSA)	27,800 [8.1]	20,600 [6.0]	7,200 [2.1]	11.50	14.00	74	950 [448]
	RCFL-A*3621(R95TA0601317MSA)	27,400 [8.0]	19,900 [5.8]	7,500 [2.2]	11.50	13.50	74	875 [413]
RCFL-A*3621(R95TA0701317MSA)	27,400 [8.0]	20,100 [5.9]	7,300 [2.1]	11.50	13.50	74	925 [437]	
RCFL-A*3621(R96VA0602317MSA)	27,000 [7.9]	19,300 [5.7]	7,700 [2.3]	11.50	14.00	74	800 [378]	
RCFL-A*3621(U96VA0602317MSA)	27,000 [7.9]	19,300 [5.7]	7,700 [2.3]	11.50	14.00	74	800 [378]	
RCFL-A*3621(R96VA0702317MSA)	27,400 [8.0]	19,900 [5.8]	7,500 [2.2]	11.50	14.00	74	875 [413]	
RCFL-A*3621(U96VA0702317MSA)	27,400 [8.0]	19,900 [5.8]	7,500 [2.2]	11.50	14.00	74	875 [413]	

① Highest sales volume tested combination required by D.O.E. test procedures.

[] Designates Metric Conversions

Performance Data @ AHRI Standard Conditions—Cooling

Model Numbers		80°F [26.5°C] DB/67°F [19.5°C] WB Indoor Air 95°F [35°C] DB Outdoor Air					Sound Rating dB	Indoor CFM [L/s]
Outdoor Unit 13A*N	Indoor Coil and/or Air Handler	Total Capacity BTU/H [kW]	Net Sensible BTU/H [kW]	Net Latent BTU/H [kW]	EER	SEER		
Rev. 9/3/14	RCFL-A*3821(RGTM-06?MAE?)	28,600 [8.4]	20,900 [6.1]	7,700 [2.3]	12.00	14.50	74	900 [425]
	RCFL-A*3821(RGTM-07?RBG?)	29,400 [8.6]	22,300 [6.5]	7,100 [2.1]	12.00	14.50	74	1,050 [495]
	RCFL-A*3821(RGTM-09?ZAJ?)	29,200 [8.6]	21,800 [6.4]	7,400 [2.2]	12.00	14.50	74	975 [460]
	RCFL-A*3821(RHWP-04WXM36B)	28,800 [8.4]	21,100 [6.2]	7,700 [2.3]	12.00	14.50	74	900 [425]
	RCFL-A*3821(RHWP-06WXM48B)	29,000 [8.5]	21,700 [6.4]	7,300 [2.1]	12.00	14.50	74	1,025 [484]
	RCFL-A*3821(ROCA-070E03)	29,200 [8.6]	21,900 [6.4]	7,300 [2.1]	12.00	14.50	74	1,000 [472]
	RCFL-A*3821(ROCA-070E04)	29,200 [8.6]	21,900 [6.4]	7,300 [2.1]	12.00	14.50	74	1,000 [472]
	RCFL-A*3821(ROCB-072E04)	29,000 [8.5]	21,700 [6.4]	7,300 [2.1]	12.00	14.50	74	1,000 [472]
	RCFL-A*3821(ROLA-070E03)	29,200 [8.6]	21,800 [6.4]	7,400 [2.2]	12.00	14.50	74	975 [460]
	RCFL-A*3821(ROLA-070E04)	29,200 [8.6]	21,900 [6.4]	7,300 [2.1]	12.00	14.50	74	1,025 [484]
	RCFL-A*3821(ROLA-115E05)	29,400 [8.6]	22,300 [6.5]	7,100 [2.1]	12.00	14.50	74	1,050 [495]
	RCFL-A*3824	28,200 [8.3]	21,900 [6.4]	6,300 [1.8]	11.00	13.00	74	1,000 [472]
	RCFL-A*3824(U96VA0852521MSB)	29,000 [8.5]	21,700 [6.4]	7,300 [2.1]	12.00	14.50	74	1,025 [484]
	RCFL-A*3824(R96VA0852521MSB)	29,000 [8.5]	21,700 [6.4]	7,300 [2.1]	12.00	14.50	74	1,025 [484]
	RCFL-A*3824(U96VA1002521MSA)	29,400 [8.6]	22,300 [6.5]	7,100 [2.1]	12.00	14.50	74	1,050 [495]
	RCFL-A*3824(R96VA1002521MSA)	29,400 [8.6]	22,300 [6.5]	7,100 [2.1]	12.00	14.50	74	1,050 [495]
	RCFL-A*3824(RGFE-09?ZCM?)	29,000 [8.5]	21,700 [6.4]	7,300 [2.1]	12.00	14.50	74	1,025 [484]
	RCFL-A*3824(RGFE-10?ZCM?)	29,000 [8.5]	21,700 [6.4]	7,300 [2.1]	12.00	14.50	74	1,025 [484]
	RCFL-A*3824(RGFE-12?RCM?)	29,200 [8.6]	21,900 [6.4]	7,300 [2.1]	12.00	14.50	74	1,025 [484]
	RCFL-A*3824(RGFG-09EZCMS)	29,000 [8.5]	21,700 [6.4]	7,300 [2.1]	12.00	14.50	74	1,025 [484]
	RCFL-A*3824(RGFG-09NZCMS)	29,000 [8.5]	21,700 [6.4]	7,300 [2.1]	12.00	14.50	74	1,025 [484]
	RCFL-A*3824(RGFG-10EZCMS)	29,200 [8.6]	22,100 [6.5]	7,100 [2.1]	12.00	14.50	74	1,050 [495]
	RCFL-A*3824(RGFG-10NZCMS)	29,200 [8.6]	22,100 [6.5]	7,100 [2.1]	12.00	14.50	74	1,050 [495]
	RCFL-A*3824(RGFG-12ERCMS)	29,200 [8.6]	21,900 [6.4]	7,300 [2.1]	12.00	14.50	74	1,025 [484]
	RCFL-A*3824(RGFG-12NRCMS)	29,200 [8.6]	21,900 [6.4]	7,300 [2.1]	12.00	14.50	74	1,025 [484]
	RCFL-A*3824(RGGE-09?ZCM?)	29,000 [8.5]	21,700 [6.4]	7,300 [2.1]	12.00	14.50	74	1,025 [484]
	RCFL-A*3824(RGGE-10?ZCM?)	29,400 [8.6]	22,300 [6.5]	7,100 [2.1]	12.00	14.50	74	1,050 [495]
	RCFL-A*3824(RGGE-12?RCM?)	29,400 [8.6]	22,300 [6.5]	7,100 [2.1]	12.00	14.50	74	1,050 [495]
	RCFL-A*3824(RGLE-07?BRQ?)	29,200 [8.6]	21,900 [6.4]	7,300 [2.1]	12.00	14.50	74	1,025 [484]
	RCFL-A*3824(RGLE-10?BRM?)	29,400 [8.6]	22,300 [6.5]	7,100 [2.1]	12.00	14.50	74	1,050 [495]
	RCFL-A*3824(RGLE-12?ARM?)	29,600 [8.7]	22,600 [6.6]	7,000 [2.1]	12.00	14.50	74	1,075 [507]
	RCFL-A*3824(RGLT-07?BRQ?)	29,400 [8.6]	22,300 [6.5]	7,100 [2.1]	12.00	14.50	74	1,050 [495]
	RCFL-A*3824(RGLT-10?BRM?)	29,400 [8.6]	22,300 [6.5]	7,100 [2.1]	12.00	14.50	74	1,050 [495]
	RCFL-A*3824(RGLT-12?ARM?)	29,000 [8.5]	21,500 [6.3]	7,500 [2.2]	12.00	14.50	74	950 [448]
	RCFL-A*3824(RGPE-07?BRQ?)	29,400 [8.6]	22,300 [6.5]	7,100 [2.1]	12.00	14.50	74	1,050 [495]
	RCFL-A*3824(RGPE-10?BRM?)	29,600 [8.7]	22,600 [6.6]	7,000 [2.1]	12.00	14.50	74	1,075 [507]
	RCFL-A*3824(RGPE-12?ARM?)	29,600 [8.7]	22,600 [6.6]	7,000 [2.1]	12.00	14.50	74	1,075 [507]
	RCFL-A*3824(RGPT-07?BRQ?)	29,200 [8.6]	21,900 [6.4]	7,300 [2.1]	12.00	14.50	74	1,025 [484]
	RCFL-A*3824(RGPT-10?BRM?)	29,200 [8.6]	21,900 [6.4]	7,300 [2.1]	12.00	14.50	74	1,025 [484]
	RCFL-A*3824(RGPT-12?ARM?)	29,200 [8.6]	21,800 [6.4]	7,400 [2.2]	12.00	14.50	74	975 [460]
RCFL-A*3824(RGRM-07?YBG?)	28,800 [8.4]	21,400 [6.3]	7,400 [2.2]	11.50	14.00	74	975 [460]	
RCFL-A*3824(RGRM-09?ZAJ?)	29,400 [8.6]	22,400 [6.6]	7,000 [2.1]	11.50	14.00	74	1,075 [507]	
RCFL-A*3824(RGRM-10?ZAJ?)	28,600 [8.4]	20,800 [6.1]	7,800 [2.3]	12.00	14.50	74	875 [413]	
RCFL-A*3824(RGRM-12?RAJ?)	29,400 [8.6]	22,400 [6.6]	7,000 [2.1]	12.00	14.50	74	1,075 [507]	
RCFL-A*3824(RGTM-07?RBG?)	29,400 [8.6]	22,300 [6.5]	7,100 [2.1]	12.00	14.50	74	1,050 [495]	
RCFL-A*3824(RGTM-09?ZAJ?)	29,200 [8.6]	21,800 [6.4]	7,400 [2.2]	12.00	14.50	74	975 [460]	
RCFL-A*3824(RGTM-10?RBJ?)	29,200 [8.6]	21,800 [6.4]	7,400 [2.2]	12.00	14.50	74	975 [460]	
RCFL-A*3824(ROCA-070E03)	29,200 [8.6]	21,900 [6.4]	7,300 [2.1]	12.00	14.50	74	1,000 [472]	
RCFL-A*3824(ROCA-070E04)	29,200 [8.6]	21,900 [6.4]	7,300 [2.1]	12.00	14.50	74	1,000 [472]	
RCFL-A*3824(ROCB-072E04)	29,000 [8.5]	21,700 [6.4]	7,300 [2.1]	12.00	14.50	74	1,000 [472]	

① Highest sales volume tested combination required by D.O.E. test procedures.

[] Designates Metric Conversions

Performance Data @ AHRI Standard Conditions—Cooling

Model Numbers		80°F [26.5°C] DB/67°F [19.5°C] WB Indoor Air 95°F [35°C] DB Outdoor Air					Sound Rating dB	Indoor CFM [L/s]
Outdoor Unit 13A*N	Indoor Coil and/or Air Handler	Total Capacity BTU/H [kW]	Net Sensible BTU/H [kW]	Net Latent BTU/H [kW]	EER	SEER		
Rev. 9/3/14	RCFL-H*3821(RGTM-06?MAE?)	28,600 [8.4]	20,900 [6.1]	7,700 [2.3]	12.00	14.50	74	900 [425]
	RCFL-H*3821(RGTM-07?RBG?)	29,400 [8.6]	22,300 [6.5]	7,100 [2.1]	12.00	14.50	74	1,050 [495]
	RCFL-H*3821(RGTM-09?ZAJ?)	29,200 [8.6]	21,800 [6.4]	7,400 [2.2]	12.00	14.50	74	975 [460]
	RCFL-H*3821(RHWP-04WMMX36B)	28,800 [8.4]	21,100 [6.2]	7,700 [2.3]	12.00	14.50	74	900 [425]
	RCFL-H*3821(RHWP-06WMMX48B)	29,000 [8.5]	21,700 [6.4]	7,300 [2.1]	12.00	14.50	74	1,025 [484]
	RCFL-H*3821(ROCA-070E03)	29,200 [8.6]	21,900 [6.4]	7,300 [2.1]	12.00	14.50	74	1,000 [472]
	RCFL-H*3821(ROCA-070E04)	29,200 [8.6]	21,900 [6.4]	7,300 [2.1]	12.00	14.50	74	1,000 [472]
	RCFL-H*3821(ROCB-072E04)	29,000 [8.5]	21,700 [6.4]	7,300 [2.1]	12.00	14.50	74	1,000 [472]
	RCFL-H*3821(ROLA-070E03)	29,200 [8.6]	21,800 [6.4]	7,400 [2.2]	12.00	14.50	74	975 [460]
	RCFL-H*3821(ROLA-070E04)	29,200 [8.6]	21,900 [6.4]	7,300 [2.1]	12.00	14.50	74	1,025 [484]
	RCFL-H*3821(ROLA-115E05)	29,400 [8.6]	22,300 [6.5]	7,100 [2.1]	12.00	14.50	74	1,050 [495]
	RCFL-H*3824	28,200 [8.3]	21,900 [6.4]	6,300 [1.8]	11.00	13.00	74	1,000 [472]
	RCFL-H*3824(R96VA0852521MSB)	29,000 [8.5]	21,700 [6.4]	7,300 [2.1]	12.00	14.50	74	1,025 [484]
	RCFL-H*3824(U96VA0852521MSB)	29,000 [8.5]	21,700 [6.4]	7,300 [2.1]	12.00	14.50	74	1,025 [484]
	RCFL-H*3824(U96VA1002521MSA)	29,400 [8.6]	22,300 [6.5]	7,100 [2.1]	12.00	14.50	74	1,050 [495]
	RCFL-H*3824(R96VA1002521MSA)	29,400 [8.6]	22,300 [6.5]	7,100 [2.1]	12.00	14.50	74	1,050 [495]
	RCFL-H*3824(RGFE-09?ZCM?)	29,000 [8.5]	21,700 [6.4]	7,300 [2.1]	12.00	14.50	74	1,025 [484]
	RCFL-H*3824(RGFE-10?ZCM?)	29,000 [8.5]	21,700 [6.4]	7,300 [2.1]	12.00	14.50	74	1,025 [484]
	RCFL-H*3824(RGFE-12?RCM?)	29,200 [8.6]	21,900 [6.4]	7,300 [2.1]	12.00	14.50	74	1,025 [484]
	RCFL-H*3824(RGFG-09EZCMS)	29,000 [8.5]	21,700 [6.4]	7,300 [2.1]	12.00	14.50	74	1,025 [484]
	RCFL-H*3824(RGFG-09NZCMS)	29,000 [8.5]	21,700 [6.4]	7,300 [2.1]	12.00	14.50	74	1,025 [484]
	RCFL-H*3824(RGFG-10EZCMS)	29,200 [8.6]	22,100 [6.5]	7,100 [2.1]	12.00	14.50	74	1,050 [495]
	RCFL-H*3824(RGFG-10NZCMS)	29,200 [8.6]	22,100 [6.5]	7,100 [2.1]	12.00	14.50	74	1,050 [495]
	RCFL-H*3824(RGFG-12ERCMS)	29,200 [8.6]	21,900 [6.4]	7,300 [2.1]	12.00	14.50	74	1,025 [484]
	RCFL-H*3824(RGFG-12NRCMS)	29,200 [8.6]	21,900 [6.4]	7,300 [2.1]	12.00	14.50	74	1,025 [484]
	RCFL-H*3824(RGGE-09?ZCM?)	29,000 [8.5]	21,700 [6.4]	7,300 [2.1]	12.00	14.50	74	1,025 [484]
	RCFL-H*3824(RGGE-10?ZCM?)	29,400 [8.6]	22,300 [6.5]	7,100 [2.1]	12.00	14.50	74	1,050 [495]
	RCFL-H*3824(RGGE-12?RCM?)	29,400 [8.6]	22,300 [6.5]	7,100 [2.1]	12.00	14.50	74	1,050 [495]
	RCFL-H*3824(RGJF-09?ZCM?)	29,000 [8.5]	21,700 [6.4]	7,300 [2.1]	12.00	14.50	74	1,025 [484]
	RCFL-H*3824(RGJF-10?ZCM?)	29,400 [8.6]	22,300 [6.5]	7,100 [2.1]	12.00	14.50	74	1,050 [495]
	RCFL-H*3824(RGJF-12?RCM?)	29,400 [8.6]	22,300 [6.5]	7,100 [2.1]	12.00	14.50	74	1,050 [495]
	RCFL-H*3824(RGLE-07?BRQ?)	29,200 [8.6]	21,900 [6.4]	7,300 [2.1]	12.00	14.50	74	1,025 [484]
	RCFL-H*3824(RGLE-10?BRM?)	29,400 [8.6]	22,300 [6.5]	7,100 [2.1]	12.00	14.50	74	1,050 [495]
	RCFL-H*3824(RGLE-12?ARM?)	29,600 [8.7]	22,600 [6.6]	7,000 [2.1]	12.00	14.50	74	1,075 [507]
	RCFL-H*3824(RGLT-07?BRQ?)	29,400 [8.6]	22,300 [6.5]	7,100 [2.1]	12.00	14.50	74	1,050 [495]
	RCFL-H*3824(RGLT-10?BRM?)	29,400 [8.6]	22,300 [6.5]	7,100 [2.1]	12.00	14.50	74	1,050 [495]
	RCFL-H*3824(RGLT-12?ARM?)	29,000 [8.5]	21,500 [6.3]	7,500 [2.2]	12.00	14.50	74	950 [448]
	RCFL-H*3824(RGPE-07?BRQ?)	29,400 [8.6]	22,300 [6.5]	7,100 [2.1]	12.00	14.50	74	1,050 [495]
	RCFL-H*3824(RGPE-10?BRM?)	29,600 [8.7]	22,600 [6.6]	7,000 [2.1]	12.00	14.50	74	1,075 [507]
	RCFL-H*3824(RGPE-12?ARM?)	29,600 [8.7]	22,600 [6.6]	7,000 [2.1]	12.00	14.50	74	1,075 [507]
RCFL-H*3824(RGPT-07?BRQ?)	29,200 [8.6]	21,900 [6.4]	7,300 [2.1]	12.00	14.50	74	1,025 [484]	
RCFL-H*3824(RGPT-10?BRM?)	29,200 [8.6]	21,900 [6.4]	7,300 [2.1]	12.00	14.50	74	1,025 [484]	
RCFL-H*3824(RGPT-12?ARM?)	29,200 [8.6]	21,800 [6.4]	7,400 [2.2]	12.00	14.50	74	975 [460]	
RCFL-H*3824(RGRM-07?YBG?)	28,800 [8.4]	21,400 [6.3]	7,400 [2.2]	11.50	14.00	74	975 [460]	
RCFL-H*3824(RGRM-09?ZAJ?)	29,400 [8.6]	22,400 [6.6]	7,000 [2.1]	11.50	14.00	74	1,075 [507]	
RCFL-H*3824(RGRM-10?ZAJ?)	28,600 [8.4]	20,800 [6.1]	7,800 [2.3]	12.00	14.50	74	875 [413]	
RCFL-H*3824(RGRM-12?RAJ?)	29,400 [8.6]	22,400 [6.6]	7,000 [2.1]	12.00	14.50	74	1,075 [507]	
RCFL-H*3824(RGTM-07?RBG?)	29,400 [8.6]	22,300 [6.5]	7,100 [2.1]	12.00	14.50	74	1,050 [495]	
RCFL-H*3824(RGTM-09?ZAJ?)	29,200 [8.6]	21,800 [6.4]	7,400 [2.2]	12.00	14.50	74	975 [460]	
RCFL-H*3824(RGTM-10?RBJ?)	29,200 [8.6]	21,800 [6.4]	7,400 [2.2]	12.00	14.50	74	975 [460]	

① Highest sales volume tested combination required by D.O.E. test procedures.

[] Designates Metric Conversions

Performance Data @ AHRI Standard Conditions—Cooling

Model Numbers		80°F [26.5°C] DB/67°F [19.5°C] WB Indoor Air 95°F [35°C] DB Outdoor Air					Sound Rating dB	Indoor CFM [L/s]	
Outdoor Unit 13A*N	Indoor Coil and/or Air Handler	Total Capacity BTU/H [kW]	Net Sensible BTU/H [kW]	Net Latent BTU/H [kW]	EER	SEER			
Rev. 9/3/14	RBHP-21(RCHL-36A1)	28,000 [8.2]	20,900 [6.1]	7,100 [2.1]	11.50	14.00	74	1,000 [472]	
	RCQD-3621(R95TA0401317MSA)	29,600 [8.7]	22,900 [6.7]	6,700 [2.0]	12.00	14.50	74	1,000 [472]	
	RCQD-3621(R95TA0601317MSA)	29,200 [8.6]	22,200 [6.5]	7,000 [2.1]	11.50	14.00	74	925 [437]	
	RCQD-3621(R95TA0701317MSA)	29,000 [8.5]	21,600 [6.3]	7,400 [2.2]	11.50	14.00	74	975 [460]	
	RCQD-3621(R96VA0602317MSA)	29,200 [8.6]	22,100 [6.5]	7,100 [2.1]	11.50	14.00	74	1,050 [495]	
	RCQD-3621(U96VA0602317MSA)	29,200 [8.6]	22,100 [6.5]	7,100 [2.1]	11.50	14.00	74	1,050 [495]	
	RCQD-3621(U96VA0702317MSA)	28,600 [8.4]	20,800 [6.1]	7,800 [2.3]	12.00	14.50	74	875 [413]	
	RCQD-3621(R96VA0702317MSA)	28,600 [8.4]	20,800 [6.1]	7,800 [2.3]	12.00	14.50	74	875 [413]	
	RCQD-3621(R96VA0852521MSB)	29,200 [8.6]	21,900 [6.4]	7,300 [2.1]	12.00	14.50	74	1,025 [484]	
	RCQD-3621(U96VA0852521MSB)	29,200 [8.6]	21,900 [6.4]	7,300 [2.1]	12.00	14.50	74	1,025 [484]	
	RCQD-3621(U96VA1002521MSA)	29,400 [8.6]	22,300 [6.5]	7,100 [2.1]	12.00	14.50	74	1,050 [495]	
	RCQD-3621(R96VA1002521MSA)	29,400 [8.6]	22,300 [6.5]	7,100 [2.1]	12.00	14.50	74	1,050 [495]	
	RCQD-3621(RGFE-06?MCK?)	29,000 [8.5]	21,700 [6.4]	7,300 [2.1]	11.50	14.00	74	1,000 [472]	
	RCQD-3621(RGFE-07?MCK?)	28,400 [8.3]	20,600 [6.0]	7,800 [2.3]	12.00	14.50	74	875 [413]	
	RCQD-3621(RGFE-09?ZCM?)	29,200 [8.6]	21,800 [6.4]	7,400 [2.2]	12.00	14.50	74	975 [460]	
	RCQD-3621(RGFE-10?ZCM?)	29,200 [8.6]	21,900 [6.4]	7,300 [2.1]	12.00	14.50	74	1,000 [472]	
	RCQD-3621(RGFG-06EMCKS)	29,000 [8.5]	23,200 [6.8]	5,800 [1.7]	11.50	14.00	74	1,000 [472]	
	RCQD-3621(RGFG-06NMCKS)	29,000 [8.5]	23,200 [6.8]	5,800 [1.7]	11.50	14.00	74	1,000 [472]	
	RCQD-3621(RGFG-07EMCKS)	28,800 [8.4]	21,500 [6.3]	7,300 [2.1]	11.50	13.50	74	1,000 [472]	
	RCQD-3621(RGFG-07NMCKS)	28,800 [8.4]	21,500 [6.3]	7,300 [2.1]	11.50	13.50	74	1,000 [472]	
	RCQD-3621(RGFG-09EZCMS)	29,200 [8.6]	21,800 [6.4]	7,400 [2.2]	12.00	14.50	74	975 [460]	
	RCQD-3621(RGFG-09NZCMS)	29,200 [8.6]	21,800 [6.4]	7,400 [2.2]	12.00	14.50	74	975 [460]	
	RCQD-3621(RGFG-10EZCMS)	29,200 [8.6]	23,400 [6.9]	5,800 [1.7]	12.00	14.50	74	1,000 [472]	
	RCQD-3621(RGFG-10NZCMS)	29,200 [8.6]	23,400 [6.9]	5,800 [1.7]	12.00	14.50	74	1,000 [472]	
	13AJN30	RCQD-3621(RGJF-06?MCK?)	28,800 [8.4]	21,200 [6.2]	7,600 [2.2]	12.00	14.50	74	925 [437]
		RCQD-3621(RGJF-07?MCK?)	29,000 [8.5]	21,700 [6.4]	7,300 [2.1]	11.50	14.00	74	1,025 [484]
		RCQD-3621(RGJF-09?ZCM?)	29,200 [8.6]	23,400 [6.9]	5,800 [1.7]	12.00	14.50	74	1,025 [484]
		RCQD-3621(RGJF-10?ZCM?)	29,400 [8.6]	23,800 [7.0]	5,600 [1.6]	12.00	14.50	74	1,050 [495]
		RCQD-3621(RGPE-05?BMK?)	29,000 [8.5]	21,600 [6.3]	7,400 [2.2]	11.50	14.00	74	975 [460]
		RCQD-3621(RGPE-07?AMK?)	28,800 [8.4]	22,600 [6.6]	6,200 [1.8]	12.00	14.50	74	900 [425]
		RCQD-3621(RGPE-07?BRQ?)	29,400 [8.6]	22,300 [6.5]	7,100 [2.1]	12.00	14.50	74	1,050 [495]
		RCQD-3621(RGPE-10?BRM?)	28,800 [8.4]	21,100 [6.2]	7,700 [2.3]	12.00	14.50	74	900 [425]
		RCQD-3621(RGPT-05?BMK?)	28,600 [8.4]	20,900 [6.1]	7,700 [2.3]	11.50	14.00	74	900 [425]
		RCQD-3621(RGPT-07?AMK?)	28,800 [8.4]	21,200 [6.2]	7,600 [2.2]	12.00	14.50	74	925 [437]
		RCQD-3621(RGPT-07?BRQ?)	29,400 [8.6]	22,300 [6.5]	7,100 [2.1]	12.00	14.50	74	1,050 [495]
		RCQD-3621(RGPT-10?BRM?)	29,400 [8.6]	22,300 [6.5]	7,100 [2.1]	12.00	14.50	74	1,050 [495]
		RCQD-3621(RGRM-04?MAE?)	28,600 [8.4]	21,000 [6.2]	7,600 [2.2]	11.50	14.00	74	925 [437]
		RCQD-3621(RGRM-06?MAE?)	28,600 [8.4]	22,400 [6.6]	6,200 [1.8]	11.50	14.00	74	900 [425]
		RCQD-3621(RGRM-07?MAE?)	28,600 [8.4]	21,100 [6.2]	7,500 [2.2]	11.50	13.50	74	950 [448]
		RCQD-3621(RGRM-07?YBG?)	29,000 [8.5]	21,900 [6.4]	7,100 [2.1]	11.50	13.50	74	1,050 [495]
		RCQD-3621(RGRM-09?ZAJ?)	28,800 [8.4]	21,300 [6.2]	7,500 [2.2]	11.50	14.00	74	950 [448]
		RCQD-3621(RGRM-10?ZAJ?)	29,000 [8.5]	21,700 [6.4]	7,300 [2.1]	11.50	14.00	74	1,025 [484]
RCQD-3621(RGTM-06?MAE?)		28,600 [8.4]	20,900 [6.1]	7,700 [2.3]	12.00	14.50	74	900 [425]	
RCQD-3621(RGTM-07?RBG?)		29,400 [8.6]	22,300 [6.5]	7,100 [2.1]	12.00	14.50	74	1,050 [495]	
RCQD-3621(RGTM-09?ZAJ?)		29,200 [8.6]	21,800 [6.4]	7,400 [2.2]	12.00	14.50	74	975 [460]	
RCQD-3621(RHWP-04WMX36B)		28,800 [8.4]	21,100 [6.2]	7,700 [2.3]	11.50	14.00	74	900 [425]	
RCQD-3621(RHWP-06WMX48B)		28,800 [8.4]	23,100 [6.8]	5,700 [1.7]	12.00	14.50	74	1,025 [484]	
RCQD-3621(ROCA-070E03)		29,200 [8.6]	23,400 [6.9]	5,800 [1.7]	12.00	14.50	74	1,000 [472]	
RCQD-3621(ROCA-070E04)	29,200 [8.6]	23,400 [6.9]	5,800 [1.7]	12.00	14.50	74	1,000 [472]		
RCQD-3621(ROCB-072E04)	29,000 [8.5]	21,700 [6.4]	7,300 [2.1]	12.00	14.50	74	1,000 [472]		

① Highest sales volume tested combination required by D.O.E. test procedures.

[] Designates Metric Conversions

Performance Data @ AHRI Standard Conditions—Cooling

Model Numbers		80°F [26.5°C] DB/67°F [19.5°C] WB Indoor Air 95°F [35°C] DB Outdoor Air					Sound Rating dB	Indoor CFM [L/s]
Outdoor Unit 13A*N	Indoor Coil and/or Air Handler	Total Capacity BTU/H [kW]	Net Sensible BTU/H [kW]	Net Latent BTU/H [kW]	EER	SEER		
Rev. 9/3/14	RCQD-3621(ROLA-070E03)	29,200 [8.6]	21,800 [6.4]	7,400 [2.2]	12.00	14.50	74	975 [460]
	RCQD-3621(ROLA-070E04)	29,200 [8.6]	23,400 [6.9]	5,800 [1.7]	12.00	14.50	74	1,025 [484]
	RCQD-3621(ROLA-115E05)	29,400 [8.6]	22,300 [6.5]	7,100 [2.1]	12.00	14.50	74	1,050 [495]
	RCQD-3621+RXMD-C04	28,600 [8.4]	22,900 [6.7]	5,700 [1.7]	11.00	13.00	74	1,025 [484]
	RCQD-3624(U96VA0852521MSB)	29,200 [8.6]	21,900 [6.4]	7,300 [2.1]	12.00	14.50	74	1,025 [484]
	RCQD-3624(R96VA0852521MSB)	29,200 [8.6]	21,900 [6.4]	7,300 [2.1]	12.00	14.50	74	1,025 [484]
	RCQD-3624(U96VA1002521MSA)	29,400 [8.6]	22,300 [6.5]	7,100 [2.1]	12.00	14.50	74	1,050 [495]
	RCQD-3624(R96VA1002521MSA)	29,400 [8.6]	22,300 [6.5]	7,100 [2.1]	12.00	14.50	74	1,050 [495]
	RCQD-3624(RGFE-09?ZCM?)	29,200 [8.6]	21,800 [6.4]	7,400 [2.2]	12.00	14.50	74	975 [460]
	RCQD-3624(RGFE-10?ZCM?)	29,200 [8.6]	21,900 [6.4]	7,300 [2.1]	12.00	14.50	74	1,000 [472]
	RCQD-3624(RGFE-12?RCM?)	29,200 [8.6]	21,900 [6.4]	7,300 [2.1]	12.00	14.50	74	1,025 [484]
	RCQD-3624(RGFG-09EZCMS)	29,200 [8.6]	21,800 [6.4]	7,400 [2.2]	12.00	14.50	74	975 [460]
	RCQD-3624(RGFG-09NZCMS)	29,200 [8.6]	21,800 [6.4]	7,400 [2.2]	12.00	14.50	74	975 [460]
	RCQD-3624(RGFG-10EZCMS)	29,200 [8.6]	23,400 [6.9]	5,800 [1.7]	12.00	14.50	74	1,000 [472]
	RCQD-3624(RGFG-10NZCMS)	29,200 [8.6]	23,400 [6.9]	5,800 [1.7]	12.00	14.50	74	1,000 [472]
	RCQD-3624(RGFG-12ERCMS)	29,200 [8.6]	21,900 [6.4]	7,300 [2.1]	12.00	14.50	74	1,025 [484]
	RCQD-3624(RGFG-12NRCMS)	29,200 [8.6]	21,900 [6.4]	7,300 [2.1]	12.00	14.50	74	1,025 [484]
	RCQD-3624(RGJF-09?ZCM?)	29,200 [8.6]	23,400 [6.9]	5,800 [1.7]	12.00	14.50	74	1,025 [484]
	RCQD-3624(RGJF-10?ZCM?)	29,400 [8.6]	22,300 [6.5]	7,100 [2.1]	12.00	14.50	74	1,050 [495]
	RCQD-3624(RGJF-12?RCM?)	29,400 [8.6]	22,300 [6.5]	7,100 [2.1]	12.00	14.50	74	1,050 [495]
	RCQD-3624(RGPE-07?BRQ?)	29,400 [8.6]	22,300 [6.5]	7,100 [2.1]	12.00	14.50	74	1,050 [495]
	RCQD-3624(RGPE-10?BRM?)	28,800 [8.4]	21,100 [6.2]	7,700 [2.3]	12.00	14.50	74	900 [425]
	RCQD-3624(RGPE-12?ARM?)	28,600 [8.4]	20,800 [6.1]	7,800 [2.3]	12.00	14.50	74	875 [413]
	RCQD-3624(RGPT-07?BRQ?)	29,400 [8.6]	22,300 [6.5]	7,100 [2.1]	12.00	14.50	74	1,050 [495]
	RCQD-3624(RGPT-10?BRM?)	29,400 [8.6]	22,300 [6.5]	7,100 [2.1]	12.00	14.50	74	1,050 [495]
	RCQD-3624(RGPT-12?ARM?)	29,200 [8.6]	21,800 [6.4]	7,400 [2.2]	12.00	14.50	74	975 [460]
	RCQD-3624(RGRM-07?YBG?)	29,000 [8.5]	21,900 [6.4]	7,100 [2.1]	11.50	13.50	74	1,050 [495]
	RCQD-3624(RGRM-09?ZAJ?)	29,000 [8.5]	23,000 [6.7]	6,000 [1.8]	12.00	14.50	74	950 [448]
	RCQD-3624(RGRM-10?ZAJ?)	29,000 [8.5]	21,700 [6.4]	7,300 [2.1]	12.00	14.50	74	1,025 [484]
	RCQD-3624(RGRM-12?RAJ?)	28,800 [8.4]	21,200 [6.2]	7,600 [2.2]	12.00	14.50	74	925 [437]
	RCQD-3624(RGTM-07?RBG?)	29,400 [8.6]	22,300 [6.5]	7,100 [2.1]	12.00	14.50	74	1,050 [495]
	RCQD-3624(RGTM-09?ZAJ?)	29,200 [8.6]	21,800 [6.4]	7,400 [2.2]	12.00	14.50	74	975 [460]
	RCQD-3624(RGTM-10?RBJ?)	29,200 [8.6]	21,800 [6.4]	7,400 [2.2]	12.00	14.50	74	975 [460]
	RCQD-3624(ROCA-070E03)	29,200 [8.6]	23,400 [6.9]	5,800 [1.7]	12.00	14.50	74	1,000 [472]
	RCQD-3624(ROCA-070E04)	29,200 [8.6]	23,400 [6.9]	5,800 [1.7]	12.00	14.50	74	1,000 [472]
	RCQD-3624(ROCB-072E04)	29,000 [8.5]	21,700 [6.4]	7,300 [2.1]	12.00	14.50	74	1,000 [472]
	RCQD-3624(ROLA-070E03)	29,200 [8.6]	21,800 [6.4]	7,400 [2.2]	12.00	14.50	74	975 [460]
	RCQD-3624(ROLA-070E04)	29,200 [8.6]	21,900 [6.4]	7,300 [2.1]	12.00	14.50	74	1,025 [484]
	RCQD-3624(ROLA-115E05)	29,400 [8.6]	22,300 [6.5]	7,100 [2.1]	12.00	14.50	74	1,050 [495]
	RCQD-3624+RXMD-C04	28,600 [8.4]	22,900 [6.7]	5,700 [1.7]	11.00	13.00	74	1,025 [484]
RHKL-HM3617(RCSL-H*3617)	28,000 [8.2]	20,800 [6.1]	7,200 [2.1]	11.50	14.00	74	1,025 [484]	
RHLL-HM3617(RCSL-H*3617)	28,000 [8.2]	20,800 [6.1]	7,200 [2.1]	11.50	14.00	74	1,000 [472]	
RHSL-HM3017(RCSL-H*3617)	27,600 [8.1]	20,400 [6.0]	7,200 [2.1]	11.00	13.00	74	975 [460]	
RHKL-HM3821(RCSL-H*3821)	29,800 [8.7]	23,100 [6.8]	6,700 [2.0]	12.50	15.00	74	1,000 [472]	
RHLL-HM3821(RCSL-H*3821)	29,200 [8.6]	21,800 [6.4]	7,400 [2.2]	12.50	15.00	74	975 [460]	
13AJN36	RCFL-H*3617 ①	34,200 [10.0]	24,000 [7.0]	10,200 [3.0]	11.00	13.00	74	1,000 [472]
	RH1P3017STAN	33,200 [9.7]	22,200 [6.5]	11,000 [3.2]	11.00	13.00	74	950 [448]
	RH1T3617STAN	34,000 [10.0]	23,200 [6.8]	10,800 [3.2]	11.50	13.50	74	1,000 [472]
	RH1T3621MTAN	36,400 [10.7]	25,100 [7.4]	11,300 [3.3]	12.00	14.50	74	1,000 [472]
	RH1V3617STAN	34,000 [10.0]	23,200 [6.8]	10,800 [3.2]	11.50	13.50	74	1,025 [484]

① Highest sales volume tested combination required by D.O.E. test procedures.

[] Designates Metric Conversions

Performance Data @ AHRI Standard Conditions—Cooling

Model Numbers		80°F [26.5°C] DB/67°F [19.5°C] WB Indoor Air 95°F [35°C] DB Outdoor Air					Sound Rating dB	Indoor CFM [L/s]
Outdoor Unit 13A*N	Indoor Coil and/or Air Handler	Total Capacity BTU/H [kW]	Net Sensible BTU/H [kW]	Net Latent BTU/H [kW]	EER	SEER		
Rev. 9/3/14	RH1V3621MTAN	37,600 [11.0]	27,200 [8.0]	10,400 [3.0]	12.00	14.50	74	1,200 [566]
	RHAL-FR36P	34,800 [10.2]	26,200 [7.7]	8,500 [2.5]	11.00	13.00	74	1,175 [554]
	RHAL-FR36T	34,600 [10.1]	26,100 [7.6]	8,500 [2.5]	11.00	13.00	74	1,175 [554]
	RHBL-FR36T	34,600 [10.1]	26,100 [7.6]	8,500 [2.5]	11.50	14.00	74	1,150 [543]
	RCFL-A*3617	34,200 [10.0]	23,950 [7.0]	10,250 [3.0]	11.00	13.00	74	1,000 [472]
	RCFL-A*3617(R95TA0401317MSA)	34,800 [10.2]	24,800 [7.3]	10,000 [2.9]	11.50	13.50	74	1,050 [495]
	RCFL-A*3617(R95TA0601317MSA)	34,400 [10.1]	24,200 [7.1]	10,200 [3.0]	11.00	13.00	74	1,000 [472]
	RCFL-A*3617(R95TA0701317MSA)	34,200 [10.0]	24,000 [7.0]	10,200 [3.0]	11.00	13.00	74	1,025 [484]
	RCFL-A*3617(R96VA0602317MSA)	34,600 [10.1]	24,600 [7.2]	10,000 [2.9]	11.00	13.00	74	1,050 [495]
	RCFL-A*3617(U96VA0602317MSA)	34,600 [10.1]	24,600 [7.2]	10,000 [2.9]	11.00	13.00	74	1,050 [495]
	RCFL-A*3617(U96VA0702317MSA)	34,600 [10.1]	24,600 [7.2]	10,000 [2.9]	11.00	13.00	74	1,050 [495]
	RCFL-A*3617(R96VA0702317MSA)	34,600 [10.1]	24,600 [7.2]	10,000 [2.9]	11.00	13.00	74	1,050 [495]
	RCFL-A*3617(RGFE-06?MCK?)	34,400 [10.1]	24,200 [7.1]	10,200 [3.0]	11.00	13.00	74	1,000 [472]
	RCFL-A*3617(RGFE-07?MCK?)	34,400 [10.1]	24,000 [7.0]	10,400 [3.0]	11.00	13.00	74	1,025 [484]
	RCFL-A*3617(RGFG-06EMCKS)	34,400 [10.1]	24,200 [7.1]	10,200 [3.0]	11.00	13.00	74	1,000 [472]
	RCFL-A*3617(RGFG-06NMCKS)	34,400 [10.1]	24,200 [7.1]	10,200 [3.0]	11.00	13.00	74	1,000 [472]
	RCFL-A*3617(RGFG-07EMCKS)	34,400 [10.1]	24,000 [7.0]	10,400 [3.0]	11.00	13.00	74	1,000 [472]
	RCFL-A*3617(RGFG-07NMCKS)	34,400 [10.1]	24,000 [7.0]	10,400 [3.0]	11.00	13.00	74	1,000 [472]
	RCFL-A*3617(RGGE-06?MCK?)	34,400 [10.1]	24,200 [7.1]	10,200 [3.0]	11.50	13.00	74	1,025 [484]
	RCFL-A*3617(RGGE-07?MCK?)	34,600 [10.1]	24,200 [7.1]	10,400 [3.0]	11.50	13.00	74	1,025 [484]
	RCFL-A*3617(RGJF-06?MCK?)	34,400 [10.1]	24,200 [7.1]	10,200 [3.0]	11.50	13.00	74	1,025 [484]
	RCFL-A*3617(RGLE-07?AMK?)	34,600 [10.1]	24,200 [7.1]	10,400 [3.0]	11.50	13.50	74	1,025 [484]
	RCFL-A*3617(RGLT-07?AMK?)	34,800 [10.2]	24,800 [7.3]	10,000 [2.9]	11.50	13.50	74	1,050 [495]
	RCFL-A*3617(RGPE-05?BMK?)	34,200 [10.0]	23,900 [7.0]	10,300 [3.0]	11.50	13.00	74	975 [460]
	RCFL-A*3617(RGPE-07?AMK?)	34,400 [10.1]	24,200 [7.1]	10,200 [3.0]	11.50	13.50	74	1,000 [472]
	RCFL-A*3617(RGPT-05?BMK?)	34,600 [10.1]	24,600 [7.2]	10,000 [2.9]	11.50	13.00	74	1,050 [495]
	RCFL-A*3617(RGPT-07?AMK?)	34,600 [10.1]	24,600 [7.2]	10,000 [2.9]	11.50	13.00	74	1,050 [495]
	RCFL-A*3617(RGRM-04?MAE?)	34,200 [10.0]	24,000 [7.0]	10,200 [3.0]	11.50	13.00	74	1,025 [484]
	RCFL-A*3617(RGRM-06?MAE?)	34,400 [10.1]	24,200 [7.1]	10,200 [3.0]	11.50	13.00	74	1,000 [472]
	RCFL-A*3617(RGRM-07?MAE?)	34,000 [10.0]	23,600 [6.9]	10,400 [3.0]	11.00	13.00	74	950 [448]
	RCFL-A*3617(RGTM-06?MAE?)	34,800 [10.2]	24,800 [7.3]	10,000 [2.9]	11.00	13.00	74	1,075 [507]
	RCFL-A*3617(RHWP-04WWMX36B)	35,200 [10.3]	25,600 [7.5]	9,600 [2.8]	11.00	13.00	74	1,150 [543]
	RCFL-A*3617(RHWP-06WWMX48B)	34,400 [10.1]	24,100 [7.1]	10,300 [3.0]	11.00	13.00	74	975 [460]
	RCFL-A*3617(ROCA-070E03)	34,600 [10.1]	24,200 [7.1]	10,400 [3.0]	11.50	13.50	74	1,000 [472]
	RCFL-A*3617(ROCA-070E04)	34,600 [10.1]	24,200 [7.1]	10,400 [3.0]	11.50	13.50	74	1,000 [472]
	RCFL-A*3617(ROLA-070E03)	34,400 [10.1]	24,100 [7.1]	10,300 [3.0]	11.50	13.50	74	975 [460]
	RCFL-A*3617(ROLA-070E04)	34,600 [10.1]	24,200 [7.1]	10,400 [3.0]	11.50	13.50	74	1,025 [484]
	RCFL-A*3621	34,200 [10.0]	23,950 [7.0]	10,250 [3.0]	11.00	13.00	74	1,000 [472]
	RCFL-A*3621(R95TA0401317MSA)	35,000 [10.3]	25,100 [7.4]	9,900 [2.9]	11.50	13.50	74	1,075 [507]
	RCFL-A*3621(R95TA0601317MSA)	34,400 [10.1]	24,200 [7.1]	10,200 [3.0]	11.00	13.00	74	1,025 [484]
RCFL-A*3621(R95TA0701317MSA)	34,200 [10.0]	24,000 [7.0]	10,200 [3.0]	11.50	13.00	74	1,025 [484]	
RCFL-A*3621(R96VA0602317MSA)	34,600 [10.1]	24,600 [7.2]	10,000 [2.9]	11.00	13.00	74	1,050 [495]	
RCFL-A*3621(U96VA0602317MSA)	34,600 [10.1]	24,600 [7.2]	10,000 [2.9]	11.00	13.00	74	1,050 [495]	
RCFL-A*3621(U96VA0702317MSA)	34,600 [10.1]	24,600 [7.2]	10,000 [2.9]	11.00	13.00	74	1,050 [495]	
RCFL-A*3621(R96VA0702317MSA)	34,600 [10.1]	24,600 [7.2]	10,000 [2.9]	11.00	13.00	74	1,050 [495]	
RCFL-A*3621(U96VA0852521MSB)	34,600 [10.1]	24,400 [7.1]	10,200 [3.0]	11.50	13.50	74	1,025 [484]	
RCFL-A*3621(R96VA0852521MSB)	34,600 [10.1]	24,400 [7.1]	10,200 [3.0]	11.50	13.50	74	1,025 [484]	
RCFL-A*3621(U96VA1002521MSA)	34,800 [10.2]	24,800 [7.3]	10,000 [2.9]	11.50	13.50	74	1,050 [495]	
RCFL-A*3621(R96VA1002521MSA)	34,800 [10.2]	24,800 [7.3]	10,000 [2.9]	11.50	13.50	74	1,050 [495]	
RCFL-A*3621(RGFE-06?MCK?)	34,400 [10.1]	24,200 [7.1]	10,200 [3.0]	11.50	13.00	74	1,000 [472]	

① Highest sales volume tested combination required by D.O.E. test procedures.

[] Designates Metric Conversions

Performance Data @ AHRI Standard Conditions—Cooling

Model Numbers		80°F [26.5°C] DB/67°F [19.5°C] WB Indoor Air 95°F [35°C] DB Outdoor Air					Sound Rating dB	Indoor CFM [L/s]
Outdoor Unit 13A*N	Indoor Coil and/or Air Handler	Total Capacity BTU/H [kW]	Net Sensible BTU/H [kW]	Net Latent BTU/H [kW]	EER	SEER		
Rev. 9/3/14	RCFL-A*3621(RGFE-07?MCK?)	34,400 [10.1]	24,200 [7.1]	10,200 [3.0]	11.00	13.00	74	1,025 [484]
	RCFL-A*3621(RGFE-09?ZCM?)	34,600 [10.1]	24,200 [7.1]	10,400 [3.0]	11.50	13.50	74	1,025 [484]
	RCFL-A*3621(RGFE-10?ZCM?)	34,400 [10.1]	24,200 [7.1]	10,200 [3.0]	11.50	13.50	74	1,025 [484]
	RCFL-A*3621(RGFG-06EMCKS)	34,400 [10.1]	24,200 [7.1]	10,200 [3.0]	11.00	13.00	74	1,000 [472]
	RCFL-A*3621(RGFG-06NMCKS)	34,400 [10.1]	24,200 [7.1]	10,200 [3.0]	11.00	13.00	74	1,000 [472]
	RCFL-A*3621(RGFG-07EMCKS)	34,400 [10.1]	24,200 [7.1]	10,200 [3.0]	11.00	13.00	74	1,000 [472]
	RCFL-A*3621(RGFG-07NMCKS)	34,400 [10.1]	24,200 [7.1]	10,200 [3.0]	11.00	13.00	74	1,000 [472]
	RCFL-A*3621(RGFG-09EZCMS)	34,600 [10.1]	24,200 [7.1]	10,400 [3.0]	11.50	13.50	74	1,025 [484]
	RCFL-A*3621(RGFG-09NZCMS)	34,600 [10.1]	24,200 [7.1]	10,400 [3.0]	11.50	13.50	74	1,025 [484]
	RCFL-A*3621(RGFG-10EZCMS)	34,800 [10.2]	24,800 [7.3]	10,000 [2.9]	11.50	13.50	74	1,050 [495]
	RCFL-A*3621(RGFG-10NZCMS)	34,800 [10.2]	24,800 [7.3]	10,000 [2.9]	11.50	13.50	74	1,050 [495]
	RCFL-A*3621(RGGE-06?MCK?)	34,400 [10.1]	24,200 [7.1]	10,200 [3.0]	11.50	13.50	74	1,025 [484]
	RCFL-A*3621(RGGE-07?MCK?)	34,400 [10.1]	24,200 [7.1]	10,200 [3.0]	11.50	13.00	74	1,025 [484]
	RCFL-A*3621(RGGE-09?ZCM?)	34,600 [10.1]	24,400 [7.1]	10,200 [3.0]	11.50	13.50	74	1,000 [472]
	RCFL-A*3621(RGGE-10?ZCM?)	34,800 [10.2]	24,800 [7.3]	10,000 [2.9]	11.50	13.50	74	1,050 [495]
	RCFL-A*3621(RGJF-06?MCK?)	34,400 [10.1]	24,200 [7.1]	10,200 [3.0]	11.50	13.50	74	1,025 [484]
	RCFL-A*3621(RGLE-07?AMK?)	34,600 [10.1]	24,200 [7.1]	10,400 [3.0]	11.50	13.50	74	1,025 [484]
	RCFL-A*3621(RGLE-07?BRQ?)	34,600 [10.1]	24,400 [7.1]	10,200 [3.0]	11.50	13.50	74	1,025 [484]
	RCFL-A*3621(RGLE-10?BRM?)	35,000 [10.3]	25,000 [7.3]	10,000 [2.9]	11.50	14.00	74	1,050 [495]
	RCFL-A*3621(RGLT-07?AMK?)	35,000 [10.3]	25,000 [7.3]	10,000 [2.9]	11.50	13.50	74	1,075 [507]
	RCFL-A*3621(RGLT-07?BRQ?)	34,800 [10.2]	24,600 [7.2]	10,200 [3.0]	11.50	14.00	74	975 [460]
	RCFL-A*3621(RGLT-10?BRM?)	34,600 [10.1]	24,300 [7.1]	10,300 [3.0]	11.50	14.00	74	975 [460]
	RCFL-A*3621(RGPE-05?BMK?)	34,400 [10.1]	24,100 [7.1]	10,300 [3.0]	11.50	13.50	74	975 [460]
	RCFL-A*3621(RGPE-07?AMK?)	34,600 [10.1]	24,400 [7.1]	10,200 [3.0]	11.50	13.50	74	1,000 [472]
	RCFL-A*3621(RGPE-07?BRQ?)	35,000 [10.3]	25,000 [7.3]	10,000 [2.9]	11.50	13.50	74	1,050 [495]
	RCFL-A*3621(RGPE-10?BRM?)	35,200 [10.3]	25,000 [7.3]	10,200 [3.0]	11.50	14.00	74	1,075 [507]
	RCFL-A*3621(RGPT-05?BMK?)	34,600 [10.1]	24,600 [7.2]	10,000 [2.9]	11.50	13.00	74	1,050 [495]
	RCFL-A*3621(RGPT-07?AMK?)	34,800 [10.2]	24,800 [7.3]	10,000 [2.9]	11.50	13.50	74	1,050 [495]
	RCFL-A*3621(RGPT-07?BRQ?)	34,600 [10.1]	24,300 [7.1]	10,300 [3.0]	11.50	14.00	74	975 [460]
	RCFL-A*3621(RGPT-10?BRM?)	34,600 [10.1]	24,300 [7.1]	10,300 [3.0]	11.50	14.00	74	975 [460]
	RCFL-A*3621(RGRM-04?MAE?)	34,200 [10.0]	24,000 [7.0]	10,200 [3.0]	11.50	13.00	74	1,025 [484]
	RCFL-A*3621(RGRM-06?MAE?)	34,400 [10.1]	24,200 [7.1]	10,200 [3.0]	11.00	13.00	74	1,000 [472]
	RCFL-A*3621(RGRM-07?MAE?)	34,000 [10.0]	23,600 [6.9]	10,400 [3.0]	11.00	13.00	74	950 [448]
	RCFL-A*3621(RGRM-07?YBG?)	34,400 [10.1]	24,000 [7.0]	10,400 [3.0]	11.00	13.00	74	975 [460]
	RCFL-A*3621(RGRM-09?ZAJ?)	34,800 [10.2]	24,900 [7.3]	9,900 [2.9]	11.50	13.00	74	1,075 [507]
	RCFL-A*3621(RGRM-10?ZAJ?)	34,400 [10.1]	24,200 [7.1]	10,200 [3.0]	11.50	13.00	74	1,025 [484]
	RCFL-A*3621(RGTM-06?MAE?)	34,800 [10.2]	24,900 [7.3]	9,900 [2.9]	11.50	13.00	74	1,075 [507]
	RCFL-A*3621(RGTM-07?RBG?)	35,200 [10.3]	25,500 [7.5]	9,700 [2.8]	11.50	13.50	74	1,125 [531]
	RCFL-A*3621(RGTM-09?ZAJ?)	35,200 [10.3]	25,200 [7.4]	10,000 [2.9]	11.50	13.50	74	1,100 [519]
	RCFL-A*3621(RHWP-04VMMX36B)	34,600 [10.1]	24,400 [7.1]	10,200 [3.0]	11.50	13.50	74	1,025 [484]
RCFL-A*3621(ROCA-070E03)	34,600 [10.1]	24,200 [7.1]	10,400 [3.0]	11.50	13.50	74	1,000 [472]	
RCFL-A*3621(ROCA-070E04)	34,600 [10.1]	24,200 [7.1]	10,400 [3.0]	11.50	13.50	74	1,000 [472]	
RCFL-A*3621(ROCB-072E04)	34,400 [10.1]	24,200 [7.1]	10,200 [3.0]	11.50	13.50	74	1,000 [472]	
RCFL-A*3621(ROLA-070E03)	34,600 [10.1]	24,300 [7.1]	10,300 [3.0]	11.50	13.50	74	975 [460]	
RCFL-A*3621(ROLA-070E04)	34,600 [10.1]	24,200 [7.1]	10,400 [3.0]	11.50	13.50	74	1,025 [484]	
RCFL-A*3621(ROLA-115E05)	35,000 [10.3]	24,800 [7.3]	10,200 [3.0]	11.50	13.50	74	1,050 [495]	
RCFL-A*3821	34,400 [10.1]	24,500 [7.2]	9,900 [2.9]	11.00	13.00	74	1,000 [472]	
RCFL-A*3821(R95TA0401317MSA)	36,400 [10.7]	26,500 [7.8]	9,900 [2.9]	11.50	13.50	74	1,100 [519]	
RCFL-A*3821(R95TA0601317MSA)	36,000 [10.5]	25,900 [7.6]	10,100 [3.0]	11.50	13.50	74	1,050 [495]	
RCFL-A*3821(R95TA0701317MSA)	36,000 [10.5]	26,000 [7.6]	10,000 [2.9]	11.50	13.50	74	1,075 [507]	

① Highest sales volume tested combination required by D.O.E. test procedures.

[] Designates Metric Conversions

Performance Data @ AHRI Standard Conditions—Cooling

Model Numbers		80°F [26.5°C] DB/67°F [19.5°C] WB Indoor Air 95°F [35°C] DB Outdoor Air					Sound Rating dB	Indoor CFM [L/s]
Outdoor Unit 13A*N	Indoor Coil and/or Air Handler	Total Capacity BTU/H [kW]	Net Sensible BTU/H [kW]	Net Latent BTU/H [kW]	EER	SEER		
Rev. 9/3/14	RCFL-A*3821(R96VA0602317MSA)	36,000 [10.5]	25,900 [7.6]	10,100 [3.0]	11.50	13.50	74	1,050 [495]
	RCFL-A*3821(U96VA0602317MSA)	36,000 [10.5]	25,900 [7.6]	10,100 [3.0]	11.50	13.50	74	1,050 [495]
	RCFL-A*3821(U96VA0702317MSA)	36,000 [10.5]	25,900 [7.6]	10,100 [3.0]	11.50	13.50	74	1,050 [495]
	RCFL-A*3821(R96VA0702317MSA)	36,000 [10.5]	25,900 [7.6]	10,100 [3.0]	11.50	13.50	74	1,050 [495]
	RCFL-A*3821(U96VA0852521MSB)	36,000 [10.5]	25,700 [7.5]	10,300 [3.0]	11.50	14.00	74	1,025 [484]
	RCFL-A*3821(R96VA0852521MSB)	36,000 [10.5]	25,700 [7.5]	10,300 [3.0]	11.50	14.00	74	1,025 [484]
	RCFL-A*3821(U96VA1002521MSA)	36,200 [10.6]	26,100 [7.6]	10,100 [3.0]	11.50	14.00	74	1,050 [495]
	RCFL-A*3821(R96VA1002521MSA)	36,200 [10.6]	26,100 [7.6]	10,100 [3.0]	11.50	14.00	74	1,050 [495]
	RCFL-A*3821(RGFE-06?MCK?)	35,800 [10.5]	25,500 [7.5]	10,300 [3.0]	11.50	14.00	74	1,000 [472]
	RCFL-A*3821(RGFE-07?MCK?)	35,600 [10.4]	25,300 [7.4]	10,300 [3.0]	11.50	13.50	74	1,025 [484]
	RCFL-A*3821(RGFE-09?ZCM?)	35,800 [10.5]	25,500 [7.5]	10,300 [3.0]	11.50	14.00	74	1,025 [484]
	RCFL-A*3821(RGFE-10?ZCM?)	35,800 [10.5]	25,500 [7.5]	10,300 [3.0]	11.50	14.00	74	1,025 [484]
	RCFL-A*3821(RGFG-06EMCKS)	35,800 [10.5]	25,500 [7.5]	10,300 [3.0]	11.50	14.00	74	1,000 [472]
	RCFL-A*3821(RGFG-06NMCKS)	35,800 [10.5]	25,500 [7.5]	10,300 [3.0]	11.50	14.00	74	1,000 [472]
	RCFL-A*3821(RGFG-07EMCKS)	35,600 [10.4]	25,300 [7.4]	10,300 [3.0]	11.50	13.50	74	1,000 [472]
	RCFL-A*3821(RGFG-07NMCKS)	35,600 [10.4]	25,300 [7.4]	10,300 [3.0]	11.50	13.50	74	1,000 [472]
	RCFL-A*3821(RGFG-09EZCMS)	35,800 [10.5]	25,500 [7.5]	10,300 [3.0]	11.50	14.00	74	1,025 [484]
	RCFL-A*3821(RGFG-09NZCMS)	35,800 [10.5]	25,500 [7.5]	10,300 [3.0]	11.50	14.00	74	1,025 [484]
	RCFL-A*3821(RGFG-10EZCMS)	36,200 [10.6]	26,100 [7.6]	10,100 [3.0]	11.50	14.00	74	1,050 [495]
	RCFL-A*3821(RGFG-10NZCMS)	36,200 [10.6]	26,100 [7.6]	10,100 [3.0]	11.50	14.00	74	1,050 [495]
	RCFL-A*3821(RGGE-06?MCK?)	35,800 [10.5]	25,500 [7.5]	10,300 [3.0]	11.50	14.00	74	1,025 [484]
	RCFL-A*3821(RGGE-07?MCK?)	35,800 [10.5]	25,500 [7.5]	10,300 [3.0]	11.50	14.00	74	1,025 [484]
	RCFL-A*3821(RGGE-09?ZCM?)	36,000 [10.5]	25,700 [7.5]	10,300 [3.0]	12.00	14.50	74	1,000 [472]
	RCFL-A*3821(RGGE-10?ZCM?)	36,200 [10.6]	26,100 [7.6]	10,100 [3.0]	11.50	14.00	74	1,050 [495]
	RCFL-A*3821(RGJF-06?MCK?)	35,800 [10.5]	25,500 [7.5]	10,300 [3.0]	11.50	14.00	74	1,025 [484]
	RCFL-A*3821(RGLE-07?AMK?)	36,000 [10.5]	25,700 [7.5]	10,300 [3.0]	11.50	14.00	74	1,025 [484]
	RCFL-A*3821(RGLE-07?BRQ?)	36,000 [10.5]	25,700 [7.5]	10,300 [3.0]	11.50	14.00	74	1,025 [484]
	RCFL-A*3821(RGLE-10?BRM?)	36,400 [10.7]	26,300 [7.7]	10,100 [3.0]	12.00	14.50	74	1,050 [495]
	RCFL-A*3821(RGLT-07?BRQ?)	36,000 [10.5]	25,700 [7.5]	10,300 [3.0]	12.00	14.50	74	1,025 [484]
	RCFL-A*3821(RGLT-10?BRM?)	36,000 [10.5]	25,700 [7.5]	10,300 [3.0]	12.00	14.50	74	1,025 [484]
	RCFL-A*3821(RGPE-07?AMK?)	35,800 [10.5]	25,500 [7.5]	10,300 [3.0]	11.50	14.00	74	1,000 [472]
	RCFL-A*3821(RGPE-07?BRQ?)	36,200 [10.6]	26,100 [7.6]	10,100 [3.0]	12.00	14.50	74	1,050 [495]
	RCFL-A*3821(RGPE-10?BRM?)	36,400 [10.7]	26,400 [7.7]	10,000 [2.9]	12.00	14.50	74	1,075 [507]
	RCFL-A*3821(RGPT-05?BMK?)	36,200 [10.6]	26,200 [7.7]	10,000 [2.9]	11.50	13.50	74	1,075 [507]
	RCFL-A*3821(RGPT-07?AMK?)	36,400 [10.7]	26,500 [7.8]	9,900 [2.9]	11.50	14.00	74	1,100 [519]
	RCFL-A*3821(RGPT-07?BRQ?)	36,000 [10.5]	25,700 [7.5]	10,300 [3.0]	12.00	14.50	74	1,025 [484]
	RCFL-A*3821(RGPT-10?BRM?)	36,000 [10.5]	25,700 [7.5]	10,300 [3.0]	12.00	14.50	74	1,025 [484]
	RCFL-A*3821(RGRM-04?MAE?)	35,600 [10.4]	25,300 [7.4]	10,300 [3.0]	11.50	13.50	74	1,025 [484]
	RCFL-A*3821(RGRM-06?MAE?)	35,600 [10.4]	25,300 [7.4]	10,300 [3.0]	11.50	13.50	74	1,000 [472]
	RCFL-A*3821(RGRM-07?MAE?)	35,400 [10.4]	25,100 [7.4]	10,300 [3.0]	11.50	13.00	74	1,025 [484]
RCFL-A*3821(RGRM-07?YBG?)	35,800 [10.5]	25,700 [7.5]	10,100 [3.0]	11.50	13.50	74	1,050 [495]	
RCFL-A*3821(RGRM-09?ZAJ?)	36,200 [10.6]	26,200 [7.7]	10,000 [2.9]	11.50	14.00	74	1,075 [507]	
RCFL-A*3821(RGRM-10?ZAJ?)	35,800 [10.5]	25,500 [7.5]	10,300 [3.0]	11.50	14.00	74	1,025 [484]	
RCFL-A*3821(RGTM-06?MAE?)	36,200 [10.6]	26,200 [7.7]	10,000 [2.9]	11.50	14.00	74	1,075 [507]	
RCFL-A*3821(RGTM-07?RBG?)	36,200 [10.6]	26,100 [7.6]	10,100 [3.0]	12.00	14.50	74	1,050 [495]	
RCFL-A*3821(RGTM-09?ZAJ?)	36,600 [10.7]	26,700 [7.8]	9,900 [2.9]	11.50	14.00	74	1,100 [519]	
RCFL-A*3821(RHWB-04WMMX36B)	36,400 [10.7]	26,400 [7.7]	10,000 [2.9]	11.50	14.00	74	1,075 [507]	
RCFL-A*3821(RHWB-06WMMX48B)	36,000 [10.5]	25,700 [7.5]	10,300 [3.0]	11.50	14.00	74	1,025 [484]	
RCFL-A*3821(ROCA-070E03)	36,000 [10.5]	25,700 [7.5]	10,300 [3.0]	11.50	14.00	74	1,000 [472]	
RCFL-A*3821(ROCA-070E04)	36,000 [10.5]	25,700 [7.5]	10,300 [3.0]	11.50	14.00	74	1,000 [472]	

① Highest sales volume tested combination required by D.O.E. test procedures.

[] Designates Metric Conversions

Performance Data @ AHRI Standard Conditions—Cooling

Model Numbers		80°F [26.5°C] DB/67°F [19.5°C] WB Indoor Air 95°F [35°C] DB Outdoor Air					Sound Rating dB	Indoor CFM [L/s]
Outdoor Unit 13A*N	Indoor Coil and/or Air Handler	Total Capacity BTU/H [kW]	Net Sensible BTU/H [kW]	Net Latent BTU/H [kW]	EER	SEER		
Rev. 9/3/14	RCFL-A*3821(ROCB-072E04)	35,800 [10.5]	25,500 [7.5]	10,300 [3.0]	11.50	14.00	74	1,000 [472]
	RCFL-A*3821(ROLA-070E04)	36,000 [10.5]	25,700 [7.5]	10,300 [3.0]	12.00	14.50	74	1,025 [484]
	RCFL-A*3821(ROLA-115E05)	36,200 [10.6]	26,100 [7.6]	10,100 [3.0]	12.00	14.50	74	1,050 [495]
	RCFL-A*3824	34,400 [10.1]	24,500 [7.2]	9,900 [2.9]	11.00	13.00	74	1,000 [472]
	RCFL-A*3824(R96VA0852521MSB)	36,000 [10.5]	25,700 [7.5]	10,300 [3.0]	11.50	14.00	74	1,025 [484]
	RCFL-A*3824(U96VA0852521MSB)	36,000 [10.5]	25,700 [7.5]	10,300 [3.0]	11.50	14.00	74	1,025 [484]
	RCFL-A*3824(U96VA1002521MSA)	36,200 [10.6]	26,100 [7.6]	10,100 [3.0]	11.50	14.00	74	1,050 [495]
	RCFL-A*3824(R96VA1002521MSA)	36,200 [10.6]	26,100 [7.6]	10,100 [3.0]	11.50	14.00	74	1,050 [495]
	RCFL-A*3824(RGFE-09?ZCM?)	35,800 [10.5]	25,500 [7.5]	10,300 [3.0]	11.50	14.00	74	1,025 [484]
	RCFL-A*3824(RGFE-10?ZCM?)	35,800 [10.5]	25,500 [7.5]	10,300 [3.0]	11.50	14.00	74	1,025 [484]
	RCFL-A*3824(RGFE-12?RCM?)	36,000 [10.5]	25,700 [7.5]	10,300 [3.0]	11.50	14.00	74	1,025 [484]
	RCFL-A*3824(RGFG-09EZCMS)	35,800 [10.5]	25,500 [7.5]	10,300 [3.0]	11.50	14.00	74	1,025 [484]
	RCFL-A*3824(RGFG-09NZCMS)	35,800 [10.5]	25,500 [7.5]	10,300 [3.0]	11.50	14.00	74	1,025 [484]
	RCFL-A*3824(RGFG-10EZCMS)	36,200 [10.6]	26,100 [7.6]	10,100 [3.0]	11.50	14.00	74	1,050 [495]
	RCFL-A*3824(RGFG-10NZCMS)	36,200 [10.6]	26,100 [7.6]	10,100 [3.0]	11.50	14.00	74	1,050 [495]
	RCFL-A*3824(RGFG-12ERCMS)	36,000 [10.5]	25,700 [7.5]	10,300 [3.0]	11.50	14.00	74	1,025 [484]
	RCFL-A*3824(RGFG-12NRCMS)	36,000 [10.5]	25,700 [7.5]	10,300 [3.0]	11.50	14.00	74	1,025 [484]
	RCFL-A*3824(RGGE-09?ZCM?)	36,000 [10.5]	25,700 [7.5]	10,300 [3.0]	12.00	14.50	74	1,000 [472]
	RCFL-A*3824(RGGE-10?ZCM?)	36,200 [10.6]	26,100 [7.6]	10,100 [3.0]	11.50	14.00	74	1,050 [495]
	RCFL-A*3824(RGGE-12?RCM?)	36,400 [10.7]	26,300 [7.7]	10,100 [3.0]	12.00	14.50	74	1,050 [495]
	RCFL-A*3824(RGLE-07?BRQ?)	36,000 [10.5]	25,700 [7.5]	10,300 [3.0]	11.50	14.00	74	1,025 [484]
	RCFL-A*3824(RGLE-10?BRM?)	36,400 [10.7]	26,300 [7.7]	10,100 [3.0]	12.00	14.50	74	1,050 [495]
	RCFL-A*3824(RGLE-12?ARM?)	36,600 [10.7]	26,600 [7.8]	10,000 [2.9]	12.00	14.50	74	1,075 [507]
	RCFL-A*3824(RGLT-07?BRQ?)	36,400 [10.7]	26,300 [7.7]	10,100 [3.0]	12.00	14.50	74	1,050 [495]
	RCFL-A*3824(RGLT-10?BRM?)	36,400 [10.7]	26,300 [7.7]	10,100 [3.0]	12.00	14.50	74	1,050 [495]
	RCFL-A*3824(RGLT-12?ARM?)	37,000 [10.8]	27,300 [8.0]	9,700 [2.8]	12.00	14.50	74	1,150 [543]
	RCFL-A*3824(RGPE-07?BRQ?)	36,400 [10.7]	26,300 [7.7]	10,100 [3.0]	12.00	14.50	74	1,050 [495]
	RCFL-A*3824(RGPE-10?BRM?)	36,400 [10.7]	26,400 [7.7]	10,000 [2.9]	12.00	14.50	74	1,075 [507]
	RCFL-A*3824(RGPE-12?ARM?)	36,600 [10.7]	26,600 [7.8]	10,000 [2.9]	12.00	14.50	74	1,075 [507]
	RCFL-A*3824(RGPT-07?BRQ?)	36,000 [10.5]	25,700 [7.5]	10,300 [3.0]	12.00	14.50	74	1,025 [484]
	RCFL-A*3824(RGPT-10?BRM?)	36,000 [10.5]	25,700 [7.5]	10,300 [3.0]	12.00	14.50	74	1,025 [484]
	RCFL-A*3824(RGRM-07?YBG?)	35,800 [10.5]	25,700 [7.5]	10,100 [3.0]	11.50	13.50	74	1,050 [495]
	RCFL-A*3824(RGRM-09?ZAJ?)	36,200 [10.6]	26,200 [7.7]	10,000 [2.9]	11.50	14.00	74	1,075 [507]
	RCFL-A*3824(RGRM-10?ZAJ?)	35,800 [10.5]	25,500 [7.5]	10,300 [3.0]	11.50	14.00	74	1,025 [484]
	RCFL-A*3824(RGRM-12?RAJ?)	36,400 [10.7]	26,400 [7.7]	10,000 [2.9]	11.50	14.00	74	1,075 [507]
	RCFL-A*3824(RGTM-07?RBG?)	36,200 [10.6]	26,100 [7.6]	10,100 [3.0]	12.00	14.50	74	1,050 [495]
	RCFL-A*3824(RGTM-09?ZAJ?)	36,600 [10.7]	26,700 [7.8]	9,900 [2.9]	11.50	14.00	74	1,100 [519]
	RCFL-A*3824(RGTM-10?RBJ?)	36,600 [10.7]	26,800 [7.9]	9,800 [2.9]	12.00	14.50	74	1,125 [531]
	RCFL-A*3824(ROCA-070E03)	36,000 [10.5]	25,700 [7.5]	10,300 [3.0]	11.50	14.00	74	1,000 [472]
	RCFL-A*3824(ROCA-070E04)	36,000 [10.5]	25,700 [7.5]	10,300 [3.0]	11.50	14.00	74	1,000 [472]
RCFL-A*3824(ROCB-072E04)	35,800 [10.5]	25,500 [7.5]	10,300 [3.0]	11.50	14.00	74	1,000 [472]	
RCFL-A*3824(ROLA-070E04)	36,000 [10.5]	25,700 [7.5]	10,300 [3.0]	12.00	14.50	74	1,025 [484]	
RCFL-A*3824(ROLA-115E05)	36,200 [10.6]	26,100 [7.6]	10,100 [3.0]	12.00	14.50	74	1,050 [495]	
RCFL-H*3617(R95TA0401317MSA)	34,800 [10.2]	24,800 [7.3]	10,000 [2.9]	11.50	13.50	74	1,050 [495]	
RCFL-H*3617(R95TA0601317MSA)	34,400 [10.1]	24,200 [7.1]	10,200 [3.0]	11.00	13.00	74	1,000 [472]	
RCFL-H*3617(R95TA0701317MSA)	34,200 [10.0]	24,000 [7.0]	10,200 [3.0]	11.00	13.00	74	1,025 [484]	
RCFL-H*3617(R96VA0602317MSA)	34,600 [10.1]	24,600 [7.2]	10,000 [2.9]	11.00	13.00	74	1,050 [495]	
RCFL-H*3617(U96VA0602317MSA)	34,600 [10.1]	24,600 [7.2]	10,000 [2.9]	11.00	13.00	74	1,050 [495]	
RCFL-H*3617(R96VA0702317MSA)	34,600 [10.1]	24,600 [7.2]	10,000 [2.9]	11.50	13.00	74	1,050 [495]	
RCFL-H*3617(U96VA0702317MSA)	34,600 [10.1]	24,600 [7.2]	10,000 [2.9]	11.50	13.00	74	1,050 [495]	

① Highest sales volume tested combination required by D.O.E. test procedures.

[] Designates Metric Conversions

Performance Data @ AHRI Standard Conditions—Cooling

Model Numbers		80°F [26.5°C] DB/67°F [19.5°C] WB Indoor Air 95°F [35°C] DB Outdoor Air					Sound Rating dB	Indoor CFM [L/s]
Outdoor Unit 13A*N	Indoor Coil and/or Air Handler	Total Capacity BTU/H [kW]	Net Sensible BTU/H [kW]	Net Latent BTU/H [kW]	EER	SEER		
Rev. 9/3/14	RCFL-H*3617(RGFE-06?MCK?)	34,400 [10.1]	24,200 [7.1]	10,200 [3.0]	11.00	13.00	74	1,000 [472]
	RCFL-H*3617(RGFE-07?MCK?)	34,400 [10.1]	24,000 [7.0]	10,400 [3.0]	11.00	13.00	74	1,025 [484]
13AJN36	RCFL-H*3617(RGFG-06EMCKS)	34,400 [10.1]	24,200 [7.1]	10,200 [3.0]	11.00	13.00	74	1,000 [472]
	RCFL-H*3617(RGFG-06NMCKS)	34,400 [10.1]	24,200 [7.1]	10,200 [3.0]	11.00	13.00	74	1,000 [472]
	RCFL-H*3617(RGFG-07EMCKS)	34,400 [10.1]	24,000 [7.0]	10,400 [3.0]	11.00	13.00	74	1,000 [472]
	RCFL-H*3617(RGFG-07NMCKS)	34,400 [10.1]	24,000 [7.0]	10,400 [3.0]	11.00	13.00	74	1,000 [472]
	RCFL-H*3617(RGGE-06?MCK?)	34,400 [10.1]	24,200 [7.1]	10,200 [3.0]	11.50	13.00	74	1,025 [484]
	RCFL-H*3617(RGGE-07?MCK?)	34,400 [10.1]	24,200 [7.1]	10,200 [3.0]	11.50	13.00	74	1,025 [484]
	RCFL-H*3617(RGJF-06?MCK?)	34,400 [10.1]	24,200 [7.1]	10,200 [3.0]	11.50	13.00	74	1,025 [484]
	RCFL-H*3617(RGJF-07?MCK?)	34,400 [10.1]	24,200 [7.1]	10,200 [3.0]	11.50	13.00	74	1,025 [484]
	RCFL-H*3617(RGLE-07?AMK?)	34,600 [10.1]	24,200 [7.1]	10,400 [3.0]	11.50	13.50	74	1,025 [484]
	RCFL-H*3617(RGLT-07?AMK?)	34,800 [10.2]	24,800 [7.3]	10,000 [2.9]	11.50	13.50	74	1,050 [495]
	RCFL-H*3617(RGPE-05?BMK?)	34,200 [10.0]	23,900 [7.0]	10,300 [3.0]	11.50	13.00	74	975 [460]
	RCFL-H*3617(RGPE-07?AMK?)	34,400 [10.1]	24,200 [7.1]	10,200 [3.0]	11.50	13.50	74	1,000 [472]
	RCFL-H*3617(RGPT-05?BMK?)	34,600 [10.1]	24,600 [7.2]	10,000 [2.9]	11.00	13.00	74	1,050 [495]
	RCFL-H*3617(RGPT-07?AMK?)	34,600 [10.1]	24,600 [7.2]	10,000 [2.9]	11.50	13.00	74	1,050 [495]
	RCFL-H*3617(RGRM-04?MAE?)	34,200 [10.0]	24,000 [7.0]	10,200 [3.0]	11.50	13.00	74	1,025 [484]
	RCFL-H*3617(RGRM-06?MAE?)	34,400 [10.1]	24,200 [7.1]	10,200 [3.0]	11.50	13.00	74	1,000 [472]
	RCFL-H*3617(RGRM-07?MAE?)	34,000 [10.0]	23,600 [6.9]	10,400 [3.0]	11.00	13.00	74	950 [448]
	RCFL-H*3617(RGTM-06?MAE?)	34,800 [10.2]	24,800 [7.3]	10,000 [2.9]	11.00	13.00	74	1,075 [507]
	RCFL-H*3617(RHWB-04WMX36B)	35,200 [10.3]	25,600 [7.5]	9,600 [2.8]	11.00	13.00	74	1,150 [543]
	RCFL-H*3617(RHWB-06WMX48B)	34,400 [10.1]	24,100 [7.1]	10,300 [3.0]	11.00	13.00	74	975 [460]
	RCFL-H*3617(ROCA-070E03)	34,600 [10.1]	24,200 [7.1]	10,400 [3.0]	11.50	13.50	74	1,000 [472]
	RCFL-H*3617(ROCA-070E04)	34,600 [10.1]	24,200 [7.1]	10,400 [3.0]	11.50	13.50	74	1,000 [472]
	RCFL-H*3617(ROLA-070E03)	34,400 [10.1]	24,100 [7.1]	10,300 [3.0]	11.50	13.50	74	975 [460]
	RCFL-H*3617(ROLA-070E04)	34,600 [10.1]	24,200 [7.1]	10,400 [3.0]	11.50	13.50	74	1,025 [484]
	RCFL-H*3621	34,200 [10.0]	23,950 [7.0]	10,250 [3.0]	11.00	13.00	74	1,000 [472]
	RCFL-H*3621(R95TA0401317MSA)	35,000 [10.3]	25,100 [7.4]	9,900 [2.9]	11.50	13.50	74	1,075 [507]
	RCFL-H*3621(R95TA0601317MSA)	34,400 [10.1]	24,200 [7.1]	10,200 [3.0]	11.00	13.00	74	1,025 [484]
	RCFL-H*3621(R95TA0701317MSA)	34,200 [10.0]	24,000 [7.0]	10,200 [3.0]	11.00	13.00	74	1,025 [484]
	RCFL-H*3621(R96VA0602317MSA)	34,600 [10.1]	24,600 [7.2]	10,000 [2.9]	11.00	13.00	74	1,050 [495]
	RCFL-H*3621(U96VA0602317MSA)	34,600 [10.1]	24,600 [7.2]	10,000 [2.9]	11.00	13.00	74	1,050 [495]
	RCFL-H*3621(R96VA0702317MSA)	34,600 [10.1]	24,600 [7.2]	10,000 [2.9]	11.50	13.00	74	1,050 [495]
	RCFL-H*3621(U96VA0702317MSA)	34,600 [10.1]	24,600 [7.2]	10,000 [2.9]	11.50	13.00	74	1,050 [495]
	RCFL-H*3621(R96VA0852521MSB)	34,600 [10.1]	24,400 [7.1]	10,200 [3.0]	11.50	13.50	74	1,025 [484]
	RCFL-H*3621(U96VA0852521MSB)	34,600 [10.1]	24,400 [7.1]	10,200 [3.0]	11.50	13.50	74	1,025 [484]
RCFL-H*3621(U96VA1002521MSA)	34,800 [10.2]	24,800 [7.3]	10,000 [2.9]	11.50	13.50	74	1,050 [495]	
RCFL-H*3621(R96VA1002521MSA)	34,800 [10.2]	24,800 [7.3]	10,000 [2.9]	11.50	13.50	74	1,050 [495]	
RCFL-H*3621(RGFE-06?MCK?)	34,400 [10.1]	24,200 [7.1]	10,200 [3.0]	11.00	13.00	74	1,000 [472]	
RCFL-H*3621(RGFE-07?MCK?)	34,400 [10.1]	24,200 [7.1]	10,200 [3.0]	11.00	13.00	74	1,025 [484]	
RCFL-H*3621(RGFE-09?ZCM?)	34,600 [10.1]	24,200 [7.1]	10,400 [3.0]	11.50	13.50	74	1,025 [484]	
RCFL-H*3621(RGFE-10?ZCM?)	34,600 [10.1]	24,200 [7.1]	10,400 [3.0]	11.50	13.50	74	1,000 [472]	
RCFL-H*3621(RGFG-06EMCKS)	34,400 [10.1]	24,200 [7.1]	10,200 [3.0]	11.00	13.00	74	1,000 [472]	
RCFL-H*3621(RGFG-06NMCKS)	34,400 [10.1]	24,200 [7.1]	10,200 [3.0]	11.00	13.00	74	1,000 [472]	
RCFL-H*3621(RGFG-07EMCKS)	34,400 [10.1]	24,200 [7.1]	10,200 [3.0]	11.00	13.00	74	1,000 [472]	
RCFL-H*3621(RGFG-07NMCKS)	34,400 [10.1]	24,200 [7.1]	10,200 [3.0]	11.00	13.00	74	1,000 [472]	
RCFL-H*3621(RGFG-09EZCMS)	34,600 [10.1]	24,200 [7.1]	10,400 [3.0]	11.50	13.50	74	1,025 [484]	
RCFL-H*3621(RGFG-09NZCMS)	34,600 [10.1]	24,200 [7.1]	10,400 [3.0]	11.50	13.50	74	1,025 [484]	
RCFL-H*3621(RGFG-10EZCMS)	34,800 [10.2]	24,800 [7.3]	10,000 [2.9]	11.50	13.50	74	1,050 [495]	
RCFL-H*3621(RGFG-10NZCMS)	34,800 [10.2]	24,800 [7.3]	10,000 [2.9]	11.50	13.50	74	1,050 [495]	

① Highest sales volume tested combination required by D.O.E. test procedures.

[] Designates Metric Conversions

Performance Data @ AHRI Standard Conditions—Cooling

Model Numbers		80°F [26.5°C] DB/67°F [19.5°C] WB Indoor Air 95°F [35°C] DB Outdoor Air					Sound Rating dB	Indoor CFM [L/s]
Outdoor Unit 13A*N	Indoor Coil and/or Air Handler	Total Capacity BTU/H [kW]	Net Sensible BTU/H [kW]	Net Latent BTU/H [kW]	EER	SEER		
Rev. 9/3/14	RCFL-H*3821(R96VA1002521MSA)	36,200 [10.6]	26,100 [7.6]	10,100 [3.0]	11.50	14.00	74	1,050 [495]
	RCFL-H*3821(RGFE-06?MCK?)	35,800 [10.5]	25,500 [7.5]	10,300 [3.0]	11.50	14.00	74	1,000 [472]
	RCFL-H*3821(RGFE-07?MCK?)	35,600 [10.4]	25,300 [7.4]	10,300 [3.0]	11.50	13.50	74	1,025 [484]
	RCFL-H*3821(RGFE-09?ZCM?)	35,800 [10.5]	25,500 [7.5]	10,300 [3.0]	11.50	14.00	74	1,025 [484]
	RCFL-H*3821(RGFE-10?ZCM?)	35,800 [10.5]	25,500 [7.5]	10,300 [3.0]	11.50	14.00	74	1,025 [484]
	RCFL-H*3821(RGFG-06EMCKS)	35,800 [10.5]	25,500 [7.5]	10,300 [3.0]	11.50	14.00	74	1,000 [472]
	RCFL-H*3821(RGFG-06NMCKS)	35,800 [10.5]	25,500 [7.5]	10,300 [3.0]	11.50	14.00	74	1,000 [472]
	RCFL-H*3821(RGFG-07EMCKS)	35,600 [10.4]	25,300 [7.4]	10,300 [3.0]	11.50	13.50	74	1,000 [472]
	RCFL-H*3821(RGFG-07NMCKS)	35,600 [10.4]	25,300 [7.4]	10,300 [3.0]	11.50	13.50	74	1,000 [472]
	RCFL-H*3821(RGFG-09EZCMS)	35,800 [10.5]	25,500 [7.5]	10,300 [3.0]	11.50	14.00	74	1,025 [484]
	RCFL-H*3821(RGFG-09NZCMS)	35,800 [10.5]	25,500 [7.5]	10,300 [3.0]	11.50	14.00	74	1,025 [484]
	RCFL-H*3821(RGFG-10EZCMS)	36,200 [10.6]	26,100 [7.6]	10,100 [3.0]	11.50	14.00	74	1,050 [495]
	RCFL-H*3821(RGFG-10NZCMS)	36,200 [10.6]	26,100 [7.6]	10,100 [3.0]	11.50	14.00	74	1,050 [495]
	RCFL-H*3821(RGGE-06?MCK?)	35,800 [10.5]	25,500 [7.5]	10,300 [3.0]	11.50	14.00	74	1,025 [484]
	RCFL-H*3821(RGGE-07?MCK?)	35,800 [10.5]	25,500 [7.5]	10,300 [3.0]	11.50	14.00	74	1,025 [484]
	RCFL-H*3821(RGGE-09?ZCM?)	36,000 [10.5]	25,700 [7.5]	10,300 [3.0]	12.00	14.50	74	1,000 [472]
	RCFL-H*3821(RGGE-10?ZCM?)	36,200 [10.6]	26,100 [7.6]	10,100 [3.0]	11.50	14.00	74	1,050 [495]
	RCFL-H*3821(RGJF-06?MCK?)	35,800 [10.5]	25,500 [7.5]	10,300 [3.0]	11.50	14.00	74	1,025 [484]
	RCFL-H*3821(RGJF-07?MCK?)	35,800 [10.5]	25,500 [7.5]	10,300 [3.0]	11.50	14.00	74	1,025 [484]
	RCFL-H*3821(RGJF-09?ZCM?)	36,000 [10.5]	25,700 [7.5]	10,300 [3.0]	12.00	14.50	74	1,000 [472]
	RCFL-H*3821(RGJF-10?ZCM?)	36,200 [10.6]	26,100 [7.6]	10,100 [3.0]	11.50	14.00	74	1,050 [495]
	RCFL-H*3821(RGLE-07?AMK?)	36,000 [10.5]	25,700 [7.5]	10,300 [3.0]	11.50	14.00	74	1,025 [484]
	RCFL-H*3821(RGLE-07?BRQ?)	36,000 [10.5]	25,700 [7.5]	10,300 [3.0]	11.50	14.00	74	1,025 [484]
	RCFL-H*3821(RGLE-10?BRM?)	36,400 [10.7]	26,300 [7.7]	10,100 [3.0]	12.00	14.50	74	1,050 [495]
	RCFL-H*3821(RGLT-07?BRQ?)	36,400 [10.7]	26,300 [7.7]	10,100 [3.0]	12.00	14.50	74	1,050 [495]
	RCFL-H*3821(RGLT-10?BRM?)	36,400 [10.7]	26,300 [7.7]	10,100 [3.0]	12.00	14.50	74	1,050 [495]
	RCFL-H*3821(RGPE-07?AMK?)	35,800 [10.5]	25,500 [7.5]	10,300 [3.0]	11.50	14.00	74	1,000 [472]
	RCFL-H*3821(RGPE-07?BRQ?)	36,400 [10.7]	26,300 [7.7]	10,100 [3.0]	12.00	14.50	74	1,050 [495]
	RCFL-H*3821(RGPE-10?BRM?)	36,600 [10.7]	26,600 [7.8]	10,000 [2.9]	12.00	14.50	74	1,075 [507]
	RCFL-H*3821(RGPT-05?BMK?)	36,200 [10.6]	26,200 [7.7]	10,000 [2.9]	11.50	13.50	74	1,075 [507]
	RCFL-H*3821(RGPT-07?AMK?)	36,400 [10.7]	26,500 [7.8]	9,900 [2.9]	11.50	14.00	74	1,100 [519]
	RCFL-H*3821(RGPT-07?BRQ?)	36,000 [10.5]	25,700 [7.5]	10,300 [3.0]	12.00	14.50	74	1,025 [484]
	RCFL-H*3821(RGPT-10?BRM?)	36,000 [10.5]	25,700 [7.5]	10,300 [3.0]	12.00	14.50	74	1,025 [484]
	RCFL-H*3821(RGRM-04?MAE?)	35,600 [10.4]	25,300 [7.4]	10,300 [3.0]	11.50	13.50	74	1,025 [484]
	RCFL-H*3821(RGRM-06?MAE?)	35,600 [10.4]	25,300 [7.4]	10,300 [3.0]	11.50	13.50	74	1,000 [472]
	RCFL-H*3821(RGRM-07?MAE?)	35,400 [10.4]	25,100 [7.4]	10,300 [3.0]	11.50	13.00	74	1,025 [484]
	RCFL-H*3821(RGRM-07?YBG?)	35,800 [10.5]	25,700 [7.5]	10,100 [3.0]	11.50	13.50	74	1,050 [495]
	RCFL-H*3821(RGRM-09?ZAJ?)	36,200 [10.6]	26,200 [7.7]	10,000 [2.9]	11.50	14.00	74	1,075 [507]
	RCFL-H*3821(RGRM-10?ZAJ?)	35,800 [10.5]	25,500 [7.5]	10,300 [3.0]	11.50	14.00	74	1,025 [484]
	RCFL-H*3821(RGTM-06?MAE?)	36,200 [10.6]	26,200 [7.7]	10,000 [2.9]	11.50	14.00	74	1,075 [507]
RCFL-H*3821(RGTM-07?RBG?)	36,200 [10.6]	26,100 [7.6]	10,100 [3.0]	12.00	14.50	74	1,050 [495]	
RCFL-H*3821(RGTM-09?ZAJ?)	36,600 [10.7]	26,700 [7.8]	9,900 [2.9]	11.50	14.00	74	1,100 [519]	
RCFL-H*3821(RHWB-04WXM36B)	36,400 [10.7]	26,400 [7.7]	10,000 [2.9]	11.50	14.00	74	1,075 [507]	
RCFL-H*3821(RHWB-06WXM48B)	36,000 [10.5]	25,700 [7.5]	10,300 [3.0]	11.50	14.00	74	1,025 [484]	
RCFL-H*3821(ROCA-070E03)	36,000 [10.5]	25,700 [7.5]	10,300 [3.0]	11.50	14.00	74	1,000 [472]	
RCFL-H*3821(ROCA-070E04)	36,000 [10.5]	25,700 [7.5]	10,300 [3.0]	11.50	14.00	74	1,000 [472]	
RCFL-H*3821(ROCB-072E04)	35,800 [10.5]	25,500 [7.5]	10,300 [3.0]	11.50	14.00	74	1,000 [472]	
RCFL-H*3821(ROLA-070E04)	36,000 [10.5]	25,700 [7.5]	10,300 [3.0]	12.00	14.50	74	1,025 [484]	
RCFL-H*3821(ROLA-115E05)	36,200 [10.6]	26,100 [7.6]	10,100 [3.0]	12.00	14.50	74	1,050 [495]	
RCFL-H*3824	34,400 [10.1]	24,500 [7.2]	9,900 [2.9]	11.00	13.00	74	1,000 [472]	

① Highest sales volume tested combination required by D.O.E. test procedures.

[] Designates Metric Conversions

Performance Data @ AHRI Standard Conditions—Cooling

Model Numbers		80°F [26.5°C] DB/67°F [19.5°C] WB Indoor Air 95°F [35°C] DB Outdoor Air					Sound Rating dB	Indoor CFM [L/s]
Outdoor Unit 13A*N	Indoor Coil and/or Air Handler	Total Capacity BTU/H [kW]	Net Sensible BTU/H [kW]	Net Latent BTU/H [kW]	EER	SEER		
Rev. 9/3/14	RCFL-H*3824(U96VA0852521MSB)	36,000 [10.5]	25,700 [7.5]	10,300 [3.0]	11.50	14.00	74	1,025 [484]
	RCFL-H*3824(R96VA0852521MSB)	36,000 [10.5]	25,700 [7.5]	10,300 [3.0]	11.50	14.00	74	1,025 [484]
	RCFL-H*3824(U96VA1002521MSA)	36,200 [10.6]	26,100 [7.6]	10,100 [3.0]	11.50	14.00	74	1,050 [495]
	RCFL-H*3824(R96VA1002521MSA)	36,200 [10.6]	26,100 [7.6]	10,100 [3.0]	11.50	14.00	74	1,050 [495]
	RCFL-H*3824(RGFE-09?ZCM?)	35,800 [10.5]	25,500 [7.5]	10,300 [3.0]	11.50	14.00	74	1,025 [484]
	RCFL-H*3824(RGFE-10?ZCM?)	35,800 [10.5]	25,500 [7.5]	10,300 [3.0]	11.50	14.00	74	1,025 [484]
	RCFL-H*3824(RGFE-12?RCM?)	36,000 [10.5]	25,700 [7.5]	10,300 [3.0]	11.50	14.00	74	1,025 [484]
	RCFL-H*3824(RGFG-09EZCMS)	35,800 [10.5]	25,500 [7.5]	10,300 [3.0]	11.50	14.00	74	1,025 [484]
	RCFL-H*3824(RGFG-09NZCMS)	35,800 [10.5]	25,500 [7.5]	10,300 [3.0]	11.50	14.00	74	1,025 [484]
	RCFL-H*3824(RGFG-10EZCMS)	36,200 [10.6]	26,100 [7.6]	10,100 [3.0]	11.50	14.00	74	1,050 [495]
	RCFL-H*3824(RGFG-10NZCMS)	36,200 [10.6]	26,100 [7.6]	10,100 [3.0]	11.50	14.00	74	1,050 [495]
	RCFL-H*3824(RGFG-12ERCMS)	36,000 [10.5]	25,700 [7.5]	10,300 [3.0]	11.50	14.00	74	1,025 [484]
	RCFL-H*3824(RGFG-12NRCMS)	36,000 [10.5]	25,700 [7.5]	10,300 [3.0]	11.50	14.00	74	1,025 [484]
	RCFL-H*3824(RGGE-09?ZCM?)	36,000 [10.5]	25,700 [7.5]	10,300 [3.0]	12.00	14.50	74	1,000 [472]
	RCFL-H*3824(RGGE-10?ZCM?)	36,200 [10.6]	26,100 [7.6]	10,100 [3.0]	11.50	14.00	74	1,050 [495]
	RCFL-H*3824(RGGE-12?RCM?)	36,400 [10.7]	26,300 [7.7]	10,100 [3.0]	12.00	14.50	74	1,050 [495]
	RCFL-H*3824(RGJF-09?ZCM?)	36,000 [10.5]	25,700 [7.5]	10,300 [3.0]	12.00	14.50	74	1,000 [472]
	RCFL-H*3824(RGJF-10?ZCM?)	36,200 [10.6]	26,100 [7.6]	10,100 [3.0]	11.50	14.00	74	1,050 [495]
	RCFL-H*3824(RGJF-12?RCM?)	36,400 [10.7]	26,300 [7.7]	10,100 [3.0]	12.00	14.50	74	1,050 [495]
	RCFL-H*3824(RGLE-07?BRQ?)	36,000 [10.5]	25,700 [7.5]	10,300 [3.0]	11.50	14.00	74	1,025 [484]
	RCFL-H*3824(RGLE-10?BRM?)	36,400 [10.7]	26,300 [7.7]	10,100 [3.0]	12.00	14.50	74	1,050 [495]
	RCFL-H*3824(RGLE-12?ARM?)	36,600 [10.7]	26,600 [7.8]	10,000 [2.9]	12.00	14.50	74	1,075 [507]
	RCFL-H*3824(RGLT-07?BRQ?)	36,400 [10.7]	26,300 [7.7]	10,100 [3.0]	12.00	14.50	74	1,050 [495]
	RCFL-H*3824(RGLT-10?BRM?)	36,400 [10.7]	26,300 [7.7]	10,100 [3.0]	12.00	14.50	74	1,050 [495]
	RCFL-H*3824(RGLT-12?ARM?)	37,000 [10.8]	27,300 [8.0]	9,700 [2.8]	12.00	14.50	74	1,150 [543]
	RCFL-H*3824(RGPE-07?BRQ?)	36,400 [10.7]	26,300 [7.7]	10,100 [3.0]	12.00	14.50	74	1,050 [495]
	RCFL-H*3824(RGPE-10?BRM?)	36,600 [10.7]	26,600 [7.8]	10,000 [2.9]	12.00	14.50	74	1,075 [507]
	RCFL-H*3824(RGPE-12?ARM?)	36,600 [10.7]	26,600 [7.8]	10,000 [2.9]	12.00	14.50	74	1,075 [507]
	RCFL-H*3824(RGPT-07?BRQ?)	36,000 [10.5]	25,700 [7.5]	10,300 [3.0]	12.00	14.50	74	1,025 [484]
	RCFL-H*3824(RGPT-10?BRM?)	36,000 [10.5]	25,700 [7.5]	10,300 [3.0]	12.00	14.50	74	1,025 [484]
	RCFL-H*3824(RGRM-07?YBG?)	35,800 [10.5]	25,700 [7.5]	10,100 [3.0]	11.50	13.50	74	1,050 [495]
	RCFL-H*3824(RGRM-09?ZAJ?)	36,200 [10.6]	26,200 [7.7]	10,000 [2.9]	11.50	14.00	74	1,075 [507]
	RCFL-H*3824(RGRM-10?ZAJ?)	35,800 [10.5]	25,500 [7.5]	10,300 [3.0]	11.50	14.00	74	1,025 [484]
	RCFL-H*3824(RGRM-12?RAJ?)	36,400 [10.7]	26,400 [7.7]	10,000 [2.9]	11.50	14.00	74	1,075 [507]
	RCFL-H*3824(RGTM-07?RBG?)	36,200 [10.6]	26,100 [7.6]	10,100 [3.0]	12.00	14.50	74	1,050 [495]
	RCFL-H*3824(RGTM-09?ZAJ?)	36,600 [10.7]	26,700 [7.8]	9,900 [2.9]	11.50	14.00	74	1,100 [519]
	RCFL-H*3824(RGTM-10?RBJ?)	36,800 [10.8]	27,000 [7.9]	9,800 [2.9]	12.00	14.50	74	1,125 [531]
	RCFL-H*3824(ROCA-070E03)	36,000 [10.5]	25,700 [7.5]	10,300 [3.0]	11.50	14.00	74	1,000 [472]
	RCFL-H*3824(ROCA-070E04)	36,000 [10.5]	25,700 [7.5]	10,300 [3.0]	11.50	14.00	74	1,000 [472]
	RCFL-H*3824(ROCB-072E04)	35,800 [10.5]	25,500 [7.5]	10,300 [3.0]	11.50	14.00	74	1,000 [472]
RCFL-H*3824(ROLA-070E04)	36,000 [10.5]	25,700 [7.5]	10,300 [3.0]	12.00	14.50	74	1,025 [484]	
RCFL-H*3824(ROLA-115E05)	36,200 [10.6]	26,100 [7.6]	10,100 [3.0]	12.00	14.50	74	1,050 [495]	
RCFN-H*3624(U96VA0852521MSB)	36,000 [10.5]	25,700 [7.5]	10,300 [3.0]	11.50	14.00	74	1,025 [484]	
RCFN-H*3624(R96VA0852521MSB)	36,000 [10.5]	25,700 [7.5]	10,300 [3.0]	11.50	14.00	74	1,025 [484]	
RCFN-H*3624(R96VA1002521MSA)	36,200 [10.6]	26,100 [7.6]	10,100 [3.0]	12.00	14.50	74	1,050 [495]	
RCFN-H*3624(U96VA1002521MSA)	36,200 [10.6]	26,100 [7.6]	10,100 [3.0]	12.00	14.50	74	1,050 [495]	
RCFN-H*3624(RGFE-09?ZCM?)	36,000 [10.5]	25,700 [7.5]	10,300 [3.0]	11.50	14.00	74	1,025 [484]	
RCFN-H*3624(RGFE-10?ZCM?)	36,000 [10.5]	25,700 [7.5]	10,300 [3.0]	12.00	14.50	74	1,000 [472]	
RCFN-H*3624(RGFE-12?RCM?)	36,000 [10.5]	25,700 [7.5]	10,300 [3.0]	12.00	14.50	74	1,025 [484]	
RCFN-H*3624(RGFG-09EZCMS)	36,000 [10.5]	25,700 [7.5]	10,300 [3.0]	11.50	14.00	74	1,025 [484]	

① Highest sales volume tested combination required by D.O.E. test procedures.

[] Designates Metric Conversions

Performance Data @ AHRI Standard Conditions—Cooling

Model Numbers		80°F [26.5°C] DB/67°F [19.5°C] WB Indoor Air 95°F [35°C] DB Outdoor Air					Sound Rating dB	Indoor CFM [L/s]
Outdoor Unit 13A*N	Indoor Coil and/or Air Handler	Total Capacity BTU/H [kW]	Net Sensible BTU/H [kW]	Net Latent BTU/H [kW]	EER	SEER		
Rev. 9/3/14	RCFN-H*3624(RGFG-09NZCMS)	36,000 [10.5]	25,700 [7.5]	10,300 [3.0]	11.50	14.00	74	1,025 [484]
	RCFN-H*3624(RGFG-10EZCMS)	36,200 [10.6]	26,100 [7.6]	10,100 [3.0]	11.50	14.00	74	1,050 [495]
	RCFN-H*3624(RGFG-10NZCMS)	36,200 [10.6]	26,100 [7.6]	10,100 [3.0]	11.50	14.00	74	1,050 [495]
	RCFN-H*3624(RGFG-12ERCMS)	36,000 [10.5]	25,700 [7.5]	10,300 [3.0]	12.00	14.50	74	1,025 [484]
	RCFN-H*3624(RGFG-12NRCMS)	36,000 [10.5]	25,700 [7.5]	10,300 [3.0]	12.00	14.50	74	1,025 [484]
	RCFN-H*3624(RGGE-09?ZCM?)	36,000 [10.5]	25,700 [7.5]	10,300 [3.0]	12.00	14.50	74	1,000 [472]
	RCFN-H*3624(RGGE-10?ZCM?)	36,000 [10.5]	25,700 [7.5]	10,300 [3.0]	12.00	14.50	74	1,000 [472]
	RCFN-H*3624(RGGE-12?RCM?)	36,400 [10.7]	26,300 [7.7]	10,100 [3.0]	12.00	14.50	74	1,050 [495]
	RCFN-H*3624(RGJF-09?ZCM?)	36,000 [10.5]	25,700 [7.5]	10,300 [3.0]	12.00	14.50	74	1,000 [472]
	RCFN-H*3624(RGJF-10?ZCM?)	36,000 [10.5]	25,700 [7.5]	10,300 [3.0]	12.00	14.50	74	1,000 [472]
	RCFN-H*3624(RGJF-12?RCM?)	36,400 [10.7]	26,300 [7.7]	10,100 [3.0]	12.00	14.50	74	1,050 [495]
	RCFN-H*3624(RGLE-07?BRQ?)	36,000 [10.5]	25,700 [7.5]	10,300 [3.0]	12.00	14.50	74	1,025 [484]
	RCFN-H*3624(RGLE-10?BRM?)	36,400 [10.7]	26,300 [7.7]	10,100 [3.0]	12.00	14.50	74	1,050 [495]
	RCFN-H*3624(RGLE-12?ARM?)	36,600 [10.7]	26,600 [7.8]	10,000 [2.9]	12.00	14.50	74	1,075 [507]
	RCFN-H*3624(RGLT-07?BRQ?)	36,400 [10.7]	26,300 [7.7]	10,100 [3.0]	12.00	14.50	74	1,050 [495]
	RCFN-H*3624(RGLT-10?BRM?)	36,400 [10.7]	26,300 [7.7]	10,100 [3.0]	12.00	14.50	74	1,050 [495]
	RCFN-H*3624(RGLT-12?ARM?)	36,200 [10.6]	25,900 [7.6]	10,300 [3.0]	12.00	14.50	74	1,000 [472]
	RCFN-H*3624(RGPE-07?BRQ?)	36,400 [10.7]	26,300 [7.7]	10,100 [3.0]	12.00	14.50	74	1,050 [495]
	RCFN-H*3624(RGPE-10?BRM?)	36,600 [10.7]	26,600 [7.8]	10,000 [2.9]	12.00	14.50	74	1,075 [507]
	RCFN-H*3624(RGPE-12?ARM?)	36,600 [10.7]	26,600 [7.8]	10,000 [2.9]	12.00	14.50	74	1,075 [507]
	RCFN-H*3624(RGPT-07?BRQ?)	36,400 [10.7]	26,300 [7.7]	10,100 [3.0]	12.00	14.50	74	1,050 [495]
	RCFN-H*3624(RGPT-10?BRM?)	36,600 [10.7]	26,600 [7.8]	10,000 [2.9]	12.00	14.50	74	1,075 [507]
	RCFN-H*3624(RGRM-07?YBG?)	35,800 [10.5]	25,700 [7.5]	10,100 [3.0]	11.50	13.50	74	1,050 [495]
	RCFN-H*3624(RGRM-09?ZAJ?)	36,200 [10.6]	26,200 [7.7]	10,000 [2.9]	11.50	14.00	74	1,075 [507]
	RCFN-H*3624(RGRM-10?ZAJ?)	36,600 [10.7]	26,900 [7.9]	9,700 [2.8]	11.50	14.00	74	1,150 [543]
	RCFN-H*3624(RGRM-12?RAJ?)	36,400 [10.7]	26,400 [7.7]	10,000 [2.9]	12.00	14.50	74	1,075 [507]
	RCFN-H*3624(RGTM-07?RBG?)	36,200 [10.6]	26,100 [7.6]	10,100 [3.0]	12.00	14.50	74	1,050 [495]
	RCFN-H*3624(RGTM-09?ZAJ?)	36,600 [10.7]	26,700 [7.8]	9,900 [2.9]	12.00	14.50	74	1,100 [519]
	RCFN-H*3624(RGTM-10?RBJ?)	36,800 [10.8]	27,000 [7.9]	9,800 [2.9]	12.00	14.50	74	1,125 [531]
	RCFN-H*3624(ROCA-070E03)	36,000 [10.5]	25,700 [7.5]	10,300 [3.0]	12.00	14.50	74	1,000 [472]
	RCFN-H*3624(ROCA-070E04)	36,000 [10.5]	25,700 [7.5]	10,300 [3.0]	12.00	14.50	74	1,000 [472]
	RCFN-H*3624(ROCB-072E04)	36,000 [10.5]	25,700 [7.5]	10,300 [3.0]	11.50	14.00	74	1,000 [472]
	RCFN-H*3624(ROLA-070E04)	36,000 [10.5]	25,700 [7.5]	10,300 [3.0]	12.00	14.50	74	1,025 [484]
	RCFN-H*3624(ROLA-115E05)	36,400 [10.7]	26,300 [7.7]	10,100 [3.0]	12.00	14.50	74	1,050 [495]
	RBHP-21(RCHL-36A1)	34,600 [10.1]	26,700 [7.8]	7,900 [2.3]	11.50	14.00	74	1,000 [472]
	RCQD-3621	35,400 [10.4]	25,100 [7.4]	10,300 [3.0]	11.00	13.00	74	1,000 [472]
	RCQD-3621(R95TA0401317MSA)	36,800 [10.8]	27,300 [8.0]	9,500 [2.8]	11.50	14.00	74	1,125 [531]
	RCQD-3621(R95TA0601317MSA)	36,600 [10.7]	27,000 [7.9]	9,600 [2.8]	11.50	13.50	74	1,100 [519]
	RCQD-3621(R95TA0701317MSA)	36,200 [10.6]	26,500 [7.8]	9,700 [2.8]	11.50	13.50	74	1,075 [507]
	RCQD-3621(R96VA0602317MSA)	36,000 [10.5]	25,900 [7.6]	10,100 [3.0]	11.50	13.50	74	1,050 [495]
	RCQD-3621(U96VA0602317MSA)	36,000 [10.5]	25,900 [7.6]	10,100 [3.0]	11.50	13.50	74	1,050 [495]
	RCQD-3621(U96VA0702317MSA)	36,200 [10.6]	26,100 [7.6]	10,100 [3.0]	11.50	13.50	74	1,050 [495]
RCQD-3621(R96VA0702317MSA)	36,200 [10.6]	26,100 [7.6]	10,100 [3.0]	11.50	13.50	74	1,050 [495]	
RCQD-3621(R96VA0852521MSB)	36,000 [10.5]	25,700 [7.5]	10,300 [3.0]	11.50	14.00	74	1,025 [484]	
RCQD-3621(U96VA0852521MSB)	36,000 [10.5]	25,700 [7.5]	10,300 [3.0]	11.50	14.00	74	1,025 [484]	
RCQD-3621(U96VA1002521MSA)	36,200 [10.6]	26,100 [7.6]	10,100 [3.0]	11.50	14.00	74	1,050 [495]	
RCQD-3621(R96VA1002521MSA)	36,200 [10.6]	26,100 [7.6]	10,100 [3.0]	11.50	14.00	74	1,050 [495]	
RCQD-3621(RGFE-06?MCK?)	35,800 [10.5]	25,500 [7.5]	10,300 [3.0]	11.00	13.00	74	1,000 [472]	
RCQD-3621(RGFE-07?MCK?)	35,800 [10.5]	25,500 [7.5]	10,300 [3.0]	11.00	13.00	74	1,025 [484]	
RCQD-3621(RGFE-09?ZCM?)	36,000 [10.5]	25,700 [7.5]	10,300 [3.0]	11.50	13.50	74	1,025 [484]	

① Highest sales volume tested combination required by D.O.E. test procedures.

[] Designates Metric Conversions

Performance Data @ AHRI Standard Conditions—Cooling

Model Numbers		80°F [26.5°C] DB/67°F [19.5°C] WB Indoor Air 95°F [35°C] DB Outdoor Air					Sound Rating dB	Indoor CFM [L/s]
Outdoor Unit 13A*N	Indoor Coil and/or Air Handler	Total Capacity BTU/H [kW]	Net Sensible BTU/H [kW]	Net Latent BTU/H [kW]	EER	SEER		
Rev. 9/3/14	RCQD-3621(RGFE-10?ZCM?)	35,800 [10.5]	25,500 [7.5]	10,300 [3.0]	11.50	13.50	74	1,025 [484]
	RCQD-3621(RGFG-06EMCKS)	35,800 [10.5]	25,500 [7.5]	10,300 [3.0]	11.00	13.00	74	1,000 [472]
	RCQD-3621(RGFG-06NMCKS)	35,800 [10.5]	25,500 [7.5]	10,300 [3.0]	11.00	13.00	74	1,000 [472]
	RCQD-3621(RGFG-07EMCKS)	35,800 [10.5]	25,500 [7.5]	10,300 [3.0]	11.00	13.00	74	1,000 [472]
	RCQD-3621(RGFG-07NMCKS)	35,800 [10.5]	25,500 [7.5]	10,300 [3.0]	11.00	13.00	74	1,000 [472]
	RCQD-3621(RGFG-09EZCMS)	36,000 [10.5]	25,700 [7.5]	10,300 [3.0]	11.50	13.50	74	1,025 [484]
	RCQD-3621(RGFG-09NZCMS)	36,000 [10.5]	25,700 [7.5]	10,300 [3.0]	11.50	13.50	74	1,025 [484]
	RCQD-3621(RGFG-10EZCMS)	36,200 [10.6]	26,100 [7.6]	10,100 [3.0]	11.50	14.00	74	1,050 [495]
	RCQD-3621(RGFG-10NZCMS)	36,200 [10.6]	26,100 [7.6]	10,100 [3.0]	11.50	14.00	74	1,050 [495]
	RCQD-3621(RGJF-06?MCK?)	35,800 [10.5]	25,500 [7.5]	10,300 [3.0]	11.00	13.00	74	1,025 [484]
	RCQD-3621(RGJF-07?MCK?)	35,800 [10.5]	25,500 [7.5]	10,300 [3.0]	11.00	13.00	74	1,025 [484]
	RCQD-3621(RGJF-09?ZCM?)	36,000 [10.5]	25,700 [7.5]	10,300 [3.0]	11.50	13.50	74	1,025 [484]
	RCQD-3621(RGJF-10?ZCM?)	36,200 [10.6]	26,100 [7.6]	10,100 [3.0]	11.50	14.00	74	1,050 [495]
	RCQD-3621(RGPE-05?BMK?)	37,200 [10.9]	29,650 [8.7]	7,550 [2.2]	11.50	13.00	74	1,200 [566]
	RCQD-3621(RGPE-07?AMK?)	36,000 [10.5]	25,700 [7.5]	10,300 [3.0]	11.50	13.50	74	1,000 [472]
	RCQD-3621(RGPE-07?BRQ?)	36,400 [10.7]	26,300 [7.7]	10,100 [3.0]	11.50	14.00	74	1,050 [495]
	RCQD-3621(RGPE-10?BRM?)	36,600 [10.7]	26,600 [7.8]	10,000 [2.9]	11.50	14.00	74	1,075 [507]
	RCQD-3621(RGPT-05?BMK?)	36,200 [10.6]	26,300 [7.7]	9,900 [2.9]	11.50	13.50	74	1,100 [519]
	RCQD-3621(RGPT-07?AMK?)	36,400 [10.7]	26,500 [7.8]	9,900 [2.9]	11.50	13.50	74	1,100 [519]
	RCQD-3621(RGPT-07?BRQ?)	36,400 [10.7]	26,300 [7.7]	10,100 [3.0]	11.50	14.00	74	1,050 [495]
	RCQD-3621(RGPT-10?BRM?)	36,400 [10.7]	26,300 [7.7]	10,100 [3.0]	11.50	14.00	74	1,050 [495]
	RCQD-3621(RGRM-04?MAE?)	35,600 [10.4]	25,300 [7.4]	10,300 [3.0]	11.50	13.00	74	1,025 [484]
	RCQD-3621(RGRM-06?MAE?)	35,800 [10.5]	25,500 [7.5]	10,300 [3.0]	11.00	13.00	74	1,000 [472]
	RCQD-3621(RGRM-07?MAE?)	35,400 [10.4]	25,100 [7.4]	10,300 [3.0]	11.00	13.00	74	1,025 [484]
	RCQD-3621(RGRM-07?YBG?)	35,800 [10.5]	25,700 [7.5]	10,100 [3.0]	11.00	13.00	74	1,050 [495]
	RCQD-3621(RGRM-09?ZAJ?)	36,200 [10.6]	26,200 [7.7]	10,000 [2.9]	11.50	13.50	74	1,075 [507]
	RCQD-3621(RGRM-10?ZAJ?)	36,600 [10.7]	26,900 [7.9]	9,700 [2.8]	11.50	13.50	74	1,150 [543]
	RCQD-3621(RGTM-06?MAE?)	36,200 [10.6]	26,200 [7.7]	10,000 [2.9]	11.50	13.50	74	1,075 [507]
	RCQD-3621(RGTM-07?RBG?)	36,600 [10.7]	26,800 [7.9]	9,800 [2.9]	11.50	14.00	74	1,125 [531]
	RCQD-3621(RGTM-09?ZAJ?)	36,600 [10.7]	26,700 [7.8]	9,900 [2.9]	11.50	14.00	74	1,100 [519]
	RCQD-3621(RHWP-04WMMX36B)	36,400 [10.7]	26,500 [7.8]	9,900 [2.9]	11.50	13.50	74	1,100 [519]
	RCQD-3621(RHWP-06WMMX48B)	36,000 [10.5]	25,700 [7.5]	10,300 [3.0]	11.50	14.00	74	1,025 [484]
	RCQD-3621(ROCA-070E03)	36,000 [10.5]	25,700 [7.5]	10,300 [3.0]	11.50	13.50	74	1,000 [472]
	RCQD-3621(ROCA-070E04)	36,000 [10.5]	25,700 [7.5]	10,300 [3.0]	11.50	13.50	74	1,000 [472]
	RCQD-3621(ROCB-072E04)	35,800 [10.5]	25,500 [7.5]	10,300 [3.0]	11.50	14.00	74	1,000 [472]
	RCQD-3621(ROLA-070E03)	37,400 [11.0]	29,650 [8.7]	7,750 [2.3]	11.50	13.50	74	1,175 [554]
	RCQD-3621(ROLA-070E04)	36,000 [10.5]	25,700 [7.5]	10,300 [3.0]	11.50	13.50	74	1,025 [484]
	RCQD-3621(ROLA-115E05)	36,400 [10.7]	26,300 [7.7]	10,100 [3.0]	11.50	14.00	74	1,050 [495]
	RCQD-3624(U96VA0852521MSB)	36,000 [10.5]	25,700 [7.5]	10,300 [3.0]	11.50	14.00	74	1,025 [484]
	RCQD-3624(R96VA0852521MSB)	36,000 [10.5]	25,700 [7.5]	10,300 [3.0]	11.50	14.00	74	1,025 [484]
	RCQD-3624(U96VA1002521MSA)	36,200 [10.6]	26,100 [7.6]	10,100 [3.0]	11.50	14.00	74	1,050 [495]
	RCQD-3624(R96VA1002521MSA)	36,200 [10.6]	26,100 [7.6]	10,100 [3.0]	11.50	14.00	74	1,050 [495]
RCQD-3624(RGFE-09?ZCM?)	36,000 [10.5]	25,700 [7.5]	10,300 [3.0]	11.50	13.50	74	1,025 [484]	
RCQD-3624(RGFE-10?ZCM?)	36,000 [10.5]	25,700 [7.5]	10,300 [3.0]	11.50	13.50	74	1,025 [484]	
RCQD-3624(RGFE-12?RCM?)	36,000 [10.5]	25,700 [7.5]	10,300 [3.0]	12.00	14.50	74	1,025 [484]	
RCQD-3624(RGFG-09EZCMS)	36,000 [10.5]	25,700 [7.5]	10,300 [3.0]	11.50	13.50	74	1,025 [484]	
RCQD-3624(RGFG-09NZCMS)	36,000 [10.5]	25,700 [7.5]	10,300 [3.0]	11.50	13.50	74	1,025 [484]	
RCQD-3624(RGFG-10EZCMS)	36,200 [10.6]	26,100 [7.6]	10,100 [3.0]	11.50	14.00	74	1,050 [495]	
RCQD-3624(RGFG-10NZCMS)	36,200 [10.6]	26,100 [7.6]	10,100 [3.0]	11.50	14.00	74	1,050 [495]	
RCQD-3624(RGFG-12ERCMS)	36,000 [10.5]	25,700 [7.5]	10,300 [3.0]	12.00	14.50	74	1,025 [484]	

① Highest sales volume tested combination required by D.O.E. test procedures.

[] Designates Metric Conversions

Performance Data @ AHRI Standard Conditions—Cooling

Model Numbers		80°F [26.5°C] DB/67°F [19.5°C] WB Indoor Air 95°F [35°C] DB Outdoor Air					Sound Rating dB	Indoor CFM [L/s]
Outdoor Unit 13A*N	Indoor Coil and/or Air Handler	Total Capacity BTU/H [kW]	Net Sensible BTU/H [kW]	Net Latent BTU/H [kW]	EER	SEER		
Rev. 9/3/14	RCFL-A*4821(RGLE-07?BRQ?)	40,000 [11.7]	29,200 [8.6]	10,800 [3.2]	11.50	13.50	75	1,400 [661]
	RCFL-A*4821(RGLE-10?BRM?)	39,500 [11.6]	27,800 [8.1]	11,700 [3.4]	11.50	14.00	75	1,200 [566]
	RCFL-A*4821(RGLT-07?AMK?)	39,000 [11.4]	27,200 [8.0]	11,800 [3.5]	11.00	13.50	75	1,150 [543]
	RCFL-A*4821(RGLT-07?BRQ?)	40,000 [11.7]	29,800 [8.7]	10,200 [3.0]	11.50	13.00	75	1,450 [684]
	RCFL-A*4821(RGLT-10?BRM?)	39,500 [11.6]	28,200 [8.3]	11,300 [3.3]	11.50	13.50	75	1,250 [590]
	RCFL-A*4821(RGPE-05?BMK?)	39,000 [11.4]	27,400 [8.0]	11,600 [3.4]	11.00	13.00	75	1,200 [566]
	RCFL-A*4821(RGPE-07?AMK?)	39,000 [11.4]	27,800 [8.1]	11,200 [3.3]	11.00	13.00	75	1,225 [578]
	RCFL-A*4821(RGPE-07?BRQ?)	39,500 [11.6]	28,000 [8.2]	11,500 [3.4]	11.50	14.00	75	1,225 [578]
	RCFL-A*4821(RGPE-10?BRM?)	39,500 [11.6]	28,000 [8.2]	11,500 [3.4]	11.50	14.00	75	1,225 [578]
	RCFL-A*4821(RGPT-05?BMK?)	39,000 [11.4]	27,600 [8.1]	11,400 [3.3]	11.00	13.00	75	1,225 [578]
	RCFL-A*4821(RGPT-07?AMK?)	39,000 [11.4]	27,700 [8.1]	11,300 [3.3]	11.50	13.00	75	1,250 [590]
	RCFL-A*4821(RGPT-07?BRQ?)	39,500 [11.6]	28,100 [8.2]	11,400 [3.3]	11.50	13.50	75	1,225 [578]
	RCFL-A*4821(RGPT-10?BRM?)	39,500 [11.6]	28,000 [8.2]	11,500 [3.4]	11.50	14.00	75	1,225 [578]
	RCFL-A*4821(RGRM-09?ZAJ?)	39,000 [11.4]	27,600 [8.1]	11,400 [3.3]	11.00	13.00	75	1,225 [578]
	RCFL-A*4821(RGRM-10?ZAJ?)	39,000 [11.4]	27,000 [7.9]	12,000 [3.5]	11.00	13.00	75	1,150 [543]
	RCFL-A*4821(RGTM-06?MAE?)	39,000 [11.4]	27,600 [8.1]	11,400 [3.3]	11.00	13.00	75	1,225 [578]
	RCFL-A*4821(RGTM-07?RBG?)	39,500 [11.6]	28,600 [8.4]	10,900 [3.2]	11.50	13.50	75	1,325 [625]
	RCFL-A*4821(RGTM-09?ZAJ?)	39,500 [11.6]	28,000 [8.2]	11,500 [3.4]	11.50	13.50	75	1,250 [590]
	RCFL-A*4821(RHWP-04WWMX36B)	39,000 [11.4]	27,300 [8.0]	11,700 [3.4]	11.50	13.50	75	1,175 [554]
	RCFL-A*4821(RHWP-06WWMX48B)	39,500 [11.6]	28,600 [8.4]	10,900 [3.2]	11.00	13.00	75	1,325 [625]
	RCFL-A*4821(ROCA-070E03)	39,000 [11.4]	27,600 [8.1]	11,400 [3.3]	11.00	13.50	75	1,200 [566]
	RCFL-A*4821(ROCA-070E04)	39,000 [11.4]	27,600 [8.1]	11,400 [3.3]	11.00	13.50	75	1,200 [566]
	RCFL-A*4821(ROLA-070E03)	39,000 [11.4]	27,400 [8.0]	11,600 [3.4]	11.50	13.50	75	1,175 [554]
	RCFL-A*4821(ROLA-070E04)	40,000 [11.7]	29,200 [8.6]	10,800 [3.2]	11.00	13.50	75	1,375 [649]
	RCFL-A*4821(ROLA-115E05)	39,500 [11.6]	27,600 [8.1]	11,900 [3.5]	11.50	13.50	75	1,200 [566]
	RCFL-A*4821+RXMD-C04	39,500 [11.6]	28,900 [8.5]	10,600 [3.1]	10.50	13.00	75	1,375 [649]
	RCFL-A*4824(R95TA0851521MSA)	40,000 [11.7]	29,800 [8.7]	10,200 [3.0]	11.00	13.00	75	1,450 [684]
	RCFL-A*4824(R95TA1001521MSA)	40,000 [11.7]	29,700 [8.7]	10,300 [3.0]	11.00	13.00	75	1,425 [672]
	RCFL-A*4824(R95TA1151524MSA)	40,000 [11.7]	29,700 [8.7]	10,300 [3.0]	11.00	13.00	75	1,425 [672]
	RCFL-A*4824(R96VA0852521MSB)	39,500 [11.6]	28,300 [8.3]	11,200 [3.3]	11.50	13.50	75	1,275 [602]
	RCFL-A*4824(U96VA0852521MSB)	39,500 [11.6]	28,300 [8.3]	11,200 [3.3]	11.50	13.50	75	1,275 [602]
	RCFL-A*4824(U96VA1002521MSA)	39,500 [11.6]	28,600 [8.4]	10,900 [3.2]	11.50	13.50	75	1,325 [625]
	RCFL-A*4824(R96VA1002521MSA)	39,500 [11.6]	28,600 [8.4]	10,900 [3.2]	11.50	13.50	75	1,325 [625]
	RCFL-A*4824(RGFE-09?ZCM?)	39,000 [11.4]	27,600 [8.1]	11,400 [3.3]	11.00	13.50	75	1,200 [566]
	RCFL-A*4824(RGFE-10?ZCM?)	39,000 [11.4]	27,600 [8.1]	11,400 [3.3]	11.50	13.50	75	1,225 [578]
	RCFL-A*4824(RGFE-12?RCM?)	39,500 [11.6]	27,800 [8.1]	11,700 [3.4]	11.50	13.50	75	1,225 [578]
	RCFL-A*4824(RGFG-09EZCMS)	39,000 [11.4]	27,600 [8.1]	11,400 [3.3]	11.00	13.50	75	1,200 [566]
	RCFL-A*4824(RGFG-09NZCMS)	39,000 [11.4]	27,600 [8.1]	11,400 [3.3]	11.00	13.50	75	1,200 [566]
	RCFL-A*4824(RGFG-10EZCMS)	39,000 [11.4]	27,600 [8.1]	11,400 [3.3]	11.50	13.50	75	1,200 [566]
	RCFL-A*4824(RGFG-10NZCMS)	39,000 [11.4]	27,600 [8.1]	11,400 [3.3]	11.50	13.50	75	1,200 [566]
	RCFL-A*4824(RGFG-12ERCMS)	39,500 [11.6]	27,800 [8.1]	11,700 [3.4]	11.50	13.50	75	1,225 [578]
	RCFL-A*4824(RGFG-12NRCMS)	39,500 [11.6]	27,800 [8.1]	11,700 [3.4]	11.50	13.50	75	1,225 [578]
RCFL-A*4824(RGGE-09?ZCM?)	39,500 [11.6]	27,800 [8.1]	11,700 [3.4]	11.50	13.50	75	1,225 [578]	
RCFL-A*4824(RGGE-10?ZCM?)	39,000 [11.4]	27,600 [8.1]	11,400 [3.3]	11.00	13.50	75	1,200 [566]	
RCFL-A*4824(RGGE-12?RCM?)	39,500 [11.6]	27,800 [8.1]	11,700 [3.4]	11.50	14.00	75	1,200 [566]	
RCFL-A*4824(RGLE-07?BRQ?)	39,500 [11.6]	28,000 [8.2]	11,500 [3.4]	11.50	13.50	75	1,225 [578]	
RCFL-A*4824(RGLE-10?BRM?)	39,500 [11.6]	27,800 [8.1]	11,700 [3.4]	11.50	14.00	75	1,200 [566]	
RCFL-A*4824(RGLE-12?ARM?)	39,500 [11.6]	28,000 [8.2]	11,500 [3.4]	11.50	14.00	75	1,225 [578]	
RCFL-A*4824(RGLT-07?BRQ?)	40,000 [11.7]	29,800 [8.7]	10,200 [3.0]	11.50	13.00	75	1,450 [684]	
RCFL-A*4824(RGLT-10?BRM?)	39,500 [11.6]	28,200 [8.3]	11,300 [3.3]	11.50	13.50	75	1,250 [590]	

① Highest sales volume tested combination required by D.O.E. test procedures.

[] Designates Metric Conversions

Performance Data @ AHRI Standard Conditions—Cooling

Model Numbers		80°F [26.5°C] DB/67°F [19.5°C] WB Indoor Air 95°F [35°C] DB Outdoor Air					Sound Rating dB	Indoor CFM [L/s]
Outdoor Unit 13A*N	Indoor Coil and/or Air Handler	Total Capacity BTU/H [kW]	Net Sensible BTU/H [kW]	Net Latent BTU/H [kW]	EER	SEER		
Rev. 9/3/14	RCFL-A*4824(RGLT-12?ARM?)	40,000 [11.7]	29,400 [8.6]	10,600 [3.1]	11.50	13.50	75	1,375 [649]
	RCFL-A*4824(RGPE-07?BRQ?)	39,500 [11.6]	28,000 [8.2]	11,500 [3.4]	11.50	14.00	75	1,225 [578]
	RCFL-A*4824(RGPE-10?BRM?)	39,500 [11.6]	28,000 [8.2]	11,500 [3.4]	11.50	14.00	75	1,225 [578]
	RCFL-A*4824(RGPE-12?ARM?)	39,500 [11.6]	27,800 [8.1]	11,700 [3.4]	11.50	14.00	75	1,200 [566]
	RCFL-A*4824(RGPT-07?BRQ?)	39,500 [11.6]	28,200 [8.3]	11,300 [3.3]	11.50	14.00	75	1,250 [590]
	RCFL-A*4824(RGPT-10?BRM?)	39,500 [11.6]	28,000 [8.2]	11,500 [3.4]	11.50	14.00	75	1,225 [578]
	RCFL-A*4824(RGPT-12?ARM?)	40,000 [11.7]	29,400 [8.6]	10,600 [3.1]	11.50	13.50	75	1,375 [649]
	RCFL-A*4824(RGRM-09?ZAJ?)	39,000 [11.4]	27,800 [8.1]	11,200 [3.3]	11.00	13.00	75	1,225 [578]
	RCFL-A*4824(RGRM-10?ZAJ?)	39,000 [11.4]	27,200 [8.0]	11,800 [3.5]	11.50	13.00	75	1,150 [543]
	RCFL-A*4824(RGRM-12?RAJ?)	39,000 [11.4]	27,600 [8.1]	11,400 [3.3]	11.50	13.50	75	1,225 [578]
	RCFL-A*4824(RGTM-07?RBG?)	39,500 [11.6]	28,600 [8.4]	10,900 [3.2]	11.50	13.50	75	1,325 [625]
	RCFL-A*4824(RGTM-09?ZAJ?)	39,500 [11.6]	28,000 [8.2]	11,500 [3.4]	11.50	13.50	75	1,250 [590]
	RCFL-A*4824(RGTM-10?RBJ?)	40,000 [11.7]	29,700 [8.7]	10,300 [3.0]	11.50	13.00	75	1,425 [672]
	RCFL-A*4824(RHWP-08WRX60B)	40,000 [11.7]	29,400 [8.6]	10,600 [3.1]	11.50	14.00	75	1,350 [637]
	RCFL-A*4824(RHWP-10WRX60B)	40,500 [11.9]	29,900 [8.8]	10,600 [3.1]	11.50	14.00	75	1,400 [661]
	RCFL-A*4824(ROCA-070E03)	39,000 [11.4]	27,600 [8.1]	11,400 [3.3]	11.00	13.50	75	1,200 [566]
	RCFL-A*4824(ROCA-070E04)	39,000 [11.4]	27,600 [8.1]	11,400 [3.3]	11.00	13.50	75	1,200 [566]
	RCFL-A*4824(ROLA-070E03)	39,000 [11.4]	27,400 [8.0]	11,600 [3.4]	11.50	13.50	75	1,175 [554]
	RCFL-A*4824(ROLA-070E04)	40,000 [11.7]	29,200 [8.6]	10,800 [3.2]	11.50	13.50	75	1,375 [649]
	RCFL-A*4824(ROLA-115E05)	40,000 [11.7]	29,200 [8.6]	10,800 [3.2]	11.00	13.50	75	1,400 [661]
RCFL-A*4824+RXMD-C04	39,500 [11.6]	28,900 [8.5]	10,600 [3.1]	10.50	13.00	75	1,375 [649]	
13AJN42	RCFL-H*4821(R95TA0401317MSA)	39,000 [11.4]	27,300 [8.0]	11,700 [3.4]	11.00	13.50	75	1,175 [554]
	RCFL-H*4821(R95TA0601317MSA)	39,000 [11.4]	27,600 [8.1]	11,400 [3.3]	11.00	13.00	75	1,225 [578]
	RCFL-H*4821(R95TA0701317MSA)	38,500 [11.3]	26,600 [7.8]	11,900 [3.5]	11.00	13.00	75	1,125 [531]
	RCFL-H*4821(R95TA0851521MSA)	40,000 [11.7]	29,800 [8.7]	10,200 [3.0]	11.00	13.00	75	1,450 [684]
	RCFL-H*4821(R95TA1001521MSA)	40,000 [11.7]	29,700 [8.7]	10,300 [3.0]	11.00	13.00	75	1,425 [672]
	RCFL-H*4821(U96VA0852521MSB)	39,500 [11.6]	28,700 [8.4]	10,800 [3.2]	11.00	13.00	75	1,350 [637]
	RCFL-H*4821(R96VA0852521MSB)	39,500 [11.6]	28,700 [8.4]	10,800 [3.2]	11.00	13.00	75	1,350 [637]
	RCFL-H*4821(U96VA1002521MSA)	39,500 [11.6]	28,600 [8.4]	10,900 [3.2]	11.50	13.50	75	1,325 [625]
	RCFL-H*4821(R96VA1002521MSA)	39,500 [11.6]	28,600 [8.4]	10,900 [3.2]	11.50	13.50	75	1,325 [625]
	RCFL-H*4821(RGFE-09?ZCM?)	39,000 [11.4]	27,500 [8.1]	11,500 [3.4]	11.50	13.50	75	1,200 [566]
	RCFL-H*4821(RGFE-10?ZCM?)	39,000 [11.4]	27,600 [8.1]	11,400 [3.3]	11.50	13.00	75	1,225 [578]
	RCFL-H*4821(RGFG-06EMCKS)	39,000 [11.4]	27,500 [8.1]	11,500 [3.4]	11.00	13.00	75	1,200 [566]
	RCFL-H*4821(RGFG-06NMCKS)	39,000 [11.4]	27,500 [8.1]	11,500 [3.4]	11.00	13.00	75	1,200 [566]
	RCFL-H*4821(RGFG-09EZCMS)	39,000 [11.4]	27,500 [8.1]	11,500 [3.4]	11.50	13.50	75	1,200 [566]
	RCFL-H*4821(RGFG-09NZCMS)	39,000 [11.4]	27,500 [8.1]	11,500 [3.4]	11.50	13.50	75	1,200 [566]
	RCFL-H*4821(RGFG-10EZCMS)	39,000 [11.4]	27,500 [8.1]	11,500 [3.4]	11.50	13.50	75	1,200 [566]
	RCFL-H*4821(RGFG-10NZCMS)	39,000 [11.4]	27,500 [8.1]	11,500 [3.4]	11.50	13.50	75	1,200 [566]
	RCFL-H*4821(RGGE-06?MCK?)	39,000 [11.4]	27,400 [8.0]	11,600 [3.4]	11.00	13.00	75	1,200 [566]
	RCFL-H*4821(RGGE-07?MCK?)	39,000 [11.4]	27,400 [8.0]	11,600 [3.4]	11.00	13.00	75	1,200 [566]
	RCFL-H*4821(RGGE-09?ZCM?)	39,500 [11.6]	27,800 [8.1]	11,700 [3.4]	11.50	13.50	75	1,225 [578]
	RCFL-H*4821(RGGE-10?ZCM?)	39,000 [11.4]	27,600 [8.1]	11,400 [3.3]	11.00	13.50	75	1,200 [566]
	RCFL-H*4821(RGJF-06?MCK?)	39,000 [11.4]	27,400 [8.0]	11,600 [3.4]	10.50	13.00	75	1,200 [566]
	RCFL-H*4821(RGJF-07?MCK?)	39,000 [11.4]	27,400 [8.0]	11,600 [3.4]	11.00	13.00	75	1,200 [566]
	RCFL-H*4821(RGJF-09?ZCM?)	39,500 [11.6]	27,800 [8.1]	11,700 [3.4]	11.50	13.50	75	1,225 [578]
	RCFL-H*4821(RGJF-10?ZCM?)	39,000 [11.4]	27,600 [8.1]	11,400 [3.3]	11.00	13.50	75	1,200 [566]
	RCFL-H*4821(RGLE-07?AMK?)	39,000 [11.4]	27,600 [8.1]	11,400 [3.3]	11.00	13.50	75	1,200 [566]
	RCFL-H*4821(RGLE-07?BRQ?)	40,000 [11.7]	29,200 [8.6]	10,800 [3.2]	11.50	13.50	75	1,400 [661]
	RCFL-H*4821(RGLE-10?BRM?)	39,500 [11.6]	27,800 [8.1]	11,700 [3.4]	11.50	14.00	75	1,200 [566]
	RCFL-H*4821(RGLT-07?AMK?)	39,000 [11.4]	27,200 [8.0]	11,800 [3.5]	11.00	13.50	75	1,150 [543]

① Highest sales volume tested combination required by D.O.E. test procedures.

[] Designates Metric Conversions

Performance Data @ AHRI Standard Conditions—Cooling

Model Numbers		80°F [26.5°C] DB/67°F [19.5°C] WB Indoor Air 95°F [35°C] DB Outdoor Air					Sound Rating dB	Indoor CFM [L/s]
Outdoor Unit 13A*N	Indoor Coil and/or Air Handler	Total Capacity BTU/H [kW]	Net Sensible BTU/H [kW]	Net Latent BTU/H [kW]	EER	SEER		
Rev. 9/3/14	RCFL-H*4821(RGLT-07?BRQ?)	40,000 [11.7]	29,800 [8.7]	10,200 [3.0]	11.50	13.00	75	1,450 [684]
	RCFL-H*4821(RGLT-10?BRM?)	39,500 [11.6]	28,200 [8.3]	11,300 [3.3]	11.50	13.50	75	1,250 [590]
13AJN42	RCFL-H*4821(RGPE-05?BMK?)	39,000 [11.4]	27,400 [8.0]	11,600 [3.4]	11.00	13.00	75	1,200 [566]
	RCFL-H*4821(RGPE-07?AMK?)	39,000 [11.4]	27,800 [8.1]	11,200 [3.3]	11.00	13.00	75	1,225 [578]
	RCFL-H*4821(RGPE-07?BRQ?)	39,500 [11.6]	28,000 [8.2]	11,500 [3.4]	11.50	14.00	75	1,225 [578]
	RCFL-H*4821(RGPE-10?BRM?)	39,500 [11.6]	28,000 [8.2]	11,500 [3.4]	11.50	14.00	75	1,225 [578]
	RCFL-H*4821(RGPT-05?BMK?)	39,000 [11.4]	27,600 [8.1]	11,400 [3.3]	11.00	13.00	75	1,225 [578]
	RCFL-H*4821(RGPT-07?AMK?)	39,000 [11.4]	27,700 [8.1]	11,300 [3.3]	11.50	13.00	75	1,250 [590]
	RCFL-H*4821(RGPT-07?BRQ?)	39,500 [11.6]	28,100 [8.2]	11,400 [3.3]	11.50	13.50	75	1,225 [578]
	RCFL-H*4821(RGPT-10?BRM?)	39,500 [11.6]	28,000 [8.2]	11,500 [3.4]	11.50	14.00	75	1,225 [578]
	RCFL-H*4821(RGRM-09?ZAJ?)	39,000 [11.4]	27,600 [8.1]	11,400 [3.3]	11.00	13.00	75	1,225 [578]
	RCFL-H*4821(RGRM-10?ZAJ?)	39,000 [11.4]	27,200 [8.0]	11,800 [3.5]	11.50	13.00	75	1,150 [543]
	RCFL-H*4821(RGTM-06?MAE?)	39,000 [11.4]	27,600 [8.1]	11,400 [3.3]	11.00	13.00	75	1,225 [578]
	RCFL-H*4821(RGTM-07?RBG?)	39,500 [11.6]	28,600 [8.4]	10,900 [3.2]	11.50	13.50	75	1,325 [625]
	RCFL-H*4821(RGTM-09?ZAJ?)	39,500 [11.6]	28,200 [8.3]	11,300 [3.3]	11.50	13.50	75	1,250 [590]
	RCFL-H*4821(RHWP-04WMX36B)	39,000 [11.4]	27,500 [8.1]	11,500 [3.4]	11.50	13.50	75	1,200 [566]
	RCFL-H*4821(RHWP-06WMX48B)	39,500 [11.6]	28,600 [8.4]	10,900 [3.2]	11.00	13.00	75	1,325 [625]
	RCFL-H*4821(ROCA-070E03)	39,000 [11.4]	27,500 [8.1]	11,500 [3.4]	11.00	13.50	75	1,200 [566]
	RCFL-H*4821(ROCA-070E04)	39,000 [11.4]	27,500 [8.1]	11,500 [3.4]	11.00	13.50	75	1,200 [566]
	RCFL-H*4821(ROLA-070E03)	39,000 [11.4]	27,300 [8.0]	11,700 [3.4]	11.50	13.50	75	1,175 [554]
	RCFL-H*4821(ROLA-070E04)	39,000 [11.4]	27,300 [8.0]	11,700 [3.4]	11.50	13.50	75	1,175 [554]
	RCFL-H*4821(ROLA-115E05)	39,500 [11.6]	28,000 [8.2]	11,500 [3.4]	11.50	13.50	75	1,200 [566]
	RCFL-H*4824(R95TA0851521MSA)	40,000 [11.7]	29,800 [8.7]	10,200 [3.0]	11.00	13.00	75	1,450 [684]
	RCFL-H*4824(R95TA1001521MSA)	40,000 [11.7]	29,700 [8.7]	10,300 [3.0]	11.00	13.00	75	1,425 [672]
	RCFL-H*4824(R95TA1151524MSA)	40,000 [11.7]	29,700 [8.7]	10,300 [3.0]	11.00	13.00	75	1,425 [672]
	RCFL-H*4824(R96VA0852521MSB)	39,500 [11.6]	28,300 [8.3]	11,200 [3.3]	11.50	13.50	75	1,275 [602]
	RCFL-H*4824(U96VA0852521MSB)	39,500 [11.6]	28,300 [8.3]	11,200 [3.3]	11.50	13.50	75	1,275 [602]
	RCFL-H*4824(U96VA1002521MSA)	39,500 [11.6]	28,600 [8.4]	10,900 [3.2]	11.50	13.50	75	1,325 [625]
	RCFL-H*4824(R96VA1002521MSA)	39,500 [11.6]	28,600 [8.4]	10,900 [3.2]	11.50	13.50	75	1,325 [625]
	RCFL-H*4824(RGFE-09?ZCM?)	39,000 [11.4]	27,600 [8.1]	11,400 [3.3]	11.50	13.50	75	1,200 [566]
	RCFL-H*4824(RGFE-10?ZCM?)	39,000 [11.4]	27,600 [8.1]	11,400 [3.3]	11.50	13.50	75	1,225 [578]
	RCFL-H*4824(RGFE-12?RCM?)	39,500 [11.6]	27,800 [8.1]	11,700 [3.4]	11.50	13.50	75	1,225 [578]
	RCFL-H*4824(RGFG-09EZCMS)	39,000 [11.4]	27,600 [8.1]	11,400 [3.3]	11.50	13.50	75	1,200 [566]
	RCFL-H*4824(RGFG-09NZCMS)	39,000 [11.4]	27,600 [8.1]	11,400 [3.3]	11.50	13.50	75	1,200 [566]
	RCFL-H*4824(RGFG-10EZCMS)	39,000 [11.4]	27,600 [8.1]	11,400 [3.3]	11.00	13.50	75	1,200 [566]
	RCFL-H*4824(RGFG-10NZCMS)	39,000 [11.4]	27,600 [8.1]	11,400 [3.3]	11.00	13.50	75	1,200 [566]
	RCFL-H*4824(RGFG-12ERCMS)	39,500 [11.6]	27,800 [8.1]	11,700 [3.4]	11.50	13.50	75	1,225 [578]
	RCFL-H*4824(RGFG-12NRCMS)	39,500 [11.6]	27,800 [8.1]	11,700 [3.4]	11.50	13.50	75	1,225 [578]
	RCFL-H*4824(RGGE-09?ZCM?)	39,500 [11.6]	27,800 [8.1]	11,700 [3.4]	11.50	13.50	75	1,225 [578]
	RCFL-H*4824(RGGE-10?ZCM?)	39,000 [11.4]	27,600 [8.1]	11,400 [3.3]	11.00	13.50	75	1,200 [566]
	RCFL-H*4824(RGGE-12?RCM?)	39,500 [11.6]	27,800 [8.1]	11,700 [3.4]	11.50	14.00	75	1,200 [566]
	RCFL-H*4824(RGJF-09?ZCM?)	39,500 [11.6]	27,800 [8.1]	11,700 [3.4]	11.50	13.50	75	1,225 [578]
RCFL-H*4824(RGJF-10?ZCM?)	39,000 [11.4]	27,600 [8.1]	11,400 [3.3]	11.00	13.50	75	1,200 [566]	
RCFL-H*4824(RGJF-12?RCM?)	39,500 [11.6]	27,800 [8.1]	11,700 [3.4]	11.50	14.00	75	1,200 [566]	
RCFL-H*4824(RGLE-07?BRQ?)	40,000 [11.7]	29,400 [8.6]	10,600 [3.1]	11.50	13.00	75	1,400 [661]	
RCFL-H*4824(RGLE-10?BRM?)	39,500 [11.6]	27,800 [8.1]	11,700 [3.4]	11.50	14.00	75	1,200 [566]	
RCFL-H*4824(RGLE-12?ARM?)	39,500 [11.6]	28,000 [8.2]	11,500 [3.4]	11.50	14.00	75	1,225 [578]	
RCFL-H*4824(RGLT-07?BRQ?)	40,000 [11.7]	29,800 [8.7]	10,200 [3.0]	11.50	13.00	75	1,450 [684]	
RCFL-H*4824(RGLT-10?BRM?)	39,500 [11.6]	28,200 [8.3]	11,300 [3.3]	11.50	13.50	75	1,250 [590]	
RCFL-H*4824(RGLT-12?ARM?)	40,000 [11.7]	29,400 [8.6]	10,600 [3.1]	11.50	13.50	75	1,375 [649]	

① Highest sales volume tested combination required by D.O.E. test procedures.

[] Designates Metric Conversions

Performance Data @ AHRI Standard Conditions—Cooling

Model Numbers		80°F [26.5°C] DB/67°F [19.5°C] WB Indoor Air 95°F [35°C] DB Outdoor Air					Sound Rating dB	Indoor CFM [L/s]
Outdoor Unit 13A*N	Indoor Coil and/or Air Handler	Total Capacity BTU/H [kW]	Net Sensible BTU/H [kW]	Net Latent BTU/H [kW]	EER	SEER		
Rev. 9/3/14	RCFL-H*4824(RGPE-07?BRQ?)	39,500 [11.6]	28,000 [8.2]	11,500 [3.4]	11.50	14.00	75	1,225 [578]
	RCFL-H*4824(RGPE-10?BRM?)	39,500 [11.6]	28,000 [8.2]	11,500 [3.4]	11.50	14.00	75	1,225 [578]
	RCFL-H*4824(RGPE-12?ARM?)	39,500 [11.6]	27,800 [8.1]	11,700 [3.4]	11.50	14.00	75	1,200 [566]
	RCFL-H*4824(RGPT-07?BRQ?)	39,500 [11.6]	28,200 [8.3]	11,300 [3.3]	11.50	14.00	75	1,250 [590]
	RCFL-H*4824(RGPT-10?BRM?)	39,500 [11.6]	28,000 [8.2]	11,500 [3.4]	11.50	14.00	75	1,225 [578]
	RCFL-H*4824(RGPT-12?ARM?)	40,000 [11.7]	29,400 [8.6]	10,600 [3.1]	11.50	13.50	75	1,375 [649]
	RCFL-H*4824(RGRM-09?ZAJ?)	39,000 [11.4]	27,600 [8.1]	11,400 [3.3]	11.00	13.00	75	1,225 [578]
	RCFL-H*4824(RGRM-10?ZAJ?)	39,000 [11.4]	27,000 [7.9]	12,000 [3.5]	11.00	13.00	75	1,150 [543]
	RCFL-H*4824(RGRM-12?RAJ?)	39,000 [11.4]	27,600 [8.1]	11,400 [3.3]	11.50	13.50	75	1,225 [578]
	RCFL-H*4824(RGTM-07?RBG?)	39,500 [11.6]	28,600 [8.4]	10,900 [3.2]	11.50	13.50	75	1,325 [625]
	RCFL-H*4824(RGTM-09?ZAJ?)	39,500 [11.6]	28,200 [8.3]	11,300 [3.3]	11.50	13.50	75	1,250 [590]
	RCFL-H*4824(RGTM-10?RBJ?)	40,000 [11.7]	29,700 [8.7]	10,300 [3.0]	11.50	13.00	75	1,425 [672]
	RCFL-H*4824(RHWP-08WRX60B)	40,000 [11.7]	29,400 [8.6]	10,600 [3.1]	11.50	14.00	75	1,350 [637]
	RCFL-H*4824(RHWP-10WRX60B)	40,000 [11.7]	29,400 [8.6]	10,600 [3.1]	11.50	14.00	75	1,400 [661]
	RCFL-H*4824(ROCA-070E03)	39,000 [11.4]	27,600 [8.1]	11,400 [3.3]	11.00	13.50	75	1,200 [566]
	RCFL-H*4824(ROCA-070E04)	39,000 [11.4]	27,600 [8.1]	11,400 [3.3]	11.00	13.50	75	1,200 [566]
	RCFL-H*4824(ROLA-070E03)	39,000 [11.4]	27,400 [8.0]	11,600 [3.4]	11.50	13.50	75	1,175 [554]
	RCFL-H*4824(ROLA-070E04)	40,000 [11.7]	29,200 [8.6]	10,800 [3.2]	11.00	13.50	75	1,375 [649]
	RCFL-H*4824(ROLA-115E05)	39,500 [11.6]	27,600 [8.1]	11,900 [3.5]	11.50	13.50	75	1,200 [566]
	RCFL-H*4824+RXMD-C04	39,500 [11.6]	28,900 [8.5]	10,600 [3.1]	10.50	13.00	75	1,375 [649]
	RCFN-H*4824	42,000 [12.3]	33,300 [9.8]	8,700 [2.5]	11.50	13.50	75	1,375 [649]
	RCFN-H*4824(R95TA0851521MSA)	41,000 [12.0]	30,900 [9.1]	10,100 [3.0]	11.50	13.50	75	1,375 [649]
	RCFN-H*4824(R95TA1001521MSA)	41,000 [12.0]	31,400 [9.2]	9,600 [2.8]	11.50	13.50	75	1,450 [684]
	RCFN-H*4824(R95TA1151524MSA)	40,500 [11.9]	30,200 [8.8]	10,300 [3.0]	11.50	13.50	75	1,325 [625]
13AJN42	RCFN-H*4824(R96VA0852521MSB)	40,000 [11.7]	29,000 [8.5]	11,000 [3.2]	11.50	13.50	75	1,200 [566]
	RCFN-H*4824(U96VA0852521MSB)	40,000 [11.7]	29,000 [8.5]	11,000 [3.2]	11.50	13.50	75	1,200 [566]
	RCFN-H*4824(U96VA1002521MSA)	40,500 [11.9]	29,600 [8.7]	10,900 [3.2]	11.50	13.50	75	1,225 [578]
	RCFN-H*4824(R96VA1002521MSA)	40,500 [11.9]	29,600 [8.7]	10,900 [3.2]	11.50	13.50	75	1,225 [578]
	RCFN-H*4824(RHWP-08WRX60B)	41,000 [12.0]	30,900 [9.1]	10,100 [3.0]	11.50	14.00	75	1,400 [661]
	RCFN-H*4824(RHWP-10WRX60B)	41,500 [12.2]	31,900 [9.3]	9,600 [2.8]	12.00	14.50	75	1,450 [684]
	RBHP-24(RCHL-48A1)	39,500 [11.6]	30,200 [8.8]	9,300 [2.7]	11.50	13.50	75	1,400 [661]
	RCQD-4821(R95TA0401317MSA)	41,000 [12.0]	29,000 [8.5]	12,000 [3.5]	11.00	13.50	75	1,175 [554]
	RCQD-4821(R95TA0601317MSA)	41,000 [12.0]	29,400 [8.6]	11,600 [3.4]	11.00	13.00	75	1,250 [590]
	RCQD-4821(R95TA0701317MSA)	41,000 [12.0]	28,900 [8.5]	12,100 [3.5]	11.00	13.00	75	1,150 [543]
	RCQD-4821(R95TA0851521MSA)	41,000 [12.0]	30,800 [9.0]	10,200 [3.0]	11.50	13.50	75	1,350 [637]
	RCQD-4821(R95TA1001521MSA)	41,000 [12.0]	31,200 [9.1]	9,800 [2.9]	11.00	13.00	75	1,425 [672]
	RCQD-4821(U96VA0852521MSB)	42,000 [12.3]	31,100 [9.1]	10,900 [3.2]	11.00	13.50	75	1,350 [637]
	RCQD-4821(R96VA0852521MSB)	42,000 [12.3]	31,100 [9.1]	10,900 [3.2]	11.00	13.50	75	1,350 [637]
	RCQD-4821(U96VA1002521MSA)	41,000 [12.0]	30,900 [9.1]	10,100 [3.0]	11.50	13.50	75	1,400 [661]
	RCQD-4821(R96VA1002521MSA)	41,000 [12.0]	30,900 [9.1]	10,100 [3.0]	11.50	13.50	75	1,400 [661]
	RCQD-4821(RGFE-06?MCK?)	39,500 [11.6]	28,500 [8.4]	11,000 [3.2]	11.50	13.00	75	1,200 [566]
	RCQD-4821(RGFE-09?ZCM?)	40,000 [11.7]	29,000 [8.5]	11,000 [3.2]	11.50	13.50	75	1,200 [566]
	RCQD-4821(RGFE-10?ZCM?)	40,000 [11.7]	29,100 [8.5]	10,900 [3.2]	11.50	13.50	75	1,225 [578]
	RCQD-4821(RGFG-06EMCKS)	39,500 [11.6]	28,500 [8.4]	11,000 [3.2]	11.00	13.00	75	1,200 [566]
	RCQD-4821(RGFG-06NMCKS)	39,500 [11.6]	28,500 [8.4]	11,000 [3.2]	11.00	13.00	75	1,200 [566]
	RCQD-4821(RGFG-09EZCMS)	40,000 [11.7]	29,000 [8.5]	11,000 [3.2]	11.50	13.50	75	1,200 [566]
	RCQD-4821(RGFG-09NZCMS)	40,000 [11.7]	29,000 [8.5]	11,000 [3.2]	11.50	13.50	75	1,200 [566]
	RCQD-4821(RGFG-10EZCMS)	40,000 [11.7]	29,000 [8.5]	11,000 [3.2]	11.50	13.50	75	1,200 [566]
	RCQD-4821(RGFG-10NZCMS)	40,000 [11.7]	29,000 [8.5]	11,000 [3.2]	11.50	13.50	75	1,200 [566]
	RCQD-4821(RGJF-06?MCK?)	40,000 [11.7]	29,000 [8.5]	11,000 [3.2]	11.00	13.00	75	1,200 [566]

① Highest sales volume tested combination required by D.O.E. test procedures.

[] Designates Metric Conversions

Performance Data @ AHRI Standard Conditions—Cooling

Model Numbers		80°F [26.5°C] DB/67°F [19.5°C] WB Indoor Air 95°F [35°C] DB Outdoor Air					Sound Rating dB	Indoor CFM [L/s]
Outdoor Unit 13A*N	Indoor Coil and/or Air Handler	Total Capacity BTU/H [kW]	Net Sensible BTU/H [kW]	Net Latent BTU/H [kW]	EER	SEER		
Rev. 9/3/14	RCQD-4824(RGRM-09?ZAJ?)	40,000 [11.7]	29,100 [8.5]	10,900 [3.2]	11.50	13.50	75	1,225 [578]
	RCQD-4824(RGRM-10?ZAJ?)	40,000 [11.7]	28,700 [8.4]	11,300 [3.3]	11.50	13.50	75	1,150 [543]
	RCQD-4824(RGRM-12?RAJ?)	40,500 [11.9]	29,600 [8.7]	10,900 [3.2]	11.50	13.50	75	1,225 [578]
	RCQD-4824(RGTM-07?RBG?)	40,500 [11.9]	30,200 [8.8]	10,300 [3.0]	11.50	13.50	75	1,325 [625]
	RCQD-4824(RGTM-09?ZAJ?)	40,500 [11.9]	29,800 [8.7]	10,700 [3.1]	11.50	13.50	75	1,250 [590]
	RCQD-4824(RGTM-10?RBJ?)	40,500 [11.9]	29,600 [8.7]	10,900 [3.2]	11.50	14.00	75	1,225 [578]
	RCQD-4824(RHWP-08WRX60B)	43,000 [12.6]	33,800 [9.9]	9,200 [2.7]	11.50	14.00	75	1,400 [661]
	RCQD-4824(RHWP-10WRX60B)	41,500 [12.2]	32,000 [9.4]	9,500 [2.8]	11.50	14.00	75	1,475 [696]
	RCQD-4824(ROCA-070E03)	40,000 [11.7]	29,000 [8.5]	11,000 [3.2]	11.50	13.50	75	1,200 [566]
	RCQD-4824(ROCA-070E04)	40,000 [11.7]	29,000 [8.5]	11,000 [3.2]	11.50	13.50	75	1,200 [566]
	RCQD-4824(ROCB-072E04)	40,000 [11.7]	29,000 [8.5]	11,000 [3.2]	11.50	13.50	75	1,200 [566]
	RCQD-4824(ROLA-070E04)	41,000 [12.0]	30,900 [9.1]	10,100 [3.0]	11.50	13.50	75	1,375 [649]
	RCQD-4824(ROLA-115E05)	40,500 [11.9]	29,500 [8.6]	11,000 [3.2]	11.50	14.00	75	1,200 [566]
	RHKL-HM3821(RCSL-H*3821)	39,500 [11.6]	27,800 [8.1]	11,700 [3.4]	11.50	14.00	75	1,200 [566]
	RHLL-HM3821(RCSL-H*3821)	39,500 [11.6]	27,600 [8.1]	11,900 [3.5]	11.50	14.00	75	1,175 [554]
	RHKL-HM4821(RCSL-H*4821)	40,000 [11.7]	29,400 [8.6]	10,600 [3.1]	11.50	13.50	75	1,400 [661]
	RHLL-HM4821(RCSL-H*4821)	40,000 [11.7]	29,400 [8.6]	10,600 [3.1]	11.50	14.00	75	1,400 [661]
	RHSL-HM4221(RCSL-H*4821)	40,000 [11.7]	29,650 [8.7]	10,350 [3.0]	11.00	13.00	75	1,425 [672]
	13AJN42	RCFL-H*4821+RXMD-C04 ①	47,500 [13.9]	34,400 [10.1]	13,100 [3.8]	10.50	13.00	73
RH1P4821STAN		46,000 [13.5]	33,300 [9.8]	12,700 [3.7]	10.50	13.00	73	1,550 [731]
RH1T4821STAN		46,500 [13.6]	32,150 [9.4]	14,350 [4.2]	11.50	13.50	73	1,400 [661]
RH1T4821STAN		48,500 [14.2]	34,900 [10.2]	13,600 [4.0]	11.50	14.00	73	1,600 [755]
RH1T4824STAN		48,500 [14.2]	34,900 [10.2]	13,600 [4.0]	11.50	14.00	73	1,600 [755]
RH1V4821STAN		47,000 [13.8]	32,800 [9.6]	14,200 [4.2]	11.50	13.50	73	1,400 [661]
RH1V4824STAN		48,000 [14.1]	35,300 [10.3]	12,700 [3.7]	11.50	13.50	73	1,625 [767]
RCFL-A*4821(R95TA0851521MSA)		46,500 [13.6]	32,500 [9.5]	14,000 [4.1]	11.00	13.00	73	1,425 [672]
RCFL-A*4821(R95TA1001521MSA)		47,000 [13.8]	33,300 [9.8]	13,700 [4.0]	11.50	13.00	73	1,475 [696]
RCFL-A*4821(R96VA0852521MSB)		46,500 [13.6]	32,000 [9.4]	14,500 [4.2]	11.00	13.00	73	1,350 [637]
RCFL-A*4821(U96VA0852521MSB)		46,500 [13.6]	32,000 [9.4]	14,500 [4.2]	11.00	13.00	73	1,350 [637]
RCFL-A*4821(U96VA1002521MSA)		46,500 [13.6]	32,300 [9.5]	14,200 [4.2]	11.00	13.00	73	1,400 [661]
RCFL-A*4821(R96VA1002521MSA)		46,500 [13.6]	32,300 [9.5]	14,200 [4.2]	11.00	13.00	73	1,400 [661]
RCFL-A*4821(RGFE-09?ZCM?)		46,000 [13.5]	31,000 [9.1]	15,000 [4.4]	11.00	13.00	73	1,275 [602]
RCFL-A*4821(RGFG-09EZCMS)		46,000 [13.5]	31,000 [9.1]	15,000 [4.4]	11.00	13.00	73	1,275 [602]
RCFL-A*4821(RGFG-09NZCMS)		46,000 [13.5]	31,000 [9.1]	15,000 [4.4]	11.00	13.00	73	1,275 [602]
RCFL-A*4821(RGFG-10EZCMS)		46,000 [13.5]	31,000 [9.1]	15,000 [4.4]	11.00	13.00	73	1,275 [602]
RCFL-A*4821(RGFG-10NZCMS)		46,000 [13.5]	31,000 [9.1]	15,000 [4.4]	11.00	13.00	73	1,275 [602]
RCFL-A*4821(RGGE-09?ZCM?)		46,500 [13.6]	32,300 [9.5]	14,200 [4.2]	11.50	13.00	73	1,400 [661]
RCFL-A*4821(RGGE-10?ZCM?)		46,000 [13.5]	31,000 [9.1]	15,000 [4.4]	11.00	13.00	73	1,275 [602]
RCFL-A*4821(RGLE-07?BRQ?)		47,000 [13.8]	32,600 [9.6]	14,400 [4.2]	11.00	13.00	73	1,400 [661]
RCFL-A*4821(RGLE-10?BRM?)		47,000 [13.8]	32,800 [9.6]	14,200 [4.2]	11.50	13.50	73	1,400 [661]
RCFL-A*4821(RGLT-07?AMK?)		46,500 [13.6]	31,800 [9.3]	14,700 [4.3]	11.00	13.50	73	1,325 [625]
RCFL-A*4821(RGLT-07?BRQ?)		47,000 [13.8]	33,000 [9.7]	14,000 [4.1]	11.00	13.00	73	1,425 [672]
RCFL-A*4821(RGLT-10?BRM?)		47,000 [13.8]	32,600 [9.6]	14,400 [4.2]	11.00	13.00	73	1,400 [661]
RCFL-A*4821(RGPE-07?BRQ?)		47,000 [13.8]	32,600 [9.6]	14,400 [4.2]	11.00	13.00	73	1,400 [661]
RCFL-A*4821(RGPE-10?BRM?)		47,500 [13.9]	34,600 [10.1]	12,900 [3.8]	11.00	13.00	73	1,550 [731]
RCFL-A*4821(RGPT-07?AMK?)		46,500 [13.6]	31,800 [9.3]	14,700 [4.3]	11.00	13.00	73	1,325 [625]
RCFL-A*4821(RGPT-07?BRQ?)		47,000 [13.8]	32,900 [9.6]	14,100 [4.1]	11.00	13.50	73	1,425 [672]
RCFL-A*4821(RGPT-10?BRM?)		47,000 [13.8]	32,600 [9.6]	14,400 [4.2]	11.00	13.50	73	1,400 [661]
RCFL-A*4821(RGTM-07?RBG?)		47,000 [13.8]	33,400 [9.8]	13,600 [4.0]	11.00	13.00	73	1,475 [696]
RCFL-A*4821(RGTM-09?ZAJ?)		46,500 [13.6]	32,400 [9.5]	14,100 [4.1]	11.00	13.00	73	1,400 [661]

① Highest sales volume tested combination required by D.O.E. test procedures.

[] Designates Metric Conversions

Performance Data @ AHRI Standard Conditions—Cooling

Model Numbers		80°F [26.5°C] DB/67°F [19.5°C] WB Indoor Air 95°F [35°C] DB Outdoor Air					Sound Rating dB	Indoor CFM [L/s]
Outdoor Unit 13A*N	Indoor Coil and/or Air Handler	Total Capacity BTU/H [kW]	Net Sensible BTU/H [kW]	Net Latent BTU/H [kW]	EER	SEER		
Rev. 9/3/14	RCFL-H*4821(RGFE-09?ZCM?)	46,000 [13.5]	31,000 [9.1]	15,000 [4.4]	11.00	13.00	73	1,275 [602]
	RCFL-H*4821(RGFG-09EZCMS)	46,000 [13.5]	31,000 [9.1]	15,000 [4.4]	11.00	13.00	73	1,275 [602]
	RCFL-H*4821(RGFG-09NZCMS)	46,000 [13.5]	31,000 [9.1]	15,000 [4.4]	11.00	13.00	73	1,275 [602]
	RCFL-H*4821(RGFG-10EZCMS)	46,000 [13.5]	31,000 [9.1]	15,000 [4.4]	11.00	13.00	73	1,275 [602]
	RCFL-H*4821(RGFG-10NZCMS)	46,000 [13.5]	31,000 [9.1]	15,000 [4.4]	11.00	13.00	73	1,275 [602]
	RCFL-H*4821(RGGE-09?ZCM?)	46,500 [13.6]	32,400 [9.5]	14,100 [4.1]	11.00	13.00	73	1,400 [661]
	RCFL-H*4821(RGGE-10?ZCM?)	46,000 [13.5]	31,000 [9.1]	15,000 [4.4]	11.00	13.00	73	1,275 [602]
	RCFL-H*4821(RGJF-09?ZCM?)	46,500 [13.6]	32,300 [9.5]	14,200 [4.2]	11.00	13.00	73	1,400 [661]
	RCFL-H*4821(RGJF-10?ZCM?)	46,000 [13.5]	31,000 [9.1]	15,000 [4.4]	11.00	13.00	73	1,275 [602]
	RCFL-H*4821(RGLE-07?BRQ?)	47,000 [13.8]	32,600 [9.6]	14,400 [4.2]	11.00	13.00	73	1,400 [661]
	RCFL-H*4821(RGLE-10?BRM?)	47,000 [13.8]	32,800 [9.6]	14,200 [4.2]	11.50	13.50	73	1,400 [661]
	RCFL-H*4821(RGLT-07?AMK?)	46,500 [13.6]	31,800 [9.3]	14,700 [4.3]	11.00	13.50	73	1,325 [625]
	RCFL-H*4821(RGLT-07?BRQ?)	47,000 [13.8]	33,000 [9.7]	14,000 [4.1]	11.00	13.00	73	1,425 [672]
	RCFL-H*4821(RGLT-10?BRM?)	47,000 [13.8]	32,600 [9.6]	14,400 [4.2]	11.00	13.00	73	1,400 [661]
	RCFL-H*4821(RGPE-07?BRQ?)	47,000 [13.8]	32,600 [9.6]	14,400 [4.2]	11.00	13.00	73	1,400 [661]
	RCFL-H*4821(RGPE-10?BRM?)	47,000 [13.8]	32,600 [9.6]	14,400 [4.2]	11.00	13.00	73	1,400 [661]
	RCFL-H*4821(RGPT-07?AMK?)	46,500 [13.6]	31,800 [9.3]	14,700 [4.3]	11.00	13.00	73	1,325 [625]
	RCFL-H*4821(RGPT-07?BRQ?)	47,000 [13.8]	32,900 [9.6]	14,100 [4.1]	11.00	13.50	73	1,425 [672]
	RCFL-H*4821(RGPT-10?BRM?)	47,000 [13.8]	33,000 [9.7]	14,000 [4.1]	11.50	13.50	73	1,425 [672]
	RCFL-H*4821(RGTM-07?RBG?)	47,000 [13.8]	33,400 [9.8]	13,600 [4.0]	11.00	13.00	73	1,475 [696]
	RCFL-H*4821(RGTM-09?ZAJ?)	46,500 [13.6]	32,300 [9.5]	14,200 [4.2]	11.00	13.00	73	1,400 [661]
	RCFL-H*4821(RHWP-04WXM36B)	46,500 [13.6]	31,600 [9.3]	14,900 [4.4]	11.00	13.00	73	1,300 [613]
	RCFL-H*4821(RHWP-06WXM48B)	46,000 [13.5]	31,100 [9.1]	14,900 [4.4]	11.00	13.00	73	1,300 [613]
	RCFL-H*4821(ROLA-070E04)	46,500 [13.6]	32,200 [9.4]	14,300 [4.2]	11.00	13.00	73	1,375 [649]
13AJN48	RCFL-H*4821(ROLA-115E05)	47,000 [13.8]	32,600 [9.6]	14,400 [4.2]	11.00	13.00	73	1,400 [661]
	RCFL-H*4824(R95TA0851521MSA)	46,500 [13.6]	32,500 [9.5]	14,000 [4.1]	11.00	13.00	73	1,425 [672]
	RCFL-H*4824(R95TA1001521MSA)	47,000 [13.8]	33,300 [9.8]	13,700 [4.0]	11.00	13.00	73	1,475 [696]
	RCFL-H*4824(R95TA1151524MSA)	46,500 [13.6]	32,300 [9.5]	14,200 [4.2]	11.00	13.00	73	1,400 [661]
	RCFL-H*4824(R96VA0852521MSB)	46,500 [13.6]	32,000 [9.4]	14,500 [4.2]	11.00	13.00	73	1,350 [637]
	RCFL-H*4824(U96VA0852521MSB)	46,500 [13.6]	32,000 [9.4]	14,500 [4.2]	11.00	13.00	73	1,350 [637]
	RCFL-H*4824(U96VA1002521MSA)	47,000 [13.8]	32,800 [9.6]	14,200 [4.2]	11.00	13.00	73	1,400 [661]
	RCFL-H*4824(R96VA1002521MSA)	47,000 [13.8]	32,800 [9.6]	14,200 [4.2]	11.00	13.00	73	1,400 [661]
	RCFL-H*4824(RGFE-09?ZCM?)	46,000 [13.5]	31,000 [9.1]	15,000 [4.4]	11.00	13.00	73	1,275 [602]
	RCFL-H*4824(RGFE-12?RCM?)	47,000 [13.8]	33,000 [9.7]	14,000 [4.1]	11.00	13.00	73	1,450 [684]
	RCFL-H*4824(RGFG-09EZCMS)	46,000 [13.5]	31,000 [9.1]	15,000 [4.4]	11.00	13.00	73	1,275 [602]
	RCFL-H*4824(RGFG-09NZCMS)	46,000 [13.5]	31,000 [9.1]	15,000 [4.4]	11.00	13.00	73	1,275 [602]
	RCFL-H*4824(RGFG-10EZCMS)	46,000 [13.5]	31,000 [9.1]	15,000 [4.4]	11.00	13.00	73	1,275 [602]
	RCFL-H*4824(RGFG-10NZCMS)	46,000 [13.5]	31,000 [9.1]	15,000 [4.4]	11.00	13.00	73	1,275 [602]
	RCFL-H*4824(RGFG-12ERCMS)	47,000 [13.8]	33,000 [9.7]	14,000 [4.1]	11.00	13.00	73	1,450 [684]
	RCFL-H*4824(RGFG-12NRCMS)	47,000 [13.8]	33,000 [9.7]	14,000 [4.1]	11.00	13.00	73	1,450 [684]
	RCFL-H*4824(RGGE-09?ZCM?)	46,500 [13.6]	32,400 [9.5]	14,100 [4.1]	11.00	13.00	73	1,400 [661]
	RCFL-H*4824(RGGE-10?ZCM?)	46,000 [13.5]	31,000 [9.1]	15,000 [4.4]	11.00	13.00	73	1,275 [602]
	RCFL-H*4824(RGGE-12?RCM?)	46,500 [13.6]	32,200 [9.4]	14,300 [4.2]	11.00	13.00	73	1,375 [649]
	RCFL-H*4824(RGJF-09?ZCM?)	46,500 [13.6]	32,300 [9.5]	14,200 [4.2]	11.00	13.00	73	1,400 [661]
	RCFL-H*4824(RGJF-10?ZCM?)	46,000 [13.5]	31,000 [9.1]	15,000 [4.4]	11.00	13.00	73	1,275 [602]
	RCFL-H*4824(RGJF-12?RCM?)	47,500 [13.9]	34,400 [10.1]	13,100 [3.8]	11.00	13.00	73	1,575 [743]
	RCFL-H*4824(RGLE-07?BRQ?)	47,000 [13.8]	32,600 [9.6]	14,400 [4.2]	11.00	13.00	73	1,400 [661]
	RCFL-H*4824(RGLE-10?BRM?)	47,000 [13.8]	32,800 [9.6]	14,200 [4.2]	11.50	13.50	73	1,400 [661]
	RCFL-H*4824(RGLE-12?ARM?)	47,000 [13.8]	33,000 [9.7]	14,000 [4.1]	11.50	13.50	73	1,425 [672]
	RCFL-H*4824(RGLT-07?BRQ?)	47,000 [13.8]	33,000 [9.7]	14,000 [4.1]	11.00	13.00	73	1,425 [672]

① Highest sales volume tested combination required by D.O.E. test procedures.

[] Designates Metric Conversions

Performance Data @ AHRI Standard Conditions—Cooling

Model Numbers		80°F [26.5°C] DB/67°F [19.5°C] WB Indoor Air 95°F [35°C] DB Outdoor Air					Sound Rating dB	Indoor CFM [L/s]
Outdoor Unit 13A*N	Indoor Coil and/or Air Handler	Total Capacity BTU/H [kW]	Net Sensible BTU/H [kW]	Net Latent BTU/H [kW]	EER	SEER		
Rev. 9/3/14	RCFN-H*4824(RGPT-10?BRM?)	48,000 [14.1]	35,000 [10.3]	13,000 [3.8]	11.50	13.50	73	1,450 [684]
	RCFN-H*4824(RGPT-12?ARM?)	48,000 [14.1]	34,500 [10.1]	13,500 [4.0]	11.50	14.00	73	1,375 [649]
13AJN48	RCFN-H*4824(RGRM-09?ZAJ?)	47,000 [13.8]	33,700 [9.9]	13,300 [3.9]	11.50	13.00	73	1,400 [661]
	RCFN-H*4824(RGRM-10?ZAJ?)	47,500 [13.9]	34,400 [10.1]	13,100 [3.8]	11.50	13.00	73	1,425 [672]
	RCFN-H*4824(RGRM-12?RAJ?)	47,500 [13.9]	34,400 [10.1]	13,100 [3.8]	11.50	13.50	73	1,425 [672]
	RCFN-H*4824(RGTM-07?RBG?)	48,000 [14.1]	35,200 [10.3]	12,800 [3.8]	11.50	13.50	73	1,475 [696]
	RCFN-H*4824(RGTM-09?ZAJ?)	47,500 [13.9]	34,200 [10.0]	13,300 [3.9]	11.50	13.50	73	1,400 [661]
	RCFN-H*4824(RGTM-10?RBJ?)	48,000 [14.1]	34,900 [10.2]	13,100 [3.8]	11.50	13.50	73	1,425 [672]
	RCFN-H*4824(RHWP-08WRX60B)	48,500 [14.2]	35,900 [10.5]	12,600 [3.7]	11.50	14.00	73	1,500 [708]
	RCFN-H*4824(RHWP-10WRX60B)	49,000 [14.4]	36,700 [10.8]	12,300 [3.6]	11.50	14.00	73	1,550 [731]
	RCFN-H*4824(ROCA-070E04)	47,500 [13.9]	34,200 [10.0]	13,300 [3.9]	11.50	13.00	73	1,400 [661]
	RCFN-H*4824(ROLA-070E04)	47,500 [13.9]	34,000 [10.0]	13,500 [4.0]	11.50	13.50	73	1,375 [649]
	RCFN-H*4824(ROLA-115E05)	48,000 [14.1]	35,400 [10.4]	12,600 [3.7]	11.50	13.50	73	1,500 [708]
	RBHP-24(RCHL-48A1)	46,000 [13.5]	33,500 [9.8]	12,500 [3.7]	11.00	13.50	73	1,400 [661]
	RCQD-4821(R95TA0851521MSA)	47,500 [13.9]	34,000 [10.0]	13,500 [4.0]	11.00	13.00	73	1,375 [649]
	RCQD-4821(R95TA1001521MSA)	48,000 [14.1]	35,500 [10.4]	12,500 [3.7]	11.00	13.00	73	1,525 [720]
	RCQD-4821(U96VA0852521MSB)	47,500 [13.9]	33,900 [9.9]	13,600 [4.0]	11.00	13.00	73	1,350 [637]
	RCQD-4821(R96VA0852521MSB)	47,500 [13.9]	33,900 [9.9]	13,600 [4.0]	11.00	13.00	73	1,350 [637]
	RCQD-4821(U96VA1002521MSA)	47,500 [13.9]	34,200 [10.0]	13,300 [3.9]	11.00	13.50	73	1,400 [661]
	RCQD-4821(R96VA1002521MSA)	47,500 [13.9]	34,200 [10.0]	13,300 [3.9]	11.00	13.50	73	1,400 [661]
	RCQD-4821(RGFE-09?ZCM?)	47,500 [13.9]	34,200 [10.0]	13,300 [3.9]	11.00	13.00	73	1,400 [661]
	RCQD-4821(RGFE-10?ZCM?)	47,500 [13.9]	34,400 [10.1]	13,100 [3.8]	11.00	13.00	73	1,425 [672]
	RCQD-4821(RGFG-09EZCMS)	47,500 [13.9]	34,200 [10.0]	13,300 [3.9]	11.00	13.00	73	1,400 [661]
	RCQD-4821(RGFG-09NZCMS)	47,500 [13.9]	34,200 [10.0]	13,300 [3.9]	11.00	13.00	73	1,400 [661]
	RCQD-4821(RGFG-10EZCMS)	47,500 [13.9]	34,200 [10.0]	13,300 [3.9]	11.00	13.00	73	1,400 [661]
	RCQD-4821(RGFG-10NZCMS)	47,500 [13.9]	34,200 [10.0]	13,300 [3.9]	11.00	13.00	73	1,400 [661]
	RCQD-4821(RGJF-09?ZCM?)	47,500 [13.9]	34,200 [10.0]	13,300 [3.9]	11.00	13.00	73	1,400 [661]
	RCQD-4821(RGJF-10?ZCM?)	47,500 [13.9]	34,200 [10.0]	13,300 [3.9]	11.00	13.00	73	1,400 [661]
	RCQD-4821(RGPE-07?BRQ?)	47,500 [13.9]	34,200 [10.0]	13,300 [3.9]	11.50	13.00	73	1,400 [661]
	RCQD-4821(RGPE-10?BRM?)	48,500 [14.2]	36,200 [10.6]	12,300 [3.6]	11.50	13.00	73	1,550 [731]
	RCQD-4821(RGPT-07?AMK?)	47,000 [13.8]	33,200 [9.7]	13,800 [4.0]	11.00	13.00	73	1,325 [625]
	RCQD-4821(RGPT-07?BRQ?)	48,000 [14.1]	34,900 [10.2]	13,100 [3.8]	11.50	13.50	73	1,425 [672]
	RCQD-4821(RGPT-10?BRM?)	48,000 [14.1]	34,900 [10.2]	13,100 [3.8]	11.50	13.50	73	1,425 [672]
	RCQD-4821(RGRM-09?ZAJ?)	47,000 [13.8]	33,700 [9.9]	13,300 [3.9]	11.00	13.00	73	1,400 [661]
	RCQD-4821(RGRM-10?ZAJ?)	47,000 [13.8]	33,900 [9.9]	13,100 [3.8]	11.50	13.00	73	1,425 [672]
	RCQD-4821(RGTM-07?RBG?)	48,000 [14.1]	35,200 [10.3]	12,800 [3.8]	11.00	13.00	73	1,475 [696]
	RCQD-4821(RGTM-09?ZAJ?)	47,500 [13.9]	34,200 [10.0]	13,300 [3.9]	11.00	13.00	73	1,400 [661]
	RCQD-4821(RHWP-04WMX36B)	47,000 [13.8]	33,200 [9.7]	13,800 [4.0]	11.50	13.50	73	1,325 [625]
	RCQD-4821(RHWP-06WMX48B)	47,000 [13.8]	33,200 [9.7]	13,800 [4.0]	11.00	13.00	73	1,325 [625]
	RCQD-4821(ROCA-070E04)	47,000 [13.8]	33,700 [9.9]	13,300 [3.9]	11.00	13.00	73	1,400 [661]
	RCQD-4821(ROLA-070E04)	47,500 [13.9]	34,000 [10.0]	13,500 [4.0]	11.50	13.00	73	1,375 [649]
	RCQD-4821(ROLA-115E05)	47,500 [13.9]	34,200 [10.0]	13,300 [3.9]	11.50	13.00	73	1,400 [661]
RCQD-4821+RXMD-C04	48,000 [14.1]	35,900 [10.5]	12,100 [3.5]	10.50	13.00	73	1,550 [731]	
RCQD-4824(R95TA0851521MSA)	47,500 [13.9]	34,000 [10.0]	13,500 [4.0]	11.00	13.00	73	1,375 [649]	
RCQD-4824(R95TA1001521MSA)	48,000 [14.1]	35,000 [10.3]	13,000 [3.8]	11.50	13.50	73	1,450 [684]	
RCQD-4824(R95TA1151524MSA)	48,000 [14.1]	36,200 [10.6]	11,800 [3.5]	11.00	13.00	73	1,625 [767]	
RCQD-4824(U96VA0852521MSB)	47,500 [13.9]	33,900 [9.9]	13,600 [4.0]	11.50	13.50	73	1,350 [637]	
RCQD-4824(R96VA0852521MSB)	47,500 [13.9]	33,900 [9.9]	13,600 [4.0]	11.50	13.50	73	1,350 [637]	
RCQD-4824(U96VA1002521MSA)	47,500 [13.9]	34,200 [10.0]	13,300 [3.9]	11.50	13.50	73	1,400 [661]	
RCQD-4824(R96VA1002521MSA)	47,500 [13.9]	34,200 [10.0]	13,300 [3.9]	11.50	13.50	73	1,400 [661]	

① Highest sales volume tested combination required by D.O.E. test procedures.

[] Designates Metric Conversions

Performance Data @ AHRI Standard Conditions—Cooling

Model Numbers		80°F [26.5°C] DB/67°F [19.5°C] WB Indoor Air 95°F [35°C] DB Outdoor Air					Sound Rating dB	Indoor CFM [L/s]	
Outdoor Unit 13A*N	Indoor Coil and/or Air Handler	Total Capacity BTU/H [kW]	Net Sensible BTU/H [kW]	Net Latent BTU/H [kW]	EER	SEER			
13AJN48	Rev. 9/3/14	RCQD-4824(RGFE-09?ZCM?)	47,500 [13.9]	34,200 [10.0]	13,300 [3.9]	11.00	13.00	73	1,400 [661]
		RCQD-4824(RGFE-10?ZCM?)	47,500 [13.9]	34,400 [10.1]	13,100 [3.8]	11.00	13.00	73	1,425 [672]
		RCQD-4824(RGFE-12?RCM?)	48,000 [14.1]	35,000 [10.3]	13,000 [3.8]	11.50	13.00	73	1,450 [684]
		RCQD-4824(RGFG-09EZCMS)	47,500 [13.9]	34,200 [10.0]	13,300 [3.9]	11.00	13.00	73	1,400 [661]
		RCQD-4824(RGFG-09NZCMS)	47,500 [13.9]	34,200 [10.0]	13,300 [3.9]	11.00	13.00	73	1,400 [661]
		RCQD-4824(RGFG-10EZCMS)	47,500 [13.9]	34,200 [10.0]	13,300 [3.9]	11.00	13.00	73	1,400 [661]
		RCQD-4824(RGFG-10NZCMS)	47,500 [13.9]	34,200 [10.0]	13,300 [3.9]	11.00	13.00	73	1,400 [661]
		RCQD-4824(RGFG-12ERCMS)	48,000 [14.1]	35,000 [10.3]	13,000 [3.8]	11.50	13.00	73	1,450 [684]
		RCQD-4824(RGFG-12NRCMS)	48,000 [14.1]	35,000 [10.3]	13,000 [3.8]	11.50	13.00	73	1,450 [684]
		RCQD-4824(RGJF-09?ZCM?)	47,500 [13.9]	34,200 [10.0]	13,300 [3.9]	11.50	13.00	73	1,400 [661]
		RCQD-4824(RGJF-10?ZCM?)	47,500 [13.9]	34,200 [10.0]	13,300 [3.9]	11.50	13.00	73	1,400 [661]
		RCQD-4824(RGJF-12?RCM?)	47,500 [13.9]	34,000 [10.0]	13,500 [4.0]	11.50	13.50	73	1,375 [649]
		RCQD-4824(RGPE-07?BRQ?)	47,500 [13.9]	34,200 [10.0]	13,300 [3.9]	11.50	13.50	73	1,400 [661]
		RCQD-4824(RGPE-10?BRM?)	47,500 [13.9]	34,200 [10.0]	13,300 [3.9]	11.50	13.50	73	1,400 [661]
		RCQD-4824(RGPE-12?ARM?)	48,500 [14.2]	36,000 [10.5]	12,500 [3.7]	11.50	13.50	73	1,525 [720]
		RCQD-4824(RGPT-07?BRQ?)	48,000 [14.1]	35,200 [10.3]	12,800 [3.8]	11.50	13.50	73	1,475 [696]
		RCQD-4824(RGPT-10?BRM?)	48,000 [14.1]	35,000 [10.3]	13,000 [3.8]	11.50	13.50	73	1,450 [684]
		RCQD-4824(RGPT-12?ARM?)	48,000 [14.1]	34,700 [10.2]	13,300 [3.9]	11.50	13.50	73	1,400 [661]
		RCQD-4824(RGRM-09?ZAJ?)	47,000 [13.8]	33,700 [9.9]	13,300 [3.9]	11.00	13.00	73	1,400 [661]
		RCQD-4824(RGRM-10?ZAJ?)	47,500 [13.9]	34,400 [10.1]	13,100 [3.8]	11.00	13.00	73	1,425 [672]
		RCQD-4824(RGRM-12?RAJ?)	47,500 [13.9]	34,400 [10.1]	13,100 [3.8]	11.50	13.00	73	1,425 [672]
		RCQD-4824(RGTM-07?RBG?)	48,000 [14.1]	35,200 [10.3]	12,800 [3.8]	11.50	13.00	73	1,475 [696]
		RCQD-4824(RGTM-09?ZAJ?)	47,500 [13.9]	34,200 [10.0]	13,300 [3.9]	11.50	13.00	73	1,400 [661]
		RCQD-4824(RGTM-10?RBJ?)	48,000 [14.1]	34,900 [10.2]	13,100 [3.8]	11.50	13.00	73	1,425 [672]
		RCQD-4824(RHWP-08WRX60B)	49,000 [14.4]	37,600 [11.0]	11,400 [3.3]	11.50	13.50	73	1,675 [790]
		RCQD-4824(RHWP-10WRX60B)	49,000 [14.4]	36,700 [10.8]	12,300 [3.6]	11.50	13.50	73	1,550 [731]
		RCQD-4824(ROCA-070E04)	47,500 [13.9]	34,200 [10.0]	13,300 [3.9]	11.00	13.00	73	1,400 [661]
		RCQD-4824(ROLA-070E04)	47,500 [13.9]	34,000 [10.0]	13,500 [4.0]	11.50	13.00	73	1,375 [649]
		RCQD-4824(ROLA-115E05)	47,500 [13.9]	34,200 [10.0]	13,300 [3.9]	11.50	13.00	73	1,400 [661]
		RCQD-4824+RXMD-C04	48,000 [14.1]	35,900 [10.5]	12,100 [3.5]	10.50	13.00	73	1,550 [731]
		RHKL-HM4821(RCSL-H*4821)	47,000 [13.8]	32,800 [9.6]	14,200 [4.2]	11.50	13.50	73	1,400 [661]
		RHLL-HM4821(RCSL-H*4821)	46,500 [13.6]	32,150 [9.4]	14,350 [4.2]	11.50	13.50	73	1,400 [661]
		RHSL-HM4821(RCSL-H*4821)	46,000 [13.5]	33,300 [9.8]	12,700 [3.7]	10.50	13.00	73	1,550 [731]
		RHKL-HM4824(RCSL-H*4824)	48,000 [14.1]	35,300 [10.3]	12,700 [3.7]	11.50	13.50	73	1,625 [767]
	RHLL-HM4824(RCSL-H*4824)	48,500 [14.2]	35,400 [10.4]	13,100 [3.8]	11.50	14.00	73	1,625 [767]	
	RHSL-HM4824(RCSL-H*4824)	46,000 [13.5]	33,300 [9.8]	12,700 [3.7]	10.50	13.00	73	1,550 [731]	
13AJN60		RCFL-H*6024+RXMD-C04 ①	56,500 [16.6]	38,950 [11.4]	17,550 [5.1]	10.50	13.00	74	1,525 [720]
		RH1T6024STAN	57,500 [16.8]	40,600 [11.9]	16,900 [5.0]	11.50	13.50	74	1,600 [755]
		RH1V6024STAN	58,000 [17.0]	37,800 [11.1]	20,200 [5.9]	11.50	13.50	74	1,600 [755]
		RCFL-A*6024(RGGE-12?RCM?)	57,000 [16.7]	40,000 [11.7]	17,000 [5.0]	10.50	13.00	74	1,575 [743]
		RCFL-A*6024(RGLE-10?BRM?)	57,000 [16.7]	40,100 [11.7]	16,900 [5.0]	10.50	13.00	74	1,600 [755]
		RCFL-A*6024(RGLE-12?ARM?)	57,000 [16.7]	40,100 [11.7]	16,900 [5.0]	10.50	13.00	74	1,600 [755]
		RCFL-A*6024(RGLT-12?ARM?)	57,500 [16.8]	41,500 [12.2]	16,000 [4.7]	10.50	13.00	74	1,700 [802]
		RCFL-A*6024(RGPE-10?BRM?)	57,000 [16.7]	40,300 [11.8]	16,700 [4.9]	10.50	13.00	74	1,625 [767]
		RCFL-A*6024(RGPE-12?ARM?)	57,500 [16.8]	40,500 [11.9]	17,000 [5.0]	10.50	13.00	74	1,625 [767]
		RCFL-A*6024(RGPT-12?ARM?)	57,500 [16.8]	41,500 [12.2]	16,000 [4.7]	10.50	13.00	74	1,700 [802]
		RCFL-A*6024(RHWP-08WRX60B)	57,500 [16.8]	40,900 [12.0]	16,600 [4.9]	11.00	13.00	74	1,650 [779]
		RCFL-A*6024(RHWP-10WRX60B)	58,000 [17.0]	41,800 [12.2]	16,200 [4.7]	11.00	13.00	74	1,700 [802]
		RCFL-A*6024+RXMD-C04	56,500 [16.6]	38,950 [11.4]	17,550 [5.1]	10.50	13.00	74	1,525 [720]
		RCFL-H*6024(RGGE-12?RCM?)	57,000 [16.7]	40,000 [11.7]	17,000 [5.0]	10.50	13.00	74	1,575 [743]

① Highest sales volume tested combination required by D.O.E. test procedures.

[] Designates Metric Conversions

Performance Data @ AHRI Standard Conditions—Cooling

Model Numbers		80°F [26.5°C] DB/67°F [19.5°C] WB Indoor Air 95°F [35°C] DB Outdoor Air					Sound Rating dB	Indoor CFM [L/s]
Outdoor Unit 13A*N	Indoor Coil and/or Air Handler	Total Capacity BTU/H [kW]	Net Sensible BTU/H [kW]	Net Latent BTU/H [kW]	EER	SEER		
Rev. 9/3/14	RCFL-H*6024(RGJF-12?RCM?)	57,000 [16.7]	40,000 [11.7]	17,000 [5.0]	10.50	13.00	74	1,575 [743]
	RCFL-H*6024(RGLE-10?BRM?)	57,000 [16.7]	40,100 [11.7]	16,900 [5.0]	10.50	13.00	74	1,600 [755]
	RCFL-H*6024(RGLE-12?ARM?)	57,000 [16.7]	40,100 [11.7]	16,900 [5.0]	10.50	13.00	74	1,600 [755]
	RCFL-H*6024(RGLT-12?ARM?)	57,500 [16.8]	41,500 [12.2]	16,000 [4.7]	10.50	13.00	74	1,700 [802]
	RCFL-H*6024(RGPE-10?BRM?)	57,000 [16.7]	40,300 [11.8]	16,700 [4.9]	10.50	13.00	74	1,625 [767]
	RCFL-H*6024(RGPE-12?ARM?)	57,500 [16.8]	40,500 [11.9]	17,000 [5.0]	10.50	13.00	74	1,625 [767]
	RCFL-H*6024(RGPT-12?ARM?)	57,500 [16.8]	41,500 [12.2]	16,000 [4.7]	10.50	13.00	74	1,700 [802]
	RCFL-H*6024(RHWP-08WRX60B)	57,500 [16.8]	40,900 [12.0]	16,600 [4.9]	11.00	13.00	74	1,650 [779]
	RCFL-H*6024(RHWP-10WRX60B)	58,000 [17.0]	41,800 [12.2]	16,200 [4.7]	11.00	13.00	74	1,700 [802]
	RCFN-H*6024(RGGE-12?RCM?)	57,000 [16.7]	39,900 [11.7]	17,100 [5.0]	10.50	13.00	74	1,575 [743]
13AJN60	RCFN-H*6024(RGJF-12?RCM?)	57,000 [16.7]	39,900 [11.7]	17,100 [5.0]	10.50	13.00	74	1,575 [743]
	RCFN-H*6024(RGLE-10?BRM?)	57,000 [16.7]	40,100 [11.7]	16,900 [5.0]	10.50	13.00	74	1,600 [755]
	RCFN-H*6024(RGLE-12?ARM?)	57,000 [16.7]	40,100 [11.7]	16,900 [5.0]	10.50	13.00	74	1,600 [755]
	RCFN-H*6024(RGLT-12?ARM?)	57,500 [16.8]	41,400 [12.1]	16,100 [4.7]	10.50	13.00	74	1,700 [802]
	RCFN-H*6024(RGPE-10?BRM?)	57,000 [16.7]	40,300 [11.8]	16,700 [4.9]	10.50	13.00	74	1,625 [767]
	RCFN-H*6024(RGPE-12?ARM?)	57,500 [16.8]	40,800 [12.0]	16,700 [4.9]	10.50	13.00	74	1,625 [767]
	RCFN-H*6024(RGPT-12?ARM?)	57,500 [16.8]	41,400 [12.1]	16,100 [4.7]	10.50	13.00	74	1,700 [802]
	RCFN-H*6024(RHWP-08WRX60B)	57,500 [16.8]	41,200 [12.1]	16,300 [4.8]	11.00	13.00	74	1,675 [790]
	RCFN-H*6024(RHWP-10WRX60B)	58,000 [17.0]	42,100 [12.3]	15,900 [4.7]	11.00	13.00	74	1,725 [814]
	RBHP-25(RCHL-60A1)	57,000 [16.7]	42,300 [12.4]	14,700 [4.3]	11.00	13.00	74	1,800 [849]
	RCQD-6024(RHWP-10WRX60B)	56,500 [16.6]	40,700 [11.9]	15,800 [4.6]	11.00	13.00	74	1,725 [814]
	RHKL-HM6024(RCSL-H*6024)	58,000 [17.0]	41,100 [12.0]	16,900 [5.0]	11.00	13.50	74	1,600 [755]
	RHLL-HM6024(RCSL-H*6024)	57,500 [16.8]	40,600 [11.9]	16,900 [5.0]	11.50	13.50	74	1,600 [755]

① Highest sales volume tested combination required by D.O.E. test procedures.

[] Designates Metric Conversions

Electrical and Physical Data

Model Number 13AJN	ELECTRICAL							PHYSICAL					
	Phase Frequency (Hz) Voltage (Volts)	Compressor		Fan Motor Full Load Amperes (FLA)	Minimum Circuit Ampacity Amperes	Fuse or HACR Circuit Breaker		Outdoor Coil			Refrig. Per Circuit Oz. [g]	Weight	
		Rated Load Amperes (RLA)	Locked Rotor Amperes (LRA)			Minimum Amperes	Maximum Amperes	Face Area Sq. Ft. [m ²]	No. Rows	CFM [L/s]		Net Lbs. [kg]	Shipping Lbs. [kg]
Rev. 5/17/2012													
18	1-60-208/230	9/9	46	0.6	12/12	15/15	20/20	7.13 [0.66]	1	1415 [668]	67.4 [1911]	120 [54.4]	128 [54.4]
24	1-60-208/230	13.5/13.5	58.3	0.6	18/18	25/25	30/30	8.43 [0.78]	1	1665 [786]	67.8 [1922]	121 [54.9]	129 [54.9]
30	1-60-208/230	12.8/12.8	64	0.8	17/17	25/25	25/25	8.70 [0.81]	1	2075 [979]	75.0 [2126]	139 [63.1]	147 [63.1]
36	1-60-208/230	16.7/16.7	79	0.8	22/22	30/30	35/35	13.72 [1.27]	1	2540 [1199]	90.6 [2569]	149 [67.6]	157 [67.6]
42	1-60-208/230	17.9/17.9	112	1.2	24/24	30/30	40/40	13.72 [1.27]	1	2540 [1199]	106.0 [3005]	149 [67.6]	157 [67.6]
48	1-60-208/230	21.8/21.8	117	1.2	29/29	35/35	50/50	16.39 [1.52]	1	3290 [1553]	116.1 [3291]	188 [85.3]	192 [85.3]
60	1-60-208/230	26.4/26.4	134	1.2	35/35	45/45	60/60	19.17 [1.78]	1	3380 [1595]	157.2 [4457]	223 [101.2]	234 [101.2]

Model Number 13ACN	ELECTRICAL							PHYSICAL					
	Phase Frequency (Hz) Voltage (Volts)	Compressor		Fan Motor Full Load Amperes (FLA)	Minimum Circuit Ampacity Amperes	Fuse or HACR Circuit Breaker		Outdoor Coil			Refrig. Per Circuit Oz. [g]	Weight	
		Rated Load Amperes (RLA)	Locked Rotor Amperes (LRA)			Minimum Amperes	Maximum Amperes	Face Area Sq. Ft. [m ²]	No. Rows	CFM [L/s]		Net Lbs. [kg]	Shipping Lbs. [kg]
Rev. 5/17/2012													
36	3-60-208/230	10.4/10.4	73	0.8	14/14	20/20	20/20	13.72 [1.27]	1	2540 [1199]	90.6 [2569]	149 [67.6]	157 [67.6]
42	3-60-208/230	13.2/13.2	88	1.2	18/18	25/25	30/30	13.72 [1.27]	1	2540 [1199]	106.0 [3005]	149 [67.6]	157 [67.6]
48	3-60-208/230	13.7/13.7	83.1	1.2	19/19	25/25	30/30	16.39 [1.52]	1	3290 [1553]	116.1 [3291]	188 [85.3]	192 [85.3]
60	3-60-208/230	16/16	110	1.2	22/22	30/30	35/35	19.17 [1.78]	1	3380 [1595]	157.2 [4457]	223 [101.2]	234 [101.2]

Model Number 13ADN	ELECTRICAL							PHYSICAL					
	Phase Frequency (Hz) Voltage (Volts)	Compressor		Fan Motor Full Load Amperes (FLA)	Minimum Circuit Ampacity Amperes	Fuse or HACR Circuit Breaker		Outdoor Coil			Refrig. Per Circuit Oz. [g]	Weight	
		Rated Load Amperes (RLA)	Locked Rotor Amperes (LRA)			Minimum Amperes	Maximum Amperes	Face Area Sq. Ft. [m ²]	No. Rows	CFM [L/s]		Net Lbs. [kg]	Shipping Lbs. [kg]
Rev. 5/17/2012													
36	3-60-460	5.8/5.8	38	0.35	8/8	15/15	15/15	13.72 [1.27]	1	2540 [1199]	90.6 [2569]	149 [67.6]	157 [67.6]
42	3-60-460	6/6	44	0.8	9/9	15/15	15/15	13.72 [1.27]	1	2540 [1199]	106.0 [3005]	149 [67.6]	157 [67.6]
48	3-60-460	6.2/6.2	41	0.8	9/9	15/15	15/15	16.39 [1.52]	1	3290 [1553]	116.1 [3291]	188 [85.3]	192 [85.3]
60	3-60-460	7.8/7.8	52	0.8	11/11	15/15	15/15	19.17 [1.78]	1	3380 [1595]	157.2 [4457]	223 [101.2]	234 [101.2]

Model Number 13AYN	ELECTRICAL							PHYSICAL					
	Phase Frequency (Hz) Voltage (Volts)	Compressor		Fan Motor Full Load Amperes (FLA)	Minimum Circuit Ampacity Amperes	Fuse or HACR Circuit Breaker		Outdoor Coil			Refrig. Per Circuit Oz. [g]	Weight	
		Rated Load Amperes (RLA)	Locked Rotor Amperes (LRA)			Minimum Amperes	Maximum Amperes	Face Area Sq. Ft. [m ²]	No. Rows	CFM [L/s]		Net Lbs. [kg]	Shipping Lbs. [kg]
Rev. 5/17/2012													
48	3-60-575	4.8/4.8	33	0.8	7/7	15/15	15/15	16.39 [1.52]	1	3290 [1553]	116.1 [3291]	188 [85.3]	192 [85.3]
60	3-60-575	5.7/5.7	38.9	0.8	8/8	15/15	15/15	19.17 [1.78]	1	3380 [1595]	157.2 [4457]	223 [101.2]	234 [101.2]

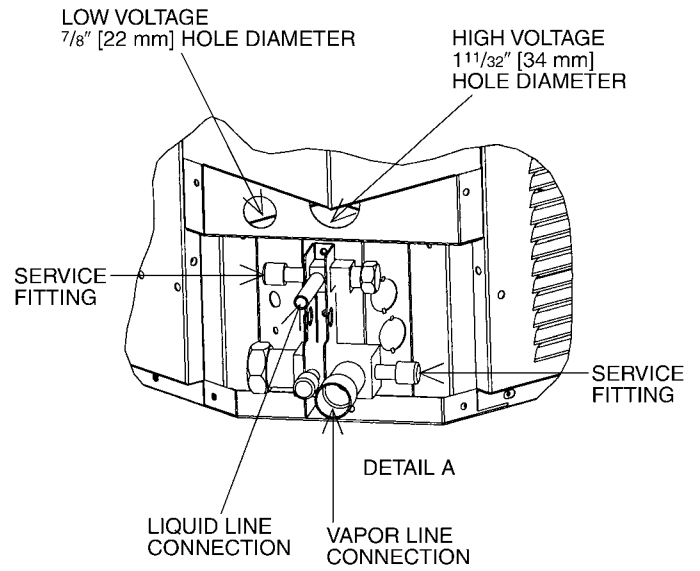
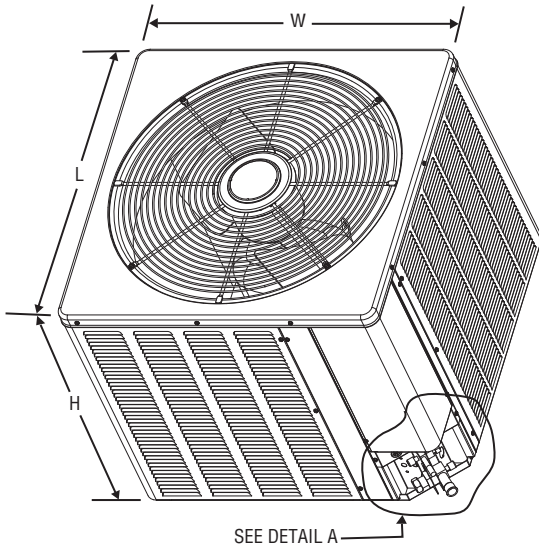
NOTE: Factory Refrigerant Charge includes refrigerant for 15 feet of standard line set.

[] Designates Metric Conversions

Unit Dimensions

Model No. 13A(-)N	Unit Dimensions		
	Width "W" Inches	Length "L" Inches	Height "H" Inches
18, 24	23 ⁵ / ₈ [600]	23 ⁵ / ₈ [600]	24 ¹ / ₄ [616]
30, 36, 42	27 ⁵ / ₈ [702]	27 ⁵ / ₈ [702]	24 ¹ / ₄ [616]
48	31 ⁵ / ₈ [803]	31 ⁵ / ₈ [803]	27 ¹⁵ / ₁₆ [710]
60	31 ⁵ / ₈ [803]	31 ⁵ / ₈ [803]	35 ¹⁵ / ₁₆ [913]

[] Designates Metric Conversions



Condensing Unit Refrigerant Line Size Information

Liquid Line Sizing														
System Capacity	Liquid Line Connection Size (Inch I.D.) [mm]	Line Size (Inch O.D.) [mm]	Outdoor Unit Above Indoor Coil (Cooling Only—Does not apply to Heat Pumps)						Outdoor Unit Below Indoor Coil (Cooling Only—Does not apply to Heat Pumps)					
			Total Equivalent Length—Feet [m]						Total Equivalent Length—Feet [m]					
			25 [7.62]	50 [15.24]	75 [22.86]	100 [30.48]	125 [38.10]	150 [45.72]	25 [7.62]	50 [15.24]	75 [22.86]	100 [30.48]	125 [38.10]	150 [45.72]
			Minimum Vertical Separation—Feet [m]						Maximum Vertical Separation—Feet [m]					
-18	3/8" [9.53]	1/4 [6.35]	0	0	0	14 [4.27]	28 [8.53]	43 [13.11]	25 [7.62]	15 [4.57]	N/A	N/A	N/A	N/A
		5/16 [7.93]	0	0	0	0	0	0	25 [7.62]	37 [11.28]	33 [10.06]	29 [8.84]	26 [7.93]	22 [6.71]
		3/8 [9.53]*	0	0	0	0	0	0	25 [7.62]	42 [12.80]	40 [12.19]	39 [11.89]	38 [11.58]	36 [10.97]
-24	3/8" [9.53]	1/4 [6.35]	0	9 [2.74]	35 [10.67]	61 [18.59]	88 [26.82]	114 [34.75]	18 [5.49]	N/A	N/A	N/A	N/A	N/A
		5/16 [7.93]	0	0	0	0	0	0	25 [7.62]	31 [9.45]	24 [7.32]	17 [5.18]	10 [3.05]	N/A
		3/8 [9.53]*	0	0	0	0	0	0	25 [7.62]	39 [11.89]	37 [11.28]	35 [10.67]	32 [9.75]	30 [9.14]
-30	3/8" [9.53]	1/4 [6.35]	0	13 [3.96]	47 [14.33]	82 [24.99]	117 [35.66]	151 [46.03]	22 [6.71]	N/A	N/A	N/A	N/A	N/A
		5/16 [7.93]	0	0	0	0	0	0	25 [7.62]	39 [11.89]	31 [9.45]	22 [6.71]	13 [3.96]	N/A
		3/8 [9.53]*	0	0	0	0	0	0	25 [7.62]	50 [15.24]	48 [14.63]	45 [13.72]	42 [12.80]	39 [11.89]
-36	3/8" [9.53]	5/16 [7.93]	0	0	0	0	0	4 [1.22]	25 [7.62]	47 [14.33]	35 [10.67]	22 [6.71]	9 [2.74]	N/A
		3/8 [9.53]*	0	0	0	0	0	0	25 [7.62]	50 [15.24]	60 [18.29]	55 [16.76]	51 [15.55]	46 [14.02]
		1/2 [12.70]	0	0	0	0	0	0	25 [7.62]	50 [15.24]	70 [21.34]	69 [21.03]	68 [20.73]	68 [20.73]
-42	3/8" [9.53]	5/16 [7.93]	0	0	0	0	0	4 [1.22]	25 [7.62]	50 [15.24]	44 [13.41]	28 [8.53]	12 [3.66]	N/A
		3/8 [9.53]*	0	0	0	0	0	0	25 [7.62]	50 [15.24]	75 [22.86]	70 [21.34]	65 [19.81]	59 [17.98]
		1/2 [12.70]	0	0	0	0	0	0	25 [7.62]	50 [15.24]	75 [22.86]	88 [26.82]	87 [26.52]	86 [26.21]
-48	3/8" [9.53]	5/16 [7.93]	0	0	0	21 [6.40]	44 [13.41]	66 [20.12]	25 [7.62]	24 [7.32]	N/A	N/A	N/A	N/A
		3/8 [9.53]*	0	0	0	0	0	0	25 [7.62]	50 [15.24]	47 [14.33]	39 [11.89]	31 [9.45]	23 [7.01]
		1/2 [12.70]	0	0	0	0	0	0	25 [7.62]	50 [15.24]	65 [19.81]	64 [19.51]	62 [18.90]	61 [18.59]
-60	3/8" [9.53]	3/8 [9.53]*	0	0	0	0	0	0	25 [7.62]	50 [15.24]	53 [16.15]	42 [12.80]	31 [9.45]	20 [6.10]
		1/2 [12.70]	0	0	0	0	0	0	25 [7.62]	50 [15.24]	75 [22.86]	77 [23.47]	75 [22.86]	73 [22.25]

NOTES: *Standard line size
N/A = Application not recommended.

Suction Line Length/Size versus Capacity Multiplier (R-410A)									
Unit Size		1 1/2 Ton	2 Ton	2 1/2 Ton	3 Ton	3 1/2 Ton	4 Ton	5 Ton	
Suction Line Connection Size		3/4" [19.05] I.D.				7/8" [22.23] I.D.			
Suction Line Run—Feet [m]		5/8" [15.88 mm] O.D. Opt. 3/4" [19.05 mm] O.D. Std.*		5/8" [15.88 mm] O.D. Opt. 3/4" [19.05 mm] O.D. Std.* 7/8" [22.23 mm] O.D. Opt.		3/4" [19.05 mm] O.D. Opt. 7/8" [22.23 mm] O.D. Std.*		7/8" [22.23 mm] O.D. Opt. 1 1/8" [28.58 mm] O.D. Std.*	
25' [7.62]	Optional Standard Optional	1.00 1.00 —	1.00 1.00 —	1.00 1.00 1.00	1.00 1.00 —	1.00 1.00 —	1.00 1.00 —	1.00 1.00 —	
50' [15.24]	Optional Standard Optional	0.98 0.99 —	0.98 0.99 —	0.96 0.98 0.99	0.98 0.99 —	0.99 0.99 —	0.99 0.99 —	0.99 0.99 —	
100' [30.48]	Optional Standard Optional	0.95 0.96 —	0.95 0.96 —	0.94 0.96 0.97	0.96 0.97 —	0.96 0.98 —	0.96 0.98 —	0.97 0.98 —	
150' [45.72]	Optional Standard Optional	0.92 0.93 —	0.92 0.94 —	0.91 0.93 0.95	0.94 0.95 —	0.94 0.96 —	0.95 0.96 —	0.94 0.97 —	

NOTES: *Standard line size
Using suction line larger than shown in chart will result in poor oil return and is not recommended.

[] Designates Metric Conversions

GENERAL TERMS OF LIMITED WARRANTY*

WeatherKing will furnish a replacement for any part of this product which fails in normal use and service within the applicable period stated, in accordance with the terms of the limited warranty.

***For complete details of the Limited and Conditional Warranties, including applicable terms and conditions, contact your local contractor or the Manufacturer for a copy of the product warranty certificate.**

Conditional Parts
(Registration Required)Ten (10) Years

Before proceeding with installation, refer to installation instructions packaged with each model, as well as complying with all Federal, State, Provincial, and Local codes, regulations, and practices.



"In keeping with its policy of continuous progress and product improvement, WeatherKing reserves the right to make changes without notice."