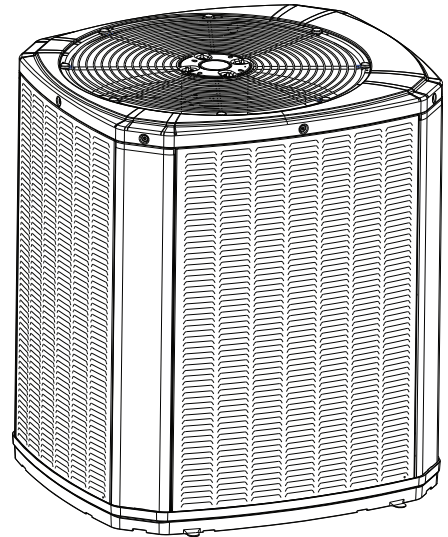




Product Data

Variable Speed ComfortLink™ II Air Conditioners

4TTV8024A1000A
4TTV8036A1000A
4TTV8037A1000A
4TTV8048A1000A
4TTV8060A1000A



*Note: "Graphics in this document are for representation only.
Actual model may differ in appearance."*



Mechanical Specification Options

General

The Outdoor Units are charged from the factory for matched indoor section and up to 15 feet of piping. This unit is designed to operate at outdoor ambient temperatures from 55° F to 120° F in cooling and from –10° F to 66° F in heating. Only AHRI approved indoor matches are approved for use with these models.

ComfortLink™ II Air Conditioners

This outdoor unit contains the ComfortLink™ II Air Conditioners digital communication with 2 wire connection to outdoor and Plug-n-Play set up.

Casing

Unit casing is constructed of heavy gauge. G60 galvanized steel and painted with a weather-resistant powder paint on all louvered panels and prepaint on all other panels. Corrosion and weatherproof CMBP-G30 DuraTuff™ base.

Refrigerant Controls

Refrigeration system controls include condenser fan, compressor contactor and high and low pressure switches. A factory supplied, field installed filter is standard.

Compressor

Inverter driven scroll compressor with 25 to 100% output capacity on heat pumps and 30 to 100% output capacity on air conditioners. Noise enclosure minimizes sound levels and built in compressor protection protects compressor will reduce operating speed and current draw to maintain operation while protecting the compressor.

Condenser Coil

The Spine Fin™ outdoor coil provides low airflow resistance and efficient heat transfer. The coil is protected on all four sides by louvered panels.

Low Ambient Cooling

As manufactured, this system has built in freeze protection that will allow cooling operation below 55°F but will reduce capacity or shut down completely to prevent operation under adverse conditions.

Comfort Control

The 950/850 Control is required and provides Plug-n-Play setup and 3 wire connection.



Product Specifications

Air Conditioner Models

OUTDOOR UNIT ^{(a) (b)}	4TTV8024A1000A	4TTV8036A1000A	4TTV8037A1000A
POWER CONNS. — V/PH/HZ ^(c)	208/230/1/60	208/230/1/60	208/230/1/60
MIN. BRCH. CIR. AMPACITY	17.0	18.0	18.0
BR. CIR. PROT. RTG. — MAX. (AMPS)	25	25	25
COMPRESSOR	SCROLL	SCROLL	SCROLL
NO. USED — NO. SPEEDS	1-VARIABLE	1-VARIABLE	1-VARIABLE
R.L. AMPS ^(d) — L.R. AMPS	11.5 — 10.2	12.4 — 10.2	12.4 — 10.2
FACTORY INSTALLED			
START COMPONENTS ^(e)	NA	NA	NA
INSULATION/SOUND BLANKET	YES	YES	YES
COMPRESSOR HEAT	YES	YES	YES
OUTDOOR FAN			
DIA. (IN.) — NO. USED	23 — 1	23 — 1	27.5 — 1
TYPE DRIVE — NO. SPEEDS	DIRECT — VARIABLE	DIRECT — VARIABLE	DIRECT — VARIABLE
CFM @ 0.0 IN. W.G. ^(f)	2680	2850	3670
NO. MOTORS — HP	1 — 1/3	1 — 1/3	1 — 1/3
MOTOR SPEED R.P.M.	200 — 1200	200 — 1200	200 — 1200
VOLTS/PH/HZ	208/230/1/60	208/230/1/60	208/230/1/60
F.L. AMPS	2.8	2.8	2.8
OUTDOOR COIL — TYPE	SPINE FIN™	SPINE FIN™	SPINE FIN™
ROWS — F.P.I.	1 — 24	1 — 24	1 — 24
FACE AREA (SQ. FT.)	19.77	23.75	27.87
TUBE SIZE (IN.)	3/8	3/8	3/8
REFRIGERANT	R410-A	R410-A	R410-A
LBS. — R-410A (O.D. UNIT) ^(g)	7 lb — 6 oz	7 lb — 14 oz	9 lb — 6 oz
FACTORY SUPPLIED	YES	YES	YES
LINE SIZE — IN. O.D. GAS	5/8 ^(h)	3/4 ^(h)	3/4 ^(h)
LINE SIZE — IN. O.D. LIQ. ^(h)	3/8	3/8	3/8
CHARGING SPECIFICATIONS			
SUBCOOLING	10°	10°	10°
DIMENSIONS	H X W X D	H X W X D	H X W X D
CRATED (IN.)	46 X 30.1 X 33	46 X 30.1 X 33	46.4 X 35.1 X 38.7
WEIGHT			
SHIPPING (LBS.)	217	228	248
NET (LBS.)	196	207	225

^(a) Certified in accordance with the Air-Source Unitary Air-conditioner Equipment certification program, which is based on AHRI standard 210/240.

^(b) Rated in accordance with AHRI standard 270.

^(c) Calculated in accordance with Natl. Elec. Codes. Use only HACR circuit breakers or fuses.

^(d) This value shown for compressor RLA on the unit nameplate and on this specification sheet is used to compute minimum branch circuit ampacity and max. fuse size. The value shown is the branch circuit selection current.

^(e) NA means no start components. Yes means quick start kit components. PTC means positive temperature coefficient starter.

^(f) Standard Air — Dry Coil — Outdoor

^(g) This value approximate. For more precise value see unit nameplate.

^(h) Max. linear length 150 ft.; Max. lift — Suction 50 ft.; Max. lift — Liquid 50 ft.



Product Specifications

Air Conditioner Models Cont.

OUTDOOR UNIT ^{(a) (b)}	4TTV8048A1000A	4TTV8060A1000A
POWER CONNS. — V/PH/HZ ^(c)	208/230/1/60	208/230/1/60
MIN. BRCH. CIR. AMPACITY	23.0	27.0
BR. CIR. PROT. RTG. — MAX. (AMPS)	35	40
COMPRESSOR	SCROLL	SCROLL
NO. USED — NO. SPEEDS	1-VARIABLE	1-VARIABLE
R.L. AMPS ^(d) — L.R. AMPS	16.0 — 12.0	19.3 — 12.0
FACTORY INSTALLED		
START COMPONENTS ^(e)	NA	NA
INSULATION/SOUND BLANKET	YES	YES
COMPRESSOR HEAT	YES	YES
OUTDOOR FAN		
DIA. (IN.) — NO. USED	27.5 — 1	27.5 — 1
TYPE DRIVE — NO. SPEEDS	DIRECT — VARIABLE	DIRECT — VARIABLE
CFM @ 0.0 IN. W.G. ^(f)	4560	4787
NO. MOTORS — HP	1 — 1/3	1 — 1/3
MOTOR SPEED R.P.M.	200 — 1200	200 — 1200
VOLTS/PH/HZ	208/230/1/60	208/230/1/60
F.L. AMPS	2.8	2.8
OUTDOOR COIL — TYPE	SPINE FIN™	SPINE FIN™
ROWS — F.P.I.	1 -24	1- 24
FACE AREA (SQ. FT.)	27.87	30.80
TUBE SIZE (IN.)	3/8	3/8
REFRIGERANT	R410-A	R410-A
LBS. — R-410A (O.D. UNIT) ^(g)	11 lb — 1 oz	11 lb — 14 oz
FACTORY SUPPLIED	YES	YES
LINE SIZE — IN. O.D. GAS	7/8 ^(h)	1 — 1/8 ^(h)
LINE SIZE — IN. O.D. LIQ. ^(h)	3/8	3/8
CHARGING SPECIFICATIONS		
SUBCOOLING	10°	10°
DIMENSIONS	H X W X D	H X W X D
CRATED (IN.)	46.4 X 35.1 X 38.7	51 X 35.1 X 38.7
WEIGHT		
SHIPPING (LBS.)	270	284
NET (LBS.)	245	258

^(a) Certified in accordance with the Air-Source Unitary Air-conditioner Equipment certification program, which is based on AHRI standard 210/240.

^(b) Rated in accordance with AHRI standard 270.

^(c) Calculated in accordance with Natl. Elec. Codes. Use only HACR circuit breakers or fuses.

^(d) This value shown for compressor RLA on the unit nameplate and on this specification sheet is used to compute minimum branch circuit ampacity and max. fuse size. The value shown is the branch circuit selection current.

^(e) NA means no start components. Yes means quick start kit components. PTC means positive temperature coefficient starter.

^(f) Standard Air — Dry Coil — Outdoor

^(g) This value approximate. For more precise value see unit nameplate.

^(h) Max length of refrigerant lines from outdoor to indoor unit MUST NOT exceed 80 feet. The max vertical change MUST NOT exceed 25 feet. See footnote (h) if 7/8" suction line is used.



Sound Power Level

Model	Mode	Speed	A-Weighted Sound Power Level [dB(A)]	Full Octave Sound Power [dB]							
				63 Hz	125 Hz	250 Hz	500 Hz	1000 Hz	2000 Hz	4000 Hz	8000 Hz
4TTV8024A	Cool	Min	57	71.2	49.8	51.4	58.3	51.6	44.2	37.4	41.2
	Cool	Max	66	74.8	64.1	61.3	66.2	61.2	56.3	49.4	46.5
4TTV8036A	Cool	Min	55	71.0	53.4	51.2	53.5	51.5	44.6	40.3	41.0
	Cool	Max	70	73.1	70.5	65.8	67.3	66.0	60.9	54.1	50.0
4TTV8037A	Cool	Min	59	69.3	56.0	54.8	54.5	56.8	46.6	38.0	39.0
	Cool	Max	70	79.7	70.2	68.5	66.3	65.8	63.2	56.9	51.4
4TTV8048A	Cool	Min	57	70.7	52.5	51.7	55.3	53.4	43.6	35.1	41.6
	Cool	Max	74	75.5	73.6	72.0	72.8	68.7	63.9	58.3	52.1
4TTV8060A	Cool	Min	62	71.7	55.8	56.8	56.7	60.1	44.7	42.3	41.0
	Cool	Max	75	87.8	77.6	75.2	72.2	70.2	64.7	59.0	51.1



Optional Accessories:

Model	4TTV8024A	4TTV8036A	4TTV8037A	4TTV8048A	4TTV8060A
Rubber Isolator Kit	BAYISLT101	BAYISLT101	BAYISLT101	BAYISLT101	BAYISLT101
Snow Leg – Base & Cap 4" High	BAYLEGS002	BAYLEG2002	BAYLEGS002	BAYLEGS002	BAYLEGS002
Snow Leg – 4" Extension	BAYLEGS003	BAYLEGS003	BAYLEGS003	BAYLEGS003	BAYLEGS003
Extreme Condition Mounting Kit	BAYECMT023	BAYECMT023	BAYECMT004	BAYECMT004	BAYECMT004
Refrigerant Lineset	TAYREFLN9 ^(a)	TAYREFLN7 ^(a)	TAYREFLN7 ^(a)	TAYREFLN3 ^(a)	TAYREFLN3 ^(a)

^(a) Consult handbook for available length options.

General Data

AHRI STANDARD 210/240 RATING CONDITIONS

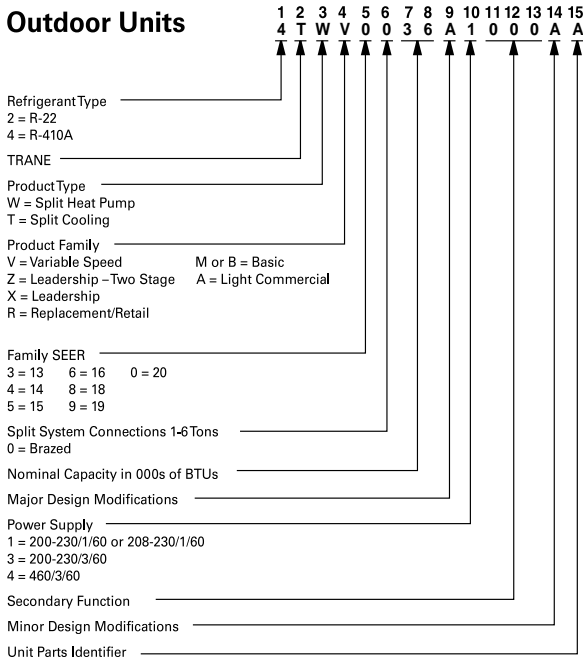
- Cooling 80°F DB, 67°F WB air entering indoor coil, 95°F DB air entering outdoor coil.
- High Temperature Heating 47°F DB, 43°F WB air entering outdoor coil, 70°F DB entering indoor coil.
- Low Temperature Heating 17°F DB, 15°F WB air entering outdoor coil, 70°F DB air entering indoor coil.
- Rated indoor airflow for heating is the same as for cooling.

AHRI STANDARD 270 RATING CONDITIONS – (Noise rating numbers are determined with the unit in cooling operation) Standard Noise Rating number is at 95°F outdoor air.

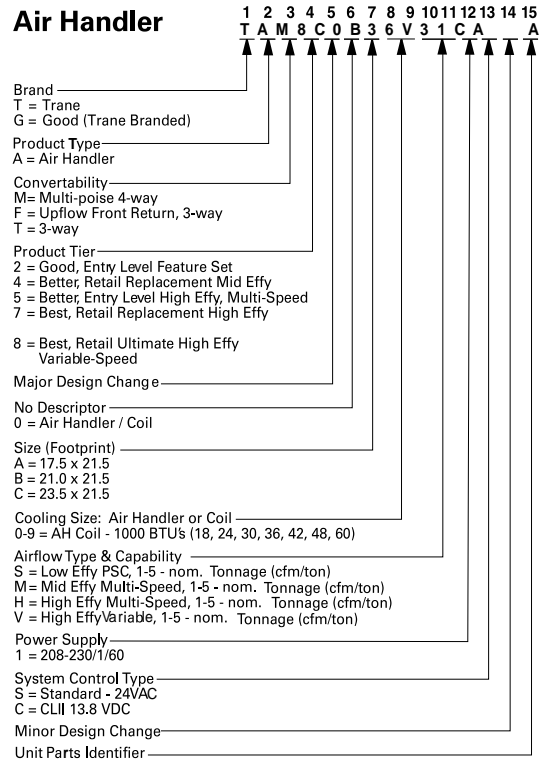


Model Nomenclature

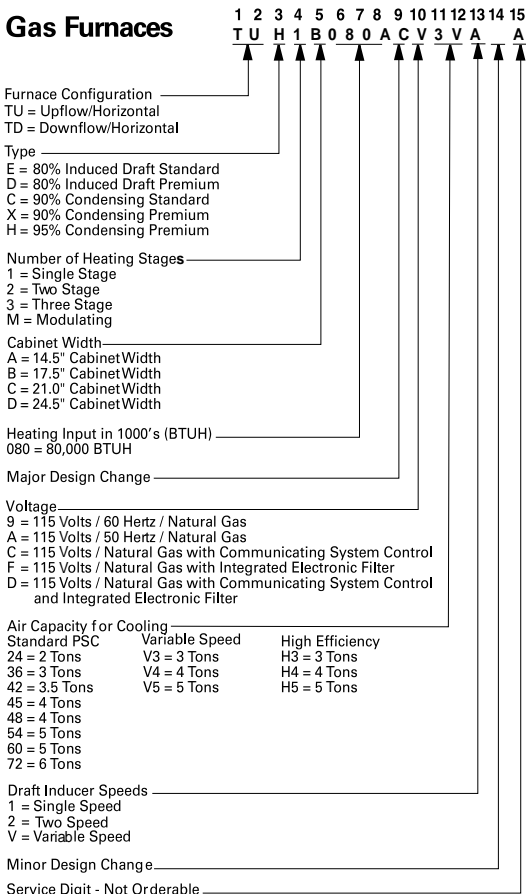
Outdoor Units



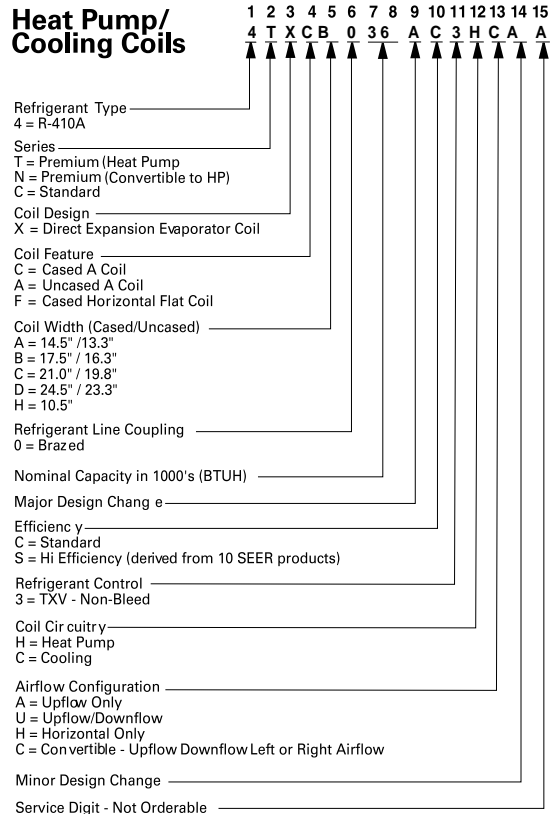
Air Handler



Gas Furnaces

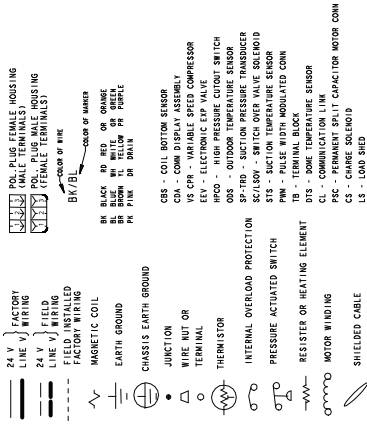


Heat Pump/Cooling Coils



Wiring – D157619P04

LEGEND



NOTES:

1. BE SURE POWER SUPPLY AGREES WITH EQUIPMENT NAMEPLATE.
2. POWER WIRING AND GROUNDING OF EQUIPMENT MUST COMPLY WITH LOCAL CODES.
3. LOW VOLTAGE WIRING TO BE NO. 18 AWG MINIMUM CONDUCTOR.
4. * ONLY USED ON HEAT PUMP MODELS AND NOT ON AC UNITS

FOR CANADIAN INSTALLATIONS

POB INSTALLATIONS COMPARISONS

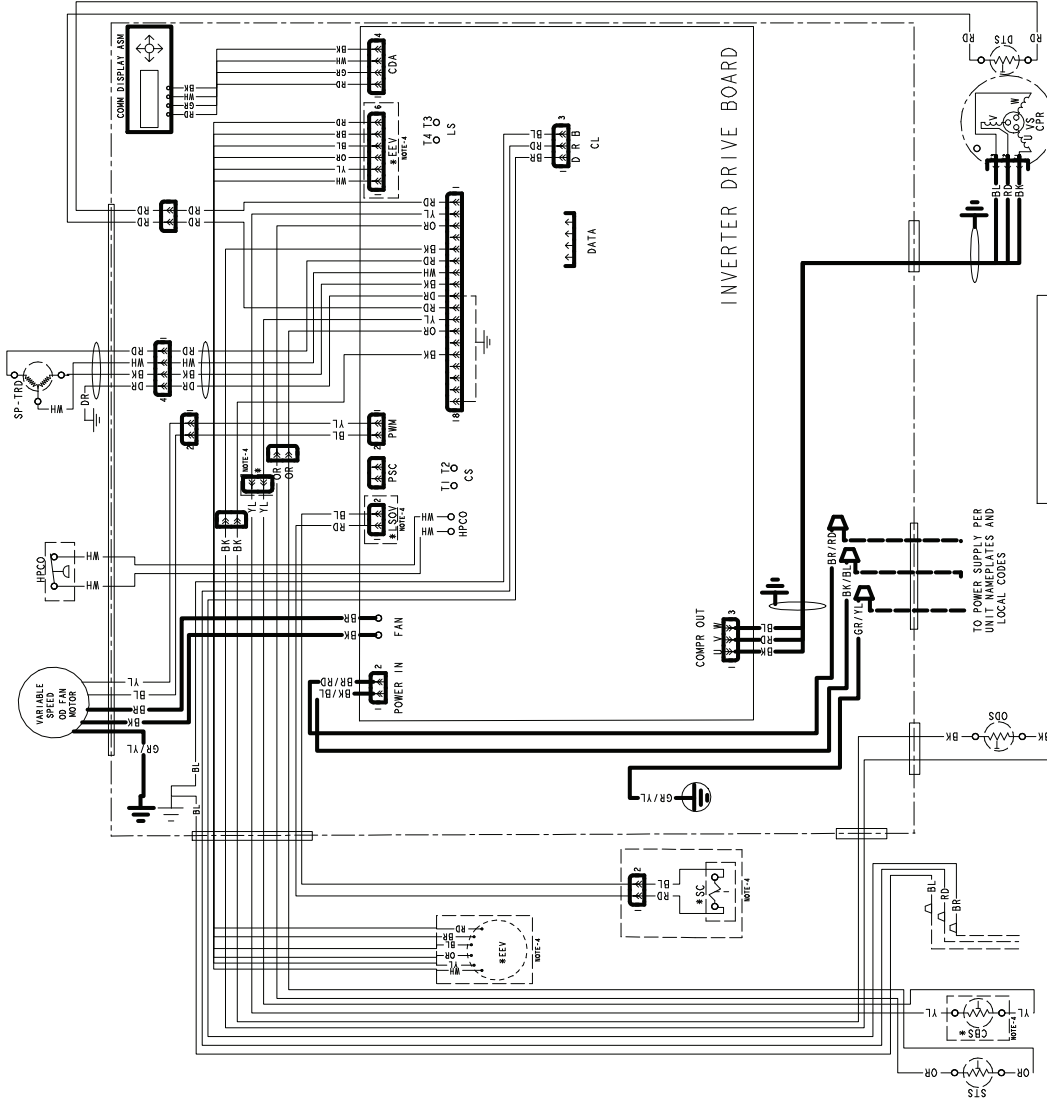
CAUTION: NOT SUITABLE FOR USE ON SYSTEMS EXCEEDING 150V-TO-GROUND ATTENTION: NE CONVERTIR PAS AUX INSTALLATIONS DE PLUS DE 150 V A LA TERRE

WARNING

HAZARDOUS VOLTAGE! DISCONNECT ALL ELECTRICAL POWER FROM THE UNIT BEFORE SERVICING. Failure to disconnect power may result in personal injury or death.

CAUTION

USE COPPER CONNECTORS ONLY! DO NOT USE ALUMINUM CONNECTORS. Failure to do so may cause damage to the equipment.



PRINTED FROM D157619P04 REV/00



Notes



Trane optimizes the performance of homes and buildings around the world. A business of Ingersoll Rand, the leader in creating and sustaining safe, comfortable and energy efficient environments, Trane offers a broad portfolio of advanced controls and HVAC systems, comprehensive building services, and parts. For more information, visit www.Trane.com.

Trane has a policy of continuous product and product data improvements and reserves the right to change design and specifications without notice.

©2014 Trane
22-1894-1A-EN 17 Nov 2014
Supersedes 22-1894-1-EN (September 2013)

