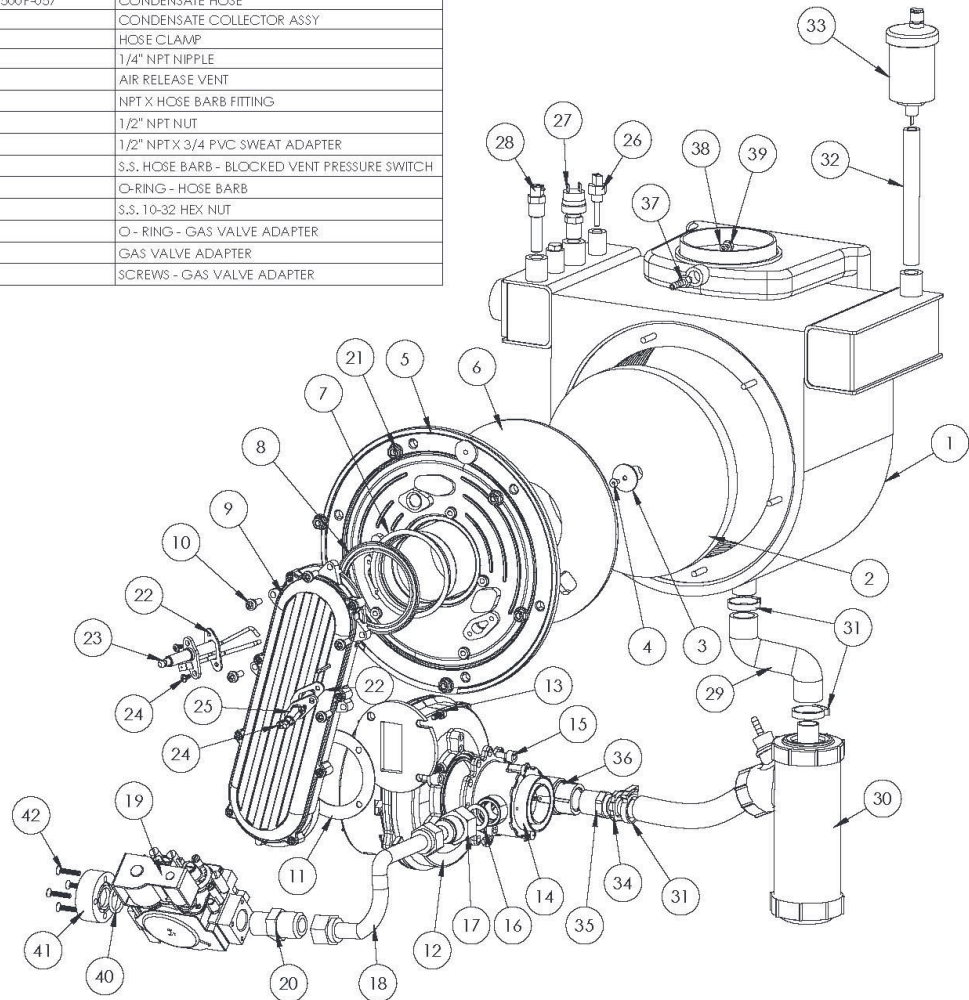
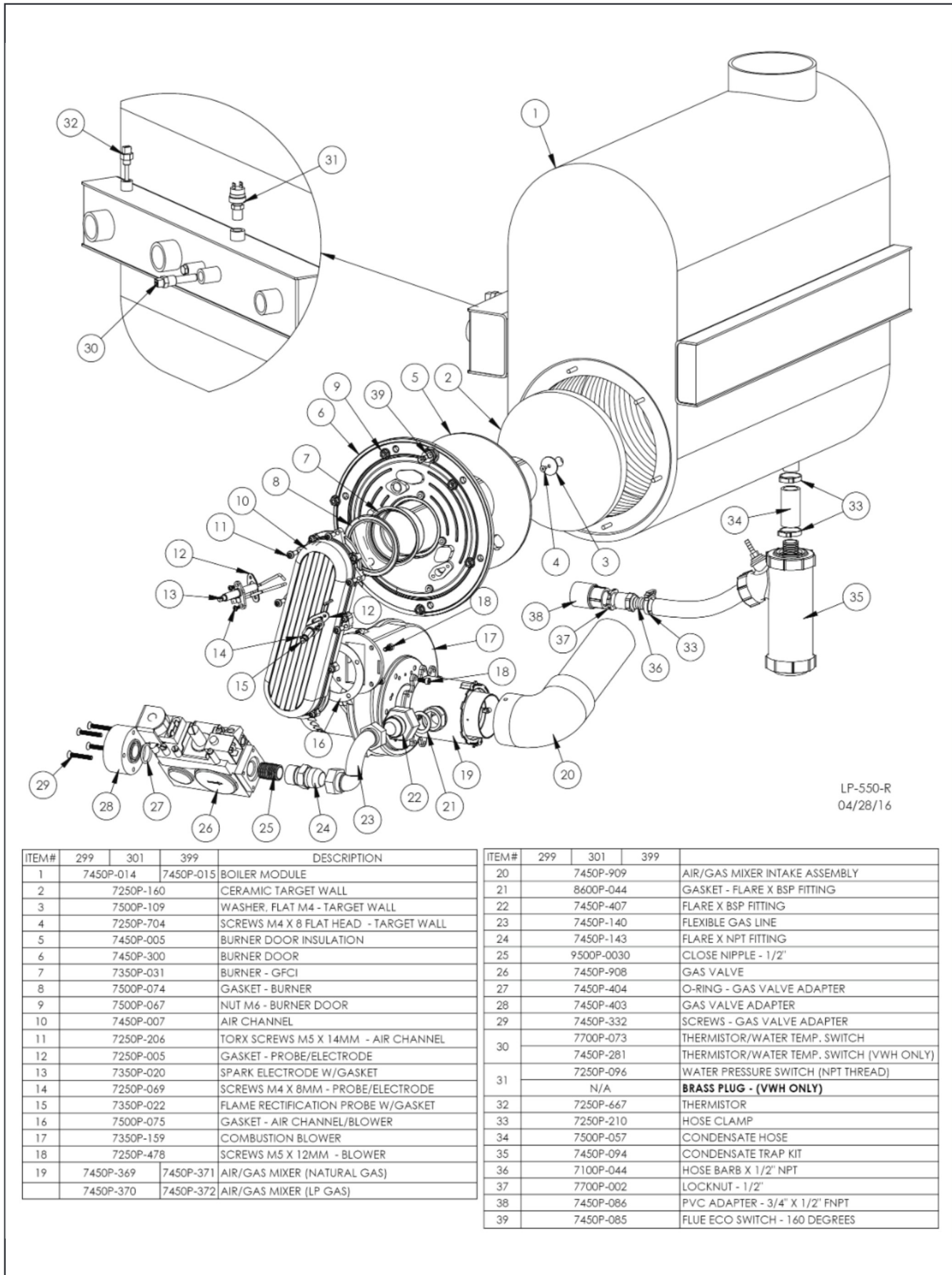


ITEM #	80	110	150	220	Description
1	7450P-001	7450P-002	7450P-003	7450P-004	BOILER MODULE
2		7250P-160			CERAMIC TARGET WALL
3		7500P-109			M4 FLAT WASHER
4		7250P-704			M4 X 8 FLAT HEAD SCREW
5		7450P-300			BURNER DOOR
6		7450P-005			BURNER DOOR INSULATION
7	7450P-009	7450P-010	7450P-011	7450P-012	BURNER
8		7500P-074			GASKET - BURNER
9	7450P-008		7450P-007		AIR CHANNEL
10		7250P-206			M6 X 14MM TORX SCREWS - AIR CHANNEL
11		7500P-075			GASKET - AIR CHANNEL/BLOWER
12	7500P-195		7700P-102	7350P-159	COMBUSTION BLOWER (NATURAL GAS) COMBUSTION BLOWER (LP)
13		7250P-478			M6 X 12MM SOCKET CAP SCREW
14	7450P-361	7450P-363	7450P-365	7450P-367	AIR/GAS MIXER (NATURAL GAS)
	7450P-362	7450P-364	7450P-366	7450P-368	AIR/GAS MIXER (LP)
15	7450P-141			7500P-099	SCREWS - AIR/GAS MIXER
16		7450P-115		8600P-044	WASHER - AIR/GAS MIXER
17		7700P-072		7450P-409	FLARE X BSP FITTING
18		7100P-140			FLEXIBLE GAS LINE
19		7450P-907			GAS VALVE
20		7450P-154			FLARE X NPT FITTING
21		7500P-067			M6 NUT - BURNER DOOR
22		7250P-005			GASKET - PROBE/ELECTRODE
23		7350P-020			SPARK ELECTRODE (W/GASKET)
24		7250P-069			SCREW M4 X 8MM - PROBE/ELECTRODE
25		7350P-022			FLAME RECTIFICATION PROBE (W/GASKET)
26		7250P-667			THERMISTOR
		7450P-280			THERMISTOR - VWH ONLY
27		7250P-096			WATER PRESSURE SWITCH - NPT THREAD
28		7700P-073			THERMISTOR/WATER TEMP SWITCH
		7450P-281			THERMISTOR/WATER TEMP SWITCH - VWH ONLY
29	7450P-185		7500P-057		CONDENSATE HOSE
30		7450P-094			CONDENSATE COLLECTOR ASSY
31		7250P-210			HOSE CLAMP
32		7450P-199			1/4" NPT NIPPLE
33		7450P-197			AIR RELEASE VENT
34		7100P-044			NPT X HOSE BARB FITTING
35		7700P-002			1/2" NPT NUT
36		7450P-086			1/2" NPT X 3/4 PVC SWEAT ADAPTER
37		7250P-154			S.S. HOSE BARB - BLOCKED VENT PRESSURE SWITCH
38		7250P-152			O-RING - HOSE BARB
39		7250P-153			S.S. 10-32 HEX NUT
40		7450P-404			O - RING - GAS VALVE ADAPTER
41		7450P-402			GAS VALVE ADAPTER
42		7450P-406			SCREWS - GAS VALVE ADAPTER



LP-550-Q
11/02/15

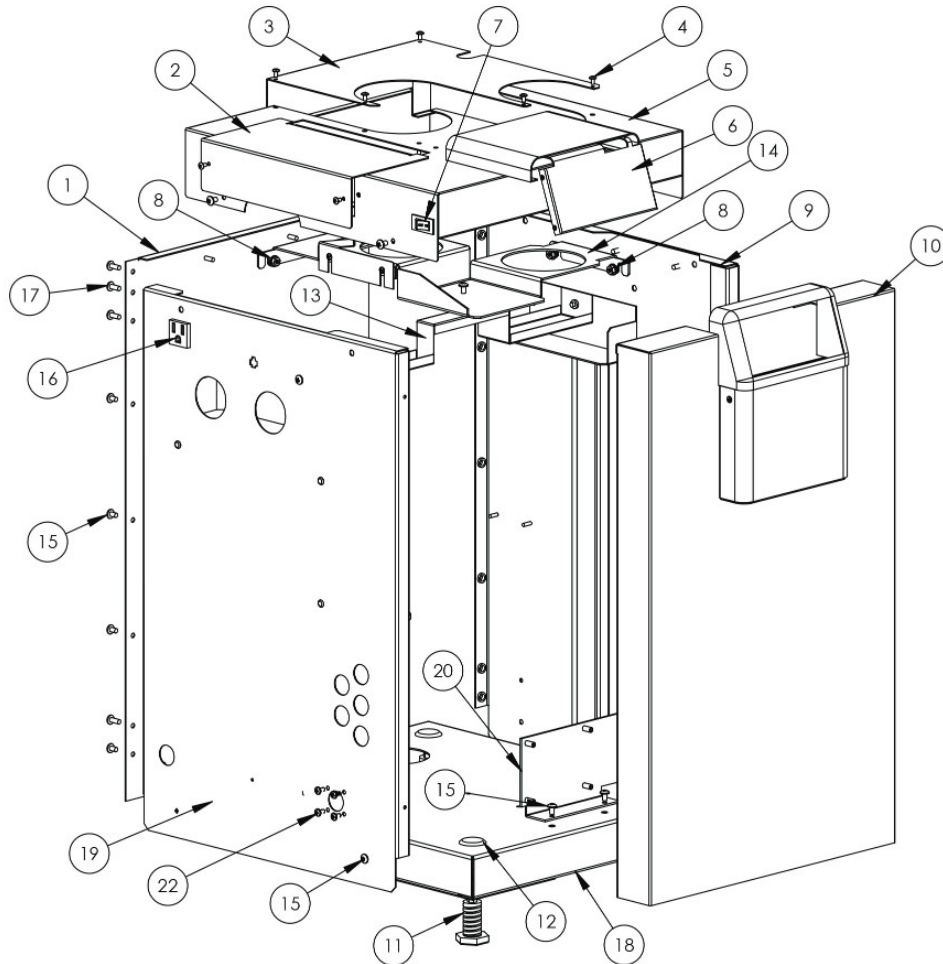
Figure 30 - Combustion System Replacement Parts - 80 - 220kBTU Models



LP-550-R
04/28/16

Figure 31 - Combustion System Replacement Parts - 299 - 399kBTU Models

LP-550-U
10/12/15



ITEM#	80	110	150	220	299/301	399	DESCRIPTION
1	7450P-039			7450P-065			JACKET - REAR
2	7450P-360						FIELD CONNECTION BOARD COVER
3	7450P-336	7450P-337		7450P-338			JACKET - TOP COVER, BACK
4	7450P-081						6-32 X 1/4 PAN HEAD SCREW - ACCESSORY PANELS
5	7450P-340	7450P-341	7450P-342	7450P-343	7450P-344		JACKET - TOP COVER, FRONT
6	7450P-349						JACKET - TOP COVER INSERT
7	7500P-087						POWER SWITCH
8	7450P-088						8-32 FLANGED NUT - AIR EXHAUST PLATE
9	7450P-314	7450P-315	7450P-316	7450P-317	7450P-318	7450P-319	JACKET - RIGHT SIDE
10	7450P-346			7450P-351			JACKET - FRONT COVER ASSEMBLY
11	7450P-121						LEVELING FEET
12	7450P-226						7/8 HOLE PLUG
13	7450P-076			7450P-077			MODULE HOLD-DOWN STRAP
14	7450P-125	7450P-074		7450P-149			AIR/EXHAUST SUPPORT PLATE
15	7450P-080						10-32 X 5/16 PAN HEAD SCREW - PANELS
16	7500P-037						CONVENIENCE OUTLET
17	7450P-098						10-32 x 1/2" PAN HEAD SCREW - BACK PANEL (BRACKET)
18	7450P-396	7450P-399	7450P-331	7450P-333	7450P-335		JACKET - BASE
19	7450P-308	7450P-309	7450P-310	7450P-311	7450P-312	7450P-313	JACKET - LEFT SIDE
20	7450P-373						FIELD CONNECTION BOARD MOUNTING PLATE
21	N/A		7450P-350		N/A		BOILER ACCESS COVER (NOT SHOWN)
22	7450P-144						M4 X 8MM SCREW - GAS VALVE INSTALLATION

Figure 32 - Cabinet Replacement Parts - All Models

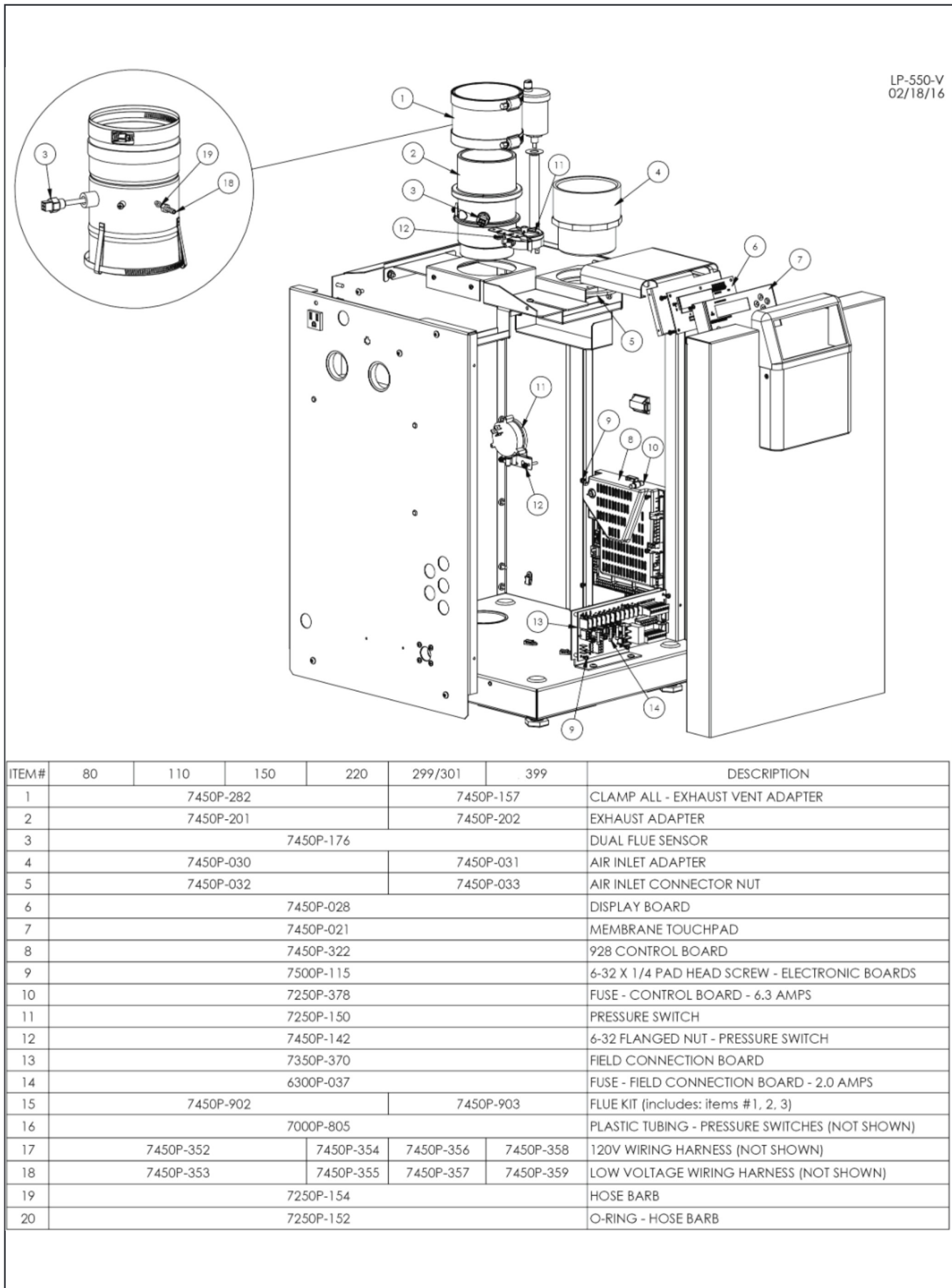


Figure 33 - Cabinet Replacement Parts - All Models