

Figure 61 - Cabinet Replacement Parts

NUMBER	DESCRIPTION	PART NUMBER	NUMBER	DESCRIPTION	PART NUMBER
1	Bottom Wall Mount Bracket	7850P-092	9	Display Panel Bracket	7850P-265
2	Cabinet Assy	7850P-263	10	Manual Power Switch	7855P-014
3	Top Wall Mount Bracket	7850P-068	11	Condensate APS	7855P-017
4	Exhaust Duct Assy	7855P-002	12	Display Panel Bracket	7855P-220
4-1	Exhaust / Intake Duct Clamps	7855P-332	13	Terminal Block	7850P-266
4-2	Exhaust / Intake Gaskets	7850P-210	14	Display Panel Cover Plastic Washers	7850P-267
4-3	Exhaust Duct	7855P-333	15	Front Cover	7850P-272
4-4	Exhaust Duct Inner Adapter	7855P-004	16	Display Panel Cover Assy	7850P-268
4-5	Combustion Analyzer Port Plug	7855P-335	17	Condensate Trap Assy	7855P-605
5	Air Intake Cap Assy	7855P-411	18	Universal Control Board	7855P-406
5-1	Air Intake Cap	7855P-337	19	Control Board Bracket	7850P-269
6	Air Pressure Sensor	7855P-601	20	Ignition Transformer Bracket	7850P-270
7	Air Pressure Sensor Bracket	7850P-264	21	Ignition Transformer	7850P-271
8	Display Panel	7855P-600			

Table 35 - Cabinet Replacement Parts

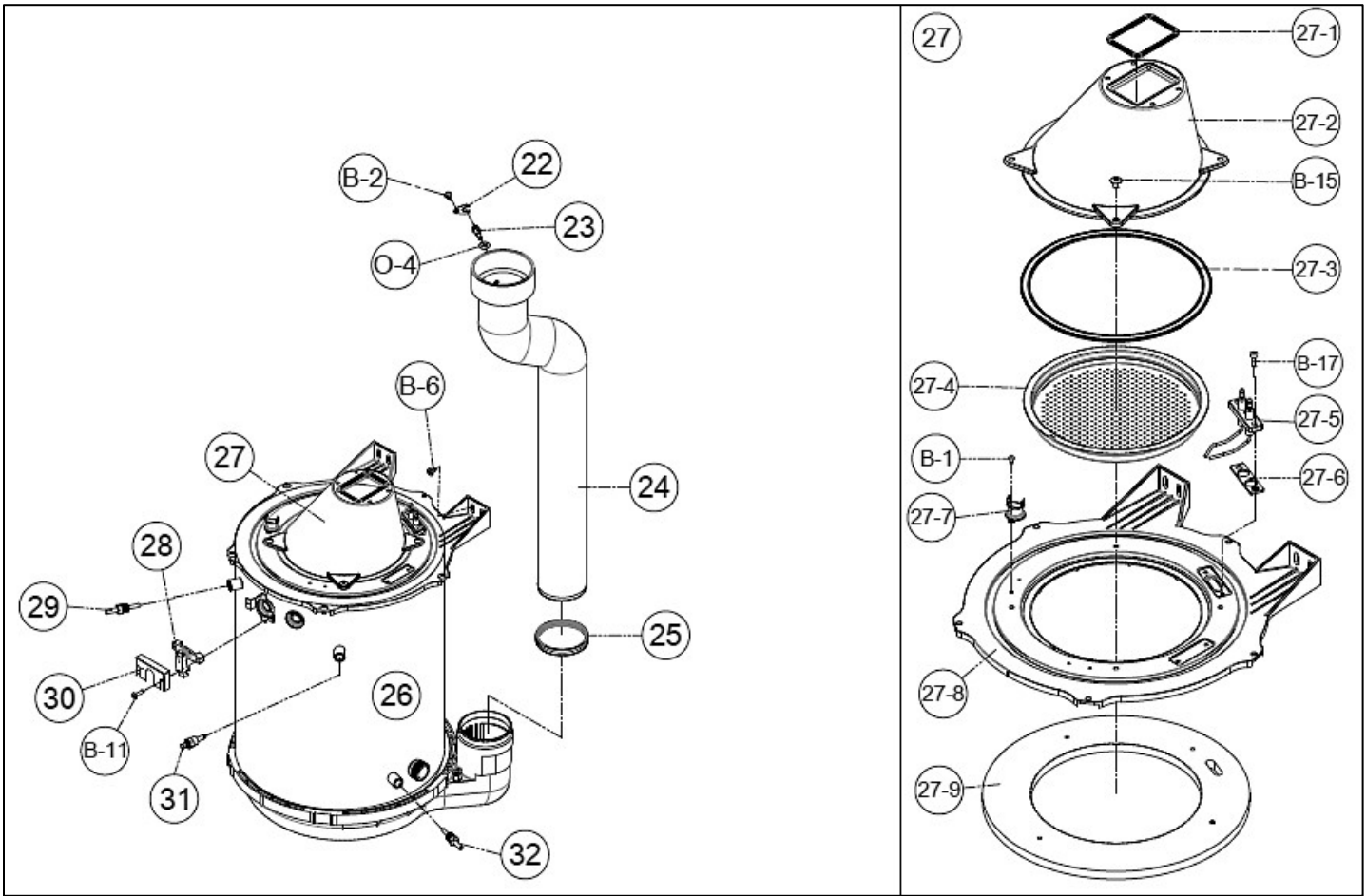


Figure 62 – Heat Exchanger Replacement Parts

NUMBER	DESCRIPTION	PART NUMBER	NUMBER	DESCRIPTION	PART NUMBER
22	Exhaust Temperature Sensor Clip	7855P-349	27-5	Ignition Rod	7855P-607
23	Exhaust Temperature Sensor	7855P-092	27-6	Igniter Gasket	7855P-252
24	Exhaust Pipe Assy	7850P-273	27-7	Burner Overheat Switch	7855P-066
25	Exhaust Pipe Gasket	7855P-418	27-8	Burner Body	7855P-606
26	Heat Exchanger Assy	7850P-274	27-9	Burner Refractory	7855P-612
27	Burner Body Assy	7855P-417	28	Flame Sensor	7855P-031
27-1	Burner Body Top Gasket	7855P-426	29	HX Water Thermistor	7855P-614
27-2	Burner Body	7855P-606	30	Flame Sensor Cover	7855P-357
27-3	Burner Gasket	7855P-419	31	Water Level Detection Sensor	7855P-029
27-4	Ceramic Fiber Burner	7855P-420	32	Recirculation Water Sensor	7855P-615

Table 36 – Heat Exchanger Replacement Parts

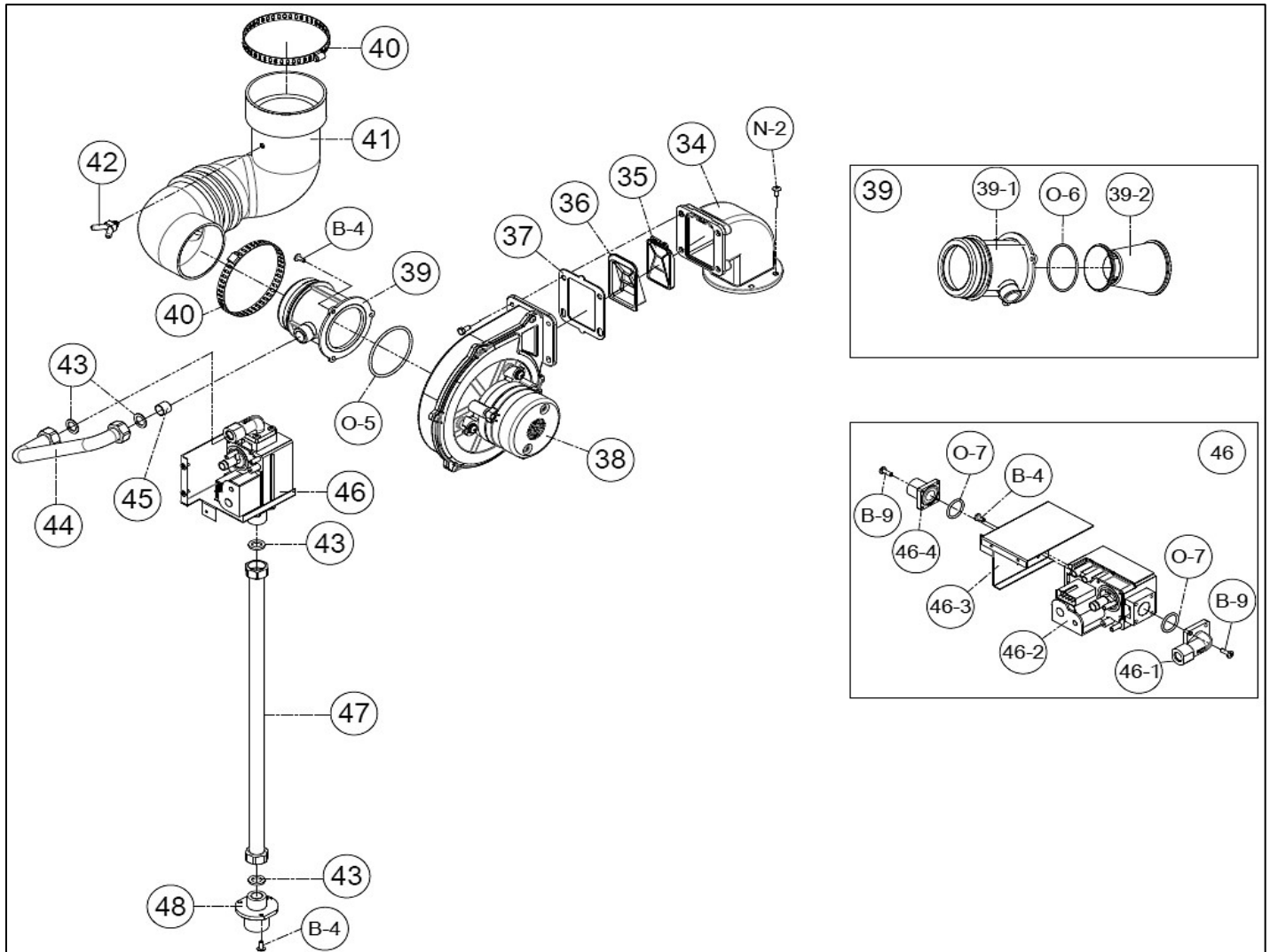


Figure 63 – Combustion System Replacement Parts

NUMBER	DESCRIPTION	PART NUMBER	NUMBER	DESCRIPTION	PART NUMBER
34	Burner Inlet Channel	7855P-424	43	½" Gas Pipe Gasket	7855P-221
35	Air Damper	7855P-618	44	Gas Pipe (to Mixer)	7855P-432
36	Air Damper Guide	7855P-369	45	NG Gas Orifice (8.3 mm)	7855P-601
37	Fan Outlet Gasket	7855P-425		LP Gas Orifice (6.3 mm)	7855P-435
38	Fan	7855P-025	46	Gas Valve Assy	7855P-380
39	Mixer Assy	7850P-275	46-1	Gas Valve Outlet Adapter	7855P-232
39-1	Air-Gas Mixer (Outer Part)	7855P-608	46-2	Gas Valve	7855P-034
39-2	Air-Gas Mixer (Inner Part)	7855P-609	46-3	Gas Valve Bracket	7855P-436
40	Air Intake Hose Clamp (Ø89)	7855P-429	46-4	Gas Valve Inlet Adapter	7855P-033
41	Air Intake Hose	7855P-430	47	Gas Pipe (to Gas Valve)	7855P-433
42	Barb Fitting 1 X 2	7855P-611	48	Gas Inlet Adapter (¾")	7855P-382

Table 37 – Combustion System Replacement Parts

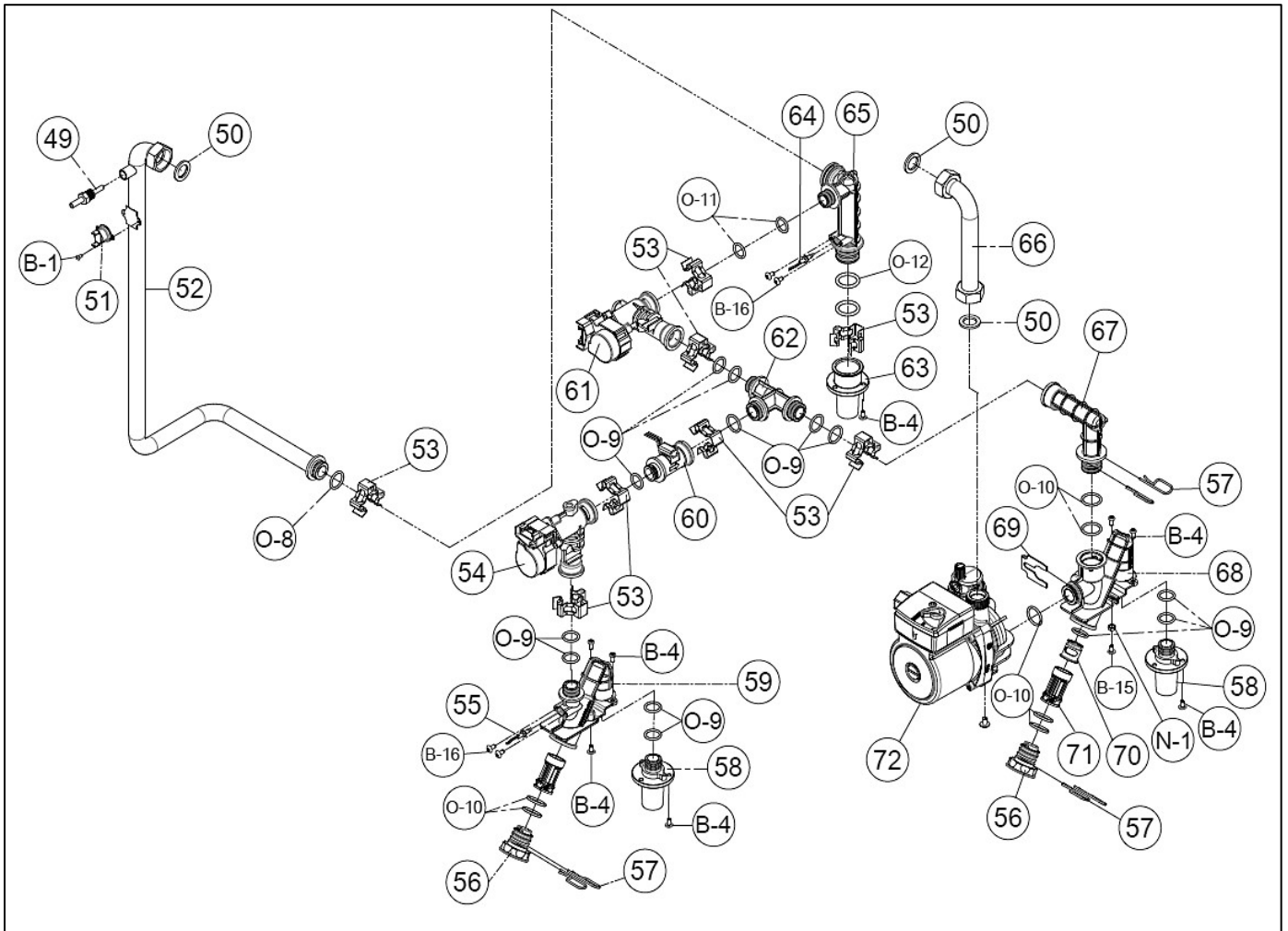


Figure 64 – Water Side Replacement Parts

NUMBER	DESCRIPTION	PART NUMBER	NUMBER	DESCRIPTION	PART NUMBER
49	Heat Exchanger Temperature Sensor (OP)	7850P-081	62	Mixing Block	7855P-603
50	3/4" Pipe Gasket	7855P-073	63	DHW Outlet Adapter	7855P-225
51	Overheat Switch (Heat Exchanger)	7850P-051	64	DHW Temperature Sensor	7855P-094
52	Water Outlet Pipe	7850P-276	65	DHW Inner Block	7855P-251
53	1/2" Pipe Clip	7855P-246	66	Recirculation Pipe	7850P-277
54	Mixing Valve	7855P-043	67	Pump Block Hybrid	7855P-616
55	DHW Temperature Sensor	7855P-617	68	Recirculation Block	7855P-604
56	DHW Inlet Block Cap	7855P-283	69	Pump Clip	7850P-278
57	CH Return Block with Filter Clips	7855P-284	70	Flow Check	7850P-279
58	DHW Inlet Adapter	7855P-203	71	Domestic Water Filter	7855P-281
59	DHW Inlet Filter Block	7855P-279	72	Recirculation Pump	7850P-237
60	DHW Flow Sensor	7855P-083	73	Hot Water Adapter Clip	7855P-278
61	Mixing Valve	7855P-043			

Table 38 – Water Side Replacement Parts