



Advanced Heating  
& Hot Water Systems

# High Efficiency EFT COMBI Wall Mount

## Tankless Water Heater & Space Heating Appliance

### 140K & 199K Btuh Units

Stainless Steel, Fire Tube  
Heat Exchanger

Turndown Ratio

EFTC-140W = up to 5:1

EFTC-199W = up to 10:1

Advanced Modulating Gas  
Condensing Boiler:

EFTC-140W = 95% AFUE

EFTC-199W = 95.1% AFUE

Built-in 2 Gallon Indirect  
Stainless Steel Tank

3.2 GPM Flow Rate

@ 77° Rise (EFTC-140W)

Venting: 2" or 3" PVC, CPVC  
or Polypropylene



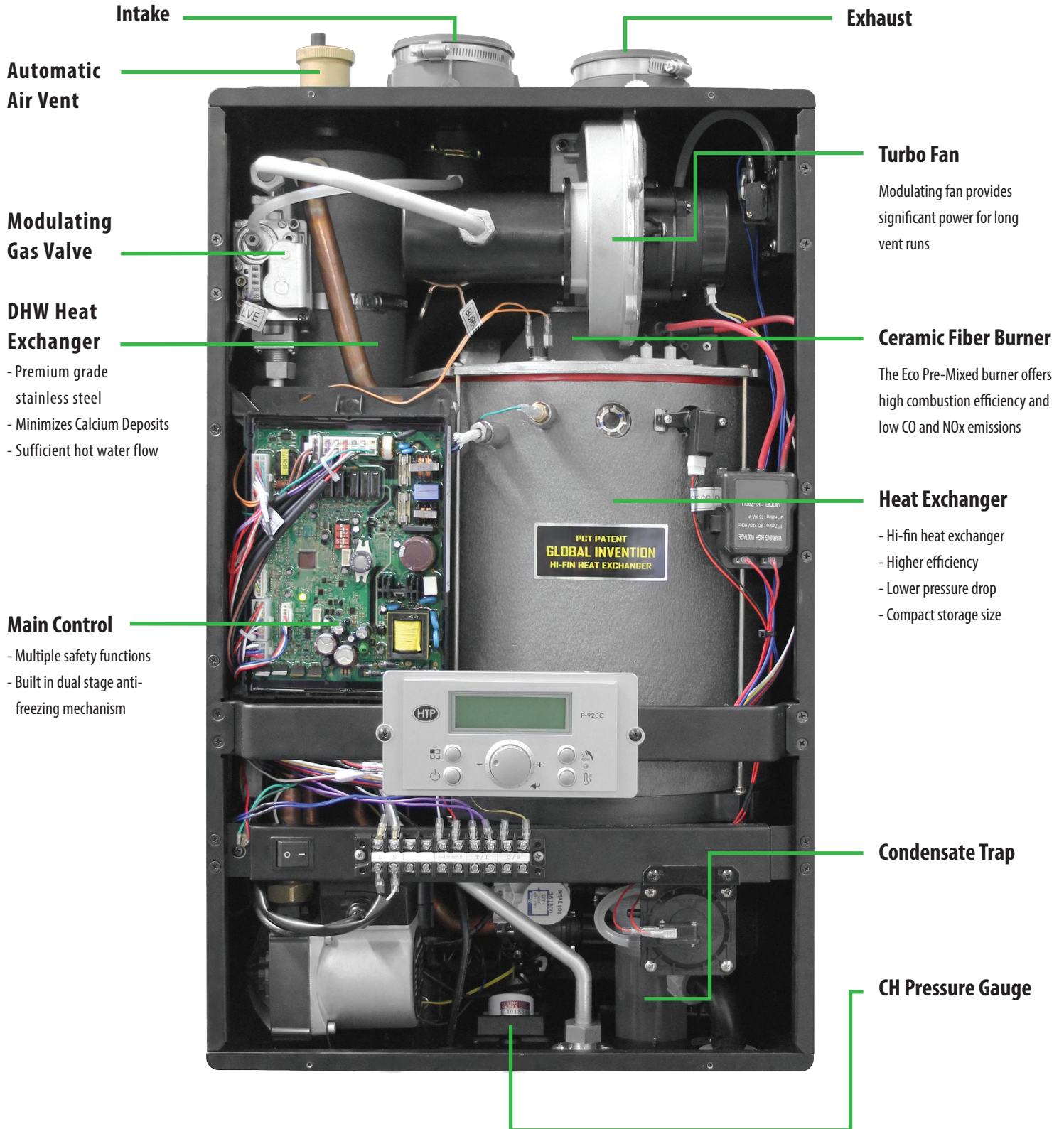
[www.htproducts.com](http://www.htproducts.com)



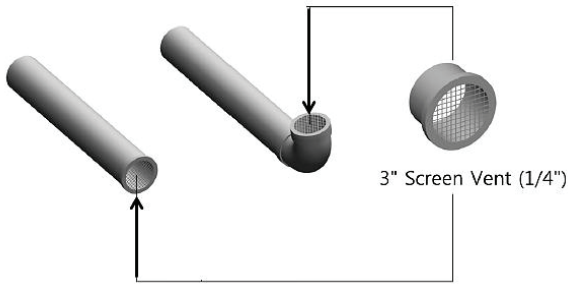
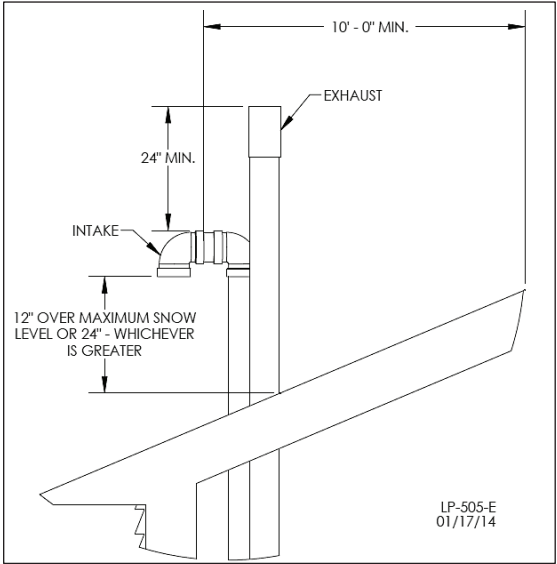
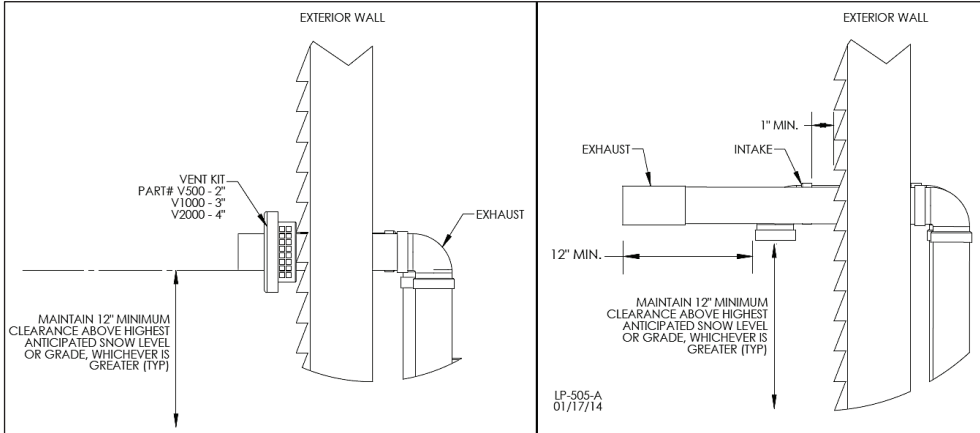
Save Energy • Save Money • Save Space • Save On Installation

# EFT Combi

## A CLOSER LOOK



# VENT TERMINATION

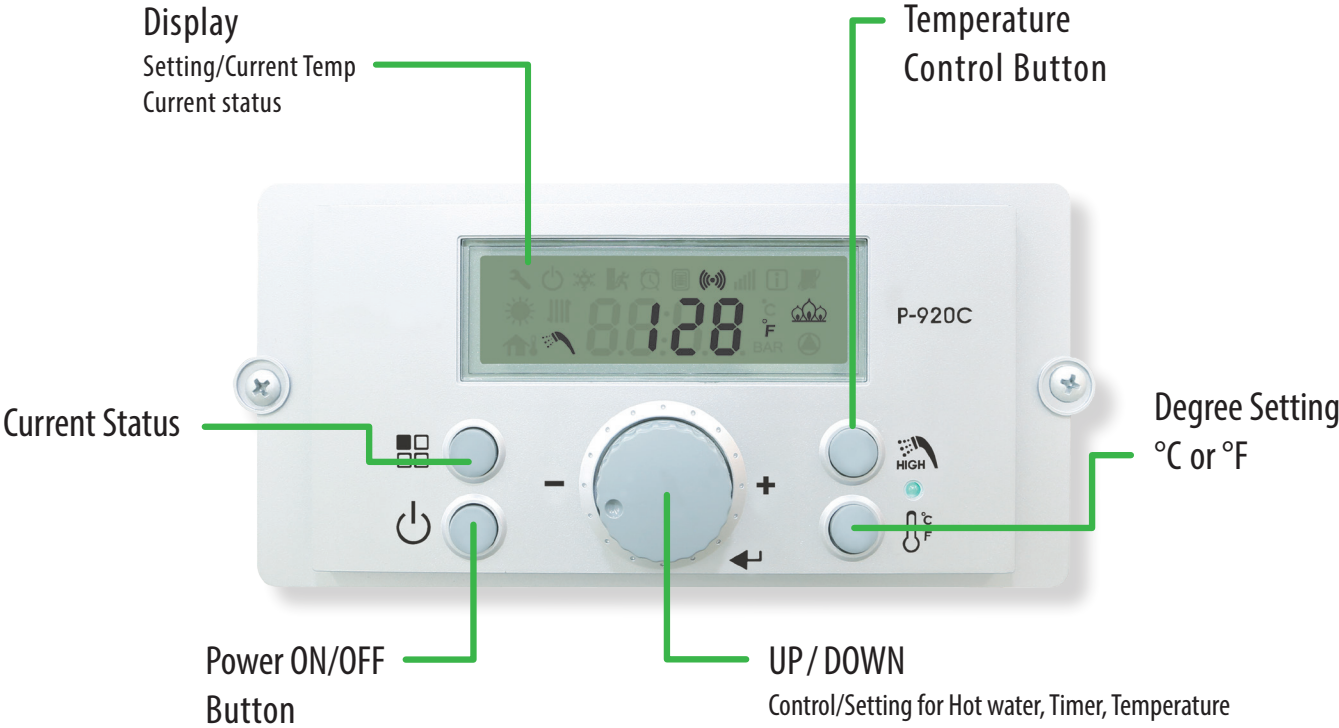


Forced Draft Direct-Vent  
2" (50ft), 3" (100ft), PVC, CPVC & PP

# MULTIFUNCTION CONTROL PANEL

## Customized Temperature Control

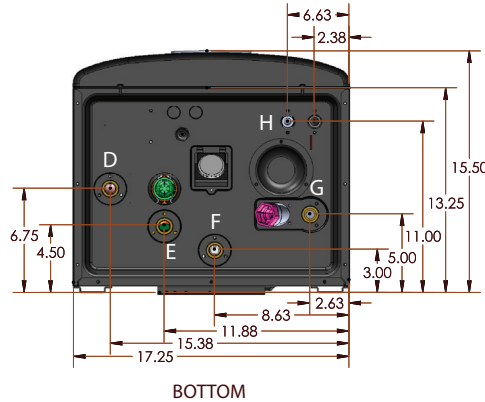
Maintain constant temperature with the user friendly Flow Control, Flow Sensor and Heat Capacity Control.



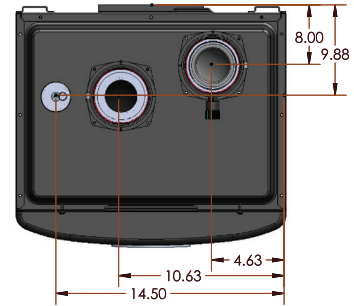
# DIMENSIONS (EFTC-140W)



	DESCRIPTION	DIAMETER
A	Automatic Air Vent	-
B	Intake Pipe Connection	3"
C	Exhaust Pipe Connection	3"
D	CH Supply Adapter	1" NPT
E	CH Return Adapter	1" NPT
F	DHW Outlet Adapter	3/4" NPT
G	DHW Inlet Adapter	3/4" NPT
H	Gas connection Adapter	1/2" NPT (1/2" X3/4" Bell Coupling Provided to Upsize Gas Line)
I	Condensate Adapter	-



BOTTOM



TOP

Model		EFTC-140W	EFTC-199W
DHW Input	Natural Gas or Propane Gas	28,000 ~ 140,000 Btuh	19,000 ~ 199,000 Btuh
Boiler Input		28,000 ~ 140,000 Btuh	19,900 ~ 140,000 Btuh
Dimensions (W X H X D)		W 17.25" X H 29" X D 15.5"	W 19.7" X H 31.9" X D 16.8"
Installation Type		Indoor / Wall - Hung	
Venting Type		Forced Draft Direct-Vent	
Venting: Combined Vent Length / Materials		2"(50ft), 3"(100ft) / CPVC, PVC, PP & Power Vent	
Ignition		Electronic Ignition	
Gas Supply Pressure	Natural Gas	3.5"W.C ~ 14"W.C	
	Propane Gas	3.5"W.C ~ 14"W.C	
Power Supply	Main Supply	AC 120V / 60Hz	
	Maximum Power Consumption	160W	
Flow Rate (DHW)	35°F (19°C) Temp Rise	7.1 gal/m	9.88 GPM
	45°F (25°C) Temp Rise	5.5 gal/m	7.7 GPM
	77°F (43°C) Temp Rise	3.2 gal/m	4.8 GPM
Water Pressure	Central Heating	15 min - 30 max PSI	
	Domestic Hot Water	15 min - 150 max PSI	
Connection Sizes	Cold Water Inlet/ Hot Water Outlet	3/4" NPT	
	Space Heating Supply/Return	1" NPT	
	Gas Inlet	1/2" NPT for 140 Model (1/2" x 3/4" Bell Coupling Provided to Upsize Gas Line) 3/4" NPT for 199 model	
Warranty		Limited 10 Year Residential Warranty	