



The new degree of comfort.™

Rheem Classic® Series Air Conditioners



RA13 Series

Efficiencies 13-15.5 SEER/11.5-13 EER
Nominal Sizes 1½ to 5 Ton [5.28 to 17.6 kW]
Cooling Capacities 17.3 to 60.5 kBTU
[5.7 to 17.7 kW]



"Proper sizing and installation of equipment is critical to achieve optimal performance. Split system air conditioners and heat pumps must be matched with appropriate coil components to meet Energy Star. Ask your Contractor for details or visit www.energystar.gov."

- New composite base pan – dampens sound, captures louver panels, eliminates corrosion and reduces number of fasteners needed
- Powder coat paint system – for a long lasting professional finish
- Scroll compressor – uses 70% fewer moving parts for higher efficiency and increased reliability
- Modern cabinet aesthetics – increased curb appeal with visually appealing design
- Curved louver panels – provide ultimate coil protection, enhance cabinet strength, and increased cabinet rigidity
- Optimized fan orifice – optimizes airflow and reduces unit sound
- Rust resistant screws – confirmed through 1500-hour salt spray testing
- PlusOne™ **Expanded Valve Space** – 3"-4"-5" service valve space – provides a minimum working area of 27-square inches for easier access
- PlusOne™ **Triple Service Access** – 15" wide, industry leading corner service access – makes repairs easier and faster. The two fastener removable corner allows optimal access to internal unit components. Individual louver panels come out once fastener is removed, for faster coil cleaning and easier cabinet reassembly
- Diagnostic service window with two-fastener opening – provides access to the high and low pressure.
- External gauge port access – allows easy connection of "low-loss" gauge ports
- Single-row condenser coil – makes unit lighter and allows thorough coil cleaning to maintain "out of the box" performance
- 35% fewer cabinet fasteners and fastener-free base – allow for faster access to internal components and hassle-free panel removal
- Service trays – hold fasteners or caps during service calls
- QR code – provides technical information on demand for faster service calls
- Fan motor harness with extra long wires allows unit top to be removed without disconnecting fan wire.



TABLE OF CONTENTS

Standard Feature	3
Available SKUs	3
Features & Benefits	4-5
Model Number Identification	6-7
General Data/Electrical Data	8
Accessories	9
Weighted Sound Power	9
Thermostats	9
Unit Dimensions	10
Clearances	11
Wiring Diagrams	12
Application Guidelines	12
Refrigerant Line Size Information	13-14
Performance Data	15-45
Guide Specifications	46
Limited Warranty	47



Standard Feature Table

Feature	STANDARD FEATURES						
	18	24	30	36	42	48	60
R-410a Refrigerant	√	√	√	√	√	√	√
Maximum SEER	15.1	15.0	15.5	15.1	14.5	14.5	14.0
Maximum EER	12.5	12.5	13.0	12.5	12.0	12.0	11.5
Scroll Compressor	√	√	√	√	√	√	√
Field Installed Filter Drier	√	√	√	√	√	√	√
Front Seating Service Valves	√	√	√	√	√	√	√
Internal Pressure Relief Valve	√	√	√	√	√	√	√
Internal Thermal Overload	√	√	√	√	√	√	√
Long Line capability	√	√	√	√	√	√	√
Low Ambient capability with Kit	√	√	√	√	√	√	√
3-4-5 Expanded Valve Space	√	√	√	√	√	√	√
Composite Basepan	√	√	√	√	√	√	√
2 Screw Control Box Access	√	√	√	√	√	√	√
15" Access to Internal Components	√	√	√	√	√	√	√
Quick release louver panel design	√	√	√	√	√	√	√
No fasteners to remove along bottom	√	√	√	√	√	√	√
Optimized Venturi Airflow	√	√	√	√	√	√	√
Single row condenser coil	√	√	√	√	√	√	√
Powder coated paint	√	√	√	√	√	√	√
Rust resistant screws	√	√	√	√	√	√	√
QR code	√	√	√	√	√	√	√
External gauge ports	√	√	√	√	√	√	√
Service trays	√	√	√	√	√	√	√

√ = Standard

Available SKUs

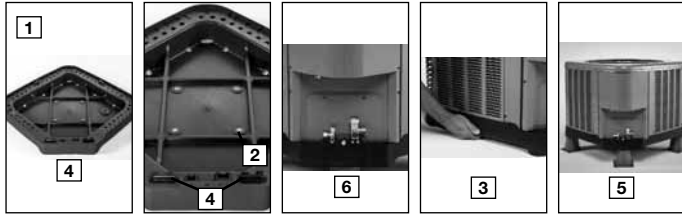
Available Models	Description
RA1318AJ1NA	Classic® Series 1 1/2 ton 13 SEER Single-Stage Air Conditioner-208/230/1/60
RA1324AJ1NA	Classic® Series 2 ton 13 SEER Single-Stage Air Conditioner-208/230/1/60
RA1330AJ1NA	Classic® Series 2 1/2 ton 13 SEER Single-Stage Air Conditioner-208/230/1/60
RA1336AJ1NA	Classic® Series 3 ton 13 SEER Single-Stage Air Conditioner-208/230/1/60
RA1342AJ1NA	Classic® Series 3 1/2 ton 13 SEER Single-Stage Air Conditioner-208/230/1/60
RA1348AJ1NA	Classic® Series 4 ton 13 SEER Single-Stage Air Conditioner-208/230/1/60
RA1360AJ1NA	Classic® Series 5 ton 13 SEER Single-Stage Air Conditioner-208/230/1/60
RA1318AJ1NB	Classic® Series 1 1/2 ton 13 SEER Single-Stage Air Conditioner w/ High/Low Pressure-208/230/1/60
RA1324AJ1NB	Classic® Series 2 ton 13 SEER Single-Stage Air Conditioner w/ High/Low Pressure-208/230/1/60
RA1330AJ1NB	Classic® Series 2 1/2 ton 13 SEER Single-Stage Air Conditioner w/ High/Low Pressure-208/230/1/60
RA1336AJ1NB	Classic® Series 3 ton 13 SEER Single-Stage Air Conditioner w/ High/Low Pressure-208/230/1/60
RA1342AJ1NB	Classic® Series 3 1/2 ton 13 SEER Single-Stage Air Conditioner w/ High/Low Pressure-208/230/1/60
RA1348AJ1NB	Classic® Series 4 ton 13 SEER Single-Stage Air Conditioner w/ High/Low Pressure-208/230/1/60
RA1360AJ1NB	Classic® Series 5 ton 13 SEER Single-Stage Air Conditioner w/ High/Low Pressure-208/230/1/60
RA1336AC1NB	Classic® Series 3 ton 13 SEER Single-Stage Air Conditioner w/ High/Low Pressure-208/230/3/60
RA1342AC1NB	Classic® Series 3 1/2 ton 13 SEER Single-Stage Air Conditioner w/ High/Low Pressure-208/230/3/60
RA1348AC1NB	Classic® Series 4 ton 13 SEER Single-Stage Air Conditioner w/ High/Low Pressure-208/230/3/60
RA1360AC1NB	Classic® Series 5 ton 13 SEER Single-Stage Air Conditioner w/ High/Low Pressure-208/230/3/60
RA1336AD1NB	Classic® Series 3 ton 13 SEER Single-Stage Air Conditioner w/ High/Low Pressure-460/3/60
RA1342AD1NB	Classic® Series 3 1/2 ton 13 SEER Single-Stage Air Conditioner w/ High/Low Pressure-460/3/60
RA1348AD1NB	Classic® Series 4 ton 13 SEER Single-Stage Air Conditioner w/ High/Low Pressure-460/3/60
RA1360AD1NB	Classic® Series 5 ton 13 SEER Single-Stage Air Conditioner w/ High/Low Pressure-460/3/60



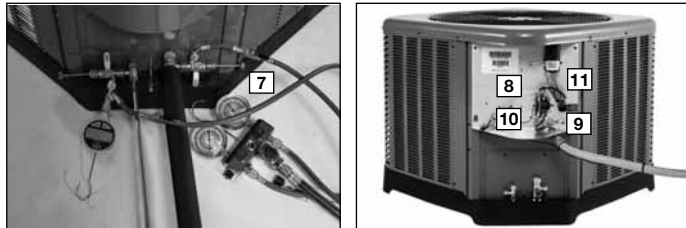
Introduction to RA13 Air Conditioner

The RA13 is our 13 SEER air conditioner and is part of the Rheem air conditioner product line that extends from 13 to 20 SEER. This highly featured and reliable air conditioner is designed for years of reliable, efficient operation when matched with Rheem indoor aluminum evaporator coils and furnaces or air handler units with aluminum evaporators.

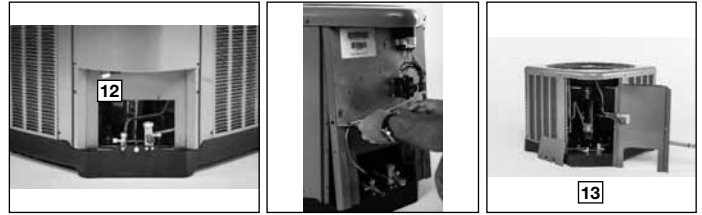
Our unique composite base (1) reduces sound emission, eliminates rattles, significantly reduces fasteners, eliminates corrosion and has integrated brass compressor attachment inserts (2). Furthermore it has incorporated into the design, water management features, means for hand placement (3) for unit maneuvering, screw trays (4) and inserts for lifting off unit pad. (5)



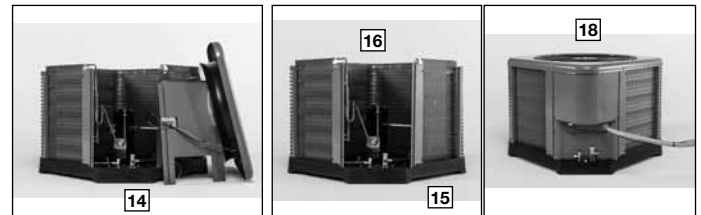
Service Valves (6) are rigidly mounted in the composite base with 3" between suction and discharge valves, 4" clearance below service valves and a minimum of 5" above the service valves, creating industry leading installation ease. The minimum 27 square-inches around the service valves allows ample room to remove service valve schrader prior to brazing, plenty of clearance for easy brazing of the suction and discharge lines to service valve outlets, easy access and hookup of low loss refrigerant gauges (7), and access to the service valve caps for opening. For applications with long-line lengths up to 250 feet total equivalent length, up to 200 feet condenser above evaporator, or up to 80 feet evaporator above condenser, the long-line instructions in the installation manual should be followed.



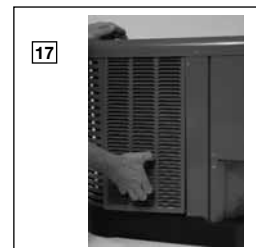
Controls are accessed from the corner of the unit by removing only two fasteners from the control access cover, revealing the industry's largest 15" wide and 14" tall control area (8). With all this room in the control area the high voltage electrical whip (9) can easily be inserted through the right size opening in the bottom of the control area. Routing it leads directly to contractor lugs for connection. The low voltage control wires (10) are easily connected to units low voltage wiring. If contactor or capacitor (11) needs to be replaced there is more than adequate space to make the repair. Furthermore, if high pressure and low pressure model was not purchased but is desired to be installed in the field, the service window (12) can be removed by removing two screws, to access the high and low side schrader fittings for easy field installation. The entire corner can be removed providing ultimate access to install the high and low pressure switch. (13)



If in the rare event, greater access is needed to internal components, such as the compressor, the entire corner of the unit can be removed along with the top cover assembly to have unprecedented access to interior of the unit (14). Extra wire length is incorporated into each outdoor fan and compressor so top cover and control panel can be positioned next to the unit. With minimal effort the plug can be removed from the compressor and the outdoor fan wires can be removed from the capacitor to allow even more uncluttered access to the interior of the unit (15). Outdoor coil heights range from as short as 22" to 28", aiding access to the compressor. Disassembly to this degree and complete reassembly only takes a first time service technician less than 10 minutes. (15)



All units utilize strong formed louver panels which provide industry leading coil protection. Louver removal for coil cleaning is accomplished by removing one screw and lifting the panel out of the composite base pan. (17) All RA13 units utilize single row coils (18) making cleaning easy and complete, restoring the performance of the air conditioner back to out of the box performance levels year after year.



The outdoor fan motor has sleeve bearings and is inherently protected. The motor is totally enclosed for maximum protection from weather, dust and corrosion. Access to the outdoor fan is made by removing four fasteners from the fan grille. The outdoor fan can be removed from the fan grille by removing 4 fasteners in the rare case outdoor fan motor fails.

Each cabinet has optimized composite (19) fan orifice assuring efficient and quiet airflow.



The entire cabinet has powder post paint (20) achieving 1000 hour salt spray rating, allowing the cabinet to retain its aesthetics throughout its life.



Scroll compressors with standard internal pressure relief and internal thermal overload are used on all capacities assuring longevity of high efficient and quiet operation for the life of the product.

Each unit is shipped with filter drier for field installation and will trap any moisture or dirt that could contaminate the refrigerant system.



All cabinets have industry leading structural strength due to the composite base pan (21), interlocking corner post (22), formed curved louver panels (23) and drawn top cover (24) making it the most durable cabinet on the market today.

Each RA13 capacity has undergone rigorous psychometric testing to assure performance ratings of capacity, SEER and EER per AHRI Standard 210/240 rating conditions. Also each unit bears the UL mark and each unit is certified to UL 1995 safety standards.



Each unit has undergone specific strain and modal testing to assure tubing (25) is outside the units natural frequency and that the suction and discharge lines connected to the compressor withstand any starting, steady state operation or shut down forces imposed by the compressor.

All units have been sound tested in sound chamber to AHRI 270 rating conditions, and A-weighted Sound Power Level tables produced, assuring units have acceptable noise qualities (see page 9). Each unit has been ran in cooling operation at 95°F and 82°F and sound ratings for the RA13 range from as low as 73 dBA to 79 dBA.

All units have been ship tested to assure units meet stringent “over the road” shipping conditions.

As manufactured all units in the RA13 family have cooling capability to 55 °F. Addition of low ambient control will allow the unit to operate down to 0°F. Factory testing is performed on each unit. All component parts meet well defined specification and continually go through receiving inspections. Each component installed on a unit is scanned, assuring correct component utilization for a given unit capacity and voltage. All condenser coils are leak tested with pressurization test to 550#’s and once installed and assembled, each units’ complete refrigerant system is helium leak tested. All units are fully charged from the factory for up to 15 feet of piping. All units are factory run tested. The RA13 has a 10-year conditional compressor and parts warranty (registration required).

Optional Accessories

(Refer to accessory chart for model #)

Compressor Crankcase Heater

Protects against refrigerant migration that can occur during low ambient operation

Compressor Sound Cover

- Reinforced vinyl compressor cover containing a 1½ inch thick batt of fiberglass insulation
- Open edges are sealed with a one-inch wide hook and loop fastening tape

Compressor Hard Start Kit

- Single-phase units are equipped with a PSC compressor motor, this type of motor normally does not need a potential relay and start capacitor
- Kit may be required to increase the compressor starting torque, in conditions such as low voltage

Low Ambient Kit

- Air conditioners operate satisfactorily in the cooling mode down to 55°F outdoor air temperature without any additional controls
- This Kit can be added in the field enabling unit to operate properly down to 0° in the cooling mode
- Crankcase heater and freezestat should be installed on compressors equipped with a low ambient kit

3"/6"/12"

- Gray high density polyethylene feet are available to raise unit off of mounting surface away from moisture

Low Pressure

- Can be added in field enabling the unit to shut off compressor on loss of charge

NOTE: Unit can be purchased with high and low pressure installed at factory. (Refer to SKU list)

High Pressure

- Can be added in field enabling unit to shut off compressor if unit loses outdoor fan operation.

NOTE: Unit can be purchased with high and low pressure installed at factory. (Refer to SKU list)

Decorative Top

- Can be installed on fan grille



Air Conditioners*

R A 13 24 A J 1 N A * -

Brand	Product Category	SEER	Capacity BTU/HR	Major Series*	Voltage	Type	Controls	Minor Series**	Option Code
Rheem	A - Air Conditioners	13 - 13 SEER 14 - 14 SEER 16 - 16 SEER 17 - 17 SEER 20 - 20 SEER	18 - 18,000 [5.28 kW] 24 - 24,000 [7.03 kW] 30 - 30,000 [8.79 kW] 36 - 36,000 [10.55 kW] 42 - 42,000 [12.31 kW] 48 - 48,000 [14.07 kW] 60 - 60,000 [17.58 kW]	A - 1st Design	J - 1ph, 208-230/60 C - 3ph, 208-230/60 D - 3ph, 460/60	1 - Single-stage 2 - Two-stage V - Inverter	C - Communicating N - Non-Communicating	A - 1st Design	N/A

*See page 3 for available SKU's.

Heat Pumps (For Reference)**

R P 14 24 A J 1 N A * -

Brand	Product Category	SEER	Capacity BTU/HR	Major Series*	Voltage	Type	Controls	Minor Series**	Option Code
Rheem	P - Heat Pump	13 - 13 SEER 14 - 14 SEER 15 - 15 SEER 17 - 17 SEER 20 - 20 SEER	18 - 18,000 [5.28 kW] 24 - 24,000 [7.03 kW] 30 - 30,000 [8.79 kW] 36 - 36,000 [10.55 kW] 42 - 42,000 [12.31 kW] 48 - 48,000 [14.07 kW] 60 - 60,000 [17.58 kW]	A - 1st Design	J - 1ph, 208-230/60 C - 3ph, 208-230/60 D - 3ph, 460/60	1 - Single-stage 2 - Two-stage V - Inverter P - Piston	C - Communicating N - Non-Communicating	A - 1st Design	N/A

Furnace Coils (For Reference)**

R C F 17 24 S I A M C A * -

Brand	Product Category	Type	Capacity BTU/HR	Width	Efficiency	Metering Device	Major Series*	Orientation	Casing	Minor Series**	Option Code
Rheem	C - Evap Coil	F - Furn Coil H - Air-Handler Coil	24 - 24,000 [7.03 kW] 36 - 36,000 [10.55 kW] 48 - 48,000 [14.07 kW] 60 - 60,000 [17.58 kW]	14 - 14" 17 - 17.5" 21 - 21" 24 - 24.5"	S - Standard Eff. M - Mid Eff. H - High Eff.	T-TXV E-EEV P-Piston	A - 1st Design	M - Multipoise V - Vertical only/ convertible H - Ded. Horizontal only	C - Cased U - Uncased	A - 1st Design	N/A

**Model number ID's are for reference only. See available SKU page of applicable spec sheet for table of available SKU's for a specific model.

[] Designates Metric Conversions



90%+ AFUE Gas Furnaces (For Reference)**

R	96	V	A	70	2	3	17	A		
Brand	Series	Motor	Major Rev	Input BTU/HR	Stages	Air Flow	Cabinet Width	Configuration	Nox	Minor Rev
Rheem	90 - 90 AFUE	V - Variable speed	A - 1st Design	040 - 42,000 [12.31 kW]	1 - Single-stage	3 - up to 3 ton	14 - 14"	M - Multi	X - Low Nox	A - 1st Design
	92 - 92 AFUE	T - Constant Torque (X-13)		060 - 56,000 [16.41 kW]	2 - Two-stage	5 - 3 1/2 up to 5 ton	17 - 17.5"		S - Standard	
	95 - 95 AFUE			070 - 70,000 [20.51 kW]	M - Modulating		21 - 21"			
	96 - 96 AFUE			085 - 84,000 [24.62 kW]			24 - 24.5"			
	97 - 97 AFUE	P - PSC		100 - 98,000 [28.72 kW]						
				115 - 112,000 [32.82 kW]						

80% AFUE Gas Furnaces (For Reference)**

R	80	2	V	A	075	3	17	M	S	A
Brand	Series	Stages	Motor	Major Rev	Input BTU/HR	Air Flow	Cabinet Width	Configuration	Nox	Minor Rev
Rheem	80 - 80+ AFUE	1 - Single-stage	V - Variable speed	A - 1st Design	050 - 50,000 [15 kW]	3 - up to 3 ton	14 - 14"	M - Multi	X - Low Nox	A - 1st Design
		2 - Two-stage	T - Constant Torque (X-13)		075 - 75,000 [22 kW]	4 - 2 1/2 to 4 ton	17 - 17.5"	D - Down	S - Standard	
			P - PSC premium		100 - 100,000 [29 kW]	5 - 3 1/2 up to 5 ton	21 - 21"	Z - Down & zero clearance		
			S - PSC standard		125 - 125,000 [37 kW]		24 - 24.5"	down flow		
					150 - 150,000 [44 kW]					

Air Handlers (For Reference)**

R	H	1	I	36	17	S	T	A	N	A	A	000	*	-
Brand	Product Category	Stages of Airflow	Motor Type	Capacity BTU/HR	Width	Coil Size	Metering Device	Major Series*	Controls	Voltage	Minor Series**	Factory Heat Cap	Option Code	
Rheem	H - Air Handler	1 - Single-Stage	V - Variable Speed	24 - 24,000 [7.03 kW]	14 - 14"	S - Standard Eff.	T - TEV	A - 1st Design	C - Communicating	A - 1ph, 115/60	A - 1st Design	00 - no	*TBD	
		2 - Two-Stage	T - Constant Torque	36 - 36,000 [10.55 kW]	17 - 17.5"	M - Mid Eff.	E - EEV		N - Non-comm	J - 1ph, 208-240/60		factory heat		
		M - Modulating	P - PSC	48 - 48,000 [14.07 kW]	21 - 21"	H - High Eff.	P - Piston		D - 3ph, 480/60	D - 3ph, 480/60		with option		
				60 - 60,000 [17.58 kW]	24 - 24.5"							code		

**Model number ID's are for reference only. See available SKU page of applicable spec sheet for table of available SKU's for a specific model.

[] Designates Metric Conversions



Physical Data

PHYSICAL DATA							
Model No.	RA1318A	RA1324A	RA1330A	RA1336A	RA1342A	RA1348A	RA1360A
Nominal Tonnage	1.5	2.0	2.5	3.0	3.5	4.0	5.0
Valve Connections							
Liquid Line O.D. – in.	3/8	3/8	3/8	3/8	3/8	3/8	3/8
Suction Line O.D. – in.	3/4	3/4	3/4	3/4	7/8	7/8	7/8
Refrigerant (R410A) furnished oz. ¹	50	60	72	86	105	106	148
Compressor Type	Scroll						
Outdoor Coil							
Net face area – Outer Coil	5.9	9.1	9.1	12.1	14.2	14.8	18.8
Net face area – Inner Coil	—	—	—	—	—	—	—
Tube diameter – in.	3/8	3/8	3/8	3/8	3/8	3/8	3/8
Number of rows	1	1	1	1	1	1	1
Fins per inch	22	18	22	22	22	22	22
Outdoor Fan							
Diameter – in.	20	20	20	20	20	24	26
Number of blades	2	2	3	3	2	3	2
Motor hp	1/8	1/8	1/4	1/4	1/8	1/6	1/5
CFM	2038	2325	2795	2900	2465	4145	3870
RPM	1075	1075	1075	1075	1075	850	820
watts	144	137	189	186	175	279	233
Shipping weight – lbs.	127	129	140	164	195	202	235
Operating weight – lbs.	120	122	133	157	188	195	228

Electrical Data

Line Voltage Data (Volts-Phase-Hz)	208/230-1-60	208/230-1-60	208/230-1-60	208/230-1-60	208/230-1-60	208/230-1-60	208/230-1-60
Maximum overcurrent protection (amps) ²	20	25	30	35	40	50	60
Minimum circuit ampacity ³	13	15	18	23	24	29	35
Compressor							
Rated load amps	9.7	11.2	12.8	16.7	17.9	21.8	26.4
Locked rotor amps	46	60.8	64	83.9	112	117	134
Condenser Fan Motor							
Full load amps	0.7	0.7	1.3	1.3	0.7	1	1.2
Locked rotor amps	1.3	1.3	2.5	2.6	1.3	2.2	2.0
Line Voltage Data (Volts-Phase-Hz)	—	—	—	208/230-3-60	208/230-3-60	208/230-3-60	208/230-3-60
Maximum overcurrent protection (amps) ²	—	—	—	20	30	30	35
Minimum circuit ampacity ³	—	—	—	15	18	19	22
Compressor							
Rated load amps	—	—	—	10.4	13.2	13.7	16
Locked rotor amps	—	—	—	73	88	83.1	110
Condenser Fan Motor							
Full load amps	—	—	—	1.3	0.7	1	1.3
Locked rotor amps	—	—	—	2.6	1.3	2.2	2.0
Line Voltage Data (Volts-Phase-Hz)	—	—	—	480-3-60	480-3-60	480-3-60	480-3-60
Maximum overcurrent protection (amps) ²	—	—	—	15	15	15	15
Minimum circuit ampacity ³	—	—	—	8	8	9	11
Compressor							
Rated load amps	—	—	—	5.8	6.0	6.2	7.8
Locked rotor amps	—	—	—	38	44	41	52
Condenser Fan Motor							
Full load amps	—	—	—	.6	.3	.6	.6
Locked rotor amps	—	—	—	2.5	.9	1.6	1.1

¹Refrigerant charge sufficient for 15 ft. length of refrigerant lines. For longer line set requirements see the installation instructions for information about set length and additional refrigerant charge required.

²HACR type circuit breaker or fuse.

³Refer to National Electrical Code manual to determine wire, fuse and disconnect size requirements.



Accessories

Model No.	RA1318	RA1324	RA1330	RA1336	RA1342	RA1348	RA1360
Compressor crankcase heater*	44-17402-44	44-17402-44	44-17402-44	44-17402-44	44-17402-45	44-17402-45	44-17402-45
Low ambient control	RXAD-A08	RXAD-A08	RXAD-A08	RXAD-A08	RXAD-A08	RXAD-A08	RXAD-A08
Compressor sound cover	68-23427-26	68-23427-26	68-23427-26	68-23427-26	68-23427-25	68-23427-25	68-23427-25
Compressor hard start kit	SK-A1	SK-A1	SK-A1	SK-A1	SK-A1	SK-A1	SK-A1
Compressor time delay	RXMD-B01	RXMD-B01	RXMD-B01	RXMD-B01	RXMD-B01	RXMD-B01	RXMD-B01
Low pressure control	RXAC-A07	RXAC-A07	RXAC-A07	RXAC-A07	RXAC-A07	RXAC-A07	RXAC-A07
High pressure control	RXAB-A07	RXAB-A07	RXAB-A07	RXAB-A07	RXAB-A07	RXAB-A07	RXAB-A07
Liquid Line Solenoid (24 VAC, 50/60 Hz)	Solenoid Valve	200RD2T3TVLC	200RD2T3TVLC	200RD2T3TVLC	200RD2T3TVLC	200RD2T3TVLC	200RD3T3TVLC
	Solenoid Coil	61-AMG24V	61-AMG24V	61-AMG24V	61-AMG24V	61-AMG24V	61-AMG24V
Liquid Line Solenoid (120/240 VAC, 50/60 Hz)	Solenoid Valve	200RD2T3TVLC	200RD2T3TVLC	200RD2T3TVLC	200RD2T3TVLC	200RD2T3TVLC	200RD3T3TVLC
	Solenoid Coil	61-AMG120/240V	61-AMG120/240V	61-AMG120/240V	61-AMG120/240V	61-AMG120/240V	61-AMG120/240V
Top Cap w/Label	91-101123-21	91-101123-21	91-101123-21	91-101123-21	91-101123-21	91-101123-21	91-101123-21
Heat Pump Riser 6 in.	686020	686020	686020	686020	686020	686020	686020

*Crankcase Heater recommended with Low Ambient Kit.

Weighted Sound Power Level (dBA)

Model	Sound Power Level [dB(A)]	RA13 Sound Power Level							
		Full Octave Linear Sound Power Level dB - Center Frequency - Hz							
		125	250	500	1000	2000	4000	6300	8000
RA1318	79.1	57.3	63.1	69.8	69.5	65.6	60.5	56.3	53.3
RA1324	75.5	55.4	60.3	64.7	66.4	62.6	58.0	54.3	52.4
RA1330	78.1	51.4	67.4	67.5	68.2	65.5	59.8	55.6	53.6
RA1336	77.5	55.1	66.1	66.9	68.2	64.6	60.7	57.4	55.6
RA1342	72.7	48.9	56.1	62.9	62.2	61.1	55.2	51.9	50.2
RA1348	75.8	51.4	59.6	65.2	65.9	64.3	58.5	55.2	53.7
RA1360	77.7	51.7	60.9	66.9	70.4	63.5	57.4	55.4	53.8

NOTE: Tested in accordance with AHRI Standard 270-08 (not listed in AHRI)

Thermostats



200-Series *
Programmable



300-Series *
Deluxe
Programmable

400-Series *
Special Applications/
Programmable



500-Series *
Communicating/
Programmable

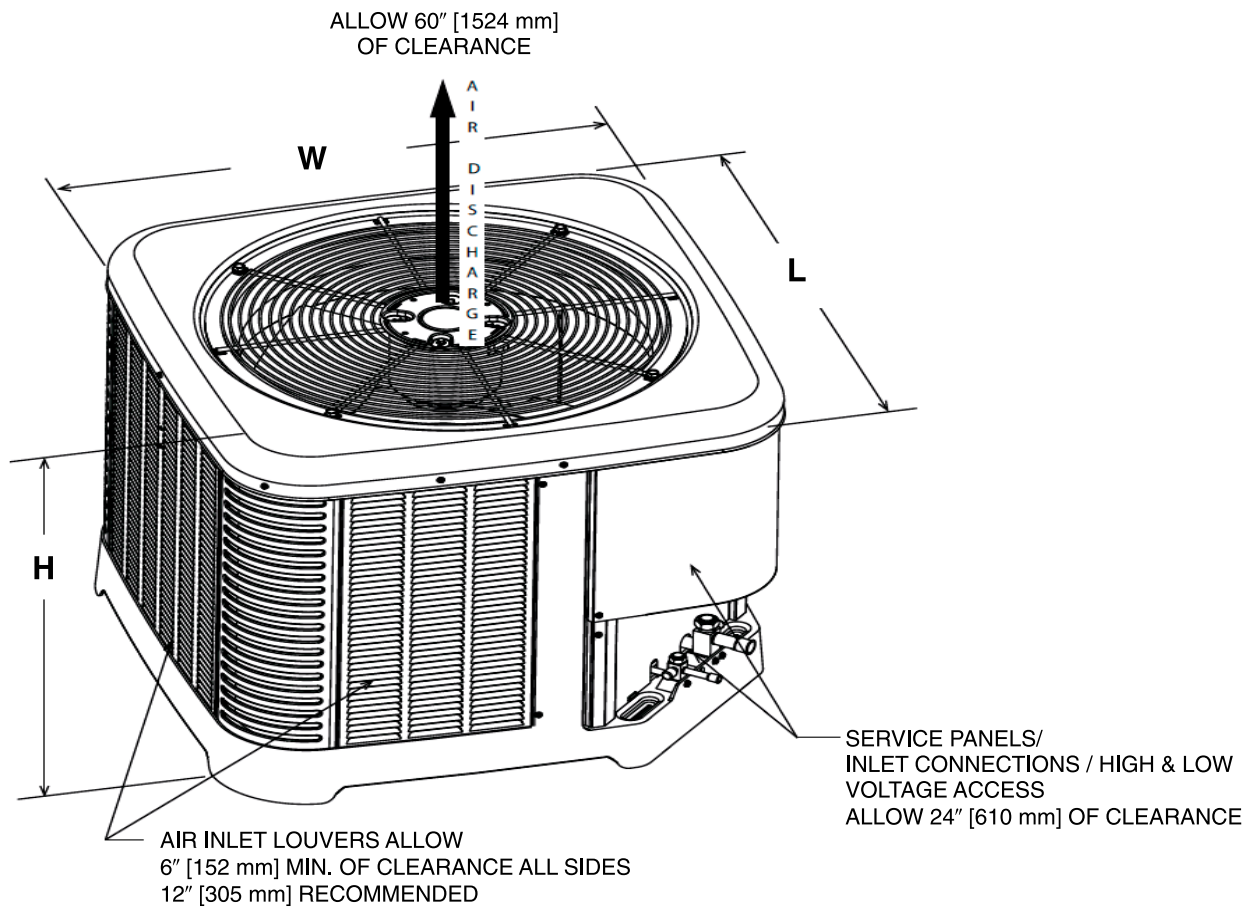
Brand	Descriptor (3 Characters)	Series (3 Characters)	System (2 Characters)	Type (2 Characters)
RHC	TST	213	UN	MS
RHC=Rheem	TST=Thermostat	200=Programmable 300=Deluxe Programmable 400=Special Applications/ Programmable 500=Communicating/ Programmable	GE=Gas/Electric UN=Universal (AC/HP/GE) MD=Modulating Furnace DF=Dual Fuel CM=Communicating	SS=Single-Stage MS=Multi-Stage

* Photos are representative. Actual models may vary.

For detailed thermostat match-up information,
see specification sheet form number T11-001.

Unit Dimensions

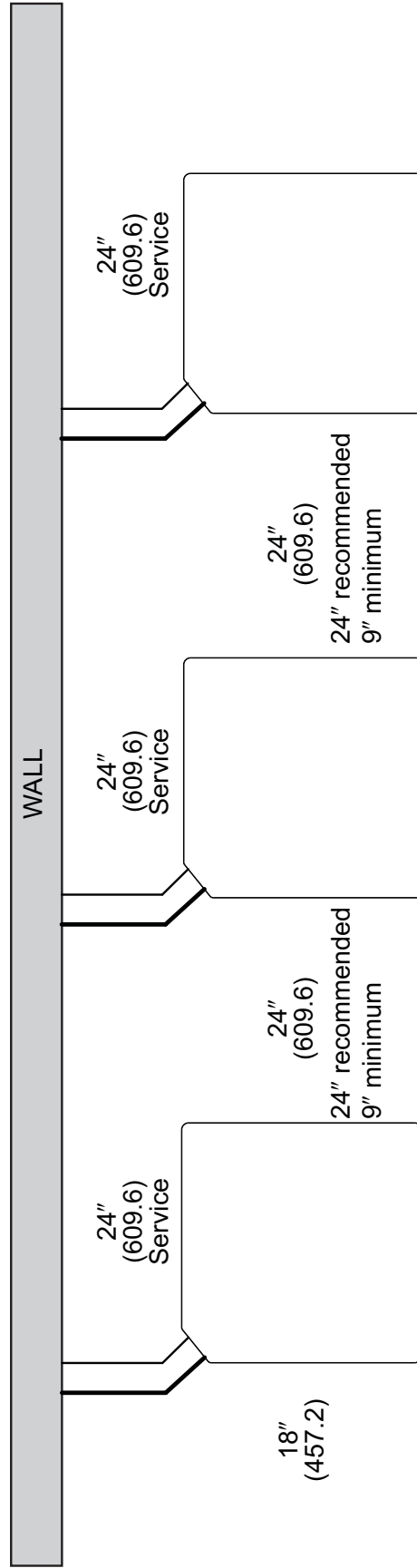
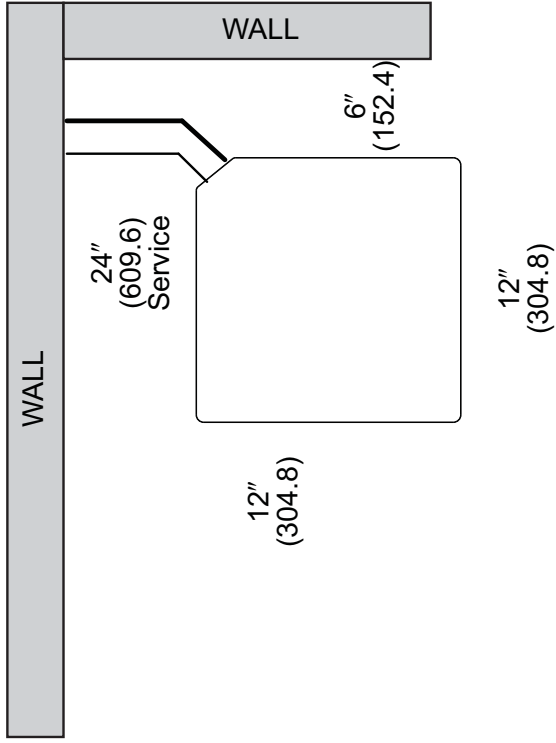
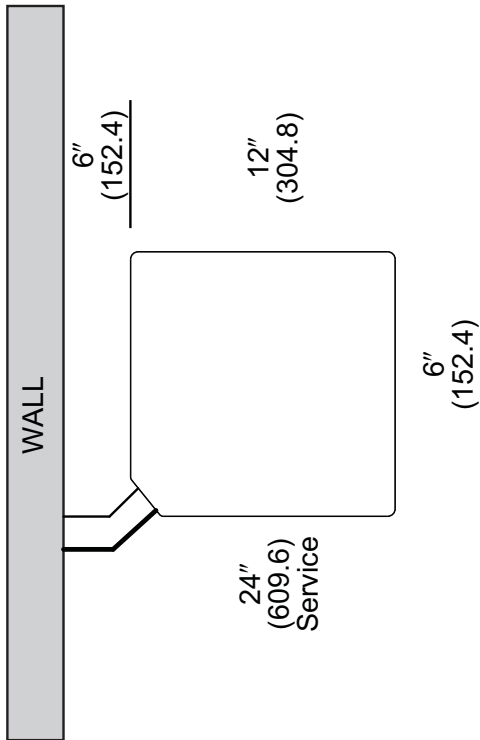
MODEL NO.	OPERATING						SHIPPING					
	H (Height)		L (Length)		W (Width)		H (Height)		L (Length)		W (Width)	
	INCHES	mm	INCHES	mm	INCHES	mm	INCHES	mm	INCHES	mm	INCHES	mm
RA1318	27	685	29.75	755	29.75	755	28.75	730	32.38	822	32.38	822
RA1324	25	635	29.75	755	29.75	755	26.75	679	32.38	822	32.38	822
RA1330	25	635	29.75	755	29.75	755	26.75	679	32.38	822	32.38	822
RA1336	27	685	29.75	755	29.75	755	28.75	730	32.38	822	32.38	822
RA1342	31	787	29.75	755	29.75	755	32.75	831	32.38	822	32.38	822
RA1348	27	685	33.75	857	33.75	857	28.75	730	36.38	924	36.38	924
RA1360	31	787	35.75	908	35.75	908	32.75	831	38.38	974	38.38	974



[] Designates Metric Conversions

ST-A1226-02-00

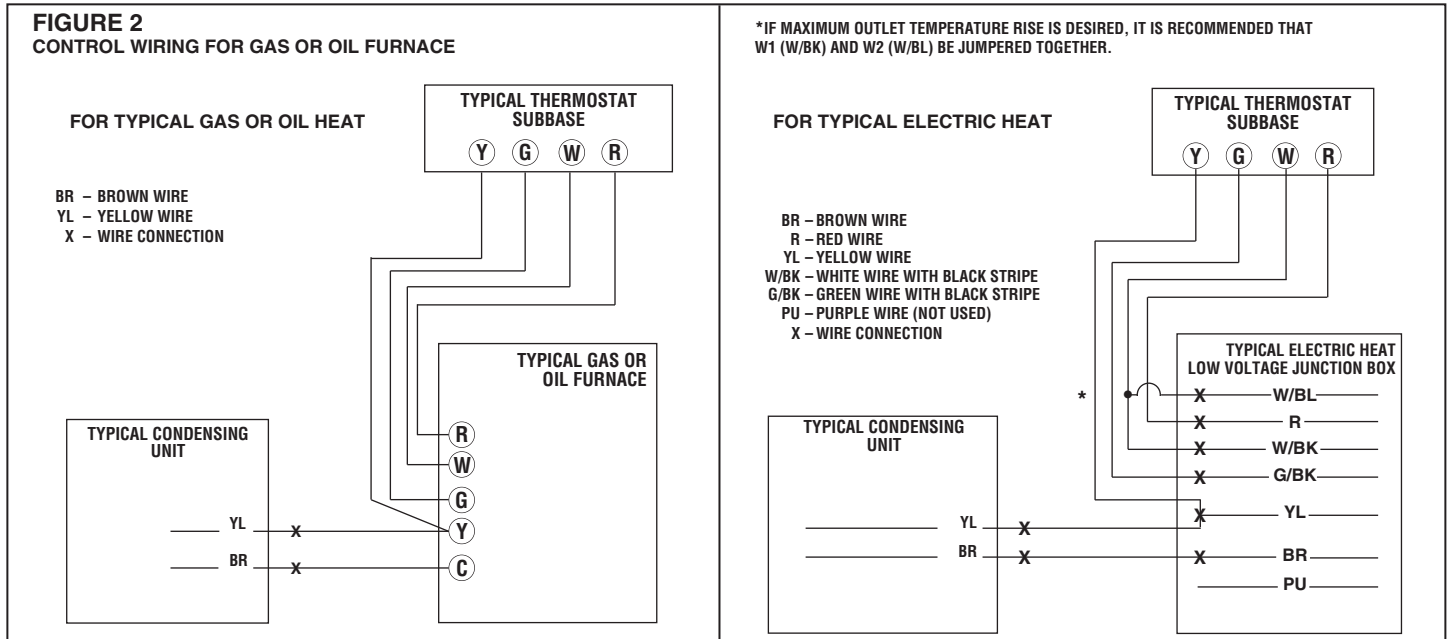
CLEARANCES



NOTE: NUMBERS IN () = mm

IMPORTANT: When installing multiple units in an alcove, roof well or partially enclosed area, ensure there is adequate ventilation to prevent re-circulation of discharge air.

Control Wiring



Application Guidelines

1. Intended for outdoor installation with free air inlet and outlet. Outdoor fan external static pressure available is less than 0.01 -in. wc.
2. Minimum outdoor operation air temperature for cooling mode without low-ambient operation accessory is 55°F (12.8°C).
3. Maximum outdoor operating air temperature is 125°F (51.7°C).
4. For reliable operation, unit should be level in all horizontal planes.
5. Use only copper wire for electric connections at unit. Aluminum and clad aluminum are not acceptable for the type of connector provided.
6. Do not apply capillary tube indoor coils to these units.
7. Factory – supplied filter drier must be installed.



Air

Refrigerant Line Size Information

R-410A System Capacity Model	Liquid Line Size Connection Size (Inch I.D.) [mm]	Liquid Line Size (Inch O.D.) [mm]	Liquid Line Size Elevation (Above or Below) Indoor Coil Total Equivalent Length - Feet [m]															
			Maximum Vertical Separation - Feet [m]															
			25 [7.62]	50 [15.24]	75 [22.86]	100 [30.48]	125 [45.72]	150 [45.72]	175 [53.34]	200 [60.96]	225 [68.58]	250 [76.20]	275 [83.82]	300 [91.44]	N/R	N/R	N/R	
18	3/8" [9.53]	1/4 [6.35]	50 [15.24]	65 [19.81]	50 [15.24]	40 [12.19]	25 [7.62]	10 [3.05]	N/R	N/R	N/R	N/R	N/R	N/R	N/R	N/R	N/R	
		5/16 [7.94]	50 [15.24]	75 [22.86]	95 [28.96]	90 [27.43]	90 [27.43]	85 [25.91]	80 [24.38]	75 [22.86]	70 [21.34]	65 [19.81]	60 [18.29]	55 [16.76]	50 [15.24]	45 [13.72]	40 [12.19]	
		3/8 [9.53]	50 [15.24]	75 [22.86]	100 [30.48]	105 [32]	100 [30.48]	100 [30.48]	100 [30.48]	100 [30.48]	100 [30.48]	100 [30.48]	100 [30.48]	100 [30.48]	100 [30.48]	100 [30.48]	100 [30.48]	100 [30.48]
		7/16 [11.12]	50 [15.24]	75 [22.86]	100 [30.48]	105 [32]	105 [32]	105 [32]	105 [32]	105 [32]	105 [32]	105 [32]	105 [32]	105 [32]	105 [32]	105 [32]	105 [32]	105 [32]
		1/2 [12.71]	50 [15.24]	75 [22.86]	100 [30.48]	110 [33.53]	110 [33.53]	110 [33.53]	110 [33.53]	110 [33.53]	110 [33.53]	110 [33.53]	110 [33.53]	110 [33.53]	110 [33.53]	110 [33.53]	110 [33.53]	110 [33.53]
24	3/8" [9.53]	1/4 [6.35]	50 [15.24]	35 [10.67]	10 [3.05]	N/R	N/R	N/R	N/R	N/R	N/R	N/R	N/R	N/R	N/R	N/R	N/R	
		5/16 [7.94]	50 [15.24]	75 [22.86]	85 [25.91]	75 [22.86]	75 [22.86]	65 [19.81]	55 [16.76]	50 [15.24]	45 [13.72]	40 [12.19]	35 [10.67]	30 [9.14]	25 [7.62]	20 [6.1]	15 [4.57]	
		3/8 [9.53]	50 [15.24]	75 [22.86]	100 [30.48]	100 [30.48]	100 [30.48]	100 [30.48]	100 [30.48]	100 [30.48]	100 [30.48]	100 [30.48]	100 [30.48]	100 [30.48]	100 [30.48]	100 [30.48]	100 [30.48]	100 [30.48]
		7/16 [11.12]	50 [15.24]	75 [22.86]	100 [30.48]	105 [32]	105 [32]	105 [32]	105 [32]	105 [32]	105 [32]	105 [32]	105 [32]	105 [32]	105 [32]	105 [32]	105 [32]	105 [32]
		1/2 [12.71]	50 [15.24]	75 [22.86]	100 [30.48]	105 [32]	105 [32]	105 [32]	105 [32]	105 [32]	105 [32]	105 [32]	105 [32]	105 [32]	105 [32]	105 [32]	105 [32]	105 [32]
30	3/8" [9.53]	1/4 [6.35]	25 [7.62]	N/R	N/R	N/R	N/R	N/R	N/R	N/R	N/R	N/R	N/R	N/R	N/R	N/R	N/R	
		5/16 [7.94]	50 [15.24]	75 [22.86]	65 [19.81]	55 [16.76]	45 [13.72]	35 [10.67]	25 [7.62]	15 [4.57]	5 [1.52]	N/R	N/R	N/R	N/R	N/R	N/R	
		3/8 [9.53]	50 [15.24]	75 [22.86]	100 [30.48]	90 [27.43]	85 [25.91]	80 [24.38]	80 [24.38]	80 [24.38]	75 [22.86]	70 [21.34]	65 [19.81]	60 [18.29]	55 [16.76]	50 [15.24]	45 [13.72]	
		7/16 [11.12]	50 [15.24]	75 [22.86]	100 [30.48]	105 [32]	105 [32]	105 [32]	105 [32]	105 [32]	105 [32]	105 [32]	105 [32]	105 [32]	105 [32]	105 [32]	105 [32]	105 [32]
		1/2 [12.71]	50 [15.24]	75 [22.86]	100 [30.48]	105 [32]	105 [32]	105 [32]	105 [32]	105 [32]	105 [32]	105 [32]	105 [32]	105 [32]	105 [32]	105 [32]	105 [32]	105 [32]
36	3/8" [9.53]	1/4 [6.35]	50 [15.24]	65 [19.81]	50 [15.24]	35 [10.67]	25 [7.62]	10 [3.05]	N/R	N/R	N/R	N/R	N/R	N/R	N/R	N/R	N/R	
		5/16 [7.94]	50 [15.24]	75 [22.86]	85 [25.91]	80 [24.38]	75 [22.86]	70 [21.34]	65 [19.81]	60 [18.29]	55 [16.76]	50 [15.24]	45 [13.72]	40 [12.19]	35 [10.67]	30 [9.14]	25 [7.62]	
		3/8 [9.53]	50 [15.24]	75 [22.86]	100 [30.48]	95 [28.96]	90 [27.43]	85 [25.91]	80 [24.38]	80 [24.38]	75 [22.86]	70 [21.34]	65 [19.81]	60 [18.29]	55 [16.76]	50 [15.24]	45 [13.72]	
		7/16 [11.12]	50 [15.24]	75 [22.86]	100 [30.48]	105 [32]	105 [32]	105 [32]	105 [32]	105 [32]	105 [32]	105 [32]	105 [32]	105 [32]	105 [32]	105 [32]	105 [32]	105 [32]
		1/2 [12.71]	50 [15.24]	75 [22.86]	100 [30.48]	105 [32]	105 [32]	105 [32]	105 [32]	105 [32]	105 [32]	105 [32]	105 [32]	105 [32]	105 [32]	105 [32]	105 [32]	105 [32]
42	3/8" [9.53]	1/4 [6.35]	50 [15.24]	50 [15.24]	30 [9.14]	15 [4.57]	N/R	N/R	N/R	N/R	N/R	N/R	N/R	N/R	N/R	N/R	N/R	
		5/16 [7.94]	50 [15.24]	75 [22.86]	80 [24.38]	70 [21.34]	65 [19.81]	60 [18.29]	55 [16.76]	50 [15.24]	40 [12.19]	35 [10.67]	30 [9.14]	25 [7.62]	20 [6.1]	15 [4.57]		
		3/8 [9.53]	50 [15.24]	75 [22.86]	100 [30.48]	95 [28.96]	90 [27.43]	85 [25.91]	80 [24.38]	80 [24.38]	75 [22.86]	70 [21.34]	65 [19.81]	60 [18.29]	55 [16.76]	50 [15.24]	45 [13.72]	
		7/16 [11.12]	50 [15.24]	75 [22.86]	100 [30.48]	105 [32]	105 [32]	105 [32]	105 [32]	105 [32]	105 [32]	105 [32]	105 [32]	105 [32]	105 [32]	105 [32]	105 [32]	105 [32]
		1/2 [12.71]	50 [15.24]	75 [22.86]	100 [30.48]	105 [32]	105 [32]	105 [32]	105 [32]	105 [32]	105 [32]	105 [32]	105 [32]	105 [32]	105 [32]	105 [32]	105 [32]	105 [32]
48	3/8" [9.53]	1/4 [6.35]	5 [1.52]	N/R	N/R	N/R	N/R	N/R	N/R	N/R	N/R	N/R	N/R	N/R	N/R	N/R	N/R	
		5/16 [7.94]	50 [15.24]	30 [9.14]	5 [1.52]	N/R	N/R	N/R	N/R	N/R	N/R	N/R	N/R	N/R	N/R	N/R	N/R	
		3/8 [9.53]	50 [15.24]	75 [22.86]	65 [19.81]	60 [18.29]	55 [16.76]	50 [15.24]	45 [13.72]	40 [12.19]	35 [10.67]	30 [9.14]	25 [7.62]	20 [6.1]	15 [4.57]	10 [3.05]		
		7/16 [11.12]	50 [15.24]	75 [22.86]	100 [30.48]	85 [25.91]	80 [24.38]	75 [22.86]	70 [21.34]	65 [19.81]	60 [18.29]	55 [16.76]	50 [15.24]	45 [13.72]	40 [12.19]	35 [10.67]	30 [9.14]	
		1/2 [12.71]	50 [15.24]	75 [22.86]	100 [30.48]	90 [27.43]	85 [25.91]	80 [24.38]	75 [22.86]	70 [21.34]	65 [19.81]	60 [18.29]	55 [16.76]	50 [15.24]	45 [13.72]	40 [12.19]	35 [10.67]	
60	3/8" [9.53]	1/4 [6.35]	N/R	N/R	N/R	N/R	N/R	N/R	N/R	N/R	N/R	N/R	N/R	N/R	N/R	N/R	N/R	
		5/16 [7.94]	20 [6.1]	N/R	N/R	N/R	N/R	N/R	N/R	N/R	N/R	N/R	N/R	N/R	N/R	N/R	N/R	
		3/8 [9.53]	25 [7.62]	30 [9.14]	20 [6.1]	5 [1.52]	N/R	N/R	N/R	N/R	N/R	N/R	N/R	N/R	N/R	N/R	N/R	
		7/16 [11.12]	25 [7.62]	45 [13.72]	40 [12.19]	35 [10.67]	30 [9.14]	25 [7.62]	20 [6.1]	15 [4.57]	10 [3.05]	N/R	N/R	N/R	N/R	N/R	N/R	
		1/2 [12.71]	25 [7.62]	50 [15.24]	45 [13.72]	40 [12.19]	35 [10.67]	30 [9.14]	25 [7.62]	20 [6.1]	15 [4.57]	10 [3.05]	N/R	N/R	N/R	N/R	N/R	

NOTE: N/R = Application not recommended. Grey = This application is acceptable, but the long line guidelines must be followed. Reference Long Line Set section in the I&O

NOTE: [] Designates Metric Conversions



Refrigerant Line Size Information (con't.)

R-410A System Capacity Model	Vapor Line Connection Size (Inch I.D.) [mm]	Vapor Line Size (Inch O.D.) [mm]	Vapor Line Selection Chart Capacity Multiplier Table																		
			Total Equivalent Length - Feet [m]																		
			25 [7.62]	50 [15.24]	75 [22.86]	100 [30.48]	125 [45.72]	150 [45.72]	175 [53.34]	200 [60.96]	225 [68.58]	250 [76.20]	275 [83.82]	300 [91.44]							
18	3/4" [19.06]	5/8 [15.88] 3/4 [19.05] 7/8 [22.23] 1 [25.4] 1-1/8 [28.58]	1.00	0.99	0.99	0.98	0.98	0.98	0.98	0.98	0.98	0.97	0.97	0.97	0.96	0.96	0.96	0.95			
			1.00	1.00	1.00	1.00	1.00	1.00	1.00	1.00	1.00	1.00	1.00	1.00	1.00	1.00	1.00	1.00	0.99		
			N/R	N/R	N/R	N/R	N/R	N/R	N/R	N/R	N/R	N/R	N/R	N/R	N/R	N/R	N/R	N/R	N/R	N/R	
			N/R	N/R	N/R	N/R	N/R	N/R	N/R	N/R	N/R	N/R	N/R	N/R	N/R	N/R	N/R	N/R	N/R	N/R	N/R
			N/R	N/R	N/R	N/R	N/R	N/R	N/R	N/R	N/R	N/R	N/R	N/R	N/R	N/R	N/R	N/R	N/R	N/R	N/R
24	3/4" [19.06]	5/8 [15.88] 3/4 [19.05] 7/8 [22.23] 1 [25.4] 1-1/8 [28.58]	1.00	0.99	0.99	0.98	0.98	0.98	0.98	0.98	0.98	0.97	0.97	0.97	0.96	0.96	0.96	0.95			
			1.00	1.00	1.00	1.00	1.00	1.00	1.00	1.00	1.00	1.00	1.00	1.00	1.00	1.00	1.00	1.00	0.99		
			1.00	1.00	1.00	1.00	1.00	1.00	1.00	1.00	1.00	1.00	1.00	1.00	1.00	1.00	1.00	1.00	1.00	1.00	
			N/R	N/R	N/R	N/R	N/R	N/R	N/R	N/R	N/R	N/R	N/R	N/R	N/R	N/R	N/R	N/R	N/R	N/R	
			N/R	N/R	N/R	N/R	N/R	N/R	N/R	N/R	N/R	N/R	N/R	N/R	N/R	N/R	N/R	N/R	N/R	N/R	N/R
30	3/4" [19.06]	5/8 [15.88] 3/4 [19.05] 7/8 [22.23] 1 [25.4] 1-1/8 [28.58]	1.00	0.99	0.99	0.98	0.98	0.98	0.98	0.98	0.98	0.97	0.97	0.97	0.96	0.96	0.96	0.95			
			1.00	1.00	1.00	1.00	1.00	1.00	1.00	1.00	1.00	1.00	1.00	1.00	1.00	1.00	1.00	1.00	0.99		
			1.00	1.00	1.00	1.00	1.00	1.00	1.00	1.00	1.00	1.00	1.00	1.00	1.00	1.00	1.00	1.00	1.00	1.00	
			N/R	N/R	N/R	N/R	N/R	N/R	N/R	N/R	N/R	N/R	N/R	N/R	N/R	N/R	N/R	N/R	N/R	N/R	
			N/R	N/R	N/R	N/R	N/R	N/R	N/R	N/R	N/R	N/R	N/R	N/R	N/R	N/R	N/R	N/R	N/R	N/R	N/R
36	3/4" [19.06]	5/8 [15.88] 3/4 [19.05] 7/8 [22.23] 1 [25.4] 1-1/8 [28.58]	1.00	0.99	0.99	0.98	0.98	0.98	0.98	0.98	0.98	0.97	0.97	0.97	0.96	0.96	0.96	0.95			
			1.00	1.00	1.00	1.00	1.00	1.00	1.00	1.00	1.00	1.00	1.00	1.00	1.00	1.00	1.00	1.00	0.99		
			1.00	1.00	1.00	1.00	1.00	1.00	1.00	1.00	1.00	1.00	1.00	1.00	1.00	1.00	1.00	1.00	1.00	1.00	
			N/R	N/R	N/R	N/R	N/R	N/R	N/R	N/R	N/R	N/R	N/R	N/R	N/R	N/R	N/R	N/R	N/R	N/R	
			N/R	N/R	N/R	N/R	N/R	N/R	N/R	N/R	N/R	N/R	N/R	N/R	N/R	N/R	N/R	N/R	N/R	N/R	N/R
42	7/8" [22.23]	5/8 [15.88] 3/4 [19.05] 7/8 [22.23] 1 [25.4] 1-1/8 [28.58]	1.00	0.99	0.99	0.98	0.98	0.98	0.98	0.98	0.98	0.97	0.97	0.97	0.96	0.96	0.96	0.95			
			1.00	1.00	1.00	1.00	1.00	1.00	1.00	1.00	1.00	1.00	1.00	1.00	1.00	1.00	1.00	1.00	0.99		
			1.00	1.00	1.00	1.00	1.00	1.00	1.00	1.00	1.00	1.00	1.00	1.00	1.00	1.00	1.00	1.00	1.00	1.00	
			N/R	N/R	N/R	N/R	N/R	N/R	N/R	N/R	N/R	N/R	N/R	N/R	N/R	N/R	N/R	N/R	N/R	N/R	
			N/R	N/R	N/R	N/R	N/R	N/R	N/R	N/R	N/R	N/R	N/R	N/R	N/R	N/R	N/R	N/R	N/R	N/R	N/R
48	7/8" [22.23]	5/8 [15.88] 3/4 [19.05] 7/8 [22.23] 1 [25.4] 1-1/8 [28.58]	1.00	0.99	0.99	0.98	0.98	0.98	0.98	0.98	0.98	0.97	0.97	0.97	0.96	0.96	0.96	0.95			
			1.00	1.00	1.00	1.00	1.00	1.00	1.00	1.00	1.00	1.00	1.00	1.00	1.00	1.00	1.00	1.00	0.99		
			1.00	1.00	1.00	1.00	1.00	1.00	1.00	1.00	1.00	1.00	1.00	1.00	1.00	1.00	1.00	1.00	1.00	1.00	
			N/R	N/R	N/R	N/R	N/R	N/R	N/R	N/R	N/R	N/R	N/R	N/R	N/R	N/R	N/R	N/R	N/R	N/R	
			N/R	N/R	N/R	N/R	N/R	N/R	N/R	N/R	N/R	N/R	N/R	N/R	N/R	N/R	N/R	N/R	N/R	N/R	N/R
60	7/8" [22.23]	5/8 [15.88] 3/4 [19.05] 7/8 [22.23] 1 [25.4] 1-1/8 [28.58]	1.00	0.99	0.99	0.98	0.98	0.98	0.98	0.98	0.98	0.97	0.97	0.97	0.96	0.96	0.96	0.95			
			1.00	1.00	1.00	1.00	1.00	1.00	1.00	1.00	1.00	1.00	1.00	1.00	1.00	1.00	1.00	1.00	0.99		
			1.00	1.00	1.00	1.00	1.00	1.00	1.00	1.00	1.00	1.00	1.00	1.00	1.00	1.00	1.00	1.00	1.00	1.00	
			N/R	N/R	N/R	N/R	N/R	N/R	N/R	N/R	N/R	N/R	N/R	N/R	N/R	N/R	N/R	N/R	N/R	N/R	
			N/R	N/R	N/R	N/R	N/R	N/R	N/R	N/R	N/R	N/R	N/R	N/R	N/R	N/R	N/R	N/R	N/R	N/R	N/R

NOTES:
 N/R = Application not recommended.
 All calculations assume a 3/8" liquid line

[] Designates Metric Conversions

Performance Data @ AHRI Standard Conditions – Cooling

High Sales Volume Tested Combination (HSVTC)								
Outdoor Unit	Indoor Coil	Total Capacity BTU/H [kW]	Net Sensible BTU/H [kW]	Net Latent BTU/H [kW]	SEER	EER	Indoor CFM [L/s]	AHRI#
RA1318AJ1	RCF2417STAM	17600 [5.2]	13100 [3.8]	4500 [1.3]	13	11	600 [283.2]	7507439
RA1324AJ1	RCF2417STAM	23600 [6.9]	17600 [5.2]	6000 [1.8]	13	11	800 [377.6]	7507649
RA1330AJ1	RCF3617STAM	28400 [8.3]	21600 [6.3]	6800 [2.0]	13	11	1000 [471.9]	7507846
RA1336AC1	RCF3617STAM	34600 [10.1]	24500 [7.2]	10100 [3.0]	13	11	1025 [483.7]	7508191
RA1336AJ1	RCF3617STAM	34600 [10.1]	24500 [7.2]	10100 [3.0]	13	11	1025 [483.7]	7508557
RA1342AC1	RCF4821STAM	40500 [11.9]	30300 [8.9]	10200 [3.0]	13	11	1400 [660.7]	7511558
RA1342AJ1	RCF4821STAM	40500 [11.9]	30300 [8.9]	10200 [3.0]	13	11	1400 [660.7]	7511792
RA1348AC1	RCF4821STAM	47500 [13.9]	34100 [10.0]	13400 [3.9]	13	11	1500 [707.9]	7508923
RA1348AJ1	RCF4821STAM	47500 [13.9]	34100 [10.0]	13400 [3.9]	13	11	1500 [707.9]	7509148
RA1360AC1	RCF6024STAM	56000 [16.4]	39600 [11.6]	16400 [4.8]	13	11	1600 [755.1]	7509314
RA1360AJ1	RCF6024STAM	56000 [16.4]	39600 [11.6]	16400 [4.8]	13	11	1600 [755.1]	7509436

[] Designates Metric Conversions

Performance Data @ AHRI Standard Conditions – Cooling (con't.)

Coil Only Ratings								
Outdoor Unit	Indoor Coil	Total Capacity BTU/H [kW]	Net Sensible BTU/H [kW]	Net Latent BTU/H [kW]	SEER	EER	Indoor CFM [L/s]	AHRI#
RA1318AJ1	RCF2414STAM+RXMD-C04	17600 [5.2]	12600 [3.7]	5000 [1.5]	13	11	600 [283.2]	7507408
	RCF2417HTAM+RXMD-C04	17500 [5.1]	12300 [3.6]	5200 [1.5]	13	11	600 [283.2]	7507423
	RCF2417MTAM+RXMD-C04	17500 [5.1]	12300 [3.6]	5200 [1.5]	13	11	600 [283.2]	7507438
	RCF2421MTAM+RXMD-C04	17500 [5.1]	12300 [3.6]	5200 [1.5]	13	11	600 [283.2]	7507491
	RCF2421HTAM+RXMD-C04	17500 [5.1]	12300 [3.6]	5200 [1.5]	13	11	600 [283.2]	7507472
RA1324AJ1	RCF2414STAM+RXMD-C04	23800 [7.0]	17100 [5.0]	6700 [2.0]	13	11	800 [377.6]	7507612
	RCF2417HTAM+RXMD-C04	23400 [6.9]	16500 [4.8]	6900 [2.0]	13	11	800 [377.6]	7507630
	RCF2417MTAM+RXMD-C04	23400 [6.9]	16500 [4.8]	6900 [2.0]	13	11	800 [377.6]	7507648
	RCF2421MTAM+RXMD-C04	23400 [6.9]	16500 [4.8]	6900 [2.0]	13	11	800 [377.6]	7507716
	RCF2421HTAM+RXMD-C04	23400 [6.9]	16500 [4.8]	6900 [2.0]	13	11	800 [377.6]	7507691
RA1330AJ1	RCF3621HTAM+RXMD-C04	30000 [8.8]	22200 [6.5]	7800 [2.3]	13.5	11.5	1000 [471.9]	8086540
	RCF3621MTAM+RXMD-C04	29800 [8.7]	21900 [6.4]	7900 [2.3]	13.5	11.5	1000 [471.9]	7507895
	RCF3621STAM+RXMD-C04	28400 [8.3]	20500 [6.0]	7900 [2.3]	13	11	1000 [471.9]	7507926
	RCF3624HTAM+RXMD-C04	30000 [8.8]	21800 [6.4]	8200 [2.4]	13.5	11.5	1000 [471.9]	7507950
	RCF3624MTAM+RXMD-C04	29800 [8.7]	21900 [6.4]	7900 [2.3]	13.5	11.5	1000 [471.9]	7507973
RA1336AC1	RCF3621HTAM+RXMD-C04	36000 [10.6]	25400 [7.4]	10600 [3.1]	13.5	11.5	1200 [566.3]	8086568
	RCF3621MTAM+RXMD-C04	36000 [10.6]	24300 [7.1]	11700 [3.4]	13.5	11.5	1025 [483.7]	7508240
	RCF3621STAM+RXMD-C04	34400 [10.1]	23100 [6.8]	11300 [3.3]	13	11	1025 [483.7]	7508271
	RCF3624HTAM+RXMD-C04	36000 [10.6]	24200 [7.1]	11800 [3.5]	13.5	11.5	1025 [483.7]	7508298
	RCF3624MTAM+RXMD-C04	36000 [10.6]	24300 [7.1]	11700 [3.4]	13.5	11.5	1025 [483.7]	7508325
RA1336AJ1	RCF3621HTAM+RXMD-C04	36000 [10.6]	25400 [7.4]	10600 [3.1]	13.5	11.5	1200 [566.3]	8086596
	RCF3621MTAM+RXMD-C04	36000 [10.6]	24300 [7.1]	11700 [3.4]	13.5	11.5	1025 [483.7]	7508606
	RCF3621STAM+RXMD-C04	34400 [10.1]	23100 [6.8]	11300 [3.3]	13	11	1025 [483.7]	7508637
	RCF3624HTAM+RXMD-C04	36000 [10.6]	24200 [7.1]	11800 [3.5]	13.5	11.5	1025 [483.7]	7508664
	RCF3624MTAM+RXMD-C04	36000 [10.6]	24300 [7.1]	11700 [3.4]	13.5	11.5	1025 [483.7]	7508691
RA1342AC1	RCF4821MTAM+RXMD-C04	41000 [12.0]	29200 [8.6]	11800 [3.5]	13	11	1400 [660.7]	8086652
	RCF4824HTAM+RXMD-C04	41500 [12.2]	29400 [8.6]	12100 [3.5]	13	11.5	1400 [660.7]	7511616
	RCF4824STAM+RXMD-C04	40000 [11.7]	28000 [8.2]	12000 [3.5]	13	11	1375 [648.9]	7511643
RA1342AJ1	RCF4821MTAM+RXMD-C04	41000 [12.0]	29200 [8.6]	11800 [3.5]	13	11	1400 [660.7]	8086708
	RCF4824HTAM+RXMD-C04	41500 [12.2]	29400 [8.6]	12100 [3.5]	13	11.5	1400 [660.7]	7511850
	RCF4824STAM+RXMD-C04	40000 [11.7]	28000 [8.2]	12000 [3.5]	13	11	1375 [648.9]	7511877
RA1348AC1	RCF4821MTAM+RXMD-C04	48000 [14.1]	34400 [10.1]	13600 [4.0]	13	11	1550 [731.5]	8086744
	RCF4824HTAM+RXMD-C04	48000 [14.1]	32700 [9.6]	15300 [4.5]	13	11.5	1500 [707.9]	7508968
	RCF4824STAM+RXMD-C04	47500 [13.9]	34100 [10.0]	13400 [3.9]	13	11	1500 [707.9]	7509019
RA1348AJ1	RCF4821MTAM+RXMD-C04	48000 [14.1]	34400 [10.1]	13600 [4.0]	13	11	1550 [731.5]	8086780
	RCF4824HTAM+RXMD-C04	48000 [14.1]	32700 [9.6]	15300 [4.5]	13	11.5	1500 [707.9]	7509188
	RCF4824STAM+RXMD-C04	47500 [13.9]	34100 [10.0]	13400 [3.9]	13	11	1500 [707.9]	7509210
RA1360AC1	RCF6024HTAM+RXMD-C04	56000 [16.4]	39600 [11.6]	16400 [4.8]	13	11	1600 [755.1]	7509313
RA1360AJ1	RCF6024HTAM+RXMD-C04	56000 [16.4]	39600 [11.6]	16400 [4.8]	13	11	1600 [755.1]	7509435

[] Designates Metric Conversions

Performance Data @ AHRI Standard Conditions – Cooling (con't.)

R801T: Classic Plus Single-Stage X-13 80% Furnace Rating									
Outdoor Unit	Furnace	Indoor Coil	Total Capacity BTU/H [kW]	Net Sensible BTU/H [kW]	Net Latent BTU/H [kW]	SEER	EER	Indoor CFM [L/s]	AHRI#
RA1318AJ1	R801TA050314MSA	RCF2414STAM	18000 [5.3]	13000 [3.8]	5000 [1.5]	14.5	12	625 [295.0]	7507407
		RCF2417HTAM	18000 [5.3]	12800 [3.8]	5200 [1.5]	14.5	12	625 [295.0]	7507409
		RCF2417MTAM	18000 [5.3]	12800 [3.8]	5200 [1.5]	14.5	12	625 [295.0]	7507424
		RCF2417STAM	18000 [5.3]	13500 [4.0]	4500 [1.3]	14.5	12	625 [295.0]	7507440
RA1318AJ1	R801TA050314MXA	RCF2414STAM	18000 [5.3]	13000 [3.8]	5000 [1.5]	14.5	12	625 [295.0]	8050154
		RCF2417HTAM	18000 [5.3]	12800 [3.8]	5200 [1.5]	14.5	12	625 [295.0]	8050155
		RCF2417MTAM	18000 [5.3]	12800 [3.8]	5200 [1.5]	14.5	12	625 [295.0]	8050162
		RCF2417STAM	18000 [5.3]	13500 [4.0]	4500 [1.3]	14.5	12	625 [295.0]	8050169
RA1318AJ1	R801TA075317ZSA	RCF2417HTAM	18000 [5.3]	12900 [3.8]	5100 [1.5]	14.5	12	650 [306.8]	7507410
		RCF2417MTAM	18000 [5.3]	12900 [3.8]	5100 [1.5]	14.5	12	650 [306.8]	7507425
		RCF2417STAM	18000 [5.3]	13600 [4.0]	4400 [1.3]	14.5	12	650 [306.8]	7507441
		RCF2421MTAM	18000 [5.3]	12900 [3.8]	5100 [1.5]	14.5	12	650 [306.8]	7507473
RA1318AJ1	R801TA075317ZXA	RCF2417HTAM	18000 [5.3]	12900 [3.8]	5100 [1.5]	14.5	12	650 [306.8]	8050156
		RCF2417MTAM	18000 [5.3]	12900 [3.8]	5100 [1.5]	14.5	12	650 [306.8]	8050163
		RCF2417STAM	18000 [5.3]	13600 [4.0]	4400 [1.3]	14.5	12	650 [306.8]	8050170
		RCF2421MTAM	18000 [5.3]	12900 [3.8]	5100 [1.5]	14.5	12	650 [306.8]	8050183
RA1318AJ1	R801TA075317ZSA	RCF2421HTAM	18000 [5.3]	12900 [3.8]	5100 [1.5]	14.5	12	650 [306.8]	7507454
RA1318AJ1	R801TA075317ZXA	RCF2421HTAM	18000 [5.3]	12900 [3.8]	5100 [1.5]	14.5	12	650 [306.8]	8050176
RA1324AJ1	R801TA050314MSA	RCF2414STAM	24000 [7.0]	17300 [5.1]	6700 [2.0]	14.5	12	800 [377.6]	7507611
		RCF2417HTAM	24000 [7.0]	17300 [5.1]	6700 [2.0]	14.5	12	875 [413.0]	7507613
		RCF2417MTAM	24000 [7.0]	17300 [5.1]	6700 [2.0]	14.5	12	850 [401.2]	7507631
		RCF2417STAM	24000 [7.0]	18100 [5.3]	5900 [1.7]	14	11.5	825 [389.4]	7507650
RA1324AJ1	R801TA050314MXA	RCF2414STAM	24000 [7.0]	17300 [5.1]	6700 [2.0]	14.5	12	800 [377.6]	8050231
		RCF2417HTAM	24000 [7.0]	17300 [5.1]	6700 [2.0]	14.5	12	875 [413.0]	8050232
		RCF2417MTAM	24000 [7.0]	17300 [5.1]	6700 [2.0]	14.5	12	850 [401.2]	8050239
		RCF2417STAM	24000 [7.0]	18100 [5.3]	5900 [1.7]	14	11.5	825 [389.4]	8050246
RA1324AJ1	R801TA075317ZSA	RCF2417HTAM	24000 [7.0]	17300 [5.1]	6700 [2.0]	14	11.5	875 [413.0]	7507614
		RCF2417MTAM	24000 [7.0]	17300 [5.1]	6700 [2.0]	14	11.5	875 [413.0]	7507632
		RCF2417STAM	24000 [7.0]	18200 [5.3]	5800 [1.7]	14	11.5	850 [401.2]	7507651
		RCF2421MTAM	24000 [7.0]	17300 [5.1]	6700 [2.0]	14	11.5	875 [413.0]	7507692
RA1324AJ1	R801TA075317ZXA	RCF2417HTAM	24000 [7.0]	17300 [5.1]	6700 [2.0]	14	11.5	875 [413.0]	8050233
		RCF2417MTAM	24000 [7.0]	17300 [5.1]	6700 [2.0]	14	11.5	875 [413.0]	8050240
		RCF2417STAM	24000 [7.0]	18200 [5.3]	5800 [1.7]	14	11.5	850 [401.2]	8050247
		RCF2421MTAM	24000 [7.0]	17300 [5.1]	6700 [2.0]	14	11.5	875 [413.0]	8050263
RA1324AJ1	R801TA075317ZSA	RCF2421HTAM	24000 [7.0]	17300 [5.1]	6700 [2.0]	14	11.5	875 [413.0]	7507667
RA1324AJ1	R801TA075317ZXA	RCF2421HTAM	24000 [7.0]	17300 [5.1]	6700 [2.0]	14	11.5	875 [413.0]	8050254
RA1330AJ1	R801TA050314MSA	RCF3617STAM	28800 [8.4]	22000 [6.4]	6800 [2.0]	14	11.5	1000 [471.9]	7507847
RA1330AJ1	R801TA050314MXA	RCF3617STAM	28800 [8.4]	22000 [6.4]	6800 [2.0]	14	11.5	1000 [471.9]	8050313
RA1330AJ1	R801TA075317ZSA	RCF3617STAM	28400 [8.3]	21200 [6.2]	7200 [2.1]	14	11.5	875 [413.0]	7507848
		RCF3621MTAM	30000 [8.8]	22400 [6.6]	7600 [2.2]	14.5	12	1075 [507.3]	7507865
		RCF3621STAM	28400 [8.3]	21200 [6.2]	7200 [2.1]	14	11.5	875 [413.0]	7507896
RA1330AJ1	R801TA075317ZXA	RCF3617STAM	28400 [8.3]	21200 [6.2]	7200 [2.1]	14	11.5	875 [413.0]	8050314
		RCF3621MTAM	30000 [8.8]	22400 [6.6]	7600 [2.2]	14.5	12	1075 [507.3]	8050320
		RCF3621STAM	28400 [8.3]	21200 [6.2]	7200 [2.1]	14	11.5	875 [413.0]	8050334
RA1330AJ1	R801TA075417MSA	RCF3617STAM	29000 [8.5]	22200 [6.5]	6800 [2.0]	14	11.5	1000 [471.9]	7507849
		RCF3621MTAM	30000 [8.8]	22300 [6.5]	7700 [2.3]	14.5	12	1050 [495.5]	7507866
		RCF3621STAM	29200 [8.6]	22500 [6.6]	6700 [2.0]	14	11.5	1025 [483.7]	7507897

[] Designates Metric Conversions



Performance Data @ AHRI Standard Conditions – Cooling (con't.)

R801T: Classic Plus Single-Stage X-13 80% Furnace Ratings									
Outdoor Unit	Furnace	Indoor Coil	Total Capacity BTU/H [kW]	Net Sensible BTU/H [kW]	Net Latent BTU/H [kW]	SEER	EER	Indoor CFM [L/s]	AHRI#
RA1330AJ1	R801TA075417MXA	RCF3617STAM	29000 [8.5]	22200 [6.5]	6800 [2.0]	14	11.5	1000 [471.9]	8050315
		RCF3621MTAM	30000 [8.8]	22300 [6.5]	7700 [2.3]	14.5	12	1050 [495.5]	8050321
		RCF3621STAM	29200 [8.6]	22500 [6.6]	6700 [2.0]	14	11.5	1025 [483.7]	8050335
RA1330AJ1	R801TA075421MSA	RCF3621HTAM	30000 [8.8]	22900 [6.7]	7100 [2.1]	15.1	12.5	1050 [495.5]	8086516
		RCF3621MTAM	30000 [8.8]	22900 [6.7]	7100 [2.1]	14.5	12	1025 [483.7]	8049010
		RCF3621STAM	29200 [8.6]	22500 [6.6]	6700 [2.0]	14	11.5	1025 [483.7]	8049014
		RCF3624MTAM	30000 [8.8]	22900 [6.7]	7100 [2.1]	14.5	12	1025 [483.7]	8049018
RA1330AJ1	R801TA075421MXA	RCF3621HTAM	30000 [8.8]	22900 [6.7]	7100 [2.1]	15.1	12.5	1050 [495.5]	8086517
		RCF3621MTAM	30000 [8.8]	22900 [6.7]	7100 [2.1]	14.5	12	1025 [483.7]	8050322
		RCF3621STAM	29200 [8.6]	22500 [6.6]	6700 [2.0]	14	11.5	1025 [483.7]	8050336
		RCF3624MTAM	30000 [8.8]	22900 [6.7]	7100 [2.1]	14.5	12	1025 [483.7]	8050357
RA1330AJ1	R801TA075521ZSA	RCF3621MTAM	30000 [8.8]	22100 [6.5]	7900 [2.3]	15	12.5	1000 [471.9]	7507867
		RCF3621STAM	29000 [8.5]	22100 [6.5]	6900 [2.0]	14	11.5	975 [460.1]	7507898
		RCF3624HTAM	30000 [8.8]	21800 [6.4]	8200 [2.4]	15.5	13	1025 [483.7]	7507927
		RCF3624MTAM	30000 [8.8]	22100 [6.5]	7900 [2.3]	15	12.5	1000 [471.9]	7507951
RA1330AJ1	R801TA075521ZXA	RCF3621MTAM	30000 [8.8]	22100 [6.5]	7900 [2.3]	15	12.5	1000 [471.9]	8050323
		RCF3621STAM	29000 [8.5]	22100 [6.5]	6900 [2.0]	14	11.5	975 [460.1]	8050337
		RCF3624HTAM	30000 [8.8]	21800 [6.4]	8200 [2.4]	15.5	13	1025 [483.7]	8050348
		RCF3624MTAM	30000 [8.8]	22100 [6.5]	7900 [2.3]	15	12.5	1000 [471.9]	8050358
RA1330AJ1	R801TA100521MSA	RCF3621HTAM	30000 [8.8]	22900 [6.7]	7100 [2.1]	15.5	13	1075 [507.3]	8086518
		RCF3621MTAM	30000 [8.8]	22300 [6.5]	7700 [2.3]	15.1	12.5	1050 [495.5]	7507868
		RCF3621STAM	29000 [8.5]	22200 [6.5]	6800 [2.0]	14	11.5	1000 [471.9]	7507899
		RCF3624HTAM	30000 [8.8]	22200 [6.5]	7800 [2.3]	15.5	13	1100 [519.1]	7507928
		RCF3624MTAM	30000 [8.8]	22300 [6.5]	7700 [2.3]	15.1	12.5	1050 [495.5]	7507952
RA1330AJ1	R801TA100521MXA	RCF3621MTAM	30000 [8.8]	22300 [6.5]	7700 [2.3]	15.1	12.5	1050 [495.5]	8050324
		RCF3621STAM	29000 [8.5]	22200 [6.5]	6800 [2.0]	14	11.5	1000 [471.9]	8050338
		RCF3624HTAM	30000 [8.8]	22200 [6.5]	7800 [2.3]	15.5	13	1100 [519.1]	8050349
		RCF3624MTAM	30000 [8.8]	22300 [6.5]	7700 [2.3]	15.1	12.5	1050 [495.5]	8050359
RA1330AJ1	R801TA100521ZSA	RCF3621MTAM	30000 [8.8]	22000 [6.4]	8000 [2.3]	15.1	12.5	975 [460.1]	7507869
		RCF3621STAM	29000 [8.5]	22100 [6.5]	6900 [2.0]	14	11.5	975 [460.1]	7507900
		RCF3624HTAM	30000 [8.8]	21800 [6.4]	8200 [2.4]	15.5	13	1025 [483.7]	7507929
		RCF3624MTAM	30000 [8.8]	22000 [6.4]	8000 [2.3]	15.1	12.5	975 [460.1]	7507953
RA1330AJ1	R801TA100521ZXA	RCF3621MTAM	30000 [8.8]	22000 [6.4]	8000 [2.3]	15.1	12.5	975 [460.1]	8050325
		RCF3621STAM	29000 [8.5]	22100 [6.5]	6900 [2.0]	14	11.5	975 [460.1]	8050339
		RCF3624HTAM	30000 [8.8]	21800 [6.4]	8200 [2.4]	15.5	13	1025 [483.7]	8050350
		RCF3624MTAM	30000 [8.8]	22000 [6.4]	8000 [2.3]	15.1	12.5	975 [460.1]	8050360
RA1330AJ1	R801TA125524ZSA	RCF3624HTAM	30000 [8.8]	21700 [6.4]	8300 [2.4]	15.5	13	975 [460.1]	7507930
		RCF3624MTAM	30000 [8.8]	21800 [6.4]	8200 [2.4]	15	12.5	925 [436.6]	7507954
RA1330AJ1	R801TA125524ZXA	RCF3624HTAM	30000 [8.8]	21700 [6.4]	8300 [2.4]	15.5	13	975 [460.1]	8050351
		RCF3624MTAM	30000 [8.8]	21800 [6.4]	8200 [2.4]	15	12.5	925 [436.6]	8050361
RA1336AC1	R801TA050314MSA	RCF3617STAM	35000 [10.3]	24700 [7.2]	10300 [3.0]	13.5	11.5	1000 [471.9]	7508192
RA1336AC1	R801TA050314MXA	RCF3617STAM	35000 [10.3]	24700 [7.2]	10300 [3.0]	13.5	11.5	1000 [471.9]	8050439
RA1336AC1	R801TA075317ZSA	RCF3617STAM	35000 [10.3]	25000 [7.3]	10000 [2.9]	13.5	11.5	1050 [495.5]	7508193
		RCF3621MTAM	36000 [10.6]	25300 [7.4]	10700 [3.1]	14	11.5	1250 [589.9]	7508210
		RCF3621STAM	35000 [10.3]	25000 [7.3]	10000 [2.9]	13.5	11.5	1050 [495.5]	7508241
RA1336AC1	R801TA075317ZXA	RCF3617STAM	35000 [10.3]	25000 [7.3]	10000 [2.9]	13.5	11.5	1050 [495.5]	8050440
		RCF3621MTAM	36000 [10.6]	25300 [7.4]	10700 [3.1]	14	11.5	1250 [589.9]	8050447
		RCF3621STAM	35000 [10.3]	25000 [7.3]	10000 [2.9]	13.5	11.5	1050 [495.5]	8050463

[] Designates Metric Conversions

Performance Data @ AHRI Standard Conditions – Cooling (con't.)

R801T: Classic Plus Single-Stage X-13 80% Furnace Ratings									
Outdoor Unit	Furnace	Indoor Coil	Total Capacity BTU/H [kW]	Net Sensible BTU/H [kW]	Net Latent BTU/H [kW]	SEER	EER	Indoor CFM [L/s]	AHRI#
RA1336AC1	R801TA075417MSA	RCF3617STAM	36000 [10.6]	26800 [7.9]	9200 [2.7]	13.5	11.5	1225 [578.1]	7508194
		RCF3621HTAM	36000 [10.6]	25400 [7.4]	10600 [3.1]	15	12.5	1050 [495.5]	8086543
		RCF3621MTAM	36000 [10.6]	25100 [7.4]	10900 [3.2]	14.5	12	1200 [566.3]	7508211
		RCF3621STAM	36000 [10.6]	26900 [7.9]	9100 [2.7]	13.5	11.5	1250 [589.9]	7508242
RA1336AC1	R801TA075417MXA	RCF3617STAM	36000 [10.6]	26800 [7.9]	9200 [2.7]	13.5	11.5	1225 [578.1]	8050441
		RCF3621MTAM	36000 [10.6]	25100 [7.4]	10900 [3.2]	14.5	12	1200 [566.3]	8050448
		RCF3621STAM	36000 [10.6]	26900 [7.9]	9100 [2.7]	13.5	11.5	1250 [589.9]	8050464
RA1336AC1	R801TA075421MSA	RCF3621HTAM	36000 [10.6]	25400 [7.4]	10600 [3.1]	15	12.5	1050 [495.5]	8086544
		RCF3621MTAM	36000 [10.6]	25400 [7.4]	10600 [3.1]	14.5	12	1225 [578.1]	8049042
		RCF3621STAM	35000 [10.3]	24700 [7.2]	10300 [3.0]	14	11.5	1000 [471.9]	8049046
		RCF3624HTAM	36000 [10.6]	25400 [7.4]	10600 [3.1]	15.1	12.5	1225 [578.1]	8049050
		RCF3624MTAM	36000 [10.6]	25400 [7.4]	10600 [3.1]	14.5	12	1225 [578.1]	8049052
RA1336AC1	R801TA075421MXA	RCF3621HTAM	36000 [10.6]	25400 [7.4]	10600 [3.1]	15	12.5	1050 [495.5]	8086545
		RCF3621MTAM	36000 [10.6]	25400 [7.4]	10600 [3.1]	14.5	12	1225 [578.1]	8050449
		RCF3621STAM	35000 [10.3]	24700 [7.2]	10300 [3.0]	14	11.5	1000 [471.9]	8050465
		RCF3624HTAM	36000 [10.6]	25400 [7.4]	10600 [3.1]	15.1	12.5	1225 [578.1]	8050479
		RCF3624MTAM	36000 [10.6]	25400 [7.4]	10600 [3.1]	14.5	12	1225 [578.1]	8050492
RA1336AC1	R801TA075521ZSA	RCF3621MTAM	36000 [10.6]	24100 [7.1]	11900 [3.5]	14.5	12	1000 [471.9]	7508212
		RCF3621STAM	35800 [10.5]	26300 [7.7]	9500 [2.8]	13.5	11.5	1175 [554.5]	7508243
		RCF3624HTAM	36000 [10.6]	24200 [7.1]	11800 [3.5]	15.1	12.5	1025 [483.7]	7508272
		RCF3624MTAM	36000 [10.6]	24100 [7.1]	11900 [3.5]	14.5	12	1000 [471.9]	7508299
RA1336AC1	R801TA075521ZXA	RCF3621MTAM	36000 [10.6]	24100 [7.1]	11900 [3.5]	14.5	12	1000 [471.9]	8050450
		RCF3621STAM	35800 [10.5]	26300 [7.7]	9500 [2.8]	13.5	11.5	1175 [554.5]	8050466
		RCF3624HTAM	36000 [10.6]	24200 [7.1]	11800 [3.5]	15.1	12.5	1025 [483.7]	8050480
		RCF3624MTAM	36000 [10.6]	24100 [7.1]	11900 [3.5]	14.5	12	1000 [471.9]	8050493
RA1336AC1	R801TA100521MSA	RCF3621HTAM	36000 [10.6]	25400 [7.4]	10600 [3.1]	15.1	12.5	1075 [507.3]	8086546
		RCF3621MTAM	36000 [10.6]	24300 [7.1]	11700 [3.4]	14.5	12	1050 [495.5]	7508213
		RCF3621STAM	35200 [10.3]	24900 [7.3]	10300 [3.0]	14	11.5	1000 [471.9]	7508244
		RCF3624HTAM	36000 [10.6]	24500 [7.2]	11500 [3.4]	15.1	12.5	1100 [519.1]	7508273
		RCF3624MTAM	36000 [10.6]	24300 [7.1]	11700 [3.4]	14.5	12	1050 [495.5]	7508300
RA1336AC1	R801TA100521MXA	RCF3621MTAM	36000 [10.6]	24300 [7.1]	11700 [3.4]	14.5	12	1050 [495.5]	8050451
		RCF3621STAM	35200 [10.3]	24900 [7.3]	10300 [3.0]	14	11.5	1000 [471.9]	8050467
		RCF3624HTAM	36000 [10.6]	24500 [7.2]	11500 [3.4]	15.1	12.5	1100 [519.1]	8050481
		RCF3624MTAM	36000 [10.6]	24300 [7.1]	11700 [3.4]	14.5	12	1050 [495.5]	8050494
RA1336AC1	R801TA100521ZSA	RCF3621MTAM	36000 [10.6]	25200 [7.4]	10800 [3.2]	14.5	12	1225 [578.1]	7508214
		RCF3621STAM	35800 [10.5]	26300 [7.7]	9500 [2.8]	13.5	11.5	1175 [554.5]	7508245
		RCF3624HTAM	36000 [10.6]	24200 [7.1]	11800 [3.5]	15.1	12.5	1025 [483.7]	7508274
		RCF3624MTAM	36000 [10.6]	25200 [7.4]	10800 [3.2]	14.5	12	1225 [578.1]	7508301
RA1336AC1	R801TA100521ZXA	RCF3621MTAM	36000 [10.6]	25200 [7.4]	10800 [3.2]	14.5	12	1225 [578.1]	8050452
		RCF3621STAM	35800 [10.5]	26300 [7.7]	9500 [2.8]	13.5	11.5	1175 [554.5]	8050468
		RCF3624HTAM	36000 [10.6]	24200 [7.1]	11800 [3.5]	15.1	12.5	1025 [483.7]	8050482
		RCF3624MTAM	36000 [10.6]	25200 [7.4]	10800 [3.2]	14.5	12	1225 [578.1]	8050495
RA1336AC1	R801TA125524MSA	RCF3624HTAM	36000 [10.6]	25000 [7.3]	11000 [3.2]	15.1	12.5	1200 [566.3]	7508275
		RCF3624MTAM	36000 [10.6]	24900 [7.3]	11100 [3.3]	14.5	12	1175 [554.5]	7508302
RA1336AC1	R801TA125524MXA	RCF3624HTAM	36000 [10.6]	25000 [7.3]	11000 [3.2]	15.1	12.5	1200 [566.3]	8050483
		RCF3624MTAM	36000 [10.6]	24900 [7.3]	11100 [3.3]	14.5	12	1175 [554.5]	8050496
RA1336AC1	R801TA125524ZSA	RCF3624HTAM	36000 [10.6]	24800 [7.3]	11200 [3.3]	15.1	12.5	1150 [542.7]	7508276
		RCF3624MTAM	36000 [10.6]	24600 [7.2]	11400 [3.3]	14.5	12	1100 [519.1]	7508303

[] Designates Metric Conversions



Performance Data @ AHRI Standard Conditions – Cooling (con't.)

R801T: Classic Plus Single-Stage X-13 80% Furnace Ratings									
Outdoor Unit	Furnace	Indoor Coil	Total Capacity BTU/H [kW]	Net Sensible BTU/H [kW]	Net Latent BTU/H [kW]	SEER	EER	Indoor CFM [L/s]	AHRI#
RA1336AC1	R801TA125524ZXA	RCF3624HTAM	36000 [10.6]	24800 [7.3]	11200 [3.3]	15.1	12.5	1150 [542.7]	8050484
		RCF3624MTAM	36000 [10.6]	24600 [7.2]	11400 [3.3]	14.5	12	1100 [519.1]	8050497
RA1336AJ1	R801TA050314MSA	RCF3617STAM	35000 [10.3]	24700 [7.2]	10300 [3.0]	13.5	11.5	1000 [471.9]	7508558
RA1336AJ1	R801TA050314MXA	RCF3617STAM	35000 [10.3]	24700 [7.2]	10300 [3.0]	13.5	11.5	1000 [471.9]	8050584
RA1336AJ1	R801TA075317ZSA	RCF3617STAM	35000 [10.3]	25000 [7.3]	10000 [2.9]	13.5	11.5	1050 [495.5]	7508559
		RCF3621MTAM	36000 [10.6]	25300 [7.4]	10700 [3.1]	14	11.5	1250 [589.9]	7508576
		RCF3621STAM	35000 [10.3]	25000 [7.3]	10000 [2.9]	13.5	11.5	1050 [495.5]	7508607
RA1336AJ1	R801TA075317ZXA	RCF3617STAM	35000 [10.3]	25000 [7.3]	10000 [2.9]	13.5	11.5	1050 [495.5]	8050585
		RCF3621MTAM	36000 [10.6]	25300 [7.4]	10700 [3.1]	14	11.5	1250 [589.9]	8050592
		RCF3621STAM	35000 [10.3]	25000 [7.3]	10000 [2.9]	13.5	11.5	1050 [495.5]	8050608
RA1336AJ1	R801TA075417MSA	RCF3617STAM	36000 [10.6]	26800 [7.9]	9200 [2.7]	13.5	11.5	1225 [578.1]	7508560
		RCF3621HTAM	36000 [10.6]	25400 [7.4]	10600 [3.1]	15	12.5	1050 [495.5]	8086571
		RCF3621MTAM	36000 [10.6]	25100 [7.4]	10900 [3.2]	14.5	12	1200 [566.3]	7508577
		RCF3621STAM	36000 [10.6]	26900 [7.9]	9100 [2.7]	13.5	11.5	1250 [589.9]	7508608
RA1336AJ1	R801TA075417MXA	RCF3617STAM	36000 [10.6]	26800 [7.9]	9200 [2.7]	13.5	11.5	1225 [578.1]	8050586
		RCF3621MTAM	36000 [10.6]	25100 [7.4]	10900 [3.2]	14.5	12	1200 [566.3]	8050593
		RCF3621STAM	36000 [10.6]	26900 [7.9]	9100 [2.7]	13.5	11.5	1250 [589.9]	8050609
RA1336AJ1	R801TA075421MSA	RCF3621HTAM	36000 [10.6]	25400 [7.4]	10600 [3.1]	15	12.5	1050 [495.5]	8086572
		RCF3621MTAM	36000 [10.6]	25400 [7.4]	10600 [3.1]	14.5	12	1225 [578.1]	8049076
		RCF3621STAM	35000 [10.3]	24700 [7.2]	10300 [3.0]	14	11.5	1000 [471.9]	8049080
		RCF3624HTAM	36000 [10.6]	25400 [7.4]	10600 [3.1]	15.1	12.5	1225 [578.1]	8049084
		RCF3624MTAM	36000 [10.6]	25400 [7.4]	10600 [3.1]	14.5	12	1225 [578.1]	8049086
RA1336AJ1	R801TA075421MXA	RCF3621HTAM	36000 [10.6]	25400 [7.4]	10600 [3.1]	15	12.5	1050 [495.5]	8086573
		RCF3621MTAM	36000 [10.6]	25400 [7.4]	10600 [3.1]	14.5	12	1225 [578.1]	8050594
		RCF3621STAM	35000 [10.3]	24700 [7.2]	10300 [3.0]	14	11.5	1000 [471.9]	8050610
		RCF3624HTAM	36000 [10.6]	25400 [7.4]	10600 [3.1]	15.1	12.5	1225 [578.1]	8050625
		RCF3624MTAM	36000 [10.6]	25400 [7.4]	10600 [3.1]	14.5	12	1225 [578.1]	8050654
RA1336AJ1	R801TA075521ZSA	RCF3621MTAM	36000 [10.6]	24100 [7.1]	11900 [3.5]	14.5	12	1000 [471.9]	7508578
		RCF3621STAM	35800 [10.5]	26300 [7.7]	9500 [2.8]	13.5	11.5	1175 [554.5]	7508609
		RCF3624HTAM	36000 [10.6]	24200 [7.1]	11800 [3.5]	15.1	12.5	1025 [483.7]	7508638
		RCF3624MTAM	36000 [10.6]	24100 [7.1]	11900 [3.5]	14.5	12	1000 [471.9]	7508665
RA1336AJ1	R801TA075521ZXA	RCF3621MTAM	36000 [10.6]	24100 [7.1]	11900 [3.5]	14.5	12	1000 [471.9]	8050595
		RCF3621STAM	35800 [10.5]	26300 [7.7]	9500 [2.8]	13.5	11.5	1175 [554.5]	8050611
		RCF3624HTAM	36000 [10.6]	24200 [7.1]	11800 [3.5]	15.1	12.5	1025 [483.7]	8050626
		RCF3624MTAM	36000 [10.6]	24100 [7.1]	11900 [3.5]	14.5	12	1000 [471.9]	8050656
RA1336AJ1	R801TA100521MSA	RCF3621HTAM	36000 [10.6]	25400 [7.4]	10600 [3.1]	15.1	12.5	1075 [507.3]	8086574
		RCF3621MTAM	36000 [10.6]	24300 [7.1]	11700 [3.4]	14.5	12	1050 [495.5]	7508579
		RCF3621STAM	35200 [10.3]	24900 [7.3]	10300 [3.0]	14	11.5	1000 [471.9]	7508610
		RCF3624HTAM	36000 [10.6]	24500 [7.2]	11500 [3.4]	15.1	12.5	1100 [519.1]	7508639
		RCF3624MTAM	36000 [10.6]	24300 [7.1]	11700 [3.4]	14.5	12	1050 [495.5]	7508666
RA1336AJ1	R801TA100521MXA	RCF3621MTAM	36000 [10.6]	24300 [7.1]	11700 [3.4]	14.5	12	1050 [495.5]	8050596
		RCF3621STAM	35200 [10.3]	24900 [7.3]	10300 [3.0]	14	11.5	1000 [471.9]	8050612
		RCF3624HTAM	36000 [10.6]	24500 [7.2]	11500 [3.4]	15.1	12.5	1100 [519.1]	8050627
		RCF3624MTAM	36000 [10.6]	24300 [7.1]	11700 [3.4]	14.5	12	1050 [495.5]	8050659
RA1336AJ1	R801TA100521ZSA	RCF3621MTAM	36000 [10.6]	25200 [7.4]	10800 [3.2]	14.5	12	1225 [578.1]	7508580
		RCF3621STAM	35800 [10.5]	26300 [7.7]	9500 [2.8]	13.5	11.5	1175 [554.5]	7508611
		RCF3624HTAM	36000 [10.6]	24200 [7.1]	11800 [3.5]	15.1	12.5	1025 [483.7]	7508640
		RCF3624MTAM	36000 [10.6]	25200 [7.4]	10800 [3.2]	14.5	12	1225 [578.1]	7508667

[] Designates Metric Conversions

Performance Data @ AHRI Standard Conditions – Cooling (con't.)

R801T: Classic Plus Single-Stage X-13 80% Furnace Ratings									
Outdoor Unit	Furnace	Indoor Coil	Total Capacity BTU/H [kW]	Net Sensible BTU/H [kW]	Net Latent BTU/H [kW]	SEER	EER	Indoor CFM [L/s]	AHRI#
RA1336AJ1	R801TA100521ZXA	RCF3621MTAM	36000 [10.6]	25200 [7.4]	10800 [3.2]	14.5	12	1225 [578.1]	8050597
		RCF3621STAM	35800 [10.5]	26300 [7.7]	9500 [2.8]	13.5	11.5	1175 [554.5]	8050614
		RCF3624HTAM	36000 [10.6]	24200 [7.1]	11800 [3.5]	15.1	12.5	1025 [483.7]	8050628
		RCF3624MTAM	36000 [10.6]	25200 [7.4]	10800 [3.2]	14.5	12	1225 [578.1]	8050661
RA1336AJ1	R801TA125524MSA	RCF3624HTAM	36000 [10.6]	25000 [7.3]	11000 [3.2]	15.1	12.5	1200 [566.3]	7508641
		RCF3624MTAM	36000 [10.6]	24900 [7.3]	11100 [3.3]	14.5	12	1175 [554.5]	7508668
RA1336AJ1	R801TA125524MXA	RCF3624HTAM	36000 [10.6]	25000 [7.3]	11000 [3.2]	15.1	12.5	1200 [566.3]	8050629
		RCF3624MTAM	36000 [10.6]	24900 [7.3]	11100 [3.3]	14.5	12	1175 [554.5]	8050663
RA1336AJ1	R801TA125524ZSA	RCF3624HTAM	36000 [10.6]	24800 [7.3]	11200 [3.3]	15.1	12.5	1150 [542.7]	7508642
		RCF3624MTAM	36000 [10.6]	24600 [7.2]	11400 [3.3]	14.5	12	1100 [519.1]	7508669
RA1336AJ1	R801TA125524ZXA	RCF3624HTAM	36000 [10.6]	24800 [7.3]	11200 [3.3]	15.1	12.5	1150 [542.7]	8050631
		RCF3624MTAM	36000 [10.6]	24600 [7.2]	11400 [3.3]	14.5	12	1100 [519.1]	8050666
RA1342AC1	R801TA075317ZSA	RCF4821MTAM	40500 [11.9]	27900 [8.2]	12600 [3.7]	13.5	11.5	1250 [589.9]	8086599
		RCF4821STAM	40000 [11.7]	29000 [8.5]	11000 [3.2]	13.5	11.5	1250 [589.9]	7511559
RA1342AC1	R801TA075317ZXA	RCF4821STAM	40000 [11.7]	29000 [8.5]	11000 [3.2]	13.5	11.5	1250 [589.9]	8050895
RA1342AC1	R801TA075417MSA	RCF4821MTAM	41000 [12.0]	28700 [8.4]	12300 [3.6]	14	11.5	1300 [613.5]	8086600
		RCF4821STAM	40000 [11.7]	29100 [8.5]	10900 [3.2]	13.5	11.5	1275 [601.7]	7511560
RA1342AC1	R801TA075417MXA	RCF4821STAM	40000 [11.7]	29100 [8.5]	10900 [3.2]	13.5	11.5	1275 [601.7]	8050898
RA1342AC1	R801TA075421MSA	RCF4821MTAM	41000 [12.0]	28400 [8.3]	12600 [3.7]	14	11.5	1250 [589.9]	8086601
		RCF4821STAM	40500 [11.9]	30300 [8.9]	10200 [3.0]	13.5	11.5	1400 [660.7]	8049108
		RCF4824HTAM	42000 [12.3]	31400 [9.2]	10600 [3.1]	14	11.5	1450 [684.3]	8049114
		RCF4824STAM	40500 [11.9]	30300 [8.9]	10200 [3.0]	13.5	11.5	1400 [660.7]	8049119
RA1342AC1	R801TA075421MXA	RCF4821STAM	40500 [11.9]	30300 [8.9]	10200 [3.0]	13.5	11.5	1400 [660.7]	8050901
		RCF4824HTAM	42000 [12.3]	31400 [9.2]	10600 [3.1]	14	11.5	1450 [684.3]	8050934
		RCF4824STAM	40500 [11.9]	30300 [8.9]	10200 [3.0]	13.5	11.5	1400 [660.7]	8050967
RA1342AC1	R801TA075521ZSA	RCF4821MTAM	41000 [12.0]	28400 [8.3]	12600 [3.7]	14	11.5	1250 [589.9]	8086602
		RCF4821STAM	40000 [11.7]	28800 [8.4]	11200 [3.3]	13.5	11.5	1225 [578.1]	7511561
		RCF4824HTAM	41500 [12.2]	28600 [8.4]	12900 [3.8]	14	11.5	1250 [589.9]	7511589
		RCF4824STAM	40000 [11.7]	28800 [8.4]	11200 [3.3]	13.5	11.5	1225 [578.1]	7511617
RA1342AC1	R801TA075521ZXA	RCF4821STAM	40000 [11.7]	28800 [8.4]	11200 [3.3]	13.5	11.5	1225 [578.1]	8050904
		RCF4824HTAM	41500 [12.2]	28600 [8.4]	12900 [3.8]	14	11.5	1250 [589.9]	8050936
		RCF4824STAM	40000 [11.7]	28800 [8.4]	11200 [3.3]	13.5	11.5	1225 [578.1]	8050969
RA1342AC1	R801TA100521MSA	RCF4821MTAM	41500 [12.2]	29700 [8.7]	11800 [3.5]	14	11.5	1425 [672.5]	8086603
		RCF4821STAM	40500 [11.9]	29900 [8.8]	10600 [3.1]	14	11.5	1325 [625.3]	7511562
		RCF4824HTAM	42000 [12.3]	29600 [8.7]	12400 [3.6]	14.5	12	1350 [637.1]	7511590
		RCF4824STAM	40500 [11.9]	29900 [8.8]	10600 [3.1]	14	11.5	1325 [625.3]	7511618
RA1342AC1	R801TA100521MXA	RCF4821STAM	40500 [11.9]	29900 [8.8]	10600 [3.1]	14	11.5	1325 [625.3]	8050906
		RCF4824HTAM	42000 [12.3]	29600 [8.7]	12400 [3.6]	14.5	12	1350 [637.1]	8050938
		RCF4824STAM	40500 [11.9]	29900 [8.8]	10600 [3.1]	14	11.5	1325 [625.3]	8050972
RA1342AC1	R801TA100521ZSA	RCF4821MTAM	41000 [12.0]	28400 [8.3]	12600 [3.7]	14	11.5	1250 [589.9]	8086604
		RCF4821STAM	40500 [11.9]	30300 [8.9]	10200 [3.0]	13.5	11.5	1425 [672.5]	7511563
		RCF4824HTAM	42000 [12.3]	30200 [8.9]	11800 [3.5]	14	11.5	1450 [684.3]	7511591
		RCF4824STAM	40500 [11.9]	30300 [8.9]	10200 [3.0]	13.5	11.5	1425 [672.5]	7511619
RA1342AC1	R801TA100521ZXA	RCF4821STAM	40500 [11.9]	30300 [8.9]	10200 [3.0]	13.5	11.5	1425 [672.5]	8050908
		RCF4824HTAM	42000 [12.3]	30200 [8.9]	11800 [3.5]	14	11.5	1450 [684.3]	8050941
		RCF4824STAM	40500 [11.9]	30300 [8.9]	10200 [3.0]	13.5	11.5	1425 [672.5]	8050974
RA1342AC1	R801TA125524MSA	RCF4824HTAM	42000 [12.3]	29900 [8.8]	12100 [3.5]	14.5	12	1400 [660.7]	7511592
		RCF4824STAM	40500 [11.9]	30000 [8.8]	10500 [3.1]	14	11.5	1350 [637.1]	7511620

[] Designates Metric Conversions

Performance Data @ AHRI Standard Conditions – Cooling (con't.)

R801T: Classic Plus Single-Stage X-13 80% Furnace Ratings									
Outdoor Unit	Furnace	Indoor Coil	Total Capacity BTU/H [kW]	Net Sensible BTU/H [kW]	Net Latent BTU/H [kW]	SEER	EER	Indoor CFM [L/s]	AHRI#
RA1342AC1	R801TA125524MXA	RCF4824HTAM	42000 [12.3]	29900 [8.8]	12100 [3.5]	14.5	12	1400 [660.7]	8050943
		RCF4824STAM	40500 [11.9]	30000 [8.8]	10500 [3.1]	14	11.5	1350 [637.1]	8050977
RA1342AC1	R801TA125524ZSA	RCF4824HTAM	41500 [12.2]	28100 [8.2]	13400 [3.9]	14.5	12	1150 [542.7]	7511593
		RCF4824STAM	39500 [11.6]	27700 [8.1]	11800 [3.5]	14	11.5	1100 [519.1]	7511621
RA1342AC1	R801TA125524ZXA	RCF4824HTAM	41500 [12.2]	28100 [8.2]	13400 [3.9]	14.5	12	1150 [542.7]	8050946
		RCF4824STAM	39500 [11.6]	27700 [8.1]	11800 [3.5]	14	11.5	1100 [519.1]	8050979
RA1342AJ1	R801TA075317ZSA	RCF4821MTAM	40500 [11.9]	27900 [8.2]	12600 [3.7]	13.5	11.5	1250 [589.9]	8086655
		RCF4821STAM	40000 [11.7]	29000 [8.5]	11000 [3.2]	13.5	11.5	1250 [589.9]	7511793
RA1342AJ1	R801TA075317ZXA	RCF4821STAM	40000 [11.7]	29000 [8.5]	11000 [3.2]	13.5	11.5	1250 [589.9]	8051115
RA1342AJ1	R801TA075417MSA	RCF4821MTAM	41000 [12.0]	28700 [8.4]	12300 [3.6]	14	11.5	1300 [613.5]	8086656
		RCF4821STAM	40000 [11.7]	29100 [8.5]	10900 [3.2]	13.5	11.5	1275 [601.7]	7511794
RA1342AJ1	R801TA075417MXA	RCF4821STAM	40000 [11.7]	29100 [8.5]	10900 [3.2]	13.5	11.5	1275 [601.7]	8051117
RA1342AJ1	R801TA075421MSA	RCF4821MTAM	41000 [12.0]	28400 [8.3]	12600 [3.7]	14	11.5	1250 [589.9]	8086657
		RCF4821STAM	40500 [11.9]	30300 [8.9]	10200 [3.0]	13.5	11.5	1400 [660.7]	8049140
		RCF4824HTAM	42000 [12.3]	31400 [9.2]	10600 [3.1]	14	11.5	1450 [684.3]	8049146
		RCF4824STAM	40500 [11.9]	30300 [8.9]	10200 [3.0]	13.5	11.5	1400 [660.7]	8049151
RA1342AJ1	R801TA075421MXA	RCF4821STAM	40500 [11.9]	30300 [8.9]	10200 [3.0]	13.5	11.5	1400 [660.7]	8051120
		RCF4824HTAM	42000 [12.3]	31400 [9.2]	10600 [3.1]	14	11.5	1450 [684.3]	8051151
		RCF4824STAM	40500 [11.9]	30300 [8.9]	10200 [3.0]	13.5	11.5	1400 [660.7]	8051185
RA1342AJ1	R801TA075521ZSA	RCF4821MTAM	41000 [12.0]	28400 [8.3]	12600 [3.7]	14	11.5	1250 [589.9]	8086658
		RCF4821STAM	40000 [11.7]	28800 [8.4]	11200 [3.3]	13.5	11.5	1225 [578.1]	7511795
		RCF4824HTAM	41500 [12.2]	28600 [8.4]	12900 [3.8]	14	11.5	1250 [589.9]	7511823
		RCF4824STAM	40000 [11.7]	28800 [8.4]	11200 [3.3]	13.5	11.5	1225 [578.1]	7511851
RA1342AJ1	R801TA075521ZXA	RCF4821STAM	40000 [11.7]	28800 [8.4]	11200 [3.3]	13.5	11.5	1225 [578.1]	8051122
		RCF4824HTAM	41500 [12.2]	28600 [8.4]	12900 [3.8]	14	11.5	1250 [589.9]	8051154
		RCF4824STAM	40000 [11.7]	28800 [8.4]	11200 [3.3]	13.5	11.5	1225 [578.1]	8051187
RA1342AJ1	R801TA100521MSA	RCF4821MTAM	41500 [12.2]	29700 [8.7]	11800 [3.5]	14	11.5	1425 [672.5]	8086659
		RCF4821STAM	40500 [11.9]	29900 [8.8]	10600 [3.1]	14	11.5	1325 [625.3]	7511796
		RCF4824HTAM	42000 [12.3]	29600 [8.7]	12400 [3.6]	14.5	12	1350 [637.1]	7511824
		RCF4824STAM	40500 [11.9]	29900 [8.8]	10600 [3.1]	14	11.5	1325 [625.3]	7511852
RA1342AJ1	R801TA100521MXA	RCF4821STAM	40500 [11.9]	29900 [8.8]	10600 [3.1]	14	11.5	1325 [625.3]	8051124
		RCF4824HTAM	42000 [12.3]	29600 [8.7]	12400 [3.6]	14.5	12	1350 [637.1]	8051156
		RCF4824STAM	40500 [11.9]	29900 [8.8]	10600 [3.1]	14	11.5	1325 [625.3]	8051189
RA1342AJ1	R801TA100521ZSA	RCF4821MTAM	41000 [12.0]	28400 [8.3]	12600 [3.7]	14	11.5	1250 [589.9]	8086660
		RCF4821STAM	40500 [11.9]	30300 [8.9]	10200 [3.0]	13.5	11.5	1425 [672.5]	7511797
		RCF4824HTAM	42000 [12.3]	30200 [8.9]	11800 [3.5]	14	11.5	1450 [684.3]	7511825
		RCF4824STAM	40500 [11.9]	30300 [8.9]	10200 [3.0]	13.5	11.5	1425 [672.5]	7511853
RA1342AJ1	R801TA100521ZXA	RCF4821STAM	40500 [11.9]	30300 [8.9]	10200 [3.0]	13.5	11.5	1425 [672.5]	8051127
		RCF4824HTAM	42000 [12.3]	30200 [8.9]	11800 [3.5]	14	11.5	1450 [684.3]	8051159
		RCF4824STAM	40500 [11.9]	30300 [8.9]	10200 [3.0]	13.5	11.5	1425 [672.5]	8051192
RA1342AJ1	R801TA125524MSA	RCF4824HTAM	42000 [12.3]	29900 [8.8]	12100 [3.5]	14.5	12	1400 [660.7]	7511826
		RCF4824STAM	40500 [11.9]	30000 [8.8]	10500 [3.1]	14	11.5	1350 [637.1]	7511854
RA1342AJ1	R801TA125524MXA	RCF4824HTAM	42000 [12.3]	29900 [8.8]	12100 [3.5]	14.5	12	1400 [660.7]	8051161
		RCF4824STAM	40500 [11.9]	30000 [8.8]	10500 [3.1]	14	11.5	1350 [637.1]	8051194
RA1342AJ1	R801TA125524ZSA	RCF4824HTAM	41500 [12.2]	28100 [8.2]	13400 [3.9]	14.5	12	1150 [542.7]	7511827
		RCF4824STAM	39500 [11.6]	27700 [8.1]	11800 [3.5]	14	11.5	1100 [519.1]	7511855
RA1342AJ1	R801TA125524ZXA	RCF4824HTAM	41500 [12.2]	28100 [8.2]	13400 [3.9]	14.5	12	1150 [542.7]	8051164
		RCF4824STAM	39500 [11.6]	27700 [8.1]	11800 [3.5]	14	11.5	1100 [519.1]	8051197

[] Designates Metric Conversions

Performance Data @ AHRI Standard Conditions – Cooling (con't.)

R801T: Classic Plus Single-Stage X-13 80% Furnace Ratings									
Outdoor Unit	Furnace	Indoor Coil	Total Capacity BTU/H [kW]	Net Sensible BTU/H [kW]	Net Latent BTU/H [kW]	SEER	EER	Indoor CFM [L/s]	AHRI#
RA1348AC1	R801TA075317ZSA	RCF4821MTAM	47500 [13.9]	31500 [9.2]	16000 [4.7]	13	11.5	1350 [637.1]	8086711
RA1348AC1	R801TA075417MSA	RCF4821MTAM	48000 [14.1]	32300 [9.5]	15700 [4.6]	13.5	11.5	1400 [660.7]	8086712
		RCF4821STAM	47000 [13.8]	32800 [9.6]	14200 [4.2]	13	11.5	1375 [648.9]	7508924
RA1348AC1	R801TA075417MXA	RCF4821STAM	47000 [13.8]	32800 [9.6]	14200 [4.2]	13	11.5	1375 [648.9]	8051333
RA1348AC1	R801TA075421MSA	RCF4821MTAM	48000 [14.1]	34400 [10.1]	13600 [4.0]	13.5	11.5	1425 [672.5]	8086713
		RCF4821STAM	47000 [13.8]	33000 [9.7]	14000 [4.1]	13	11.5	1400 [660.7]	8049173
		RCF4824HTAM	48000 [14.1]	34400 [10.1]	13600 [4.0]	13.5	11.5	1425 [672.5]	8049178
		RCF4824STAM	47000 [13.8]	33000 [9.7]	14000 [4.1]	13	11.5	1400 [660.7]	8049183
RA1348AC1	R801TA075421MXA	RCF4821STAM	47000 [13.8]	33000 [9.7]	14000 [4.1]	13	11.5	1400 [660.7]	8051336
		RCF4824HTAM	48000 [14.1]	34400 [10.1]	13600 [4.0]	13.5	11.5	1425 [672.5]	8051360
		RCF4824STAM	47000 [13.8]	33000 [9.7]	14000 [4.1]	13	11.5	1400 [660.7]	8051392
RA1348AC1	R801TA075521ZSA	RCF4821MTAM	48000 [14.1]	34400 [10.1]	13600 [4.0]	13.5	11.5	1425 [672.5]	8086714
		RCF4821STAM	47000 [13.8]	33000 [9.7]	14000 [4.1]	13	11.5	1400 [660.7]	7508925
		RCF4824HTAM	48000 [14.1]	32300 [9.5]	15700 [4.6]	13.5	11.5	1450 [684.3]	7508939
		RCF4824STAM	47000 [13.8]	33000 [9.7]	14000 [4.1]	13	11.5	1400 [660.7]	7508970
RA1348AC1	R801TA075521ZXA	RCF4821STAM	47000 [13.8]	33000 [9.7]	14000 [4.1]	13	11.5	1400 [660.7]	8051338
		RCF4824HTAM	48000 [14.1]	32300 [9.5]	15700 [4.6]	13.5	11.5	1450 [684.3]	8051362
		RCF4824STAM	47000 [13.8]	33000 [9.7]	14000 [4.1]	13	11.5	1400 [660.7]	8051394
RA1348AC1	R801TA100521MSA	RCF4821MTAM	48000 [14.1]	31800 [9.3]	16200 [4.7]	14	11.5	1325 [625.3]	8086715
		RCF4821STAM	47000 [13.8]	32800 [9.6]	14200 [4.2]	13.5	11.5	1375 [648.9]	7508926
		RCF4824HTAM	48000 [14.1]	32200 [9.4]	15800 [4.6]	14	11.5	1425 [672.5]	7508940
		RCF4824STAM	47000 [13.8]	32800 [9.6]	14200 [4.2]	13.5	11.5	1375 [648.9]	7508973
RA1348AC1	R801TA100521MXA	RCF4821STAM	47000 [13.8]	32800 [9.6]	14200 [4.2]	13.5	11.5	1375 [648.9]	8051341
		RCF4824HTAM	48000 [14.1]	32200 [9.4]	15800 [4.6]	14	11.5	1425 [672.5]	8051365
		RCF4824STAM	47000 [13.8]	32800 [9.6]	14200 [4.2]	13.5	11.5	1375 [648.9]	8051396
RA1348AC1	R801TA100521ZSA	RCF4821MTAM	48000 [14.1]	34400 [10.1]	13600 [4.0]	13.5	11.5	1425 [672.5]	8086716
		RCF4821STAM	47000 [13.8]	33000 [9.7]	14000 [4.1]	13	11.5	1400 [660.7]	7508927
		RCF4824HTAM	48000 [14.1]	32200 [9.4]	15800 [4.6]	13.5	11.5	1425 [672.5]	7508941
		RCF4824STAM	47000 [13.8]	33000 [9.7]	14000 [4.1]	13	11.5	1400 [660.7]	7508975
RA1348AC1	R801TA100521ZXA	RCF4821STAM	47000 [13.8]	33000 [9.7]	14000 [4.1]	13	11.5	1400 [660.7]	8051343
		RCF4824HTAM	48000 [14.1]	32200 [9.4]	15800 [4.6]	13.5	11.5	1425 [672.5]	8051367
		RCF4824STAM	47000 [13.8]	33000 [9.7]	14000 [4.1]	13	11.5	1400 [660.7]	8051398
RA1348AC1	R801TA125524MSA	RCF4824HTAM	48000 [14.1]	31800 [9.3]	16200 [4.7]	14	11.5	1375 [648.9]	7508942
		RCF4824STAM	47000 [13.8]	32500 [9.5]	14500 [4.2]	13.5	11.5	1325 [625.3]	7508977
RA1348AC1	R801TA125524MXA	RCF4824HTAM	48000 [14.1]	31800 [9.3]	16200 [4.7]	14	11.5	1375 [648.9]	8051369
		RCF4824STAM	47000 [13.8]	32500 [9.5]	14500 [4.2]	13.5	11.5	1325 [625.3]	8051400
RA1348AC1	R801TA125524ZSA	RCF4824HTAM	48000 [14.1]	31800 [9.3]	16200 [4.7]	13.5	11.5	1375 [648.9]	7508943
		RCF4824STAM	47000 [13.8]	32500 [9.5]	14500 [4.2]	13	11.5	1325 [625.3]	7508979
RA1348AC1	R801TA125524ZXA	RCF4824HTAM	48000 [14.1]	31800 [9.3]	16200 [4.7]	13.5	11.5	1375 [648.9]	8051372
		RCF4824STAM	47000 [13.8]	32500 [9.5]	14500 [4.2]	13	11.5	1325 [625.3]	8051402
RA1348AJ1	R801TA075317ZSA	RCF4821MTAM	47500 [13.9]	31500 [9.2]	16000 [4.7]	13	11.5	1350 [637.1]	8086747
RA1348AJ1	R801TA075417MSA	RCF4821MTAM	48000 [14.1]	32300 [9.5]	15700 [4.6]	13.5	11.5	1400 [660.7]	8086748
		RCF4821STAM	47000 [13.8]	32800 [9.6]	14200 [4.2]	13	11.5	1375 [648.9]	7509149
RA1348AJ1	R801TA075417MXA	RCF4821STAM	47000 [13.8]	32800 [9.6]	14200 [4.2]	13	11.5	1375 [648.9]	8051514
RA1348AJ1	R801TA075421MSA	RCF4821MTAM	48000 [14.1]	34400 [10.1]	13600 [4.0]	13.5	11.5	1425 [672.5]	8086749
		RCF4821STAM	47000 [13.8]	33000 [9.7]	14000 [4.1]	13	11.5	1400 [660.7]	8049208
		RCF4824HTAM	48000 [14.1]	34400 [10.1]	13600 [4.0]	13.5	11.5	1425 [672.5]	8049213
		RCF4824STAM	47000 [13.8]	33000 [9.7]	14000 [4.1]	13	11.5	1400 [660.7]	8049218

[] Designates Metric Conversions

Performance Data @ AHRI Standard Conditions – Cooling (con't.)

R801T: Classic Plus Single-Stage X-13 80% Furnace Ratings									
Outdoor Unit	Furnace	Indoor Coil	Total Capacity BTU/H [kW]	Net Sensible BTU/H [kW]	Net Latent BTU/H [kW]	SEER	EER	Indoor CFM [L/s]	AHRI#
RA1348AJ1	R801TA075421MXA	RCF4821STAM	47000 [13.8]	33000 [9.7]	14000 [4.1]	13	11.5	1400 [660.7]	8051517
		RCF4824HTAM	48000 [14.1]	34400 [10.1]	13600 [4.0]	13.5	11.5	1425 [672.5]	8051541
		RCF4824STAM	47000 [13.8]	33000 [9.7]	14000 [4.1]	13	11.5	1400 [660.7]	8051564
RA1348AJ1	R801TA075521ZSA	RCF4821MTAM	48000 [14.1]	34400 [10.1]	13600 [4.0]	13.5	11.5	1425 [672.5]	8086750
		RCF4821STAM	47000 [13.8]	33000 [9.7]	14000 [4.1]	13	11.5	1400 [660.7]	7509150
		RCF4824HTAM	48000 [14.1]	32300 [9.5]	15700 [4.6]	13.5	11.5	1450 [684.3]	7509164
		RCF4824STAM	47000 [13.8]	33000 [9.7]	14000 [4.1]	13	11.5	1400 [660.7]	7509189
RA1348AJ1	R801TA075521ZXA	RCF4821STAM	47000 [13.8]	33000 [9.7]	14000 [4.1]	13	11.5	1400 [660.7]	8051520
		RCF4824HTAM	48000 [14.1]	32300 [9.5]	15700 [4.6]	13.5	11.5	1450 [684.3]	8051543
		RCF4824STAM	47000 [13.8]	33000 [9.7]	14000 [4.1]	13	11.5	1400 [660.7]	8051565
RA1348AJ1	R801TA100521MSA	RCF4821MTAM	48000 [14.1]	31800 [9.3]	16200 [4.7]	14	11.5	1325 [625.3]	8086751
		RCF4821STAM	47000 [13.8]	32800 [9.6]	14200 [4.2]	13.5	11.5	1375 [648.9]	7509151
		RCF4824HTAM	48000 [14.1]	32200 [9.4]	15800 [4.6]	14	11.5	1425 [672.5]	7509165
		RCF4824STAM	47000 [13.8]	32800 [9.6]	14200 [4.2]	13.5	11.5	1375 [648.9]	7509190
RA1348AJ1	R801TA100521MXA	RCF4821STAM	47000 [13.8]	32800 [9.6]	14200 [4.2]	13.5	11.5	1375 [648.9]	8051522
		RCF4824HTAM	48000 [14.1]	32200 [9.4]	15800 [4.6]	14	11.5	1425 [672.5]	8051546
		RCF4824STAM	47000 [13.8]	32800 [9.6]	14200 [4.2]	13.5	11.5	1375 [648.9]	8051566
RA1348AJ1	R801TA100521ZSA	RCF4821MTAM	48000 [14.1]	34400 [10.1]	13600 [4.0]	13.5	11.5	1425 [672.5]	8086752
		RCF4821STAM	47000 [13.8]	33000 [9.7]	14000 [4.1]	13	11.5	1400 [660.7]	7509152
		RCF4824HTAM	48000 [14.1]	32200 [9.4]	15800 [4.6]	13.5	11.5	1425 [672.5]	7509166
		RCF4824STAM	47000 [13.8]	33000 [9.7]	14000 [4.1]	13	11.5	1400 [660.7]	7509191
RA1348AJ1	R801TA100521ZXA	RCF4821STAM	47000 [13.8]	33000 [9.7]	14000 [4.1]	13	11.5	1400 [660.7]	8051524
		RCF4824HTAM	48000 [14.1]	32200 [9.4]	15800 [4.6]	13.5	11.5	1425 [672.5]	8051548
		RCF4824STAM	47000 [13.8]	33000 [9.7]	14000 [4.1]	13	11.5	1400 [660.7]	8051567
RA1348AJ1	R801TA125524MSA	RCF4824HTAM	48000 [14.1]	31800 [9.3]	16200 [4.7]	14	11.5	1375 [648.9]	7509167
		RCF4824STAM	47000 [13.8]	32500 [9.5]	14500 [4.2]	13.5	11.5	1325 [625.3]	7509192
RA1348AJ1	R801TA125524MXA	RCF4824HTAM	48000 [14.1]	31800 [9.3]	16200 [4.7]	14	11.5	1375 [648.9]	8051551
		RCF4824STAM	47000 [13.8]	32500 [9.5]	14500 [4.2]	13.5	11.5	1325 [625.3]	8051568
RA1348AJ1	R801TA125524ZSA	RCF4824HTAM	48000 [14.1]	31800 [9.3]	16200 [4.7]	13.5	11.5	1375 [648.9]	7509168
		RCF4824STAM	47000 [13.8]	32500 [9.5]	14500 [4.2]	13	11.5	1325 [625.3]	7509193
RA1348AJ1	R801TA125524ZXA	RCF4824HTAM	48000 [14.1]	31800 [9.3]	16200 [4.7]	13.5	11.5	1375 [648.9]	8051553
		RCF4824STAM	47000 [13.8]	32500 [9.5]	14500 [4.2]	13	11.5	1325 [625.3]	8051569
RA1360AC1	R801TA075417MSA	RCF6021STAM	54000 [15.8]	35600 [10.4]	18400 [5.4]	13	11	1475 [696.1]	8086783
RA1360AC1	R801TA075421MSA	RCF6021STAM	54500 [16.0]	35400 [10.4]	19100 [5.6]	13	11	1425 [672.5]	8086784
		RCF6024HTAM	55500 [16.3]	37900 [11.1]	17600 [5.2]	13.5	11.5	1425 [672.5]	8049244
		RCF6024STAM	55500 [16.3]	37900 [11.1]	17600 [5.2]	13.5	11.5	1425 [672.5]	8049249
RA1360AC1	R801TA075421MXA	RCF6021STAM	54500 [16.0]	35400 [10.4]	19100 [5.6]	13	11	1425 [672.5]	8086785
		RCF6024HTAM	55500 [16.3]	37900 [11.1]	17600 [5.2]	13.5	11.5	1425 [672.5]	8051619
		RCF6024STAM	55500 [16.3]	37900 [11.1]	17600 [5.2]	13.5	11.5	1425 [672.5]	8051646
RA1360AC1	R801TA075521ZSA	RCF6024HTAM	56000 [16.4]	38500 [11.3]	17500 [5.1]	13	11	1450 [684.3]	7509291
		RCF6024STAM	56000 [16.4]	38500 [11.3]	17500 [5.1]	13	11	1450 [684.3]	7509315
RA1360AC1	R801TA075521ZXA	RCF6024HTAM	56000 [16.4]	38500 [11.3]	17500 [5.1]	13	11	1450 [684.3]	8051621
		RCF6024STAM	56000 [16.4]	38500 [11.3]	17500 [5.1]	13	11	1450 [684.3]	8051647
RA1360AC1	R801TA100521MSA	RCF6021STAM	56000 [16.4]	40400 [11.8]	15600 [4.6]	13	11	1850 [873.1]	8086786
		RCF6024HTAM	57000 [16.7]	41100 [12.0]	15900 [4.7]	13.5	11.5	1650 [778.7]	7509292
		RCF6024STAM	57000 [16.7]	41100 [12.0]	15900 [4.7]	13.5	11.5	1650 [778.7]	7509316
RA1360AC1	R801TA100521MXA	RCF6024HTAM	57000 [16.7]	41100 [12.0]	15900 [4.7]	13.5	11.5	1650 [778.7]	8051623
		RCF6024STAM	57000 [16.7]	41100 [12.0]	15900 [4.7]	13.5	11.5	1650 [778.7]	8051648

[] Designates Metric Conversions

Performance Data @ AHRI Standard Conditions – Cooling (con't.)

R801T: Classic Plus Single-Stage X-13 80% Furnace Ratings									
Outdoor Unit	Furnace	Indoor Coil	Total Capacity BTU/H [kW]	Net Sensible BTU/H [kW]	Net Latent BTU/H [kW]	SEER	EER	Indoor CFM [L/s]	AHRI#
RA1360AC1	R801TA100521ZSA	RCF6024HTAM	57000 [16.7]	41500 [12.2]	15500 [4.5]	13	11	1700 [802.3]	7509293
		RCF6024STAM	57000 [16.7]	41500 [12.2]	15500 [4.5]	13	11	1700 [802.3]	7509317
RA1360AC1	R801TA100521ZXA	RCF6024HTAM	57000 [16.7]	41500 [12.2]	15500 [4.5]	13	11	1700 [802.3]	8051625
		RCF6024STAM	57000 [16.7]	41500 [12.2]	15500 [4.5]	13	11	1700 [802.3]	8051649
RA1360AC1	R801TA125524MSA	RCF6024HTAM	57000 [16.7]	41100 [12.0]	15900 [4.7]	13.5	11.5	1650 [778.7]	7509294
		RCF6024STAM	57000 [16.7]	41100 [12.0]	15900 [4.7]	13.5	11.5	1650 [778.7]	7509318
RA1360AC1	R801TA125524MXA	RCF6024HTAM	57000 [16.7]	41100 [12.0]	15900 [4.7]	13.5	11.5	1650 [778.7]	8051627
		RCF6024STAM	57000 [16.7]	41100 [12.0]	15900 [4.7]	13.5	11.5	1650 [778.7]	8051650
RA1360AC1	R801TA125524ZSA	RCF6024HTAM	57000 [16.7]	41300 [12.1]	15700 [4.6]	13	11	1675 [790.5]	7509295
		RCF6024STAM	57000 [16.7]	41300 [12.1]	15700 [4.6]	13	11	1675 [790.5]	7509319
RA1360AC1	R801TA125524ZXA	RCF6024HTAM	57000 [16.7]	41300 [12.1]	15700 [4.6]	13	11	1675 [790.5]	8051629
		RCF6024STAM	57000 [16.7]	41300 [12.1]	15700 [4.6]	13	11	1675 [790.5]	8051651
RA1360AJ1	R801TA075417MSA	RCF6021STAM	54000 [15.8]	35600 [10.4]	18400 [5.4]	13	11	1475 [696.1]	8086801
RA1360AJ1	R801TA075421MSA	RCF6021STAM	54500 [16.0]	35400 [10.4]	19100 [5.6]	13	11	1425 [672.5]	8086802
		RCF6024HTAM	55500 [16.3]	37900 [11.1]	17600 [5.2]	13.5	11.5	1425 [672.5]	8049275
		RCF6024STAM	55500 [16.3]	37900 [11.1]	17600 [5.2]	13.5	11.5	1425 [672.5]	8049280
RA1360AJ1	R801TA075421MXA	RCF6021STAM	54500 [16.0]	35400 [10.4]	19100 [5.6]	13	11	1425 [672.5]	8086803
		RCF6024HTAM	55500 [16.3]	37900 [11.1]	17600 [5.2]	13.5	11.5	1425 [672.5]	8051688
		RCF6024STAM	55500 [16.3]	37900 [11.1]	17600 [5.2]	13.5	11.5	1425 [672.5]	8051700
RA1360AJ1	R801TA075521ZSA	RCF6024HTAM	56000 [16.4]	38500 [11.3]	17500 [5.1]	13	11	1450 [684.3]	7509413
		RCF6024STAM	56000 [16.4]	38500 [11.3]	17500 [5.1]	13	11	1450 [684.3]	7509437
RA1360AJ1	R801TA075521ZXA	RCF6024HTAM	56000 [16.4]	38500 [11.3]	17500 [5.1]	13	11	1450 [684.3]	8051689
		RCF6024STAM	56000 [16.4]	38500 [11.3]	17500 [5.1]	13	11	1450 [684.3]	8051701
RA1360AJ1	R801TA100521MSA	RCF6021STAM	56000 [16.4]	40400 [11.8]	15600 [4.6]	13	11	1850 [873.1]	8086804
		RCF6024HTAM	57000 [16.7]	41100 [12.0]	15900 [4.7]	13.5	11.5	1650 [778.7]	7509414
		RCF6024STAM	57000 [16.7]	41100 [12.0]	15900 [4.7]	13.5	11.5	1650 [778.7]	7509438
RA1360AJ1	R801TA100521MXA	RCF6024HTAM	57000 [16.7]	41100 [12.0]	15900 [4.7]	13.5	11.5	1650 [778.7]	8051690
		RCF6024STAM	57000 [16.7]	41100 [12.0]	15900 [4.7]	13.5	11.5	1650 [778.7]	8051702
RA1360AJ1	R801TA100521ZSA	RCF6024HTAM	57000 [16.7]	41500 [12.2]	15500 [4.5]	13	11	1700 [802.3]	7509415
		RCF6024STAM	57000 [16.7]	41500 [12.2]	15500 [4.5]	13	11	1700 [802.3]	7509439
RA1360AJ1	R801TA100521ZXA	RCF6024HTAM	57000 [16.7]	41500 [12.2]	15500 [4.5]	13	11	1700 [802.3]	8051691
		RCF6024STAM	57000 [16.7]	41500 [12.2]	15500 [4.5]	13	11	1700 [802.3]	8051703
RA1360AJ1	R801TA125524MSA	RCF6024HTAM	57000 [16.7]	41100 [12.0]	15900 [4.7]	13.5	11.5	1650 [778.7]	7509416
		RCF6024STAM	57000 [16.7]	41100 [12.0]	15900 [4.7]	13.5	11.5	1650 [778.7]	7509440
RA1360AJ1	R801TA125524MXA	RCF6024HTAM	57000 [16.7]	41100 [12.0]	15900 [4.7]	13.5	11.5	1650 [778.7]	8051692
		RCF6024STAM	57000 [16.7]	41100 [12.0]	15900 [4.7]	13.5	11.5	1650 [778.7]	8051704
RA1360AJ1	R801TA125524ZSA	RCF6024HTAM	57000 [16.7]	41300 [12.1]	15700 [4.6]	13	11	1675 [790.5]	7509417
		RCF6024STAM	57000 [16.7]	41300 [12.1]	15700 [4.6]	13	11	1675 [790.5]	7509441
RA1360AJ1	R801TA125524ZXA	RCF6024HTAM	57000 [16.7]	41300 [12.1]	15700 [4.6]	13	11	1675 [790.5]	8051693
		RCF6024STAM	57000 [16.7]	41300 [12.1]	15700 [4.6]	13	11	1675 [790.5]	8051705

[] Designates Metric Conversions

Performance Data @ AHRI Standard Conditions – Cooling (con't.)

R802V: Prestige 2-Stage 80% ECM Furnace Ratings									
Outdoor Unit	Furnace	Indoor Coil	Total Capacity BTU/H [kW]	Net Sensible BTU/H [kW]	Net Latent BTU/H [kW]	SEER	EER	Indoor CFM [L/s]	AHRI#
RA1318AJ1	R802VA050317MSA	RCF2417HTAM	18000 [5.3]	13400 [3.9]	4600 [1.3]	14.5	12	675 [318.6]	7982141
		RCF2417MTAM	18000 [5.3]	13400 [3.9]	4600 [1.3]	14.5	12	675 [318.6]	7982150
		RCF2417STAM	18000 [5.3]	13400 [3.9]	4600 [1.3]	14.5	12	675 [318.6]	7982159
		RCF2421MTAM	18000 [5.3]	13400 [3.9]	4600 [1.3]	14.5	12	675 [318.6]	7982178
RA1318AJ1	R802VA050317MXA	RCF2417HTAM	18000 [5.3]	13400 [3.9]	4600 [1.3]	14.5	12	675 [318.6]	8050157
		RCF2417MTAM	18000 [5.3]	13400 [3.9]	4600 [1.3]	14.5	12	675 [318.6]	8050164
		RCF2417STAM	18000 [5.3]	13400 [3.9]	4600 [1.3]	14.5	12	675 [318.6]	8050171
		RCF2421MTAM	18000 [5.3]	13400 [3.9]	4600 [1.3]	14.5	12	675 [318.6]	8050184
RA1318AJ1	R802VA075317MSA	RCF2417HTAM	18000 [5.3]	13400 [3.9]	4600 [1.3]	14.5	12	675 [318.6]	7982144
		RCF2417MTAM	18000 [5.3]	13400 [3.9]	4600 [1.3]	14.5	12	675 [318.6]	7982152
		RCF2417STAM	18000 [5.3]	13400 [3.9]	4600 [1.3]	14.5	12	675 [318.6]	7982162
		RCF2421MTAM	18000 [5.3]	13400 [3.9]	4600 [1.3]	14.5	12	675 [318.6]	7982180
RA1318AJ1	R802VA075317MXA	RCF2417HTAM	18000 [5.3]	13400 [3.9]	4600 [1.3]	14.5	12	675 [318.6]	8050158
		RCF2417MTAM	18000 [5.3]	13400 [3.9]	4600 [1.3]	14.5	12	675 [318.6]	8050165
		RCF2417STAM	18000 [5.3]	13400 [3.9]	4600 [1.3]	14.5	12	675 [318.6]	8050172
		RCF2421MTAM	18000 [5.3]	13400 [3.9]	4600 [1.3]	14.5	12	675 [318.6]	8050185
RA1318AJ1	R802VA075317ZSA	RCF2417HTAM	18000 [5.3]	13400 [3.9]	4600 [1.3]	14.5	12	675 [318.6]	7982146
		RCF2417MTAM	18000 [5.3]	13400 [3.9]	4600 [1.3]	14.5	12	675 [318.6]	7982155
		RCF2417STAM	18000 [5.3]	13400 [3.9]	4600 [1.3]	14.5	12	675 [318.6]	7982164
		RCF2421MTAM	18000 [5.3]	13400 [3.9]	4600 [1.3]	14.5	12	675 [318.6]	7982182
RA1318AJ1	R802VA075317ZXA	RCF2417HTAM	18000 [5.3]	13400 [3.9]	4600 [1.3]	14.5	12	675 [318.6]	8050159
		RCF2417MTAM	18000 [5.3]	13400 [3.9]	4600 [1.3]	14.5	12	675 [318.6]	8050166
		RCF2417STAM	18000 [5.3]	13400 [3.9]	4600 [1.3]	14.5	12	675 [318.6]	8050173
		RCF2421MTAM	18000 [5.3]	13400 [3.9]	4600 [1.3]	14.5	12	675 [318.6]	8050186
RA1318AJ1	R802VA075421MSA	RCF2421MTAM	18000 [5.3]	13400 [3.9]	4600 [1.3]	15	12.5	650 [306.8]	8048993
RA1318AJ1	R802VA075421MXA	RCF2421MTAM	18000 [5.3]	13400 [3.9]	4600 [1.3]	15	12.5	650 [306.8]	8050187
RA1318AJ1	R802VA050317MSA	RCF2421HTAM	18000 [5.3]	13400 [3.9]	4600 [1.3]	14.5	12	675 [318.6]	7982168
RA1318AJ1	R802VA050317MXA	RCF2421HTAM	18000 [5.3]	13400 [3.9]	4600 [1.3]	14.5	12	675 [318.6]	8050177
RA1318AJ1	R802VA075317MSA	RCF2421HTAM	18000 [5.3]	13400 [3.9]	4600 [1.3]	14.5	12	675 [318.6]	7982171
RA1318AJ1	R802VA075317MXA	RCF2421HTAM	18000 [5.3]	13400 [3.9]	4600 [1.3]	14.5	12	675 [318.6]	8050178
RA1318AJ1	R802VA075317ZSA	RCF2421HTAM	18000 [5.3]	13400 [3.9]	4600 [1.3]	14.5	12	675 [318.6]	7982173
RA1318AJ1	R802VA075317ZXA	RCF2421HTAM	18000 [5.3]	13400 [3.9]	4600 [1.3]	14.5	12	675 [318.6]	8050179
RA1318AJ1	R802VA075421MSA	RCF2421HTAM	18000 [5.3]	13400 [3.9]	4600 [1.3]	15	12.5	650 [306.8]	8048992
RA1318AJ1	R802VA075421MXA	RCF2421HTAM	18000 [5.3]	13400 [3.9]	4600 [1.3]	15	12.5	650 [306.8]	8050180
RA1324AJ1	R802VA050317MSA	RCF2417HTAM	24000 [7.0]	17900 [5.2]	6100 [1.8]	14	11.5	875 [413.0]	7982239
		RCF2417MTAM	24000 [7.0]	17300 [5.1]	6700 [2.0]	14	11.5	850 [401.2]	7982248
		RCF2417STAM	23800 [7.0]	17800 [5.2]	6000 [1.8]	14	11.5	775 [365.8]	7982257
		RCF2421MTAM	24000 [7.0]	17300 [5.1]	6700 [2.0]	14	11.5	850 [401.2]	7982277
RA1324AJ1	R802VA050317MXA	RCF2417HTAM	24000 [7.0]	17900 [5.2]	6100 [1.8]	14	11.5	875 [413.0]	8050234
		RCF2417MTAM	24000 [7.0]	17300 [5.1]	6700 [2.0]	14	11.5	850 [401.2]	8050241
		RCF2417STAM	23800 [7.0]	17800 [5.2]	6000 [1.8]	14	11.5	775 [365.8]	8050248
		RCF2421MTAM	24000 [7.0]	17300 [5.1]	6700 [2.0]	14	11.5	850 [401.2]	8050264
RA1324AJ1	R802VA075317MSA	RCF2417HTAM	24000 [7.0]	17900 [5.2]	6100 [1.8]	14.5	12	875 [413.0]	7982241
		RCF2417MTAM	24000 [7.0]	17900 [5.2]	6100 [1.8]	14.5	12	850 [401.2]	7982250
		RCF2417STAM	24000 [7.0]	17900 [5.2]	6100 [1.8]	14	11.5	875 [413.0]	7982259
		RCF2421MTAM	24000 [7.0]	17900 [5.2]	6100 [1.8]	14.5	12	850 [401.2]	7982278

[] Designates Metric Conversions

Performance Data @ AHRI Standard Conditions – Cooling (con't.)

R802V: Prestige 2-Stage 80% ECM Furnace Ratings									
Outdoor Unit	Furnace	Indoor Coil	Total Capacity BTU/H [kW]	Net Sensible BTU/H [kW]	Net Latent BTU/H [kW]	SEER	EER	Indoor CFM [L/s]	AHRI#
RA1324AJ1	R802VA075317MXA	RCF2417HTAM	24000 [7.0]	17900 [5.2]	6100 [1.8]	14.5	12	875 [413.0]	8050235
		RCF2417MTAM	24000 [7.0]	17900 [5.2]	6100 [1.8]	14.5	12	850 [401.2]	8050242
		RCF2417STAM	24000 [7.0]	17900 [5.2]	6100 [1.8]	14	11.5	875 [413.0]	8050250
		RCF2421MTAM	24000 [7.0]	17900 [5.2]	6100 [1.8]	14.5	12	850 [401.2]	8050265
RA1324AJ1	R802VA075317ZSA	RCF2417HTAM	23600 [6.9]	16500 [4.8]	7100 [2.1]	14.5	12	725 [342.2]	7982243
		RCF2417MTAM	24000 [7.0]	17900 [5.2]	6100 [1.8]	14	11.5	875 [413.0]	7982252
		RCF2417STAM	24000 [7.0]	17900 [5.2]	6100 [1.8]	14	11.5	875 [413.0]	7982262
		RCF2421MTAM	24000 [7.0]	17900 [5.2]	6100 [1.8]	14	11.5	875 [413.0]	7982279
RA1324AJ1	R802VA075317ZXA	RCF2417HTAM	23600 [6.9]	16500 [4.8]	7100 [2.1]	14.5	12	725 [342.2]	8050236
		RCF2417MTAM	24000 [7.0]	17900 [5.2]	6100 [1.8]	14	11.5	875 [413.0]	8050243
		RCF2417STAM	24000 [7.0]	17900 [5.2]	6100 [1.8]	14	11.5	875 [413.0]	8050251
		RCF2421MTAM	24000 [7.0]	17900 [5.2]	6100 [1.8]	14	11.5	875 [413.0]	8050266
RA1324AJ1	R802VA075421MSA	RCF2421MTAM	24000 [7.0]	17900 [5.2]	6100 [1.8]	14.5	12	850 [401.2]	8049001
RA1324AJ1	R802VA075421MXA	RCF2421MTAM	24000 [7.0]	17900 [5.2]	6100 [1.8]	14.5	12	850 [401.2]	8050267
RA1324AJ1	R802VA075421ZSA	RCF2421MTAM	24000 [7.0]	17900 [5.2]	6100 [1.8]	14	11.5	875 [413.0]	7982280
RA1324AJ1	R802VA075421ZXA	RCF2421MTAM	24000 [7.0]	17900 [5.2]	6100 [1.8]	14	11.5	875 [413.0]	8050268
RA1324AJ1	R802VA100521MSA	RCF2421MTAM	24000 [7.0]	17900 [5.2]	6100 [1.8]	14.5	12	850 [401.2]	7982281
RA1324AJ1	R802VA100521MXA	RCF2421MTAM	24000 [7.0]	17900 [5.2]	6100 [1.8]	14.5	12	850 [401.2]	8050269
RA1324AJ1	R802VA050317MSA	RCF2421HTAM	24000 [7.0]	17300 [5.1]	6700 [2.0]	14	11.5	850 [401.2]	7982266
RA1324AJ1	R802VA050317MXA	RCF2421HTAM	24000 [7.0]	17300 [5.1]	6700 [2.0]	14	11.5	850 [401.2]	8050255
RA1324AJ1	R802VA075317MSA	RCF2421HTAM	24000 [7.0]	17900 [5.2]	6100 [1.8]	14.5	12	850 [401.2]	7982269
RA1324AJ1	R802VA075317MXA	RCF2421HTAM	24000 [7.0]	17900 [5.2]	6100 [1.8]	14.5	12	850 [401.2]	8050256
RA1324AJ1	R802VA075317ZSA	RCF2421HTAM	24000 [7.0]	17900 [5.2]	6100 [1.8]	14	11.5	875 [413.0]	7982271
RA1324AJ1	R802VA075317ZXA	RCF2421HTAM	24000 [7.0]	17900 [5.2]	6100 [1.8]	14	11.5	875 [413.0]	8050257
RA1324AJ1	R802VA075421MSA	RCF2421HTAM	24000 [7.0]	17900 [5.2]	6100 [1.8]	14.5	12	850 [401.2]	8048999
RA1324AJ1	R802VA075421MXA	RCF2421HTAM	24000 [7.0]	17900 [5.2]	6100 [1.8]	14.5	12	850 [401.2]	8050258
RA1324AJ1	R802VA075421ZSA	RCF2421HTAM	24000 [7.0]	17900 [5.2]	6100 [1.8]	14	11.5	875 [413.0]	7982273
RA1324AJ1	R802VA075421ZXA	RCF2421HTAM	24000 [7.0]	17900 [5.2]	6100 [1.8]	14	11.5	875 [413.0]	8050259
RA1324AJ1	R802VA100521MSA	RCF2421HTAM	24000 [7.0]	17900 [5.2]	6100 [1.8]	14.5	12	850 [401.2]	7982275
RA1324AJ1	R802VA100521MXA	RCF2421HTAM	24000 [7.0]	17900 [5.2]	6100 [1.8]	14.5	12	850 [401.2]	8050260
RA1330AJ1	R802VA050317MSA	RCF3617STAM	28000 [8.2]	20500 [6.0]	7500 [2.2]	14	11.5	800 [377.6]	7982307
		RCF3621HTAM	29800 [8.7]	21300 [6.2]	8500 [2.5]	15	12.5	800 [377.6]	8086519
		RCF3621MTAM	29800 [8.7]	21400 [6.3]	8400 [2.5]	14.5	12	875 [413.0]	7982311
		RCF3621STAM	28200 [8.3]	20900 [6.1]	7300 [2.1]	14	11.5	850 [401.2]	7982318
RA1330AJ1	R802VA050317MXA	RCF3617STAM	28000 [8.2]	20500 [6.0]	7500 [2.2]	14	11.5	800 [377.6]	8050316
		RCF3621MTAM	29800 [8.7]	21400 [6.3]	8400 [2.5]	14.5	12	875 [413.0]	8050326
		RCF3621STAM	28200 [8.3]	20900 [6.1]	7300 [2.1]	14	11.5	850 [401.2]	8050340
RA1330AJ1	R802VA075317MSA	RCF3617STAM	29000 [8.5]	22300 [6.5]	6700 [2.0]	14	11.5	1025 [483.7]	7982308
		RCF3621HTAM	30000 [8.8]	22900 [6.7]	7100 [2.1]	15.1	12.5	1075 [507.3]	8086520
		RCF3621MTAM	30000 [8.8]	22900 [6.7]	7100 [2.1]	14.5	12	1075 [507.3]	7982312
		RCF3621STAM	29000 [8.5]	22300 [6.5]	6700 [2.0]	14	11.5	1025 [483.7]	7982319
RA1330AJ1	R802VA075317MXA	RCF3617STAM	29000 [8.5]	22300 [6.5]	6700 [2.0]	14	11.5	1025 [483.7]	8050317
		RCF3621MTAM	30000 [8.8]	22900 [6.7]	7100 [2.1]	14.5	12	1075 [507.3]	8050327
		RCF3621STAM	29000 [8.5]	22300 [6.5]	6700 [2.0]	14	11.5	1025 [483.7]	8050341
RA1330AJ1	R802VA075317ZSA	RCF3617STAM	28400 [8.3]	21300 [6.2]	7100 [2.1]	14	11.5	900 [424.8]	7982309
		RCF3621MTAM	30000 [8.8]	22900 [6.7]	7100 [2.1]	14.5	12	1050 [495.5]	7982313
		RCF3621STAM	28600 [8.4]	21500 [6.3]	7100 [2.1]	14	11.5	900 [424.8]	7982320

[] Designates Metric Conversions

Performance Data @ AHRI Standard Conditions – Cooling (con't.)

R802V: Prestige 2-Stage 80% ECM Furnace Ratings									
Outdoor Unit	Furnace	Indoor Coil	Total Capacity BTU/H [kW]	Net Sensible BTU/H [kW]	Net Latent BTU/H [kW]	SEER	EER	Indoor CFM [L/s]	AHRI#
RA1330AJ1	R802VA075317ZXA	RCF3617STAM	28400 [8.3]	21300 [6.2]	7100 [2.1]	14	11.5	900 [424.8]	8050318
		RCF3621MTAM	30000 [8.8]	22900 [6.7]	7100 [2.1]	14.5	12	1050 [495.5]	8050328
		RCF3621STAM	28600 [8.4]	21500 [6.3]	7100 [2.1]	14	11.5	900 [424.8]	8050342
RA1330AJ1	R802VA075421MSA	RCF3621HTAM	30000 [8.8]	22900 [6.7]	7100 [2.1]	15.1	12.5	1075 [507.3]	8086521
		RCF3621MTAM	30000 [8.8]	22900 [6.7]	7100 [2.1]	15	12.5	1000 [471.9]	8049011
		RCF3621STAM	29200 [8.6]	22500 [6.6]	6700 [2.0]	14	11.5	1025 [483.7]	8049015
		RCF3624MTAM	30000 [8.8]	22900 [6.7]	7100 [2.1]	15	12.5	1000 [471.9]	8049019
RA1330AJ1	R802VA075421MXA	RCF3621HTAM	30000 [8.8]	22900 [6.7]	7100 [2.1]	15.1	12.5	1075 [507.3]	8086522
		RCF3621MTAM	30000 [8.8]	22900 [6.7]	7100 [2.1]	15	12.5	1000 [471.9]	8050329
		RCF3621STAM	29200 [8.6]	22500 [6.6]	6700 [2.0]	14	11.5	1025 [483.7]	8050343
		RCF3624MTAM	30000 [8.8]	22900 [6.7]	7100 [2.1]	15	12.5	1000 [471.9]	8050362
RA1330AJ1	R802VA075421ZSA	RCF3621MTAM	30000 [8.8]	22900 [6.7]	7100 [2.1]	14.5	12	1075 [507.3]	7982314
		RCF3621STAM	29000 [8.5]	22300 [6.5]	6700 [2.0]	14	11.5	1025 [483.7]	7982321
		RCF3624HTAM	30000 [8.8]	22900 [6.7]	7100 [2.1]	15.1	12.5	1075 [507.3]	7982325
		RCF3624MTAM	30000 [8.8]	22900 [6.7]	7100 [2.1]	14.5	12	1075 [507.3]	7982330
RA1330AJ1	R802VA075421ZXA	RCF3621MTAM	30000 [8.8]	22900 [6.7]	7100 [2.1]	14.5	12	1075 [507.3]	8050330
		RCF3621STAM	29000 [8.5]	22300 [6.5]	6700 [2.0]	14	11.5	1025 [483.7]	8050344
		RCF3624HTAM	30000 [8.8]	22900 [6.7]	7100 [2.1]	15.1	12.5	1075 [507.3]	8050352
		RCF3624MTAM	30000 [8.8]	22900 [6.7]	7100 [2.1]	14.5	12	1075 [507.3]	8050363
RA1330AJ1	R802VA100521MSA	RCF3621HTAM	30000 [8.8]	22900 [6.7]	7100 [2.1]	15.5	13	1025 [483.7]	8086523
		RCF3621MTAM	30000 [8.8]	22900 [6.7]	7100 [2.1]	15.1	12.5	1025 [483.7]	7982315
		RCF3621STAM	29200 [8.6]	22500 [6.6]	6700 [2.0]	14.5	12	1025 [483.7]	7982322
		RCF3624HTAM	30000 [8.8]	22900 [6.7]	7100 [2.1]	15.5	13	1025 [483.7]	7982326
		RCF3624MTAM	30000 [8.8]	22900 [6.7]	7100 [2.1]	15.1	12.5	1025 [483.7]	7982331
RA1330AJ1	R802VA100521MXA	RCF3621MTAM	30000 [8.8]	22900 [6.7]	7100 [2.1]	15.1	12.5	1025 [483.7]	8050331
		RCF3621STAM	29200 [8.6]	22500 [6.6]	6700 [2.0]	14.5	12	1025 [483.7]	8050345
		RCF3624HTAM	30000 [8.8]	22900 [6.7]	7100 [2.1]	15.5	13	1025 [483.7]	8050353
		RCF3624MTAM	30000 [8.8]	22900 [6.7]	7100 [2.1]	15.1	12.5	1025 [483.7]	8050364
RA1330AJ1	R802VA100521ZSA	RCF3621MTAM	30000 [8.8]	22900 [6.7]	7100 [2.1]	14.5	12	1050 [495.5]	7982316
		RCF3621STAM	29000 [8.5]	22100 [6.5]	6900 [2.0]	14	11.5	975 [460.1]	7982323
		RCF3624HTAM	30000 [8.8]	22900 [6.7]	7100 [2.1]	15.5	13	975 [460.1]	7982327
		RCF3624MTAM	30000 [8.8]	22900 [6.7]	7100 [2.1]	14.5	12	1050 [495.5]	7982332
RA1330AJ1	R802VA100521ZXA	RCF3621MTAM	30000 [8.8]	22900 [6.7]	7100 [2.1]	14.5	12	1050 [495.5]	8050332
		RCF3621STAM	29000 [8.5]	22100 [6.5]	6900 [2.0]	14	11.5	975 [460.1]	8050346
		RCF3624HTAM	30000 [8.8]	22900 [6.7]	7100 [2.1]	15.5	13	975 [460.1]	8050354
		RCF3624MTAM	30000 [8.8]	22900 [6.7]	7100 [2.1]	14.5	12	1050 [495.5]	8050365
RA1330AJ1	R802VA125524MSA	RCF3624HTAM	30000 [8.8]	22900 [6.7]	7100 [2.1]	15.5	13	1050 [495.5]	7982328
RA1330AJ1	R802VA125524MXA	RCF3624MTAM	30000 [8.8]	22900 [6.7]	7100 [2.1]	15.1	12.5	1050 [495.5]	7982333
		RCF3624HTAM	30000 [8.8]	22900 [6.7]	7100 [2.1]	15.5	13	1050 [495.5]	8050355
RA1330AJ1	R802VA125524ZSA	RCF3624MTAM	30000 [8.8]	22900 [6.7]	7100 [2.1]	15.1	12.5	1050 [495.5]	8050366
		RCF3624HTAM	30000 [8.8]	22900 [6.7]	7100 [2.1]	15.5	13	1075 [507.3]	7982329
RA1330AJ1	R802VA125524ZXA	RCF3624MTAM	30000 [8.8]	22900 [6.7]	7100 [2.1]	15	12.5	1000 [471.9]	7982334
		RCF3624HTAM	30000 [8.8]	22900 [6.7]	7100 [2.1]	15.5	13	1075 [507.3]	8050356
RA1336AC1	R802VA050317MSA	RCF3624MTAM	30000 [8.8]	22900 [6.7]	7100 [2.1]	15	12.5	1000 [471.9]	8050367
		RCF3617STAM	34400 [10.1]	24100 [7.1]	10300 [3.0]	13	11.5	975 [460.1]	7982369
		RCF3621HTAM	36000 [10.6]	25400 [7.4]	10600 [3.1]	14.5	12	975 [460.1]	8086547
		RCF3621MTAM	36000 [10.6]	25400 [7.4]	10600 [3.1]	14	11.5	975 [460.1]	7982373
		RCF3621STAM	34600 [10.1]	24300 [7.1]	10300 [3.0]	13	11.5	975 [460.1]	7982380

[] Designates Metric Conversions

Performance Data @ AHRI Standard Conditions – Cooling (con't.)

R802V: Prestige 2-Stage 80% ECM Furnace Ratings									
Outdoor Unit	Furnace	Indoor Coil	Total Capacity BTU/H [kW]	Net Sensible BTU/H [kW]	Net Latent BTU/H [kW]	SEER	EER	Indoor CFM [L/s]	AHRI#
RA1336AC1	R802VA050317MXA	RCF3617STAM	34400 [10.1]	24100 [7.1]	10300 [3.0]	13	11.5	975 [460.1]	8050442
		RCF3621MTAM	36000 [10.6]	25400 [7.4]	10600 [3.1]	14	11.5	975 [460.1]	8050453
		RCF3621STAM	34600 [10.1]	24300 [7.1]	10300 [3.0]	13	11.5	975 [460.1]	8050469
RA1336AC1	R802VA075317MSA	RCF3617STAM	35600 [10.4]	26000 [7.6]	9600 [2.8]	13.5	11.5	1150 [542.7]	7982370
		RCF3621HTAM	36000 [10.6]	25400 [7.4]	10600 [3.1]	15	12.5	975 [460.1]	8086548
		RCF3621MTAM	36000 [10.6]	25400 [7.4]	10600 [3.1]	14.5	12	1075 [507.3]	7982374
		RCF3621STAM	35600 [10.4]	26000 [7.6]	9600 [2.8]	13.5	11.5	1150 [542.7]	7982381
RA1336AC1	R802VA075317MXA	RCF3617STAM	35600 [10.4]	26000 [7.6]	9600 [2.8]	13.5	11.5	1150 [542.7]	8050443
		RCF3621MTAM	36000 [10.6]	25400 [7.4]	10600 [3.1]	14.5	12	1075 [507.3]	8050454
		RCF3621STAM	35600 [10.4]	26000 [7.6]	9600 [2.8]	13.5	11.5	1150 [542.7]	8050470
RA1336AC1	R802VA075317ZSA	RCF3617STAM	35000 [10.3]	25000 [7.3]	10000 [2.9]	13.5	11.5	1050 [495.5]	7982371
		RCF3621MTAM	36000 [10.6]	25400 [7.4]	10600 [3.1]	14.5	12	1000 [471.9]	7982375
		RCF3621STAM	35200 [10.3]	25400 [7.4]	9800 [2.9]	13.5	11.5	1100 [519.1]	7982382
RA1336AC1	R802VA075317ZXA	RCF3617STAM	35000 [10.3]	25000 [7.3]	10000 [2.9]	13.5	11.5	1050 [495.5]	8050444
		RCF3621MTAM	36000 [10.6]	25400 [7.4]	10600 [3.1]	14.5	12	1000 [471.9]	8050455
		RCF3621STAM	35200 [10.3]	25400 [7.4]	9800 [2.9]	13.5	11.5	1100 [519.1]	8050471
RA1336AC1	R802VA075421MSA	RCF3621HTAM	36000 [10.6]	25400 [7.4]	10600 [3.1]	15.1	12.5	1000 [471.9]	8086549
		RCF3621MTAM	36000 [10.6]	25400 [7.4]	10600 [3.1]	14.5	12	1250 [589.9]	8049043
		RCF3621STAM	35400 [10.4]	25600 [7.5]	9800 [2.9]	14	11.5	1100 [519.1]	8049047
		RCF3624HTAM	36000 [10.6]	25400 [7.4]	10600 [3.1]	15.1	12.5	1250 [589.9]	8049051
		RCF3624MTAM	36000 [10.6]	25400 [7.4]	10600 [3.1]	14.5	12	1250 [589.9]	8049053
RA1336AC1	R802VA075421MXA	RCF3621HTAM	36000 [10.6]	25400 [7.4]	10600 [3.1]	15.1	12.5	1000 [471.9]	8086550
		RCF3621MTAM	36000 [10.6]	25400 [7.4]	10600 [3.1]	14.5	12	1250 [589.9]	8050456
		RCF3621STAM	35400 [10.4]	25600 [7.5]	9800 [2.9]	14	11.5	1100 [519.1]	8050472
		RCF3624HTAM	36000 [10.6]	25400 [7.4]	10600 [3.1]	15.1	12.5	1250 [589.9]	8050485
		RCF3624MTAM	36000 [10.6]	25400 [7.4]	10600 [3.1]	14.5	12	1250 [589.9]	8050498
RA1336AC1	R802VA075421ZSA	RCF3621MTAM	36000 [10.6]	25400 [7.4]	10600 [3.1]	14.5	12	1075 [507.3]	7982376
		RCF3621STAM	35800 [10.5]	26400 [7.7]	9400 [2.8]	13.5	11.5	1200 [566.3]	7982383
		RCF3624HTAM	36000 [10.6]	25400 [7.4]	10600 [3.1]	15	12.5	1075 [507.3]	7982387
		RCF3624MTAM	36000 [10.6]	25400 [7.4]	10600 [3.1]	14.5	12	1075 [507.3]	7982392
RA1336AC1	R802VA075421ZXA	RCF3621MTAM	36000 [10.6]	25400 [7.4]	10600 [3.1]	14.5	12	1075 [507.3]	8050457
		RCF3621STAM	35800 [10.5]	26400 [7.7]	9400 [2.8]	13.5	11.5	1200 [566.3]	8050473
		RCF3624HTAM	36000 [10.6]	25400 [7.4]	10600 [3.1]	15	12.5	1075 [507.3]	8050486
		RCF3624MTAM	36000 [10.6]	25400 [7.4]	10600 [3.1]	14.5	12	1075 [507.3]	8050499
RA1336AC1	R802VA100521MSA	RCF3621HTAM	36000 [10.6]	25400 [7.4]	10600 [3.1]	15.1	12.5	1250 [589.9]	8086551
		RCF3621MTAM	36000 [10.6]	25400 [7.4]	10600 [3.1]	14.5	12	1250 [589.9]	7982377
		RCF3621STAM	36000 [10.6]	25400 [7.4]	10600 [3.1]	14	11.5	1250 [589.9]	7982384
		RCF3624HTAM	36000 [10.6]	25400 [7.4]	10600 [3.1]	15.1	12.5	1250 [589.9]	7982388
		RCF3624MTAM	36000 [10.6]	25400 [7.4]	10600 [3.1]	14.5	12	1250 [589.9]	7982393
RA1336AC1	R802VA100521MXA	RCF3621MTAM	36000 [10.6]	25400 [7.4]	10600 [3.1]	14.5	12	1250 [589.9]	8050458
		RCF3621STAM	36000 [10.6]	25400 [7.4]	10600 [3.1]	14	11.5	1250 [589.9]	8050474
		RCF3624HTAM	36000 [10.6]	25400 [7.4]	10600 [3.1]	15.1	12.5	1250 [589.9]	8050487
		RCF3624MTAM	36000 [10.6]	25400 [7.4]	10600 [3.1]	14.5	12	1250 [589.9]	8050500
RA1336AC1	R802VA100521ZSA	RCF3621MTAM	36000 [10.6]	25400 [7.4]	10600 [3.1]	14.5	12	1200 [566.3]	7982378
		RCF3621STAM	36000 [10.6]	25400 [7.4]	10600 [3.1]	13.5	11.5	1250 [589.9]	7982385
		RCF3624HTAM	36000 [10.6]	25400 [7.4]	10600 [3.1]	15	12.5	1250 [589.9]	7982389
		RCF3624MTAM	36000 [10.6]	25400 [7.4]	10600 [3.1]	14.5	12	1200 [566.3]	7982394

[] Designates Metric Conversions

Performance Data @ AHRI Standard Conditions – Cooling (con't.)

R802V: Prestige 2-Stage 80% ECM Furnace Ratings									
Outdoor Unit	Furnace	Indoor Coil	Total Capacity BTU/H [kW]	Net Sensible BTU/H [kW]	Net Latent BTU/H [kW]	SEER	EER	Indoor CFM [L/s]	AHRI#
RA1336AC1	R802VA100521ZXA	RCF3621MTAM	36000 [10.6]	25400 [7.4]	10600 [3.1]	14.5	12	1200 [566.3]	8050459
		RCF3621STAM	36000 [10.6]	25400 [7.4]	10600 [3.1]	13.5	11.5	1250 [589.9]	8050475
		RCF3624HTAM	36000 [10.6]	25400 [7.4]	10600 [3.1]	15	12.5	1250 [589.9]	8050488
		RCF3624MTAM	36000 [10.6]	25400 [7.4]	10600 [3.1]	14.5	12	1200 [566.3]	8050501
RA1336AC1	R802VA125524MSA	RCF3624HTAM	36000 [10.6]	25400 [7.4]	10600 [3.1]	15.5	13	1000 [471.9]	7982390
		RCF3624MTAM	36000 [10.6]	25400 [7.4]	10600 [3.1]	15	12.5	1000 [471.9]	7982395
RA1336AC1	R802VA125524MXA	RCF3624HTAM	36000 [10.6]	25400 [7.4]	10600 [3.1]	15.5	13	1000 [471.9]	8050489
		RCF3624MTAM	36000 [10.6]	25400 [7.4]	10600 [3.1]	15	12.5	1000 [471.9]	8050502
RA1336AC1	R802VA125524ZSA	RCF3624HTAM	36000 [10.6]	25400 [7.4]	10600 [3.1]	15.1	12.5	1250 [589.9]	7982391
		RCF3624MTAM	36000 [10.6]	25400 [7.4]	10600 [3.1]	14.5	12	1250 [589.9]	7982396
RA1336AC1	R802VA125524ZXA	RCF3624HTAM	36000 [10.6]	25400 [7.4]	10600 [3.1]	15.1	12.5	1250 [589.9]	8050490
		RCF3624MTAM	36000 [10.6]	25400 [7.4]	10600 [3.1]	14.5	12	1250 [589.9]	8050503
RA1336AJ1	R802VA050317MSA	RCF3617STAM	34400 [10.1]	24100 [7.1]	10300 [3.0]	13	11.5	975 [460.1]	7982426
		RCF3621HTAM	36000 [10.6]	25400 [7.4]	10600 [3.1]	14.5	12	975 [460.1]	8086575
		RCF3621MTAM	36000 [10.6]	25400 [7.4]	10600 [3.1]	14	11.5	975 [460.1]	7982430
		RCF3621STAM	34600 [10.1]	24300 [7.1]	10300 [3.0]	13	11.5	975 [460.1]	7982437
RA1336AJ1	R802VA050317MXA	RCF3617STAM	34400 [10.1]	24100 [7.1]	10300 [3.0]	13	11.5	975 [460.1]	8050587
		RCF3621MTAM	36000 [10.6]	25400 [7.4]	10600 [3.1]	14	11.5	975 [460.1]	8050598
		RCF3621STAM	34600 [10.1]	24300 [7.1]	10300 [3.0]	13	11.5	975 [460.1]	8050615
RA1336AJ1	R802VA075317MSA	RCF3617STAM	35600 [10.4]	26000 [7.6]	9600 [2.8]	13.5	11.5	1150 [542.7]	7982427
		RCF3621HTAM	36000 [10.6]	25400 [7.4]	10600 [3.1]	15	12.5	975 [460.1]	8086576
		RCF3621MTAM	36000 [10.6]	25400 [7.4]	10600 [3.1]	14.5	12	1075 [507.3]	7982431
		RCF3621STAM	35600 [10.4]	26000 [7.6]	9600 [2.8]	13.5	11.5	1150 [542.7]	7982438
RA1336AJ1	R802VA075317MXA	RCF3617STAM	35600 [10.4]	26000 [7.6]	9600 [2.8]	13.5	11.5	1150 [542.7]	8050588
		RCF3621MTAM	36000 [10.6]	25400 [7.4]	10600 [3.1]	14.5	12	1075 [507.3]	8050599
		RCF3621STAM	35600 [10.4]	26000 [7.6]	9600 [2.8]	13.5	11.5	1150 [542.7]	8050616
RA1336AJ1	R802VA075317ZSA	RCF3617STAM	35000 [10.3]	25000 [7.3]	10000 [2.9]	13.5	11.5	1050 [495.5]	7982428
		RCF3621MTAM	36000 [10.6]	25400 [7.4]	10600 [3.1]	14.5	12	1000 [471.9]	7982432
		RCF3621STAM	35200 [10.3]	25400 [7.4]	9800 [2.9]	13.5	11.5	1100 [519.1]	7982439
RA1336AJ1	R802VA075317ZXA	RCF3617STAM	35000 [10.3]	25000 [7.3]	10000 [2.9]	13.5	11.5	1050 [495.5]	8050589
		RCF3621MTAM	36000 [10.6]	25400 [7.4]	10600 [3.1]	14.5	12	1000 [471.9]	8050600
		RCF3621STAM	35200 [10.3]	25400 [7.4]	9800 [2.9]	13.5	11.5	1100 [519.1]	8050617
RA1336AJ1	R802VA075421MSA	RCF3621HTAM	36000 [10.6]	25400 [7.4]	10600 [3.1]	15.1	12.5	1000 [471.9]	8086577
		RCF3621MTAM	36000 [10.6]	25400 [7.4]	10600 [3.1]	14.5	12	1250 [589.9]	8049077
		RCF3621STAM	35400 [10.4]	25600 [7.5]	9800 [2.9]	14	11.5	1100 [519.1]	8049081
		RCF3624HTAM	36000 [10.6]	25400 [7.4]	10600 [3.1]	15.1	12.5	1250 [589.9]	8049085
		RCF3624MTAM	36000 [10.6]	25400 [7.4]	10600 [3.1]	14.5	12	1250 [589.9]	8049087
RA1336AJ1	R802VA075421MXA	RCF3621HTAM	36000 [10.6]	25400 [7.4]	10600 [3.1]	15.1	12.5	1000 [471.9]	8086578
		RCF3621MTAM	36000 [10.6]	25400 [7.4]	10600 [3.1]	14.5	12	1250 [589.9]	8050601
		RCF3621STAM	35400 [10.4]	25600 [7.5]	9800 [2.9]	14	11.5	1100 [519.1]	8050618
		RCF3624HTAM	36000 [10.6]	25400 [7.4]	10600 [3.1]	15.1	12.5	1250 [589.9]	8050635
		RCF3624MTAM	36000 [10.6]	25400 [7.4]	10600 [3.1]	14.5	12	1250 [589.9]	8050669
RA1336AJ1	R802VA075421ZSA	RCF3621MTAM	36000 [10.6]	25400 [7.4]	10600 [3.1]	14.5	12	1075 [507.3]	7982433
		RCF3621STAM	35800 [10.5]	26400 [7.7]	9400 [2.8]	13.5	11.5	1200 [566.3]	7982440
		RCF3624HTAM	36000 [10.6]	25400 [7.4]	10600 [3.1]	15	12.5	1075 [507.3]	7982444
		RCF3624MTAM	36000 [10.6]	25400 [7.4]	10600 [3.1]	14.5	12	1075 [507.3]	7982449

[] Designates Metric Conversions

Performance Data @ AHRI Standard Conditions – Cooling (con't.)

R802V: Prestige 2-Stage 80% ECM Furnace Ratings									
Outdoor Unit	Furnace	Indoor Coil	Total Capacity BTU/H [kW]	Net Sensible BTU/H [kW]	Net Latent BTU/H [kW]	SEER	EER	Indoor CFM [L/s]	AHRI#
RA1336AJ1	R802VA075421ZXA	RCF3621MTAM	36000 [10.6]	25400 [7.4]	10600 [3.1]	14.5	12	1075 [507.3]	8050602
		RCF3621STAM	35800 [10.5]	26400 [7.7]	9400 [2.8]	13.5	11.5	1200 [566.3]	8050619
		RCF3624HTAM	36000 [10.6]	25400 [7.4]	10600 [3.1]	15	12.5	1075 [507.3]	8050637
		RCF3624MTAM	36000 [10.6]	25400 [7.4]	10600 [3.1]	14.5	12	1075 [507.3]	8050672
RA1336AJ1	R802VA100521MSA	RCF3621HTAM	36000 [10.6]	25400 [7.4]	10600 [3.1]	15.1	12.5	1250 [589.9]	8086579
		RCF3621MTAM	36000 [10.6]	25400 [7.4]	10600 [3.1]	14.5	12	1250 [589.9]	7982434
		RCF3621STAM	36000 [10.6]	25400 [7.4]	10600 [3.1]	14	11.5	1250 [589.9]	7982441
		RCF3624HTAM	36000 [10.6]	25400 [7.4]	10600 [3.1]	15.1	12.5	1250 [589.9]	7982445
		RCF3624MTAM	36000 [10.6]	25400 [7.4]	10600 [3.1]	14.5	12	1250 [589.9]	7982450
RA1336AJ1	R802VA100521MXA	RCF3621MTAM	36000 [10.6]	25400 [7.4]	10600 [3.1]	14.5	12	1250 [589.9]	8050603
		RCF3621STAM	36000 [10.6]	25400 [7.4]	10600 [3.1]	14	11.5	1250 [589.9]	8050620
		RCF3624HTAM	36000 [10.6]	25400 [7.4]	10600 [3.1]	15.1	12.5	1250 [589.9]	8050640
		RCF3624MTAM	36000 [10.6]	25400 [7.4]	10600 [3.1]	14.5	12	1250 [589.9]	8050674
RA1336AJ1	R802VA100521ZSA	RCF3621MTAM	36000 [10.6]	25400 [7.4]	10600 [3.1]	14.5	12	1200 [566.3]	7982435
		RCF3621STAM	36000 [10.6]	25400 [7.4]	10600 [3.1]	13.5	11.5	1250 [589.9]	7982442
		RCF3624HTAM	36000 [10.6]	25400 [7.4]	10600 [3.1]	15	12.5	1250 [589.9]	7982446
		RCF3624MTAM	36000 [10.6]	25400 [7.4]	10600 [3.1]	14.5	12	1200 [566.3]	7982451
RA1336AJ1	R802VA100521ZXA	RCF3621MTAM	36000 [10.6]	25400 [7.4]	10600 [3.1]	14.5	12	1200 [566.3]	8050604
		RCF3621STAM	36000 [10.6]	25400 [7.4]	10600 [3.1]	13.5	11.5	1250 [589.9]	8050621
		RCF3624HTAM	36000 [10.6]	25400 [7.4]	10600 [3.1]	15	12.5	1250 [589.9]	8050642
		RCF3624MTAM	36000 [10.6]	25400 [7.4]	10600 [3.1]	14.5	12	1200 [566.3]	8050676
RA1336AJ1	R802VA125524MSA	RCF3624HTAM	36000 [10.6]	25400 [7.4]	10600 [3.1]	15.5	13	1000 [471.9]	7982447
		RCF3624MTAM	36000 [10.6]	25400 [7.4]	10600 [3.1]	15	12.5	1000 [471.9]	7982452
RA1336AJ1	R802VA125524MXA	RCF3624HTAM	36000 [10.6]	25400 [7.4]	10600 [3.1]	15.5	13	1000 [471.9]	8050644
		RCF3624MTAM	36000 [10.6]	25400 [7.4]	10600 [3.1]	15	12.5	1000 [471.9]	8050679
RA1336AJ1	R802VA125524ZSA	RCF3624HTAM	36000 [10.6]	25400 [7.4]	10600 [3.1]	15.1	12.5	1250 [589.9]	7982448
		RCF3624MTAM	36000 [10.6]	25400 [7.4]	10600 [3.1]	14.5	12	1250 [589.9]	7982453
RA1336AJ1	R802VA125524ZXA	RCF3624HTAM	36000 [10.6]	25400 [7.4]	10600 [3.1]	15.1	12.5	1250 [589.9]	8050647
		RCF3624MTAM	36000 [10.6]	25400 [7.4]	10600 [3.1]	14.5	12	1250 [589.9]	8050681
RA1342AC1	R802VA050317MSA	RCF4821MTAM	40000 [11.7]	26600 [7.8]	13400 [3.9]	13.5	11.5	1100 [519.1]	8086605
		RCF4821STAM	39000 [11.4]	27200 [8.0]	11800 [3.5]	13	11.5	1100 [519.1]	7982513
RA1342AC1	R802VA050317MXA	RCF4821STAM	39000 [11.4]	27200 [8.0]	11800 [3.5]	13	11.5	1100 [519.1]	8050911
RA1342AC1	R802VA075317MSA	RCF4821MTAM	40500 [11.9]	27400 [8.0]	13100 [3.8]	14	11.5	1150 [542.7]	8086606
		RCF4821STAM	39500 [11.6]	27900 [8.2]	11600 [3.4]	13.5	11.5	1150 [542.7]	7982515
RA1342AC1	R802VA075317MXA	RCF4821STAM	39500 [11.6]	27900 [8.2]	11600 [3.4]	13.5	11.5	1150 [542.7]	8050913
RA1342AC1	R802VA075317ZSA	RCF4821MTAM	41000 [12.0]	28800 [8.4]	12200 [3.6]	13.5	11.5	1325 [625.3]	8086607
		RCF4821STAM	39500 [11.6]	28200 [8.3]	11300 [3.3]	13.5	11.5	1200 [566.3]	7982517
RA1342AC1	R802VA075317ZXA	RCF4821STAM	39500 [11.6]	28200 [8.3]	11300 [3.3]	13.5	11.5	1200 [566.3]	8050916
RA1342AC1	R802VA075421MSA	RCF4821MTAM	42000 [12.3]	30700 [9.0]	11300 [3.3]	14	11.5	1475 [696.1]	8086608
		RCF4821STAM	40000 [11.7]	29000 [8.5]	11000 [3.2]	14	11.5	1250 [589.9]	8049109
		RCF4824HTAM	41500 [12.2]	28600 [8.4]	12900 [3.8]	14.5	12	1250 [589.9]	8049115
		RCF4824STAM	40000 [11.7]	29000 [8.5]	11000 [3.2]	14	11.5	1250 [589.9]	8049120
RA1342AC1	R802VA075421MXA	RCF4821STAM	40000 [11.7]	29000 [8.5]	11000 [3.2]	14	11.5	1250 [589.9]	8050919
		RCF4824HTAM	41500 [12.2]	28600 [8.4]	12900 [3.8]	14.5	12	1250 [589.9]	8050949
		RCF4824STAM	40000 [11.7]	29000 [8.5]	11000 [3.2]	14	11.5	1250 [589.9]	8050982
RA1342AC1	R802VA075421ZSA	RCF4821MTAM	41000 [12.0]	28400 [8.3]	12600 [3.7]	14	11.5	1250 [589.9]	8086609
		RCF4821STAM	40000 [11.7]	29200 [8.6]	10800 [3.2]	13.5	11.5	1300 [613.5]	7982519
		RCF4824HTAM	42000 [12.3]	29900 [8.8]	12100 [3.5]	14	11.5	1400 [660.7]	7982525
		RCF4824STAM	40000 [11.7]	29200 [8.6]	10800 [3.2]	13.5	11.5	1300 [613.5]	7982536

[] Designates Metric Conversions



Performance Data @ AHRI Standard Conditions – Cooling (con't.)

R802V: Prestige 2-Stage 80% ECM Furnace Ratings									
Outdoor Unit	Furnace	Indoor Coil	Total Capacity BTU/H [kW]	Net Sensible BTU/H [kW]	Net Latent BTU/H [kW]	SEER	EER	Indoor CFM [L/s]	AHRI#
RA1342AC1	R802VA075421ZXA	RCF4821STAM	40000 [11.7]	29200 [8.6]	10800 [3.2]	13.5	11.5	1300 [613.5]	8050922
		RCF4824HTAM	42000 [12.3]	29900 [8.8]	12100 [3.5]	14	11.5	1400 [660.7]	8050951
		RCF4824STAM	40000 [11.7]	29200 [8.6]	10800 [3.2]	13.5	11.5	1300 [613.5]	8050985
RA1342AC1	R802VA100521MSA	RCF4821MTAM	41000 [12.0]	28400 [8.3]	12600 [3.7]	14.5	12	1250 [589.9]	8086610
		RCF4821STAM	41000 [12.0]	30800 [9.0]	10200 [3.0]	14	11.5	1400 [660.7]	7982521
		RCF4824HTAM	42000 [12.3]	31400 [9.2]	10600 [3.1]	14.5	12	1400 [660.7]	7982527
		RCF4824STAM	41000 [12.0]	30800 [9.0]	10200 [3.0]	14	11.5	1400 [660.7]	7982538
RA1342AC1	R802VA100521MXA	RCF4821STAM	41000 [12.0]	30800 [9.0]	10200 [3.0]	14	11.5	1400 [660.7]	8050924
		RCF4824HTAM	42000 [12.3]	31400 [9.2]	10600 [3.1]	14.5	12	1400 [660.7]	8050954
		RCF4824STAM	41000 [12.0]	30800 [9.0]	10200 [3.0]	14	11.5	1400 [660.7]	8050987
RA1342AC1	R802VA100521ZSA	RCF4821MTAM	41000 [12.0]	28700 [8.4]	12300 [3.6]	14	11.5	1300 [613.5]	8086611
		RCF4821STAM	41000 [12.0]	31100 [9.1]	9900 [2.9]	13.5	11.5	1450 [684.3]	7982523
		RCF4824HTAM	42000 [12.3]	31400 [9.2]	10600 [3.1]	14	11.5	1450 [684.3]	7982529
		RCF4824STAM	41000 [12.0]	31100 [9.1]	9900 [2.9]	13.5	11.5	1450 [684.3]	7982540
RA1342AC1	R802VA100521ZXA	RCF4821STAM	41000 [12.0]	31100 [9.1]	9900 [2.9]	13.5	11.5	1450 [684.3]	8050927
		RCF4824HTAM	42000 [12.3]	31400 [9.2]	10600 [3.1]	14	11.5	1450 [684.3]	8050956
		RCF4824STAM	41000 [12.0]	31100 [9.1]	9900 [2.9]	13.5	11.5	1450 [684.3]	8050990
RA1342AC1	R802VA125524MSA	RCF4824HTAM	42000 [12.3]	31400 [9.2]	10600 [3.1]	14.5	12	1425 [672.5]	7982531
		RCF4824STAM	41000 [12.0]	30800 [9.0]	10200 [3.0]	14	11.5	1425 [672.5]	7982542
RA1342AC1	R802VA125524MXA	RCF4824HTAM	42000 [12.3]	31400 [9.2]	10600 [3.1]	14.5	12	1425 [672.5]	8050959
RA1342AC1	R802VA125524ZSA	RCF4824HTAM	41500 [12.2]	28300 [8.3]	13200 [3.9]	14.5	12	1200 [566.3]	7982533
RA1342AC1	R802VA125524ZXA	RCF4824STAM	40000 [11.7]	28700 [8.4]	11300 [3.3]	14	11.5	1200 [566.3]	7982544
RA1342AC1	R802VA125524ZXA	RCF4824HTAM	41500 [12.2]	28300 [8.3]	13200 [3.9]	14.5	12	1200 [566.3]	8050961
		RCF4824STAM	40000 [11.7]	28700 [8.4]	11300 [3.3]	14	11.5	1200 [566.3]	8050995
RA1342AJ1	R802VA050317MSA	RCF4821MTAM	40000 [11.7]	26600 [7.8]	13400 [3.9]	13.5	11.5	1100 [519.1]	8086661
		RCF4821STAM	39000 [11.4]	27200 [8.0]	11800 [3.5]	13	11.5	1100 [519.1]	7982579
RA1342AJ1	R802VA050317MXA	RCF4821STAM	39000 [11.4]	27200 [8.0]	11800 [3.5]	13	11.5	1100 [519.1]	8051129
RA1342AJ1	R802VA075317MSA	RCF4821MTAM	40500 [11.9]	27400 [8.0]	13100 [3.8]	14	11.5	1150 [542.7]	8086662
		RCF4821STAM	39500 [11.6]	27900 [8.2]	11600 [3.4]	13.5	11.5	1150 [542.7]	7982582
RA1342AJ1	R802VA075317MXA	RCF4821STAM	39500 [11.6]	27900 [8.2]	11600 [3.4]	13.5	11.5	1150 [542.7]	8051132
RA1342AJ1	R802VA075317ZSA	RCF4821MTAM	41000 [12.0]	28800 [8.4]	12200 [3.6]	13.5	11.5	1325 [625.3]	8086663
		RCF4821STAM	39500 [11.6]	28200 [8.3]	11300 [3.3]	13.5	11.5	1200 [566.3]	7982584
RA1342AJ1	R802VA075317ZXA	RCF4821STAM	39500 [11.6]	28200 [8.3]	11300 [3.3]	13.5	11.5	1200 [566.3]	8051134
RA1342AJ1	R802VA075421MSA	RCF4821MTAM	42000 [12.3]	30700 [9.0]	11300 [3.3]	14	11.5	1475 [696.1]	8086664
		RCF4821STAM	40000 [11.7]	29000 [8.5]	11000 [3.2]	14	11.5	1250 [589.9]	8049141
		RCF4824HTAM	41500 [12.2]	28600 [8.4]	12900 [3.8]	14.5	12	1250 [589.9]	8049147
		RCF4824STAM	40000 [11.7]	29000 [8.5]	11000 [3.2]	14	11.5	1250 [589.9]	8049152
RA1342AJ1	R802VA075421MXA	RCF4821STAM	40000 [11.7]	29000 [8.5]	11000 [3.2]	14	11.5	1250 [589.9]	8051137
		RCF4824HTAM	41500 [12.2]	28600 [8.4]	12900 [3.8]	14.5	12	1250 [589.9]	8051167
		RCF4824STAM	40000 [11.7]	29000 [8.5]	11000 [3.2]	14	11.5	1250 [589.9]	8051200
RA1342AJ1	R802VA075421ZSA	RCF4821MTAM	41000 [12.0]	28400 [8.3]	12600 [3.7]	14	11.5	1250 [589.9]	8086665
		RCF4821STAM	40000 [11.7]	29200 [8.6]	10800 [3.2]	13.5	11.5	1300 [613.5]	7982585
		RCF4824HTAM	42000 [12.3]	29900 [8.8]	12100 [3.5]	14	11.5	1400 [660.7]	7982591
		RCF4824STAM	40000 [11.7]	29200 [8.6]	10800 [3.2]	13.5	11.5	1300 [613.5]	7982602
RA1342AJ1	R802VA075421ZXA	RCF4821STAM	40000 [11.7]	29200 [8.6]	10800 [3.2]	13.5	11.5	1300 [613.5]	8051140
		RCF4824HTAM	42000 [12.3]	29900 [8.8]	12100 [3.5]	14	11.5	1400 [660.7]	8051169
		RCF4824STAM	40000 [11.7]	29200 [8.6]	10800 [3.2]	13.5	11.5	1300 [613.5]	8051203

[] Designates Metric Conversions

Performance Data @ AHRI Standard Conditions – Cooling (con't.)

R802V: Prestige 2-Stage 80% ECM Furnace Ratings									
Outdoor Unit	Furnace	Indoor Coil	Total Capacity BTU/H [kW]	Net Sensible BTU/H [kW]	Net Latent BTU/H [kW]	SEER	EER	Indoor CFM [L/s]	AHRI#
RA1342AJ1	R802VA100521MSA	RCF4821MTAM	41000 [12.0]	28400 [8.3]	12600 [3.7]	14.5	12	1250 [589.9]	8086666
		RCF4821STAM	41000 [12.0]	30800 [9.0]	10200 [3.0]	14	11.5	1400 [660.7]	7982587
		RCF4824HTAM	42000 [12.3]	31400 [9.2]	10600 [3.1]	14.5	12	1400 [660.7]	7982593
		RCF4824STAM	41000 [12.0]	30800 [9.0]	10200 [3.0]	14	11.5	1400 [660.7]	7982604
RA1342AJ1	R802VA100521MXA	RCF4821STAM	41000 [12.0]	30800 [9.0]	10200 [3.0]	14	11.5	1400 [660.7]	8051142
		RCF4824HTAM	42000 [12.3]	31400 [9.2]	10600 [3.1]	14.5	12	1400 [660.7]	8051171
		RCF4824STAM	41000 [12.0]	30800 [9.0]	10200 [3.0]	14	11.5	1400 [660.7]	8051205
RA1342AJ1	R802VA100521ZSA	RCF4821MTAM	41000 [12.0]	28700 [8.4]	12300 [3.6]	14	11.5	1300 [613.5]	8086667
		RCF4821STAM	41000 [12.0]	31100 [9.1]	9900 [2.9]	13.5	11.5	1450 [684.3]	7982589
		RCF4824HTAM	42000 [12.3]	31400 [9.2]	10600 [3.1]	14	11.5	1450 [684.3]	7982595
		RCF4824STAM	41000 [12.0]	31100 [9.1]	9900 [2.9]	13.5	11.5	1450 [684.3]	7982606
RA1342AJ1	R802VA100521ZXA	RCF4821STAM	41000 [12.0]	31100 [9.1]	9900 [2.9]	13.5	11.5	1450 [684.3]	8051145
		RCF4824HTAM	42000 [12.3]	31400 [9.2]	10600 [3.1]	14	11.5	1450 [684.3]	8051174
		RCF4824STAM	41000 [12.0]	31100 [9.1]	9900 [2.9]	13.5	11.5	1450 [684.3]	8051207
RA1342AJ1	R802VA125524MSA	RCF4824HTAM	42000 [12.3]	31400 [9.2]	10600 [3.1]	14.5	12	1425 [672.5]	7982597
		RCF4824STAM	41000 [12.0]	30800 [9.0]	10200 [3.0]	14	11.5	1425 [672.5]	7982608
RA1342AJ1	R802VA125524MXA	RCF4824HTAM	42000 [12.3]	31400 [9.2]	10600 [3.1]	14.5	12	1425 [672.5]	8051176
		RCF4824STAM	41000 [12.0]	30800 [9.0]	10200 [3.0]	14	11.5	1425 [672.5]	8051210
RA1342AJ1	R802VA125524ZSA	RCF4824HTAM	41500 [12.2]	28300 [8.3]	13200 [3.9]	14.5	12	1200 [566.3]	7982599
		RCF4824STAM	40000 [11.7]	28700 [8.4]	11300 [3.3]	14	11.5	1200 [566.3]	7982610
RA1342AJ1	R802VA125524ZXA	RCF4824HTAM	41500 [12.2]	28300 [8.3]	13200 [3.9]	14.5	12	1200 [566.3]	8051179
		RCF4824STAM	40000 [11.7]	28700 [8.4]	11300 [3.3]	14	11.5	1200 [566.3]	8051212
RA1348AC1	R802VA075317ZSA	RCF4821MTAM	47500 [13.9]	31300 [9.2]	16200 [4.7]	13	11.5	1325 [625.3]	8086717
RA1348AC1	R802VA075421MSA	RCF4821MTAM	48000 [14.1]	34400 [10.1]	13600 [4.0]	13.5	11.5	1550 [731.5]	8086718
		RCF4821STAM	46500 [13.6]	31600 [9.3]	14900 [4.4]	13.5	11.5	1250 [589.9]	8049174
		RCF4824HTAM	48000 [14.1]	34400 [10.1]	13600 [4.0]	14	11.5	1350 [637.1]	8049179
		RCF4824STAM	46500 [13.6]	31600 [9.3]	14900 [4.4]	13.5	11.5	1250 [589.9]	8049184
RA1348AC1	R802VA075421MXA	RCF4821STAM	46500 [13.6]	31600 [9.3]	14900 [4.4]	13.5	11.5	1250 [589.9]	8051347
		RCF4824HTAM	48000 [14.1]	34400 [10.1]	13600 [4.0]	14	11.5	1350 [637.1]	8051375
		RCF4824STAM	46500 [13.6]	31600 [9.3]	14900 [4.4]	13.5	11.5	1250 [589.9]	8051405
		RCF4821MTAM	47500 [13.9]	31200 [9.1]	16300 [4.8]	13.5	11.5	1300 [613.5]	8086719
RA1348AC1	R802VA075421ZSA	RCF4821STAM	47000 [13.8]	33000 [9.7]	14000 [4.1]	13	11.5	1400 [660.7]	7982646
		RCF4824HTAM	48000 [14.1]	34400 [10.1]	13600 [4.0]	13.5	11.5	1450 [684.3]	7982652
		RCF4824STAM	47000 [13.8]	33000 [9.7]	14000 [4.1]	13	11.5	1400 [660.7]	7982663
		RCF4821STAM	47000 [13.8]	33000 [9.7]	14000 [4.1]	13	11.5	1400 [660.7]	8051349
RA1348AC1	R802VA075421ZXA	RCF4824HTAM	48000 [14.1]	34400 [10.1]	13600 [4.0]	13.5	11.5	1450 [684.3]	8051377
		RCF4824STAM	47000 [13.8]	33000 [9.7]	14000 [4.1]	13	11.5	1400 [660.7]	8051407
		RCF4821MTAM	48000 [14.1]	34400 [10.1]	13600 [4.0]	14	11.5	1400 [660.7]	8086720
RA1348AC1	R802VA100521MSA	RCF4821STAM	47500 [13.9]	33500 [9.8]	14000 [4.1]	13.5	11.5	1400 [660.7]	7982648
		RCF4824HTAM	48000 [14.1]	34400 [10.1]	13600 [4.0]	14	11.5	1525 [719.7]	7982654
		RCF4824STAM	47500 [13.9]	33500 [9.8]	14000 [4.1]	13.5	11.5	1400 [660.7]	7982665
		RCF4821STAM	47500 [13.9]	33500 [9.8]	14000 [4.1]	13.5	11.5	1400 [660.7]	8051351
RA1348AC1	R802VA100521MXA	RCF4824HTAM	48000 [14.1]	34400 [10.1]	13600 [4.0]	14	11.5	1525 [719.7]	8051379
		RCF4824STAM	47500 [13.9]	33500 [9.8]	14000 [4.1]	13.5	11.5	1400 [660.7]	8051409
		RCF4821MTAM	48000 [14.1]	34400 [10.1]	13600 [4.0]	13.5	11.5	1500 [707.9]	8086721
RA1348AC1	R802VA100521ZSA	RCF4821STAM	47500 [13.9]	34500 [10.1]	13000 [3.8]	13	11.5	1550 [731.5]	7982650
		RCF4824HTAM	48000 [14.1]	34400 [10.1]	13600 [4.0]	13.5	11.5	1600 [755.1]	7982657
		RCF4824STAM	47500 [13.9]	34500 [10.1]	13000 [3.8]	13	11.5	1550 [731.5]	7982667

[] Designates Metric Conversions



Performance Data @ AHRI Standard Conditions – Cooling (con't.)

R802V: Prestige 2-Stage 80% ECM Furnace Ratings									
Outdoor Unit	Furnace	Indoor Coil	Total Capacity BTU/H [kW]	Net Sensible BTU/H [kW]	Net Latent BTU/H [kW]	SEER	EER	Indoor CFM [L/s]	AHRI#
RA1348AC1	R802VA100521ZXA	RCF4821STAM	47500 [13.9]	34500 [10.1]	13000 [3.8]	13	11.5	1550 [731.5]	8051354
		RCF4824HTAM	48000 [14.1]	34400 [10.1]	13600 [4.0]	13.5	11.5	1600 [755.1]	8051381
		RCF4824STAM	47500 [13.9]	34500 [10.1]	13000 [3.8]	13	11.5	1550 [731.5]	8051412
RA1348AC1	R802VA125524MSA	RCF4824HTAM	48000 [14.1]	34400 [10.1]	13600 [4.0]	14	11.5	1575 [743.3]	7982659
		RCF4824STAM	48000 [14.1]	34800 [10.2]	13200 [3.9]	13.5	11.5	1525 [719.7]	7982670
RA1348AC1	R802VA125524MXA	RCF4824HTAM	48000 [14.1]	34400 [10.1]	13600 [4.0]	14	11.5	1575 [743.3]	8051383
		RCF4824STAM	48000 [14.1]	34800 [10.2]	13200 [3.9]	13.5	11.5	1525 [719.7]	8051414
RA1348AC1	R802VA125524ZSA	RCF4824HTAM	48000 [14.1]	34400 [10.1]	13600 [4.0]	14	11.5	1325 [625.3]	7982661
		RCF4824STAM	46500 [13.6]	31600 [9.3]	14900 [4.4]	13.5	11.5	1250 [589.9]	7982672
RA1348AC1	R802VA125524ZXA	RCF4824HTAM	48000 [14.1]	34400 [10.1]	13600 [4.0]	14	11.5	1325 [625.3]	8051386
		RCF4824STAM	46500 [13.6]	31600 [9.3]	14900 [4.4]	13.5	11.5	1250 [589.9]	8051416
RA1348AJ1	R802VA075317ZSA	RCF4821MTAM	47500 [13.9]	31300 [9.2]	16200 [4.7]	13	11.5	1325 [625.3]	8086753
RA1348AJ1	R802VA075421MSA	RCF4821MTAM	48000 [14.1]	34400 [10.1]	13600 [4.0]	13.5	11.5	1550 [731.5]	8086754
		RCF4821STAM	46500 [13.6]	31600 [9.3]	14900 [4.4]	13.5	11.5	1250 [589.9]	8049209
		RCF4824HTAM	48000 [14.1]	34400 [10.1]	13600 [4.0]	14	11.5	1350 [637.1]	8049214
		RCF4824STAM	46500 [13.6]	31600 [9.3]	14900 [4.4]	13.5	11.5	1250 [589.9]	8049219
RA1348AJ1	R802VA075421MXA	RCF4821STAM	46500 [13.6]	31600 [9.3]	14900 [4.4]	13.5	11.5	1250 [589.9]	8051528
		RCF4824HTAM	48000 [14.1]	34400 [10.1]	13600 [4.0]	14	11.5	1350 [637.1]	8051556
		RCF4824STAM	46500 [13.6]	31600 [9.3]	14900 [4.4]	13.5	11.5	1250 [589.9]	8051570
RA1348AJ1	R802VA075421ZSA	RCF4821MTAM	47500 [13.9]	31200 [9.1]	16300 [4.8]	13.5	11.5	1300 [613.5]	8086755
		RCF4821STAM	47000 [13.8]	33000 [9.7]	14000 [4.1]	13	11.5	1400 [660.7]	7982703
		RCF4824HTAM	48000 [14.1]	34400 [10.1]	13600 [4.0]	13.5	11.5	1450 [684.3]	7982712
		RCF4824STAM	47000 [13.8]	33000 [9.7]	14000 [4.1]	13	11.5	1400 [660.7]	7982724
RA1348AJ1	R802VA075421ZXA	RCF4821STAM	47000 [13.8]	33000 [9.7]	14000 [4.1]	13	11.5	1400 [660.7]	8051530
		RCF4824HTAM	48000 [14.1]	34400 [10.1]	13600 [4.0]	13.5	11.5	1450 [684.3]	8051559
		RCF4824STAM	47000 [13.8]	33000 [9.7]	14000 [4.1]	13	11.5	1400 [660.7]	8051571
RA1348AJ1	R802VA100521MSA	RCF4821MTAM	48000 [14.1]	34400 [10.1]	13600 [4.0]	14	11.5	1400 [660.7]	8086756
		RCF4821STAM	47500 [13.9]	33500 [9.8]	14000 [4.1]	13.5	11.5	1400 [660.7]	7982706
		RCF4824HTAM	48000 [14.1]	34400 [10.1]	13600 [4.0]	14	11.5	1525 [719.7]	7982714
		RCF4824STAM	47500 [13.9]	33500 [9.8]	14000 [4.1]	13.5	11.5	1400 [660.7]	7982727
RA1348AJ1	R802VA100521MXA	RCF4821STAM	47500 [13.9]	33500 [9.8]	14000 [4.1]	13.5	11.5	1400 [660.7]	8051533
		RCF4824HTAM	48000 [14.1]	34400 [10.1]	13600 [4.0]	14	11.5	1525 [719.7]	8051560
		RCF4824STAM	47500 [13.9]	33500 [9.8]	14000 [4.1]	13.5	11.5	1400 [660.7]	8051572
RA1348AJ1	R802VA100521ZSA	RCF4821MTAM	48000 [14.1]	34400 [10.1]	13600 [4.0]	13.5	11.5	1500 [707.9]	8086757
		RCF4821STAM	47500 [13.9]	34500 [10.1]	13000 [3.8]	13	11.5	1550 [731.5]	7982709
		RCF4824HTAM	48000 [14.1]	34400 [10.1]	13600 [4.0]	13.5	11.5	1600 [755.1]	7982716
		RCF4824STAM	47500 [13.9]	34500 [10.1]	13000 [3.8]	13	11.5	1550 [731.5]	7982730
RA1348AJ1	R802VA100521ZXA	RCF4821STAM	47500 [13.9]	34500 [10.1]	13000 [3.8]	13	11.5	1550 [731.5]	8051535
		RCF4824HTAM	48000 [14.1]	34400 [10.1]	13600 [4.0]	13.5	11.5	1600 [755.1]	8051561
		RCF4824STAM	47500 [13.9]	34500 [10.1]	13000 [3.8]	13	11.5	1550 [731.5]	8051573
RA1348AJ1	R802VA125524MSA	RCF4824HTAM	48000 [14.1]	34400 [10.1]	13600 [4.0]	14	11.5	1575 [743.3]	7982718
		RCF4824STAM	48000 [14.1]	34800 [10.2]	13200 [3.9]	13.5	11.5	1525 [719.7]	7982733
RA1348AJ1	R802VA125524MXA	RCF4824HTAM	48000 [14.1]	34400 [10.1]	13600 [4.0]	14	11.5	1575 [743.3]	8051562
		RCF4824STAM	48000 [14.1]	34800 [10.2]	13200 [3.9]	13.5	11.5	1525 [719.7]	8051574
RA1348AJ1	R802VA125524ZSA	RCF4824HTAM	48000 [14.1]	34400 [10.1]	13600 [4.0]	14	11.5	1325 [625.3]	7982721
		RCF4824STAM	46500 [13.6]	31600 [9.3]	14900 [4.4]	13.5	11.5	1250 [589.9]	7982735
RA1348AJ1	R802VA125524ZXA	RCF4824HTAM	48000 [14.1]	34400 [10.1]	13600 [4.0]	14	11.5	1325 [625.3]	8051563
		RCF4824STAM	46500 [13.6]	31600 [9.3]	14900 [4.4]	13.5	11.5	1250 [589.9]	8051575

[] Designates Metric Conversions

Performance Data @ AHRI Standard Conditions – Cooling (con't.)

R802V: Prestige 2-Stage 80% ECM Furnace Ratings									
Outdoor Unit	Furnace	Indoor Coil	Total Capacity BTU/H [kW]	Net Sensible BTU/H [kW]	Net Latent BTU/H [kW]	SEER	EER	Indoor CFM [L/s]	AHRI#
RA1360AC1	R802VA075421MSA	RCF6021STAM	55500 [16.3]	37700 [11.0]	17800 [5.2]	13	11	1600 [755.1]	8086787
		RCF6024HTAM	56500 [16.6]	39800 [11.7]	16700 [4.9]	13.5	11.5	1550 [731.5]	8049245
		RCF6024STAM	56500 [16.6]	39800 [11.7]	16700 [4.9]	13.5	11.5	1550 [731.5]	8049250
RA1360AC1	R802VA075421MXA	RCF6021STAM	55500 [16.3]	37700 [11.0]	17800 [5.2]	13	11	1600 [755.1]	8086788
		RCF6024HTAM	56500 [16.6]	39800 [11.7]	16700 [4.9]	13.5	11.5	1550 [731.5]	8051632
		RCF6024STAM	56500 [16.6]	39800 [11.7]	16700 [4.9]	13.5	11.5	1550 [731.5]	8051652
RA1360AC1	R802VA075421ZSA	RCF6024HTAM	56000 [16.4]	39600 [11.6]	16400 [4.8]	13	11	1600 [755.1]	7982767
		RCF6024STAM	56000 [16.4]	39600 [11.6]	16400 [4.8]	13	11	1600 [755.1]	7982777
RA1360AC1	R802VA075421ZXA	RCF6024HTAM	56000 [16.4]	39600 [11.6]	16400 [4.8]	13	11	1600 [755.1]	8051634
		RCF6024STAM	56000 [16.4]	39600 [11.6]	16400 [4.8]	13	11	1600 [755.1]	8051653
RA1360AC1	R802VA100521MSA	RCF6021STAM	54000 [15.8]	35100 [10.3]	18900 [5.5]	13.5	11	1400 [660.7]	8086789
		RCF6024HTAM	57000 [16.7]	40500 [11.9]	16500 [4.8]	13.5	11.5	1575 [743.3]	7982769
		RCF6024STAM	57000 [16.7]	40500 [11.9]	16500 [4.8]	13.5	11.5	1575 [743.3]	7982780
RA1360AC1	R802VA100521MXA	RCF6024HTAM	57000 [16.7]	40500 [11.9]	16500 [4.8]	13.5	11.5	1575 [743.3]	8051637
		RCF6024STAM	57000 [16.7]	40500 [11.9]	16500 [4.8]	13.5	11.5	1575 [743.3]	8051654
RA1360AC1	R802VA100521ZSA	RCF6024HTAM	55500 [16.3]	37700 [11.0]	17800 [5.2]	13.5	11.5	1400 [660.7]	7982771
		RCF6024STAM	55500 [16.3]	37700 [11.0]	17800 [5.2]	13.5	11.5	1400 [660.7]	7982782
RA1360AC1	R802VA100521ZXA	RCF6024HTAM	55500 [16.3]	37700 [11.0]	17800 [5.2]	13.5	11.5	1400 [660.7]	8051639
		RCF6024STAM	55500 [16.3]	37700 [11.0]	17800 [5.2]	13.5	11.5	1400 [660.7]	8051655
RA1360AC1	R802VA125524MSA	RCF6024HTAM	57500 [16.9]	42600 [12.5]	14900 [4.4]	13.5	11.5	1775 [837.7]	7982773
		RCF6024STAM	57500 [16.9]	42600 [12.5]	14900 [4.4]	13.5	11.5	1775 [837.7]	7982784
RA1360AC1	R802VA125524MXA	RCF6024HTAM	57500 [16.9]	42600 [12.5]	14900 [4.4]	13.5	11.5	1775 [837.7]	8051641
		RCF6024STAM	57500 [16.9]	42600 [12.5]	14900 [4.4]	13.5	11.5	1775 [837.7]	8051656
RA1360AC1	R802VA125524ZSA	RCF6024HTAM	56000 [16.4]	38900 [11.4]	17100 [5.0]	13.5	11.5	1500 [707.9]	7982775
		RCF6024STAM	56000 [16.4]	38900 [11.4]	17100 [5.0]	13.5	11.5	1500 [707.9]	7982786
RA1360AC1	R802VA125524ZXA	RCF6024HTAM	56000 [16.4]	38900 [11.4]	17100 [5.0]	13.5	11.5	1500 [707.9]	8051643
		RCF6024STAM	56000 [16.4]	38900 [11.4]	17100 [5.0]	13.5	11.5	1500 [707.9]	8051657
RA1360AJ1	R802VA075421MSA	RCF6021STAM	55500 [16.3]	37700 [11.0]	17800 [5.2]	13	11	1600 [755.1]	8086805
		RCF6024HTAM	56500 [16.6]	39800 [11.7]	16700 [4.9]	13.5	11.5	1550 [731.5]	8049276
		RCF6024STAM	56500 [16.6]	39800 [11.7]	16700 [4.9]	13.5	11.5	1550 [731.5]	8049281
RA1360AJ1	R802VA075421MXA	RCF6021STAM	55500 [16.3]	37700 [11.0]	17800 [5.2]	13	11	1600 [755.1]	8086806
		RCF6024HTAM	56500 [16.6]	39800 [11.7]	16700 [4.9]	13.5	11.5	1550 [731.5]	8051694
		RCF6024STAM	56500 [16.6]	39800 [11.7]	16700 [4.9]	13.5	11.5	1550 [731.5]	8051706
RA1360AJ1	R802VA075421ZSA	RCF6024HTAM	56000 [16.4]	39600 [11.6]	16400 [4.8]	13	11	1600 [755.1]	7982813
		RCF6024STAM	56000 [16.4]	39600 [11.6]	16400 [4.8]	13	11	1600 [755.1]	7982824
RA1360AJ1	R802VA075421ZXA	RCF6024HTAM	56000 [16.4]	39600 [11.6]	16400 [4.8]	13	11	1600 [755.1]	8051695
		RCF6024STAM	56000 [16.4]	39600 [11.6]	16400 [4.8]	13	11	1600 [755.1]	8051707
RA1360AJ1	R802VA100521MSA	RCF6021STAM	54000 [15.8]	35100 [10.3]	18900 [5.5]	13.5	11	1400 [660.7]	8086807
		RCF6024HTAM	57000 [16.7]	40500 [11.9]	16500 [4.8]	13.5	11.5	1575 [743.3]	7982815
		RCF6024STAM	57000 [16.7]	40500 [11.9]	16500 [4.8]	13.5	11.5	1575 [743.3]	7982826
RA1360AJ1	R802VA100521MXA	RCF6024HTAM	57000 [16.7]	40500 [11.9]	16500 [4.8]	13.5	11.5	1575 [743.3]	8051696
		RCF6024STAM	57000 [16.7]	40500 [11.9]	16500 [4.8]	13.5	11.5	1575 [743.3]	8051708
RA1360AJ1	R802VA100521ZSA	RCF6024HTAM	55500 [16.3]	37700 [11.0]	17800 [5.2]	13.5	11.5	1400 [660.7]	7982818
		RCF6024STAM	55500 [16.3]	37700 [11.0]	17800 [5.2]	13.5	11.5	1400 [660.7]	7982828
RA1360AJ1	R802VA100521ZXA	RCF6024HTAM	55500 [16.3]	37700 [11.0]	17800 [5.2]	13.5	11.5	1400 [660.7]	8051697
		RCF6024STAM	55500 [16.3]	37700 [11.0]	17800 [5.2]	13.5	11.5	1400 [660.7]	8051709
RA1360AJ1	R802VA125524MSA	RCF6024HTAM	57500 [16.9]	42600 [12.5]	14900 [4.4]	13.5	11.5	1775 [837.7]	7982820
		RCF6024STAM	57500 [16.9]	42600 [12.5]	14900 [4.4]	13.5	11.5	1775 [837.7]	7982831

[] Designates Metric Conversions

Performance Data @ AHRI Standard Conditions – Cooling (con't.)

R802V: Prestige 2-Stage 80% ECM Furnace Ratings									
Outdoor Unit	Furnace	Indoor Coil	Total Capacity BTU/H [kW]	Net Sensible BTU/H [kW]	Net Latent BTU/H [kW]	SEER	EER	Indoor CFM [L/s]	AHRI#
RA1360AJ1	R802VA125524MXA	RCF6024HTAM	57500 [16.9]	42600 [12.5]	14900 [4.4]	13.5	11.5	1775 [837.7]	8051698
		RCF6024STAM	57500 [16.9]	42600 [12.5]	14900 [4.4]	13.5	11.5	1775 [837.7]	8051710
RA1360AJ1	R802VA125524ZSA	RCF6024HTAM	56000 [16.4]	38900 [11.4]	17100 [5.0]	13.5	11.5	1500 [707.9]	7982822
		RCF6024STAM	56000 [16.4]	38900 [11.4]	17100 [5.0]	13.5	11.5	1500 [707.9]	7982833
RA1360AJ1	R802VA125524ZXA	RCF6024HTAM	56000 [16.4]	38900 [11.4]	17100 [5.0]	13.5	11.5	1500 [707.9]	8051699
		RCF6024STAM	56000 [16.4]	38900 [11.4]	17100 [5.0]	13.5	11.5	1500 [707.9]	8051711

[] Designates Metric Conversions

Performance Data @ AHRI Standard Conditions – Cooling (con't.)

R95T: 95% AFUE single-stage Constant Torque Multipoise Gas Furnace Ratings									
Outdoor Unit	Furnace	Indoor Coil	Total Capacity BTU/H [kW]	Net Sensible BTU/H [kW]	Net Latent BTU/H [kW]	SEER	EER	Indoor CFM [L/s]	AHRI#
RA1318AJ1	R95TA0401317MSA	RCF2417HTAM	18000 [5.3]	12900 [3.8]	5100 [1.5]	14.5	12	650 [306.8]	7507411
		RCF2417MTAM	18000 [5.3]	12900 [3.8]	5100 [1.5]	14.5	12	650 [306.8]	7507426
		RCF2417STAM	18000 [5.3]	13600 [4.0]	4400 [1.3]	14.5	12	650 [306.8]	7507442
		RCF2421MTAM	18000 [5.3]	12900 [3.8]	5100 [1.5]	14.5	12	650 [306.8]	7507474
		RCF2421HTAM	18000 [5.3]	12900 [3.8]	5100 [1.5]	14.5	12	650 [306.8]	7507455
RA1324AJ1	R95TA0401317MSA	RCF2417HTAM	24000 [7.0]	17300 [5.1]	6700 [2.0]	14	11.5	875 [413.0]	7507615
		RCF2417MTAM	24000 [7.0]	17300 [5.1]	6700 [2.0]	14	11.5	875 [413.0]	7507633
		RCF2417STAM	24000 [7.0]	18200 [5.3]	5800 [1.7]	14	11.5	850 [401.2]	7507652
		RCF2421MTAM	24000 [7.0]	17300 [5.1]	6700 [2.0]	14	11.5	875 [413.0]	7507693
RA1324AJ1	R95TA0601317MSA	RCF2417HTAM	24000 [7.0]	17300 [5.1]	6700 [2.0]	14	11.5	850 [401.2]	7507616
		RCF2417MTAM	24000 [7.0]	17300 [5.1]	6700 [2.0]	14	11.5	850 [401.2]	7507634
		RCF2417STAM	23400 [6.9]	17200 [5.0]	6200 [1.8]	14	11.5	700 [330.4]	7507653
		RCF2421MTAM	24000 [7.0]	17300 [5.1]	6700 [2.0]	14	11.5	850 [401.2]	7507694
RA1324AJ1	R95TA0701317MSA	RCF2417HTAM	24000 [7.0]	17300 [5.1]	6700 [2.0]	14	11.5	850 [401.2]	7507617
		RCF2417MTAM	24000 [7.0]	17300 [5.1]	6700 [2.0]	14	11.5	850 [401.2]	7507635
		RCF2417STAM	24000 [7.0]	18100 [5.3]	5900 [1.7]	13.5	11.5	825 [389.4]	7507654
		RCF2421MTAM	24000 [7.0]	17300 [5.1]	6700 [2.0]	14	11.5	850 [401.2]	7507695
RA1324AJ1	R95TA0401317MSA	RCF2421HTAM	24000 [7.0]	17300 [5.1]	6700 [2.0]	14	11.5	875 [413.0]	7507668
RA1324AJ1	R95TA0601317MSA	RCF2421HTAM	24000 [7.0]	17300 [5.1]	6700 [2.0]	14	11.5	850 [401.2]	7507669
RA1324AJ1	R95TA0701317MSA	RCF2421HTAM	24000 [7.0]	17300 [5.1]	6700 [2.0]	14	11.5	850 [401.2]	7507670
RA1330AJ1	R95TA0401317MSA	RCF3617STAM	28600 [8.4]	21600 [6.3]	7000 [2.1]	14	11.5	925 [436.6]	7507850
		RCF3621HTAM	30000 [8.8]	22900 [6.7]	7100 [2.1]	15.1	12.5	1000 [471.9]	8086524
		RCF3621MTAM	30000 [8.8]	22500 [6.6]	7500 [2.2]	14.5	12	1100 [519.1]	7507870
		RCF3621STAM	28800 [8.4]	21900 [6.4]	6900 [2.0]	14	11.5	950 [448.4]	7507901
RA1330AJ1	R95TA0601317MSA	RCF3617STAM	28800 [8.4]	22100 [6.5]	6700 [2.0]	13.5	11.5	1025 [483.7]	7507851
		RCF3621HTAM	30000 [8.8]	22900 [6.7]	7100 [2.1]	14.5	12	1075 [507.3]	8086525
		RCF3621MTAM	30000 [8.8]	21700 [6.4]	8300 [2.4]	14.5	12	900 [424.8]	7507871
		RCF3621STAM	29000 [8.5]	22400 [6.6]	6600 [1.9]	13.5	11.5	1050 [495.5]	7507902
RA1330AJ1	R95TA0701317MSA	RCF3617STAM	28400 [8.3]	21400 [6.3]	7000 [2.1]	13.5	11.5	925 [436.6]	7507852
		RCF3621HTAM	30000 [8.8]	22900 [6.7]	7100 [2.1]	14.5	12	975 [460.1]	8086526
		RCF3621MTAM	29800 [8.7]	21400 [6.3]	8400 [2.5]	14.5	12	875 [413.0]	7507872
		RCF3621STAM	28400 [8.3]	21400 [6.3]	7000 [2.1]	13.5	11.5	925 [436.6]	7507903
RA1336AC1	R95TA0401317MSA	RCF3617STAM	35000 [10.3]	25000 [7.3]	10000 [2.9]	13.5	11.5	1050 [495.5]	7508195
		RCF3621HTAM	36000 [10.6]	25400 [7.4]	10600 [3.1]	15	12.5	1000 [471.9]	8086552
		RCF3621MTAM	36000 [10.6]	24900 [7.3]	11100 [3.3]	14	11.5	1175 [554.5]	7508215
		RCF3621STAM	35200 [10.3]	25300 [7.4]	9900 [2.9]	13.5	11.5	1075 [507.3]	7508246
RA1336AC1	R95TA0601317MSA	RCF3617STAM	34800 [10.2]	24500 [7.2]	10300 [3.0]	13	11.5	1000 [471.9]	7508196
		RCF3621HTAM	36000 [10.6]	25400 [7.4]	10600 [3.1]	14	11.5	1075 [507.3]	8086553
		RCF3621MTAM	36000 [10.6]	24300 [7.1]	11700 [3.4]	14	11.5	1050 [495.5]	7508216
		RCF3621STAM	34800 [10.2]	24700 [7.2]	10100 [3.0]	13	11.5	1025 [483.7]	7508247
RA1336AC1	R95TA0701317MSA	RCF3617STAM	34600 [10.1]	24500 [7.2]	10100 [3.0]	13	11	1025 [483.7]	7508197
		RCF3621HTAM	36000 [10.6]	25400 [7.4]	10600 [3.1]	14.5	12	975 [460.1]	8086554
		RCF3621MTAM	36000 [10.6]	24500 [7.2]	11500 [3.4]	14	11.5	1075 [507.3]	7508217
		RCF3621STAM	34200 [10.0]	23700 [6.9]	10500 [3.1]	13	11.5	925 [436.6]	7508248
RA1336AC1	R95TA1151524MSA	RCF3624HTAM	36000 [10.6]	25600 [7.5]	10400 [3.0]	14	11.5	1325 [625.3]	7508277
		RCF3624MTAM	36000 [10.6]	25400 [7.4]	10600 [3.1]	13.5	11.5	1275 [601.7]	7508304

[] Designates Metric Conversions

Performance Data @ AHRI Standard Conditions – Cooling (con't.)

R95T: 95% AFUE single-stage Constant Torque Multipoise Gas Furnace Ratings									
Outdoor Unit	Furnace	Indoor Coil	Total Capacity BTU/H [kW]	Net Sensible BTU/H [kW]	Net Latent BTU/H [kW]	SEER	EER	Indoor CFM [L/s]	AHRI#
RA1336AJ1	R95TA0401317MSA	RCF3617STAM	35000 [10.3]	25000 [7.3]	10000 [2.9]	13.5	11.5	1050 [495.5]	7508561
		RCF3621HTAM	36000 [10.6]	25400 [7.4]	10600 [3.1]	15	12.5	1000 [471.9]	8086580
		RCF3621MTAM	36000 [10.6]	24900 [7.3]	11100 [3.3]	14	11.5	1175 [554.5]	7508581
		RCF3621STAM	35200 [10.3]	25300 [7.4]	9900 [2.9]	13.5	11.5	1075 [507.3]	7508612
RA1336AJ1	R95TA0601317MSA	RCF3617STAM	34800 [10.2]	24500 [7.2]	10300 [3.0]	13	11.5	1000 [471.9]	7508562
		RCF3621HTAM	36000 [10.6]	25400 [7.4]	10600 [3.1]	14	11.5	1075 [507.3]	8086581
		RCF3621MTAM	36000 [10.6]	24300 [7.1]	11700 [3.4]	14	11.5	1050 [495.5]	7508582
		RCF3621STAM	34800 [10.2]	24700 [7.2]	10100 [3.0]	13	11.5	1025 [483.7]	7508613
RA1336AJ1	R95TA0701317MSA	RCF3617STAM	34600 [10.1]	24500 [7.2]	10100 [3.0]	13	11	1025 [483.7]	7508563
		RCF3621HTAM	36000 [10.6]	25400 [7.4]	10600 [3.1]	14.5	12	975 [460.1]	8086582
		RCF3621MTAM	36000 [10.6]	24500 [7.2]	11500 [3.4]	14	11.5	1075 [507.3]	7508583
		RCF3621STAM	34200 [10.0]	23700 [6.9]	10500 [3.1]	13	11.5	925 [436.6]	7508614
RA1336AJ1	R95TA1151524MSA	RCF3624HTAM	36000 [10.6]	25600 [7.5]	10400 [3.0]	14	11.5	1325 [625.3]	7508643
		RCF3624MTAM	36000 [10.6]	25400 [7.4]	10600 [3.1]	13.5	11.5	1275 [601.7]	7508670
RA1342AC1	R95TA0401317MSA	RCF4821MTAM	40500 [11.9]	27300 [8.0]	13200 [3.9]	14	11.5	1125 [530.9]	8086612
		RCF4821STAM	39500 [11.6]	28100 [8.2]	11400 [3.3]	13.5	11.5	1175 [554.5]	7511564
RA1342AC1	R95TA0601317MSA	RCF4821MTAM	40000 [11.7]	26500 [7.8]	13500 [4.0]	13.5	11.5	1075 [507.3]	8086613
		RCF4821STAM	39000 [11.4]	26900 [7.9]	12100 [3.5]	13.5	11.5	1050 [495.5]	7511565
RA1342AC1	R95TA0701317MSA	RCF4821MTAM	40000 [11.7]	26500 [7.8]	13500 [4.0]	13.5	11.5	1075 [507.3]	8086614
		RCF4821STAM	39000 [11.4]	27300 [8.0]	11700 [3.4]	13	11.5	1125 [530.9]	7511566
RA1342AC1	R95TA0851521MSA	RCF4821MTAM	41000 [12.0]	29000 [8.5]	12000 [3.5]	13.5	11.5	1350 [637.1]	8086615
		RCF4821STAM	40000 [11.7]	29400 [8.6]	10600 [3.1]	13	11.5	1325 [625.3]	7511567
		RCF4824HTAM	42000 [12.3]	30500 [8.9]	11500 [3.4]	13.5	11.5	1500 [707.9]	7511594
		RCF4824STAM	40000 [11.7]	29400 [8.6]	10600 [3.1]	13	11.5	1325 [625.3]	7511622
RA1342AC1	R95TA1001521MSA	RCF4821MTAM	41000 [12.0]	29200 [8.6]	11800 [3.5]	13.5	11.5	1425 [672.5]	8086616
		RCF4821STAM	40500 [11.9]	30300 [8.9]	10200 [3.0]	13	11.5	1400 [660.7]	7511568
		RCF4824HTAM	42000 [12.3]	30200 [8.9]	11800 [3.5]	13.5	11.5	1450 [684.3]	7511595
		RCF4824STAM	40500 [11.9]	30300 [8.9]	10200 [3.0]	13	11.5	1400 [660.7]	7511623
RA1342AC1	R95TA1151524MSA	RCF4824HTAM	42000 [12.3]	30200 [8.9]	11800 [3.5]	13.5	11.5	1450 [684.3]	7511596
		RCF4824STAM	40500 [11.9]	30300 [8.9]	10200 [3.0]	13	11.5	1425 [672.5]	7511624
RA1342AJ1	R95TA0401317MSA	RCF4821MTAM	40500 [11.9]	27300 [8.0]	13200 [3.9]	14	11.5	1125 [530.9]	8086668
		RCF4821STAM	39500 [11.6]	28100 [8.2]	11400 [3.3]	13.5	11.5	1175 [554.5]	7511798
RA1342AJ1	R95TA0601317MSA	RCF4821MTAM	40000 [11.7]	26500 [7.8]	13500 [4.0]	13.5	11.5	1075 [507.3]	8086669
		RCF4821STAM	39000 [11.4]	26900 [7.9]	12100 [3.5]	13.5	11.5	1050 [495.5]	7511799
RA1342AJ1	R95TA0701317MSA	RCF4821MTAM	40000 [11.7]	26500 [7.8]	13500 [4.0]	13.5	11.5	1075 [507.3]	8086670
		RCF4821STAM	39000 [11.4]	27300 [8.0]	11700 [3.4]	13	11.5	1125 [530.9]	7511800
RA1342AJ1	R95TA0851521MSA	RCF4821MTAM	41000 [12.0]	29000 [8.5]	12000 [3.5]	13.5	11.5	1350 [637.1]	8086671
		RCF4821STAM	40000 [11.7]	29400 [8.6]	10600 [3.1]	13	11.5	1325 [625.3]	7511801
		RCF4824HTAM	42000 [12.3]	30500 [8.9]	11500 [3.4]	13.5	11.5	1500 [707.9]	7511828
		RCF4824STAM	40000 [11.7]	29400 [8.6]	10600 [3.1]	13	11.5	1325 [625.3]	7511856
RA1342AJ1	R95TA1001521MSA	RCF4821MTAM	41000 [12.0]	29200 [8.6]	11800 [3.5]	13.5	11.5	1425 [672.5]	8086672
		RCF4821STAM	40500 [11.9]	30300 [8.9]	10200 [3.0]	13	11.5	1400 [660.7]	7511802
		RCF4824HTAM	42000 [12.3]	30200 [8.9]	11800 [3.5]	13.5	11.5	1450 [684.3]	7511829
		RCF4824STAM	40500 [11.9]	30300 [8.9]	10200 [3.0]	13	11.5	1400 [660.7]	7511857
RA1342AJ1	R95TA1151524MSA	RCF4824HTAM	42000 [12.3]	30200 [8.9]	11800 [3.5]	13.5	11.5	1450 [684.3]	7511830
		RCF4824STAM	40500 [11.9]	30300 [8.9]	10200 [3.0]	13	11.5	1425 [672.5]	7511858

[] Designates Metric Conversions

Performance Data @ AHRI Standard Conditions – Cooling (con't.)

R95T: 95% AFUE single-stage Constant Torque Multipoise Gas Furnace Ratings									
Outdoor Unit	Furnace	Indoor Coil	Total Capacity BTU/H [kW]	Net Sensible BTU/H [kW]	Net Latent BTU/H [kW]	SEER	EER	Indoor CFM [L/s]	AHRI#
RA1348AC1	R95TA0851521MSA	RCF4821MTAM	48000 [14.1]	34400 [10.1]	13600 [4.0]	13	11.5	1475 [696.1]	8086722
		RCF4821STAM	46500 [13.6]	31900 [9.3]	14600 [4.3]	13	11	1300 [613.5]	7508928
		RCF4824HTAM	48000 [14.1]	31700 [9.3]	16300 [4.8]	13.5	11.5	1350 [637.1]	7508944
		RCF4824STAM	46500 [13.6]	31900 [9.3]	14600 [4.3]	13	11	1300 [613.5]	7508982
RA1348AC1	R95TA1001521MSA	RCF4821MTAM	48000 [14.1]	34400 [10.1]	13600 [4.0]	13	11.5	1525 [719.7]	8086723
		RCF4821STAM	47000 [13.8]	32800 [9.6]	14200 [4.2]	13	11	1375 [648.9]	7508929
		RCF4824HTAM	48000 [14.1]	32200 [9.4]	15800 [4.6]	13.5	11.5	1425 [672.5]	7508945
		RCF4824STAM	47000 [13.8]	32800 [9.6]	14200 [4.2]	13	11	1375 [648.9]	7508984
RA1348AC1	R95TA1151524MSA	RCF4824HTAM	48000 [14.1]	33400 [9.8]	14600 [4.3]	13	11.5	1600 [755.1]	7508946
		RCF4824STAM	46500 [13.6]	31700 [9.3]	14800 [4.3]	13	11.5	1275 [601.7]	7508986
RA1348AJ1	R95TA0851521MSA	RCF4821MTAM	48000 [14.1]	34400 [10.1]	13600 [4.0]	13	11.5	1475 [696.1]	8086758
		RCF4821STAM	46500 [13.6]	31900 [9.3]	14600 [4.3]	13	11	1300 [613.5]	7509153
		RCF4824HTAM	48000 [14.1]	31700 [9.3]	16300 [4.8]	13.5	11.5	1350 [637.1]	7509169
		RCF4824STAM	46500 [13.6]	31900 [9.3]	14600 [4.3]	13	11	1300 [613.5]	7509194
RA1348AJ1	R95TA1001521MSA	RCF4821MTAM	48000 [14.1]	34400 [10.1]	13600 [4.0]	13	11.5	1525 [719.7]	8086759
		RCF4821STAM	47000 [13.8]	32800 [9.6]	14200 [4.2]	13	11	1375 [648.9]	7509154
		RCF4824HTAM	48000 [14.1]	32200 [9.4]	15800 [4.6]	13.5	11.5	1425 [672.5]	7509170
		RCF4824STAM	47000 [13.8]	32800 [9.6]	14200 [4.2]	13	11	1375 [648.9]	7509195
RA1348AJ1	R95TA1151524MSA	RCF4824HTAM	48000 [14.1]	33400 [9.8]	14600 [4.3]	13	11.5	1600 [755.1]	7509171
		RCF4824STAM	46500 [13.6]	31700 [9.3]	14800 [4.3]	13	11.5	1275 [601.7]	7509196
RA1360AC1	R95TA0851521MSA	RCF6021STAM	53500 [15.7]	34400 [10.1]	19100 [5.6]	13	11	1375 [648.9]	8086790
		RCF6024HTAM	55500 [16.3]	38200 [11.2]	17300 [5.1]	13	11	1475 [696.1]	7509296
		RCF6024STAM	55500 [16.3]	38200 [11.2]	17300 [5.1]	13	11	1475 [696.1]	7509320
RA1360AC1	R95TA1001521MSA	RCF6021STAM	53500 [15.7]	34800 [10.2]	18700 [5.5]	13	11	1425 [672.5]	8086791
		RCF6024HTAM	56000 [16.4]	39300 [11.5]	16700 [4.9]	13	11	1550 [731.5]	7509297
		RCF6024STAM	56000 [16.4]	39300 [11.5]	16700 [4.9]	13	11	1550 [731.5]	7509321
RA1360AC1	R95TA1151524MSA	RCF6024HTAM	55500 [16.3]	37900 [11.1]	17600 [5.2]	13	11	1425 [672.5]	7509298
		RCF6024STAM	55500 [16.3]	37900 [11.1]	17600 [5.2]	13	11	1425 [672.5]	7509322
RA1360AJ1	R95TA0851521MSA	RCF6021STAM	53500 [15.7]	34400 [10.1]	19100 [5.6]	13	11	1375 [648.9]	8086808
		RCF6024HTAM	55500 [16.3]	38200 [11.2]	17300 [5.1]	13	11	1475 [696.1]	7509418
		RCF6024STAM	55500 [16.3]	38200 [11.2]	17300 [5.1]	13	11	1475 [696.1]	7509442
RA1360AJ1	R95TA1001521MSA	RCF6021STAM	53500 [15.7]	34800 [10.2]	18700 [5.5]	13	11	1425 [672.5]	8086809
		RCF6024HTAM	56000 [16.4]	39300 [11.5]	16700 [4.9]	13	11	1550 [731.5]	7509419
		RCF6024STAM	56000 [16.4]	39300 [11.5]	16700 [4.9]	13	11	1550 [731.5]	7509443
RA1360AJ1	R95TA1151524MSA	RCF6024HTAM	55500 [16.3]	37900 [11.1]	17600 [5.2]	13	11	1425 [672.5]	7509420
		RCF6024STAM	55500 [16.3]	37900 [11.1]	17600 [5.2]	13	11	1425 [672.5]	7509444

[] Designates Metric Conversions

Performance Data @ AHRI Standard Conditions – Cooling (con't.)

R96V: 96% AFUE 2-stage Variable Speed Multipoise Gas Furnace Ratings									
Outdoor Unit	Furnace	Indoor Coil	Total Capacity BTU/H [kW]	Net Sensible BTU/H [kW]	Net Latent BTU/H [kW]	SEER	EER	Indoor CFM [L/s]	AHRI#
RA1318AJ1	R96VA0402317MSA	RCF2417HTAM	18000 [5.3]	13400 [3.9]	4600 [1.3]	14.5	12	675 [318.6]	7982148
		RCF2417MTAM	18000 [5.3]	13400 [3.9]	4600 [1.3]	14.5	12	675 [318.6]	7982157
		RCF2417STAM	18000 [5.3]	13400 [3.9]	4600 [1.3]	14.5	12	675 [318.6]	7982166
		RCF2421MTAM	18000 [5.3]	13400 [3.9]	4600 [1.3]	14.5	12	675 [318.6]	7982184
RA1318AJ1	R96VA0602317MSA	RCF2417HTAM	18000 [5.3]	13400 [3.9]	4600 [1.3]	14.5	12	650 [306.8]	8050160
		RCF2417MTAM	18000 [5.3]	13400 [3.9]	4600 [1.3]	14.5	12	650 [306.8]	8050167
		RCF2417STAM	18000 [5.3]	13400 [3.9]	4600 [1.3]	14	11.5	650 [306.8]	8050174
		RCF2421MTAM	18000 [5.3]	13400 [3.9]	4600 [1.3]	14.5	12	650 [306.8]	8050188
RA1318AJ1	R96VA0702317MSA	RCF2417HTAM	18000 [5.3]	13400 [3.9]	4600 [1.3]	14.5	12	650 [306.8]	8050161
		RCF2417MTAM	18000 [5.3]	13400 [3.9]	4600 [1.3]	14.5	12	650 [306.8]	8050168
		RCF2417STAM	18000 [5.3]	13400 [3.9]	4600 [1.3]	14.5	12	650 [306.8]	8050175
		RCF2421MTAM	18000 [5.3]	13400 [3.9]	4600 [1.3]	14.5	12	650 [306.8]	8050189
RA1318AJ1	R96VA0402317MSA	RCF2421HTAM	18000 [5.3]	13400 [3.9]	4600 [1.3]	14.5	12	675 [318.6]	7982175
RA1318AJ1	R96VA0602317MSA	RCF2421HTAM	18000 [5.3]	13400 [3.9]	4600 [1.3]	14.5	12	650 [306.8]	8050181
RA1318AJ1	R96VA0702317MSA	RCF2421HTAM	18000 [5.3]	13400 [3.9]	4600 [1.3]	14.5	12	650 [306.8]	8050182
RA1324AJ1	R96VA0402317MSA	RCF2417HTAM	24000 [7.0]	17900 [5.2]	6100 [1.8]	14	11.5	875 [413.0]	7982246
		RCF2417MTAM	24000 [7.0]	17900 [5.2]	6100 [1.8]	14	11.5	875 [413.0]	7982255
		RCF2417STAM	24000 [7.0]	17900 [5.2]	6100 [1.8]	14	11.5	875 [413.0]	7982264
		RCF2421MTAM	24000 [7.0]	17900 [5.2]	6100 [1.8]	14	11.5	875 [413.0]	7982282
RA1324AJ1	R96VA0602317MSA	RCF2417HTAM	24000 [7.0]	17300 [5.1]	6700 [2.0]	14	11.5	850 [401.2]	8050237
		RCF2417MTAM	24000 [7.0]	17000 [5.0]	7000 [2.1]	14	11.5	775 [365.8]	8050244
		RCF2417STAM	23800 [7.0]	17800 [5.2]	6000 [1.8]	14	11.5	775 [365.8]	8050252
		RCF2421MTAM	24000 [7.0]	17000 [5.0]	7000 [2.1]	14	11.5	775 [365.8]	8050270
RA1324AJ1	R96VA0702317MSA	RCF2417HTAM	24000 [7.0]	17900 [5.2]	6100 [1.8]	14	11.5	875 [413.0]	8050238
		RCF2417MTAM	24000 [7.0]	17900 [5.2]	6100 [1.8]	14	11.5	875 [413.0]	8050245
		RCF2417STAM	24000 [7.0]	17900 [5.2]	6100 [1.8]	14	11.5	875 [413.0]	8050253
		RCF2421MTAM	24000 [7.0]	17900 [5.2]	6100 [1.8]	14	11.5	875 [413.0]	8050271
RA1324AJ1	R96VA0402317MSA	RCF2421HTAM	24000 [7.0]	17900 [5.2]	6100 [1.8]	14	11.5	875 [413.0]	7982276
RA1324AJ1	R96VA0602317MSA	RCF2421HTAM	24000 [7.0]	17000 [5.0]	7000 [2.1]	14	11.5	775 [365.8]	8050261
RA1324AJ1	R96VA0702317MSA	RCF2421HTAM	24000 [7.0]	17900 [5.2]	6100 [1.8]	14	11.5	875 [413.0]	8050262
RA1330AJ1	R96VA0402317MSA	RCF3617STAM	28600 [8.4]	21700 [6.4]	6900 [2.0]	14	11.5	950 [448.4]	7982310
		RCF3621HTAM	30000 [8.8]	22900 [6.7]	7100 [2.1]	15.1	12.5	875 [413.0]	8086527
		RCF3621MTAM	30000 [8.8]	22900 [6.7]	7100 [2.1]	14.5	12	950 [448.4]	7982317
		RCF3621STAM	28600 [8.4]	21700 [6.4]	6900 [2.0]	14	11.5	950 [448.4]	7982324
RA1330AJ1	R96VA0602317MSA	RCF3621HTAM	30000 [8.8]	22900 [6.7]	7100 [2.1]	14.5	12	1050 [495.5]	8086528
RA1330AJ1	R96VA0702317MSA	RCF3617STAM	28600 [8.4]	21700 [6.4]	6900 [2.0]	14	11.5	950 [448.4]	8050319
		RCF3621HTAM	29800 [8.7]	21300 [6.2]	8500 [2.5]	15.1	12.5	800 [377.6]	8086529
		RCF3621MTAM	30000 [8.8]	22900 [6.7]	7100 [2.1]	14.5	12	950 [448.4]	8050333
		RCF3621STAM	28600 [8.4]	21700 [6.4]	6900 [2.0]	14	11.5	950 [448.4]	8050347
RA1330AJ1	R96VA0852521MSB	RCF3621HTAM	30000 [8.8]	22900 [6.7]	7100 [2.1]	15.1	12.5	975 [460.1]	8086530
RA1330AJ1	R96VA1002521MSA	RCF3621HTAM	30000 [8.8]	22900 [6.7]	7100 [2.1]	15.1	12.5	1050 [495.5]	8086531
RA1336AC1	R96VA0402317MSA	RCF3617STAM	34800 [10.2]	24700 [7.2]	10100 [3.0]	13.5	11.5	1025 [483.7]	7982372
		RCF3621HTAM	36000 [10.6]	25400 [7.4]	10600 [3.1]	14.5	12	1125 [530.9]	8086555
		RCF3621MTAM	36000 [10.6]	25400 [7.4]	10600 [3.1]	14	11.5	1125 [530.9]	7982379
		RCF3621STAM	34800 [10.2]	24700 [7.2]	10100 [3.0]	13.5	11.5	1025 [483.7]	7982386
RA1336AC1	R96VA0602317MSA	RCF3617STAM	34600 [10.1]	24300 [7.1]	10300 [3.0]	13	11.5	975 [460.1]	8050445
		RCF3621HTAM	36000 [10.6]	25400 [7.4]	10600 [3.1]	14.5	12	975 [460.1]	8086556
		RCF3621MTAM	36000 [10.6]	25400 [7.4]	10600 [3.1]	14	11.5	1050 [495.5]	8050460
		RCF3621STAM	34400 [10.1]	24000 [7.0]	10400 [3.0]	13.5	11.5	950 [448.4]	8050476

[] Designates Metric Conversions

Performance Data @ AHRI Standard Conditions – Cooling (con't.)

R96V: 96% AFUE 2-stage Variable Speed Multiphase Gas Furnace Ratings									
Outdoor Unit	Furnace	Indoor Coil	Total Capacity BTU/H [kW]	Net Sensible BTU/H [kW]	Net Latent BTU/H [kW]	SEER	EER	Indoor CFM [L/s]	AHRI#
RA1336AC1	R96VA0702317MSA	RCF3617STAM	34400 [10.1]	24000 [7.0]	10400 [3.0]	13.5	11.5	950 [448.4]	8050446
		RCF3621HTAM	36000 [10.6]	25400 [7.4]	10600 [3.1]	14.5	12	1050 [495.5]	8086557
		RCF3621MTAM	36000 [10.6]	25400 [7.4]	10600 [3.1]	14	11.5	1150 [542.7]	8050461
		RCF3621STAM	34600 [10.1]	24200 [7.1]	10400 [3.0]	13.5	11.5	950 [448.4]	8050477
RA1336AC1	R96VA0852521MSB	RCF3621HTAM	36000 [10.6]	25400 [7.4]	10600 [3.1]	14.5	12	1275 [601.7]	8086558
		RCF3621MTAM	36000 [10.6]	25400 [7.4]	10600 [3.1]	14.5	12	1025 [483.7]	8050462
		RCF3621STAM	35600 [10.4]	26000 [7.6]	9600 [2.8]	13.5	11.5	1150 [542.7]	8050478
		RCF3624HTAM	36000 [10.6]	25400 [7.4]	10600 [3.1]	15	12.5	1075 [507.3]	8050491
		RCF3624MTAM	36000 [10.6]	25400 [7.4]	10600 [3.1]	14.5	12	1025 [483.7]	8050504
RA1336AC1	R96VA1002521MSA	RCF3621HTAM	36000 [10.6]	25400 [7.4]	10600 [3.1]	15	12.5	1000 [471.9]	8086559
RA1336AJ1	R96VA0402317MSA	RCF3617STAM	34800 [10.2]	24700 [7.2]	10100 [3.0]	13.5	11.5	1025 [483.7]	7982429
		RCF3621HTAM	36000 [10.6]	25400 [7.4]	10600 [3.1]	14.5	12	1125 [530.9]	8086583
		RCF3621MTAM	36000 [10.6]	25400 [7.4]	10600 [3.1]	14	11.5	1125 [530.9]	7982436
		RCF3621STAM	34800 [10.2]	24700 [7.2]	10100 [3.0]	13.5	11.5	1025 [483.7]	7982443
RA1336AJ1	R96VA0602317MSA	RCF3617STAM	34600 [10.1]	24300 [7.1]	10300 [3.0]	13	11.5	975 [460.1]	8050590
		RCF3621HTAM	36000 [10.6]	25400 [7.4]	10600 [3.1]	14.5	12	975 [460.1]	8086584
		RCF3621MTAM	36000 [10.6]	25400 [7.4]	10600 [3.1]	14	11.5	1050 [495.5]	8050605
		RCF3621STAM	34400 [10.1]	24000 [7.0]	10400 [3.0]	13.5	11.5	950 [448.4]	8050622
RA1336AJ1	R96VA0702317MSA	RCF3617STAM	34400 [10.1]	24000 [7.0]	10400 [3.0]	13.5	11.5	950 [448.4]	8050591
		RCF3621HTAM	36000 [10.6]	25400 [7.4]	10600 [3.1]	14.5	12	1050 [495.5]	8086585
		RCF3621MTAM	36000 [10.6]	25400 [7.4]	10600 [3.1]	14	11.5	1150 [542.7]	8050606
		RCF3621STAM	34600 [10.1]	24200 [7.1]	10400 [3.0]	13.5	11.5	950 [448.4]	8050623
RA1336AJ1	R96VA0852521MSB	RCF3621HTAM	36000 [10.6]	25400 [7.4]	10600 [3.1]	14.5	12	1275 [601.7]	8086586
		RCF3621MTAM	36000 [10.6]	25400 [7.4]	10600 [3.1]	14.5	12	1025 [483.7]	8050607
		RCF3621STAM	35600 [10.4]	26000 [7.6]	9600 [2.8]	13.5	11.5	1150 [542.7]	8050624
		RCF3624HTAM	36000 [10.6]	25400 [7.4]	10600 [3.1]	15	12.5	1075 [507.3]	8050649
		RCF3624MTAM	36000 [10.6]	25400 [7.4]	10600 [3.1]	14.5	12	1025 [483.7]	8050684
RA1336AJ1	R96VA1002521MSA	RCF3621HTAM	36000 [10.6]	25400 [7.4]	10600 [3.1]	15	12.5	1000 [471.9]	8086587
RA1342AC1	R96VA0402317MSA	RCF4821MTAM	40000 [11.7]	26800 [7.9]	13200 [3.9]	13.5	11.5	1125 [530.9]	8086617
RA1342AC1	R96VA0602317MSA	RCF4821MTAM	40000 [11.7]	26800 [7.9]	13200 [3.9]	13.5	11.5	1125 [530.9]	8086618
RA1342AC1	R96VA0702317MSA	RCF4821MTAM	40500 [11.9]	27400 [8.0]	13100 [3.8]	13.5	11.5	1150 [542.7]	8086619
RA1342AC1	R96VA0852521MSB	RCF4821MTAM	40500 [11.9]	27800 [8.1]	12700 [3.7]	14	11.5	1225 [578.1]	8086620
		RCF4821STAM	40000 [11.7]	29100 [8.5]	10900 [3.2]	13.5	11.5	1275 [601.7]	8049110
		RCF4824HTAM	41500 [12.2]	28900 [8.5]	12600 [3.7]	14	11.5	1300 [613.5]	8049116
		RCF4824STAM	40000 [11.7]	29100 [8.5]	10900 [3.2]	13.5	11.5	1275 [601.7]	8049121
RA1342AC1	R96VA1002521MSA	RCF4821MTAM	41000 [12.0]	28400 [8.3]	12600 [3.7]	14	11.5	1250 [589.9]	8086621
		RCF4821STAM	40500 [11.9]	30000 [8.8]	10500 [3.1]	13.5	11.5	1350 [637.1]	8049111
		RCF4824HTAM	42000 [12.3]	29900 [8.8]	12100 [3.5]	14	11.5	1400 [660.7]	8049117
		RCF4824STAM	40500 [11.9]	30000 [8.8]	10500 [3.1]	13.5	11.5	1350 [637.1]	8049122
RA1342AC1	R96VA1152524MSA	RCF4824HTAM	41500 [12.2]	28600 [8.4]	12900 [3.8]	14.5	12	1250 [589.9]	8049118
		RCF4824STAM	40000 [11.7]	29000 [8.5]	11000 [3.2]	14	11.5	1250 [589.9]	8049123
RA1342AJ1	R96VA0402317MSA	RCF4821MTAM	40000 [11.7]	26800 [7.9]	13200 [3.9]	13.5	11.5	1125 [530.9]	8086673
RA1342AJ1	R96VA0602317MSA	RCF4821MTAM	40000 [11.7]	26800 [7.9]	13200 [3.9]	13.5	11.5	1125 [530.9]	8086674
RA1342AJ1	R96VA0702317MSA	RCF4821MTAM	40500 [11.9]	27400 [8.0]	13100 [3.8]	13.5	11.5	1150 [542.7]	8086675
RA1342AJ1	R96VA0852521MSB	RCF4821MTAM	40500 [11.9]	27800 [8.1]	12700 [3.7]	14	11.5	1225 [578.1]	8086676
		RCF4821STAM	40000 [11.7]	29100 [8.5]	10900 [3.2]	13.5	11.5	1275 [601.7]	8049142
		RCF4824HTAM	41500 [12.2]	28900 [8.5]	12600 [3.7]	14	11.5	1300 [613.5]	8049148
		RCF4824STAM	40000 [11.7]	29100 [8.5]	10900 [3.2]	13.5	11.5	1275 [601.7]	8049153

[] Designates Metric Conversions



Performance Data @ AHRI Standard Conditions – Cooling (con't.)

R96V: 96% AFUE 2-stage Variable Speed Multipoise Gas Furnace Ratings									
Outdoor Unit	Furnace	Indoor Coil	Total Capacity BTU/H [kW]	Net Sensible BTU/H [kW]	Net Latent BTU/H [kW]	SEER	EER	Indoor CFM [L/s]	AHRI#
RA1342AJ1	R96VA1002521MSA	RCF4821MTAM	41000 [12.0]	28400 [8.3]	12600 [3.7]	14	11.5	1250 [589.9]	8086677
		RCF4821STAM	40500 [11.9]	30000 [8.8]	10500 [3.1]	13.5	11.5	1350 [637.1]	8049143
		RCF4824HTAM	42000 [12.3]	29900 [8.8]	12100 [3.5]	14	11.5	1400 [660.7]	8049149
		RCF4824STAM	40500 [11.9]	30000 [8.8]	10500 [3.1]	13.5	11.5	1350 [637.1]	8049154
RA1342AJ1	R96VA1152524MSA	RCF4824HTAM	41500 [12.2]	28600 [8.4]	12900 [3.8]	14.5	12	1250 [589.9]	8049150
		RCF4824STAM	40000 [11.7]	29000 [8.5]	11000 [3.2]	14	11.5	1250 [589.9]	8049155
RA1348AC1	R96VA0852521MSB	RCF4821MTAM	47500 [13.9]	31000 [9.1]	16500 [4.8]	13.5	11.5	1275 [601.7]	8086724
		RCF4821STAM	46500 [13.6]	31900 [9.3]	14600 [4.3]	13	11.5	1300 [613.5]	8049175
		RCF4824HTAM	48000 [14.1]	34400 [10.1]	13600 [4.0]	13.5	11.5	1350 [637.1]	8049180
		RCF4824STAM	46500 [13.6]	31900 [9.3]	14600 [4.3]	13	11.5	1300 [613.5]	8049185
RA1348AC1	R96VA1002521MSA	RCF4821MTAM	48000 [14.1]	32000 [9.4]	16000 [4.7]	13.5	11.5	1350 [637.1]	8086725
		RCF4821STAM	47000 [13.8]	32700 [9.6]	14300 [4.2]	13	11.5	1350 [637.1]	8049176
		RCF4824HTAM	48000 [14.1]	34400 [10.1]	13600 [4.0]	13.5	11.5	1475 [696.1]	8049181
		RCF4824STAM	47000 [13.8]	32700 [9.6]	14300 [4.2]	13	11.5	1350 [637.1]	8049186
RA1348AC1	R96VA1152524MSA	RCF4824HTAM	48000 [14.1]	34400 [10.1]	13600 [4.0]	14	11.5	1350 [637.1]	8049182
		RCF4824STAM	46500 [13.6]	31600 [9.3]	14900 [4.4]	13.5	11.5	1250 [589.9]	8049187
RA1348AJ1	R96VA0852521MSB	RCF4821MTAM	47500 [13.9]	31000 [9.1]	16500 [4.8]	13.5	11.5	1275 [601.7]	8086760
		RCF4821STAM	46500 [13.6]	31900 [9.3]	14600 [4.3]	13	11.5	1300 [613.5]	8049210
		RCF4824HTAM	48000 [14.1]	34400 [10.1]	13600 [4.0]	13.5	11.5	1350 [637.1]	8049215
		RCF4824STAM	46500 [13.6]	31900 [9.3]	14600 [4.3]	13	11.5	1300 [613.5]	8049220
RA1348AJ1	R96VA1002521MSA	RCF4821MTAM	48000 [14.1]	32000 [9.4]	16000 [4.7]	13.5	11.5	1350 [637.1]	8086761
		RCF4821STAM	47000 [13.8]	32700 [9.6]	14300 [4.2]	13	11.5	1350 [637.1]	8049211
		RCF4824HTAM	48000 [14.1]	34400 [10.1]	13600 [4.0]	13.5	11.5	1475 [696.1]	8049216
		RCF4824STAM	47000 [13.8]	32700 [9.6]	14300 [4.2]	13	11.5	1350 [637.1]	8049221
RA1348AJ1	R96VA1152524MSA	RCF4824HTAM	48000 [14.1]	34400 [10.1]	13600 [4.0]	14	11.5	1350 [637.1]	8049217
		RCF4824STAM	46500 [13.6]	31600 [9.3]	14900 [4.4]	13.5	11.5	1250 [589.9]	8049222
RA1360AC1	R96VA0852521MSB	RCF6024HTAM	56500 [16.6]	40000 [11.7]	16500 [4.8]	13	11	1575 [743.3]	8049246
		RCF6024STAM	56500 [16.6]	40000 [11.7]	16500 [4.8]	13	11	1575 [743.3]	8049251
RA1360AC1	R96VA1002521MSA	RCF6021STAM	54500 [16.0]	35200 [10.3]	19300 [5.7]	13	11	1400 [660.7]	8086792
		RCF6024HTAM	56500 [16.6]	40400 [11.8]	16100 [4.7]	13	11	1625 [766.9]	8049247
		RCF6024STAM	56500 [16.6]	40400 [11.8]	16100 [4.7]	13	11	1625 [766.9]	8049252
RA1360AC1	R96VA1152524MSA	RCF6024HTAM	56500 [16.6]	40000 [11.7]	16500 [4.8]	13.5	11.5	1575 [743.3]	8049248
		RCF6024STAM	56500 [16.6]	40000 [11.7]	16500 [4.8]	13.5	11.5	1575 [743.3]	8049253
RA1360AJ1	R96VA0852521MSB	RCF6024HTAM	56500 [16.6]	40000 [11.7]	16500 [4.8]	13	11	1575 [743.3]	8049277
		RCF6024STAM	56500 [16.6]	40000 [11.7]	16500 [4.8]	13	11	1575 [743.3]	8049282
RA1360AJ1	R96VA1002521MSA	RCF6021STAM	54500 [16.0]	35200 [10.3]	19300 [5.7]	13	11	1400 [660.7]	8086810
		RCF6024HTAM	56500 [16.6]	40400 [11.8]	16100 [4.7]	13	11	1625 [766.9]	8049278
		RCF6024STAM	56500 [16.6]	40400 [11.8]	16100 [4.7]	13	11	1625 [766.9]	8049283
RA1360AJ1	R96VA1152524MSA	RCF6024HTAM	56500 [16.6]	40000 [11.7]	16500 [4.8]	13.5	11.5	1575 [743.3]	8049279
		RCF6024STAM	56500 [16.6]	40000 [11.7]	16500 [4.8]	13.5	11.5	1575 [743.3]	8049284

[] Designates Metric Conversions

Performance Data @ AHRI Standard Conditions – Cooling (con't.)

Air Handler Ratings								
Outdoor Unit	Air Handler	Total Capacity BTU/H [kW]	Net Sensible BTU/H [kW]	Net Latent BTU/H [kW]	SEER	EER	Indoor CFM [L/s]	AHRI#
RA1318AJ1	RF1T2421MTAN	18000 [5.3]	13400 [3.9]	4600 [1.3]	14.5	12	625 [295.0]	7886604
	RBHP-17	17800 [5.2]	11800 [3.5]	6000 [1.8]	14	11.5	600 [283.2]	7507406
	RH1P1817STAN	17700 [5.2]	13200 [3.9]	4500 [1.3]	13	11.5	600 [283.2]	7507603
	RH1T2417STAN	18000 [5.3]	13500 [4.0]	4500 [1.3]	14.5	12	600 [283.2]	7507604
	RH1V2417STAN	18000 [5.3]	13600 [4.0]	4400 [1.3]	14.5	12	650 [306.8]	7507605
RA1324AJ1	RF1T2421MTAN	24000 [7.0]	17400 [5.1]	6600 [1.9]	14	11.5	800 [377.6]	7886607
	RBHP-17	23800 [7.0]	15700 [4.6]	8100 [2.4]	14	11.5	800 [377.6]	7507610
	RH1P2417STAN	23600 [6.9]	17600 [5.2]	6000 [1.8]	13	11.5	800 [377.6]	7507835
	RH1T2417STAN	24000 [7.0]	18000 [5.3]	6000 [1.8]	14.5	12	800 [377.6]	7507836
	RH2T2421MTAN	23600 [6.9]	16500 [4.8]	7100 [2.1]	14	11.5	700 [330.4]	7507838
RA1330AJ1	RH1V2417STAN	24000 [7.0]	18200 [5.3]	5800 [1.7]	14	11.5	850 [401.2]	7507837
	RF1P3024SPAN	29200 [8.6]	21400 [6.3]	7800 [2.3]	13	11.5	900 [424.8]	7886610
	RF1T3624MTAN	30000 [8.8]	22900 [6.7]	7100 [2.1]	14.5	12	1025 [483.7]	7886612
	RBHP-21	29600 [8.7]	20200 [5.9]	9400 [2.8]	14.5	12	1000 [471.9]	7507845
	RH1P3017STAN	28600 [8.4]	21700 [6.4]	6900 [2.0]	13	11.5	975 [460.1]	7508177
	RH1T3617STAN	29000 [8.5]	22200 [6.5]	6800 [2.0]	14.5	12	1000 [471.9]	7508178
	RH1T3621HTAN	30000 [8.8]	22900 [6.7]	7100 [2.1]	15.5	13	1000 [471.9]	8086541
	RH1T3621MTAN	30000 [8.8]	22100 [6.5]	7900 [2.3]	15	12.5	1000 [471.9]	7508179
	RH1V3617STAN	29000 [8.5]	22300 [6.5]	6700 [2.0]	14	11.5	1025 [483.7]	7508180
	RH1V3621HTAN	30000 [8.8]	22900 [6.7]	7100 [2.1]	15.5	13	1000 [471.9]	8086542
RA1336AC1	RH1V3621MTAN	30000 [8.8]	22100 [6.5]	7900 [2.3]	15	12.5	1000 [471.9]	7508181
	RH2V3624HTAC	32200 [9.4]	24800 [7.3]	7400 [2.2]	15	12.5	1200 [566.3]	7508182
	RF1P3624SPAN	36000 [10.6]	25400 [7.4]	10600 [3.1]	13	11.5	1100 [519.1]	7886615
	RF1P3624STAN	36000 [10.6]	25400 [7.4]	10600 [3.1]	13	11.5	1100 [519.1]	7886618
	RF1T3624MTAN	36000 [10.6]	25400 [7.4]	10600 [3.1]	14.5	12	1025 [483.7]	7886621
	RBHP-21	36000 [10.6]	24100 [7.1]	11900 [3.5]	14	11.5	1200 [566.3]	7508190
	RH1P3017STAN	34200 [10.0]	23800 [7.0]	10400 [3.0]	13	11	950 [448.4]	7508541
	RH1T3617STAN	35200 [10.3]	24900 [7.3]	10300 [3.0]	14	11.5	1000 [471.9]	7508542
	RH1T3621HTAN	36000 [10.6]	25400 [7.4]	10600 [3.1]	15	12.5	1200 [566.3]	8086569
	RH1T3621MTAN	36000 [10.6]	25000 [7.3]	11000 [3.2]	14.5	12	1175 [554.5]	7508543
RA1336AJ1	RH1V3617STAN	36000 [10.6]	26800 [7.9]	9200 [2.7]	13.5	11.5	1225 [578.1]	7508544
	RH1V3621HTAN	36000 [10.6]	25400 [7.4]	10600 [3.1]	15	12.5	1200 [566.3]	8086570
	RH1V3621MTAN	36000 [10.6]	25100 [7.4]	10900 [3.2]	14.5	12	1200 [566.3]	7508545
	RH2V3624HTAC	36000 [10.6]	25000 [7.3]	11000 [3.2]	15	12.5	1200 [566.3]	7508546
	RF1P3624SPAN	36000 [10.6]	25400 [7.4]	10600 [3.1]	13	11.5	1100 [519.1]	7886624
	RF1P3624STAN	36000 [10.6]	25400 [7.4]	10600 [3.1]	13	11.5	1100 [519.1]	7886626
	RF1T3624MTAN	36000 [10.6]	25400 [7.4]	10600 [3.1]	14.5	12	1025 [483.7]	7886628
	RBHP-21	36000 [10.6]	24100 [7.1]	11900 [3.5]	14	11.5	1200 [566.3]	7508556
	RH1P3017STAN	34200 [10.0]	23800 [7.0]	10400 [3.0]	13	11	950 [448.4]	7508907
	RH1T3617STAN	35200 [10.3]	24900 [7.3]	10300 [3.0]	14	11.5	1000 [471.9]	7508908
RA1336AJ1	RH1T3621HTAN	36000 [10.6]	25400 [7.4]	10600 [3.1]	15	12.5	1200 [566.3]	8086597
	RH1T3621MTAN	36000 [10.6]	25000 [7.3]	11000 [3.2]	14.5	12	1175 [554.5]	7508909
	RH1V3617STAN	36000 [10.6]	26800 [7.9]	9200 [2.7]	13.5	11.5	1225 [578.1]	7508910
	RH1V3621HTAN	36000 [10.6]	25400 [7.4]	10600 [3.1]	15	12.5	1200 [566.3]	8086598
	RH1V3621MTAN	36000 [10.6]	25100 [7.4]	10900 [3.2]	14.5	12	1200 [566.3]	7508911
	RH2V3624HTAC	36000 [10.6]	25000 [7.3]	11000 [3.2]	15	12.5	1200 [566.3]	7508912

[] Designates Metric Conversions

Performance Data @ AHRI Standard Conditions – Cooling (con't.)

Air Handler Ratings								
Outdoor Unit	Air Handler	Total Capacity BTU/H [kW]	Net Sensible BTU/H [kW]	Net Latent BTU/H [kW]	SEER	EER	Indoor CFM [L/s]	AHRI#
RA1342AC1	RBHP-24	40500 [11.9]	26900 [7.9]	13600 [4.0]	14	11.5	1400 [660.7]	7511557
	RH1T4821MTAN	41500 [12.2]	29700 [8.7]	11800 [3.5]	14	11.5	1400 [660.7]	8086653
	RH1T4821STAN	41000 [12.0]	30800 [9.0]	10200 [3.0]	14	11.5	1400 [660.7]	7511783
	RH2T4824MTAN	42000 [12.3]	29900 [8.8]	12100 [3.5]	14.5	12	1400 [660.7]	7511785
	RH1V4821MTAN	41500 [12.2]	29700 [8.7]	11800 [3.5]	14	11.5	1425 [672.5]	8086654
	RH1V4821STAN	41000 [12.0]	30800 [9.0]	10200 [3.0]	13.5	11.5	1400 [660.7]	7511784
	RH2V4824HTAC	43500 [12.7]	32600 [9.6]	10900 [3.2]	14	11.5	1600 [755.1]	7511786
RA1342AJ1	RBHP-24	40500 [11.9]	26900 [7.9]	13600 [4.0]	14	11.5	1400 [660.7]	7511791
	RH1T4821MTAN	41500 [12.2]	29700 [8.7]	11800 [3.5]	14	11.5	1400 [660.7]	8086709
	RH1T4821STAN	41000 [12.0]	30800 [9.0]	10200 [3.0]	14	11.5	1400 [660.7]	7512017
	RH2T4824MTAN	42000 [12.3]	29900 [8.8]	12100 [3.5]	14.5	12	1400 [660.7]	7512019
	RH1V4821MTAN	41500 [12.2]	29700 [8.7]	11800 [3.5]	14	11.5	1425 [672.5]	8086710
	RH1V4821STAN	41000 [12.0]	30800 [9.0]	10200 [3.0]	13.5	11.5	1400 [660.7]	7512018
	RH2V4824HTAC	43500 [12.7]	32600 [9.6]	10900 [3.2]	14	11.5	1600 [755.1]	7512020
RA1348AC1	RBHP-24	48000 [14.1]	31700 [9.3]	16300 [4.8]	13.5	11.5	1600 [755.1]	7508922
	RH1T4821MTAN	48000 [14.1]	34400 [10.1]	13600 [4.0]	14	11.5	1400 [660.7]	8086745
	RH1T4821STAN	47500 [13.9]	33500 [9.8]	14000 [4.1]	13.5	11.5	1400 [660.7]	7509131
	RH1T4824STAN	48000 [14.1]	35000 [10.3]	13000 [3.8]	13.5	11.5	1550 [731.5]	7509132
	RH2T4824MTAN	48000 [14.1]	32000 [9.4]	16000 [4.7]	14	11.5	1400 [660.7]	7509135
	RH1V4821MTAN	48000 [14.1]	34400 [10.1]	13600 [4.0]	13.5	11.5	1625 [766.9]	8086746
	RH1V4821STAN	48000 [14.1]	35100 [10.3]	12900 [3.8]	13	11.5	1575 [743.3]	7509133
	RH1V4824STAN	48000 [14.1]	35500 [10.4]	12500 [3.7]	13.5	11.5	1625 [766.9]	7509134
RH2V4824HTAC	51000 [14.9]	36400 [10.7]	14600 [4.3]	14	11.5	1600 [755.1]	7509136	
RA1348AJ1	RBHP-24	48000 [14.1]	31700 [9.3]	16300 [4.8]	13.5	11.5	1600 [755.1]	7509147
	RH1T4821MTAN	48000 [14.1]	34400 [10.1]	13600 [4.0]	14	11.5	1400 [660.7]	8086781
	RH1T4821STAN	47500 [13.9]	33500 [9.8]	14000 [4.1]	13.5	11.5	1400 [660.7]	7509274
	RH1T4824STAN	48000 [14.1]	35000 [10.3]	13000 [3.8]	13.5	11.5	1550 [731.5]	7509275
	RH2T4824MTAN	48000 [14.1]	32000 [9.4]	16000 [4.7]	14	11.5	1400 [660.7]	7509278
	RH1V4821MTAN	48000 [14.1]	34400 [10.1]	13600 [4.0]	13.5	11.5	1625 [766.9]	8086782
	RH1V4821STAN	48000 [14.1]	35100 [10.3]	12900 [3.8]	13	11.5	1575 [743.3]	7509276
	RH1V4824STAN	48000 [14.1]	35500 [10.4]	12500 [3.7]	13.5	11.5	1625 [766.9]	7509277
RH2V4824HTAC	51000 [14.9]	36400 [10.7]	14600 [4.3]	14	11.5	1600 [755.1]	7509279	
RA1360AC1	RBHP-25	55000 [16.1]	38300 [11.2]	16700 [4.9]	13	11	1800 [849.5]	7509290
	RH1T6021STAN	56000 [16.4]	39300 [11.5]	16700 [4.9]	13	11	1750 [825.9]	8086799
	RH1T6024STAN	57000 [16.7]	40600 [11.9]	16400 [4.8]	13.5	11.5	1600 [755.1]	7509404
	RH2T6024STAN	57000 [16.7]	40600 [11.9]	16400 [4.8]	13.5	11.5	1600 [755.1]	7509406
	RH1V6021STAN	56000 [16.4]	39000 [11.4]	17000 [5.0]	13	11	1700 [802.3]	8086800
	RH1V6024STAN	57000 [16.7]	40600 [11.9]	16400 [4.8]	14	11.5	1600 [755.1]	7509405
RA1360AJ1	RBHP-25	55000 [16.1]	38300 [11.2]	16700 [4.9]	13	11	1800 [849.5]	7509412
	RH1T6021STAN	56000 [16.4]	39300 [11.5]	16700 [4.9]	13	11	1750 [825.9]	8086817
	RH1T6024STAN	57000 [16.7]	40600 [11.9]	16400 [4.8]	13.5	11.5	1600 [755.1]	7509526
	RH2T6024STAN	57000 [16.7]	40600 [11.9]	16400 [4.8]	13.5	11.5	1600 [755.1]	7509528
	RH1V6021STAN	56000 [16.4]	39000 [11.4]	17000 [5.0]	13	11	1700 [802.3]	8086818
	RH1V6024STAN	57000 [16.7]	40600 [11.9]	16400 [4.8]	14	11.5	1600 [755.1]	7509527

[] Designates Metric Conversions

Performance Data @ AHRI Standard Conditions – Cooling (con't.)

RHWB Hydronic Air Handler Ratings									
Outdoor Unit	Hydronic Air Handler	Indoor Coil	Total Capacity BTU/H [kW]	Net Sensible BTU/H [kW]	Net Latent BTU/H [kW]	SEER	EER	Indoor CFM [L/s]	AHRI#
RA1324AJ1	RHWB-04WMX36B	RCF2417HTAM	24000 [7.0]	17900 [5.2]	6100 [1.8]	14.5	12	875 [413.0]	8048996
		RCF2417MTAM	24000 [7.0]	17900 [5.2]	6100 [1.8]	14	11.5	875 [413.0]	8048997
		RCF2417STAM	24000 [7.0]	17900 [5.2]	6100 [1.8]	14	11.5	875 [413.0]	8048998
		RCF2421MTAM	24000 [7.0]	17900 [5.2]	6100 [1.8]	14	11.5	875 [413.0]	8049002
		RCF2421HTAM	24000 [7.0]	17900 [5.2]	6100 [1.8]	14	11.5	875 [413.0]	8049000
RA1330AJ1	RHWB-04WMX36B	RCF3617STAM	28400 [8.3]	21200 [6.2]	7200 [2.1]	14	11.5	875 [413.0]	8049008
		RCF3621MTAM	30000 [8.8]	22900 [6.7]	7100 [2.1]	14.5	12	1075 [507.3]	8049012
		RCF3621STAM	28600 [8.4]	21500 [6.3]	7100 [2.1]	14	11.5	900 [424.8]	8049016
RA1330AJ1	RHWB-06WMX48B	RCF3617STAM	29000 [8.5]	22100 [6.5]	6900 [2.0]	14	11.5	975 [460.1]	8049009
		RCF3621MTAM	30000 [8.8]	22900 [6.7]	7100 [2.1]	14.5	12	1000 [471.9]	8049013
		RCF3621STAM	29000 [8.5]	22200 [6.5]	6800 [2.0]	14	11.5	1000 [471.9]	8049017
RA1336AC1	RHWB-04WMX36B	RCF3617STAM	34800 [10.2]	24700 [7.2]	10100 [3.0]	13.5	11.5	1025 [483.7]	8049040
		RCF3621MTAM	36000 [10.6]	25400 [7.4]	10600 [3.1]	14	11.5	1200 [566.3]	8049044
		RCF3621STAM	35000 [10.3]	25000 [7.3]	10000 [2.9]	13.5	11.5	1050 [495.5]	8049048
RA1336AC1	RHWB-06WMX48B	RCF3617STAM	34800 [10.2]	24500 [7.2]	10300 [3.0]	13.5	11.5	975 [460.1]	8049041
		RCF3621MTAM	36000 [10.6]	25400 [7.4]	10600 [3.1]	14.5	12	1000 [471.9]	8049045
		RCF3621STAM	34800 [10.2]	24500 [7.2]	10300 [3.0]	13.5	11.5	975 [460.1]	8049049
RA1336AJ1	RHWB-04WMX36B	RCF3617STAM	34800 [10.2]	24700 [7.2]	10100 [3.0]	13.5	11.5	1025 [483.7]	8049074
		RCF3621MTAM	36000 [10.6]	25400 [7.4]	10600 [3.1]	14	11.5	1200 [566.3]	8049078
		RCF3621STAM	35000 [10.3]	25000 [7.3]	10000 [2.9]	13.5	11.5	1050 [495.5]	8049082
RA1336AJ1	RHWB-06WMX48B	RCF3617STAM	34800 [10.2]	24500 [7.2]	10300 [3.0]	13.5	11.5	975 [460.1]	8049075
		RCF3621MTAM	36000 [10.6]	25400 [7.4]	10600 [3.1]	14.5	12	1000 [471.9]	8049079
		RCF3621STAM	34800 [10.2]	24500 [7.2]	10300 [3.0]	13.5	11.5	975 [460.1]	8049083
RA1342AC1	RHWB-04WMX36B	RCF4821MTAM	40000 [11.7]	26600 [7.8]	13400 [3.9]	14	11.5	1100 [519.1]	8086644
		RCF4821STAM	39500 [11.6]	28200 [8.3]	11300 [3.3]	13.5	11.5	1200 [566.3]	8049112
RA1342AC1	RHWB-06WMX48B	RCF4821MTAM	41000 [12.0]	29100 [8.5]	11900 [3.5]	13.5	11.5	1375 [648.9]	8086645
		RCF4821STAM	40000 [11.7]	29000 [8.5]	11000 [3.2]	13.5	11.5	1250 [589.9]	8049113
RA1342AJ1	RHWB-04WMX36B	RCF4821MTAM	40000 [11.7]	26600 [7.8]	13400 [3.9]	14	11.5	1100 [519.1]	8086700
		RCF4821STAM	39500 [11.6]	28200 [8.3]	11300 [3.3]	13.5	11.5	1200 [566.3]	8049144
RA1342AJ1	RHWB-06WMX48B	RCF4821MTAM	41000 [12.0]	29100 [8.5]	11900 [3.5]	13.5	11.5	1375 [648.9]	8086701
		RCF4821STAM	40000 [11.7]	29000 [8.5]	11000 [3.2]	13.5	11.5	1250 [589.9]	8049145
RA1348AC1	RHWB-04WMX36B	RCF4821MTAM	47500 [13.9]	31300 [9.2]	16200 [4.7]	13	11.5	1325 [625.3]	8086739
		RCF4821STAM	46500 [13.6]	32000 [9.4]	14500 [4.2]	13	11	1325 [625.3]	8049177
RA1348AC1	RHWB-06WMX48B	RCF4821MTAM	48000 [14.1]	32000 [9.4]	16000 [4.7]	13	11.5	1350 [637.1]	8086740
RA1348AC1	RHWB-08WRX60B	RCF4824STAM	47000 [13.8]	32500 [9.5]	14500 [4.2]	13.5	11.5	1325 [625.3]	8049188
RA1348AC1	RHWB-10WRX60B	RCF4824STAM	48000 [14.1]	34600 [10.1]	13400 [3.9]	13.5	11.5	1500 [707.9]	8049189
RA1348AJ1	RHWB-04WMX36B	RCF4821MTAM	47500 [13.9]	31300 [9.2]	16200 [4.7]	13	11.5	1325 [625.3]	8086775
		RCF4821STAM	46500 [13.6]	32000 [9.4]	14500 [4.2]	13	11	1325 [625.3]	8049212
RA1348AJ1	RHWB-06WMX48B	RCF4821MTAM	48000 [14.1]	32000 [9.4]	16000 [4.7]	13	11.5	1350 [637.1]	8086776
RA1348AJ1	RHWB-08WRX60B	RCF4824STAM	47000 [13.8]	32500 [9.5]	14500 [4.2]	13.5	11.5	1325 [625.3]	8049223
RA1348AJ1	RHWB-10WRX60B	RCF4824STAM	48000 [14.1]	34600 [10.1]	13400 [3.9]	13.5	11.5	1500 [707.9]	8049224
RA1360AC1	RHWB-08WRX60B	RCF6024STAM	56000 [16.4]	38900 [11.4]	17100 [5.0]	13.5	11.5	1500 [707.9]	8049254
RA1360AC1	RHWB-10WRX60B	RCF6024STAM	57500 [16.9]	42200 [12.4]	15300 [4.5]	13.5	11.5	1725 [814.1]	8049255
RA1360AJ1	RHWB-08WRX60B	RCF6024STAM	56000 [16.4]	38900 [11.4]	17100 [5.0]	13.5	11.5	1500 [707.9]	8049285
RA1360AJ1	RHWB-10WRX60B	RCF6024STAM	57500 [16.9]	42200 [12.4]	15300 [4.5]	13.5	11.5	1725 [814.1]	8049286

[] Designates Metric Conversions



GUIDE SPECIFICATIONS

General

System Description

Outdoor-mounted, air-cooled, split-system air conditioner composite base pan unit suitable for ground or rooftop installation. Unit consists of a hermetic compressor, an air-cooled coil, propeller-type condenser fan, suction and legend line service valve, and a control box. Unit will discharge supply air upward as shown on contract drawings. Unit will be used in a refrigeration circuit to match up to a coil unit.

Quality Assurance

- Unit will be rated in accordance with the latest edition of AHRI Standard 210.
- Unit will be certified for capacity and efficiency, and listed in the latest AHRI directory.
- Unit construction will comply with latest edition of ANSI/ASHRAE and with NEC.
- Unit will be constructed in accordance with UL standards and will carry the UL label of approval. Unit will have c-UL-us approval.
- Unit cabinet will be capable of withstanding ASTM B117 1000-hr salt spray test.
- Air-cooled condenser coils will be leak tested at 150 psig and pressure tested at 550 psig.
- Unit constructed in ISO9001 approved facility.

Delivery, Storage, and Handling

- Unit will be shipped as single package only and is stored and handled per unit manufacturer's recommendations.

Warranty (for inclusion by specifying engineer) – U.S. and Canada only.

Products

Equipment

Factory assembled, single piece, air-cooled air conditioner unit. Contained within the unit enclosure is all factory wiring, piping, controls, compressor, refrigerant charge R-410A, and special features required prior to field start-up.

Unit Cabinet

- Unit cabinet will be constructed of galvanized steel, bonderized, and coated with a powder coat paint.
- All units constructed with louver coil protection and corner post. Louver can be removed by removing one fastener per louver panel.

AIR-COOLED, SPLIT-SYSTEM AIR CONDITIONER

RA13

1-1/2 TO 5 NOMINAL TONS

Fans

- Condenser fan will be direct-drive propeller type, discharging air upward.
- Condenser fan motors will be totally enclosed, 1-phase type with class B insulation and permanently lubricated bearings. Shafts will be corrosion resistant.
- Fan blades will be statically and dynamically balanced.
- Condenser fan openings will be equipped with coated steel wire safety guards.

Compressor

- Compressor will be hermetically sealed.
- Compressor will be mounted on rubber vibration isolators.

Condenser Coil

- Condenser coil will be air cooled.
- Coil will be constructed of aluminum fins mechanically bonded to copper tubes.

Refrigeration Components

- Refrigeration circuit components will include liquid-line shutoff valve with sweat connections, vapor-line shutoff valve with sweat connections, system charge of R-410A refrigerant, and compressor oil.
- Unit will be equipped with filter drier for R-410A refrigerant for field installation.

Operating Characteristics

- The capacity of the unit will meet or exceed _____ Btuh at a suction temperature of _____ °F/°C. The power consumption at full load will not exceed _____ kW.
- Combination of the unit and the evaporator or fan coil unit will have a total net cooling capacity of _____ Btuh or greater at conditions of _____ CFM entering air temperature at the evaporator at _____ °F/°C wet bulb and _____ °F/°C dry bulb, and air entering the unit at _____ °F/°C.
- The system will have a SEER of _____ Btuh/watt or greater at DOE conditions.

Electrical Requirements

- Nominal unit electrical characteristics will be _____ v, single phase, 60 hz. The unit will be capable of satisfactory operation within voltage limits of _____ v to _____ v.
- Nominal unit electrical characteristics will be _____ v, three phase, 60 hz. The unit will be capable of satisfactory operation within voltage limits of _____ v to _____ v.
- Unit electrical power will be single point connection.
- Control circuit will be 24v.

Special Features

- Refer to section of this literature identifying accessories and descriptions for specific features and available enhancements.

GENERAL TERMS OF LIMITED WARRANTY*

Rheem will furnish a replacement for any part of this product which fails in normal use and service within the applicable period stated, in accordance with the terms of the limited warranty.

Conditional Parts
(Registration Required)Ten (10) Years

***For complete details of the Limited and Conditional Warranties, including applicable terms and conditions, contact your local contractor or the Manufacturer for a copy of the product warranty certificate.**



The new degree of comfort.™

In keeping with its policy of continuous progress and product improvement, Rheem reserves the right to make changes without notice.

Rheem Heating, Cooling & Water Heating • P.O. Box 17010
Fort Smith, Arkansas 72917 • www.rheem.com

Rheem Canada Ltd./Ltée • 125 Edgeware Road, Unit 1
Brampton, Ontario • L6Y 0P5



INTEGRATED HOME COMFORT

PRINTED IN U.S.A. 11/15 QG FORM NO. A11-221 REV. 4