



**RGED**

Parts List  
18-April-2014

Form No. 92-42800-RGED

*This parts list is current as of the above revision date.  
See <http://www.rheempartslists.net/92-42800-RGED.pdf> for the current revision.*

**90% Gas Furnaces**

# Table of Contents

Model Explanation .....	Page 3
<b>Parts Numbers</b>	
Panels - Miscellaneous .....	Page 4
Electrical Group .....	Page 5
Blower Group.....	Page 5
Heat Exchanger-Burner Group.....	Page 6
Gas Controls .....	Page 7
<b>Drawings/Photographs</b>	
Exploded View .....	Page 8
Cut-away View .....	Page 8
Control Box.....	Page 9
Blower Assembly .....	Page 9
Primary Heat Exchanger Assembly .....	Page 10
Secondary Heat Exchanger Assembly .....	Page 10
Burner Assembly .....	Page 11
Notes/Disclaimer .....	Page 12

**MODEL NUMBER EXPLANATION**

<b>R</b>	<b>G</b>	<b>E</b>	<b>D</b>	<b>-</b>	<b>0</b>	<b>4</b>	<b>E</b>	<b>M</b>	<b>A</b>	<b>E</b>	<b>S</b>
(1)	(2)	(3)	(4)			(5)		(6)	(7)	(8)	(9)

- |   |   |
|---|---|
| <p>(1) <b>TRADE NAME</b></p> <p>(2) <b>GAS FURNACE</b></p> <p>(3) <b>UPFLOWING CONDENSING</b></p> <p>(4) <b>DESIGN SERIES</b></p> <p>(5) <b>HEATING INPUT DESIGNATION</b><br/>         04 = 45,000 BTU/HR<br/>         06 = 60,000 BTU/HR<br/>         07 = 75,000 BTU/HR<br/>         09 = 90,000 BTU/HR<br/>         10 = 105,000 BTU/HR<br/>         12 = 120,000 BTU/HR</p> | <p>(6) <b>BLOWER DESIGNATION</b><br/>         M = 11 x 7<br/>         R = 11 x 10</p> <p>(7) <b>VARIATIONS</b><br/>         A = Standard</p> <p>(8) <b>AIRFLOW</b><br/>         E = 1100-1300 CFM<br/>         G = 1500-1700 CFM<br/>         J = 1800 - 2100 CFM</p> <p>(9) <b>FUEL CODE</b><br/>         B = Canadian Natural Gas<br/>         S = U.S. Natural Gas</p> |
|---|---|

E = Electric  
 N = Electric w/NOX

**SERIAL NUMBER EXPLANATION**

<b>B</b>	<b>U</b>	<b>5</b>	<b>D</b>	<b>3</b>	<b>0</b>	<b>7</b>	<b>M</b>	<b>2</b>	<b>2</b>	<b>9</b>	<b>1</b>	<b>0</b>	<b>0</b>	<b>0</b>	<b>0</b>
(1)	(2)	(3)	(4)	(5)	(6)	(7)	(8)	(9)	(10)						

- |  |  |
|--|--|
| <p>(1) <b>GAS CODE</b></p> <p>(2) <b>LIMIT CONTROL</b></p> <p>(3) <b>BLOWER</b></p> <p>(4) <b>HEATING ELEMENT</b></p> <p>(5) <b>SPECIAL AREA REQUIREMENT</b></p> | <p>(6) <b>MOTOR HORSEPOWER</b></p> <p>(7) <b>PLANT</b><br/>         M = Milledgeville, GA</p> <p>(8) <b>WEEK</b></p> <p>(9) <b>YEAR</b></p> <p>(10) <b>PRODUCTION NUMBER</b></p> |
|--|--|

No.	Notes	MODEL HEATING CAPACITY BLOWER DESIGNATION VARIATIONS AIRFLOW FUEL DESIGNATION	RGED-	RGED-	RGED-	RGED-	RGED-	RGED-
			04E M A E B/S	06E M A E B/S	07E M A G B/S	09E R A J B/S	10E R A J B/S	12E R A J B/S
<b>PANELS, SHEET METAL, MISCELLANEOUS</b>								
1		Jacket	AS-61535-01	AS-61535-01	AS-61535-01	AS-61535-02	AS-61535-02	AS-61535-02
		Base Pan	AE-61229-04	AE-61229-04	AE-61229-04	AE-61229-05	AE-61229-05	AE-61229-05
2		Top Plate	AS-63631-01	AS-63631-01	AS-63631-01	AS-63631-02	AS-63631-02	AS-63631-02
3		Front Door	AS-61557-01	AS-61557-01	AS-61557-01	AS-61557-02	AS-61557-02	AS-61557-02
4		Blower Door	AS-61524-04	AS-61524-04	AS-61524-04	AS-61524-05	AS-61524-05	AS-61524-05
5		Control Box Cover	AE-61422-02	AE-61422-02	AE-61422-02	AE-61422-02	AE-61422-02	AE-61422-02
		Filter Frame	AE-60749-07	AE-60749-07	AE-60749-07	AE-60749-07	AE-60749-07	AE-60749-07
		Filter	54-19655-07	54-19655-07	54-19655-07	54-19655-19	54-19655-19	54-19655-19
6		Condensate Trap	68-22671-01	68-22671-01	68-22671-01	68-22671-01	68-22671-01	68-22671-01
7		Combustion Air Inlet Collar	68-22036-01	68-22036-01	68-22036-01	68-22822-01	68-22822-01	68-22822-01
8		Combustion Air Inlet Extension	68-22733-06	68-22733-06	68-22733-06	68-22733-06	68-22733-06	68-22733-06
9		1/8 in. Polyvinyl Tubing (Burner to Gas Valve)	AE-63624-04	AE-63624-04	AE-63624-04	AE-63624-04	AE-63624-04	AE-63624-04
10		1/8 in. Polyvinyl Tubing (Burner to Pressure Switch)	AE-63624-05	AE-63624-05	AE-63624-05	AE-63624-05	AE-63624-05	AE-63624-05
11		3/16 in. Polyvinyl Tubing (Pressure Switch to Collector Box)	AE-63625-01	AE-63625-01	AE-63625-01	AE-63625-01	AE-63625-01	AE-63625-01
12		Latex Tubing w/Clamps (Collector Box to Trap)	79-22909-81	79-22909-81	79-22909-81	79-22909-81	79-22909-81	79-22909-81
13		Elbow	68-22732-01	68-22732-01	68-22732-01	68-22732-01	68-22732-01	68-22732-01
14		Latex Tubing w/Clamps (Exhaust Transition to Trap)	79-22909-82	79-22909-82	79-22909-82	79-22909-82	79-22909-82	79-22909-82
15		Exhaust Transition	68-22675-01	68-22675-01	68-22675-01	68-22675-01	68-22675-01	68-22675-01
16		Flexible Coupling	79-22676-01	79-22676-01	79-22676-01	79-22676-01	79-22676-01	79-22676-01
17		Flexible Coupling Hose Clamp (2)	79-21995-02	79-21995-02	79-21995-02	79-21995-02	79-21995-02	79-21995-02
18		Vent Extension Assembly	68-22733-02	68-22733-02	68-22733-02	68-22733-02	68-22733-02	68-22733-02
19		Rubber Coupling	79-22466-03	79-22466-03	79-22466-03	79-22466-03	79-22466-03	79-22466-03
20		Vent Collar	68-22036-01	68-22036-01	68-22036-01	68-22822-01	68-22822-01	68-22822-01
21		Rubber Coupling Hose Clamps (2)	79-22523-05	79-22523-05	79-22523-05	79-22523-05	79-22523-05	79-22523-05
22		Horizontal Vent Assembly	AS-61457-01	AS-61457-01	AS-61457-01	AS-61457-01	AS-61457-01	AS-61457-01
23		Horizontal Vent Subassembly	68-22045-03	68-22045-03	68-22045-03	68-22045-03	68-22045-03	68-22045-03
		Touch-up Paint - Platinum (Aerosol)	523012	523012	523012	523012	523012	523012
		Touch-up Paint - Platinum (Paint Pens)	523013	523013	523013	523013	523013	523013
		Touch-up Paint - Green (Aerosol)	52-18662-48	52-18662-48	52-18662-48	52-18662-48	52-18662-48	52-18662-48
		Touch-up Paint - Green (Paint Pens)	523010	523010	523010	523010	523010	523010

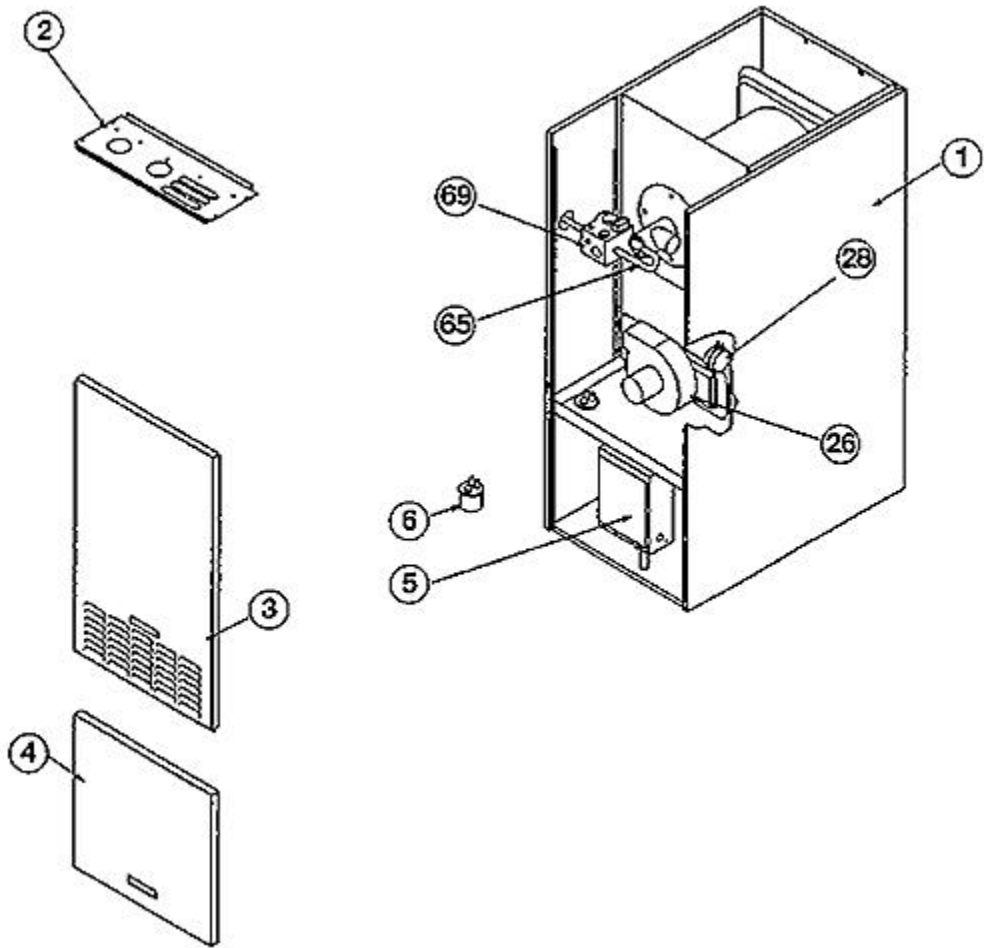
No.	Notes	MODEL HEATING CAPACITY BLOWER DESIGNATION VARIATIONS AIRFLOW FUEL DESIGNATION	RGED-	RGED-	RGED-	RGED-	RGED-	RGED-
			04E M A E B/S	06E M A E B/S	07E M A G B/S	09E R A J B/S	10E R A J B/S	12E R A J B/S
<b>ELECTRIC GROUP</b>								
25	Stk	Limit - Main Limit (Heat Exchanger Panel)	47-21711-04	47-21711-04	47-21711-11	47-21711-11	47-21711-04	47-21711-10
		Gasket (Limit - Main Limit)	68-18724-02	68-18724-02	68-18724-02	68-18724-02	68-18724-02	68-18724-02
26	Stk	Induced Draft Blower w/Gasket	70-22436-02	70-22436-02	70-22436-02	70-22436-02	70-22436-02	70-22436-02
44		Gasket - Induced Draft Blower	68-23497-01	68-23497-01	68-23497-01	68-23497-01	68-23497-01	68-23497-01
27	Stk	Limit - Manual Reset (Burner Compartment)	47-22453-02	47-22453-02	47-22453-02	47-22453-02	47-22453-02	47-22453-02
28	Stk	Pressure Switch - Differential	42-22905-09	42-22905-06	42-22905-06	42-22905-09	42-22905-06	42-22905-03
28	Stk	Pressure Switch - High Altitude (2000-6999')	42-22905-11	42-22905-11	42-22905-11	42-22905-11	42-22905-11	42-22905-11
28	Stk	Pressure Switch - High Altitude (7000-10000')	42-22905-12	42-22905-12	42-22905-12	42-22905-12	42-22905-12	42-22905-12
29	Stk	Transformer	46-18788-06	46-18788-06	46-18788-06	46-18788-06	46-18788-06	46-18788-06
30		Door Switch	42-21268-04	42-21268-04	42-21268-04	42-21268-04	42-21268-04	42-21268-04
		Time Delay Relay Kit - 10 Second Delay	47-23433-83	47-23433-83	47-23433-83	47-23433-83	47-23433-83	47-23433-83

No.	Notes	MODEL HEATING CAPACITY BLOWER DESIGNATION VARIATIONS AIRFLOW FUEL DESIGNATION	RGED-	RGED-	RGED-	RGED-	RGED-	RGED-
			04E M A E B/S	06E M A E B/S	07E M A G B/S	09E R A J B/S	10E R A J B/S	12E R A J B/S
<b>BLOWER GROUP</b>								
31	Stk	Blower Assembly (Includes items 32-37)	AS-61435-17	AS-61435-16	AS-61435-05	AS-61435-08	AS-61435-08	AS-61435-08
32		Housing	AS-61255-05	AS-61255-05	AS-61255-05	AS-61369-01	AS-61369-01	AS-61369-01
33		Motor Bracket Assembly (Motor Band, Arms, Mounting Hardware)	AS-53148-01	AS-53148-01	AS-53148-01	AS-53148-01	AS-53148-01	AS-53148-01
		Motor Band	70-19927-01	70-19927-01	70-19927-01	70-19927-01	70-19927-01	70-19927-01
		Arm Assembly (3)	70-19929-03	70-19929-03	70-19929-03	70-19929-03	70-19929-03	70-19929-03
34		Cut-Off	AE-64401-22	AE-64401-22	AE-64401-22	AE-64401-18	AE-64401-18	AE-64401-18
35	Stk	Blower Motor	51-22636-01	51-22653-01	51-19069-02	51-21459-02	51-21459-02	51-21459-02
36	Stk	Blower Wheel	70-21476-01	70-21476-01	70-21476-01	70-20602-01	70-20602-01	70-20602-01
37	Stk	Capacitor - Blower Motor	43-20847-10	43-20847-03	43-20847-10	43-100496-3 8	43-100496-3 8	43-100496-38

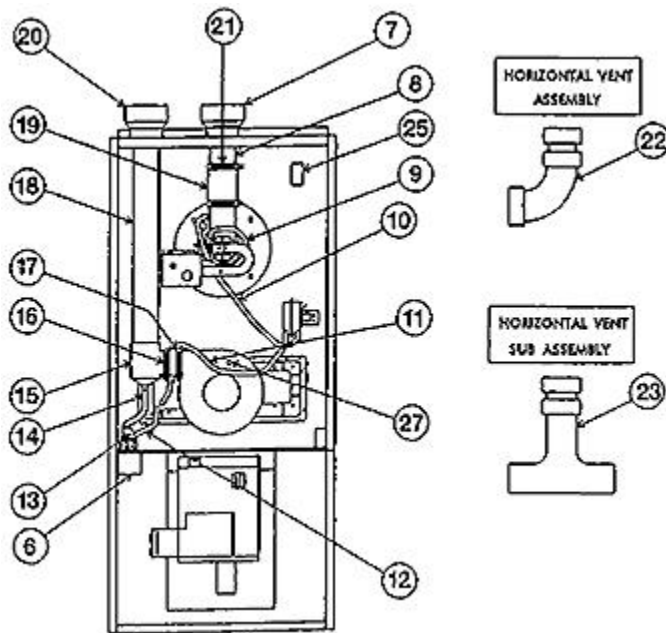
No.	Notes	MODEL HEATING CAPACITY BLOWER DESIGNATION VARIATIONS AIRFLOW FUEL DESIGNATION	RGED- 04E M A E B/S	RGED- 06E M A E B/S	RGED- 07E M A G B/S	RGED- 09E R A J B/S	RGED- 10E R A J B/S	RGED- 12E R A J B/S
<b>HEAT EXCHANGER / SECONDARY COIL</b>								
<b>WARNING: DO NOT USE ANY OF THESE REPLACEMENT PARTS ON THE RGEC MODEL FURNACE. KIT PARTS CANNOT BE ORDERED INDIVIDUALLY UNLESS THE INDIVIDUAL PART NUMBER IS LISTED.</b>								
38	Stk	<b>HEAT EXCHANGER KIT CONSISTING OF THE FOLLOWING NINE ITEMS:</b>	RXGZ-BU21	RXGZ-BU21	RXGZ-BU21	RXGZ-BU24	RXGZ-BU24	RXGZ-BU24
39	2	Heat Exchanger	N/A	N/A	N/A	N/A	N/A	N/A
40	2	Center Panel w/Air Baffle	N/A	N/A	N/A	N/A	N/A	N/A
41		Front Gasket	68-22950-04	68-22950-04	68-22950-04	68-22950-04	68-22950-04	68-22950-04
42		Burner Body Gasket	68-22703-02	68-22703-02	68-22703-02	68-22703-02	68-22703-02	68-22703-02
43		Insulation TAPE (Between Heat Exchanger and Secondary)	68-21812-04	68-21812-04	68-21812-04	68-21812-04	68-21812-04	68-21812-04
44		Induced Draft Blower Gasket	68-23497-01	68-23497-01	68-23497-01	68-23497-01	68-23497-01	68-23497-01
	2	Heat Exchanger Support	N/A	N/A	N/A	N/A	N/A	N/A
	2	Insulation	N/A	N/A	N/A	N/A	N/A	N/A
	2	Screws and Nuts	N/A	N/A	N/A	N/A	N/A	N/A
45	Stk	<b>SECONDARY HEAT EXCHANGER COIL KIT CONSISTING OF THE FOLLOWING FIVE ITEMS:</b>	AS-61764-01	AS-61764-01	AS-61764-02	AS-61764-03	AS-61764-04	AS-61764-05
46	2	Secondary Coil	N/A	N/A	N/A	N/A	N/A	N/A
47		Rear Gasket	68-21812-04	68-21812-04	68-21812-04	68-21502-82	68-21502-82	68-21502-82
48		Collector Box	68-22657-01	68-22657-01	68-22657-01	68-22657-02	68-22657-02	68-22657-02
49		Collector Box Gasket	68-22493-81	68-22493-81	68-22493-81	68-22493-81	68-22493-81	68-22493-81
	2	Screws	N/A	N/A	N/A	N/A	N/A	N/A

No.	Notes	MODEL HEATING CAPACITY BLOWER DESIGNATION VARIATIONS AIRFLOW FUEL DESIGNATION	RGED- 04E M A E B/S	RGED- 06E M A E B/S	RGED- 07E M A G B/S	RGED- 09E R A J B/S	RGED- 10E R A J B/S	RGED- 12E R A J B/S
<b>BURNER / MANIFOLD</b>								
50	Stk	Complete Burner Assembly - Body, Head With Sight Glass, Ignitor and Gaskets	AS-63630-92	AS-63630-83	AS-63630-84	AS-63630-85	AS-63630-86	AS-63630-87
51	Stk	Burner Body Assembly	75-22662-91	75-22662-91	75-22662-92	75-22662-92	75-22662-93	75-22662-93
52		Connector (2)	79-22435-01	79-22435-01	79-22435-01	79-22435-01	79-22435-01	79-22435-01
		Sight Glass Kit (w/Retainer and Screws)	AS-56507-01	AS-56507-01	AS-56507-01	AS-56507-01	AS-56507-01	AS-56507-01
54	Stk	<b>BURNER HEAD KIT CONSISTING OF THE FOLLOWING FIVE ITEMS:</b>	75-23449-94	75-23449-95	75-23449-96	75-23449-97	75-23449-98	75-23449-99
55	2	Burner Head	N/A	N/A	N/A	N/A	N/A	N/A
56		Burner Body Gasket	68-22703-02	68-22703-02	68-22703-02	68-22703-02	68-22703-02	68-22703-02
57		Target Plate Diffuser	75-22662-90	75-22662-90	75-22662-90	75-22662-90	75-22662-90	75-22662-90
58		Target Plate Diffuser Gasket Kit (w/Nuts, Gaskets, and screws)	68-22767-81	68-22767-81	68-22767-81	68-22767-81	68-22767-81	68-22767-81
59		Inlet Restrictor Plate	AE-66978-10	AE-66978-07	AE-66978-08	AE-66978-03	AE-66978-04	AE-66978-09
60		Inlet Restrictor Gasket	68-22921-01	68-22921-01	68-22921-01	68-22921-01	68-22921-01	68-22921-01
61	Stk	<b>IGNITOR KIT CONSISTING OF THE FOLLOWING SEVEN ITEMS:</b>	62-22669-92	62-22669-92	62-22669-92	62-22669-92	62-22669-92	62-22669-92
62	2	Ignitor	N/A	N/A	N/A	N/A	N/A	N/A
63		Heat Shield Kit w/Screws	AS-63672-81	AS-63672-81	AS-63672-81	AS-63672-81	AS-63672-81	AS-63672-81
64		Ignitor Gasket	68-22825-01	68-22825-01	68-22825-01	68-22825-01	68-22825-01	68-22825-01
65	Stk	Manifold (w/o Orifices)	81-22710-01	81-22710-01	81-22710-01	81-22710-01	81-22710-01	81-22710-01
66		Burner Seal Plate	AE-63673-01	AE-63673-01	AE-63673-01	AE-63673-01	AE-63673-01	AE-63673-01
67		Brass Nipple - 1/8 in.	81-22946-01	81-22946-01	81-22946-01	81-22946-01	81-22946-01	81-22946-01
68	Stk	Burner Orifice - Natural Gas (6 Port)	62-22947-53	62-22947-51	62-22947-48	62-22947-44	62-22947-42	62-22947-39
68	Stk,1	Burner Orifice - LP (6 Port - U.S. Models)	62-22947-65	62-22947-60	62-22947-97	62-22947-95	62-22947-01	62-22947-93
	Stk,1	Burner Orifice - LP (6 Port - Canadian Models 0-4500)	62-22947-65	62-22947-61	62-22947-98	62-22947-96	62-22947-55	62-22947-02

No.	Notes	MODEL GAS CODE	RGED BU	RGED CQ	RGED CZ
<b>GAS CONTROLS</b>					
24	Stk,4	Integrated Ignition and Blower Control	62-22737-02	62-22737-09	62-22737-09
	Stk,4	Gas Valve - Natural Gas	60-22525-05	60-22525-05	60-23490-02
	Stk,1,3,4	Gas Valve - LP	See Note 3	See Note 3	See Note 3
	Stk,1,4	LP Spring Conversion Assembly	60-18759-06	60-18759-06	60-21193-01
		<b>LP Conversion Kits:</b>			
	Stk,4	U.S. Models	EP-73R	EP-73R	EP-77W
	Stk,4	Canadian Models 0-1999'	EP-74R	EP-74R	N/A
	Stk,4	Canadian Models 2000-4500'	EP-75R	EP-75R	N/A

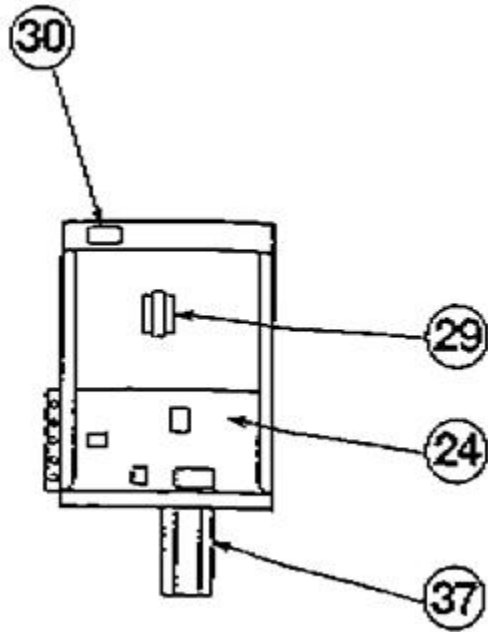


Exploded View

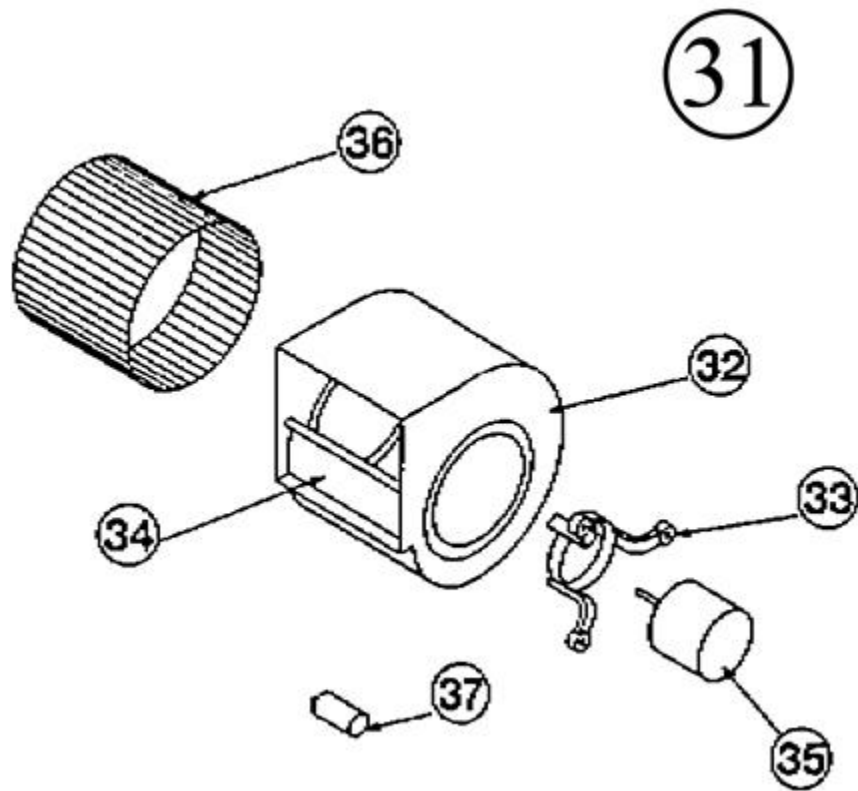


Cut-away View

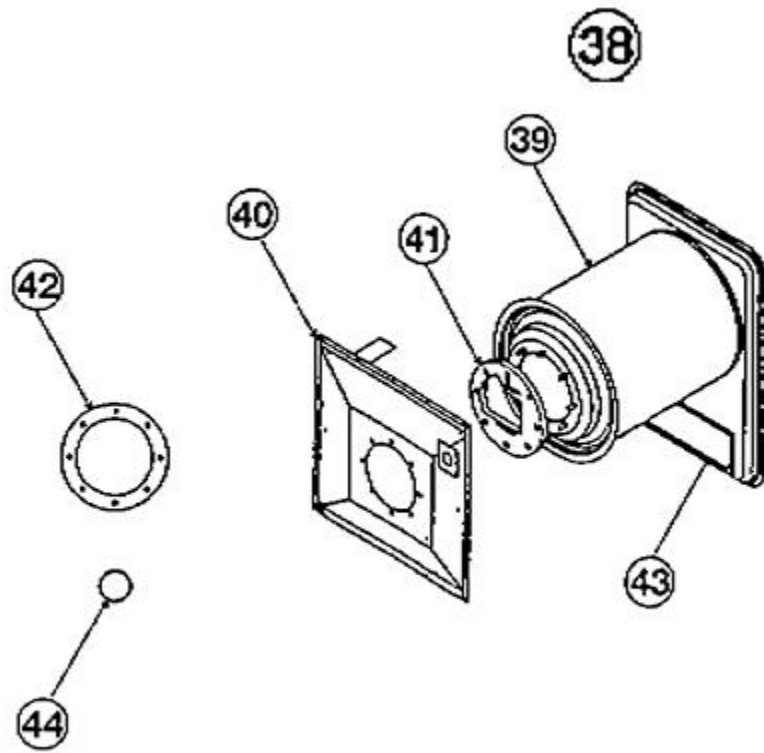




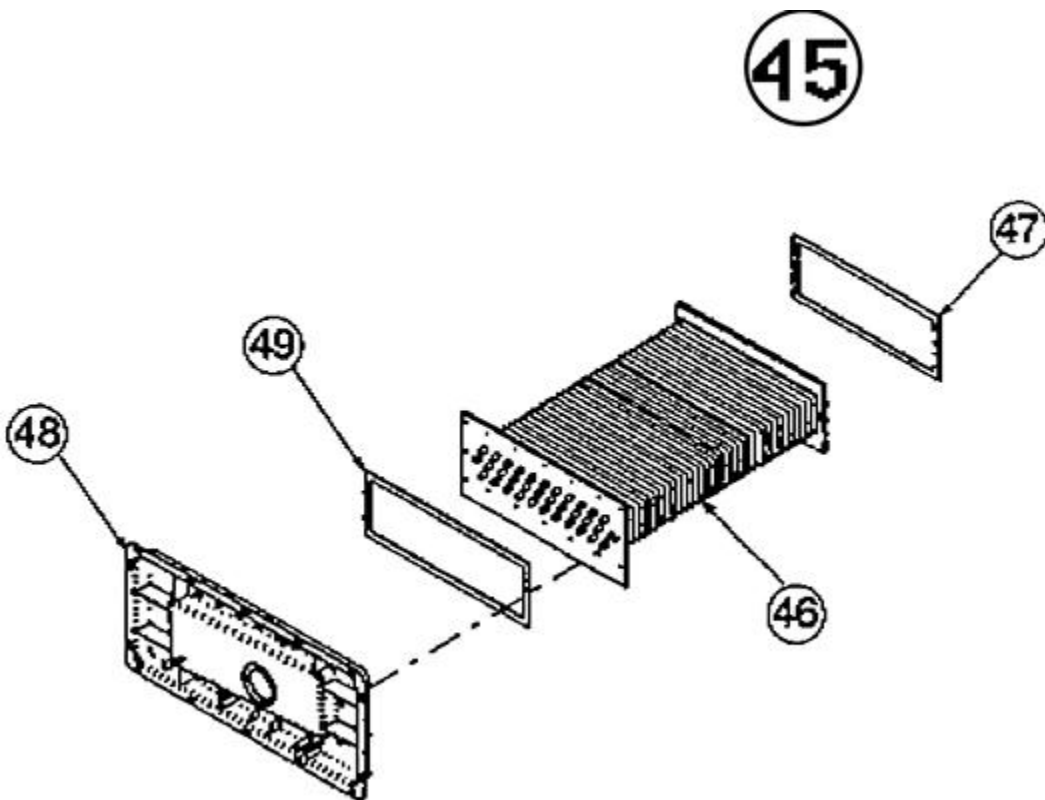
Control Box



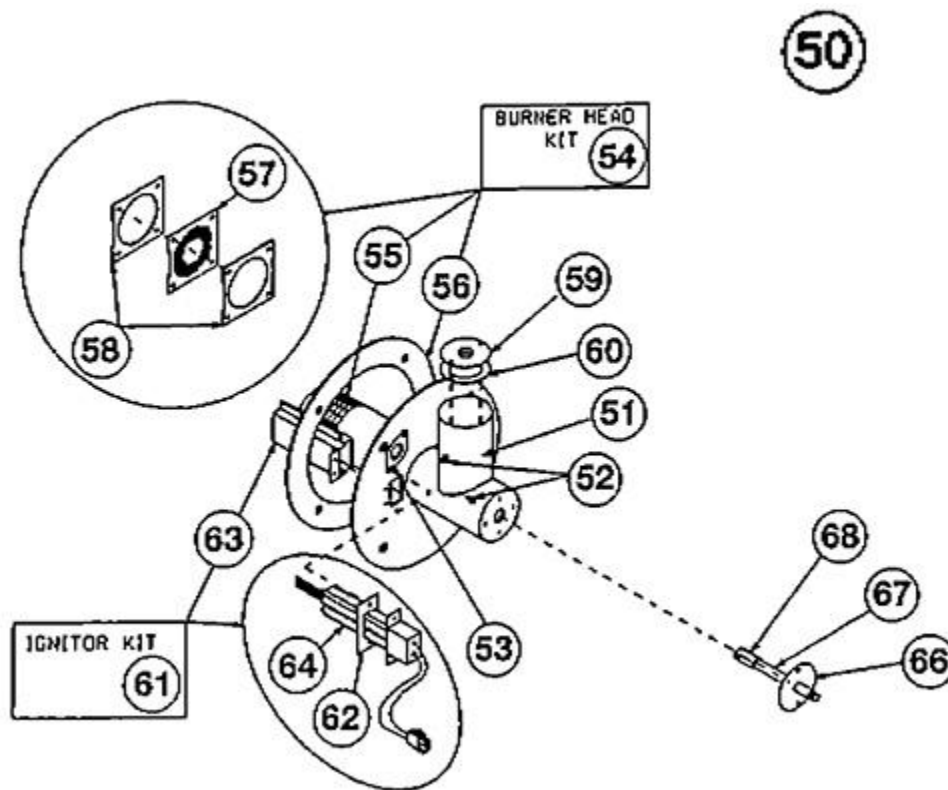
Blower Assembly



Primary Heat Exchanger Assembly



Secondary Heat Exchanger Assembly



Burner Assembly

# NOTES

Stk It is recommended that stock be maintained for this part.

N/A Not Applicable

- 1 These parts are to be used only as repair parts for units which have been converted to LP by the appropriate Conversion Kit.
- 2 This part is not available individually. Please order complete kit.
- 3 Order Natural Gas Valve and specified LP Spring Conversion Assembly.
- 4 Gas Code CZ was originally QAE61 project.

**DISCLAIMER:** This document is intended to provide general replacement parts information to aid qualified service personnel in the repair of these models. The complete Model and Serial Number of the unit under repair should be specified when selecting and ordering replacement parts. Specifications and illustrations are subject to change without notice. Document 92-42800-RGED supersedes all previous parts lists for these models. See <http://www.rheempartslists.net/92-42800-RGED> for the latest revision of this document. The manufacturer assumes no obligation for errors or omissions. Service personnel must verify the proper and safe operation of equipment after the replacement of any original components.