



RRNA-B

Parts List
24-July-2008



*This parts list is current as of the above revision date.
See <http://www.rheempartslists.net/92-42800-RRNA-B.pdf> for the current revision.*

Package Gas-Electric

Table of Contents

Model Explanation	Page 3
Parts Numbers	
Panels - Miscellaneous 024-036	Page 4
Panels - Miscellaneous 042-060	Page 5
Electrical Group (1)	Page 6
Electrical Group (2)	Page 7
Fan Group	Page 8
Blower Group	Page 9
Coil Parts	Page 10
Compressor Group	Page 11
Heat Exchanger-Burner Group	Page 12
Gas Controls	Page 13
Accessories	Page 13
Orifice Selection Chart	Page 14
Drawings/Photographs	
Exploded View	Page 15
Control Access Panel Detail	Page 16
Electrical Control Box	Page 17
Blower Assembly	Page 18
Evaporator Coil Assembly	Page 19
Condenser Coil	Page 20
Compressor and Refrigeration Components	Page 21
Heat Exchanger Assembly	Page 22
Burner Assembly	Page 23
Notes/Disclaimer	Page 24

MODEL NUMBER EXPLANATION

R	R	N	A	-	B	0	3	6	J	K	1	0	E	A	J	A
1	2	3	4		5		6		7	8	9		10		11	

- | | |
|--|---|
| <p>(1) TRADENAME IDENTIFICATION</p> <p>(2) PRODUCT CLASSIFICATION
R = Rooftop</p> <p>(3) EFFICIENCY DESIGNATION
N = 13 SEER</p> <p>(4) DESIGN SERIES
A = FIRST DESIGN</p> <p>(5) TECHNICAL VARIATION</p> <p>(6) COOLING CAPACITY (BTU/HR)
024 = 24,000 042 = 42,000
030 = 30,000 048 = 48,000
036 = 36,000 060 = 60,000</p> <p>(7) ELECTRICAL DESIGNATION
J = 208-230V/1/60
C = 208-230V/3/60
D = 460V/3/60</p> <p>(8) DRIVE PACKAGE
K = Direct Drive</p> | <p>(9) HEATING CAPACITY - (MBH)
04 = 40,000
06 = 60,000
08 = 80,000
10 = 100,000</p> <p>(10) IGNITION SYSTEM
E = Electric
X = Electric w/NOX</p> <p>(11) OPTION CODES
AJA = Stainless Steel Heat Exchanger
AKA = Sideflow Option
BVA = Sideflow w/Stainless Steel Heat Exchanger</p> |
|--|---|

SERIAL NUMBER EXPLANATION

1	R	A	1	2	3	4	A	D	A	A	F	2	6	9	5	0	0	0	1
1	2		3				4	5	6	7	8	9		10				11	

- | | |
|--|---|
| <p>(1) GAS CODE</p> <p>(2) BLOWER CONTROL BOARD</p> <p>(3) COMPRESSOR IDENTIFICATION NUMBER</p> <p>(4) IGNITION DEVICE</p> <p>(5) INDUCER BLOWER</p> <p>(6) HEAT EXCHANGER</p> | <p>(7) TECHNOLOGY VARIATIONS</p> <p>(8) PLANT:
F = Fort Smith, AR</p> <p>(9) WEEK</p> <p>(10) YEAR</p> <p>(11) PRODUCTION NUMBER</p> |
|--|---|

No.	Notes	MODEL TECHNICAL VARIATION COOLING CAPACITY	RRNA B 024	RRNA B 030	RRNA B 036
PANELS, MISCELLANEOUS PARTS					
1		Front Base Pan	AS-58628-07	AS-58628-07	AS-58628-07
2		Base Rail (2)	AE-58562-03	AE-58562-03	AE-58562-03
3		Base Rail (2)	AE-58562-04	AE-58562-04	AE-58562-04
4		Back Base Pan	AS-58607-64	AS-58607-64	AS-58607-64
5		Blower Shelf	AS-58630-01	AS-58630-01	AS-58630-01
6		Blower Shelf Transition	AS-58607-19	AS-58607-19	AS-58607-19
7		Divider Panel	AS-58607-03	AS-58607-03	AS-58607-03
8		Bulkhead Assembly	AS-58607-62	AS-58607-62	AS-58607-55
9		Exhaust Hood	AS-58629-01	AS-58629-01	AS-58629-01
10		Combustion Air Inlet Hood	AE-58599-01	AE-58599-01	AE-58599-01
11		Corner Post	AS-58607-40	AS-58607-40	AS-58607-40
12		Blower Access Panel	AS-58607-09	AS-58607-09	AS-58607-09
13		End Panel	AS-58607-04	AS-58607-04	AS-58607-04
14		Supply Cover - Downflow	AS-58607-06	AS-58607-06	AS-58607-06
14		Supply Cover - Side Option "AKA"	AS-58607-35	AS-58607-35	AS-58607-35
15		Return Cover - Downflow	AS-58607-05	AS-58607-05	AS-58607-05
15		Return Cover - Side Option "AKA"	AS-58607-34	AS-58607-34	AS-58607-34
16		Top Panel	AS-58607-60	AS-58607-60	AS-58607-58
17		Grille	95-100906-08	95-100906-08	95-100906-08
18		Filter Access Panel	AS-58607-08	AS-58607-08	AS-58607-08
19		Condenser Louver Panel	AS-58607-61	AS-58607-61	AS-58607-61
20		Center Post	AE-58569-05	AE-58569-05	AE-58569-05
21		Control Access Panel	AS-58607-20	AS-58607-20	AS-58607-20
22		Control Box - (w/o components)	AE-58597-01	AE-58597-01	AE-58597-01
23		Control Box Cover	AE-58598-01	AE-58598-01	AE-58598-01
24		Furnace Shelf	AS-58607-11	AS-58607-11	AS-58607-11
25		Burner Floor	AE-58594-01	AE-58594-01	AE-58594-01
26		Exhaust Transition	AS-58607-36	AS-58607-36	AS-58607-36
27		Bulkhead Valve (2)	61-22369-04	61-22369-04	61-22369-04
28		Bulkhead Valve Locknut (2)	63-22368-01	63-22368-01	63-22368-01
		Bulkhead Valve Cap (2)	83-100635-01	83-100635-01	83-100635-01
		Heat Exchanger Tube Support	AE-58590-01	AE-58590-01	AE-58590-01
		Grommet - Gas Supply Piping	56-22114-01	56-22114-01	56-22114-01

No.	Notes	MODEL TECHNICAL VARIATION COOLING CAPACITY	RRNA B 042	RRNA B 048	RRNA B 060
PANELS, MISCELLANEOUS PARTS					
1		Front Base Pan	AS-58628-07	AS-58628-07	AS-58628-07
2		Base Rail (2)	AE-58562-03	AE-58562-03	AE-58562-03
3		Base Rail (2)	AE-58562-04	AE-58562-04	AE-58562-04
4		Back Base Pan	AS-58607-64	AS-58607-64	AS-58607-64
5		Blower Shelf	AS-58630-01	AS-58630-01	AS-58630-01
6		Blower Shelf Transition	AS-58607-19	AS-58607-19	AS-58607-19
7		Divider Panel	AS-58607-03	AS-58607-03	AS-58607-03
8		Bulkhead Assembly	AS-58607-57	AS-58607-57	AS-58607-57
9		Exhaust Hood	AS-58629-01	AS-58629-01	AS-58629-01
10		Combustion Air Inlet Hood	AE-58599-01	AE-58599-01	AE-58599-01
11		Corner Post	AS-58607-46	AS-58607-46	AS-58607-46
12		Blower Access Panel	AS-58607-47	AS-58607-47	AS-58607-47
13		End Panel	AS-58607-48	AS-58607-48	AS-58607-48
14		Supply Cover - Downflow	AS-58607-06	AS-58607-06	AS-58607-06
14		Supply Cover - Side Option "AKA"	AS-58607-35	AS-58607-35	AS-58607-35
15		Return Cover - Downflow	AS-58607-05	AS-58607-05	AS-58607-05
15		Return Civer - Side Option "AKA"	AS-58607-34	AS-58607-34	AS-58607-34
16		Top Panel	AS-58607-54	AS-58607-54	AS-58607-54
17		Grille	95-100906-08	95-100906-08	95-100906-08
18		Filter Access Panel	AS-58607-49	AS-58607-49	AS-58607-49
19		Condenser Louver Panel	AS-58607-56	AS-58607-56	AS-58607-56
20		Center Post	AE-58569-07	AE-58569-07	AE-58569-07
21		Control Access Panel	AS-58607-50	AS-58607-50	AS-58607-50
22		Control Box - (w/o components)	AE-58597-01	AE-58597-01	AE-58597-01
23		Control Box Cover	AE-58598-01	AE-58598-01	AE-58598-01
24		Furnace Shelf	AS-58607-11	AS-58607-11	AS-58607-11
25		Burner Floor	AE-58594-01	AE-58594-01	AE-58594-01
26		Exhaust Transition	AS-58607-36	AS-58607-36	AS-58607-36
27		Bulkhead Valve (2)	61-22369-04	61-22369-04	61-22369-04
28		Bulkhead Valve Locknut (2)	63-22368-01	63-22368-01	63-22368-01
		Bulkhead Valve Cap (2)	83-100635-01	83-100635-01	83-100635-01
		Heat Exchanger Tube Support	AE-58590-01	AE-58590-01	AE-58590-01
		Grommet - Gas Supply Piping	56-22114-01	56-22114-01	56-22114-01

No.	Notes	MODEL TECHNICAL VARIATION COOLING CAPACITY ELECTRICAL DESIGNATION	RRNA	RRNA	RRNA	RRNA	RRNA	RRNA
			B 024 J	B 030 J	B 036 J	B 042 J	B 048 J	B 060 J
ELECTRICAL GROUP								
31	Stk	Induced Draft Blower w/Gasket	70-23641-01	70-23641-01	70-23641-01	70-23641-01	70-23641-01	70-23641-01
		Gasket - Induced Draft Blower	68-23643-01	68-23643-01	68-23643-01	68-23643-01	68-23643-01	68-23643-01
33	Stk	Contacto	42-42728-03	42-42728-03	42-42728-03	42-42728-03	42-42728-03	42-42728-03
34	Stk	Pressure Switch	42-24335-20	42-24335-20	42-24335-20	42-24335-20	42-24335-20	42-24335-20
35	Stk	Transformer	46-100836-02	46-100836-02	46-100836-02	46-18788-05	46-18788-05	46-18788-05
36		Ground Lug	45-19000-01	45-19000-01	45-19000-01	45-19000-01	45-19000-01	45-19000-01
39		Integrated Furnace Control Board (IFC)	See Gas Controls					
57	Stk	Blower Relay	N/A	N/A	N/A	N/A	N/A	42-101208-02
73		Capacitor - Compressor/Fan	See Compressor Group					
		Capacitor - Blower Motor	See Blower Group					
84		Limit Control - Blower Shelf	See Heat Exchanger-Burner Group					
88		Limit Control - Roll Out	See Heat Exchanger-Burner Group					
		Compressor Wiring Harness (Molded Plug)	See Compressor Group					
		Wiring Harness - 9 pin to 9 insulated terminals	AS-102393-02	AS-102393-02	AS-102393-02	AS-102393-02	AS-102393-02	AS-102393-02
		Leadwire - from Flame Sensor to 9 pin Wiring Harness Plug	45-25323-02	45-25323-02	45-25323-02	45-25323-02	45-25323-02	45-25323-02
		ECM Wiring Harness - 16 pin to 5 terminals (2 insulated and 3 uninsulated)	N/A	N/A	N/A	N/A	N/A	45-24258-13
		ECM Wiring Harness - 5 pin to 2 quick connect and 1 ring terminal.	N/A	N/A	N/A	N/A	N/A	45-24258-12
		Capacitor Adaptor Plate (2 in. round capacitor)	AE-54609-01	AE-54609-01	AE-54609-01	AE-54609-01	AE-54609-01	AE-54609-01
		Capacitor Adaptor Plate (2 in. X 1-1/4 in. oval capacitor)	AE-54609-02	AE-54609-02	AE-54609-02	AE-54609-02	AE-54609-02	AE-54609-02

No.	Notes	MODEL TECHNICAL VARIATION COOLING CAPACITY ELECTRICAL DESIGNATION	RRNA	RRNA	RRNA	RRNA		
			B 036 C	B 042 C	B 048 C	B 060 C		
ELECTRICAL GROUP								
31	Stk	Induced Draft Blower w/Gasket	70-23641-01	70-23641-01	70-23641-01	70-23641-01		
		Gasket - Induced Draft Blower	68-23643-01	68-23643-01	68-23643-01	68-23643-01		
33	Stk	Contacto	42-22464-01	42-22464-01	42-22464-01	42-22464-01		
34	Stk	Pressure Switch	42-24335-20	42-24335-20	42-24335-20	42-24335-20		
35	Stk	Transformer	46-18788-05	46-18788-05	46-18788-05	46-18788-05		
36		Ground Lug	45-19000-01	45-19000-01	45-19000-01	45-19000-01		
39		Integrated Furnace Control Board (IFC)	See Gas Controls					
57	Stk	Blower Relay	N/A	N/A	N/A	42-101208-02		
73		Capacitor - Fan Motor	See Fan Group					
		Capacitor - Blower Motor	See Blower Group					
84		Limit Control - Blower Shelf	See Heat Exchanger-Burner Group					
88		Limit Control - Roll Out	See Heat Exchanger-Burner Group					
		Compressor Wiring Harness (Molded Plug)	See Compressor Group					
		Wiring Harness - 9 pin to 9 insulated terminals	AS-102393-02	AS-102393-02	AS-102393-02	AS-102393-02		
		Leadwire - from Flame Sensor to 9 pin Wiring Harness Plug	45-25323-02	45-25323-02	45-25323-02	45-25323-02		
		ECM Wiring Harness - 16 pin to 5 terminals (2 insulated and 3 uninsulated)	N/A	N/A	N/A	45-24258-13		
		ECM Wiring Harness - 5 pin to 2 quick connect and 1 ring terminal.	N/A	N/A	N/A	45-24258-12		
		Capacitor Adaptor Plate (2 in. round capacitor)	AE-54609-01	AE-54609-01	AE-54609-01	AE-54609-01		
		Capacitor Adaptor Plate (2 in. X 1-1/4 in. oval capacitor)	AE-54609-02	AE-54609-02	AE-54609-02	AE-54609-02		

No.	Notes	MODEL TECHNICAL VARIATION COOLING CAPACITY ELECTRICAL DESIGNATION	RRNA B 036 D	RRNA B 048 D	RRNA B 060 D			
ELECTRICAL GROUP								
31	Stk	Induced Draft Blower w/Gasket	70-23641-02	70-23641-02	70-23641-02			
		Gasket - Induced Draft Blower	68-23643-01	68-23643-01	68-23643-01			
33	Stk	Contactora	42-22464-01	42-22464-01	42-22464-01			
34	Stk	Pressure Switch	42-24335-20	42-24335-20	42-24335-20			
35	Stk	Transformer	46-102027-01	46-102027-01	46-102027-01			
36		Ground Lug	45-19000-01	45-19000-01	45-19000-01			
39		Integrated Furnace Control Board (IFC)	See Gas Controls					
57	Stk	Blower Relay	42-19736-05	42-19736-05	42-19736-05			
73		Capacitor - Compressor/Fan	See Compressor Group					
		Capacitor - Blower Motor	See Blower Group					
84		Limit Control - Blower Shelf	See Heat Exchanger-Burner Group					
88		Limit Control - Roll Out	See Heat Exchanger-Burner Group					
		Compressor Wiring Harness (Molded Plug)	See Compressor Group					
		Wiring Harness - 9 pin to 9 insulated terminals	AS-102393-02	AS-102393-02	AS-102393-02			
		Leadwire - from Flame Sensor to 9 pin Wiring Harness Plug	45-25323-02	45-25323-02	45-25323-02			
		Capacitor Adaptor Plate (2 in. round capacitor)	AE-54609-01	AE-54609-01	AE-54609-01			
		Capacitor Adaptor Plate (2 in. X 1-1/4 in. oval capacitor)	AE-54609-02	AE-54609-02	AE-54609-02			

No.	Notes	MODEL TECHNICAL VARIATION COOLING CAPACITY ELECTRICAL DESIGNATION	RRNA	RRNA	RRNA	RRNA	RRNA	RRNA
			B 024 J	B 030 J	B 036 J	B 042 J	B 048 J	B 060 J
FAN GROUP								
Note: 024, 030, and 036 units produced before October 2006 may have been produced with a different motor, capacitor, and fan blade combination than shown below. If replacing any of these components on older units, all three components must be changed in accordance with those listed below. Failure to do so may affect motor reliability and increase fan noise.								
37	Stk	Fan Motor	51-100999-24	51-100999-24	51-100999-24	51-100998-19	51-100998-19	51-100998-19
38	Stk	Fan Blade	70-101323-19	70-101323-19	70-101323-19	70-23594-02	70-23594-02	70-23594-02
73		Capacitor - Compressor/Fan	See Compressor Group					

No.	Notes	MODEL TECHNICAL VARIATION COOLING CAPACITY ELECTRICAL DESIGNATION	RRNA	RRNA	RRNA	RRNA		
			B 036 C	B 042 C	B 048 C	B 060 C		
FAN GROUP								
Note: 024, 030, and 036 units produced before October 2006 may have been produced with a different motor, capacitor, and fan blade combination than shown below. If replacing any of these components on older units, all three components must be changed in accordance with those listed below. Failure to do so may affect motor reliability and increase fan noise.								
37	Stk	Fan Motor	51-100999-24	51-100998-19	51-100998-19	51-100998-19		
38	Stk	Fan Blade	70-101323-19	70-23594-02	70-23594-02	70-23594-02		
73	Stk	Capacitor - Fan Motor	43-100496-04	43-100496-12	43-100496-12	43-100496-12		

No.	Notes	MODEL TECHNICAL VARIATION COOLING CAPACITY ELECTRICAL DESIGNATION	RRNA	RRNA	RRNA			
			B 036 D	B 048 D	B 060 D			
FAN GROUP								
37	Stk	Fan Motor	51-100998-26	51-100998-20	51-100998-20			
38	Stk	Fan Blade	70-101323-19	70-23594-02	70-23594-02			
73	Stk	Capacitor - Fan Motor	43-100496-03	43-100496-11	43-100496-11			

No.	Notes	MODEL TECHNICAL VARIATION COOLING CAPACITY ELECTRICAL DESIGNATION	RRNA	RRNA	RRNA	RRNA	RRNA	RRNA	
			B 024 J	B 030 J	B 036 J	B 042 J	B 048 J	B 060 J	
BLOWER GROUP									
	Stk	Blower Assembly (Includes items 51-56)	AS-58662-01	AS-58662-05	AS-58662-05	AS-58662-05	AS-58662-06	AS-58662-14	
51		Housing	AS-58619-01	AS-58619-02	AS-58619-02	AS-58619-02	AS-58619-02	AS-58619-02	
52	Stk	Blower Wheel	70-20218-01	70-18625-03	70-18625-03	70-18625-03	70-18625-03	70-18625-03	
53		Cut-Off	AE-64401-10	AE-64401-06	AE-64401-06	AE-64401-06	AE-64401-06	AE-64401-06	
54	Stk	Motor	51-23608-02	51-23609-04	51-23609-04	51-23609-04	51-23650-01	51-24376-15	
		Motor Mounting Bracket Assembly (includes 55, 56)	AS-53148-03	AS-53148-04	AS-53148-04	AS-53148-04	AS-53148-04	N/A	
55		Motor Band	70-19927-01	70-19927-01	70-19927-01	70-19927-01	70-19927-01	70-19927-03	
56		Motor Arm Assembly (3)	70-19929-02	70-19929-02	70-19929-02	70-19929-02	70-19929-02	70-19929-09	
57		Blower Relay	See Electrical Group						
	Stk	Capacitor - Blower Motor	43-100496-04	43-100496-12	43-100496-12	43-100496-12	43-100496-45	N/A	

No.	Notes	MODEL TECHNICAL VARIATION COOLING CAPACITY ELECTRICAL DESIGNATION	RRNA	RRNA	RRNA	RRNA			
			B 036 C	B 042 C	B 048 C	B 060 C			
BLOWER GROUP									
	Stk	Blower Assembly (Includes items 51-56)	AS-58662-05	AS-58662-05	AS-58662-06	AS-58662-14			
51		Housing	AS-58619-02	AS-58619-02	AS-58619-02	AS-58619-02			
52	Stk	Blower Wheel	70-18625-03	70-18625-03	70-18625-03	70-18625-03			
53		Cut-Off	AE-64401-06	AE-64401-06	AE-64401-06	AE-64401-06			
54	Stk	Motor	51-23609-04	51-23609-04	51-23650-01	51-24376-15			
		Motor Mounting Bracket Assembly (includes 55, 56)	AS-53148-04	AS-53148-04	AS-53148-04	N/A			
55		Motor Band	70-19927-01	70-19927-01	70-19927-01	70-19927-03			
56		Motor Arm Assembly (3)	70-19929-02	70-19929-02	70-19929-02	70-19929-09			
57		Blower Relay	See Electrical Group						
	Stk	Capacitor - Blower Motor	43-100496-12	43-100496-12	43-100496-45	N/A			

No.	Notes	MODEL TECHNICAL VARIATION COOLING CAPACITY ELECTRICAL DESIGNATION	RRNA	RRNA	RRNA				
			B 036 D	B 048 D	B 060 D				
BLOWER GROUP									
	Stk	Blower Assembly (Includes items 51-56)	AS-58662-19	AS-58662-18	AS-58662-18				
51		Housing	AS-58619-02	AS-58619-02	AS-58619-02				
52	Stk	Blower Wheel	70-18625-03	70-18625-03	70-18625-03				
53		Cut-Off	AE-64401-06	AE-64401-06	AE-64401-06				
54	Stk	Motor	51-102021-01	51-102021-02	51-102021-02				
		Motor Mounting Bracket Assembly (includes 55, 56)	AS-53148-04	AS-53148-04	AS-53148-04				
55		Motor Band	70-19927-01	70-19927-01	70-19927-01				
56		Motor Arm Assembly (3)	70-19929-02	70-19929-02	70-19929-02				
57		Blower Relay	See Electrical Group						
	Stk	Capacitor - Blower Motor	43-100496-12	43-100496-12	43-100496-12				

No.	Notes	MODEL TECHNICAL VARIATION COOLING CAPACITY ELECTRICAL DESIGNATION	RRNA	RRNA	RRNA	RRNA	RRNA	RRNA
			B 024 J	B 030 J	B 036 J	B 042 J	B 048 J	B 060 J
COIL GROUP								
CONDENSER COIL:								
61	Stk	Condenser Coil	AS-101997-03	AS-101997-03	AS-101993-03	AS-101994-03	AS-101996-01	AS-101996-01
		Distributor Assembly	AS-101689-02	AS-101689-02	AS-101689-02	N/A	AS-101689-01	AS-101689-01
		Distributor - (Two way - 3/8 in. to 3/8 in.)	83-17467-02	83-17467-02	83-17467-02	N/A	83-17467-02	83-17467-02
		Access Valve Body (2)	61-18542-01	61-18542-01	61-18542-01	61-18542-01	61-18542-01	61-18542-01
		Access Valve Core (2)	61-18551-01	61-18551-01	61-18551-01	61-18551-01	61-18551-01	61-18551-01
EVAPORATOR COIL:								
62	Stk	Evaporator Coil w/Drain Pan	AS-102660-04	AS-102660-04	AS-102660-03	AS-102660-02	AS-102660-01	AS-102660-01
63		Drain Pan Grommet	56-23601-01	56-23601-01	56-23601-01	56-23601-01	56-23601-01	56-23601-01
64	Stk	Drain Pan - Before F4507	AS-58607-32	AS-58607-32	AS-58607-32	AS-58607-32	AS-58607-32	AS-58607-32
64	Stk	Drain Pan - After F4507	68-23602-02	68-23602-02	68-23602-02	68-23602-02	68-23602-02	68-23602-02
64a		Drain Trap (Attached to Drain Pan)	68-23603-01	68-23603-01	68-23603-01	68-23603-01	68-23603-01	68-23603-01
65		Auxiliary Drain Pipe	AE-58611-01	AE-58611-01	AE-58611-01	AE-58611-01	AE-58611-01	AE-58611-01
66	Stk	Flowcheck Distributor/Piston Assembly	61-102106-12	61-102106-12	61-102106-14	61-102108-14	61-102108-17	61-102108-17
67	Stk	TXV	61-21922-113	61-21922-112	61-21922-111	61-21922-75	61-21922-75	61-21922-102
68		Condensate Shield	AE-101751-01	AE-101751-01	AE-101751-01	AE-101751-02	AE-101751-02	AE-101751-02
68a		Condensate Barrier	AE-100544-01	AE-100544-01	AE-100544-01	AE-100544-02	AE-100544-02	AE-100544-02

No.	Notes	MODEL TECHNICAL VARIATION COOLING CAPACITY ELECTRICAL DESIGNATION	RRNA	RRNA	RRNA	RRNA		
			B 036 C	B 042 C	B 048 C	B 060 C		
COIL GROUP								
CONDENSER COIL:								
61	Stk	Condenser Coil	AS-101993-03	AS-101994-03	AS-101996-01	AS-101996-01		
		Distributor Assembly	AS-101689-02	N/A	AS-101689-01	AS-101689-01		
		Distributor - (Two way - 3/8 in. to 3/8 in.)	83-17467-02	83-17467-02	83-17467-02	83-17467-02		
		Access Valve Body (2)	61-18542-01	61-18542-01	61-18542-01	61-18542-01		
		Access Valve Core (2)	61-18551-01	61-18551-01	61-18551-01	61-18551-01		
EVAPORATOR COIL:								
62	Stk	Evaporator Coil w/Drain Pan	AS-102660-03	AS-102660-02	AS-102660-01	AS-102660-01		
63		Drain Pan Grommet	56-23601-01	56-23601-01	56-23601-01	56-23601-01		
64	Stk	Drain Pan - Before F4507	AS-58607-32	AS-58607-32	AS-58607-32	AS-58607-32		
64	Stk	Drain Pan - After F4507	68-23602-02	68-23602-02	68-23602-02	68-23602-02		
64a		Drain Trap (Attached to Drain Pan)	68-23603-01	68-23603-01	68-23603-01	68-23603-01		
65		Auxiliary Drain Pipe	AE-58611-01	AE-58611-01	AE-58611-01	AE-58611-01		
66	Stk	Flowcheck Distributor/Piston Assembly	61-102106-14	61-102108-14	61-102108-17	61-102108-17		
67	Stk	TXV	61-21922-111	61-21922-75	61-21922-75	61-21922-102		
68		Condensate Shield	AE-101751-01	AE-101751-02	AE-101751-02	AE-101751-02		
68a		Condensate Barrier	AE-100544-01	AE-100544-02	AE-100544-02	AE-100544-02		

No.	Notes	MODEL TECHNICAL VARIATION COOLING CAPACITY ELECTRICAL DESIGNATION	RRNA	RRNA	RRNA			
			B 036 D	B 048 D	B 060 D			
COIL GROUP								
CONDENSER COIL:								
61	Stk	Condenser Coil	AS-101993-03	AS-101996-01	AS-101996-01			
		Distributor Assembly	AS-101689-02	AS-101689-01	AS-101689-01			
		Distributor - (Two way - 3/8 in. to 3/8 in.)	83-17467-02	83-17467-02	83-17467-02			
		Access Valve Body (2)	61-18542-01	61-18542-01	61-18542-01			
		Access Valve Core (2)	61-18551-01	61-18551-01	61-18551-01			
EVAPORATOR COIL:								
62	Stk	Evaporator Coil w/Drain Pan	AS-102660-03	AS-102660-01	AS-102660-01			
63		Drain Pan Grommet	56-23601-01	56-23601-01	56-23601-01			
64	Stk	Drain Pan - Before F4507	AS-58607-32	AS-58607-32	AS-58607-32			
64	Stk	Drain Pan - After F4507	68-23602-02	68-23602-02	68-23602-02			
64a		Drain Trap (Attached to Drain Pan)	68-23603-01	68-23603-01	68-23603-01			
65		Auxiliary Drain Pipe	AE-58611-01	AE-58611-01	AE-58611-01			
66	Stk	Flowcheck Distributor/Piston Assembly	61-102106-14	61-102108-17	61-102108-17			
67	Stk	TXV	61-21922-111	61-21922-75	61-21922-102			
68		Condensate Shield	AE-101751-01	AE-101751-02	AE-101751-02			
68a		Condensate Barrier	AE-100544-01	AE-100544-02	AE-100544-02			

No.	Notes	MODEL TECHNICAL VARIATION COOLING CAPACITY ELECTRICAL DESIGNATION	RRNA B 024 J	RRNA B 030 J	RRNA B 036 J	RRNA B 042 J	RRNA B 048 J	RRNA B 060 J
COMPRESSOR GROUP								
		Compressor ID:	7284	7285	7287	7100	7102	7104
71	Stk	Compressor	55-100835-07S	55-100835-08S	55-100835-25S	55-100835-15S	55-100835-11S	55-100835-06S
72		Grommet (4)	56-18518-04	56-18518-04	56-18518-04	56-18518-06	56-18518-06	56-18518-06
	Stk	Compressor Wiring Harness (Molded Plug)	45-100834-80	45-100834-80	45-100834-80	45-100834-80	45-100834-80	45-100834-80
73	Stk	Capacitor - Compressor/Fan	43-26271-44	43-26271-41	43-26261-16	43-26261-37	43-26271-45	43-26271-30

No.	Notes	MODEL TECHNICAL VARIATION COOLING CAPACITY ELECTRICAL DESIGNATION	RRNA B 036 C	RRNA B 042 C	RRNA B 048 C	RRNA B 060 C		
COMPRESSOR GROUP								
		Compressor ID:	7286	7099	7101	7103		
71	Stk	Compressor	55-100835-34S	55-100835-21S	55-100835-29S	55-100835-19S		
72		Grommet (4)	56-18518-04	56-18518-06	56-18518-06	56-18518-06		
	Stk	Compressor Wiring Harness (Molded Plug)	45-100834-80	45-100834-80	45-100834-80	45-100834-80		

No.	Notes	MODEL TECHNICAL VARIATION COOLING CAPACITY ELECTRICAL DESIGNATION	RRNA B 036 D	RRNA B 048 D	RRNA B 060 D			
COMPRESSOR GROUP								
		Compressor ID:	7378	7377	7376			
71	Stk	Compressor	55-100835-35S	55-100835-33S	55-100835-46S			
72		Grommet (4)	56-18518-06	56-18518-06	56-18518-06			
	Stk	Compressor Wiring Harness (Molded Plug)	45-100834-80	45-100834-80	45-100834-80			

No.	Notes	MODEL TECHNICAL VARIATION HEATING CAPACITY	RRNA B 04	RRNA B 06	RRNA B 08	RRNA B 10
HEAT EXCHANGER, BURNER / MANIFOLD						
81	Stk	Heat Exchanger (Includes Center Panel and Turbulators)	AS-58632-01	AS-58632-06	AS-58632-07	AS-58632-04
82		Turbulators	AE-58591-02 (2)	AE-58591-02 (3)	AE-58591-02 (4)	AE-58591-02 (5)
		Collector Box Gasket	68-23644-01	68-23644-01	68-23644-01	68-23644-01
83		Collector Box	AE-58588-01	AE-58588-01	AE-58588-01	AE-58588-01
84	Stk	Limit Control - Blower Shelf	47-23610-11 (All)	47-23610-05 (024)	47-23610-03 (All)	47-23610-03 (060)
84	Stk	Limit Control - Blower Shelf		47-23610-03 (030-048)		47-23610-01 (030-048)
		Rubber Water Protect Boot - Limit Switch	56-42753-11 (024/030)	56-42753-05 (024)	56-42753-03 (024-042)	56-42753-01 (030-048)
		Rubber Water Protect Boot - Limit Switch	56-42753-11 (036/042)	56-42753-03 (030-042)	56-42753-03 (048)	56-42753-03 (060)
85		NOX Insert Assembly	75-23684-01 (2)	75-23684-01 (3)	75-23684-01 (4)	75-23684-01 (5)
86		Lower Burner Shield (NOX)	AE-59148-01	AE-59148-01	AE-59148-01	AE-59148-01
87		Radiation Shield	AE-58595-01	AE-58595-01	AE-58595-01	AE-58595-01
88	Stk	Limit - Manual Reset (Burner Compartment)	47-100241-01	47-100241-01	47-100241-01	47-100241-01
89	Stk	Burner Tube w/Shield	75-22840-02 (2)	75-22840-02 (3)	75-22840-02 (4)	75-22840-02 (5)
	Stk,2	One-piece Burner Retrofit Kit - See Note 2	AS-60993-82	AS-60993-83	AS-60993-84	AS-60993-85
90		Burner Support Bracket (2)	AE-61588-01	AE-61588-01	AE-61588-01	AE-61588-01
91		Burner Support - (Holds Burners between Burner Support Brackets)	AE-58592-02	AE-58592-02	AE-58592-02	AE-58592-02
92	Stk	Manifold Assembly	81-101154-01	81-101154-01	81-101154-01	81-101154-01
		Square Head Plug (Used on Manifold to plug extra holes)	81-23593-01 (1)	81-23593-01 (2)	81-23593-01 (1)	N/A
94		Burner Orifice - Natural Gas	See Orifice Selection Chart			
94		Burner Orifice - LP	See Orifice Selection Chart			
		Number of Orifices	(2)	(3)	(4)	(5)
95	Stk	Flame Sensor	62-23543-02	62-23543-02	62-23543-02	62-23543-02
96	Stk	Ignition Electrode/Cable Assembly	62-23556-01	62-23556-01	62-23556-01	62-23556-01

No.	Notes	MODEL TECHNICAL VARIATION GAS CODE	RRNA B 1R	RRNA B 1S	RRNA B 1X	RRNA B 2A	RRNA B 2G
GAS CONTROLS							
39	Stk	Integrated Furnace Control Board (IFC)	62-23599-02	62-23599-02	62-23599-02	62-23599-02	62-23599-04
	Stk	Gas Valve - Natural Gas	60-22447-07	60-23490-03	60-23490-01	60-24290-01	60-100394-02
	Stk,1	Gas Valve - LP	See Note 1	See Note 1	See Note 1	See Note 1	See Note 1
	Stk	LP Conversion Kit	EP-85H	EP-84W	EP-84W	EP-84W	EP-85H

No.	Notes	MODEL SIZE	RRNA ALL				
OPTIONS AND ACCESSORIES							
		Economizer - Downflow, 3 Position	RXRE-CAA30				
		Economizer - Downflow, Fully Modulating	RXRD-CAM10				
		Fresh Air Damper - Fixed, 35%	RXRF-FAA1				
		Fresh Air Damper - Motorized, 35%	RXRF-FAB1				
		Filter Kit	RXRY-B01				
		Low Ambient Control	RXRZ-A18				
		High Pressure Control	RXAB-A02				
		Low Pressure Control	RXAC-A02				
		Canadian High Altitude Kit - Natural Gas Only	RXRX-AH01				

PACKAGE EQUIPMENT - ORIFICE SELECTION CHART - NATURAL GAS

CAUTION: Selection of the correct Natural Gas Orifice requires the following information for the specific installation:

- 1) Furnace Input Rating (BTU/HR)
- 2) Number of Burners
- 2) Altitude (ft.)

For detailed information and instructions for Orifice selection, see the Gas Furnace LP Conversion Kit Index 92-21519-47 and the latest edition of the National Fuel Gas Code Handbook, or the National Standard of Canada, Natural Gas and Propane Installation Code, CAN B149.1.

CAUTION: This information is provided for replacement purposes only. Conversion for operation at High Altitude must be done using the kit specified on the product specification sheet for the unit.

NOTE: This Orifice sizing chart is based on a Natural Gas heating value of 1075 BTU/cu. ft and a pressure setting of 3.5 in. water column.

NOTE: Factory installed orifices are calculated and sized based on a Natural Gas heating value of 1075 BTU/cu. ft. and an elevation of 0 - 2000 ft.

Furnace Input Rating (BTU/HR)	Canadian High Altitude Derated Input (BTU/HR)	Number of Burners	Elevation (ft.)					
			Country					
			0 - 2000 U.S.	2001 - 4000 U.S.	4001 - 6000 U.S.	8000+ U.S.	0 - 2000 Canada	2001 - 4500 Canada
40,000	36,000	2	62-22175-45	62-22175-47	62-22175-48	62-22175-49	62-22175-45	62-22175-15
60,000	54,000	3	62-22175-45	62-22175-47	62-22175-48	62-22175-49	62-22175-45	62-22175-15
72,000	N/A	4	62-22175-15	62-22175-49	62-22175-50	62-22175-51	62-22175-15	N/A
80,000	72,000	4	62-22175-45	62-22175-47	62-22175-48	62-22175-49	62-22175-45	62-22175-15
90,000	N/A	5	62-22175-15	62-22175-49	62-22175-50	62-22175-51	62-22175-15	N/A
100,000	90,000	5	62-22175-45	62-22175-47	62-22175-48	62-22175-49	62-22175-45	62-22175-15
120,000	108,000	6	62-22175-45	62-22175-47	62-22175-48	62-22175-49	62-22175-45	62-22175-15
135,000	121,500	6	62-22175-44	62-22175-45	62-22175-47	62-22175-48	62-22175-44	62-22175-45
150,000	135,000	6	62-22175-42	62-22175-43	62-22175-44	62-22175-45	62-22175-42	62-22175-44
180,000	N/A	9	62-22175-45	62-22175-47	62-22175-48	62-22175-49	62-22175-45	N/A
210,000	N/A	9	62-22175-43	62-22175-44	62-22175-45	62-22175-47	62-22175-43	N/A
210,000	N/A	10	62-22175-45	62-22175-47	62-22175-48	62-22175-49	62-22175-45	N/A
225,000	202,500	9	62-22175-42	62-22175-43	62-22175-44	62-22175-45	62-22175-42	62-22175-44
250,000	225,000	10	62-22175-42	62-22175-43	62-22175-44	62-22175-45	62-22175-42	62-22175-44
252,000	225,000	9	62-22175-40	62-22175-42	62-22175-43	62-22175-44	62-22175-40	62-22175-42
252,000	N/A	12	62-22175-45	62-22175-47	62-22175-48	62-22175-49	62-22175-45	N/A
290,000	N/A	14	62-22175-45	62-22175-47	62-22175-48	62-22175-49	62-22175-45	N/A
300,000	270,000	12	62-22175-42	62-22175-43	62-22175-44	62-22175-45	62-22175-42	62-22175-44
330,000	N/A	14	62-22175-43	62-22175-44	62-22175-45	62-22175-47	62-22175-43	N/A
350,000	315,000	14	62-22175-42	62-22175-43	62-22175-44	62-22175-45	62-22175-42	62-22175-44
400,000	360,000	14	62-22175-40	62-22175-42	62-22175-43	62-22175-44	62-22175-40	62-22175-42

PACKAGE EQUIPMENT - ORIFICE SELECTION CHART - LP

CAUTION: Selection of the correct LP Orifice requires the following information for the specific installation:

- 1) Furnace Input Rating (BTU/HR)
- 2) Number of Burners
- 2) Altitude (ft.)

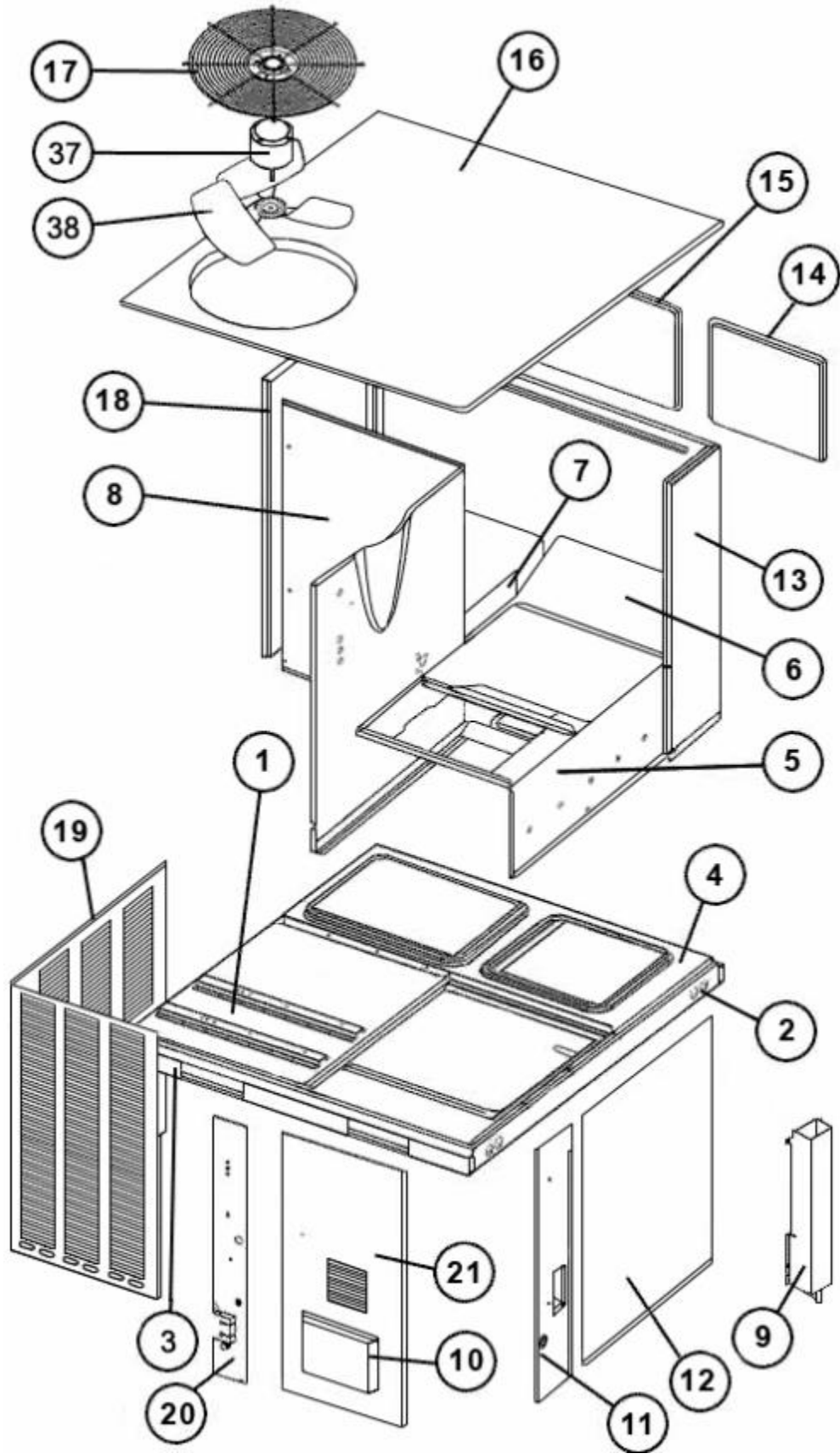
For detailed information and instructions for Orifice selection, see the Gas Furnace LP Conversion Kit Index 92-21519-47 and the latest edition of the National Fuel Gas Code Handbook, or the National Standard of Canada, Natural Gas and Propane Installation Code, CAN B149.1.

CAUTION: This information is provided for replacement purposes only. Conversion to LP or for operation at High Altitude should be done using the kit(s) specified on the product specification sheet for the unit.

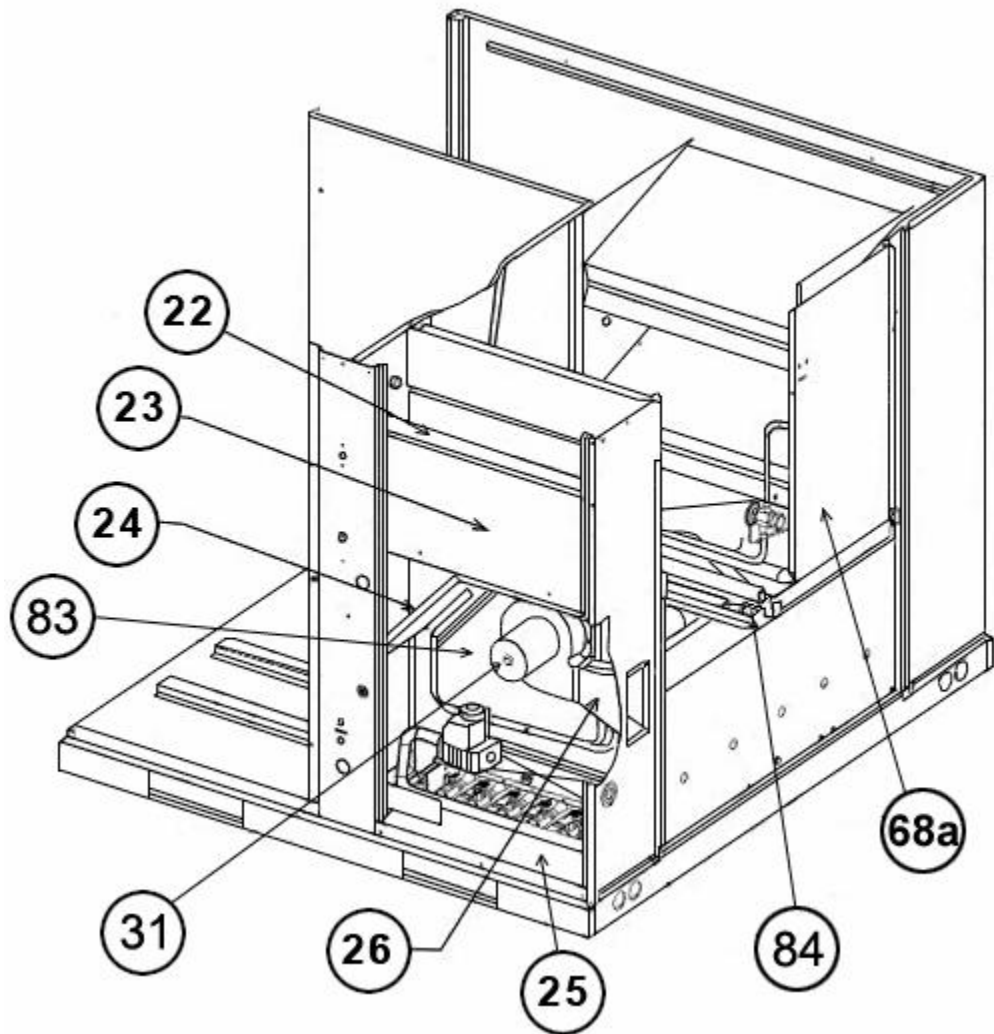
NOTE: This Orifice sizing chart is developed using the specified pressure setting of 10 in. water column instead of the 11.0 in water column used by the NFG and CANB149.1.

NOTE: Orifices supplied in the LP Conversion Kit are calculated and sized based on a heating value of 2500 BTU/cu. ft. and an elevation of 0 - 2000 ft.

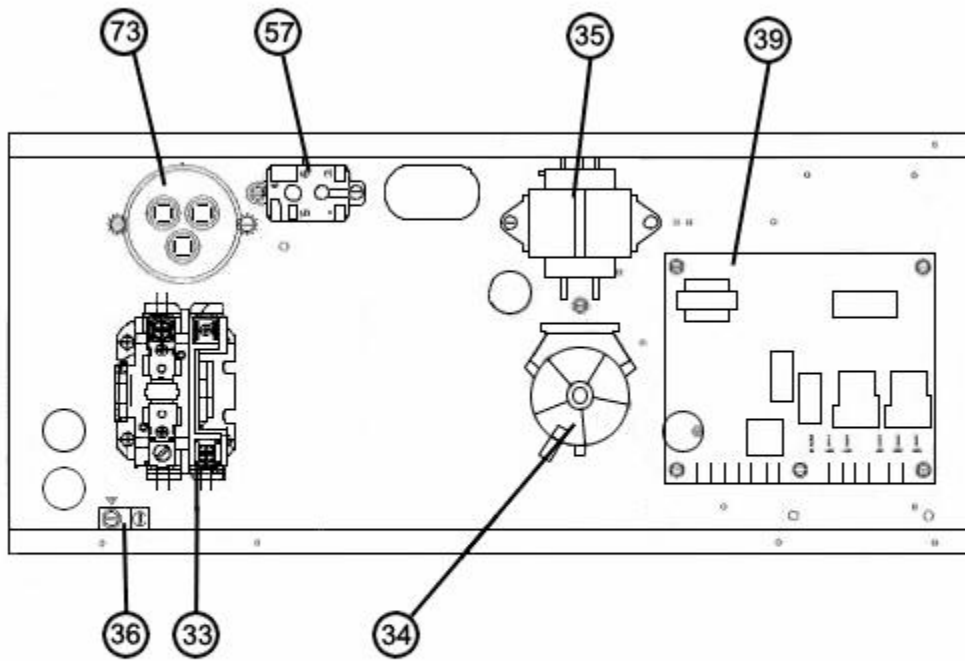
Furnace Input Rating (BTU/HR)	Canadian High Altitude Derated Input (BTU/HR)	Number of Burners	Elevation (ft.)					
			Country					
			0 - 2000 U.S.	2001 - 4000 U.S.	4001 - 6000 U.S.	8000+ U.S.	0 - 2000 Canada	2001 - 4500 Canada
40,000	36,000	2	62-22175-55	62-22175-55	62-22175-56	62-22175-56	62-22175-55	62-22175-13
60,000	54,000	3	62-22175-55	62-22175-55	62-22175-56	62-22175-56	62-22175-55	62-22175-13
72,000	N/A	4	62-22175-13	62-22175-57	62-22175-57	62-22175-59	62-22175-13	N/A
80,000	72,000	4	62-22175-55	62-22175-55	62-22175-56	62-22175-56	62-22175-55	62-22175-13
90,000	N/A	5	62-22175-13	62-22175-57	62-22175-57	62-22175-59	62-22175-13	N/A
100,000	90,000	5	62-22175-55	62-22175-55	62-22175-56	62-22175-56	62-22175-55	62-22175-13
120,000	108,000	6	62-22175-55	62-22175-55	62-22175-56	62-22175-56	62-22175-55	62-22175-13
135,000	121,500	6	62-22175-54	62-22175-55	62-22175-55	62-22175-56	62-22175-54	62-22175-55
150,000	135,000	6	62-22175-54	62-22175-55	62-22175-55	62-22175-56	62-22175-54	62-22175-54
180,000	N/A	9	62-22175-55	62-22175-55	62-22175-56	62-22175-56	62-22175-55	N/A
210,000	N/A	9	62-22175-54	62-22175-55	62-22175-55	62-22175-56	62-22175-54	N/A
210,000	N/A	10	62-22175-55	62-22175-55	62-22175-56	62-22175-56	62-22175-55	N/A
225,000	202,500	9	62-22175-54	62-22175-55	62-22175-55	62-22175-56	62-22175-54	62-22175-54
250,000	225,000	10	62-22175-54	62-22175-55	62-22175-55	62-22175-56	62-22175-54	62-22175-54
252,000	225,000	9	62-22175-53	62-22175-54	62-22175-54	62-22175-55	62-22175-53	62-22175-54
252,000	N/A	12	62-22175-55	62-22175-55	62-22175-56	62-22175-56	62-22175-55	N/A
290,000	N/A	14	62-22175-55	62-22175-55	62-22175-56	62-22175-56	62-22175-55	N/A
300,000	270,000	12	62-22175-54	62-22175-55	62-22175-55	62-22175-56	62-22175-54	62-22175-54
330,000	N/A	14	62-22175-54	62-22175-55	62-22175-55	62-22175-56	62-22175-54	N/A
350,000	315,000	14	62-22175-54	62-22175-55	62-22175-55	62-22175-56	62-22175-54	62-22175-54
400,000	360,000	14	62-22175-53	62-22175-54	62-22175-54	62-22175-55	62-22175-53	62-22175-54



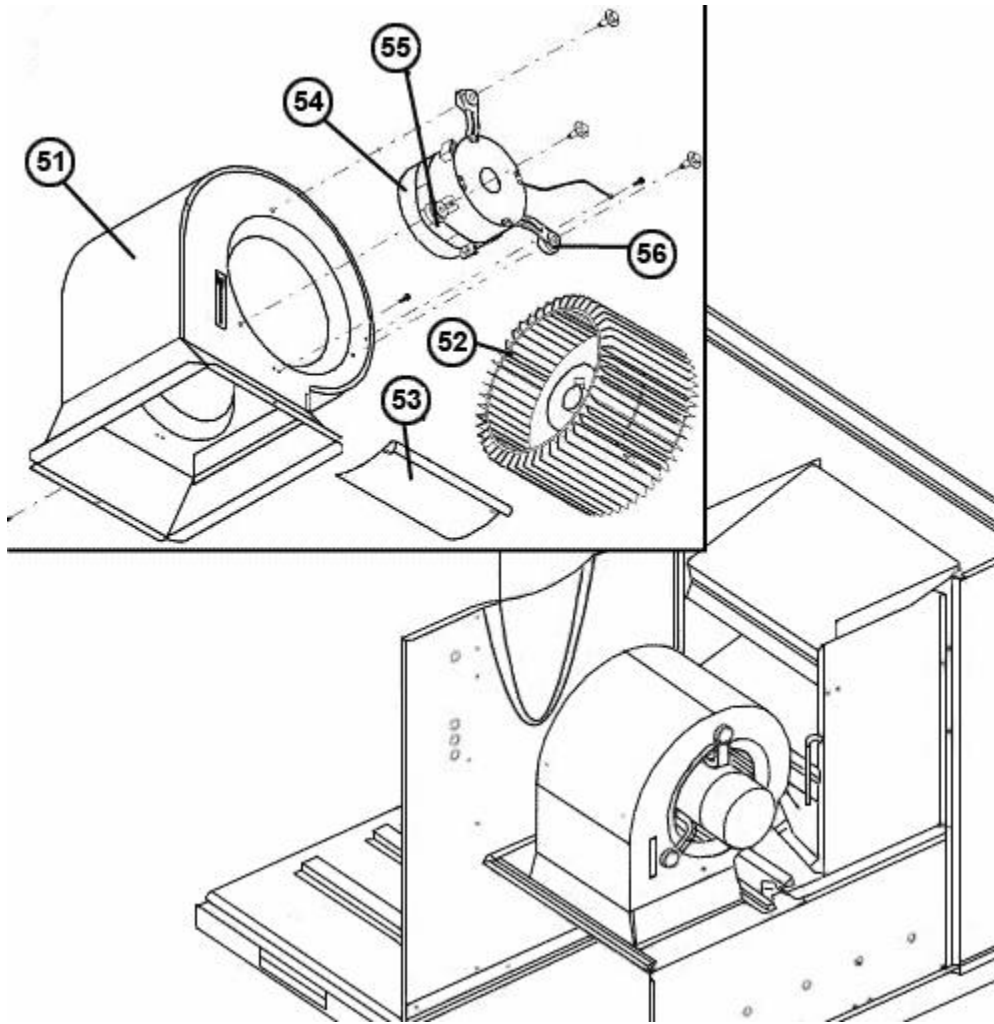
Exploded View



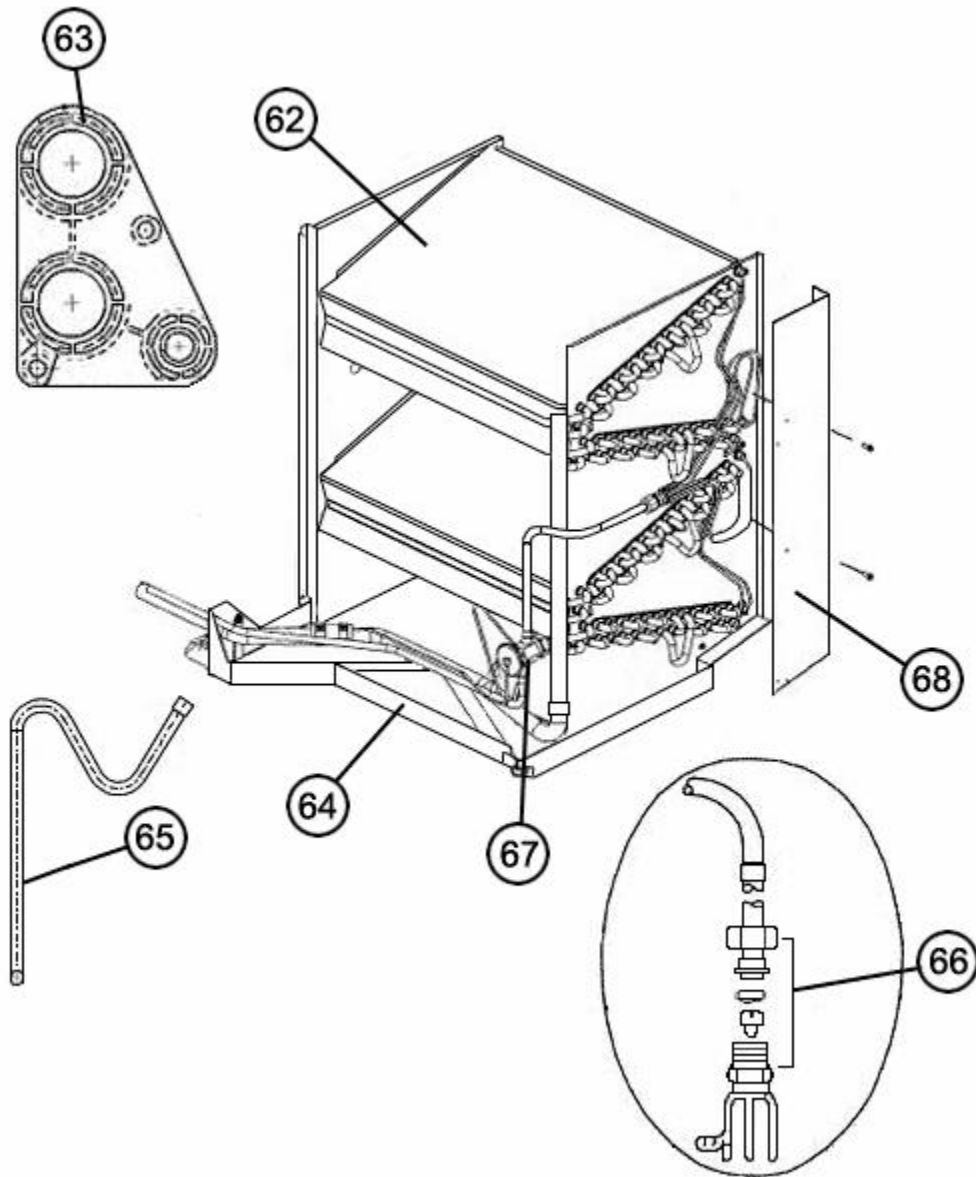
Control Access Panel Detail



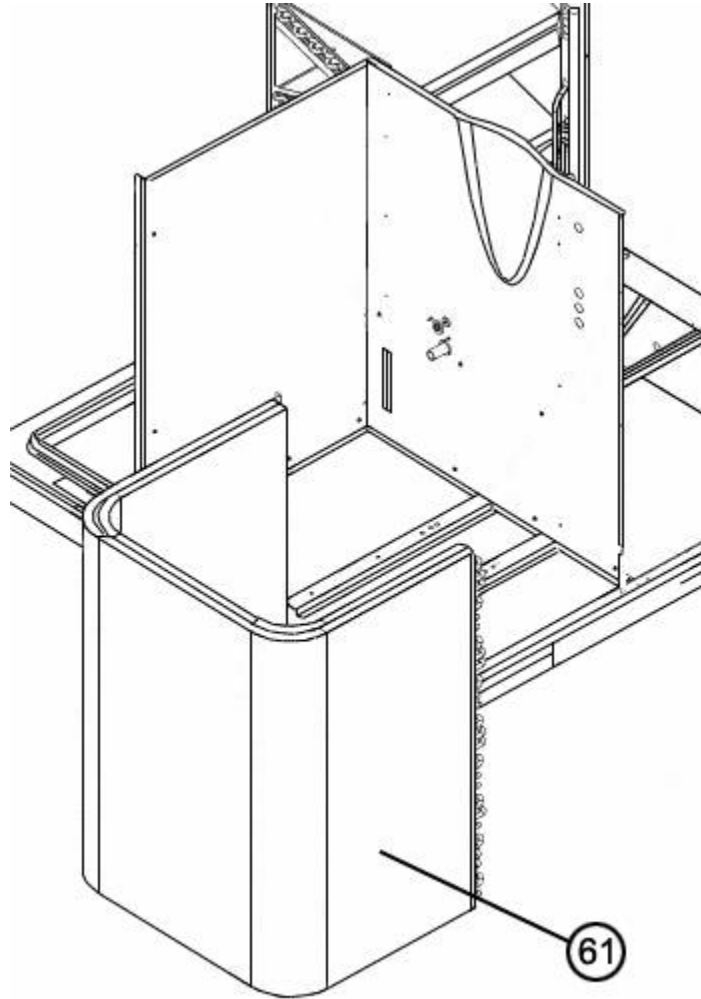
Electrical Control Box



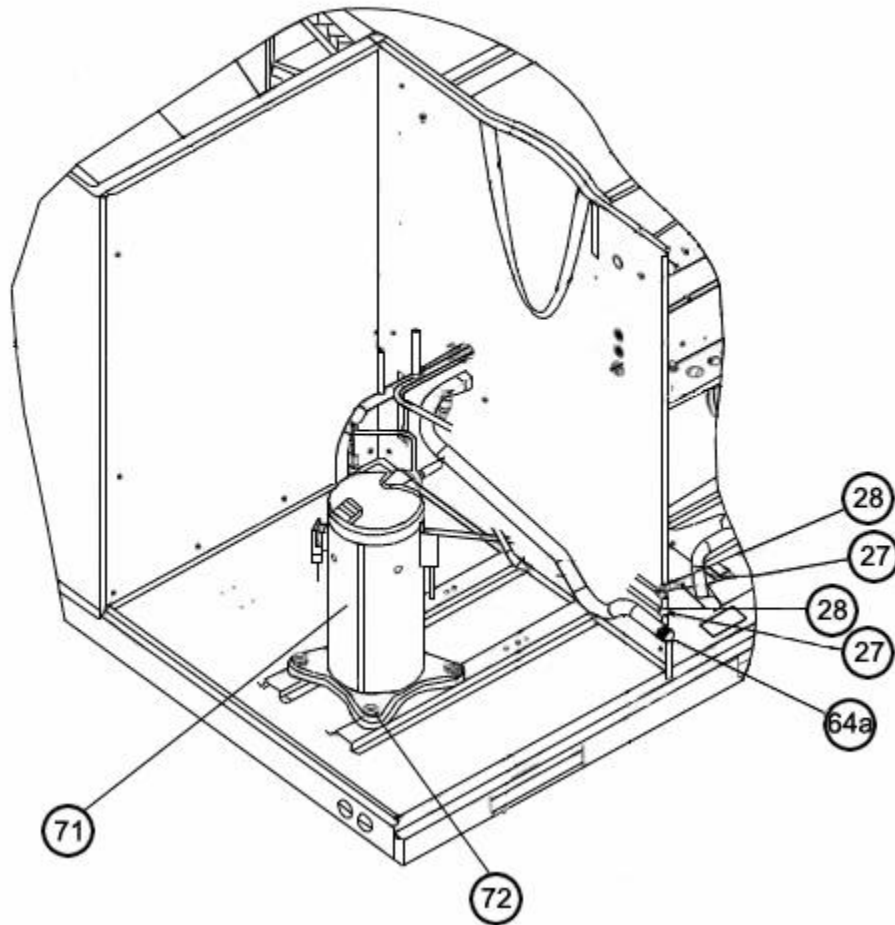
Blower Assembly



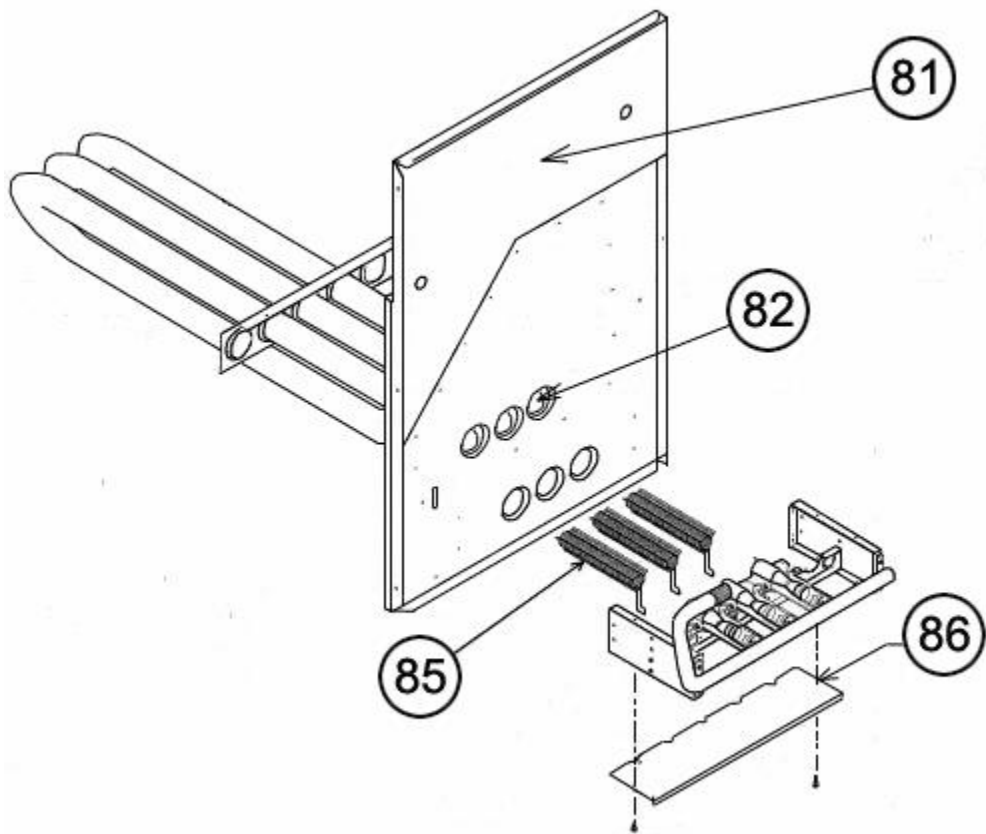
Evaporator Coil Assembly



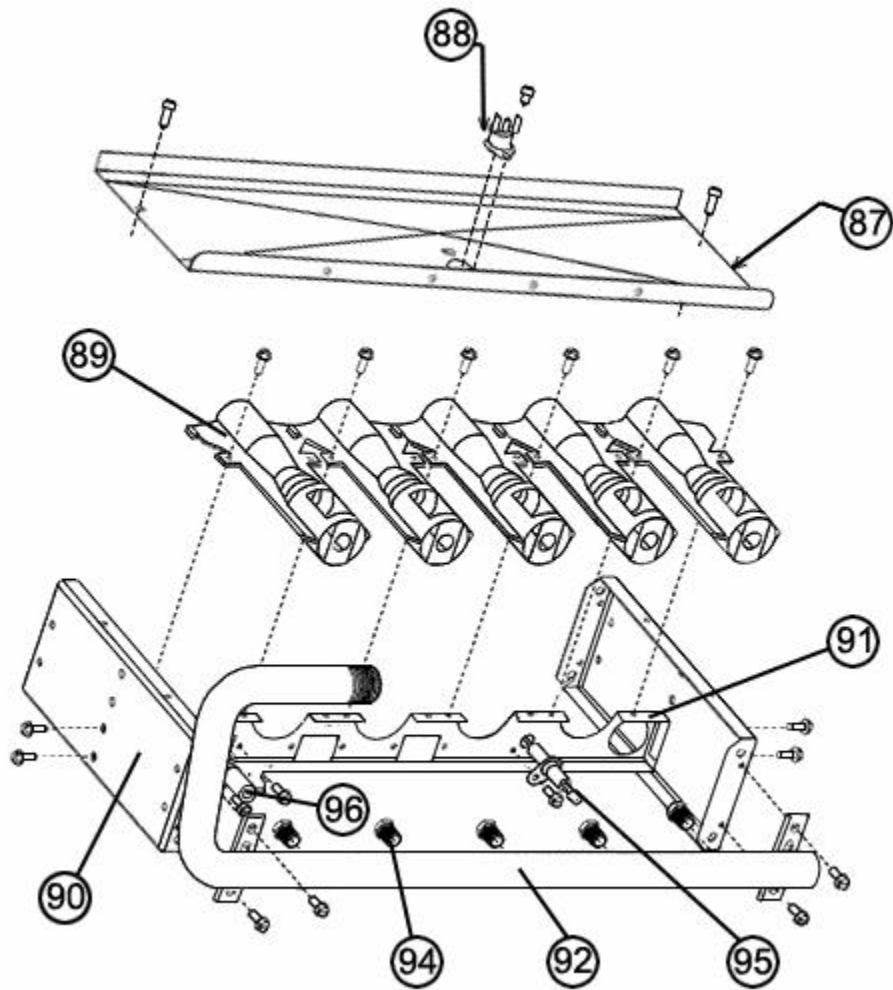
Condenser Coil



Compressor and Refrigeration Components



Heat Exchanger Assembly



Burner Assembly

NOTES

Stk It is recommended that stock be maintained for this part.

N/A Not Applicable

- 1 Order Gas Valve for Natural Gas along with LP Conversion Kit.
- 2 This kit includes all necessary items to retrofit units using individual burner tubes with the later one-piece burner design.

DISCLAIMER: This document is intended to provide general replacement parts information to aid qualified service personnel in the repair of these models. The complete Model and Serial Number of the unit under repair should be specified when selecting and ordering replacement parts. Specifications and illustrations are subject to change without notice. Document 92-42800-RRNA-B supersedes all previous parts lists for these models. See <http://www.rheempartslists.net/92-42800-RRNA-B> for the latest revision of this document. The manufacturer assumes no obligation for errors or omissions. Service personnel must verify the proper and safe operation of equipment after the replacement of any original components.