



The new degree of comfort.™

Air | Gas Furnaces  
**R802V UF/HZ**

PREMIUM COMFORT SO YOU CAN

# ENJOY

WHAT MATTERS MOST

The EcoNet™ Enabled Rheem *Prestige*™ Series Gas Furnace was designed with industry-exclusive features for years of worry-free comfort. It's also quiet, so you can stay focused on what matters most.

## R802V Upflow/Horizontal *Prestige* Series

80% AFUE\*



### Peace of Mind

In addition to many features to ensure years of reliability, our new gas furnace is backed by some of the best warranties in the industry.

### Reliability

We're serious about the quality and reliability of our products. That's why our gas furnace is engineered with the exclusive PlusOne™ Ignition System, one of the most dependable ignition systems on the market.

### Efficiency

A two-stage, variable-speed motor delivers the right amount of heat for a more comfortable home and a lower utility bill.

### EcoNet™

This innovative technology allows you to control your comfort from home or away.\*



INTEGRATED HOME COMFORT

Rheem.com

## We Thought of Everything... And Then Some.

The Rheem *Prestige*™ Series Gas Furnace was developed using our 360°+1 design philosophy, which means every detail of the product is meticulously evaluated from every angle. We consider the work that goes into installing and servicing our products, as well as how we can deliver the very best homeowner experience. And then we take it a step further. That's 360°+1. And that's why you can count on your Rheem gas furnace to bring you and your family years of comfort.



Rheem-Exclusive PlusOne™ Ignition System



Industry-First PlusOne™ Diagnostics

## We Did the Work So You Can Stay Comfortable

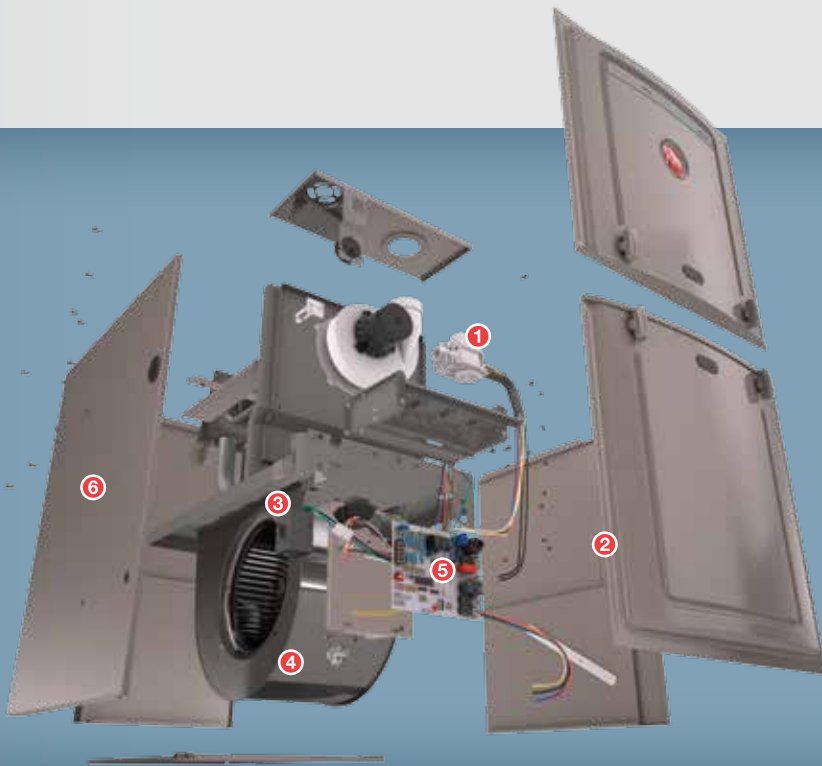
Our gas furnace line was already recognized as best in its class\*\*\*, but that didn't stop us from making it better. We designed our new *Prestige* Series Gas Furnace to provide your home with reliable, quiet comfort for years to come.

**Reliability** is essential to your home comfort. That's why we've engineered our gas furnace with the **1 PlusOne Ignition System**. Our **Direct Spark Ignition** is a Rheem-exclusive feature that's nine times more reliable than most hot surface igniters. It's also the same proven design used in commercial HVAC equipment and gas home appliances. Our patented heat exchanger is quick and easy to clean – when needed – by your local independent Rheem Contractor. And a clean furnace is a long-running furnace.

Quiet operation is the result of a **2 tighter door seal** that helps eliminate whistling. We've also added **3 rubber grommets** on the motor mounts and a **4 twist-lock wire harness in the blower shelf**. The result is an impressively quiet furnace.

Fast and accurate diagnostics are a big benefit to both you and your Contractor. The Rheem *Prestige* Series Gas Furnace features **5 PlusOne Diagnostics**, our industry-first 7-segment alphanumeric LED display that simplifies troubleshooting. Just in case there's a need, service calls are faster, which ultimately saves you money.





## Engineered for High-Performance

- **Two-Stage Operation** – Provides superior comfort by knowing when to switch into high gear, so there is no need for you to adjust the thermostat.
- **Variable-Speed Motor** – Uses less energy than a single-stage motor. It's engineered for better dehumidification, which provides you with better indoor air quality.

Enjoy greater comfort and performance thanks to a two-stage operation that offers a more consistent indoor environment – keeping cold spots to a minimum. The two-stage heating design primarily operates on low speed, only temporarily switching to high during peak cold-weather conditions. And a variable-speed fan motor moves at different speeds to efficiently control air flow for a more comfortable environment. The R802V also delivers 80% AFUE, which means 80% of the fuel in your furnace is converted to heat.

**Hassle-free installation** saves you and your Contractor time and trouble. The **6 34" cabinet** fits nicely in tight spaces allowing for both new construction and retrofit installations.



The R802V *Prestige* Series Gas Furnace is designed to operate with the EcoNet Smart Home System. EcoNet technology combines select Rheem Heating, Cooling and Water Heating solutions into one integrated network so you can effortlessly manage home comfort and energy usage from anywhere with the control center, free mobile app or mobile-friendly web portal.



# Why Rheem?

## Relationship, Dedication and Innovation

Rheem makes customers our first priority. Our approach as a company is to keep the dialogue ongoing and to listen. Then act. The innovations we've developed throughout the years in both the HVAC and water heating industries are a direct result of that process. And we have a long list of industry firsts to show for it, with more to come. Rheem is dedicated to providing the products your customers need and the opportunities you want to expand your offerings and increase profitability. That's the Rheem 360°+1 approach to partnership.



## How to Speak HVAC

### Single-Stage:

One level of operation, with no differentiation between peak or non-peak heating demands.

What's your stage?

### Two-Stage:

More than one level of operation, which saves energy during non-peak heating demands.

### Efficiency:

Description for how effectively incoming energy is converted to outgoing energy. The higher the number, the more efficient the unit – and the lower the operating costs.

Nice AFUE!

### AFUE:

Annual Fuel Utilization Efficiency. Used to express the efficiency of gas furnaces. The higher the AFUE rating, the more efficient the unit.

### Heat Exchanger:

Responsible for transferring heat from furnace burners to the blower. Rheem uses some of the finest heat exchangers in the industry, offering limited lifetime warranties on some models.

### Variable-Speed Motor:

Used in higher-efficiency indoor and outdoor units. Automatically adjusts the flow of warm or cool air in your home for ultimate comfort.

When it's time to upgrade or replace your system, Rheem makes it easy. Our full line of energy-efficient gas furnaces is built for your comfort – helping your family stay the perfect degree of comfortable while saving on energy and maintenance costs. **Visit Rheem.com today to learn more.**

**YOUR LOCAL RHEEM CONTRACTOR**

## Benefits At-A-Glance

### PlusOne™ Features:

PlusOne **Ignition System** – Direct Spark Ignition  
PlusOne **Diagnostics** – 7-segment LED display

### Motor:

Two-stage, variable-speed ECM – saves energy and maintains optimal comfort level

### Efficiency\*:

80% AFUE

### Reliability:

PlusOne **Ignition System** for nine times more reliability compared to most hot surface igniters

### Sound Level:

Tighter door seals, rubber grommets and a twist-lock wire harness in the blower shelf ensure quiet operation

### Limited Warranty†:

Parts – 10-year  
Heat exchanger – Limited Lifetime



Rheem Heating, Cooling & Water Heating

Founded in 1925, our mission is still simple: help your family enjoy a new degree of comfort with solutions that keep you cool in the summer, warm in the winter and enjoying hot water year-round. To learn more about our products, including our line of Integrated Home Comfort Solutions, visit us online at **Rheem.com**.



### Rheem USA

5600 Old Greenwood Road  
Fort Smith, Arkansas 72903

In keeping with its policy of continuous progress & product improvement, Rheem reserves the right to make changes without notice.

\*Annual Fuel Utilization Efficiency (AFUE) measures the amount of heat delivered to a home compared to the amount of fuel that is supplied to the unit. Higher AFUE ratings reflect higher efficiency.

\*\*Purchase and installation of EcoNet™ WiFi Kit and EcoNet Control Center required; WiFi broadband Internet connection required; must be paired with EcoNet Enabled heat pump or air conditioner.

\*\*\*80% Gas Furnace and AC Focus Group Analysis/February 10, 2011

†For complete details of the limited and conditional warranties, including applicable terms and conditions, contact your local Contractor or go to **Rheem.com** for a copy of the product warranty certificate. Conditional warranties must be registered through **registermyunit.com**.

