



EFFICIENT 13 SEER HEAT PUMP ENVIRONMENTALLY SOUND R-410A REFRIGERANT 1-1/2 THRU 5 TONS SPLIT SYSTEM

208 / 230 Volt, 1-phase, 60 Hz

REFRIGERATION CIRCUIT

- Copeland Scroll™ compressors on all models
- Suction line accumulator factory installed
- Bi-flow filter-drier included for field installation
- Integrated solid state control with Time-Temperature Defrost
- High and Low pressure switches
- Copper tube / aluminum fin coil

EASY TO INSTALL AND SERVICE

- Easy Access service valves on all models
- External high and low refrigerant service ports
- Only two screws to access control panel
- Factory charged with R-410A refrigerant

BUILT TO LAST

- Baked-on powder coat finish over galvanized steel
- Post-painted (black) coil fins
- Coated, weather-resistant cabinet screws
- Coated inlet grille with 2" (51mm) spacing standard, alternate models available with 3/8" (10mm) grille spacing for extra protection

WARRANTY*

- 5 year compressor limited warranty
- 5 year parts limited warranty (including compressor and coil)
 - With timely registration, an additional 5 year parts limited warranty (including compressor and coil)

* Applies to original purchaser/homeowner, some limitations may apply. See Warranty certificate for complete details.



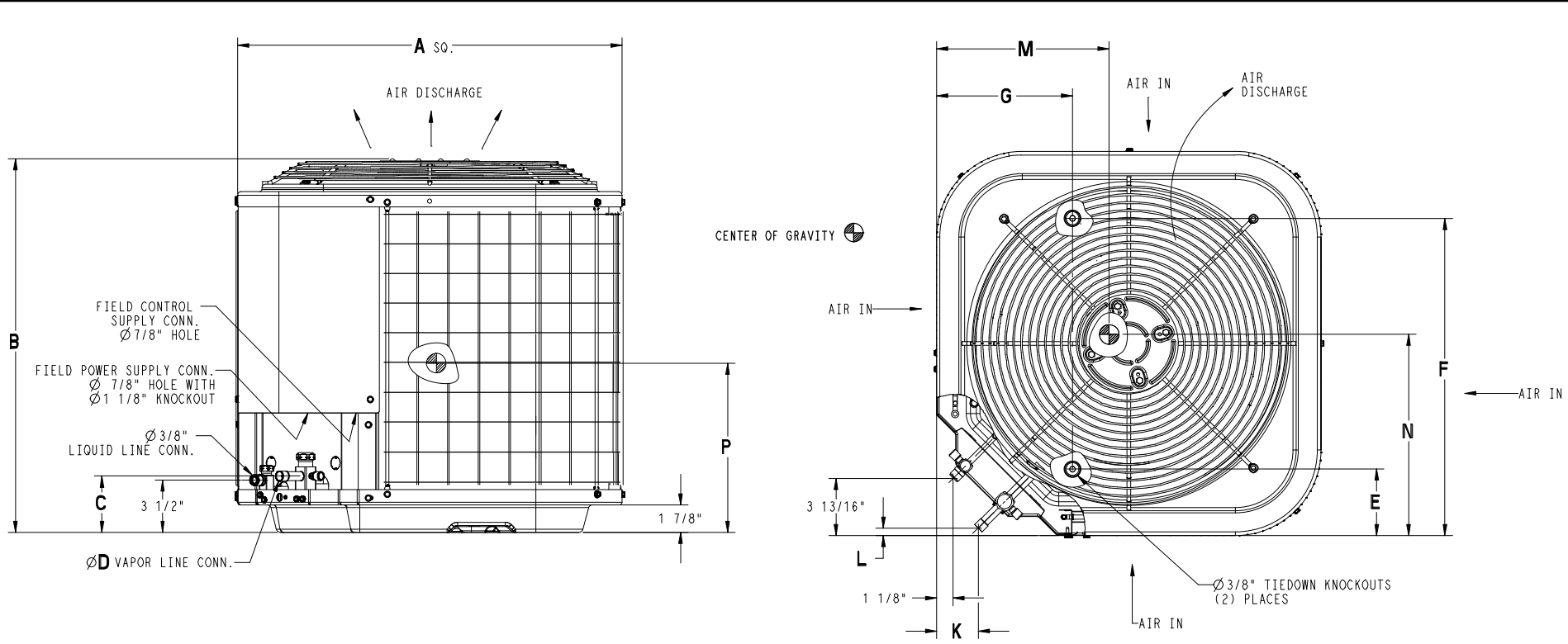
Use of the AHRI Certified TM Mark indicates a manufacturer's participation in the program. For verification of certification for individual products, go to www.ahridirectory.org.



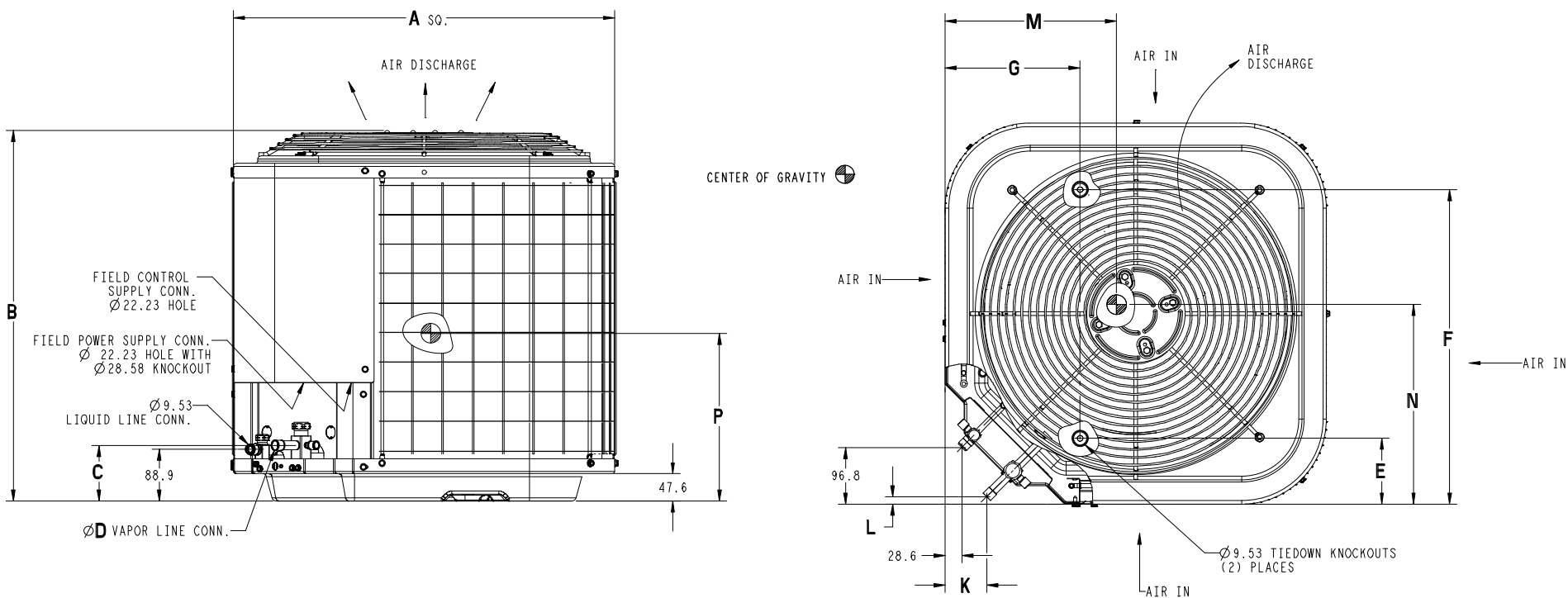
Model Number	Size (tons)	Nominal Btu/hr	Min. Circuit Ampacity	Max. Fuse or Breaker	Operating Dimensions height x width x depth (in)	Ship / Operating Weight (lbs)
N4H318AKE	1-1/2	18,000	11.8	20	28-15/16 x 25-3/4 x 25-3/4 (735 x 654 x 654)	153 / 127 (69 / 58)
18GKE	same model with 3/8" (10mm) spacing inlet grille					
N4H324AKE	2	24,000	16.8	25	32-5/16 x 25-3/4 x 25-3/4 (821 x 654 x 654)	158 / 133 (72 / 60)
24GKE	same model with 3/8" (10mm) spacing inlet grille					
N4H330AKE	2-1/2	30,000	21.1	30	28-15/16 x 31-3/16 x 31-3/16 (735 x 792 x 792)	180 / 146 (82 / 66)
30GKE	same model with 3/8" (10mm) spacing inlet grille					
N4H336AKE	3	36,000	22.0	35	32-5/16 x 31-3/16 x 31-3/16 (821 x 792 x 792)	178 / 152 (81 / 69)
36GKE	same model with 3/8" (10mm) spacing inlet grille					
N4H342AKE	3-1/2	42,000	25.7	40	28-15/16 x 31-3/16 x 31-3/16 (735 x 792 x 792)	229 / 193 (104 / 88)
42GKE	same model with 3/8" (10mm) spacing inlet grille					
N4H348AKE	4	48,000	28.7	50	35-3/4 x 31-3/16 x 31-3/16 (908 x 792 x 792)	251 / 216 (114 / 98)
48GKE	same model with 3/8" (10mm) spacing inlet grille					
N4H360AKB	5	60,000	34.1	50	28-15/16 x 35 x 35 (735 x 889 x 889)	282 / 250 (128 / 113)
60GKB	same model with 3/8" (10mm) spacing inlet grille					

OUTDOOR UNIT MODEL NUMBER IDENTIFICATION GUIDE (single phase)											
Digit Position:	1	2	3	4	5, 6	7	8	9	10	11	12
Example Part Number:	N	4	H	3	18	A	K	E	1	0	0
T = Tempstar Mainline											
N = Tempstar Entry BRANDING											
4 = R-410A REFRIGERANT											
A = Air Conditioner											
H = Heat Pump TYPE											
3 = 13 SEER											
4 = 14 SEER NOMINAL EFFICIENCY											
18 = 18,000 BTUH = 1-1/2 tons											
24 = 24,000 BTUH = 2 tons											
30 = 30,000 BTUH = 2-1/2 tons											
36 = 36,000 BTUH = 3 tons											
42 = 42,000 BTUH = 3-1/2 tons											
48 = 48,000 BTUH = 4 tons											
60 = 60,000 BTUH = 5 tons NOMINAL CAPACITY											
A = Standard Grille											
G = Coil Guard Grille											
C = Coastal FEATURES											
K = 208/230-1-60 VOLTAGE											
Sales Code											
Engineering Revision											
Extra Digit											
Extra Digit											

ACCESSORIES PART NUMBER IDENTIFICATION GUIDE									
Digit Position:	1	2	3	4	5	6, 7	8, 9	10, 11	
Example Part Number:	N	A	S	A	0	01	01	CH	
N = Non-Branded BRANDING									
A = Accessory PRODUCT GROUP									
S = Split System (AC & HP) KIT USAGE									
A = Original									
B = 2nd Generation MAJOR SERIES									
0 = Generic or Not Applicable									
2 = R-22									
4 = R-410A REFRIGERANT									
Product Identifier Number									
Package Quantity									
Type of Kit (Example: CH = Crankcase Heater)									



Model (* = A or G)	All Dimensions Inches (English)												Minimum Mounting Pad Size	Crated Dimensions h x w x d
	A	B	C	D	E	F	G	K	L	M	N	P		
N4H318*KE	25-3/4	28-15/16	3-3/4	5/8	4-7/16	21-1/4	9-1/8	2-13/16	1/2	13-3/4	14	12-1/2	26 x 26	32-9/16 x 30-1/16 x 26-7/8
N4H324*KE	25-3/4	32-5/16	3-3/4	5/8	4-7/16	21-1/4	9-1/8	2-13/16	1/2	13	12-3/4	13	26 x 26	35-15/16 x 30-1/16 x 26-7/8
N4H330*KE	31-3/16	28-15/16	3-3/4	3/4	6-9/16	24-11/16	9-1/8	2-13/16	1/2	15-1/2	14-3/4	12-1/2	31-1/2 x 31-1/2	32-9/16 x 35-1/2 x 32-3/8
N4H336*KE	31-3/16	32-5/16	3-3/4	3/4	6-9/16	24-11/16	9-1/8	2-15/16	5/8	15	15-1/2	14	31-1/2 x 31-1/2	35-15/16 x 35-1/2 x 32-3/8
N4H342*KE	31-3/16	28-15/16	3-7/8	7/8	6-9/16	24-11/16	9-1/8	2-15/16	5/8	15-1/2	15-3/4	12-1/2	31-1/2 x 31-1/2	32-9/16 x 35-1/2 x 32-3/8
N4H348*KE	31-3/16	35-3/4	3-7/8	7/8	6-9/16	24-11/16	9-1/8	2-15/16	5/8	15-3/4	16-1/4	15	31-1/2 x 31-1/2	39-3/8 x 35-1/2 x 32-3/8
N4H360*KB	35	28-15/16	3-7/8	7/8	6-9/16	28-7/16	9-1/8	2-15/16	5/8	17	16	12	35 x 35	32-9/16 x 39-5/16 x 36-1/8



Specifications subject to change without notice.

Model (* = A or G)	All Dimensions mm (SI Metric)												Minimum Mounting Pad Size	Crated Dimensions h x w x d
	A	B	C	D	E	F	G	K	L	M	N	P		
N4H318*KE	654	735	95	16	113	540	232	71	13	349	356	318	660 x 660	827 x 764 x 683
N4H324*KE	654	821	95	16	113	540	232	71	13	330	324	330	660 x 660	913 x 764 x 683
N4H330*KE	792	735	95	19	167	627	232	71	13	394	375	318	800 x 800	827 x 901 x 821
N4H336*KE	792	821	95	19	167	627	232	75	16	381	394	357	800 x 800	913 x 901 x 821
N4H342*KE	792	735	98	22	167	627	232	75	16	394	400	318	800 x 800	827 x 901 x 821
N4H348*KE	792	908	98	22	167	627	232	75	16	400	413	381	800 x 800	1000 x 901 x 821
N4H360*KB	889	735	98	22	167	627	232	75	16	432	406	305	889 x 889	827 x 999 x 918

PHYSICAL DATA							
Model Size	18	24	30	36	42	48	60
Nominal Cooling Capacity (BTU/hr)	18,000	24,000	30,000	36,000	42,000	48,000	60,000
Nominal SEER	13.0	13.0	13.0	13.0	13.0	13.0	13.0
Sound Rating (dBA)**	72	73	76	75	78	78	77
Piston Size – Outdoor Heating (shipped in liquid service valve)	40	46	55	57	65	65	76
Piston Size – Indoor Cooling (shipped loose with heat pump)	52	57	67	70	76	80	—
PSC Fan Motor HP	1/12	1/10	1/5	1/5	1/10	1/4	1/4
Fan RPM	1100	1100	1100	1100	1100	1100	800
Fan CFM	1881	2196	3167	3167	2614	3365	4046
Coil Face Area ft ² (m ²)	11.49 (1.07)	13.13 (1.22)	15.09 (1.40)	17.25 (1.60)	15.09 (1.40)	19.40 (1.80)	17.60 (1.64)
Coil Rows – fins per inch	1 – 25	1 – 25	1 – 20	1 – 20	2 – 20	2 – 20	2 – 20
Low Pressure Switch Open Pressure PSIG Close Pressure PSIG	23 ± 5 55 ± 5	23 ± 5 55 ± 5	23 ± 5 55 ± 5	23 ± 5 55 ± 5	23 ± 5 55 ± 5	23 ± 5 55 ± 5	23 ± 5 55 ± 5
High Pressure Switch Open Pressure PSIG Close Pressure PSIG	670 ± 10 470 ± 25	670 ± 10 470 ± 25	670 ± 10 470 ± 25	670 ± 10 470 ± 25	670 ± 10 470 ± 25	670 ± 10 470 ± 25	670 ± 10 470 ± 25
Liquid Line Connection Size in. (mm)	3/8 (10)	3/8 (10)	3/8 (10)	3/8 (10)	3/8 (10)	3/8 (10)	3/8 (10)
Vapor Line Connection Size in. (mm)	5/8 (16)	5/8 (16)	3/4 (19)	3/4 (19)	7/8 (22)	7/8 (22)	7/8 (22)
Recommended Line Set Liquid Tube Diameter in. (mm)	3/8 (10)	3/8 (10)	3/8 (10)	3/8 (10)	3/8 (10)	3/8 (10)	3/8 (10)
Recommended Line Set Vapor Tube Diameter in. (mm)	5/8 (16)*	5/8 (16)*	3/4 (19)*	3/4 (19)*	7/8 (22)*	7/8 (22)*	1-1/8 (29)*
* Recommended Vapor Tube Line size is for standard installations. These recommendations may not apply to “Long Line” installations. When the total equivalent line length exceeds 80 feet (24.4m) or there is more than 20 feet (6.1m) vertical separation between indoor and outdoor units, consult the Long Line Application Guideline document before purchasing/installing line sets.							
Factory Charge R-410A lbs. (kg)	5.16 (2.34)	5.95 (2.70)	6.40 (2.90)	6.34 (2.88)	8.88 (4.03)	10.41 (4.72)	11.00 (4.99)
Required Subcooling ° F (° C)	12 (7)	12 (7)	12 (7)	13 (7)	14 (8)	14 (8)	15 (8)
Weight, shipping lbs. (kg)	153 (69)	158 (72)	180 (82)	178 (81)	229 (104)	251 (114)	282 (128)
Weight, operating lbs. (kg)	127 (58)	133 (60)	146 (66)	152 (69)	193 (88)	216 (98)	250 (113)

ELECTRICAL DATA (208/230-1-60, voltage range 197V – 253V)							
Model Size	18	24	30	36	42	48	60
Minimum Circuit Ampacity – MCA (amps)	11.8	16.8	21.1	22.0	25.7	28.7	34.1
Maximum OverCurrent Protective device – MOCP (amps)	20	25	30	35	40	50	50
Compressor RLA (Rated Load Amps) LRA (Locked Rotor Amps)	9.0 48	12.8 58.3	16.0 77	16.7 79	19.9 109	21.8 117	26.3 134
Fan Motor FLA (Full Load Amps)	0.5	0.77	1.1	1.1	0.8	1.4	1.2

**Sound Rating tested in accordance with ARI Standard 270-95 (not listed with ARI).

R-410A COOLING CAPACITY LOSS FOR VARIOUS LINE LENGTHS & TUBE DIAMETERS

Model Size	Liquid Line in.(mm)	Acceptable Vapor Line Sizes in. (mm)	Cooling Capacity Loss (%) at Total Equivalent Line Length, feet (m) Refer to Long Line Application Guideline to calculate equivalent length										
			Standard Application			Long Line Application (Requires Accessories)							
			25' (7.6)	50' (15.2)	80' (24.4)	81' (24.7)	100' (30.5)	125' (38.1)	150' (45.7)	175' (53.3)	200' (61)	225' (68.6)	250' (76.2)
18	3/8 (10)	1/2 (13)	1	2	3	3	4	6	7	8	9	10	12
		5/8 (16)	0	0	1	1	1	1	2	2	3	3	3
24		5/8 (16)	0	1	1	1	2	3	3	4	4	5	6
		3/4 (19)	0	0	0	0	0	1	1	1	1	1	2
30		5/8 (16)	1	2	3	3	3	4	5	6	7	8	9
		3/4 (19)	0	0	1	1	1	1	2	2	2	3	3
		7/8 (22)	0	0	0	0	0	1	1	1	1	1	1
36		5/8 (16)	1	2	4	4	5	6	7	9	10	11	13
		3/4 (19)	0	0	1	1	1	2	2	3	3	4	4
		7/8 (22)	0	0	0	0	0	1	1	1	1	2	2
42		3/4 (19)	0	1	2	2	2	3	4	4	5	6	6
		7/8 (22)	0	0	1	1	1	1	2	2	2	3	3
48		3/4 (19)	0	1	2	2	3	4	5	5	6	7	8
		7/8 (22)	0	0	1	1	1	2	2	2	3	3	4
60/61	3/4 (19)	1	2	4	4	5	6	7	9	10	11	12	
	7/8 (22)	0	1	2	2	2	3	4	4	5	5	6	
	1-1/8 (29)	0	0	0	0	1	1	1	1	1	1	2	

* Applications are considered "Long Line" if the total equivalent tubing length exceeds 80 feet (24.4m) or there is more than 20 foot (6.1m) vertical separation between indoor and outdoor units. These applications require additional accessories and system modifications for reliable system operation.

Applications in shaded area may have height restrictions that limit allowable total equivalent length when outdoor unit is below indoor unit.

COOLING & HEATING PERFORMANCE FOR COMBINATION RATINGS Indoor Models

For complete ratings information, use the AHRI website directory search: www.AHRIdirectory.org. New ratings may be listed online before Specification Sheets are updated.

Outdoor Model	Current Indoor Model (‡ tested combo)	Furnace Model	Factory Installed	Cool 95° F (35° C)			SEER			Heat 47 ° F (8.3° C)		Heat 17 ° F (-8.3° C)		HSPF	
				BTU/hr	S / T	EER	factory	with field TDR	with field TXV	BTU/hr	COP	BTU/hr	COP		
N4H318AKE N4H318GKE	‡FS(M,U)4P18**A*	-	TDR	17,400	0.76	11.00	13.00				17,600	3.60	10,800	2.38	7.7
	ED*4X18B**	*8MPV050	TDR&TXV	17,400	0.76	11.50	14.00				17,400	3.68	10,700	2.44	7.8
	ED*4X18B**	*8MV*0701412**	TDR&TXV	17,000	0.76	11.50	14.00				17,000	3.50	10,300	2.38	7.7
	ED*4X18B**	*8MX*0451408**	TDR&TXV	17,200	0.76	11.50	14.00				17,200	3.60	10,400	2.40	7.7
	ED*4X18B**	MV08B15**B*	TDR&TXV	17,200	0.76	11.50	14.00				17,000	3.62	10,300	2.42	7.7
	ED*4X24B**	†	TXV	17,400	0.76	11.00		13.00			17,400	3.56	11,100	2.32	7.7
	ED*4X24B**	*8MV*0701412**	TDR&TXV	17,400	0.76	11.50	14.00				17,000	3.64	10,300	2.42	7.7
	ED*4X24B**	*8MX*0451408**	TDR&TXV	17,600	0.76	11.50	14.00				17,400	3.76	10,500	2.46	7.8
	ED*4X24B**	MV08B15**B*	TDR&TXV	17,400	0.76	11.50	14.00				17,000	3.74	10,300	2.48	8.0
	ED*4X24B**	*8MPV050	TDR&TXV	17,600	0.76	12.00	14.50				17,400	3.84	10,800	2.48	8.2
	ED*4X24F**	†	TXV	17,400	0.76	11.00		13.00			17,400	3.56	11,100	2.32	7.7
	ED*4X24F**	*8MV*0901716**	TDR&TXV	17,200	0.76	11.50	14.00				17,200	3.66	10,300	2.44	7.7
	ED*4X24F**	NOMV106D12*	TDR&TXV	17,400	0.76	11.50	14.00				17,200	3.70	10,400	2.44	7.8
	ED*4X24F**	*9MPV050	TDR&TXV	17,600	0.76	12.00	14.50				17,400	3.88	10,900	2.50	8.2
	ED*4X24F**	*9MPV075	TDR&TXV	17,600	0.76	12.00	14.50				17,400	3.88	10,900	2.50	8.2
	ED*4X24F**	*9MVX060	TDR&TXV	17,600	0.76	12.00	14.50				17,400	3.88	10,900	2.50	8.2
	ED*4X24F**	OLV098A12A	TDR&TXV	17,800	0.76	12.00	14.50				17,500	3.80	10,500	2.50	8.0
	ED*4X24F**	OMV098J12A	TDR&TXV	17,900	0.76	12.00	14.50				17,600	3.86	10,600	2.50	8.0
	EHD4X24A**	†	TXV	17,400	0.76	11.00		13.00			17,400	3.60	11,100	2.34	7.7
	EHD4X24A**	*8MPV050	TDR&TXV	17,600	0.76	11.50	14.00				17,400	3.84	10,800	2.48	8.0
	EHD4X24A**	*9MPV050	TDR&TXV	17,600	0.76	11.50	14.00				17,400	3.84	10,800	2.48	8.0
	EHD4X24A**	*9MPV075	TDR&TXV	17,600	0.76	11.50	14.00				17,400	3.82	10,800	2.48	8.0
	EHD4X24A**	*9MVX040	TDR&TXV	17,600	0.76	11.50	14.00				17,400	3.82	10,900	2.48	8.0
	EHD4X24A**	*9MVX060	TDR&TXV	17,600	0.76	11.50	14.00				17,400	3.84	10,900	2.48	8.0
	EHD4X24A**	MV08B15**B*	TDR&TXV	17,600	0.76	11.50	14.00				17,000	3.80	10,400	2.48	8.0
	EHD4X24A**	OLV098A12A	TDR&TXV	17,900	0.76	12.00	14.50				17,500	3.82	10,600	2.48	8.0
	EHD4X24A**	OMV098J12A	TDR&TXV	18,000	0.76	12.00	14.50				17,500	3.86	10,700	2.50	8.0
	EHD4X24A**†	*8MV*0701412**	TDR&TXV	17,400	0.76	11.50	14.00				17,200	3.68	10,400	2.42	7.8
	EHD4X24A**†	*8MV*0901716**	TDR&TXV	17,400	0.76	11.50	14.00				17,200	3.70	10,400	2.44	7.8
	EHD4X24A**†	*8MX*0451408**	TDR&TXV	17,600	0.76	11.50	14.00				17,200	3.76	10,500	2.46	7.8
	EHD4X24A**†	NOMV106D12*	TDR&TXV	17,400	0.76	11.50	14.00				17,200	3.74	10,500	2.44	7.8
	EMA4X24D**	†	TXV	17,400	0.76	11.00		13.00			17,400	3.60	11,100	2.34	7.7
	EN(A,D)4X18*14**	*8MV*0701412**	TDR&TXV	17,200	0.76	11.50	14.00				17,200	3.62	10,400	2.40	7.7
	EN(A,D)4X18*14**	*8MX*0451408**	TDR&TXV	17,400	0.76	11.50	14.00				17,200	3.68	10,500	2.42	7.7
	EN(A,D)4X19*17**	†	TXV	17,400	0.76	11.00		13.00			17,800	3.64	11,100	2.36	7.7
	EN(A,D)4X19*17**	*8MV*0901716**	TDR&TXV	17,400	0.76	11.50	14.00				17,200	3.76	10,400	2.46	7.8
	EN(A,D)4X19*17**	NOMV106D12*	TDR&TXV	17,400	0.76	11.50	14.00				17,200	3.80	10,400	2.48	7.8
	EN(A,D)4X19*17**	OLV098A12A	TDR&TXV	18,000	0.76	12.00	14.50				17,600	3.92	10,500	2.52	8.0
	EN(A,D)4X19*17**	OMV098J12A	TDR&TXV	18,000	0.76	12.00	14.50				17,600	3.96	10,600	2.54	8.2
	EN(A,D)4X24*14**	†	TXV	17,400	0.76	11.00		13.00			17,600	3.60	11,100	2.34	7.7
EN(A,D)4X24*14**	*8MV*0701412**	TDR&TXV	17,400	0.76	11.50	14.00				17,200	3.68	10,400	2.42	7.7	
EN(A,D)4X24*14**	*8MX*0451408**	TDR&TXV	17,400	0.76	11.50	14.00				17,200	3.78	10,500	2.46	8.0	
EN(A,D)4X24*17**	†	TXV	17,400	0.76	11.00		13.00			17,800	3.60	11,100	2.34	7.7	

2009 ENERGY STAR compliance for combinations with all three: SEER 14.50 or higher and EER 12.00 or higher and HSPF 8.2 or higher.

† For coils not listed with a matching furnace or blower, coil rating applies with any indoor blower device.

COOLING & HEATING PERFORMANCE FOR COMBINATION RATINGS (continued) Indoor Models

For complete ratings information, use the AHRI website directory search: www.AHRIdirectory.org. New ratings may be listed online before Specification Sheets are updated.

Outdoor Model	Current Indoor Model (‡ tested combo)	Furnace Model	Factory Installed	Cool 95° F (35° C)			SEER			Heat 47 ° F (8.3° C)		Heat 17 ° F (-8.3° C)		HSPF		
				BTU/hr	S / T	EER	factory	with field TDR	with field TXV	BTU/hr	COP	BTU/hr	COP			
N4H318AKE N4H318GKE (continued)	EN(A,D)4X24*17**	*8MV*0901716**	TDR&TXV	17,400	0.76	11.50	14.00				17,200	3.70	10,400	2.44	7.7	
	EN(A,D)4X24*17**	NOMV106D12*	TDR&TXV	17,400	0.76	11.50	14.00				17,200	3.74	10,400	2.46	7.8	
	EN(A,D)4X24*17**	*9MPV050	TDR&TXV	18,000	0.76	12.00	14.00				17,900	3.90	10,800	2.50	8.0	
	EN(A,D)4X24*17**	*9MVX040	TDR&TXV	18,000	0.76	12.00	14.00				17,900	3.90	10,900	2.50	8.0	
	EN(A,D)4X24*17**	OLV098A12A	TDR&TXV	17,800	0.76	12.00	14.50				17,600	3.82	10,500	2.50	8.0	
	EN(A,D)4X24*17**	OMV098J12A	TDR&TXV	18,000	0.76	12.00	14.50				17,700	3.88	10,600	2.50	8.0	
	ENH4X24*17**	†	TXV	17,400	0.76	11.00			13.00			17,800	3.60	11,100	2.34	7.7
	ENH4X24*17**	*8MV*0701412**	TDR&TXV	17,400	0.76	11.50	14.00					17,200	3.68	10,400	2.42	7.8
	ENH4X24*17**	*8MV*0901716**	TDR&TXV	17,400	0.76	11.50	14.00					17,200	3.70	10,400	2.44	7.8
	ENH4X24*17**	*8MX*0451408**	TDR&TXV	17,600	0.76	11.50	14.00					17,200	3.78	10,500	2.46	8.0
	ENH4X24*17**	NOMV106D12*	TDR&TXV	17,400	0.76	11.50	14.00					17,200	3.74	10,400	2.46	7.8
	ENH4X24*17**	*9MPV050	TDR&TXV	18,000	0.76	12.00	14.00					17,900	3.90	10,800	2.50	8.0
	ENH4X24*17**	*9MVX040	TDR&TXV	18,000	0.76	12.00	14.00					17,900	3.90	10,900	2.50	8.0
	ENH4X24*17**	OLV098A12A	TDR&TXV	17,800	0.76	12.00	14.50					17,600	3.82	10,500	2.50	8.0
	ENH4X24*17**	OMV098J12A	TDR&TXV	18,000	0.76	12.00	14.50					17,700	3.88	10,600	2.50	8.0
	FEA4X18**A*	-	TDR&TXV	17,200	0.76	11.50	14.00					17,200	3.68	10,600	2.42	7.8
	FEA4X24**A*	-	TDR&TXV	17,600	0.76	11.50	14.00					17,200	3.80	10,500	2.48	8.0
	FEM4P18**A*	-	TDR	17,400	0.76	11.00	13.00					17,400	3.70	10,500	2.44	8.0
	FEM4P18**A*+TXV	-	TDR	17,400	0.76	11.50					14.00	17,400	3.70	10,500	2.44	8.0
	FEM4P24**A*	-	TDR	17,200	0.76	11.00	13.20					17,400	3.70	10,500	2.42	8.0
	FEM4P24**A*+TXV	-	TDR	17,400	0.76	11.50					14.00	17,400	3.70	10,500	2.42	8.0
	FEM4X18****	-	TDR&TXV	17,600	0.76	11.50	14.00					17,200	3.70	10,600	2.44	7.8
	FEM4X24****	-	TDR&TXV	17,600	0.76	11.50	14.00					17,000	3.76	10,500	2.46	8.0
	FS(M,U)4P18**A*+TXV	-	TDR	17,400	0.76	11.00					13.50	17,600	3.58	10,800	2.36	7.7
	FS(M,U)4P24**A*	-	TDR	17,200	0.76	11.00	13.20					17,400	3.60	10,900	2.38	7.7
	FS(M,U)4P24**A*+TXV	-	TDR	17,400	0.76	11.00					13.50	17,200	3.60	10,900	2.38	7.7
	FS(M,U)4X18****	-	TDR&TXV	17,200	0.76	11.00	13.00					17,400	3.46	11,000	2.30	7.7
	FSA4X24**A*	-	TDR&TXV	17,200	0.76	11.00	13.00					17,600	3.52	11,000	2.32	7.7
	FVM4X24****	-	TDR&TXV	17,600	0.76	11.50	14.00					17,000	3.78	10,400	2.48	8.0
	FXM4X18**A*	-	TDR&TXV	17,800	0.76	12.00	15.00					17,200	3.84	10,500	2.50	8.2
FXM4X24**A*	-	TDR&TXV	17,800	0.76	12.00	15.00					17,000	3.84	10,500	2.50	8.2	
N4H324AKE N4H324GKE	‡FS(M,U)4P24**A*	-	TDR	23,000	0.77	11.00	13.00				22,800	3.60	13,700	2.40	7.7	
	ED*4X24B**	*8MPV050	TDR&TXV	23,000	0.77	11.00	13.00				22,800	3.62	13,500	2.34	7.9	
	ED*4X24B**	*8MV*0701412**	TDR&TXV	22,800	0.77	11.00	13.50				22,000	3.54	13,000	2.32	7.7	
	ED*4X24B**	*8MX*0451408**	TDR&TXV	23,000	0.77	11.00	13.50				22,400	3.58	13,100	2.34	7.8	
	ED*4X24B**	MV08B15**B*	TDR&TXV	23,000	0.77	11.50	14.00				22,000	3.64	13,000	2.36	7.9	
	ED*4X24F**	*9MPV075	TDR&TXV	23,000	0.77	11.00	13.20				22,400	3.62	13,300	2.34	7.7	
	ED*4X24F**	*9MVX040	TDR&TXV	23,000	0.77	11.00	13.50				22,400	3.60	13,300	2.34	7.7	
	ED*4X24F**	*9MVX060	TDR&TXV	23,000	0.77	11.00	13.50				22,400	3.66	13,400	2.36	7.7	
	ED*4X24F**	MV12F19**B*	TDR&TXV	23,000	0.77	11.00	14.00				22,000	3.66	12,900	2.38	7.7	
	ED*4X24F**	*8MPV075	TDR&TXV	23,000	0.77	11.50	13.50				22,800	3.70	13,400	2.38	8.0	
	ED*4X24F**	*8MV*0901716**	TDR&TXV	22,800	0.77	11.50	14.00				22,000	3.58	12,900	2.34	8.0	
	ED*4X24F**	*9MPV050	TDR&TXV	23,000	0.77	11.50	13.50				22,400	3.60	13,200	2.34	7.7	

2009 ENERGY STAR compliance for combinations with all three: SEER 14.50 or higher and EER 12.00 or higher and HSPF 8.2 or higher.
 † For coils not listed with a matching furnace or blower, coil rating applies with any indoor blower device.

- continued on next page -

COOLING & HEATING PERFORMANCE FOR COMBINATION RATINGS (continued) Indoor Models

For complete ratings information, use the AHRI website directory search: www.AHRIdirectory.org. New ratings may be listed online before Specification Sheets are updated.

Outdoor Model	Current Indoor Model (‡ tested combo)	Furnace Model	Factory Installed	Cool 95° F (35° C)			SEER			Heat 47 ° F (8.3° C)		Heat 17 ° F (-8.3° C)		HSPF	
				BTU/hr	S / T	EER	factory	with field TDR	with field TXV	BTU/hr	COP	BTU/hr	COP		
N4H324AKE N4H324GKE (continued)	ED*4X24F**	NOMV106D12*	TDR&TXV	22,800	0.77	11.50	13.50				22,000	3.54	12,900	2.32	7.8
	ED*4X24F**	OLV098A12A	TDR&TXV	23,400	0.77	11.50	13.50				22,400	3.66	13,400	2.44	8.0
	ED*4X24F**	OMV098J12A	TDR&TXV	23,400	0.77	11.50	13.50				22,400	3.64	13,400	2.42	8.0
	ED*4X30B**	*8MPV050	TDR&TXV	23,200	0.77	11.00	13.20				22,800	3.66	13,600	2.36	7.9
	ED*4X30B**	*8MV*0701412**	TDR&TXV	22,800	0.77	11.00	13.50				22,000	3.56	13,000	2.34	8.0
	ED*4X30B**	*8MX*0451408**	TDR&TXV	23,000	0.77	11.00	13.50				22,400	3.62	13,200	2.36	8.0
	ED*4X30B**	MV08B15**B*	TDR&TXV	23,000	0.77	11.50	14.00				22,000	3.66	13,000	2.38	7.9
	ED*4X30F**	*8MPV075	TDR&TXV	23,200	0.77	11.50	13.50				22,400	3.78	13,400	2.42	8.0
	ED*4X30F**	*8MV*0901716**	TDR&TXV	22,800	0.77	11.50	14.00				22,000	3.60	12,900	2.36	8.0
	ED*4X30F**	*9MPV050	TDR&TXV	23,000	0.77	11.50	13.50				22,400	3.64	13,300	2.36	7.9
	ED*4X30F**	*9MPV075	TDR&TXV	23,200	0.77	11.50	13.50				22,400	3.66	13,400	2.38	8.0
	ED*4X30F**	*9MVX040	TDR&TXV	23,000	0.77	11.50	13.50				22,400	3.64	13,300	2.36	7.9
	ED*4X30F**	*9MVX060	TDR&TXV	23,200	0.77	11.50	13.50				22,400	3.70	13,500	2.38	8.0
	ED*4X30F**	MV12F19**B*	TDR&TXV	23,000	0.77	11.50	14.00				22,000	3.68	13,000	2.40	7.9
	ED*4X30F**	NOMV106D12*	TDR&TXV	22,800	0.77	11.50	13.50				22,000	3.58	13,000	2.34	7.8
	ED*4X30F**	OLV098A12A	TDR&TXV	23,600	0.77	11.50	13.50				22,400	3.70	13,400	2.46	8.0
	ED*4X30F**	OMV098J12A	TDR&TXV	23,600	0.77	11.50	13.50				22,600	3.68	13,500	2.44	8.0
	EHD4X24A**	*8MPV050	TDR&TXV	23,000	0.77	11.00	13.20				22,800	3.64	13,500	2.34	7.8
	EHD4X24A**	*9MPV075	TDR&TXV	23,000	0.77	11.00	13.20				22,400	3.58	13,300	2.32	7.7
	EHD4X24A**	*9MVX040	TDR&TXV	23,000	0.77	11.00	13.20				22,400	3.60	13,300	2.32	7.9
	EHD4X24A**	*9MVX060	TDR&TXV	23,000	0.77	11.00	13.20				22,400	3.64	13,400	2.34	7.9
	EHD4X24A**	*8MPV075	TDR&TXV	23,000	0.77	11.50	13.50				22,800	3.68	13,400	2.36	7.9
	EHD4X24A**	*8MPV100	TDR&TXV	23,000	0.77	11.50	13.50				22,800	3.76	13,400	2.40	8.0
	EHD4X24A**	*8MPV125	TDR&TXV	23,000	0.77	11.50	13.50				22,800	3.76	13,400	2.40	8.0
	EHD4X24A**	*9MPV050	TDR&TXV	23,000	0.77	11.50	13.50				22,400	3.58	13,200	2.32	7.7
	EHD4X24A**	*9MPV100	TDR&TXV	23,000	0.77	11.50	13.50				22,400	3.68	13,400	2.36	7.8
	EHD4X24A**	*9MPV125	TDR&TXV	23,000	0.77	11.50	13.50				22,400	3.72	13,400	2.38	8.0
	EHD4X24A**	*9MVX080	TDR&TXV	23,000	0.77	11.50	13.50				22,800	3.74	13,500	2.40	8.0
	EHD4X24A**	*9MVX100	TDR&TXV	23,000	0.77	11.50	13.50				22,400	3.72	13,400	2.38	8.0
	EHD4X24A**	MV08B15**B*	TDR&TXV	23,000	0.77	11.50	14.00				22,000	3.70	13,100	2.38	7.9
	EHD4X24A**	MV12F19**B*	TDR&TXV	23,000	0.77	11.50	14.00				22,000	3.70	13,100	2.38	8.0
	EHD4X24A**	OLV098A12A	TDR&TXV	23,600	0.77	11.50	13.50				22,600	3.70	13,600	2.44	8.0
	EHD4X24A**	OMV098J12A	TDR&TXV	23,600	0.77	11.50	13.50				22,600	3.68	13,600	2.44	8.0
	EHD4X24A**†	*8MV*0701412**	TDR&TXV	22,800	0.77	11.50	13.50				22,200	3.58	13,100	2.34	8.0
EHD4X24A**†	*8MV*0901716**	TDR&TXV	23,000	0.77	11.50	13.50				22,200	3.62	13,000	2.36	8.0	
EHD4X24A**†	*8MV*1102120**	TDR&TXV	23,000	0.77	11.50	13.50				22,400	3.60	13,100	2.34	8.0	
EHD4X24A**†	*8MV*1352422**	TDR&TXV	23,000	0.77	11.50	13.50				22,400	3.62	13,100	2.34	8.0	
EHD4X24A**†	*8MX*0451408**	TDR&TXV	23,000	0.77	11.50	13.50				22,400	3.62	13,200	2.34	8.0	
EHD4X24A**†	NOMV106D12*	TDR&TXV	22,800	0.77	11.50	13.50				22,000	3.58	13,100	2.32	7.8	
EHD4X30A**	*8MPV050	TDR&TXV	23,200	0.77	11.00	13.20				22,400	3.68	13,600	2.36	8.0	
EHD4X30A**	*9MPV075	TDR&TXV	23,200	0.77	11.00	13.20				22,400	3.64	13,400	2.36	7.9	
EHD4X30A**	*8MPV075	TDR&TXV	23,200	0.77	11.50	13.50				22,400	3.74	13,400	2.40	8.0	
EHD4X30A**	*8MPV100	TDR&TXV	23,200	0.77	11.50	13.50				22,400	3.82	13,500	2.44	8.0	

2009 ENERGY STAR compliance for combinations with all three: SEER 14.50 or higher and EER 12.00 or higher and HSPF 8.2 or higher.

† For coils not listed with a matching furnace or blower, coil rating applies with any indoor blower device.

- continued on next page -

COOLING & HEATING PERFORMANCE FOR COMBINATION RATINGS (continued) Indoor Models

For complete ratings information, use the AHRI website directory search: www.AHRIdirectory.org. New ratings may be listed online before Specification Sheets are updated.

Outdoor Model	Current Indoor Model (‡ tested combo)	Furnace Model	Factory Installed	Cool 95° F (35° C)			SEER			Heat 47 ° F (8.3° C)		Heat 17 ° F (-8.3° C)		HSPF	
				BTU/hr	S / T	EER	factory	with field TDR	with field TXV	BTU/hr	COP	BTU/hr	COP		
N4H324AKE N4H324GKE (continued)	EHD4X30A**	*8MPV125	TDR&TXV	23,200	0.77	11.50	13.50				22,400	3.84	13,500	2.44	8.0
	EHD4X30A**	*8MV*0701412**	TDR&TXV	23,000	0.77	11.50	13.50				22,000	3.58	13,000	2.34	7.8
	EHD4X30A**	*8MV*0901716**	TDR&TXV	23,000	0.77	11.50	13.50				22,000	3.62	13,000	2.36	8.0
	EHD4X30A**	*8MV*1102120**	TDR&TXV	23,000	0.77	11.50	13.50				22,200	3.60	13,000	2.36	8.0
	EHD4X30A**	*8MV*1352422**	TDR&TXV	23,000	0.77	11.50	13.50				22,200	3.60	13,000	2.36	8.0
	EHD4X30A**	*8MX*0451408**	TDR&TXV	23,000	0.77	11.50	13.50				22,400	3.64	13,200	2.36	8.0
	EHD4X30A**	*9MPV050	TDR&TXV	23,200	0.77	11.50	13.50				22,400	3.62	13,300	2.34	7.9
	EHD4X30A**	*9MPV100	TDR&TXV	23,200	0.77	11.50	13.50				22,400	3.76	13,500	2.40	8.0
	EHD4X30A**	*9MPV125	TDR&TXV	23,200	0.77	11.50	13.50				22,400	3.78	13,400	2.42	8.0
	EHD4X30A**	*9MVX040	TDR&TXV	23,200	0.77	11.50	13.50				22,400	3.62	13,300	2.34	7.9
	EHD4X30A**	*9MVX060	TDR&TXV	23,200	0.77	11.50	13.50				22,400	3.70	13,400	2.38	8.0
	EHD4X30A**	*9MVX080	TDR&TXV	23,200	0.77	11.50	13.50				22,400	3.80	13,600	2.44	8.0
	EHD4X30A**	*9MVX100	TDR&TXV	23,200	0.77	11.50	13.50				22,400	3.78	13,400	2.42	8.0
	EHD4X30A**	MV08B15**B*	TDR&TXV	23,200	0.77	11.50	14.00				22,000	3.68	13,000	2.40	7.9
	EHD4X30A**	MV12F19**B*	TDR&TXV	23,200	0.77	11.50	14.00				22,000	3.68	13,000	2.40	7.9
	EHD4X30A**	NOMV106D12*	TDR&TXV	22,800	0.77	11.50	13.50				22,000	3.58	13,000	2.34	7.8
	EHD4X30A**	OLV098A12A	TDR&TXV	23,800	0.77	11.50	13.50				22,600	3.70	13,500	2.46	8.0
	EHD4X30A**	OMV098J12A	TDR&TXV	23,600	0.77	11.50	13.50				22,600	3.68	13,500	2.44	8.0
	EN(A,D)4X24*14**	*8MV*0701412**	TDR&TXV	22,800	0.77	11.00	13.50				22,200	3.60	13,000	2.32	8.0
	EN(A,D)4X24*14**	*8MX*0451408**	TDR&TXV	22,800	0.77	11.00	13.50				22,400	3.62	13,200	2.34	8.0
	EN(A,D)4X24*17**	*8MV*0901716**	TDR&TXV	22,800	0.77	11.00	13.50				22,200	3.64	13,000	2.34	8.0
	EN(A,D)4X24*17**	*9MPV050	TDR&TXV	23,200	0.77	11.00	13.00				22,600	3.64	13,500	2.40	8.0
	EN(A,D)4X24*17**	*9MVX040	TDR&TXV	23,200	0.77	11.00	13.00				22,600	3.66	13,600	2.40	8.0
	EN(A,D)4X24*17**	OMV098J12A	TDR&TXV	23,400	0.77	11.00	13.00				22,600	3.68	13,500	2.42	8.0
	EN(A,D)4X24*17**	NOMV106D12*	TDR&TXV	22,600	0.77	11.50	13.50				22,000	3.58	13,000	2.32	7.8
	EN(A,D)4X24*17**	OLV098A12A	TDR&TXV	23,400	0.77	11.50	13.50				22,600	3.70	13,500	2.42	8.0
	EN(A,D)4X30*14**	*8MV*0701412**	TDR&TXV	22,800	0.77	11.00	13.50				22,000	3.56	13,000	2.34	7.8
	EN(A,D)4X30*14**	*8MX*0451408**	TDR&TXV	23,000	0.77	11.00	13.50				22,400	3.60	13,200	2.36	8.0
	EN(A,D)4X30*17**	*8MV*0901716**	TDR&TXV	23,000	0.77	11.50	14.00				22,000	3.62	13,000	2.36	8.0
	EN(A,D)4X30*17**	*9MPV050	TDR&TXV	23,600	0.77	11.50	13.50				22,600	3.68	13,600	2.44	8.0
	EN(A,D)4X30*17**	*9MPV075	TDR&TXV	23,800	0.77	11.50	13.50				22,800	3.72	13,700	2.46	8.0
	EN(A,D)4X30*17**	*9MVX040	TDR&TXV	23,600	0.77	11.50	13.50				22,600	3.68	13,600	2.44	8.0
	EN(A,D)4X30*17**	*9MVX060	TDR&TXV	24,000	0.77	11.50	13.50				22,800	3.76	13,800	2.48	8.2
	EN(A,D)4X30*17**	NOMV106D12*	TDR&TXV	22,800	0.77	11.50	13.50				22,000	3.58	13,000	2.34	7.8
	EN(A,D)4X30*17**	OLV098A12A	TDR&TXV	23,600	0.77	11.50	13.50				22,400	3.70	13,400	2.46	8.0
	EN(A,D)4X30*17**	OMV098J12A	TDR&TXV	23,600	0.77	11.50	13.50				22,600	3.68	13,500	2.44	8.0
	ENH4X24*17**	*9MPV050	TDR&TXV	23,200	0.77	11.00	13.00				22,600	3.64	13,500	2.40	8.0
	ENH4X24*17**	*9MVX040	TDR&TXV	23,200	0.77	11.00	13.00				22,600	3.66	13,600	2.40	8.0
	ENH4X24*17**	OMV098J12A	TDR&TXV	23,400	0.77	11.00	13.00				22,600	3.68	13,500	2.42	8.0
	ENH4X24*17**	*8MV*0701412**	TDR&TXV	22,600	0.77	11.50	13.50				22,200	3.60	13,000	2.32	8.0
ENH4X24*17**	*8MV*0901716**	TDR&TXV	22,800	0.77	11.50	13.50				22,200	3.64	13,000	2.34	8.0	
ENH4X24*17**	*8MV*1102120**	TDR&TXV	22,800	0.77	11.50	13.50				22,200	3.62	13,100	2.34	8.0	
ENH4X24*17**	*8MV*1352422**	TDR&TXV	22,800	0.77	11.50	13.50				22,200	3.62	13,000	2.34	8.0	

2009 ENERGY STAR compliance for combinations with all three: SEER 14.50 or higher and EER 12.00 or higher and HSPF 8.2 or higher.
 † For coils not listed with a matching furnace or blower, coil rating applies with any indoor blower device.

- continued on next page -

COOLING & HEATING PERFORMANCE FOR COMBINATION RATINGS (continued) Indoor Models

For complete ratings information, use the AHRI website directory search: www.AHRIdirectory.org. New ratings may be listed online before Specification Sheets are updated.

Outdoor Model	Current Indoor Model (‡ tested combo)	Furnace Model	Factory Installed	Cool 95° F (35° C)			SEER			Heat 47 ° F (8.3° C)		Heat 17 ° F (-8.3° C)		HSPF	
				BTU/hr	S / T	EER	factory	with field TDR	with field TXV	BTU/hr	COP	BTU/hr	COP		
N4H324AKE N4H324GKE (continued)	ENH4X24*17**	*8MX*0451408**	TDR&TXV	22,800	0.77	11.50	13.50				22,200	3.62	13,200	2.34	8.0
	ENH4X24*17**	NOMV106D12*	TDR&TXV	22,600	0.77	11.50	13.50				22,000	3.58	13,000	2.32	7.8
	ENH4X24*17**	OLV098A12A	TDR&TXV	23,400	0.77	11.50	13.50				22,600	3.70	13,500	2.42	8.0
	ENH4X30*17**	*8MV*0701412**	TDR&TXV	22,800	0.77	11.50	13.50				22,200	3.58	13,000	2.34	8.0
	ENH4X30*17**	*8MV*0901716**	TDR&TXV	23,000	0.77	11.50	14.00				22,200	3.62	13,000	2.36	8.0
	ENH4X30*17**	*8MV*1102120**	TDR&TXV	23,000	0.77	11.50	13.50				22,200	3.62	13,000	2.36	8.0
	ENH4X30*17**	*8MV*1352422**	TDR&TXV	23,000	0.77	11.50	13.50				22,200	3.62	13,000	2.36	8.0
	ENH4X30*17**	*8MX*0451408**	TDR&TXV	23,000	0.77	11.50	13.50				22,400	3.66	13,200	2.38	8.0
	ENH4X30*17**	*9MPV050	TDR&TXV	23,600	0.77	11.50	13.50				22,600	3.68	13,600	2.44	8.0
	ENH4X30*17**	*9MPV075	TDR&TXV	23,800	0.77	11.50	13.50				22,800	3.72	13,700	2.46	8.0
	ENH4X30*17**	*9MVX040	TDR&TXV	23,600	0.77	11.50	13.50				22,600	3.68	13,600	2.44	8.0
	ENH4X30*17**	*9MVX060	TDR&TXV	24,000	0.77	11.50	13.50				22,800	3.76	13,800	2.48	8.2
	ENH4X30*17**	NOMV106D12*	TDR&TXV	22,800	0.77	11.50	13.50				22,000	3.58	13,000	2.34	7.8
	ENH4X30*17**	OLV098A12A	TDR&TXV	23,600	0.77	11.50	13.50				22,400	3.70	13,400	2.46	8.0
	ENH4X30*17**	OMV098J12A	TDR&TXV	23,600	0.77	11.50	13.50				22,600	3.68	13,500	2.44	8.0
	FEA4X24**A*	-	TDR&TXV	23,000	0.77	11.00	13.50				22,600	3.60	13,300	2.34	8.0
	FEA4X30**A*	-	TDR&TXV	23,000	0.77	11.50	13.50				22,600	3.60	13,400	2.34	8.0
	FEM4P24**A*	-	TDR	23,000	0.77	11.00	13.00				22,600	3.54	13,300	2.30	8.0
	FEM4P24**A*+TXV	-	TDR	23,000	0.77	11.00				13.20	22,600	3.54	13,300	2.30	8.0
	FEM4P30**A*	-	TDR	23,000	0.77	11.00	13.20				22,600	3.68	13,300	2.38	8.0
	FEM4P30**A*+TXV	-	TDR	23,000	0.77	11.00				13.50	22,400	3.68	13,300	2.38	8.0
	FEM4X24****	-	TDR&TXV	22,800	0.77	11.00	13.20				22,400	3.60	13,300	2.34	8.0
	FEM4X30****	-	TDR&TXV	23,200	0.77	11.50	13.50				22,400	3.70	13,300	2.38	8.0
	FS(M,U)4P24**A*+TXV	-	TDR	23,000	0.77	11.00				13.20	22,800	3.56	13,500	2.32	7.7
	FS(M,U)4P30**A*+TXV	-	TDR	22,800	0.77	11.00				13.20	22,600	3.62	13,600	2.32	7.8
	FVM4X24****	-	TDR&TXV	23,000	0.77	11.50	14.00				22,400	3.68	13,000	2.38	7.9
	FXM4X24**A*	-	TDR&TXV	23,200	0.77	11.50	14.00				22,600	3.68	13,300	2.38	8.0
	FXM4X30**A*	-	TDR&TXV	23,200	0.77	11.50	13.50				22,800	3.70	13,400	2.38	8.0
	FXM4X36**A*	-	TDR&TXV	23,200	0.77	12.00	14.50				22,000	3.84	13,300	2.46	8.2
	N4H330AKE N4H330GKE	‡FS(M,U)4P30**A*	-	TDR	30,000	0.76	11.00	13.00				30,000	3.52	18,500	2.34
ED*4X30B**		*8MV*0701412**	TDR&TXV	30,000	0.76	11.00	13.00				29,200	3.42	18,000	2.32	7.7
ED*4X30B**		MV08B15**B*	TDR&TXV	30,000	0.76	11.50	13.50				29,000	3.50	18,000	2.36	7.7
ED*4X30F**		*8MPV075	TDR&TXV	30,000	0.76	11.00	13.20				29,600	3.50	18,300	2.36	7.7
ED*4X30F**		*8MX*0701716**	TDR&TXV	30,000	0.76	11.00	13.20				29,200	3.46	18,200	2.34	7.7
ED*4X30F**		*9MPV050	TDR&TXV	30,000	0.76	11.00	13.00				29,600	3.42	18,300	2.30	7.7
ED*4X30F**		*9MPV075	TDR&TXV	30,000	0.76	11.00	13.00				29,600	3.44	18,300	2.32	7.7
ED*4X30F**		*9MVX040	TDR&TXV	30,000	0.76	11.00	13.00				29,600	3.42	18,300	2.30	7.7
ED*4X30F**		*9MVX060	TDR&TXV	30,000	0.76	11.00	13.00				29,600	3.46	18,400	2.34	7.7
ED*4X30F**		OLV098A12A	TDR&TXV	30,000	0.76	11.00	13.00				30,000	3.44	18,100	2.34	7.7
ED*4X30F**		OLV112A16A	TDR&TXV	30,000	0.76	11.00	13.00				30,000	3.50	18,200	2.36	7.7
ED*4X30F**		OMV098J12A	TDR&TXV	30,000	0.76	11.00	13.00				30,000	3.44	18,200	2.32	7.7
ED*4X30F**		OMV112K14A	TDR&TXV	30,000	0.76	11.00	13.00				30,000	3.48	18,000	2.36	7.7
ED*4X30F**		*8MV*0901716**	TDR&TXV	30,000	0.76	11.50	13.50				29,200	3.44	17,900	2.34	7.7

2009 ENERGY STAR compliance for combinations with all three: SEER 14.50 or higher and EER 12.00 or higher and HSPF 8.2 or higher.

‡ For coils not listed with a matching furnace or blower, coil rating applies with any indoor blower device.

- continued on next page -

COOLING & HEATING PERFORMANCE FOR COMBINATION RATINGS (continued) Indoor Models

For complete ratings information, use the AHRI website directory search: www.AHRIdirectory.org. New ratings may be listed online before Specification Sheets are updated.

Outdoor Model	Current Indoor Model (‡ tested combo)	Furnace Model	Factory Installed	Cool 95° F (35° C)			SEER			Heat 47 ° F (8.3° C)		Heat 17 ° F (-8.3° C)		HSPF	
				BTU/hr	S / T	EER	factory	with field TDR	with field TXV	BTU/hr	COP	BTU/hr	COP		
N4H330AKE N4H330GKE (continued)	ED*4X30F**	MV12F19**B*	TDR&TXV	30,000	0.76	11.50	13.50				29,400	3.52	17,900	2.38	7.7
	ED*4X36B**	*8MV*0701412**	TDR&TXV	30,000	0.76	11.00	13.20				29,200	3.44	18,000	2.32	7.7
	ED*4X36B**	MV08B15**B*	TDR&TXV	30,000	0.76	11.50	13.50				29,400	3.52	18,000	2.38	7.7
	ED*4X36F**	*8MPV075	TDR&TXV	30,000	0.76	11.00	13.20				29,400	3.54	18,300	2.36	7.8
	ED*4X36F**	*8MX*0701716**	TDR&TXV	30,000	0.76	11.00	13.20				29,200	3.48	18,300	2.34	7.7
	ED*4X36F**	*9MPV050	TDR&TXV	30,000	0.76	11.00	13.00				29,400	3.44	18,300	2.32	7.7
	ED*4X36F**	*9MPV075	TDR&TXV	30,000	0.76	11.00	13.00				29,400	3.46	18,400	2.32	7.7
	ED*4X36F**	*9MVX040	TDR&TXV	30,000	0.76	11.00	13.00				29,400	3.44	18,400	2.32	7.7
	ED*4X36F**	*9MVX060	TDR&TXV	30,000	0.76	11.00	13.00				29,400	3.50	18,400	2.34	7.7
	ED*4X36F**	NOMV106D12*	TDR&TXV	29,800	0.76	11.00	13.20				29,000	3.42	17,900	2.32	7.7
	ED*4X36F**	OLV098A12A	TDR&TXV	30,000	0.76	11.00	13.00				30,000	3.46	18,100	2.34	7.7
	ED*4X36F**	OLV112A16A	TDR&TXV	30,000	0.76	11.00	13.00				30,000	3.52	18,200	2.36	7.7
	ED*4X36F**	OMV098J12A	TDR&TXV	30,000	0.76	11.00	13.00				30,000	3.46	18,200	2.34	7.7
	ED*4X36F**	OMV112K14A	TDR&TXV	30,000	0.76	11.00	13.00				30,000	3.52	18,000	2.38	7.7
	ED*4X36F**	*8MV*0901716**	TDR&TXV	30,000	0.76	11.50	13.50				29,200	3.46	17,900	2.36	7.7
	ED*4X36F**	MV12F19**B*	TDR&TXV	30,000	0.76	11.50	13.50				29,400	3.54	17,900	2.40	7.8
	ED*4X36J**	OLV112A16A	TDR&TXV	30,000	0.76	11.00	13.00				30,000	3.54	18,100	2.38	7.7
	ED*4X36J**	*8MPV100	TDR&TXV	30,000	0.76	11.50	13.50				29,400	3.62	18,200	2.42	7.8
	ED*4X36J**	*8MPV125	TDR&TXV	30,000	0.76	11.50	13.50				29,400	3.62	18,200	2.42	7.8
	ED*4X36J**	*8MV*1102120**	TDR&TXV	30,000	0.76	11.50	13.50				29,200	3.50	17,900	2.36	7.7
	ED*4X36J**	*8MX*0902116**	TDR&TXV	30,000	0.76	11.50	13.50				29,200	3.56	18,200	2.38	7.8
	ED*4X36J**	*9MPV100	TDR&TXV	30,000	0.76	11.50	13.50				29,400	3.58	18,300	2.40	7.8
	ED*4X36J**	*9MVX080	TDR&TXV	30,000	0.76	11.50	13.50				29,400	3.60	18,400	2.40	7.8
	EHD4X30A**	*8MPV050	TDR&TXV	30,000	0.76	11.00	13.00				29,400	3.44	18,700	2.30	7.7
	EHD4X30A**	*8MPV075	TDR&TXV	30,000	0.76	11.00	13.00				29,400	3.48	18,300	2.34	7.7
	EHD4X30A**	*8MPV100	TDR&TXV	30,000	0.76	11.00	13.20				29,400	3.52	18,100	2.36	7.7
	EHD4X30A**	*8MV*0701412**	TDR&TXV	30,000	0.76	11.00	13.50				29,200	3.44	18,100	2.34	7.7
	EHD4X30A**	*8MX*0701716**	TDR&TXV	30,000	0.76	11.00	13.20				29,200	3.44	18,200	2.32	7.7
	EHD4X30A**	*9MPV050	TDR&TXV	30,000	0.76	11.00	13.00				29,400	3.40	18,300	2.30	7.7
	EHD4X30A**	*9MPV075	TDR&TXV	30,000	0.76	11.00	13.00				29,400	3.42	18,300	2.30	7.7
	EHD4X30A**	*9MPV100	TDR&TXV	30,000	0.76	11.00	13.00				29,400	3.48	18,200	2.34	7.7
	EHD4X30A**	*9MPV125	TDR&TXV	30,000	0.76	11.00	13.20				29,400	3.48	18,100	2.36	7.7
	EHD4X30A**	*9MVX040	TDR&TXV	30,000	0.76	11.00	13.00				29,400	3.40	18,300	2.30	7.7
	EHD4X30A**	*9MVX060	TDR&TXV	30,000	0.76	11.00	13.00				29,400	3.44	18,400	2.32	7.7
	EHD4X30A**	*9MVX080	TDR&TXV	30,000	0.76	11.00	13.20				29,400	3.52	18,300	2.36	7.7
	EHD4X30A**	*9MVX100	TDR&TXV	30,000	0.76	11.00	13.20				29,400	3.48	18,100	2.34	7.7
	EHD4X30A**	OLV098A12A	TDR&TXV	30,000	0.76	11.00	13.00				30,000	3.44	18,200	2.32	7.7
	EHD4X30A**	OLV112A16A	TDR&TXV	30,000	0.76	11.00	13.00				30,000	3.50	18,300	2.36	7.7
	EHD4X30A**	OMV098J12A	TDR&TXV	30,000	0.76	11.00	13.00				30,000	3.46	18,300	2.32	7.7
	EHD4X30A**	OMV112K14A	TDR&TXV	30,000	0.76	11.00	13.00				30,000	3.50	18,100	2.36	7.7
EHD4X30A**	*8MPV125	TDR&TXV	30,000	0.76	11.50	13.50				29,400	3.52	18,100	2.36	7.7	
EHD4X30A**	*8MV*0901716**	TDR&TXV	30,000	0.76	11.50	13.50				29,200	3.46	18,000	2.34	7.7	
EHD4X30A**	*8MV*1102120**	TDR&TXV	30,000	0.76	11.50	13.50				29,200	3.46	18,000	2.34	7.7	

2009 ENERGY STAR compliance for combinations with all three: SEER 14.50 or higher and EER 12.00 or higher and HSPF 8.2 or higher.
 † For coils not listed with a matching furnace or blower, coil rating applies with any indoor blower device.

- continued on next page -

COOLING & HEATING PERFORMANCE FOR COMBINATION RATINGS (continued) Indoor Models

For complete ratings information, use the AHRI website directory search: www.AHRIdirectory.org. New ratings may be listed online before Specification Sheets are updated.

Outdoor Model	Current Indoor Model (‡ tested combo)	Furnace Model	Factory Installed	Cool 95° F (35° C)			SEER			Heat 47 ° F (8.3° C)		Heat 17 ° F (-8.3° C)		HSPF	
				BTU/hr	S / T	EER	factory	with field TDR	with field TXV	BTU/hr	COP	BTU/hr	COP		
N4H330AKE N4H330GKE (continued)	EHD4X30A**	*8MV*1352422**	TDR&TXV	30,000	0.76	11.50	13.50				29,200	3.48	18,000	2.36	7.7
	EHD4X30A**	*8MX*0902116**	TDR&TXV	30,000	0.76	11.50	13.20				29,200	3.46	18,100	2.34	7.7
	EHD4X30A**	MV08B15**B*	TDR&TXV	30,000	0.76	11.50	13.50				29,400	3.52	18,000	2.38	7.7
	EHD4X30A**	MV12F19**B*	TDR&TXV	30,000	0.76	11.50	13.50				29,400	3.54	18,000	2.38	7.8
	EHD4X36A**	*8MPV050	TDR&TXV	30,000	0.76	11.00	13.00				30,000	3.56	18,800	2.36	7.8
	EHD4X36A**	*9MPV050	TDR&TXV	30,000	0.76	11.00	13.00				29,600	3.54	18,500	2.36	7.8
	EHD4X36A**	*9MPV075	TDR&TXV	30,000	0.76	11.00	13.00				29,600	3.56	18,500	2.36	7.8
	EHD4X36A**	*9MVX040	TDR&TXV	30,000	0.76	11.00	13.00				29,600	3.54	18,500	2.36	7.8
	EHD4X36A**	*9MVX060	TDR&TXV	30,000	0.76	11.00	13.20				29,600	3.58	18,500	2.38	7.8
	EHD4X36A**	OLV098A12A	TDR&TXV	30,000	0.76	11.00	13.00				30,000	3.56	18,200	2.38	7.7
	EHD4X36A**	OMV098J12A	TDR&TXV	30,000	0.76	11.00	13.00				30,000	3.56	18,300	2.38	7.7
	EHD4X36A**	*8MPV075	TDR&TXV	30,000	0.76	11.50	13.50				29,600	3.64	18,500	2.40	7.8
	EHD4X36A**	*8MPV100	TDR&TXV	30,000	0.76	11.50	13.50				29,600	3.66	18,300	2.44	8.0
	EHD4X36A**	*8MPV125	TDR&TXV	30,000	0.76	11.50	13.50				29,600	3.68	18,300	2.44	8.0
	EHD4X36A**	*8MV*0701412**	TDR&TXV	30,000	0.76	11.50	13.50				29,200	3.54	18,100	2.38	7.7
	EHD4X36A**	*8MV*0901716**	TDR&TXV	30,000	0.76	11.50	13.50				29,200	3.56	18,000	2.38	7.7
	EHD4X36A**	*8MV*1102120**	TDR&TXV	30,000	0.76	11.50	13.50				29,200	3.58	18,100	2.40	7.7
	EHD4X36A**	*8MV*1352422**	TDR&TXV	30,000	0.76	11.50	13.50				29,200	3.58	18,000	2.40	7.8
	EHD4X36A**	*8MX*0701716**	TDR&TXV	30,000	0.76	11.50	13.50				29,200	3.58	18,400	2.38	7.8
	EHD4X36A**	*8MX*0902116**	TDR&TXV	30,000	0.76	11.50	13.50				29,200	3.62	18,300	2.40	7.8
	EHD4X36A**	*9MPV100	TDR&TXV	30,000	0.76	11.50	13.50				29,600	3.64	18,400	2.42	7.8
	EHD4X36A**	*9MPV125	TDR&TXV	30,000	0.76	11.50	13.50				29,600	3.66	18,300	2.42	7.8
	EHD4X36A**	*9MVX080	TDR&TXV	30,000	0.76	11.50	13.50				29,600	3.68	18,500	2.42	8.0
	EHD4X36A**	*9MVX100	TDR&TXV	30,000	0.76	11.50	13.50				29,600	3.62	18,300	2.42	7.8
	EHD4X36A**	MV08B15**B*	TDR&TXV	30,000	0.76	11.50	13.50				29,400	3.62	18,100	2.42	7.8
	EHD4X36A**	MV12F19**B*	TDR&TXV	30,000	0.76	11.50	14.00				29,400	3.64	18,000	2.44	7.8
	EHD4X36A**	NOMV106D12*	TDR&TXV	30,000	0.76	11.50	13.50				29,000	3.50	18,000	2.36	7.7
	EHD4X36A**	OLV112A16A	TDR&TXV	30,000	0.76	11.50	13.50				30,000	3.62	18,300	2.40	7.7
	EHD4X36A**	OMV112K14A	TDR&TXV	30,000	0.76	11.50	13.50				30,000	3.60	18,100	2.40	7.7
	EN(A,D)4X30*14**	*8MV*0701412**	TDR&TXV	30,000	0.76	11.00	13.00				29,200	3.42	18,100	2.32	7.7
	EN(A,D)4X30*17**	*8MX*0701716**	TDR&TXV	30,000	0.76	11.00	13.20				29,200	3.46	18,200	2.34	7.7
	EN(A,D)4X30*17**	*9MPV075	TDR&TXV	30,000	0.76	11.00	13.00				30,000	3.44	18,300	2.32	7.7
	EN(A,D)4X30*17**	*9MVX060	TDR&TXV	30,000	0.76	11.00	13.00				30,000	3.46	18,400	2.34	7.7
	EN(A,D)4X30*17**	OLV098A12A	TDR&TXV	30,000	0.76	11.00	13.00				30,000	3.44	18,100	2.34	7.7
	EN(A,D)4X30*17**	OMV098J12A	TDR&TXV	30,000	0.76	11.00	13.00				30,000	3.44	18,200	2.32	7.7
	EN(A,D)4X30*17**	OMV112K14A	TDR&TXV	30,000	0.76	11.00	13.00				30,000	3.48	18,000	2.36	7.7
	EN(A,D)4X30*17**	*8MV*0901716**	TDR&TXV	30,000	0.76	11.50	13.50				29,200	3.46	17,900	2.34	7.7
	EN(A,D)4X36*21**	*8MX*0902116**	TDR&TXV	30,000	0.76	11.00	13.20				29,200	3.48	18,100	2.36	7.7
	EN(A,D)4X36*21**	*9MPV075	TDR&TXV	30,000	0.76	11.00	13.00				30,000	3.44	18,300	2.32	7.7
	EN(A,D)4X36*21**	*9MPV100	TDR&TXV	30,000	0.76	11.00	13.00				30,000	3.52	18,200	2.36	7.7
EN(A,D)4X36*21**	*9MVX040	TDR&TXV	30,000	0.76	11.00	13.00				30,000	3.42	18,300	2.32	7.7	
EN(A,D)4X36*21**	*9MVX060	TDR&TXV	30,000	0.76	11.00	13.00				30,000	3.48	18,400	2.34	7.7	
EN(A,D)4X36*21**	*9MVX080	TDR&TXV	30,000	0.76	11.00	13.00				30,000	3.56	18,300	2.38	7.7	

2009 ENERGY STAR compliance for combinations with all three: SEER 14.50 or higher and EER 12.00 or higher and HSPF 8.2 or higher.

† For coils not listed with a matching furnace or blower, coil rating applies with any indoor blower device.

- continued on next page -

COOLING & HEATING PERFORMANCE FOR COMBINATION RATINGS (continued) Indoor Models

For complete ratings information, use the AHRI website directory search: www.AHRI.org. New ratings may be listed online before Specification Sheets are updated.

Outdoor Model	Current Indoor Model (‡ tested combo)	Furnace Model	Factory Installed	Cool 95° F (35° C)			SEER			Heat 47 ° F (8.3° C)		Heat 17 ° F (-8.3° C)		HSPF	
				BTU/hr	S / T	EER	factory	with field TDR	with field TXV	BTU/hr	COP	BTU/hr	COP		
N4H330AKE N4H330GKE (continued)	EN(A,D)4X36*21**	OLV098A12A	TDR&TXV	30,000	0.76	11.00	13.00				30,000	3.44	18,100	2.34	7.7
	EN(A,D)4X36*21**	OLV112A16A	TDR&TXV	30,000	0.76	11.00	13.00				30,000	3.50	18,200	2.36	7.7
	EN(A,D)4X36*21**	OMV098J12A	TDR&TXV	30,000	0.76	11.00	13.00				30,000	3.44	18,200	2.34	7.7
	EN(A,D)4X36*21**	OMV112K14A	TDR&TXV	30,000	0.76	11.00	13.00				30,000	3.50	18,000	2.36	7.7
	EN(A,D)4X36*21**	*8MV*1102120**	TDR&TXV	30,000	0.76	11.50	13.50				29,200	3.46	18,000	2.34	7.7
	EN(A,D,W)4X36*17**	*8MX*0701716**	TDR&TXV	30,000	0.76	11.00	13.20				29,200	3.46	18,200	2.34	7.7
	EN(A,D,W)4X36*17**	*9MPV075	TDR&TXV	30,000	0.76	11.00	13.00				30,000	3.44	18,300	2.32	7.7
	EN(A,D,W)4X36*17**	*9MVX060	TDR&TXV	30,000	0.76	11.00	13.00				30,000	3.46	18,400	2.34	7.7
	EN(A,D,W)4X36*17**	OLV098A12A	TDR&TXV	30,000	0.76	11.00	13.00				30,000	3.44	18,100	2.34	7.7
	EN(A,D,W)4X36*17**	OMV098J12A	TDR&TXV	30,000	0.76	11.00	13.00				30,000	3.44	18,200	2.32	7.7
	EN(A,D,W)4X36*17**	OMV112K14A	TDR&TXV	30,000	0.76	11.00	13.00				30,000	3.48	18,000	2.36	7.7
	EN(A,D,W)4X36*17**	*8MV*0901716**	TDR&TXV	30,000	0.76	11.50	13.50				29,200	3.46	17,900	2.34	7.7
	ENH4X30*17**	*8MV*0701412**	TDR&TXV	30,000	0.76	11.00	13.20				29,200	3.42	18,000	2.32	7.7
	ENH4X30*17**	*8MX*0701716**	TDR&TXV	30,000	0.76	11.00	13.20				29,200	3.46	18,200	2.34	7.7
	ENH4X30*17**	*9MPV075	TDR&TXV	30,000	0.76	11.00	13.00				30,000	3.44	18,300	2.32	7.7
	ENH4X30*17**	*9MVX060	TDR&TXV	30,000	0.76	11.00	13.00				30,000	3.46	18,400	2.34	7.7
	ENH4X30*17**	OLV098A12A	TDR&TXV	30,000	0.76	11.00	13.00				30,000	3.44	18,100	2.34	7.7
	ENH4X30*17**	OLV112A16A	TDR&TXV	30,000	0.76	11.00	13.00				30,000	3.50	18,200	2.36	7.7
	ENH4X30*17**	OMV098J12A	TDR&TXV	30,000	0.76	11.00	13.00				30,000	3.44	18,200	2.32	7.7
	ENH4X30*17**	OMV112K14A	TDR&TXV	30,000	0.76	11.00	13.00				30,000	3.48	18,000	2.36	7.7
	ENH4X30*17**	*8MV*0901716**	TDR&TXV	30,000	0.76	11.50	13.50				29,200	3.46	17,900	2.34	7.7
	ENH4X30*17**	*8MV*1102120**	TDR&TXV	30,000	0.76	11.50	13.50				29,200	3.46	18,000	2.34	7.7
	ENH4X30*17**	*8MV*1352422**	TDR&TXV	30,000	0.76	11.50	13.50				29,200	3.46	17,900	2.36	7.7
	ENH4X30*17**	*8MX*0902116**	TDR&TXV	30,000	0.76	11.50	13.50				29,200	3.48	18,100	2.36	7.7
	ENH4X36*17**	*8MV*0701412**	TDR&TXV	30,000	0.76	11.00	13.20				29,200	3.42	18,000	2.32	7.7
	ENH4X36*17**	*8MX*0701716**	TDR&TXV	30,000	0.76	11.00	13.20				29,200	3.46	18,200	2.34	7.7
	ENH4X36*17**	*8MX*0902116**	TDR&TXV	30,000	0.76	11.00	13.20				29,200	3.48	18,100	2.36	7.7
	ENH4X36*17**	*9MPV075	TDR&TXV	30,000	0.76	11.00	13.00				30,000	3.44	18,300	2.32	7.7
	ENH4X36*17**	*9MPV100	TDR&TXV	30,000	0.76	11.00	13.00				30,000	3.50	18,200	2.36	7.7
	ENH4X36*17**	*9MVX060	TDR&TXV	30,000	0.76	11.00	13.00				30,000	3.46	18,400	2.34	7.7
	ENH4X36*17**	*9MVX080	TDR&TXV	30,000	0.76	11.00	13.00				30,000	3.54	18,300	2.38	7.7
	ENH4X36*17**	OLV098A12A	TDR&TXV	30,000	0.76	11.00	13.00				30,000	3.44	18,100	2.34	7.7
	ENH4X36*17**	OLV112A16A	TDR&TXV	30,000	0.76	11.00	13.00				30,000	3.50	18,200	2.36	7.7
ENH4X36*17**	OMV098J12A	TDR&TXV	30,000	0.76	11.00	13.00				30,000	3.44	18,200	2.32	7.7	
ENH4X36*17**	OMV112K14A	TDR&TXV	30,000	0.76	11.00	13.00				30,000	3.48	18,000	2.36	7.7	
ENH4X36*17**	*8MV*0901716**	TDR&TXV	30,000	0.76	11.50	13.50				29,200	3.46	17,900	2.34	7.7	
ENH4X36*17**	*8MV*1102120**	TDR&TXV	30,000	0.76	11.50	13.50				29,200	3.46	18,000	2.34	7.7	
ENH4X36*17**	*8MV*1352422**	TDR&TXV	30,000	0.76	11.50	13.50				29,200	3.46	17,900	2.36	7.7	
FEA4X30**A*	-	TDR&TXV	30,000	0.76	11.00	13.00				30,000	3.48	18,300	2.34	7.7	
FEA4X36**A*	-	TDR&TXV	30,000	0.76	11.00	13.20				30,000	3.50	18,500	2.34	7.7	
FEM4P30**A*	-	TDR	30,000	0.76	11.00	13.00				30,000	3.50	18,400	2.34	7.7	
FEM4P30**A*+TXV	-	TDR	30,000	0.76	11.00					13.20	30,000	3.50	18,400	2.34	7.7
FEM4P36**A*	-	TDR	30,000	0.76	11.00	13.00					30,000	3.50	18,400	2.34	7.7

2009 ENERGY STAR compliance for combinations with all three: SEER 14.50 or higher and EER 12.00 or higher and HSPF 8.2 or higher.
 † For coils not listed with a matching furnace or blower, coil rating applies with any indoor blower device.

- continued on next page -

COOLING & HEATING PERFORMANCE FOR COMBINATION RATINGS (continued) Indoor Models

For complete ratings information, use the AHRI website directory search: www.AHRIdirectory.org. New ratings may be listed online before Specification Sheets are updated.

Outdoor Model	Current Indoor Model (‡ tested combo)	Furnace Model	Factory Installed	Cool 95° F (35° C)			SEER			Heat 47° F (8.3° C)		Heat 17° F (-8.3° C)		HSPF
				BTU/hr	S / T	EER	factory	with field TDR	with field TXV	BTU/hr	COP	BTU/hr	COP	
N4H330AKE N4H330GKE (continued)	FEM4P36**A*+TXV	-	TDR	30,000	0.76	11.00			13.20	30,000	3.50	18,400	2.34	7.7
	FEM4X30****	-	TDR&TXV	30,000	0.76	11.00	13.20			29,600	3.54	18,300	2.36	7.7
	FEM4X36****	-	TDR&TXV	30,000	0.76	11.00	13.20			29,200	3.62	18,700	2.38	7.8
	FS(M,U)4P30**A*+TXV	-	TDR	30,000	0.76	11.00			13.20	30,000	3.50	18,600	2.34	7.7
	FVM4X24****	-	TDR&TXV	30,000	0.76	11.50	13.50			29,400	3.52	18,000	2.36	7.7
	FVM4X36****	-	TDR&TXV	30,000	0.76	11.50	13.50			29,000	3.52	17,900	2.38	7.7
	FVM4X48****	-	TDR&TXV	30,000	0.76	11.50	14.00			29,400	3.70	18,000	2.46	8.0
	FXM4X30**A*	-	TDR&TXV	30,000	0.76	11.50	14.00			29,200	3.60	18,300	2.40	7.8
FXM4X36**A*	-	TDR&TXV	30,000	0.76	12.00	14.50			29,000	3.70	18,100	2.44	8.2	
N4H336AKE N4H336GKE	‡FS(M,U)4P36**A*	-	TDR	34,000	0.78	11.00	13.00			34,000	3.62	21,600	2.52	7.8
	ED*4X36B**	*8MPV050	TDR&TXV	33,800	0.78	11.00	13.00			33,000	3.44	21,400	2.42	7.8
	ED*4X36B**	*8MX*0451408**	TDR&TXV	33,800	0.78	11.00	13.00			33,600	3.50	21,400	2.44	7.8
	ED*4X36B**	†	TXV	33,800	0.78	11.00		13.00		33,800	3.50	21,800	2.44	7.8
	ED*4X36B**	*8MV*0701412**	TDR&TXV	33,800	0.78	11.50	13.50			33,600	3.54	21,000	2.48	7.8
	ED*4X36B**	MV08B15**B*	TDR&TXV	33,800	0.78	11.50	13.50			33,000	3.64	21,000	2.54	7.8
	ED*4X36F**	*9MPV050	TDR&TXV	33,800	0.78	11.00	13.00			33,000	3.50	21,400	2.44	7.8
	ED*4X36F**	*9MPV075	TDR&TXV	33,800	0.78	11.00	13.20			33,000	3.54	21,400	2.48	7.8
	ED*4X36F**	*9MVX040	TDR&TXV	33,800	0.78	11.00	13.00			33,000	3.50	21,400	2.44	7.8
	ED*4X36F**	*9MVX060	TDR&TXV	33,800	0.78	11.00	13.20			33,000	3.56	21,400	2.48	7.8
	ED*4X36F**	OLV098A12A	TDR&TXV	34,200	0.78	11.00	13.00			33,800	3.54	21,000	2.48	7.7
	ED*4X36F**	OLV112A16A	TDR&TXV	34,600	0.78	11.00	13.00			34,000	3.62	21,200	2.52	7.7
	ED*4X36F**	OMV098J12A	TDR&TXV	34,400	0.78	11.00	13.00			34,000	3.56	21,200	2.50	7.7
	ED*4X36F**	†	TXV	33,800	0.78	11.00		13.00		33,800	3.54	22,000	2.46	7.8
	ED*4X36F**	*8MPV075	TDR&TXV	33,800	0.78	11.50	13.50			33,000	3.60	21,200	2.52	7.8
	ED*4X36F**	*8MV*0901716**	TDR&TXV	33,800	0.78	11.50	13.50			33,000	3.60	20,800	2.52	7.8
	ED*4X36F**	*8MX*0701716**	TDR&TXV	33,800	0.78	11.50	13.50			33,600	3.56	21,200	2.50	7.8
	ED*4X36F**	MV12F19**B*	TDR&TXV	33,800	0.78	11.50	14.00			33,000	3.68	20,800	2.58	7.8
	ED*4X36F**	NOMV106D12*	TDR&TXV	33,800	0.78	11.50	13.50			33,000	3.54	20,800	2.48	7.8
	ED*4X36F**	OMV112K14A	TDR&TXV	34,600	0.78	11.50	13.50			33,800	3.60	21,000	2.52	7.7
	ED*4X36J**	†	TXV	33,800	0.78	11.00		13.00		34,000	3.54	22,000	2.46	7.8
	ED*4X36J**	*8MPV100	TDR&TXV	33,800	0.78	11.50	13.50			33,000	3.72	21,400	2.58	7.8
	ED*4X36J**	*8MPV125	TDR&TXV	33,800	0.78	11.50	13.50			33,000	3.74	21,200	2.58	7.8
	ED*4X36J**	*8MV**1102120**	TDR&TXV	33,800	0.78	11.50	14.00			33,000	3.62	20,800	2.54	7.8
	ED*4X36J**	*8MX*0902116**	TDR&TXV	33,800	0.78	11.50	14.00			33,600	3.68	21,000	2.56	8.0
	ED*4X36J**	*8MX*1102120**	TDR&TXV	33,800	0.78	11.50	14.00			33,600	3.72	21,000	2.58	8.0
	ED*4X36J**	*9MPV100	TDR&TXV	33,800	0.78	11.50	13.50			33,000	3.68	21,400	2.54	7.8
	ED*4X36J**	*9MVX080	TDR&TXV	33,800	0.78	11.50	13.50			33,000	3.70	21,400	2.56	7.8
	ED*4X36J**	MV16J22**B*	TDR&TXV	33,800	0.78	11.50	14.00			33,000	3.70	20,600	2.58	7.8
	ED*4X36J**	NOMV156E19*	TDR&TXV	33,800	0.78	11.50	13.50			33,000	3.60	20,800	2.52	7.8
	ED*4X36J**	OLV112A16A	TDR&TXV	34,800	0.78	11.50	13.50			34,000	3.64	21,000	2.54	8.0
	ED*4X42F**	*9MPV050	TDR&TXV	34,000	0.78	11.00	13.00			33,000	3.54	21,600	2.46	7.8
ED*4X42F**	*9MPV075	TDR&TXV	34,000	0.78	11.00	13.20			33,000	3.58	21,400	2.50	7.8	
ED*4X42F**	*9MVX040	TDR&TXV	34,000	0.78	11.00	13.00			33,000	3.54	21,600	2.46	7.8	

2009 ENERGY STAR compliance for combinations with all three: SEER 14.50 or higher and EER 12.00 or higher and HSPF 8.2 or higher.

† For coils not listed with a matching furnace or blower, coil rating applies with any indoor blower device.

- continued on next page -

COOLING & HEATING PERFORMANCE FOR COMBINATION RATINGS (continued) Indoor Models

For complete ratings information, use the AHRI website directory search: www.AHRIdirectory.org. New ratings may be listed online before Specification Sheets are updated.

Outdoor Model	Current Indoor Model († tested combo)	Furnace Model	Factory Installed	Cool 95° F (35° C)			SEER			Heat 47 ° F (8.3° C)		Heat 17 ° F (-8.3° C)		HSPF	
				BTU/hr	S / T	EER	factory	with field TDR	with field TXV	BTU/hr	COP	BTU/hr	COP		
N4H336AKE N4H336GKE (continued)	ED*4X42F**	*9MVX060	TDR&TXV	34,000	0.78	11.00	13.20				33,000	3.62	21,400	2.50	7.8
	ED*4X42F**	OLV098A12A	TDR&TXV	34,600	0.78	11.00	13.00				34,000	3.58	21,200	2.52	7.7
	ED*4X42F**	OMV098J12A	TDR&TXV	34,600	0.78	11.00	13.00				34,000	3.60	21,200	2.52	7.7
	ED*4X42F**	†	TXV	34,000	0.78	11.00			13.00		33,800	3.58	22,000	2.48	7.8
	ED*4X42F**	*8MPV075	TDR&TXV	34,000	0.78	11.50	13.50				33,000	3.66	21,400	2.54	7.8
	ED*4X42F**	MV12F19**B*	TDR&TXV	34,000	0.78	11.50	14.00				33,000	3.74	20,800	2.60	7.8
	ED*4X42F**	OLV112A16A	TDR&TXV	35,000	0.78	11.50	13.50				34,200	3.66	21,200	2.56	8.0
	ED*4X42F**	OMV112K14A	TDR&TXV	34,800	0.78	11.50	13.50				33,800	3.64	21,000	2.54	8.0
	ED*4X42J**	†	TXV	34,000	0.78	11.00			13.00		33,800	3.58	22,000	2.48	7.8
	ED*4X42J**	*8MPV100	TDR&TXV	34,000	0.78	11.50	13.50				33,000	3.76	21,400	2.60	7.8
	ED*4X42J**	*8MPV125	TDR&TXV	34,000	0.78	11.50	14.00				33,000	3.78	21,200	2.60	7.8
	ED*4X42J**	*8MV*1102120**	TDR&TXV	34,000	0.78	11.50	14.00				33,000	3.66	20,800	2.56	8.0
	ED*4X42J**	*8MX*0902116**	TDR&TXV	34,000	0.78	11.50	14.00				33,600	3.72	21,000	2.58	8.0
	ED*4X42J**	*8MX*1102120**	TDR&TXV	34,000	0.78	11.50	14.00				33,600	3.76	21,000	2.60	8.0
	ED*4X42J**	*9MPV100	TDR&TXV	34,000	0.78	11.50	13.50				33,000	3.72	21,400	2.56	7.8
	ED*4X42J**	*9MVX080	TDR&TXV	34,000	0.78	11.50	13.50				33,000	3.74	21,600	2.58	7.8
	ED*4X42J**	MV16J22**B*	TDR&TXV	34,000	0.78	11.50	13.50				33,000	3.74	20,800	2.60	7.8
	ED*4X42J**	NOMV156E19*	TDR&TXV	34,000	0.78	11.50	13.50				33,000	3.64	20,800	2.54	7.8
	ED*4X42J**	OLV112A16A	TDR&TXV	35,000	0.78	11.50	13.50				34,000	3.68	21,200	2.56	8.0
	ED*4X42L**	†	TXV	34,000	0.78	11.00			13.00		33,000	3.58	22,000	2.48	7.8
	ED*4X42L**	*8MV*1352422**	TDR&TXV	34,000	0.78	11.50	14.00				33,000	3.68	20,800	2.56	8.0
	ED*4X42L**	*9MPV125	TDR&TXV	34,000	0.78	11.50	13.50				33,000	3.76	21,400	2.60	7.8
	ED*4X42L**	*9MVX100	TDR&TXV	34,000	0.78	11.50	13.50				33,000	3.74	21,200	2.58	7.8
	ED*4X42L**	MV20L24**B*	TDR&TXV	34,000	0.78	11.50	14.00				33,000	3.74	20,800	2.60	7.8
	ED*4X42L**	OLV112A16A	TDR&TXV	35,000	0.78	11.50	13.50				34,000	3.68	21,200	2.56	8.0
	ED*4X42L**	OLV154F20A	TDR&TXV	35,800	0.78	12.00	14.00				34,400	3.84	21,400	2.64	8.2
	EHD4X36A**	*8MPV050	TDR&TXV	33,800	0.78	11.00	13.20				33,800	3.58	21,600	2.48	7.8
	EHD4X36A**	*8MX*0451408**	TDR&TXV	33,800	0.78	11.00	14.00				33,600	3.64	21,600	2.50	7.8
	EHD4X36A**	*9MPV050	TDR&TXV	33,800	0.78	11.00	13.20				33,000	3.62	21,600	2.50	7.8
	EHD4X36A**	*9MVX040	TDR&TXV	33,800	0.78	11.00	13.20				33,000	3.60	21,600	2.50	7.8
	EHD4X36A**	†	TXV	33,800	0.78	11.00			13.00		33,800	3.66	22,200	2.50	7.8
	EHD4X36A**	*8MPV075	TDR&TXV	33,800	0.78	11.50	13.50				33,000	3.72	21,400	2.56	7.8
	EHD4X36A**	*8MPV100	TDR&TXV	33,800	0.78	11.50	14.00				33,000	3.82	21,400	2.60	8.0
EHD4X36A**	*8MPV125	TDR&TXV	33,800	0.78	11.50	14.00				33,000	3.82	21,400	2.62	8.0	
EHD4X36A**	*8MV*0701412**	TDR&TXV	33,800	0.78	11.50	13.50				33,600	3.68	21,200	2.54	8.0	
EHD4X36A**	*8MV*0901716**	TDR&TXV	33,800	0.78	11.50	14.00				33,600	3.72	21,000	2.58	8.0	
EHD4X36A**	*8MV*1102120**	TDR&TXV	33,800	0.78	11.50	14.00				33,600	3.72	21,000	2.58	8.0	
EHD4X36A**	*8MV*1352422**	TDR&TXV	33,800	0.78	11.50	14.00				33,600	3.74	21,000	2.58	8.0	
EHD4X36A**	*8MX*0701716**	TDR&TXV	33,800	0.78	11.50	13.50				33,600	3.68	21,400	2.54	8.0	
EHD4X36A**	*8MX*0902116**	TDR&TXV	33,800	0.78	11.50	14.00				33,600	3.78	21,000	2.60	8.0	
EHD4X36A**	*8MX*1102120**	TDR&TXV	33,800	0.78	11.50	14.00				33,600	3.80	21,200	2.62	8.0	
EHD4X36A**	*9MPV075	TDR&TXV	33,800	0.78	11.50	13.50				33,000	3.64	21,600	2.52	7.8	
EHD4X36A**	*9MPV100	TDR&TXV	33,800	0.78	11.50	13.50				33,000	3.76	21,600	2.58	7.8	

2009 ENERGY STAR compliance for combinations with all three: SEER 14.50 or higher and EER 12.00 or higher and HSPF 8.2 or higher.
 † For coils not listed with a matching furnace or blower, coil rating applies with any indoor blower device.

COOLING & HEATING PERFORMANCE FOR COMBINATION RATINGS (continued) Indoor Models

For complete ratings information, use the AHRI website directory search: www.AHRIdirectory.org. New ratings may be listed online before Specification Sheets are updated.

Outdoor Model	Current Indoor Model (‡ tested combo)	Furnace Model	Factory Installed	Cool 95° F (35° C)			SEER			Heat 47 ° F (8.3° C)		Heat 17 ° F (-8.3° C)		HSPF	
				BTU/hr	S / T	EER	factory	with field TDR	with field TXV	BTU/hr	COP	BTU/hr	COP		
N4H336AKE N4H336GKE (continued)	EHD4X36A**	*9MPV125	TDR&TXV	33,800	0.78	11.50	13.50				33,000	3.80	21,400	2.60	7.8
	EHD4X36A**	*9MVX060	TDR&TXV	33,800	0.78	11.50	13.50				33,000	3.68	21,600	2.54	7.8
	EHD4X36A**	*9MVX080	TDR&TXV	33,800	0.78	11.50	13.50				33,000	3.80	21,600	2.60	7.8
	EHD4X36A**	*9MVX100	TDR&TXV	33,800	0.78	11.50	13.50				33,000	3.76	21,400	2.58	7.8
	EHD4X36A**	MV08B15**B*	TDR&TXV	33,800	0.78	11.50	14.00				33,000	3.78	21,000	2.60	7.8
	EHD4X36A**	NOMV106D12*	TDR&TXV	34,000	0.78	11.50	13.50				33,000	3.66	21,000	2.54	7.8
	EHD4X36A**	NOMV156E19*	TDR&TXV	34,000	0.78	11.50	14.00				33,000	3.70	21,000	2.56	7.8
	EHD4X36A**	OLV098A12A	TDR&TXV	35,000	0.78	11.50	13.50				34,200	3.66	21,200	2.54	8.0
	EHD4X36A**	OLV112A16A	TDR&TXV	35,400	0.78	11.50	13.50				34,400	3.74	21,400	2.58	8.0
	EHD4X36A**	OMV098J12A	TDR&TXV	35,200	0.78	11.50	13.50				34,200	3.66	21,400	2.54	8.0
	EHD4X36A**	OMV112K14A	TDR&TXV	35,200	0.78	11.50	13.50				34,200	3.72	21,200	2.58	8.0
	EHD4X36A**	MV12F19**B*	TDR&TXV	33,800	0.78	12.00	14.50				33,000	3.80	21,000	2.62	8.2
	EHD4X36A**	MV16J22**B*	TDR&TXV	33,800	0.78	12.00	14.50				33,000	3.82	21,000	2.62	8.2
	EHD4X36A**	MV20L24**B*	TDR&TXV	33,800	0.78	12.00	14.50				33,000	3.80	21,000	2.62	8.2
	EHD4X36A**	OLV154F20A	TDR&TXV	36,000	0.78	12.00	14.00				34,600	3.90	21,600	2.66	8.5
	EHD4X42A**	*8MPV050	TDR&TXV	34,000	0.78	11.00	13.20				33,000	3.64	21,600	2.50	7.8
	EHD4X42A**	*8MX*0451408**	TDR&TXV	34,000	0.78	11.00	13.20				33,600	3.70	21,600	2.52	8.0
	EHD4X42A**	*9MPV050	TDR&TXV	34,000	0.78	11.00	13.20				33,000	3.68	21,800	2.52	7.8
	EHD4X42A**	*9MVX040	TDR&TXV	34,000	0.78	11.00	13.20				33,000	3.66	21,800	2.52	7.8
	EHD4X42A**	†	TXV	34,000	0.78	11.00			13.00		33,000	3.70	22,200	2.52	7.8
	EHD4X42A**	*8MPV075	TDR&TXV	34,000	0.78	11.50	13.50				33,000	3.80	21,600	2.58	7.8
	EHD4X42A**	*8MPV100	TDR&TXV	34,000	0.78	11.50	14.00				33,000	3.90	21,600	2.64	8.0
	EHD4X42A**	*8MPV125	TDR&TXV	34,000	0.78	11.50	14.00				33,000	3.90	21,400	2.64	8.0
	EHD4X42A**	*8MV*0701412**	TDR&TXV	34,000	0.78	11.50	13.50				33,600	3.72	21,200	2.56	8.0
	EHD4X42A**	*8MV*0901716**	TDR&TXV	34,000	0.78	11.50	14.00				33,600	3.76	21,000	2.60	8.0
	EHD4X42A**	*8MV*1102120**	TDR&TXV	34,000	0.78	11.50	14.00				33,600	3.76	21,000	2.60	8.0
	EHD4X42A**	*8MV*1352422**	TDR&TXV	34,000	0.78	11.50	14.00				33,600	3.78	21,000	2.60	8.0
	EHD4X42A**	*8MX*0701716**	TDR&TXV	34,000	0.78	11.50	13.50				33,600	3.74	21,400	2.56	8.0
	EHD4X42A**	*8MX*0902116**	TDR&TXV	34,000	0.78	11.50	14.00				33,600	3.84	21,200	2.62	8.0
	EHD4X42A**	*9MPV075	TDR&TXV	34,000	0.78	11.50	13.50				33,000	3.70	21,600	2.54	7.8
	EHD4X42A**	*9MPV100	TDR&TXV	34,000	0.78	11.50	13.50				33,000	3.84	21,600	2.60	8.0
	EHD4X42A**	*9MPV125	TDR&TXV	34,000	0.78	11.50	14.00				33,000	3.88	21,400	2.62	8.0
	EHD4X42A**	*9MVX060	TDR&TXV	34,000	0.78	11.50	13.50				33,000	3.76	21,600	2.56	7.8
	EHD4X42A**	*9MVX080	TDR&TXV	34,000	0.78	11.50	13.50				33,000	3.86	21,600	2.62	8.0
	EHD4X42A**	*9MVX100	TDR&TXV	34,000	0.78	11.50	14.00				33,000	3.84	21,400	2.62	8.0
	EHD4X42A**	MV08B15**B*	TDR&TXV	34,000	0.78	11.50	14.00				33,000	3.82	21,000	2.62	7.8
	EHD4X42A**	NOMV106D12*	TDR&TXV	34,000	0.78	11.50	14.00				33,000	3.70	21,000	2.56	7.8
	EHD4X42A**	NOMV156E19*	TDR&TXV	34,000	0.78	11.50	14.00				33,000	3.74	21,000	2.58	7.8
	EHD4X42A**	OLV098A12A	TDR&TXV	35,200	0.78	11.50	13.50				34,200	3.70	21,200	2.56	8.0
	EHD4X42A**	OLV112A16A	TDR&TXV	35,600	0.78	11.50	13.50				34,400	3.80	21,400	2.60	8.2
EHD4X42A**	OMV098J12A	TDR&TXV	35,400	0.78	11.50	13.50				34,400	3.72	21,400	2.56	8.0	
EHD4X42A**	*8MX*1102120**	TDR&TXV	34,000	0.78	12.00	14.50				33,600	3.88	21,200	2.64	8.2	
EHD4X42A**	MV12F19**B*	TDR&TXV	34,000	0.78	12.00	14.50				33,000	3.86	21,000	2.64	8.2	

2009 ENERGY STAR compliance for combinations with all three: SEER 14.50 or higher and EER 12.00 or higher and HSPF 8.2 or higher.

† For coils not listed with a matching furnace or blower, coil rating applies with any indoor blower device.

COOLING & HEATING PERFORMANCE FOR COMBINATION RATINGS (continued) Indoor Models

For complete ratings information, use the AHRI website directory search: www.AHRIdirectory.org. New ratings may be listed online before Specification Sheets are updated.

Outdoor Model	Current Indoor Model (‡ tested combo)	Furnace Model	Factory Installed	Cool 95° F (35° C)			SEER			Heat 47 ° F (8.3° C)		Heat 17 ° F (-8.3° C)		HSPF		
				BTU/hr	S / T	EER	factory	with field TDR	with field TXV	BTU/hr	COP	BTU/hr	COP			
N4H336AKE N4H336GKE (continued)	EHD4X42A**	MV16J22**B*	TDR&TXV	34,000	0.78	12.00	14.50				33,000	3.86	21,000	2.64	8.2	
	EHD4X42A**	MV20L24**B*	TDR&TXV	34,000	0.78	12.00	14.50				33,000	3.86	21,000	2.64	8.2	
	EHD4X42A**	OLV154F20A	TDR&TXV	36,000	0.78	12.00	14.00				34,600	3.96	21,600	2.68	8.5	
	EHD4X42A**	OMV112K14A	TDR&TXV	35,400	0.78	12.00	14.00				34,200	3.76	21,200	2.60	8.2	
	EMA4X36D**	†	TXV	33,800	0.78	11.00			13.00			33,800	3.52	22,000	2.46	7.8
	EN(A,D)4X36*21**	*9MPV050	TDR&TXV	34,200	0.78	11.00	13.00					34,200	3.50	21,400	2.46	7.7
	EN(A,D)4X36*21**	*9MPV075	TDR&TXV	34,200	0.78	11.00	13.00					34,000	3.52	21,200	2.48	7.7
	EN(A,D)4X36*21**	*9MVX040	TDR&TXV	34,200	0.78	11.00	13.00					34,200	3.50	21,400	2.46	7.7
	EN(A,D)4X36*21**	*9MVX060	TDR&TXV	34,400	0.78	11.00	13.00					34,200	3.56	21,400	2.50	7.7
	EN(A,D)4X36*21**	OLV098A12A	TDR&TXV	34,200	0.78	11.00	13.00					33,800	3.52	21,200	2.48	7.7
	EN(A,D)4X36*21**	OLV112A16A	TDR&TXV	34,600	0.78	11.00	13.00					34,000	3.58	21,200	2.52	7.7
	EN(A,D)4X36*21**	OMV098J12A	TDR&TXV	34,200	0.78	11.00	13.00					34,000	3.52	21,200	2.48	7.7
	EN(A,D)4X36*21**	†	TXV	33,800	0.78	11.00			13.00			33,800	3.52	22,000	2.46	7.8
	EN(A,D)4X36*21**	*8MV*1102120**	TDR&TXV	33,800	0.78	11.50	13.50					33,000	3.58	20,800	2.52	7.8
	EN(A,D)4X36*21**	*8MX*0902116**	TDR&TXV	33,800	0.78	11.50	13.50					33,000	3.62	21,000	2.54	7.8
	EN(A,D)4X36*21**	*8MX*1102120**	TDR&TXV	33,800	0.78	11.50	13.50					33,000	3.64	21,000	2.54	7.8
	EN(A,D)4X36*21**	*9MPV100	TDR&TXV	34,800	0.78	11.50	13.50					34,000	3.64	21,200	2.54	8.0
	EN(A,D)4X36*21**	*9MVX080	TDR&TXV	35,000	0.78	11.50	13.50					34,200	3.66	21,400	2.54	8.0
	EN(A,D)4X36*21**	NOMV156E19*	TDR&TXV	33,800	0.78	11.50	13.50					33,000	3.56	20,800	2.50	7.8
	EN(A,D)4X36*21**	OMV112K14A	TDR&TXV	34,400	0.78	11.50	13.50					33,800	3.58	21,000	2.52	7.7
	EN(A,D)4X37*17**	*9MPV050	TDR&TXV	35,600	0.78	11.00	13.00					34,800	3.78	21,800	2.56	8.2
	EN(A,D)4X37*17**	*9MVX040	TDR&TXV	35,600	0.78	11.00	13.00					34,800	3.78	21,800	2.56	8.2
	EN(A,D)4X37*17**	†	TXV	34,200	0.78	11.00			13.00			33,800	3.76	22,400	2.54	8.0
	EN(A,D)4X37*17**	*8MV*0901716**	TDR&TXV	34,200	0.78	11.50	14.00					33,600	3.86	21,200	2.62	8.0
	EN(A,D)4X37*17**	*8MX*0701716**	TDR&TXV	34,200	0.78	11.50	13.50					33,600	3.82	21,600	2.58	8.0
	EN(A,D)4X37*17**	*9MPV075	TDR&TXV	35,800	0.78	11.50	13.50					34,600	3.82	21,600	2.58	8.2
	EN(A,D)4X37*17**	*9MVX060	TDR&TXV	36,000	0.78	11.50	13.50					34,600	3.86	21,600	2.60	8.2
	EN(A,D)4X37*17**	NOMV106D12*	TDR&TXV	34,000	0.78	11.50	14.00					33,000	3.80	21,200	2.58	8.0
	EN(A,D)4X37*17**	OLV098A12A	TDR&TXV	35,600	0.78	11.50	13.50					34,400	3.80	21,400	2.58	8.2
	EN(A,D)4X37*17**	OMV098J12A	TDR&TXV	35,600	0.78	11.50	13.50					34,600	3.82	21,400	2.58	8.2
	EN(A,D)4X37*17**	OMV112K14A	TDR&TXV	35,800	0.78	12.00	14.00					34,400	3.88	21,200	2.62	8.2
	EN(A,D)4X43*24**	†	TXV	34,200	0.78	11.00			13.00			33,800	3.76	22,400	2.54	8.0
EN(A,D)4X43*24**	*8MV*1352422**	TDR&TXV	34,200	0.78	11.50	14.00					33,600	3.92	21,000	2.66	8.0	
EN(A,D)4X43*24**	*9MPV100	TDR&TXV	36,000	0.78	12.00	14.00					34,400	3.98	21,600	2.68	8.5	
EN(A,D)4X43*24**	*9MPV125	TDR&TXV	36,000	0.78	12.00	14.00					34,400	4.02	21,600	2.70	8.5	
EN(A,D)4X43*24**	*9MVX080	TDR&TXV	36,000	0.78	12.00	14.00					34,400	3.98	21,600	2.68	8.5	
EN(A,D)4X43*24**	*9MVX100	TDR&TXV	36,000	0.78	12.00	14.00					34,400	4.00	21,400	2.70	8.5	
EN(A,D)4X43*24**	OLV112A16A	TDR&TXV	36,000	0.78	12.00	14.00					34,400	3.92	21,400	2.66	8.5	
EN(A,D)4X43*24**	OLV154F20A	TDR&TXV	36,000	0.78	12.00	14.00					34,200	4.04	21,600	2.72	8.5	
EN(A,D,W)4X36*17**	*9MPV050	TDR&TXV	34,200	0.78	11.00	13.00					34,200	3.50	21,400	2.46	7.7	
EN(A,D,W)4X36*17**	*9MPV075	TDR&TXV	34,200	0.78	11.00	13.00					34,000	3.52	21,200	2.48	7.7	
EN(A,D,W)4X36*17**	*9MVX040	TDR&TXV	34,200	0.78	11.00	13.00					34,200	3.48	21,400	2.46	7.7	
EN(A,D,W)4X36*17**	*9MVX060	TDR&TXV	34,400	0.78	11.00	13.00					34,200	3.56	21,400	2.50	7.7	

2009 ENERGY STAR compliance for combinations with all three: SEER 14.50 or higher and EER 12.00 or higher and HSPF 8.2 or higher.
 † For coils not listed with a matching furnace or blower, coil rating applies with any indoor blower device.

COOLING & HEATING PERFORMANCE FOR COMBINATION RATINGS (continued) Indoor Models

For complete ratings information, use the AHRI website directory search: www.AHRIdirectory.org. New ratings may be listed online before Specification Sheets are updated.

Outdoor Model	Current Indoor Model (‡ tested combo)	Furnace Model	Factory Installed	Cool 95° F (35° C)			SEER			Heat 47 ° F (8.3° C)		Heat 17 ° F (-8.3° C)		HSPF	
				BTU/hr	S / T	EER	factory	with field TDR	with field TXV	BTU/hr	COP	BTU/hr	COP		
N4H336AKE N4H336GKE (continued)	EN(A,D,W)4X36*17**	OLV098A12A	TDR&TXV	34,200	0.78	11.00	13.00				33,800	3.52	21,200	2.48	7.7
	EN(A,D,W)4X36*17**	OMV098J12A	TDR&TXV	34,200	0.78	11.00	13.00				34,000	3.52	21,200	2.48	7.7
	EN(A,D,W)4X36*17**	†	TXV	33,800	0.78	11.00			13.00		33,800	3.52	22,000	2.46	7.8
	EN(A,D,W)4X36*17**	*8MV*0901716**	TDR&TXV	33,800	0.78	11.50	13.50				33,000	3.58	20,800	2.52	7.8
	EN(A,D,W)4X36*17**	*8MX*0701716**	TDR&TXV	33,800	0.78	11.50	13.50				33,600	3.52	21,200	2.48	7.8
	EN(A,D,W)4X36*17**	NOMV106D12*	TDR&TXV	33,800	0.78	11.50	13.50				33,000	3.50	21,000	2.48	7.7
	EN(A,D,W)4X36*17**	OMV112K14A	TDR&TXV	34,400	0.78	11.50	13.50				33,800	3.58	21,000	2.52	7.7
	EN(A,D,W)4X42*21**	*9MPV050	TDR&TXV	34,600	0.78	11.00	13.00				34,400	3.58	21,400	2.48	7.7
	EN(A,D,W)4X42*21**	*9MPV075	TDR&TXV	34,800	0.78	11.00	13.00				34,200	3.60	21,400	2.52	7.7
	EN(A,D,W)4X42*21**	*9MVX040	TDR&TXV	34,600	0.78	11.00	13.00				34,400	3.56	21,400	2.48	7.7
	EN(A,D,W)4X42*21**	*9MVX060	TDR&TXV	34,800	0.78	11.00	13.00				34,400	3.64	21,400	2.52	8.0
	EN(A,D,W)4X42*21**	OLV098A12A	TDR&TXV	34,600	0.78	11.00	13.00				34,000	3.58	21,200	2.50	7.7
	EN(A,D,W)4X42*21**	OMV098J12A	TDR&TXV	34,600	0.78	11.00	13.00				34,200	3.60	21,200	2.52	7.7
	EN(A,D,W)4X42*21**	†	TXV	34,000	0.78	11.00			13.00		33,800	3.58	22,000	2.48	7.8
	EN(A,D,W)4X42*21**	*8MV*1102120**	TDR&TXV	34,000	0.78	11.50	13.50				33,600	3.66	21,000	2.56	8.0
	EN(A,D,W)4X42*21**	*8MX*0902116**	TDR&TXV	34,000	0.78	11.50	14.00				33,600	3.70	21,000	2.56	8.0
	EN(A,D,W)4X42*21**	*8MX*1102120**	TDR&TXV	34,000	0.78	11.50	14.00				33,600	3.72	21,000	2.58	8.0
	EN(A,D,W)4X42*21**	*9MPV100	TDR&TXV	35,200	0.78	11.50	13.50				34,200	3.72	21,400	2.58	8.0
	EN(A,D,W)4X42*21**	*9MVX080	TDR&TXV	35,400	0.78	11.50	13.50				34,400	3.74	21,400	2.58	8.0
	EN(A,D,W)4X42*21**	NOMV156E19*	TDR&TXV	34,000	0.78	11.50	13.50				33,000	3.62	21,000	2.54	7.8
	EN(A,D,W)4X42*21**	OLV112A16A	TDR&TXV	35,000	0.78	11.50	13.50				34,200	3.66	21,200	2.54	8.0
	EN(A,D,W)4X42*21**	OMV112K14A	TDR&TXV	34,800	0.78	11.50	13.50				34,000	3.66	21,000	2.54	8.0
	END4X42*17**	*9MPV050	TDR&TXV	34,800	0.78	11.00	13.00				34,600	3.62	21,600	2.50	8.0
	END4X42*17**	*9MPV075	TDR&TXV	35,000	0.78	11.00	13.00				34,400	3.66	21,400	2.54	8.0
	END4X42*17**	*9MVX040	TDR&TXV	34,800	0.78	11.00	13.00				34,400	3.62	21,600	2.50	7.7
	END4X42*17**	*9MVX060	TDR&TXV	35,200	0.78	11.00	13.00				34,400	3.70	21,400	2.54	8.0
	END4X42*17**	OLV098A12A	TDR&TXV	34,800	0.78	11.00	13.00				34,200	3.64	21,200	2.54	8.0
	END4X42*17**	OMV098J12A	TDR&TXV	35,000	0.78	11.00	13.00				34,200	3.66	21,400	2.54	8.0
	END4X42*17**	†	TXV	34,000	0.78	11.00			13.00		33,800	3.64	22,200	2.50	7.8
	END4X42*17**	*8MV*0901716**	TDR&TXV	34,000	0.78	11.50	14.00				33,600	3.70	21,000	2.56	8.0
END4X42*17**	*8MX*0701716**	TDR&TXV	34,000	0.78	11.50	13.50				33,600	3.66	21,400	2.54	8.0	
END4X42*17**	NOMV106D12*	TDR&TXV	34,000	0.78	11.50	13.50				33,000	3.64	21,000	2.54	7.8	
END4X42*17**	OMV112K14A	TDR&TXV	35,200	0.78	11.50	13.50				34,000	3.70	21,200	2.56	8.0	
ENH4X36*17**	*8MX*0451408**	TDR&TXV	33,800	0.78	11.00	13.00				33,600	3.50	21,400	2.44	7.8	
ENH4X36*17**	*9MPV050	TDR&TXV	34,200	0.78	11.00	13.00				34,200	3.50	21,400	2.46	7.7	
ENH4X36*17**	*9MPV075	TDR&TXV	34,200	0.78	11.00	13.00				34,000	3.52	21,200	2.48	7.7	
ENH4X36*17**	*9MVX040	TDR&TXV	34,200	0.78	11.00	13.00				34,200	3.48	21,400	2.46	7.7	
ENH4X36*17**	*9MVX060	TDR&TXV	34,400	0.78	11.00	13.00				34,200	3.56	21,400	2.50	7.7	
ENH4X36*17**	OLV098A12A	TDR&TXV	34,200	0.78	11.00	13.00				33,800	3.52	21,200	2.48	7.7	
ENH4X36*17**	OLV112A16A	TDR&TXV	34,600	0.78	11.00	13.00				34,000	3.58	21,200	2.50	7.7	
ENH4X36*17**	OMV098J12A	TDR&TXV	34,200	0.78	11.00	13.00				34,000	3.52	21,200	2.48	7.7	
ENH4X36*17**	†	TXV	33,800	0.78	11.00			13.00		33,800	3.52	22,000	2.46	7.8	
ENH4X36*17**	*8MV*0701412**	TDR&TXV	33,800	0.78	11.50	13.50				33,000	3.54	21,000	2.48	7.8	

2009 ENERGY STAR compliance for combinations with all three: SEER 14.50 or higher and EER 12.00 or higher and HSPF 8.2 or higher.

† For coils not listed with a matching furnace or blower, coil rating applies with any indoor blower device.

- continued on next page -

COOLING & HEATING PERFORMANCE FOR COMBINATION RATINGS (continued) Indoor Models

For complete ratings information, use the AHRI website directory search: www.AHRIdirectory.org. New ratings may be listed online before Specification Sheets are updated.

Outdoor Model	Current Indoor Model (‡ tested combo)	Furnace Model	Factory Installed	Cool 95° F (35° C)			SEER			Heat 47 ° F (8.3° C)		Heat 17 ° F (-8.3° C)		HSPF	
				BTU/hr	S / T	EER	factory	with field TDR	with field TXV	BTU/hr	COP	BTU/hr	COP		
N4H336AKE N4H336GKE (continued)	ENH4X36*17**	*8MV*0901716**	TDR&TXV	33,800	0.78	11.50	13.50				33,000	3.58	20,800	2.52	7.8
	ENH4X36*17**	*8MV*1102120**	TDR&TXV	33,800	0.78	11.50	13.50				33,000	3.58	20,800	2.52	7.8
	ENH4X36*17**	*8MV*1352422**	TDR&TXV	33,800	0.78	11.50	13.50				33,000	3.58	20,800	2.52	7.8
	ENH4X36*17**	*8MX*0701716**	TDR&TXV	33,800	0.78	11.50	14.00				33,600	3.52	21,200	2.48	7.8
	ENH4X36*17**	*8MX*0902116**	TDR&TXV	33,800	0.78	11.50	13.50				33,000	3.60	20,800	2.52	7.8
	ENH4X36*17**	*8MX*1102120**	TDR&TXV	33,800	0.78	11.50	13.50				33,000	3.64	21,000	2.54	7.8
	ENH4X36*17**	NOMV156E19*	TDR&TXV	33,800	0.78	11.50	13.50				33,000	3.56	20,800	2.50	7.8
	ENH4X36*17**	OLV154F20A	TDR&TXV	35,200	0.78	11.50	13.50				34,400	3.72	21,400	2.58	8.0
	ENH4X36*17**	OMV112K14A	TDR&TXV	34,400	0.78	11.50	13.50				33,800	3.58	21,000	2.52	7.7
	ENH4X42*21**	*8MX*0451408**	TDR&TXV	34,000	0.78	11.00	13.20				33,000	3.58	21,600	2.48	7.8
	ENH4X42*21**	*9MPV050	TDR&TXV	34,600	0.78	11.00	13.00				34,400	3.58	21,400	2.48	7.7
	ENH4X42*21**	*9MPV075	TDR&TXV	34,800	0.78	11.00	13.00				34,200	3.60	21,400	2.52	7.7
	ENH4X42*21**	*9MVX040	TDR&TXV	34,600	0.78	11.00	13.00				34,400	3.56	21,400	2.48	7.7
	ENH4X42*21**	*9MVX060	TDR&TXV	34,800	0.78	11.00	13.00				34,400	3.64	21,400	2.52	8.0
	ENH4X42*21**	OLV098A12A	TDR&TXV	34,600	0.78	11.00	13.00				34,000	3.58	21,200	2.50	7.7
	ENH4X42*21**	OMV098J12A	TDR&TXV	34,600	0.78	11.00	13.00				34,200	3.60	21,200	2.52	7.7
	ENH4X42*21**	†	TXV	34,000	0.78	11.00			13.00		33,800	3.58	22,000	2.48	7.8
	ENH4X42*21**	*8MV*0701412**	TDR&TXV	34,000	0.78	11.50	13.50				33,000	3.62	21,000	2.52	7.8
	ENH4X42*21**	*8MV*0901716**	TDR&TXV	34,000	0.78	11.50	14.00				33,000	3.66	21,000	2.54	7.8
	ENH4X42*21**	*8MV*1102120**	TDR&TXV	34,000	0.78	11.50	14.00				33,000	3.66	21,000	2.56	7.8
	ENH4X42*21**	*8MV*1352422**	TDR&TXV	34,000	0.78	11.50	14.00				33,000	3.66	20,800	2.56	7.8
	ENH4X42*21**	*8MX*0701716**	TDR&TXV	34,000	0.78	11.50	13.50				33,000	3.62	21,200	2.52	7.8
	ENH4X42*21**	*8MX*0902116**	TDR&TXV	34,000	0.78	11.50	14.00				33,000	3.70	21,000	2.56	8.0
	ENH4X42*21**	*8MX*1102120**	TDR&TXV	34,000	0.78	11.50	14.00				33,000	3.72	21,000	2.58	8.0
	ENH4X42*21**	*9MPV100	TDR&TXV	35,200	0.78	11.50	13.50				34,200	3.72	21,400	2.58	8.0
	ENH4X42*21**	*9MVX080	TDR&TXV	35,400	0.78	11.50	13.50				34,400	3.74	21,400	2.58	8.0
	ENH4X42*21**	NOMV106D12*	TDR&TXV	33,800	0.78	11.50	13.50				33,000	3.58	21,000	2.52	7.8
	ENH4X42*21**	NOMV156E19*	TDR&TXV	34,000	0.78	11.50	13.50				33,000	3.62	21,000	2.54	7.8
	ENH4X42*21**	OLV112A16A	TDR&TXV	35,000	0.78	11.50	13.50				34,200	3.66	21,200	2.54	8.0
	ENH4X42*21**	OLV154F20A	TDR&TXV	35,800	0.78	11.50	13.50				34,400	3.82	21,400	2.62	8.2
	ENH4X42*21**	OMV112K14A	TDR&TXV	34,800	0.78	11.50	13.50				34,000	3.66	21,000	2.54	8.0
	ENH4X43*21**	*9MPV050	TDR&TXV	35,600	0.78	11.00	13.00				34,800	3.80	21,800	2.58	8.2
	ENH4X43*21**	*9MVX040	TDR&TXV	35,600	0.78	11.00	13.00				34,800	3.78	21,800	2.56	8.2
	ENH4X43*21**	†	TXV	34,200	0.78	11.00			13.00		33,800	3.76	22,400	2.54	8.0
	ENH4X43*21**	*8MV*0701412**	TDR&TXV	34,200	0.78	11.50	14.00				33,600	3.84	21,200	2.60	8.0
	ENH4X43*21**	*8MX*0451408**	TDR&TXV	34,200	0.78	11.50					33,600	3.80	21,800	2.56	8.0
	ENH4X43*21**	*8MX*0701716**	TDR&TXV	34,200	0.78	11.50	14.00				33,600	3.84	21,600	2.60	8.2
	ENH4X43*21**	*9MPV075	TDR&TXV	35,800	0.78	11.50	13.50				34,600	3.84	21,600	2.60	8.2
	ENH4X43*21**	*9MVX060	TDR&TXV	36,000	0.78	11.50	13.50				34,600	3.88	21,600	2.62	8.2
	ENH4X43*21**	NOMV106D12*	TDR&TXV	34,000	0.78	11.50	14.00				33,000	3.82	21,000	2.60	8.0
ENH4X43*21**	NOMV156E19*	TDR&TXV	34,000	0.78	11.50	14.00				33,000	3.86	21,200	2.62	8.0	
ENH4X43*21**	OLV098A12A	TDR&TXV	35,600	0.78	11.50	13.50				34,400	3.82	21,400	2.60	8.2	
ENH4X43*21**	OMV098J12A	TDR&TXV	35,600	0.78	11.50	13.50				34,400	3.84	21,400	2.60	8.2	

2009 ENERGY STAR compliance for combinations with all three: SEER 14.50 or higher and EER 12.00 or higher and HSPF 8.2 or higher.
 † For coils not listed with a matching furnace or blower, coil rating applies with any indoor blower device.

COOLING & HEATING PERFORMANCE FOR COMBINATION RATINGS (continued) Indoor Models

For complete ratings information, use the AHRI website directory search: www.AHRIdirectory.org. New ratings may be listed online before Specification Sheets are updated.

Outdoor Model	Current Indoor Model (‡ tested combo)	Furnace Model	Factory Installed	Cool 95° F (35° C)			SEER			Heat 47 ° F (8.3° C)		Heat 17 ° F (-8.3° C)		HSPF	
				BTU/hr	S / T	EER	factory	with field TDR	with field TXV	BTU/hr	COP	BTU/hr	COP		
N4H336AKE N4H336GKE (continued)	ENH4X43*21**	*8MV*0901716**	TDR&TXV	34,200	0.78	12.00	14.50				33,600	3.88	21,000	2.62	8.2
	ENH4X43*21**	*8MV*1102120**	TDR&TXV	34,200	0.78	12.00	14.50				33,600	3.90	21,200	2.64	8.2
	ENH4X43*21**	*8MV*1352422**	TDR&TXV	34,200	0.78	12.00	14.50				33,600	3.90	21,000	2.64	8.2
	ENH4X43*21**	*8MX*0902116**	TDR&TXV	34,200	0.78	12.00	14.50				33,600	3.94	21,200	2.66	8.2
	ENH4X43*21**	*8MX*1102120**	TDR&TXV	34,200	0.78	12.00	14.50				33,600	3.98	21,400	2.68	8.2
	ENH4X43*21**	*9MPV100	TDR&TXV	36,000	0.78	12.00	14.00				34,400	3.96	21,600	2.68	8.5
	ENH4X43*21**	*9MPV125	TDR&TXV	36,000	0.78	12.00	14.00				34,400	4.00	21,400	2.70	8.5
	ENH4X43*21**	*9MVX080	TDR&TXV	36,000	0.78	12.00	14.00				34,400	3.96	21,600	2.68	8.5
	ENH4X43*21**	*9MVX100	TDR&TXV	36,000	0.78	12.00	14.00				34,400	3.98	21,400	2.68	8.5
	ENH4X43*21**	OLV112A16A	TDR&TXV	36,000	0.78	12.00	14.00				34,400	3.90	21,400	2.64	8.5
	ENH4X43*21**	OLV154F20A	TDR&TXV	36,000	0.78	12.00	14.00				34,200	4.04	21,600	2.72	8.5
	ENH4X43*21**	OMV112K14A	TDR&TXV	35,800	0.78	12.00	14.00				34,200	3.88	21,200	2.64	8.2
	FEA4X36**A*	-	TDR&TXV	34,000	0.78	11.00	13.00				34,000	3.54	21,800	2.46	7.8
	FEM4P36**A*	-	TDR	34,000	0.78	11.00	13.00				34,000	3.60	21,400	2.48	8.0
	FEM4P36**A*+TXV	-	TDR	34,000	0.78	11.00				13.20	34,000	3.60	21,400	2.48	8.0
	FEM4P42**A*	-	TDR	34,000	0.78	11.00	13.20				34,000	3.82	21,400	2.60	8.0
	FEM4P42**A*+TXV	-	TDR	34,000	0.78	11.50				14.00	34,000	3.84	21,400	2.60	8.0
	FEM4X36****	-	TDR&TXV	34,000	0.78	11.50	13.50				33,600	3.78	21,600	2.58	8.0
	FEM4X42****	-	TDR&TXV	34,000	0.78	11.50	13.50				34,000	3.76	21,600	2.56	8.0
	FS(M,U)4P36**A*+TXV	-	TDR	34,000	0.78	11.00				13.20	34,000	3.60	21,600	2.50	7.8
	FS(M,U)4P42**A*	-	TDR	34,000	0.78	11.00	13.00				34,000	3.72	21,800	2.54	7.8
	FS(M,U)4P42**A*+TXV	-	TDR	34,000	0.78	11.00				13.50	33,600	3.72	21,800	2.54	8.0
	FS(M,U)4X42****	-	TDR&TXV	34,000	0.78	11.00	13.00				34,000	3.62	22,200	2.48	7.8
	FSM4X36****	-	TDR&TXV	34,000	0.78	11.00	13.00				34,000	3.64	22,200	2.48	7.8
	FVM4X24****	-	TDR&TXV	34,000	0.78	11.50	13.50				33,000	3.64	21,000	2.52	7.8
	FVM4X36****	-	TDR&TXV	34,000	0.78	11.50	14.00				33,000	3.66	20,800	2.56	8.0
	FVM4X48****	-	TDR&TXV	34,200	0.78	12.00	14.50				33,000	3.88	21,000	2.66	8.2
	FXM4X36**A*	-	TDR&TXV	34,000	0.78	12.00	14.50				34,000	3.86	21,400	2.62	8.2
	FXM4X42**A*	-	TDR&TXV	34,000	0.78	12.00	14.50				34,000	3.86	21,400	2.62	8.2
	N4H342AKE N4H342GKE	‡FS(M,U)4P42**A*	-	TDR	41,000	0.76	11.00	13.00				40,500	3.68	24,000	2.42
ED*4X42F**		*8MPV075	TDR&TXV	40,000	0.76	11.00	13.20				39,000	3.56	23,600	2.38	7.7
ED*4X42F**		†	TXV	40,000	0.76	11.00			13.00		40,500	3.54	24,200	2.36	7.7
ED*4X42F**		MV12F19**B*	TDR&TXV	40,000	0.76	11.50	14.00				39,000	3.66	23,000	2.44	7.7
ED*4X42J**		†	TXV	40,000	0.76	11.00			13.00		40,000	3.54	24,200	2.36	7.7
ED*4X42J**		*8MPV100	TDR&TXV	40,000	0.76	11.50	14.00				39,000	3.66	23,400	2.44	7.7
ED*4X42J**		*8MPV125	TDR&TXV	40,000	0.76	11.50	14.00				39,000	3.68	23,200	2.44	7.7
ED*4X42J**		*8MV*1102120**	TDR&TXV	40,000	0.76	11.50	13.50				39,000	3.60	23,000	2.42	7.7
ED*4X42J**		*8MX*0902116**	TDR&TXV	40,000	0.76	11.50	14.00				39,000	3.62	23,000	2.42	7.7
ED*4X42J**		*8MX*1102120**	TDR&TXV	40,000	0.76	11.50	14.00				39,000	3.64	23,000	2.44	7.8
ED*4X42J**		*9MPV100	TDR&TXV	40,000	0.76	11.50	13.50				39,000	3.62	23,600	2.42	7.7
ED*4X42J**		*9MVX080	TDR&TXV	40,000	0.76	11.50	13.50				40,000	3.64	23,600	2.42	7.7
ED*4X42J**		MV16J22**B*	TDR&TXV	40,000	0.76	11.50	14.00				39,000	3.68	22,800	2.46	7.8
ED*4X42J**		NOMV156E19*	TDR&TXV	39,500	0.76	11.50	13.50				39,000	3.58	23,000	2.40	7.7

2009 ENERGY STAR compliance for combinations with all three: SEER 14.50 or higher and EER 12.00 or higher and HSPF 8.2 or higher.

† For coils not listed with a matching furnace or blower, coil rating applies with any indoor blower device.

- continued on next page -

COOLING & HEATING PERFORMANCE FOR COMBINATION RATINGS (continued) Indoor Models

For complete ratings information, use the AHRI website directory search: www.AHRIdirectory.org. New ratings may be listed online before Specification Sheets are updated.

Outdoor Model	Current Indoor Model (‡ tested combo)	Furnace Model	Factory Installed	Cool 95° F (35° C)			SEER			Heat 47 ° F (8.3° C)		Heat 17 ° F (-8.3° C)		HSPF	
				BTU/hr	S / T	EER	factory	with field TDR	with field TXV	BTU/hr	COP	BTU/hr	COP		
N4H342AKE N4H342GKE (continued)	ED*4X42L**	OLV112A16A	TDR&TXV	40,500	0.76	11.00	13.00				40,000	3.58	23,600	2.38	7.7
	ED*4X42L**	†	TXV	40,000	0.76	11.00			13.00		40,000	3.54	24,200	2.36	7.7
	ED*4X42L**	*8MV*1352422**	TDR&TXV	40,000	0.76	11.50	14.00				39,000	3.64	22,800	2.44	7.8
	ED*4X42L**	*8MX*1352420**	TDR&TXV	40,000	0.76	11.50	14.00				39,000	3.64	23,200	2.44	7.8
	ED*4X42L**	*9MPV125	TDR&TXV	40,000	0.76	11.50	13.50				39,000	3.64	23,400	2.44	7.7
	ED*4X42L**	*9MPV100	TDR&TXV	40,000	0.76	11.50	13.50				39,000	3.62	23,200	2.42	7.7
	ED*4X42L**	MV20L24**B*	TDR&TXV	40,000	0.76	11.50	14.00				39,000	3.70	22,800	2.48	7.8
	ED*4X42L**	OLV154F20A	TDR&TXV	41,000	0.76	11.50	13.50				40,000	3.70	23,800	2.46	7.7
	ED*4X48F**	*9MPV075	TDR&TXV	40,000	0.76	11.00	13.20				40,000	3.62	24,000	2.38	7.7
	ED*4X48F**	*9MPV060	TDR&TXV	41,000	0.76	11.00	13.50				40,000	3.66	24,000	2.40	7.7
	ED*4X48F**	†	TXV	41,000	0.76	11.00			13.00		40,000	3.70	24,600	2.42	7.8
	ED*4X48F**	*8MPV075	TDR&TXV	41,000	0.76	11.50	13.50				40,000	3.72	23,800	2.44	7.8
	ED*4X48F**	*8MV*0901716**	TDR&TXV	41,000	0.76	11.50	14.00				39,000	3.74	23,400	2.46	7.8
	ED*4X48F**	*8MX*0701716**	TDR&TXV	41,000	0.76	11.50	13.50				40,000	3.66	24,000	2.40	7.8
	ED*4X48F**	OLV112A16A	TDR&TXV	41,500	0.76	11.50	13.50				40,500	3.70	24,000	2.42	7.7
	ED*4X48F**	OMV112K14A	TDR&TXV	41,000	0.76	11.50	13.50				40,000	3.68	23,600	2.44	7.7
	ED*4X48F**	MV12F19**B*	TDR&TXV	41,000	0.76	12.00	14.50				39,000	3.82	23,200	2.52	8.2
	ED*4X48J**	†	TXV	41,000	0.76	11.00			13.00		40,000	3.66	24,400	2.40	7.7
	ED*4X48J**	*8MPV100	TDR&TXV	41,000	0.76	11.50	14.00				40,000	3.76	23,600	2.48	7.8
	ED*4X48J**	*8MPV125	TDR&TXV	41,000	0.76	11.50	14.00				40,000	3.78	23,400	2.48	7.8
	ED*4X48J**	*8MV*1102120**	TDR&TXV	40,000	0.76	11.50	14.00				39,000	3.70	23,200	2.46	7.8
	ED*4X48J**	*8MX*0902116**	TDR&TXV	41,000	0.76	11.50	14.00				39,000	3.72	23,200	2.46	7.8
	ED*4X48J**	*8MX*1102120**	TDR&TXV	41,000	0.76	11.50	14.00				39,000	3.74	23,200	2.48	7.8
	ED*4X48J**	*9MPV100	TDR&TXV	41,000	0.76	11.50	13.50				40,000	3.72	23,600	2.46	7.8
	ED*4X48J**	*9MPV080	TDR&TXV	41,000	0.76	11.50	13.50				40,000	3.72	23,800	2.46	7.8
	ED*4X48J**	MV16J22**B*	TDR&TXV	41,000	0.76	11.50	14.00				39,000	3.80	23,000	2.52	7.8
	ED*4X48J**	NOMV156E19*	TDR&TXV	40,000	0.76	11.50	14.00				39,000	3.68	23,200	2.44	7.7
	ED*4X48J**	OLV112A16A	TDR&TXV	41,000	0.76	11.50	13.50				40,000	3.66	23,800	2.42	7.7
	ED*4X48L**	†	TXV	41,000	0.76	11.00			13.00		40,000	3.66	24,400	2.40	7.7
	ED*4X48L**	*8MV*1352422**	TDR&TXV	41,000	0.76	11.50	14.00				39,000	3.74	23,000	2.48	7.8
	ED*4X48L**	*8MX*1352420**	TDR&TXV	41,000	0.76	11.50	14.00				39,000	3.76	23,200	2.48	7.8
	ED*4X48L**	*9MPV125	TDR&TXV	41,000	0.76	11.50	14.00				40,000	3.76	23,600	2.48	7.8
ED*4X48L**	*9MPV100	TDR&TXV	41,000	0.76	11.50	14.00				40,000	3.74	23,400	2.46	7.8	
ED*4X48L**	MV20L24**B*	TDR&TXV	41,000	0.76	11.50	14.00				39,000	3.80	23,000	2.52	7.8	
ED*4X48L**	OLV112A16A	TDR&TXV	41,000	0.76	11.50	13.50				40,000	3.68	23,800	2.42	7.7	
ED*4X48L**	OLV154F20A	TDR&TXV	42,000	0.76	11.50	14.00				40,500	3.82	24,000	2.50	7.7	
EHD4X42A**	*8MV*0701412**	TDR&TXV	40,000	0.76	11.00	13.50				39,000	3.64	23,400	2.42	7.8	
EHD4X42A**	*8MX*0701716**	TDR&TXV	40,000	0.76	11.00	13.50				39,000	3.64	24,000	2.40	7.8	
EHD4X42A**	*9MPV075	TDR&TXV	40,000	0.76	11.00	13.20				40,000	3.60	24,000	2.38	7.7	
EHD4X42A**	*9MPV060	TDR&TXV	40,000	0.76	11.00	13.50				40,000	3.64	24,000	2.40	7.7	
EHD4X42A**	†	TXV	40,000	0.76	11.00			13.00		40,000	3.66	24,400	2.40	7.7	
EHD4X42A**	*8MPV075	TDR&TXV	40,000	0.76	11.50	13.50				40,000	3.68	23,800	2.44	7.8	
EHD4X42A**	*8MPV100	TDR&TXV	40,000	0.76	11.50	14.00				40,000	3.76	23,600	2.48	7.8	

2009 ENERGY STAR compliance for combinations with all three: SEER 14.50 or higher and EER 12.00 or higher and HSPF 8.2 or higher.

† For coils not listed with a matching furnace or blower, coil rating applies with any indoor blower device.

- continued on next page -

COOLING & HEATING PERFORMANCE FOR COMBINATION RATINGS (continued) Indoor Models

For complete ratings information, use the AHRI website directory search: www.AHRIdirectory.org. New ratings may be listed online before Specification Sheets are updated.

Outdoor Model	Current Indoor Model (‡ tested combo)	Furnace Model	Factory Installed	Cool 95° F (35° C)			SEER			Heat 47 ° F (8.3° C)		Heat 17 ° F (-8.3° C)		HSPF	
				BTU/hr	S / T	EER	factory	with field TDR	with field TXV	BTU/hr	COP	BTU/hr	COP		
N4H342AKE N4H342GKE (continued)	EHD4X42A**	*8MPV125	TDR&TXV	40,000	0.76	11.50	14.00				40,000	3.78	23,400	2.50	7.8
	EHD4X42A**	*8MV*0901716**	TDR&TXV	40,000	0.76	11.50	14.00				39,000	3.70	23,200	2.46	7.8
	EHD4X42A**	*8MV*1102120**	TDR&TXV	40,000	0.76	11.50	14.00				39,000	3.72	23,200	2.46	7.8
	EHD4X42A**	*8MV*1352422**	TDR&TXV	40,000	0.76	11.50	14.00				39,000	3.74	23,200	2.48	7.8
	EHD4X42A**	*8MX*0902116**	TDR&TXV	40,000	0.76	11.50	14.00				39,000	3.74	23,200	2.48	7.8
	EHD4X42A**	*8MX*1102120**	TDR&TXV	40,000	0.76	11.50	14.00				39,000	3.76	23,200	2.48	7.8
	EHD4X42A**	*8MX*1352420**	TDR&TXV	40,000	0.76	11.50	14.00				39,000	3.74	23,200	2.48	7.8
	EHD4X42A**	*9MPV100	TDR&TXV	40,000	0.76	11.50	14.00				40,000	3.72	23,800	2.46	7.8
	EHD4X42A**	*9MPV125	TDR&TXV	40,000	0.76	11.50	14.00				40,000	3.74	23,600	2.48	7.8
	EHD4X42A**	*9MVX080	TDR&TXV	40,000	0.76	11.50	14.00				40,000	3.74	23,800	2.46	7.8
	EHD4X42A**	*9MVX100	TDR&TXV	40,000	0.76	11.50	14.00				40,000	3.72	23,400	2.46	7.8
	EHD4X42A**	MV12F19**B*	TDR&TXV	40,000	0.76	11.50	14.00				39,000	3.78	23,200	2.50	7.8
	EHD4X42A**	MV16J22**B*	TDR&TXV	40,000	0.76	11.50	14.00				39,000	3.80	23,200	2.52	7.8
	EHD4X42A**	MV20L24**B*	TDR&TXV	40,000	0.76	11.50	14.00				39,000	3.80	23,200	2.52	7.8
	EHD4X42A**	NOMV156E19*	TDR&TXV	40,000	0.76	11.50	14.00				39,000	3.68	23,200	2.44	7.8
	EHD4X42A**	OLV112A16A	TDR&TXV	41,500	0.76	11.50	13.50				40,500	3.66	24,000	2.42	7.7
	EHD4X42A**	OLV154F20A	TDR&TXV	42,000	0.76	11.50	14.00				41,000	3.80	24,000	2.50	7.7
	EHD4X42A**	OMV112K14A	TDR&TXV	41,000	0.76	11.50	13.50				40,000	3.66	23,600	2.42	7.7
	EHD4X48A**	*9MPV075	TDR&TXV	41,000	0.76	11.00	13.50				40,000	3.62	24,000	2.40	7.7
	EHD4X48A**	†	TXV	41,000	0.76	11.00			13.00		40,000	3.68	24,400	2.42	7.8
	EHD4X48A**	*8MPV075	TDR&TXV	41,000	0.76	11.50	14.00				40,000	3.72	23,800	2.44	7.8
	EHD4X48A**	*8MPV100	TDR&TXV	41,000	0.76	11.50	14.00				40,000	3.80	23,600	2.50	7.8
	EHD4X48A**	*8MPV125	TDR&TXV	41,000	0.76	11.50	14.00				40,000	3.80	23,600	2.50	7.8
	EHD4X48A**	*8MV*0701412**	TDR&TXV	41,000	0.76	11.50	13.50				39,000	3.66	23,600	2.42	7.8
	EHD4X48A**	*8MV*0901716**	TDR&TXV	41,000	0.76	11.50	14.00				39,000	3.72	23,400	2.46	7.8
	EHD4X48A**	*8MV*1102120**	TDR&TXV	41,000	0.76	11.50	14.00				39,000	3.74	23,400	2.48	7.8
	EHD4X48A**	*8MV*1352422**	TDR&TXV	41,000	0.76	11.50	14.00				39,000	3.78	23,200	2.50	7.8
	EHD4X48A**	*8MX*0701716**	TDR&TXV	41,000	0.76	11.50	13.50				40,000	3.66	24,000	2.42	7.8
	EHD4X48A**	*8MX*0902116**	TDR&TXV	41,000	0.76	11.50	14.00				39,000	3.76	23,400	2.48	7.8
	EHD4X48A**	*8MX*1102120**	TDR&TXV	41,000	0.76	11.50	14.00				39,000	3.78	23,200	2.50	7.8
	EHD4X48A**	*8MX*1352420**	TDR&TXV	41,000	0.76	11.50	14.00				39,000	3.76	23,400	2.48	7.8
	EHD4X48A**	*9MPV100	TDR&TXV	41,000	0.76	11.50	14.00				40,000	3.76	23,800	2.46	7.8
	EHD4X48A**	*9MPV125	TDR&TXV	41,000	0.76	11.50	14.00				40,000	3.76	23,600	2.48	7.8
	EHD4X48A**	*9MVX060	TDR&TXV	41,000	0.76	11.50	13.50				40,000	3.66	24,000	2.42	7.7
	EHD4X48A**	*9MVX080	TDR&TXV	41,000	0.76	11.50	14.00				40,000	3.76	23,800	2.48	7.8
	EHD4X48A**	*9MVX100	TDR&TXV	41,000	0.76	11.50	14.00				40,000	3.76	23,600	2.48	7.8
	EHD4X48A**	NOMV156E19*	TDR&TXV	40,000	0.76	11.50	14.00				39,000	3.70	23,200	2.46	7.8
	EHD4X48A**	OLV112A16A	TDR&TXV	41,500	0.76	11.50	13.50				40,500	3.70	24,000	2.44	7.7
	EHD4X48A**	OLV154F20A	TDR&TXV	42,000	0.76	11.50	14.00				40,500	3.84	24,000	2.50	8.0
	EHD4X48A**	OMV112K14A	TDR&TXV	41,500	0.76	11.50	13.50				40,000	3.68	23,600	2.44	7.7
EHD4X48A**	MV12F19**B*	TDR&TXV	41,000	0.76	12.00	14.50				39,000	3.82	23,200	2.52	8.2	
EHD4X48A**	MV16J22**B*	TDR&TXV	41,000	0.76	12.00	14.50				39,000	3.84	23,200	2.54	8.2	
EHD4X48A**	MV20L24**B*	TDR&TXV	41,000	0.76	12.00	14.50				39,000	3.84	23,200	2.54	8.2	

2009 ENERGY STAR compliance for combinations with all three: SEER 14.50 or higher and EER 12.00 or higher and HSPF 8.2 or higher.

† For coils not listed with a matching furnace or blower, coil rating applies with any indoor blower device.

- continued on next page -

COOLING & HEATING PERFORMANCE FOR COMBINATION RATINGS (continued) Indoor Models

For complete ratings information, use the AHRI website directory search: www.AHRIdirectory.org. New ratings may be listed online before Specification Sheets are updated.

Outdoor Model	Current Indoor Model († tested combo)	Furnace Model	Factory Installed	Cool 95° F (35° C)			SEER			Heat 47 ° F (8.3° C)		Heat 17 ° F (-8.3° C)		HSPF
				BTU/hr	S / T	EER	factory	with field TDR	with field TXV	BTU/hr	COP	BTU/hr	COP	
N4H342AKE N4H342GKE (continued)	EMA4X48D**	†	TXV	41,000	0.76	11.00		13.00		40,000	3.60	24,400	2.38	7.7
	EN(A,D)4X43*24**	†	TXV	41,000	0.76	11.00		13.00		40,000	3.74	24,600	2.42	7.8
	EN(A,D)4X43*24**	*9MPV100	TDR&TXV	42,000	0.76	11.50	13.50			40,500	3.84	23,800	2.52	8.0
	EN(A,D)4X43*24**	OLV112A16A	TDR&TXV	42,000	0.76	11.50	13.50			40,500	3.76	24,000	2.46	7.7
	EN(A,D)4X43*24**	*8MV*1352422**	TDR&TXV	41,000	0.76	12.00	14.50			39,000	3.84	23,200	2.54	8.2
	EN(A,D)4X43*24**	*8MV*1352420**	TDR&TXV	41,000	0.76	12.00	14.50			39,500	3.86	23,400	2.54	8.2
	EN(A,D)4X43*24**	*9MPV125	TDR&TXV	42,000	0.76	12.00	14.00			40,000	3.86	23,600	2.52	8.0
	EN(A,D)4X43*24**	*9MVX080	TDR&TXV	42,000	0.76	12.00	14.00			40,500	3.84	24,000	2.52	8.0
	EN(A,D)4X43*24**	*9MVX100	TDR&TXV	42,000	0.76	12.00	14.00			40,000	3.84	23,600	2.52	8.0
	EN(A,D)4X43*24**	OLV154F20A	TDR&TXV	42,000	0.76	12.00	14.00			40,500	3.92	24,000	2.54	8.0
	EN(A,D)4X48*24**	†	TXV	41,000	0.76	11.00		13.00		40,000	3.66	24,400	2.40	7.8
	EN(A,D)4X48*24**	*8MV*1352422**	TDR&TXV	41,000	0.76	11.50	14.00			39,000	3.76	23,000	2.48	7.8
	EN(A,D)4X48*24**	*8MX*1352420**	TDR&TXV	41,000	0.76	11.50	14.00			39,000	3.76	23,200	2.48	7.8
	EN(A,D)4X48*24**	*9MPV100	TDR&TXV	41,500	0.76	11.50	14.00			40,000	3.74	23,800	2.46	7.7
	EN(A,D)4X48*24**	*9MVX080	TDR&TXV	41,500	0.76	11.50	14.00			40,000	3.76	23,800	2.48	7.7
	EN(A,D)4X48*24**	*9MVX100	TDR&TXV	41,500	0.76	11.50	14.00			40,000	3.74	23,400	2.48	7.7
	EN(A,D)4X48*24**	OLV112A16A	TDR&TXV	41,000	0.76	11.50	13.50			40,000	3.68	23,800	2.42	7.7
	EN(A,D)4X48*24**	OLV154F20A	TDR&TXV	42,000	0.76	11.50	14.00			40,500	3.82	24,000	2.50	8.0
	EN(A,D)4X48*24**	*9MPV125	TDR&TXV	41,500	0.76	12.00	14.00			40,000	3.76	23,600	2.48	7.7
	EN(A,D,W)4X42*21**	*8MV*1102120**	TDR&TXV	40,000	0.76	11.00	13.50			39,000	3.60	23,200	2.40	7.7
	EN(A,D,W)4X42*21**	†	TXV	40,000	0.76	11.00		13.00		40,000	3.56	24,200	2.36	7.7
	EN(A,D,W)4X42*21**	*8MX*0902116**	TDR&TXV	40,000	0.76	11.50	13.50			39,000	3.60	23,000	2.42	7.7
	EN(A,D,W)4X42*21**	*8MX*1102120**	TDR&TXV	40,000	0.76	11.50	14.00			39,000	3.62	23,000	2.42	7.7
	EN(A,D,W)4X42*21**	*9MPV100	TDR&TXV	40,500	0.76	11.50	13.50			39,500	3.60	23,400	2.40	7.7
	EN(A,D,W)4X42*21**	*9MVX080	TDR&TXV	40,500	0.76	11.50	13.50			40,000	3.62	23,600	2.40	7.7
	EN(A,D,W)4X42*21**	NOMV156E19*	TDR&TXV	39,500	0.76	11.50	13.50			39,000	3.56	23,000	2.40	7.7
	EN(A,D,W)4X48*21**	*9MPV075	TDR&TXV	41,000	0.76	11.00	13.00			40,500	3.62	24,000	2.38	7.7
	EN(A,D,W)4X48*21**	*9MVX060	TDR&TXV	41,000	0.76	11.00	13.00			40,500	3.64	24,000	2.40	7.7
	EN(A,D,W)4X48*21**	†	TXV	41,000	0.76	11.00		13.00		40,000	3.66	24,400	2.40	7.8
	EN(A,D,W)4X48*21**	*8MV*1102120**	TDR&TXV	41,000	0.76	11.50	14.00			39,000	3.72	23,200	2.48	7.8
EN(A,D,W)4X48*21**	*8MX*0902116**	TDR&TXV	41,000	0.76	11.50	14.00			39,000	3.74	23,200	2.48	7.8	
EN(A,D,W)4X48*21**	*8MX*1102120**	TDR&TXV	41,000	0.76	11.50	14.00			39,000	3.78	23,200	2.50	7.8	
EN(A,D,W)4X48*21**	*9MPV100	TDR&TXV	41,500	0.76	11.50	14.00			40,000	3.74	23,800	2.46	7.7	
EN(A,D,W)4X48*21**	*9MVX080	TDR&TXV	41,500	0.76	11.50	14.00			40,000	3.76	23,800	2.48	7.7	
EN(A,D,W)4X48*21**	NOMV156E19*	TDR&TXV	40,000	0.76	11.50	14.00			39,000	3.70	23,200	2.46	7.8	
EN(A,D,W)4X48*21**	OLV112A16A	TDR&TXV	41,000	0.76	11.50	13.50			40,000	3.68	23,800	2.42	7.7	
EN(A,D,W)4X48*21**	OMV112K14A	TDR&TXV	41,000	0.76	11.50	13.50			40,000	3.66	23,400	2.44	7.7	
END4X42*17**	*8MX*0701716**	TDR&TXV	40,000	0.76	11.00	13.20			39,000	3.56	23,800	2.36	7.7	
END4X42*17**	†	TXV	40,000	0.76	11.00		13.00		40,000	3.60	24,400	2.38	7.8	
END4X42*17**	*8MV*0901716**	TDR&TXV	40,000	0.76	11.50	13.50			39,000	3.64	23,200	2.42	7.8	
END4X42*17**	OMV112K14A	TDR&TXV	40,500	0.76	11.50	13.00			40,000	3.58	23,600	2.38	7.7	
ENH4X42*21**	*8MV*0701412**	TDR&TXV	40,000	0.76	11.00	13.50			39,000	3.52	23,400	2.36	7.7	
ENH4X42*21**	*8MX*0701716**	TDR&TXV	40,000	0.76	11.00	13.20			39,000	3.52	23,800	2.34	7.7	

2009 ENERGY STAR compliance for combinations with all three: SEER 14.50 or higher and EER 12.00 or higher and HSPF 8.2 or higher.
 † For coils not listed with a matching furnace or blower, coil rating applies with any indoor blower device.

COOLING & HEATING PERFORMANCE FOR COMBINATION RATINGS (continued) Indoor Models

For complete ratings information, use the AHRI website directory search: www.AHRIdirectory.org. New ratings may be listed online before Specification Sheets are updated.

Outdoor Model	Current Indoor Model (‡ tested combo)	Furnace Model	Factory Installed	Cool 95° F (35° C)			SEER			Heat 47 ° F (8.3° C)		Heat 17 ° F (-8.3° C)		HSPF	
				BTU/hr	S / T	EER	factory	with field TDR	with field TXV	BTU/hr	COP	BTU/hr	COP		
N4H342AKE N4H342GKE (continued)	ENH4X42*21**	*9MPV100	TDR&TXV	40,500	0.76	11.00	13.50				39,500	3.60	23,400	2.40	7.7
	ENH4X42*21**	†	TXV	40,000	0.76	11.00		13.00			39,000	3.56	24,200	2.36	7.7
	ENH4X42*21**	*8MV*0901716**	TDR&TXV	40,000	0.76	11.50	13.50				39,000	3.58	23,000	2.40	7.7
	ENH4X42*21**	*8MV*1102120**	TDR&TXV	40,000	0.76	11.50	13.50				39,000	3.60	23,200	2.40	7.7
	ENH4X42*21**	*8MV*1352422**	TDR&TXV	40,000	0.76	11.50	14.00				39,000	3.62	23,000	2.42	7.7
	ENH4X42*21**	*8MX*0902116**	TDR&TXV	40,000	0.76	11.50	13.50				39,000	3.60	23,000	2.42	7.7
	ENH4X42*21**	*8MX*1102120**	TDR&TXV	40,000	0.76	11.50	13.50				39,000	3.62	23,000	2.42	7.7
	ENH4X42*21**	*8MX*1352420**	TDR&TXV	40,000	0.76	11.50	13.50				39,000	3.60	23,000	2.42	7.7
	ENH4X42*21**	*9MVX080	TDR&TXV	40,500	0.76	11.50	13.50				40,000	3.62	23,600	2.40	7.7
	ENH4X42*21**	NOMV156E19*	TDR&TXV	39,500	0.76	11.50	13.50				39,000	3.56	23,000	2.40	7.7
	ENH4X42*21**	OLV154F20A	TDR&TXV	41,500	0.76	11.50	13.50				40,000	3.68	23,800	2.44	7.7
	ENH4X43*21**	*8MX*0701716**	TDR&TXV	41,000	0.76	11.00	13.50				39,500	3.72	24,000	2.44	7.8
	ENH4X43*21**	†	TXV	41,000	0.76	11.00		13.00			39,000	3.74	24,600	2.42	7.8
	ENH4X43*21**	*8MV*0701412**	TDR&TXV	41,000	0.76	11.50	14.00				39,000	3.72	23,600	2.46	7.8
	ENH4X43*21**	*8MV*0901716**	TDR&TXV	41,000	0.76	11.50	14.00				39,000	3.78	23,400	2.50	7.8
	ENH4X43*21**	*8MV*1102120**	TDR&TXV	41,000	0.76	11.50	14.00				39,000	3.80	23,400	2.50	8.0
	ENH4X43*21**	*8MX*0902116**	TDR&TXV	41,000	0.76	11.50	14.00				39,500	3.82	23,400	2.52	7.8
	ENH4X43*21**	*9MPV075	TDR&TXV	41,500	0.76	11.50	13.50				40,500	3.68	24,200	2.42	7.7
	ENH4X43*21**	*9MVX060	TDR&TXV	41,500	0.76	11.50	13.50				40,500	3.72	24,200	2.44	7.7
	ENH4X43*21**	NOMV156E19*	TDR&TXV	40,000	0.76	11.50	14.00				39,000	3.76	23,200	2.48	7.7
	ENH4X43*21**	OLV112A16A	TDR&TXV	42,000	0.76	11.50	13.50				40,500	3.76	24,000	2.46	7.7
	ENH4X43*21**	OMV112K14A	TDR&TXV	41,500	0.76	11.50	14.00				40,000	3.74	23,600	2.46	7.7
	ENH4X43*21**	*8MV*1352422**	TDR&TXV	41,000	0.76	12.00	14.50				39,000	3.84	23,200	2.52	8.2
	ENH4X43*21**	*8MX*1102120**	TDR&TXV	41,000	0.76	12.00	14.50				39,500	3.84	23,400	2.52	8.2
	ENH4X43*21**	*8MX*1352420**	TDR&TXV	41,000	0.76	12.00	14.50				39,500	3.84	23,400	2.52	8.2
	ENH4X43*21**	*9MPV100	TDR&TXV	42,000	0.76	12.00	14.00				40,500	3.82	23,800	2.50	7.7
	ENH4X43*21**	*9MVX080	TDR&TXV	42,000	0.76	12.00	14.00				40,500	3.82	24,000	2.50	8.0
	ENH4X43*21**	OLV154F20A	TDR&TXV	42,000	0.76	12.00	14.00				40,500	3.90	24,200	2.54	8.0
	ENH4X48*21**	*8MX*0701716**	TDR&TXV	41,000	0.76	11.00	13.50				39,000	3.64	24,000	2.40	7.8
	ENH4X48*21**	*9MPV075	TDR&TXV	41,000	0.76	11.00	13.00				40,500	3.62	24,000	2.38	7.7
	ENH4X48*21**	*9MVX060	TDR&TXV	41,000	0.76	11.00	13.50				40,500	3.64	24,000	2.40	7.7
	ENH4X48*21**	†	TXV	41,000	0.76	11.00		13.00			40,000	3.66	24,400	2.40	7.8
	ENH4X48*21**	*8MV*0701412**	TDR&TXV	40,000	0.76	11.50	13.50				39,000	3.64	23,400	2.42	7.8
	ENH4X48*21**	*8MV*0901716**	TDR&TXV	41,000	0.76	11.50	14.00				39,000	3.70	23,200	2.46	7.8
	ENH4X48*21**	*8MV*1102120**	TDR&TXV	41,000	0.76	11.50	14.00				39,000	3.72	23,200	2.48	7.8
	ENH4X48*21**	*8MV*1352422**	TDR&TXV	41,000	0.76	11.50	14.00				39,000	3.76	23,000	2.48	7.8
	ENH4X48*21**	*8MX*0902116**	TDR&TXV	41,000	0.76	11.50	14.00				39,000	3.74	23,200	2.48	7.8
	ENH4X48*21**	*8MX*1102120**	TDR&TXV	41,000	0.76	11.50	14.00				39,000	3.78	23,200	2.50	7.8
	ENH4X48*21**	*8MX*1352420**	TDR&TXV	41,000	0.76	11.50	14.00				39,000	3.76	23,200	2.48	7.8
	ENH4X48*21**	*9MPV100	TDR&TXV	41,500	0.76	11.50	14.00				40,000	3.74	23,800	2.46	7.7
ENH4X48*21**	*9MVX080	TDR&TXV	41,500	0.76	11.50	14.00				40,000	3.76	23,800	2.48	7.7	
ENH4X48*21**	*9MVX100	TDR&TXV	41,500	0.76	11.50	14.00				40,000	3.74	23,400	2.48	7.7	
ENH4X48*21**	NOMV156E19*	TDR&TXV	40,000	0.76	11.50	14.00				39,000	3.70	23,200	2.46	7.8	

2009 ENERGY STAR compliance for combinations with all three: SEER 14.50 or higher and EER 12.00 or higher and HSPF 8.2 or higher.

† For coils not listed with a matching furnace or blower, coil rating applies with any indoor blower device.

- continued on next page -

COOLING & HEATING PERFORMANCE FOR COMBINATION RATINGS (continued) Indoor Models

For complete ratings information, use the AHRI website directory search: www.AHRIdirectory.org. New ratings may be listed online before Specification Sheets are updated.

Outdoor Model	Current Indoor Model (‡ tested combo)	Furnace Model	Factory Installed	Cool 95° F (35° C)			SEER			Heat 47 ° F (8.3° C)		Heat 17 ° F (-8.3° C)		HSPF	
				BTU/hr	S / T	EER	factory	with field TDR	with field TXV	BTU/hr	COP	BTU/hr	COP		
N4H342AKE N4H342GKE (continued)	ENH4X48*21**	OLV112A16A	TDR&TXV	41,000	0.76	11.50	13.50				40,000	3.68	23,800	2.42	7.7
	ENH4X48*21**	OLV154F20A	TDR&TXV	42,000	0.76	11.50	14.00				40,500	3.82	24,000	2.50	8.0
	ENH4X48*21**	OMV112K14A	TDR&TXV	41,000	0.76	11.50	13.50				40,000	3.66	23,400	2.44	7.7
	ENH4X48*21**	*9MPV125	TDR&TXV	41,500	0.76	12.00	14.00				40,000	3.76	23,600	2.48	7.7
	FEM4P42**A*	-	TDR	41,000	0.76	11.00	13.00				40,000	3.72	23,800	2.46	8.0
	FEM4P42**A*+TXV	-	TDR	41,000	0.76	11.50				13.50	40,000	3.72	23,800	2.46	8.0
	FEM4P48**A*	-	TDR	41,000	0.76	11.00	13.20				40,000	3.74	23,600	2.46	8.0
	FEM4P48**A*+TXV	-	TDR	41,000	0.76	11.50				14.00	39,500	3.74	23,600	2.48	8.0
	FEM4X42****	-	TDR&TXV	41,000	0.76	11.50	13.50				39,500	3.70	23,800	2.44	7.8
	FEM4X48****	-	TDR&TXV	41,000	0.76	12.00	14.50				40,000	3.84	23,800	2.52	8.2
	FS(M,U)4P42**A*+TXV	-	TDR	41,000	0.76	11.00				13.50	40,500	3.66	24,000	2.42	7.8
	FS(M,U)4P48**A*	-	TDR	41,000	0.76	11.00	13.20				40,000	3.74	24,200	2.46	7.8
	FS(M,U)4P48**A*+TXV	-	TDR	41,000	0.76	11.00				13.50	40,000	3.74	24,200	2.46	7.8
	FS(M,U)4X42****	-	TDR&TXV	40,000	0.76	11.00	13.00				40,000	3.56	24,400	2.34	7.7
	FS(M,U)4X48****	-	TDR&TXV	41,000	0.76	11.00	13.20				40,000	3.64	24,600	2.40	7.7
	FVM4X36****	-	TDR&TXV	40,000	0.76	11.50	14.00				39,000	3.62	22,800	2.40	7.7
	FVM4X48****	-	TDR&TXV	41,000	0.76	12.00	14.50				39,000	3.82	23,200	2.52	8.2
	FXM4X42**A*	-	TDR&TXV	41,000	0.76	11.50	14.00				40,000	3.74	23,600	2.46	8.0
	FXM4X48**A*	-	TDR&TXV	41,000	0.76	12.00	14.50				40,000	3.88	23,600	2.54	8.2
	N4H348AKE N4H348GKE	‡FS(M,U)4P48**A*	-	TDR	47,000	0.76	11.00	13.00				47,500	3.74	30,000	2.62
ED*4X48F**		*8MV*0901716**	TDR&TXV	46,000	0.76	11.50	13.50				46,000	3.68	29,400	2.58	7.7
ED*4X48F**		†	TXV	46,000	0.76	11.00			13.00		47,500	3.64	29,800	2.54	7.7
ED*4X48J**		*8MPV100	TDR&TXV	46,000	0.76	11.50	13.50				46,000	3.70	29,600	2.58	7.7
ED*4X48J**		*8MPV125	TDR&TXV	46,000	0.76	11.50	13.50				46,000	3.72	29,400	2.60	7.7
ED*4X48J**		*8MV*1102120**	TDR&TXV	46,000	0.76	11.50	13.50				46,000	3.66	29,200	2.58	7.7
ED*4X48J**		*8MX*0902116**	TDR&TXV	46,000	0.76	11.50	13.50				46,000	3.68	29,200	2.58	7.7
ED*4X48J**		*8MX*1102120**	TDR&TXV	46,000	0.76	11.50	13.50				46,000	3.70	29,000	2.60	7.7
ED*4X48J**		*9MPV100	TDR&TXV	46,000	0.76	11.00	13.20				46,000	3.64	29,600	2.56	7.7
ED*4X48J**		*9MVX080	TDR&TXV	46,000	0.76	11.00	13.20				46,000	3.66	29,800	2.56	7.7
ED*4X48J**		MV16J22**B*	TDR&TXV	46,000	0.76	11.50	14.00				46,000	3.76	29,000	2.64	7.7
ED*4X48J**		NOMV156E19*	TDR&TXV	46,000	0.76	11.50	13.20				46,000	3.64	29,200	2.56	7.8
ED*4X48J**		†	TXV	46,000	0.76	11.00			13.00		47,500	3.66	30,200	2.54	7.7
ED*4X48L**		*8MV*1352422**	TDR&TXV	46,000	0.76	11.50	13.50				46,000	3.70	29,000	2.60	7.7
ED*4X48L**		*8MX*1352420**	TDR&TXV	46,000	0.76	11.50	13.50				46,000	3.70	29,200	2.60	7.7
ED*4X48L**		*9MPV125	TDR&TXV	46,000	0.76	11.50	13.50				46,000	3.68	29,600	2.58	7.7
ED*4X48L**		*9MVX100	TDR&TXV	46,000	0.76	11.50	13.50				46,000	3.68	29,400	2.58	7.7
ED*4X48L**		MV20L24**B*	TDR&TXV	46,000	0.76	11.50	14.00				46,000	3.78	28,800	2.66	7.8
ED*4X48L**		OLV154F20A	TDR&TXV	47,000	0.76	11.50	13.00				47,500	3.74	30,200	2.60	7.7
ED*4X48L**		†	TXV	46,000	0.76	11.00			13.00		47,500	3.66	30,200	2.54	7.7
ED*4X60J**	*8MPV100	TDR&TXV	47,000	0.76	11.50	13.50				46,000	3.76	29,800	2.64	7.8	
ED*4X60J**	*8MPV125	TDR&TXV	47,000	0.76	11.50	13.50				46,000	3.78	29,600	2.64	7.8	
ED*4X60J**	*8MV*1102120**	TDR&TXV	47,000	0.76	11.50	13.50				46,000	3.72	29,200	2.62	7.8	
ED*4X60J**	*8MX*0902116**	TDR&TXV	47,000	0.76	11.50	14.00				46,000	3.74	29,400	2.62	7.8	

2009 ENERGY STAR compliance for combinations with all three: SEER 14.50 or higher and EER 12.00 or higher and HSPF 8.2 or higher.
 † For coils not listed with a matching furnace or blower, coil rating applies with any indoor blower device.

COOLING & HEATING PERFORMANCE FOR COMBINATION RATINGS (continued) Indoor Models

For complete ratings information, use the AHRI website directory search: www.AHRIdirectory.org. New ratings may be listed online before Specification Sheets are updated.

Outdoor Model	Current Indoor Model (‡ tested combo)	Furnace Model	Factory Installed	Cool 95° F (35° C)			SEER			Heat 47 ° F (8.3° C)		Heat 17 ° F (-8.3° C)		HSPF	
				BTU/hr	S / T	EER	factory	with field TDR	with field TXV	BTU/hr	COP	BTU/hr	COP		
N4H348AKE N4H348GKE (continued)	ED*4X60J**	*8MX*1102120**	TDR&TXV	47,000	0.76	11.50	14.00				46,000	3.76	29,200	2.64	7.8
	ED*4X60J**	*9MPV100	TDR&TXV	47,000	0.76	11.50	13.50				46,000	3.72	29,800	2.60	7.7
	ED*4X60J**	*9MVX080	TDR&TXV	47,000	0.76	11.50	13.50				46,000	3.72	29,800	2.60	7.7
	ED*4X60J**	MV16J22**B*	TDR&TXV	47,000	0.76	11.50	14.00				46,000	3.82	29,000	2.68	7.8
	ED*4X60J**	NOMV156E19*	TDR&TXV	46,000	0.76	11.50	13.50				46,000	3.68	29,400	2.60	7.7
	ED*4X60J**	†	TXV	47,000	0.76	11.00			13.00		47,500	3.72	30,400	2.58	7.7
	ED*4X60L**	*8MV*1352422**	TDR&TXV	47,000	0.76	11.50	14.00				46,000	3.74	29,200	2.64	7.8
	ED*4X60L**	*8MV*1352422**	TDR&TXV	47,000	0.76	11.50	14.00				46,000	3.74	29,200	2.64	7.8
	ED*4X60L**	*8MX*1352420**	TDR&TXV	47,000	0.76	11.50	14.00				46,000	3.76	29,400	2.64	7.8
	ED*4X60L**	*8MX*1352420**	TDR&TXV	47,000	0.76	11.50	14.00				46,000	3.76	29,400	2.64	7.8
	ED*4X60L**	*9MPV125	TDR&TXV	47,000	0.76	11.50	13.50				46,000	3.74	29,800	2.62	7.7
	ED*4X60L**	*9MVX100	TDR&TXV	47,000	0.76	11.50	13.50				46,000	3.72	29,600	2.62	7.7
	ED*4X60L**	MV20L24**B*	TDR&TXV	47,000	0.76	11.50	14.00				46,000	3.84	29,000	2.70	7.8
	ED*4X60L**	OLV154F20A	TDR&TXV	48,000	0.76	11.50	13.50				48,000	3.80	30,200	2.64	7.7
	ED*4X60L**	†	TXV	47,000	0.76	11.00			13.00		47,500	3.72	30,400	2.58	7.7
	EHD4X48A**	*8MPV100	TDR&TXV	46,000	0.76	11.50	13.50				46,000	3.74	29,600	2.60	7.8
	EHD4X48A**	*8MPV125	TDR&TXV	46,000	0.76	11.50	13.50				46,000	3.76	29,400	2.62	7.8
	EHD4X48A**	*8MV*0901716**	TDR&TXV	46,000	0.76	11.50	13.50				46,000	3.68	29,400	2.58	7.7
	EHD4X48A**	*8MV*1102120**	TDR&TXV	46,000	0.76	11.50	13.50				46,000	3.70	29,200	2.60	7.7
	EHD4X48A**	*8MV*1352422**	TDR&TXV	46,000	0.76	11.50	13.50				46,000	3.72	29,200	2.62	7.8
	EHD4X48A**	*8MX*0902116**	TDR&TXV	46,000	0.76	11.50	13.50				46,000	3.72	29,400	2.60	7.8
	EHD4X48A**	*8MX*1102120**	TDR&TXV	46,000	0.76	11.50	14.00				46,000	3.74	29,000	2.62	7.8
	EHD4X48A**	*8MX*1352420**	TDR&TXV	46,000	0.76	11.50	13.50				46,000	3.72	29,200	2.60	7.8
	EHD4X48A**	*9MPV100	TDR&TXV	46,000	0.76	11.50	13.50				46,000	3.68	29,800	2.58	7.7
	EHD4X48A**	*9MPV125	TDR&TXV	46,000	0.76	11.50	13.50				46,000	3.70	29,600	2.58	7.7
	EHD4X48A**	*9MVX080	TDR&TXV	46,000	0.76	11.50	13.50				46,000	3.70	29,800	2.58	7.7
	EHD4X48A**	*9MVX100	TDR&TXV	46,000	0.76	11.50	13.50				46,000	3.70	29,600	2.58	7.7
	EHD4X48A**	MV16J22**B*	TDR&TXV	46,000	0.76	11.50	14.00				46,000	3.82	29,000	2.66	7.8
	EHD4X48A**	MV20L24**B*	TDR&TXV	46,000	0.76	11.50	14.00				46,000	3.80	29,000	2.66	7.8
	EHD4X48A**	NOMV156E19*	TDR&TXV	46,000	0.76	11.50	13.50				46,000	3.68	29,400	2.58	7.7
	EHD4X48A**	OLV154F20A	TDR&TXV	47,500	0.76	11.50	13.50				48,000	3.76	30,400	2.60	7.7
	EHD4X48A**	†	TXV	46,000	0.76	11.00			13.00		47,500	3.72	30,400	2.58	7.8
	EHD4X60A**	*8MPV100	TDR&TXV	47,000	0.76	11.50	14.00				46,000	3.82	29,800	2.66	7.8
	EHD4X60A**	*8MPV125	TDR&TXV	47,000	0.76	11.50	14.00				46,000	3.84	29,600	2.66	7.8
	EHD4X60A**	*8MV*0901716**	TDR&TXV	47,000	0.76	11.50	14.00				46,000	3.74	29,200	2.62	7.8
	EHD4X60A**	*8MV*1102120**	TDR&TXV	47,000	0.76	11.50	14.00				46,000	3.76	29,200	2.64	7.8
	EHD4X60A**	*8MV*1352422**	TDR&TXV	47,000	0.76	11.50	14.00				46,000	3.78	29,200	2.66	7.8
	EHD4X60A**	*8MX*0701716**	TDR&TXV	47,000	0.76	11.00	13.00				46,000	3.64	30,400	2.54	7.7
	EHD4X60A**	*8MX*0902116**	TDR&TXV	47,000	0.76	11.50	14.00				46,000	3.78	29,600	2.64	7.8
	EHD4X60A**	*8MX*1102120**	TDR&TXV	47,000	0.76	11.50	14.00				46,000	3.82	29,200	2.68	7.8
EHD4X60A**	*8MX*1352420**	TDR&TXV	47,000	0.76	11.50	14.00				46,000	3.80	29,400	2.66	7.8	
EHD4X60A**	*9MPV100	TDR&TXV	47,000	0.76	11.50	13.50				46,000	3.76	30,000	2.62	7.8	
EHD4X60A**	*9MPV125	TDR&TXV	47,000	0.76	11.50	13.50				46,000	3.78	29,800	2.64	7.8	

2009 ENERGY STAR compliance for combinations with all three: SEER 14.50 or higher and EER 12.00 or higher and HSPF 8.2 or higher.

† For coils not listed with a matching furnace or blower, coil rating applies with any indoor blower device.

- continued on next page -

COOLING & HEATING PERFORMANCE FOR COMBINATION RATINGS (continued) Indoor Models

For complete ratings information, use the AHRI website directory search: www.AHRIdirectory.org. New ratings may be listed online before Specification Sheets are updated.

Outdoor Model	Current Indoor Model (‡ tested combo)	Furnace Model	Factory Installed	Cool 95° F (35° C)			SEER			Heat 47 ° F (8.3° C)		Heat 17 ° F (-8.3° C)		HSPF	
				BTU/hr	S / T	EER	factory	with field TDR	with field TXV	BTU/hr	COP	BTU/hr	COP		
N4H348AKE N4H348GKE (continued)	EHD4X60A**	*9MVX080	TDR&TXV	47,000	0.76	11.50	13.50				46,000	3.78	30,000	2.62	7.8
	EHD4X60A**	*9MVX100	TDR&TXV	47,000	0.76	11.50	13.50				46,000	3.76	29,600	2.62	7.8
	EHD4X60A**	MV16J22**B*	TDR&TXV	47,000	0.76	11.50	14.00				46,000	3.86	29,000	2.70	8.0
	EHD4X60A**	MV20L24**B*	TDR&TXV	47,000	0.76	11.50	14.00				46,000	3.88	29,000	2.70	8.0
	EHD4X60A**	NOMV156E19*	TDR&TXV	47,000	0.76	11.50	13.50				46,000	3.74	29,400	2.62	7.8
	EHD4X60A**	OLV112A16A	TDR&TXV	47,000	0.76	11.50	13.00				47,500	3.70	30,000	2.58	7.7
	EHD4X60A**	OLV154F20A	TDR&TXV	48,000	0.76	11.50	13.50				48,000	3.86	30,200	2.66	7.7
	EHD4X60A**	†	TXV	47,000	0.76	11.00			13.00		47,500	3.74	30,400	2.60	7.8
	EN(A,D)4X48*24**	*8MV*1352422**	TDR&TXV	46,000	0.76	11.50	13.50				46,000	3.70	29,000	2.60	7.7
	EN(A,D)4X48*24**	*8MX*1352420**	TDR&TXV	46,000	0.76	11.50	13.50				46,000	3.70	29,200	2.60	7.7
	EN(A,D)4X48*24**	*9MPV100	TDR&TXV	46,500	0.76	11.50	13.00				47,000	3.68	29,800	2.58	7.7
	EN(A,D)4X48*24**	*9MPV125	TDR&TXV	46,500	0.76	11.50	13.50				47,000	3.70	29,600	2.58	7.7
	EN(A,D)4X48*24**	*9MVX080	TDR&TXV	46,500	0.76	11.50	13.00				47,000	3.68	29,800	2.58	7.7
	EN(A,D)4X48*24**	*9MVX100	TDR&TXV	46,500	0.76	11.50	13.50				47,000	3.68	29,400	2.58	7.7
	EN(A,D)4X48*24**	OLV154F20A	TDR&TXV	47,000	0.76	11.50	13.00				47,500	3.74	30,200	2.60	7.7
	EN(A,D)4X48*24**	†	TXV	46,000	0.76	11.00			13.00		47,500	3.66	30,200	2.56	7.7
	EN(A,D)4X61*24**	*8MV*1352422**	TDR&TXV	47,000	0.76	11.50	14.00				46,000	3.84	29,200	2.68	7.8
	EN(A,D)4X61*24**	*8MX*1352420**	TDR&TXV	47,000	0.76	11.50	14.00				46,000	3.86	29,400	2.68	8.0
	EN(A,D)4X61*24**	*9MPV100	TDR&TXV	48,000	0.76	11.50	13.50				47,500	3.82	30,000	2.64	7.7
	EN(A,D)4X61*24**	*9MPV125	TDR&TXV	48,000	0.76	12.00	14.00				47,500	3.82	29,800	2.66	7.7
	EN(A,D)4X61*24**	*9MVX080	TDR&TXV	48,000	0.76	11.50	13.50				47,500	3.82	30,000	2.64	7.7
	EN(A,D)4X61*24**	*9MVX100	TDR&TXV	48,000	0.76	12.00	14.00				47,500	3.82	29,800	2.64	7.7
	EN(A,D)4X61*24**	OLV112A16A	TDR&TXV	47,500	0.76	11.50	13.50				47,500	3.74	30,000	2.60	7.7
	EN(A,D)4X61*24**	OLV154F20A	TDR&TXV	48,000	0.76	11.50	13.50				48,000	3.88	30,400	2.66	7.7
	EN(A,D)4X61*24**	†	TXV	47,000	0.76	11.00			13.00		47,500	3.78	30,600	2.62	7.8
	EN(A,D,W)4X48*21**	*8MV*1102120**	TDR&TXV	46,000	0.76	11.50	13.50				46,000	3.68	29,200	2.58	7.7
	EN(A,D,W)4X48*21**	*8MX*0902116**	TDR&TXV	46,000	0.76	11.50	13.50				46,000	3.70	29,400	2.60	7.7
	EN(A,D,W)4X48*21**	*8MX*1102120**	TDR&TXV	46,000	0.76	11.50	13.50				46,000	3.72	29,000	2.62	7.8
	EN(A,D,W)4X48*21**	*9MPV100	TDR&TXV	46,500	0.76	11.50	13.00				47,000	3.68	29,800	2.58	7.7
	EN(A,D,W)4X48*21**	*9MVX080	TDR&TXV	46,500	0.76	11.50	13.00				47,000	3.68	29,800	2.58	7.7
	EN(A,D,W)4X48*21**	NOMV156E19*	TDR&TXV	46,000	0.76	11.50	13.50				46,000	3.66	29,200	2.58	7.7
	EN(A,D,W)4X48*21**	†	TXV	46,000	0.76	11.00			13.00		47,500	3.66	30,200	2.56	7.7
	EN(A,D,W)4X60*24**	*8MV*1352422**	TDR&TXV	47,000	0.76	11.50	14.00				46,000	3.74	29,000	2.64	7.8
	EN(A,D,W)4X60*24**	*8MX*1352420**	TDR&TXV	47,000	0.76	11.50	14.00				46,000	3.76	29,400	2.64	7.8
	EN(A,D,W)4X60*24**	*9MPV100	TDR&TXV	47,500	0.76	11.50	13.50				47,000	3.72	29,800	2.60	7.7
	EN(A,D,W)4X60*24**	*9MPV125	TDR&TXV	47,500	0.76	11.50	13.50				47,000	3.74	29,600	2.62	7.7
	EN(A,D,W)4X60*24**	*9MVX080	TDR&TXV	47,500	0.76	11.50	13.50				47,500	3.72	29,800	2.60	7.7
	EN(A,D,W)4X60*24**	*9MVX100	TDR&TXV	47,000	0.76	11.50	13.50				47,000	3.72	29,600	2.62	7.7
	EN(A,D,W)4X60*24**	OLV154F20A	TDR&TXV	48,000	0.76	11.50	13.50				48,000	3.80	30,200	2.64	7.7
	EN(A,D,W)4X60*24**	†	TXV	47,000	0.76	11.00			13.00		47,500	3.70	30,400	2.58	7.8
ENH4X48*21**	*8MV*0901716**	TDR&TXV	46,000	0.76	11.50	13.50				46,000	3.66	29,200	2.58	7.7	
ENH4X48*21**	*8MV*1102120**	TDR&TXV	46,000	0.76	11.50	13.50				46,000	3.68	29,200	2.58	7.7	
ENH4X48*21**	*8MV*1352422**	TDR&TXV	46,000	0.76	11.50	13.50				46,000	3.70	29,000	2.60	7.7	

2009 ENERGY STAR compliance for combinations with all three: SEER 14.50 or higher and EER 12.00 or higher and HSPF 8.2 or higher.
 † For coils not listed with a matching furnace or blower, coil rating applies with any indoor blower device.

COOLING & HEATING PERFORMANCE FOR COMBINATION RATINGS (continued) Indoor Models

For complete ratings information, use the AHRI website directory search: www.AHRIdirectory.org. New ratings may be listed online before Specification Sheets are updated.

Outdoor Model	Current Indoor Model (‡ tested combo)	Furnace Model	Factory Installed	Cool 95° F (35° C)			SEER			Heat 47 ° F (8.3° C)		Heat 17 ° F (-8.3° C)		HSPF	
				BTU/hr	S / T	EER	factory	with field TDR	with field TXV	BTU/hr	COP	BTU/hr	COP		
N4H348AKE N4H348GKE (continued)	ENH4X48*21**	*8MX*0902116**	TDR&TXV	46,000	0.76	11.50	13.50				46,000	3.70	29,400	2.60	7.7
	ENH4X48*21**	*8MX*1102120**	TDR&TXV	46,000	0.76	11.50	14.00				46,000	3.72	29,000	2.62	7.8
	ENH4X48*21**	*8MX*1352420**	TDR&TXV	46,000	0.76	11.50	13.50				46,000	3.70	29,200	2.60	7.7
	ENH4X48*21**	*9MPV100	TDR&TXV	46,500	0.76	11.50	13.00				47,000	3.68	29,800	2.58	7.7
	ENH4X48*21**	*9MPV125	TDR&TXV	46,500	0.76	11.50	13.50				47,000	3.70	29,600	2.58	7.7
	ENH4X48*21**	*9MVX080	TDR&TXV	46,500	0.76	11.50	13.00				47,000	3.68	29,800	2.58	7.7
	ENH4X48*21**	*9MVX100	TDR&TXV	46,500	0.76	11.50	13.50				47,000	3.68	29,400	2.58	7.7
	ENH4X48*21**	NOMV156E19*	TDR&TXV	46,000	0.76	11.50	13.50				46,000	3.66	29,200	2.58	7.7
	ENH4X48*21**	OLV154F20A	TDR&TXV	47,000	0.76	11.50	13.00				47,500	3.74	30,200	2.60	7.7
	ENH4X48*21**	†	TXV	46,000	0.76	11.00			13.00		47,500	3.66	30,200	2.56	7.7
	ENH4X60*24**	*8MV*0901716**	TDR&TXV	47,000	0.76	11.50	13.50				46,000	3.70	29,200	2.62	7.7
	ENH4X60*24**	*8MV*1102120**	TDR&TXV	47,000	0.76	11.50	14.00				46,000	3.72	29,200	2.62	7.8
	ENH4X60*24**	*8MV*1352422**	TDR&TXV	47,000	0.76	11.50	14.00				46,000	3.74	29,000	2.64	7.8
	ENH4X60*24**	*8MX*0701716**	TDR&TXV	47,000	0.76	11.00	13.00				46,000	3.60	30,200	2.52	7.7
	ENH4X60*24**	*8MX*0902116**	TDR&TXV	47,000	0.76	11.50	13.50				46,000	3.74	29,400	2.64	7.8
	ENH4X60*24**	*8MX*1102120**	TDR&TXV	47,000	0.76	11.50	14.00				46,000	3.78	29,200	2.66	7.8
	ENH4X60*24**	*8MX*1352420**	TDR&TXV	47,000	0.76	11.50	14.00				46,000	3.76	29,400	2.64	7.8
	ENH4X60*24**	*9MPV100	TDR&TXV	47,500	0.76	11.50	13.50				47,500	3.72	29,800	2.60	7.7
	ENH4X60*24**	*9MPV125	TDR&TXV	47,500	0.76	11.50	13.50				47,000	3.74	29,600	2.62	7.7
	ENH4X60*24**	*9MVX080	TDR&TXV	47,500	0.76	11.50	13.50				47,500	3.72	29,800	2.60	7.7
	ENH4X60*24**	*9MVX100	TDR&TXV	47,000	0.76	11.50	13.50				47,000	3.72	29,600	2.62	7.7
	ENH4X60*24**	NOMV156E19*	TDR&TXV	46,000	0.76	11.50	13.50				46,000	3.70	29,200	2.62	7.7
	ENH4X60*24**	OLV154F20A	TDR&TXV	48,000	0.76	11.50	13.50				48,000	3.80	30,200	2.64	7.7
	ENH4X60*24**	†	TXV	47,000	0.76	11.00			13.00		47,500	3.70	30,400	2.58	7.8
	ENH4X61*24**	*8MV*0901716**	TDR&TXV	47,000	0.76	11.50	13.50				46,000	3.74	29,400	2.62	7.8
	ENH4X61*24**	*8MV*1102120**	TDR&TXV	47,000	0.76	11.50	14.00				46,000	3.76	29,400	2.62	7.8
	ENH4X61*24**	*8MV*1352422**	TDR&TXV	47,000	0.76	11.50	14.00				46,000	3.78	29,200	2.66	7.8
	ENH4X61*24**	*8MX*0701716**	TDR&TXV	47,000	0.76	11.00	13.00				46,000	3.64	30,400	2.54	7.7
	ENH4X61*24**	*8MX*0902116**	TDR&TXV	47,000	0.76	11.50	14.00				46,000	3.78	29,600	2.64	7.8
	ENH4X61*24**	*8MX*1102120**	TDR&TXV	47,000	0.76	11.50	14.00				46,000	3.80	29,200	2.66	7.8
	ENH4X61*24**	*8MX*1352420**	TDR&TXV	47,000	0.76	11.50	14.00				46,000	3.78	29,400	2.64	7.8
	ENH4X61*24**	*9MPV100	TDR&TXV	47,500	0.76	11.50	13.50				47,500	3.76	30,000	2.62	7.7
	ENH4X61*24**	*9MPV125	TDR&TXV	47,500	0.76	11.50	13.50				47,500	3.78	29,800	2.62	7.7
	ENH4X61*24**	*9MVX080	TDR&TXV	47,500	0.76	11.50	13.50				47,500	3.76	30,000	2.62	7.7
	ENH4X61*24**	*9MVX100	TDR&TXV	47,500	0.76	11.50	13.50				47,000	3.76	29,600	2.62	7.7
	ENH4X61*24**	NOMV156E19*	TDR&TXV	47,000	0.76	11.50	13.50				46,000	3.72	29,400	2.62	7.8
	ENH4X61*24**	OLV154F20A	TDR&TXV	48,000	0.76	11.50	13.50				48,000	3.84	30,400	2.64	7.7
	ENH4X61*24**	†	TXV	47,000	0.76	11.00			13.00		47,500	3.76	30,400	2.60	7.8
	FEM4P48**A*	-	TDR	46,000	0.76	11.00	13.00				46,000	3.66	29,600	2.58	7.8
	FEM4P48**A*+TXV	-	TDR	46,000	0.76	11.00				13.50	46,000	3.68	29,600	2.58	7.8
FEM4P60**A*	-	TDR	47,000	0.76	11.00	13.20				47,000	3.78	29,800	2.64	7.8	
FEM4P60**A*+TXV	-	TDR	47,000	0.76	11.50				14.00	47,000	3.78	29,800	2.64	7.8	
FEM4X48****	-	TDR&TXV	47,000	0.76	11.50	13.50				47,500	3.78	29,800	2.64	7.8	

2009 ENERGY STAR compliance for combinations with all three: SEER 14.50 or higher and EER 12.00 or higher and HSPF 8.2 or higher.

† For coils not listed with a matching furnace or blower, coil rating applies with any indoor blower device.

- continued on next page -

COOLING & HEATING PERFORMANCE FOR COMBINATION RATINGS (continued) Indoor Models

For complete ratings information, use the AHRI website directory search: www.AHRIdirectory.org. New ratings may be listed online before Specification Sheets are updated.

Outdoor Model	Current Indoor Model (‡ tested combo)	Furnace Model	Factory Installed	Cool 95° F (35° C)			SEER			Heat 47 ° F (8.3° C)		Heat 17 ° F (-8.3° C)		HSPF	
				BTU/hr	S / T	EER	factory	with field TDR	with field TXV	BTU/hr	COP	BTU/hr	COP		
N4H348AKE N4H348GKE (continued)	FEM4X60****	-	TDR&TXV	47,000	0.76	11.50	14.00				47,000	3.90	29,800	2.68	7.8
	FS(M,U)4P48**A*+TXV	-	TDR	47,000	0.76	11.00			13.50		46,000	3.74	30,000	2.62	7.8
	FS(M,U)4X48****	-	TDR&TXV	46,000	0.76	11.00	13.00				46,000	3.62	30,600	2.54	7.7
	FS(M,U)4X60**A*	-	TDR&TXV	47,000	0.76	11.00	13.20				47,500	3.72	30,600	2.56	7.8
	FVM4X48****	-	TDR&TXV	46,000	0.76	11.50	14.00				46,000	3.76	29,000	2.66	7.8
	FVM4X60****	-	TDR&TXV	47,000	0.76	12.00	14.50				46,000	3.88	29,000	2.72	8.2
	FXM4X48**A*	-	TDR&TXV	47,000	0.76	11.50	14.00				46,000	3.82	29,600	2.68	8.0
	FXM4X60**A*	-	TDR&TXV	47,000	0.76	12.00	14.50				47,000	3.94	29,600	2.72	8.2
N4H360AKB N4H360GKB	‡FS(M,U)4X60****	-	TDR&TXV	58,500	0.75	10.80	13.00				58,000	3.52	37,000	2.50	7.7
	ED*4X60J**	†	TXV	58,000	0.75	10.80		13.00			57,500	3.52	36,600	2.50	7.7
	ED*4X60J**	*8MPV125	TDR&TXV	58,500	0.75	11.00	13.20				57,500	3.52	36,600	2.50	7.7
	ED*4X60J**	*8MV*1102120**	TDR&TXV	58,000	0.75	11.00	13.20				58,000	3.54	36,600	2.52	7.7
	ED*4X60J**	*8MX*0902116**	TDR&TXV	58,000	0.75	11.00	13.00				58,000	3.46	36,600	2.50	7.7
	ED*4X60J**	*8MX*1102120**	TDR&TXV	58,500	0.75	11.00	13.50				58,000	3.46	36,600	2.50	7.7
	ED*4X60J**	MV16J22**B*	TDR&TXV	59,000	0.75	11.20	13.50				58,000	3.52	37,000	2.50	7.7
	ED*4X60L**	†	TXV	58,000	0.75	10.80		13.00			57,500	3.56	36,600	2.54	7.7
	ED*4X60L**	*8MV*1352422**	TDR&TXV	58,000	0.75	11.00	13.20				57,500	3.52	36,400	2.52	7.7
	ED*4X60L**	*8MX*1352420**	TDR&TXV	58,000	0.75	11.00	13.00				57,000	3.50	36,200	2.52	7.7
	ED*4X60L**	MV20L24**B*	TDR&TXV	59,000	0.75	11.20	13.50				57,000	3.56	36,200	2.54	7.7
	EHD4X60A**	†	TXV	58,500	0.75	10.80		13.00			57,000	3.54	36,200	2.54	7.7
	EHD4X60A**	*8MPV125	TDR&TXV	58,500	0.75	11.00	13.20				57,000	3.50	36,200	2.52	7.7
	EHD4X60A**	*8MV*1102120**	TDR&TXV	58,500	0.75	11.00	13.20				58,500	3.60	36,600	2.54	7.7
	EHD4X60A**	*8MX*0902116**	TDR&TXV	58,000	0.75	11.00	13.00				58,000	3.54	36,400	2.54	7.7
	EHD4X60A**	*8MX*1102120**	TDR&TXV	58,500	0.75	11.00	13.50				57,500	3.52	36,200	2.52	7.7
	EHD4X60A**	*8MX*1352420**	TDR&TXV	58,500	0.75	11.00	13.00				57,500	3.58	36,200	2.56	7.7
	EHD4X60A**	*8MV*1352422**	TDR&TXV	58,500	0.75	11.20	13.50				57,500	3.54	36,200	2.54	7.7
	EHD4X60A**	MV16J22**B*	TDR&TXV	59,000	0.75	11.20	13.50				58,000	3.60	36,800	2.54	7.7
	EHD4X60A**	MV20L24**B*	TDR&TXV	59,000	0.75	11.20	13.50				57,500	3.48	36,000	2.54	7.7
	EN(A,D)4X61*24**	†	TXV	59,000	0.75	11.00		13.00			57,500	3.46	36,000	2.52	7.7
	EN(A,D)4X61*24**	*8MV*1352422**	TDR&TXV	59,000	0.75	11.20	13.50				57,500	3.46	36,200	2.50	7.7
	EN(A,D)4X61*24**	*8MX*1352420**	TDR&TXV	59,000	0.75	11.20	13.50				57,500	3.48	36,000	2.54	7.7
	EN(A,D,W)4X60*24**	†	TXV	58,000	0.75	10.80		13.00			57,500	3.44	36,200	2.50	7.7
	EN(A,D,W)4X60*24**	*8MV*1352422**	TDR&TXV	58,000	0.75	11.00	13.20				57,500	3.50	36,000	2.54	7.7
	EN(A,D,W)4X60*24**	*8MX*1352420**	TDR&TXV	58,000	0.75	11.00	13.00				57,500	3.46	36,000	2.52	7.7
	ENH4X60*24**	†	TXV	58,000	0.75	10.80		13.00			57,500	3.54	36,600	2.52	7.7
	ENH4X60*24**	*8MV*1102120**	TDR&TXV	58,000	0.75	11.00	13.20				57,000	3.58	36,200	2.56	7.7
	ENH4X60*24**	*8MV*1352422**	TDR&TXV	58,000	0.75	11.00	13.20				57,000	3.54	36,200	2.54	7.7
	ENH4X60*24**	*8MX*0902116**	TDR&TXV	57,500	0.75	11.00	13.00				57,500	3.56	36,800	2.52	7.7
	ENH4X60*24**	*8MX*1102120**	TDR&TXV	58,000	0.75	11.00	13.50				57,500	3.46	36,400	2.50	7.7
	ENH4X60*24**	*8MX*1352420**	TDR&TXV	58,000	0.75	11.00	13.00				57,000	3.62	36,000	2.58	7.7

2009 ENERGY STAR compliance for combinations with all three: SEER 14.50 or higher and EER 12.00 or higher and HSPF 8.2 or higher.

† For coils not listed with a matching furnace or blower, coil rating applies with any indoor blower device.

- continued on next page -

COOLING & HEATING PERFORMANCE FOR COMBINATION RATINGS (continued) Indoor Models

For complete ratings information, use the AHRI website directory search: www.AHRIdirectory.org. New ratings may be listed online before Specification Sheets are updated.

Outdoor Model	Current Indoor Model (‡ tested combo)	Furnace Model	Factory Installed	Cool 95° F (35° C)			SEER			Heat 47 ° F (8.3° C)		Heat 17 ° F (-8.3° C)		HSPF
				BTU/hr	S / T	EER	factory	with field TDR	with field TXV	BTU/hr	COP	BTU/hr	COP	
N4H360AKB N4H360GKB	ENH4X61*24**	*8MV*1102120**	TDR&TXV	58,500	0.75	11.00	13.00			57,000	3.62	36,000	2.58	7.7
	ENH4X61*24**	*8MV*1352422**	TDR&TXV	58,500	0.75	11.00	13.00			57,500	3.58	36,200	2.56	7.7
	ENH4X61*24**	*8MX*1352420**	TDR&TXV	58,000	0.75	11.00	13.00			57,500	3.66	36,000	2.60	8.0
	ENH4X61*24**	†	TXV	58,500	0.75	11.00		13.00		57,500	3.66	36,000	2.60	8.0
	ENH4X61*24**	*8MX*1102120**	TDR&TXV	58,500	0.75	11.20	13.50			57,500	3.64	36,200	2.58	7.7
	FEM4X48****	-	TDR&TXV	57,500	0.75	11.00	13.00			57,500	3.62	36,200	2.56	7.7
	FEM4X60****	-	TDR&TXV	59,000	0.75	11.20	13.50			57,000	3.58	36,200	2.56	7.7
	FS(M,U)4X60**A*	-	TDR&TXV	58,500	0.75	10.80	13.00			57,000	3.66	36,200	2.58	7.7
	FVM4X60****	-	TDR&TXV	59,500	0.75	11.50	14.00			57,000	3.68	36,000	2.60	8.0
FXM4X60**A*	-	TDR&TXV	59,000	0.75	11.50	13.50			57,000	3.68	36,000	2.60	7.8	

2009 ENERGY STAR compliance for combinations with all three: SEER 14.50 or higher and EER 12.00 or higher and HSPF 8.2 or higher.

† For coils not listed with a matching furnace or blower, coil rating applies with any indoor blower device.



This product has been designed and manufactured to meet ENERGY STAR criteria for energy efficiency when matched with appropriate coil components. However, proper refrigerant charge and proper air flow are critical to achieve rated capacity and efficiency. Installation of this product should follow the manufacturer's refrigerant charging and air flow instructions. Failure to confirm proper charge and airflow may reduce energy efficiency and shorten equipment life.

ACCESSORY USAGE GUIDELINES			
Accessory	REQUIRED FOR APPLICATIONS IN SNOW-BELT REGION	REQUIRED FOR LOW-AMBIENT APPLICATIONS {Below 55°F (13°C)}	REQUIRED FOR LONG-LINE APPLICATIONS* {Over 80 Ft. (24.4m)}
Crankcase Heater	Standard (if required)	Yes	Yes
Evaporator Freeze Thermostat	No	Yes	No
Accumulator	Standard (factory installed)	Standard (factory installed)	Standard (factory installed)
Hard Start Kit (Capacitor & Relay)	No	Yes	Yes
Low Ambient Kit (Pressure Switch)	No	Yes	No
Support Feet, 4" (102mm) tall	Yes	Recommended	No
Liquid Line Solenoid Valve	No	No	See Long-Line Application Guideline

* For Line Set lengths between 80 and 200 ft (24.4 and 61m) horizontal. or more than 20 ft (6.1m) indoor-outdoor vertical separation, refer to the Long Line Application Guideline document.

ACCESSORIES		
Part Number	Description	Used On Model Size
NASA001SC	Start Component – PTC Device	ALL
NASA001FS	Evaporator Freeze Thermostat	ALL
NASA001LS	Liquid Line Solenoid Valve, HP, R-22 or R-410A	ALL
NASA001TD	Time Delay Relay, Indoor Blower	ALL
NASA001AC	Anti-Cycle Timer (5 minute delay)	ALL
NASA005SC	Hard Start Kit (Capacitor & Relay)	ALL
NASA401LA	Low Ambient Pressure Switch	ALL
NASA001SF	Support Feet, 4" (102mm) tall	ALL
AXWR01DFC	Fossil Fuel Kit	ALL
NASA00106SS	Snow Stand Kit	ALL
NASA00501CH	Crankcase Heater for Scroll Compressor (208/230 V)	42 (factory installed on 48, 60)
NASA00601CH	Crankcase Heater for Scroll Compressor (208/230 V)	18, 24, 30, 36
NASA001SJ	Sound Jacket, Compressor	18, 24, 30, 36, 42, 48
NASA003SJ	Sound Jacket, Compressor	60
EBAC05TXVX	TXV Kit, R-410A – 2005–2009 R-22 TXV Fancoils (air handlers)	18, 24, 30
EBAC06TXVX	TXV Kit, R-410A – 2005–2009 R-22 TXV Fancoils (air handlers)	36, 42
EBAC07TXVX	TXV Kit, R-410A – 2005–2009 R-22 TXV Fancoils (air handlers)	48, 60
NAEA40501TX	TXV Kit, R-410A – 2010 and later Piston Coils	18, 24, 30
NAEA40601TX	TXV Kit, R-410A – 2010 and later Piston Coils	36, 42
NAEA40701TX	TXV Kit, R-410A – 2010 and later Piston Coils	48, 60

International Comfort Products, LLC
 Lewisburg, Tennessee 37091 USA
www.GoTempstar.com