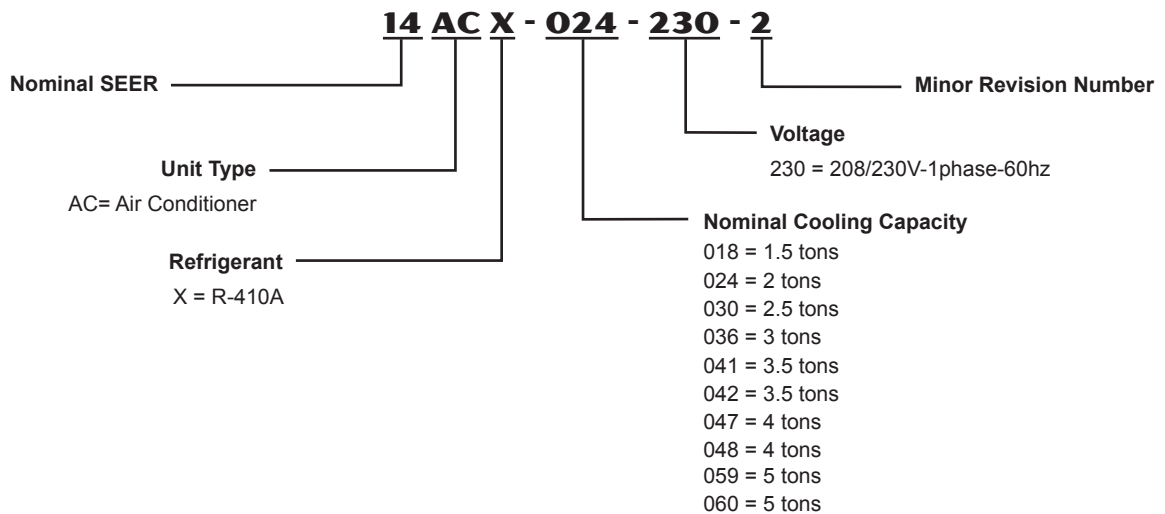




SEER up to 15.5
1.5 to 5 Tons
Cooling Capacity - 17,700 to 58,000 Btuh

MODEL NUMBER IDENTIFICATION



FEATURES

CONTENTS

AHRI System Matches.....	10
Dimensions	8
Electrical Data.....	6
Features.....	2
Field Wiring.....	5
Installation Clearances	5
Model Number Identification.....	1
Optional Accessories	6
Sound Data	9
Specifications	6

EQUIPMENT WARRANTY

Compressor - limited warranty for **five years** in residential installations and five years in non-residential installations.

All other covered components - **five years** in residential installations and one year in non-residential installations.

Refer to Lennox Equipment Limited Warranty certificate included with unit for specific details.

APPROVALS

Certified in Accordance with the USE certification program, which is based on AHRI Standard 210/240-2008.

Sound rated in Lennox reverberant sound test room in Accordance with test conditions included in AHRI Standard 270-2008.

Tested in the Lennox Research Laboratory environmental test room.

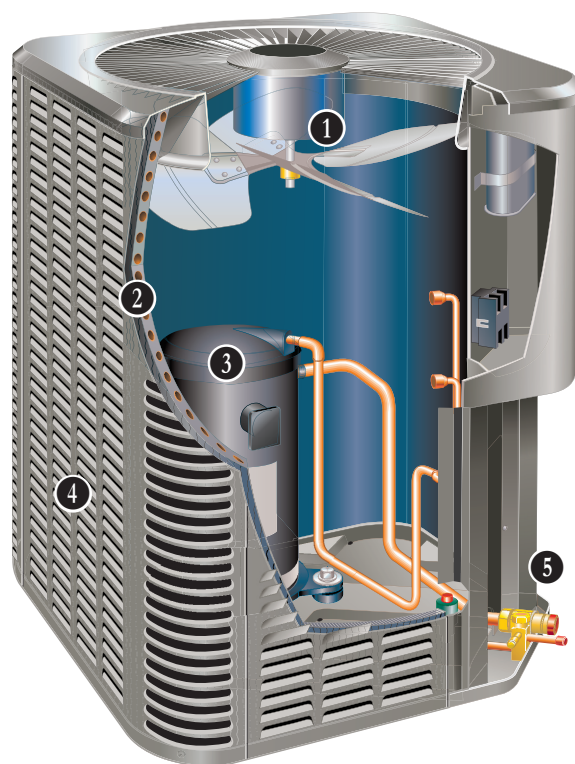
Rated According to U.S. Department of Energy (DOE) test procedures.

Units and components within bonded for grounding to meet safety standards for servicing required by UL, NEC and CEC.

Units are UL listed and CSA certified.

ISO 9001 Registered Manufacturing Quality System.

ENERGY STAR® certified units are designed to use less energy, help save money on utility bills, and help protect the environment. Many Lennox home comfort systems meet ENERGY STAR requirements when used with matching components.



APPLICATIONS

SEER up to 15.5.

1.5 through 5 ton.

Single-phase power supply.

Sound levels as low as 76 dB.

Vertical air discharge allows concealment behind shrubs at grade level or out of sight on a roof.

Matching add-on furnace indoor coils or air handlers provide a wide range of cooling capacities and applications. See AHRI System Matches.

See Indoor Coils and Air Handlers sections for data.

Units shipped completely factory assembled, piped and wired. Each unit test operated at the factory ensuring proper operation.

Installer must set air conditioner, connect refrigerant lines and make electrical connections to complete job.

For expanded ratings, see www.lennox.com.

FEATURES

REFRIGERATION SYSTEM

R-410A Refrigerant

Non-chlorine, ozone friendly, R-410A.

Unit pre-charged with refrigerant.

See Specification table.



1 Outdoor Coil Fan

Direct drive fan moves large air volumes uniformly through entire condenser coil for high refrigerant cooling capacity.

Vertical air discharge minimizes operating sounds and eliminates damage to lawn and shrubs.

Fan motor has sleeve bearings and is inherently protected.

Motor totally enclosed for maximum protection from weather, dust and corrosion.

Rain shield on motor provides additional protection from moisture.

Louvered steel top fan guard furnished as standard.

Fan service access accomplished by removal of top panel.

High Pressure Switch

Shuts off unit if abnormal operating conditions cause the discharge pressure to rise above setting.

Protects compressor from excessive condensing pressure.

Manual reset.

2 Copper Tube/Enhanced Fin Coil

Lennox designed and fabricated coil.

Ripple-edged aluminum fins.

Copper tube construction.

Lanced fins provide maximum exposure of fin surface to air stream resulting in excellent heat transfer.

Fin collars grip tubing for maximum contact area.

Flared shoulder tubing connections/silver soldering construction.

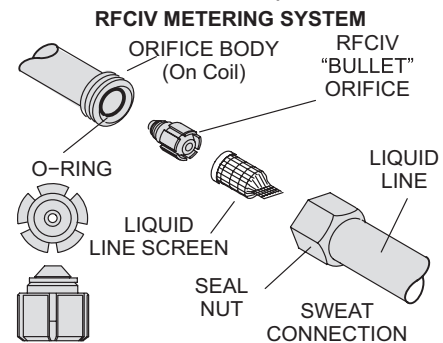
Coil is factory tested under high pressure to ensure leakproof construction.

Steel louvered panels provide complete coil protection.

Panels can be completely removed for servicing.

Refrigerant Flow Control

Units applicable to expansion valve systems or RFC systems when matched with specific indoor coils.



RFCIV:

Accurately meters refrigerant in system.

Refrigerant control is accomplished by exact sizing of refrigerant metering orifice.

The principle involves matching indoor coil with proper bore size of orifice in metering device.

Equalizes pressure shortly after compressor stops, unit starts unloaded, eliminating need for additional controls.

Furnished with air conditioner.

High Capacity Liquid Line Drier

Furnished with unit for field installation.

Approved for use with R-410A systems.

Traps any moisture or dirt that could contaminate the refrigerant system.

OPTIONS

Expansion Valve Kits

Must be ordered extra and field installed on certain indoor units. See Refrigerant Metering Devices table.

Chatleff-style fittings.

Freezestat

Installs on or near the vapor line of the indoor coil or on the suction line.

Senses suction line temperature and cycles the compressor off when suction line temperature falls below its setpoint.

Opens at 29°F and closes at 58°F.

Loss of Charge Switch Kit

Helps protect the compressor from damage due low refrigerant charge conditions.

SPST, normally-closed switch, automatic reset switch mounted on suction line.

Refrigerant Line Kits

Refrigerant lines (suction & liquid) are shipped refrigeration clean. Lines are cleaned, dried, pressurized and sealed at factory.

Suction line fully insulated.

Lines are stubbed at both ends.

Not available for -059-060 models. Must be field fabricated.

FEATURES

COMPRESSOR

3 Scroll Compressor

Compressor features high efficiency with uniform suction flow, constant discharge flow and high volumetric efficiency and quiet operation.

Compressor consists of two involute spiral scrolls matched together to generate a series of crescent shaped gas pockets between them.

During compression, one scroll remains stationary while the other scroll orbits around it.

Gas is drawn into the outer pocket, the pocket is sealed as the scroll rotates.

As the spiral movement continues, gas pockets are pushed to the center of the scrolls. Volume between the pockets is simultaneously reduced.

When pocket reaches the center, gas is now at high pressure and is forced out of a port located in the center of the fixed scrolls.

During compression, several pockets are compressed simultaneously resulting in a smooth continuous compression cycle.

Continuous flank contact, maintained by centrifugal force, minimizes gas leakage and maximizes efficiency.

Scroll compressor is tolerant to the effects of slugging and contaminants. If this occurs, scrolls separate, allowing liquid or contaminants to be worked toward the center and discharged.

Low gas pulses during compression reduces operational sound levels.

Compressor motor is internally protected from excessive current and temperature.

Compressor is installed in the unit on resilient rubber mounts for vibration free operation.

Compressor Crankcase Heater (-041, -047, -048, -059 & -060 Models)

Protects against refrigerant migration that can occur during low ambient operation.

OPTIONS

Compressor Crankcase Heater (Optional for 018-024-030-036-042)

Protects against refrigerant migration that can occur during low ambient operation.

Compressor Sound Cover

A reinforced vinyl compressor cover containing a 1-1/2 inch thick batt of fiberglass insulation.

All open edges are sealed with a one-inch wide hook and loop fastening tape.



CONTROLS

OPTIONS

Compressor Hard Start Kit

Single-phase units are equipped with a PSC compressor motor. This type of motor normally doesn't need a potential relay and start capacitor.

In conditions such as low voltage, this kit may be required to increase the compressor starting torque.

Compressor Low Ambient Cut-Off

Non-adjustable switch (low ambient cut-out) prevents compressor operation when outdoor temperature is below 35°F.

Compressor Time-Off Control

Kit prevents compressor short-cycling and allows time for suction and discharge pressure to equalize.

Permits compressor start-up in an unloaded condition.

Automatic reset with 5 minute delay between compressor shut-off and start-up.

Indoor Blower Off Delay Relay

Delays the indoor blower-off time during the cooling cycle.

See AHRI System Matches for usage.

Low Ambient Kit

Air conditioners operate satisfactorily down to 45°F outdoor air temperature without any additional controls.

Low Ambient Control Kit can be field installed, allowing unit operation down to 30°F.

Thermostat

Thermostat not furnished with unit. See Thermostat bulletins in Controls Section and Lennox Price Book.

FEATURES

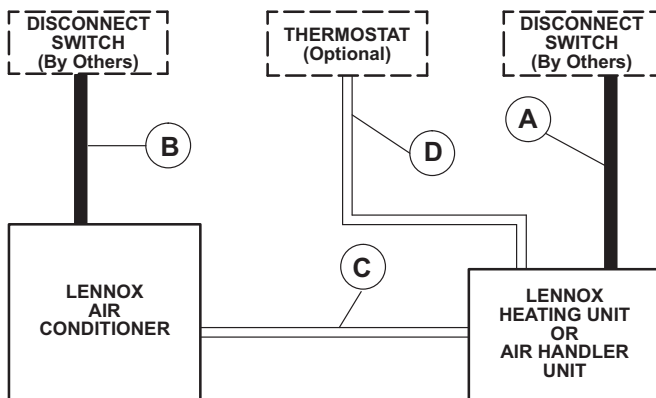
CABINET

- 4 Heavy gauge steel cabinet with five station metal wash process.
- Louvered heavy gauge steel panels surround unit on all four sides to prevent damage to the coil.
- Powder paint finish provides superior rust and corrosion protection.
- Painted base section.
- Control box is conveniently located with all controls factory wired.
- Corner patch plate allows access to compressor components.
- Drainage holes are provided in base section for moisture removal.

5 Refrigerant Line Connections, Electrical Inlets, Service Valves

- Sweat connection suction and liquid lines are located on corner of unit cabinet.
- Fully serviceable brass service valves prevent corrosion and provide access to refrigerant system. Suction valve can be fully shut off, while liquid valve may be front seated to manage refrigerant charge while servicing system.
- Refrigerant line connections and field wiring inlets are located in one central area of cabinet for easy access. See dimension drawing.

FIELD WIRING



- A - Two Wire Power
 B - Two Wire Power (See Electrical Data)
 C - Two Wire Low Voltage (18 ga. minimum)
 D - Four Wire Low Voltage (Electro-Mechanical) 18 ga. minimum.
 Five Wire Low Voltage (Electronic) 18 ga. minimum

NOTE - Field Wiring Not Furnished

All wiring must conform to NEC or CEC and local electrical codes.

OPTIONS

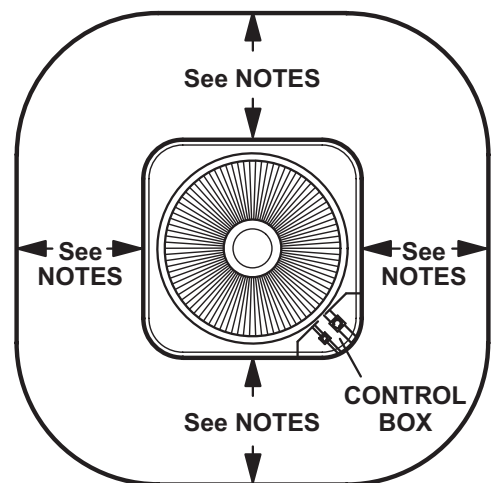
Mounting Base

- Provides permanent foundation for outdoor units.
- High density polyethylene structural material is lightweight, sturdy, sound absorbing and will withstand the rigors of the sun, heat, cold, moisture, oil and refrigerant. Will not mildew or rot.
- Can be shipped singly or in packages of 6 to a carton.

Unit Stand-Off Kit

- Black high density polyethylene feet are available to raise unit off of mounting surface away from damaging moisture.
- Four feet are furnished per order number.

INSTALLATION CLEARANCES - IN. (MM)



NOTES:

- Service clearance of 30 in. (762 mm) must be maintained on one of the sides adjacent to the control box.
- Clearance to one of the other three sides must be 36 in. (914 mm)
- Clearance to one of the remaining two sides may be 12 in. (305 mm) and the final side may be 6 in. (152 mm).
- A clearance of 24 in. must be maintained between two units.
- 48 in. (1219 mm) clearance required on top of unit.

SPECIFICATIONS

General Data		Model No.	14ACX-018	14ACX-024	14ACX-030	14ACX-036	14ACX-041
		Nominal Tonnage	1.5	2	2.5	3	3.5
Connections (sweat)	Liquid line o.d. - in.		3/8	3/8	3/8	3/8	3/8
	Suction line o.d. - in.		3/4	3/4	3/4	7/8	7/8
¹ Refrigerant (R-410A) furnished			5 lbs. 11 oz.	6 lbs. 8 oz.	6 lbs. 11 oz.	6 lbs. 11 oz.	10 lbs. 1 oz.
Outdoor Coil	Net face area sq. ft.	Outer coil	13.22	18.67	21.00	21.00	21.00
		Inner coil	---	---	---	---	20.25
	Tube diameter - in.		5/16	5/16	5/16	5/16	5/16
	Number of rows		1	1	1	1	2
		Fins per inch	26	26	26	26	22
Outdoor Fan	Diameter - in.		18	22	22	22	22
	Number of blades		3	3	3	3	4
	Motor hp		1/10	1/6	1/6	1/6	1/4
	Cfm		2290	3160	3160	3160	3600
	Rpm		1040	850	850	850	825
	Watts		160	215	215	215	310
	Shipping Data - lbs. 1 package			138	166	171	177

ELECTRICAL DATA

Line voltage data - 60 hz - 1ph		208/230V	208/230V	208/230V	208/230V	208/230V
² Maximum overcurrent protection (amps)		20	30	30	30	35
³ Minimum circuit ampacity		12.0	17.9	17.2	18.7	22.8
Compressor	Rated load amps	9.0	13.4	12.9	14.1	16.7
	Locked rotor amps	48	58	64	77	79
	Power factor	0.96	0.97	0.98	0.98	0.97
Condenser Fan Motor	Full load amps	0.7	1.1	1.1	1.1	1.7
	Locked rotor amps	1.4	2.1	2.1	2.1	3.1

OPTIONAL ACCESSORIES - MUST BE ORDERED EXTRA

Compressor Crankcase Heater	93M04	•	•	•	•	
	Factory					•
Compressor Hard Start Kit	10J42	•				
	88M91		•	•	•	•
Compressor Low Ambient Cut-Off	45F08	•	•	•	•	•
Compressor Sound Cover	69J03	•	•	•	•	•
Compressor Time-Off Control	47J27	•	•	•	•	•
Freezestat	3/8 in. tubing 93G35	•	•	•	•	•
	5/8 in. tubing 50A93	•	•	•	•	•
Indoor Blower Off Delay Relay	58M81	•	•	•	•	•
Loss of Charge Switch Kit	84M23	•	•	•	•	•
Low Ambient Kit	34M72	•	•	•	•	•
Mounting Base	69J06	•				
	69J07		•	•	•	•
Refrigerant Line Sets	L15-41-20, L15-41-30, L15-41-40, L15-41-50	•	•	•		
	L15-65-30, L15-65-40, L15-65-50				•	•
Unit Stand-Off Kit	94J45	•	•	•	•	•

NOTE - Extremes of operating range are plus 10% and minus 5% of line voltage.

¹ Refrigerant charge sufficient for 15 ft. length of refrigerant lines.

² HACR type circuit breaker or fuse.

³ Refer to National or Canadian Electrical Code manual to determine wire, fuse and disconnect size requirements.

SPECIFICATIONS

General Data		Model No.	14ACX-042	14ACX-047	14ACX-048	14ACX-059	14ACX-060
		Nominal Tonnage	3.5	4	4	5	5
Connections (sweat)	Liquid line o.d. - in.		3/8	3/8	3/8	3/8	3/8
	Suction line o.d. - in.		7/8	7/8	7/8	1-1/8	1-1/8
¹ Refrigerant (R-410A) furnished			8 lbs. 10 oz.	11 lbs. 3 oz.	10 lbs. 0 oz.	12 lbs. 2 oz.	12 lbs. 0 oz.
Outdoor Coil	Net face area sq. ft.	Outer coil	16.33	22	21.00	24.94	22.00
		Inner coil	15.71	21.33	20.25	24.14	21.33
	Tube diameter - in.		5/16	5/16	5/16	5/16	5/16
	Number of rows		2	2	2	2	2
	Fins per inch		22	22	22	22	22
Outdoor Fan	Diameter - in.		22	26	22	26	26
	Number of blades		4	4	4	4	4
	Motor hp		1/4	1/3	1/4	1/3	1/3
	Cfm		3500	4400	3600	4400	4400
	Rpm		825	825	825	825	825
	Watts		310	310	310	310	310
	Shipping Data - lbs. 1 package			208	250	243	266

ELECTRICAL DATA

Line voltage data - 60 hz - 1ph		208/230V	208/230V	208/230V	208/230V	208/230V
² Maximum overcurrent protection (amps)		40	45	50	50	60
³ Minimum circuit ampacity		24.1	26.7	29.0	33.1	34.8
Compressor	Rated load amps	17.9	19.9	21.8	25	26.4
	Locked rotor amps	112	109	117	134	134
	Power factor	0.94	0.97	0.95	0.98	0.98
Condenser Fan Motor	Full load amps	1.7	1.8	1.7	1.8	1.8
	Locked rotor amps	3.1	2.9	3.1	2.9	2.9

OPTIONAL ACCESSORIES - MUST BE ORDERED EXTRA

Compressor Crankcase Heater	93M04	•				
	Factory		•	•	•	•
Compressor Hard Start Kit	88M91	•	•	•	•	•
Compressor Low Ambient Cut-Off	45F08	•	•	•	•	•
Compressor Sound Cover	69J03	•	•	•	•	•
Compressor Time-Off Control	47J27	•	•	•	•	•
Freezestat	3/8 in. tubing	93G35	•	•	•	•
	5/8 in. tubing	50A93	•	•	•	•
Indoor Blower Off Delay Relay	58M81	•	•	•	•	•
Loss of Charge Switch Kit	84M23	•	•	•	•	•
Low Ambient Kit	34M72	•	•	•	•	•
Mounting Base	69J07	•	•	•	•	•
Refrigerant Line Sets	L15-65-30, L15-65-40, L15-65-50	•	•	•		
	Field Fabricate				•	•
Unit Stand-Off Kit	94J45	•	•	•	•	•

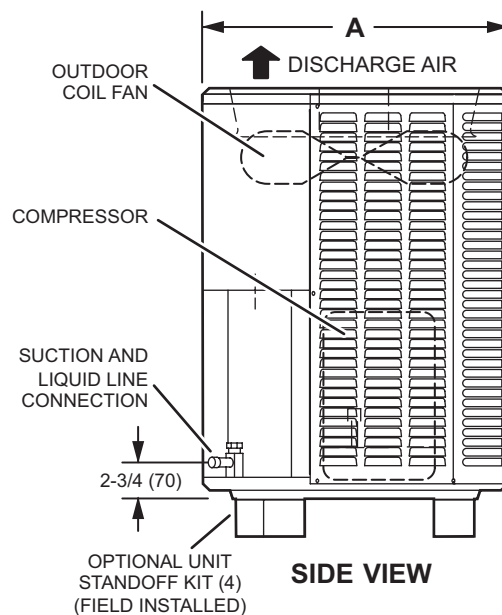
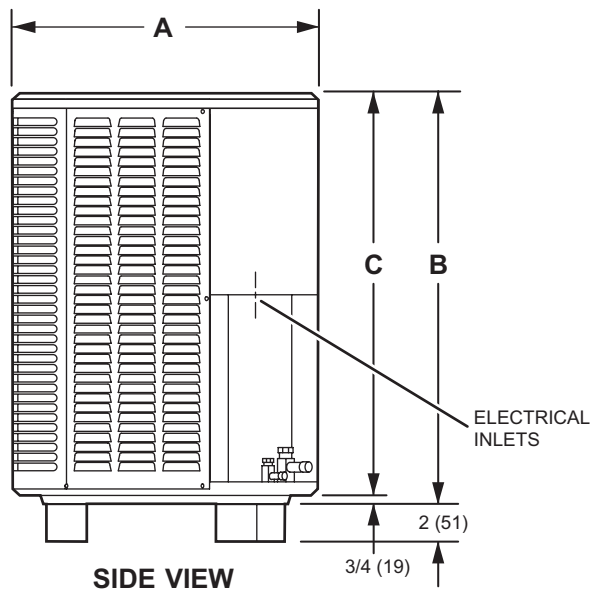
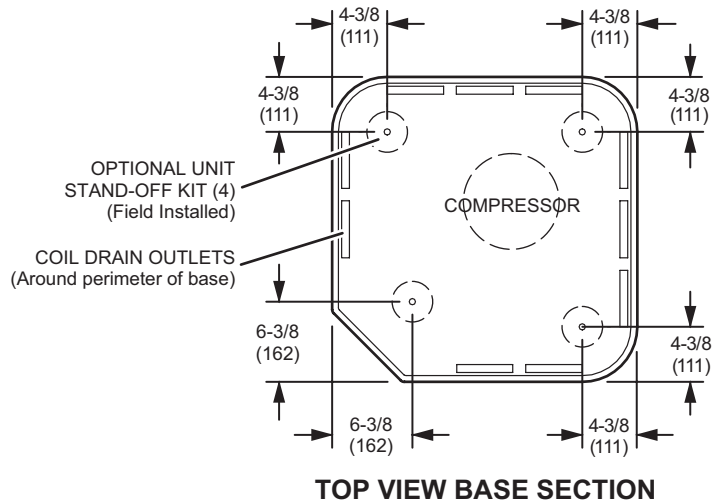
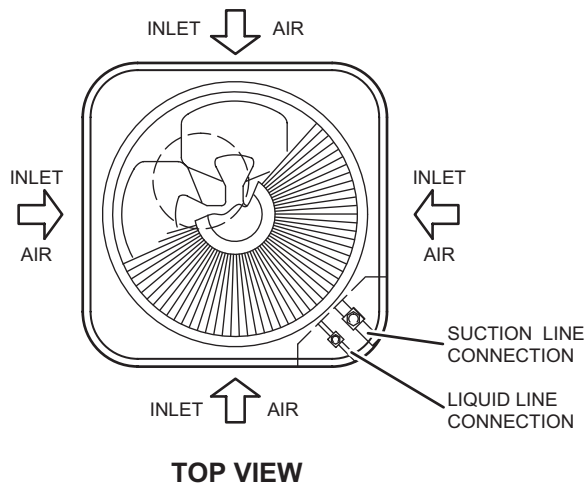
NOTE - Extremes of operating range are plus 10% and minus 5% of line voltage.

¹ Refrigerant charge sufficient for 15 ft. length of refrigerant lines.

² HACR type circuit breaker or fuse.

³ Refer to National or Canadian Electrical Code manual to determine wire, fuse and disconnect size requirements.

DIMENSIONS - INCHES (MM)



Model No.	A		B		C	
	inches	mm	inches	mm	inches	mm
14ACX-018	24-1/4	616	29-1/4	743	28-1/2	724
14ACX-024	28-1/4	718	33-1/4	845	32-1/2	826
14ACX-030	28-1/4	718	37-1/4	946	36-1/2	927
14ACX-036	28-1/4	718	37-1/4	946	36-1/2	927
14ACX-041	28-1/4	718	37-1/4	946	36-1/2	927
14ACX-042	28-1/4	718	29-1/4	743	28-1/2	724
14ACX-047	32-1/4	817	33-1/4	845	32-1/2	826
14ACX-048	28-1/4	718	37-1/4	946	36-1/2	927
14ACX-059	32-1/4	817	37-1/4	946	36-1/2	927
14ACX-060	32-1/4	817	33-1/4	845	32-1/2	826

SOUND DATA

1 Unit Model No.	Octave Band Sound Power Levels dBA, re 10 ⁻¹² Watts Center Frequency - HZ							1 Sound Rating Number (dB)
	125	250	500	1000	2000	4000	8000	
14ACX-018	69.5	70.5	71.0	71.0	69.0	63.5	57.5	76
14ACX-024	69.5	72.0	70.5	70.5	67.5	62.5	57.5	76
14ACX-030	72.5	74.0	74.0	72.0	67.5	61.5	56.5	76
14ACX-036	73.5	75.0	74.0	72.5	67.5	62.5	56.5	76
14ACX-041	76.5	74.0	73.5	73.5	70.0	62.5	58.5	78
14ACX-042	73.5	75.5	74.5	73.5	70.5	64.0	58.5	78
14ACX-047	76.5	77.5	77.5	73.5	69.0	63.5	60.5	80
14ACX-048	76.5	74.0	73.5	73.5	70.0	62.5	58.5	78
14ACX-059	79.5	76.5	76.5	72.5	68.0	63.0	60.5	78
14ACX-060	76.5	77.5	77.5	73.5	69.0	63.5	60.5	80

NOTE - the octave sound power data does not include tonal correction.

¹ Tested according to AHRI Standard 270-2008 test conditions.

REFRIGERANT METERING DEVICES

Model No.	Refrigerant Metering Orifice (RFC)		Thermal Expansion Valve (TXV)
	Order No.	Orifice Size	
14ACX-018	10W94	0.052	37L51
14ACX-024	97M75	0.057	37L51
14ACX-030	97M76	0.063	37L51
14ACX-036	11W02	0.073	39L72
14ACX-041	N/A	N/A	91M02
14ACX-042	97M78	0.076	39L72
14ACX-047	N/A	N/A	91M02
14ACX-048	11W07	0.083	91M02
14ACX-059	N/A	N/A	91M02
14ACX-060	11W11	0.093	91M02

CX34 upflow coils and all Lennox air handlers (except CB26UH "R") are shipped with a factory installed TXV. In most cases, no change out of the valve is needed.

If a change out is required it will be listed in the "TXV SUBSTITUTIONS" table. The correct TXV must be ordered and field installed. C33 coils and all horizontal and downflow coils are shipped without a TXV. The TXV must be ordered and field installed.

MOST POPULAR MATCHES

Outdoor Unit Model No.	Indoor Unit Model No
14ACX-018	CX34-25
14ACX-024	CX34-31
14ACX-030	CX34-31
14ACX-036	CX34-38
14ACX-041	CX34-49
14ACX-042	CX34-49
14ACX-047	CX34-62C
14ACX-048	CX34-62C
14ACX-059	CX34-62C
14ACX-060	CX34-62C

*TXV SUBSTITUTIONS

Indoor Coils/Air Handlers with factory installed expansion valves that require field replacement

Model No.	Indoor Coil or Air Handler	Order No.
14ACX-030	CX34-42	37L51
14ACX-030	CX34-43	37L51
14ACX-030	CBX27UH-036	37L51
14ACX-036	CX34-31	39L72
14ACX-036	CX34-36	39L72
14ACX-036	CX34-38	39L72
14ACX-036	CX34-49	39L72
14ACX-036	CX34-50/60	39L72
14ACX-036	CBX32M-030	39L72
14ACX-036	CBX32M-036	39L72
14ACX-036	CBX32M-042	39L72
14ACX-036	CBX32M-048	39L72
14ACX-036	CBX32MV-036	39L72
14ACX-036	CBX32MV-048	39L72
14ACX-036	CBX40UHV-048	39L72
14ACX-042	CX34-36	39L72
14ACX-042	CX34-38	39L72
14ACX-042	CBX27UH-048	39L72
14ACX-042	CBX32M-036	39L72
14ACX-042	CBX32M-042	39L72
14ACX-042	CBX32M-048	39L72
14ACX-042	CBX32MV-048	39L72
14ACX-042	CBX40UHV-048	39L72
14ACX-048	CX34-43	91M02
14ACX-048	CX34-44/48C	91M02
14ACX-048	CBX32M-042	91M02

*CX34 coils and all air handlers (except CB26UH "R") - the factory installed expansion valve must be replaced with the expansion valve listed (ordered separately). If the combination is not listed above, the factory installed TXV is used.

C33 and CH33 coils and CB26UH "R" air handlers - use the RFC shipped with the outdoor unit or replace the factory installed RFC with the expansion valve listed in the Thermal Expansion Valves Table.

CR33 and CH23 - use the RFC shipped with the outdoor unit or use the expansion valve listed in the Thermal Expansion Valves Table.

AHRI SYSTEM MATCHES

NOTE - For the latest up-to-date system matches please visit the AHRI web site at <http://www.ahridirectory.org>

Model No.	Expansion Device	Capacity	SEER	EER	Coil or Air Handler	Furnace	AHRI Reference
14ACX-018-230	RFC	18,100	13.00	11.50	C33-19		3665941
14ACX-018-230	RFC	18,300	13.50	11.50	C33-25		3665942
14ACX-018-230	RFC	18,500	13.50	12.00	C33-31		3665943
14ACX-018-230	RFC	18,000	13.00	11.50	CH33-19		3665950
14ACX-018-230	RFC	18,000	13.00	11.50	CH33-24/30		3665944
14ACX-018-230	RFC	18,300	13.50	11.50	CH33-25A		3665945
14ACX-018-230	RFC	18,200	13.00	11.50	CH33-25B		3665946
14ACX-018-230	RFC	18,200	13.50	11.50	CH33-36		3665947
14ACX-018-230	RFC	17,800	13.00	11.50	CR33-18		3665948
14ACX-018-230	RFC	19,000	13.00	11.50	CR33-30/36		3665949
14ACX-018-230	TXV	18,200	14.00	11.50	C33-19		3664821
14ACX-018-230	TXV	17,700	13.00	11.00	C33-24		3664822
14ACX-018-230	TXV	18,500	14.00	12.00	C33-25		3664823
14ACX-018-230	TXV	18,000	13.50	11.00	C33-30		3664824
14ACX-018-230	TXV	18,700	14.00	12.00	C33-31		3664825
14ACX-018-230	TXV	18,400	14.00	12.00	CB26UH-018		3664840
14ACX-018-230	TXV	18,400	14.00	12.00	CBX26UH-018		3664845
14ACX-018-230	TXV	19,000	15.00	12.50	CBX27UH-018		3664846
14ACX-018-230	TXV	19,000	15.00	12.50	CBX27UH-024		3664847
14ACX-018-230	TXV	18,400	14.00	12.00	CBX32M-018/024		3664848
14ACX-018-230	TXV	19,100	14.00	12.00	CBX32M-030		3664849
14ACX-018-230	TXV	18,700	15.00	12.50	CBX32MV-018/024		3664850
14ACX-018-230	TXV	18,800	15.00	12.50	CBX32MV-024/030		3664851
14ACX-018-230	TXV	18,700	15.00	12.50	CBX40UHV-024		3664852
14ACX-018-230	TXV	18,800	15.00	12.50	CBX40UHV-030		3664853
14ACX-018-230	TXV	18,600	13.50	11.50	CH33-19		3664826
14ACX-018-230	TXV	18,100	13.50	11.50	CH33-24/30		3664827
14ACX-018-230	TXV	18,600	14.00	12.00	CH33-25A		3664828
14ACX-018-230	TXV	19,200	14.00	11.50	CH33-25B		3664829
14ACX-018-230	TXV	18,400	14.00	11.50	CH33-36A		3664830
14ACX-018-230	TXV	18,400	14.00	11.50	CH33-36B		3664831
14ACX-018-230	TXV	18,000	13.50	11.50	CR33-18		3664832
14ACX-018-230	TXV	18,500	13.50	11.50	CR33-24		3664833
14ACX-018-230	TXV	18,700	14.00	12.00	CR33-30/36		3664834
14ACX-018-230	TXV	17,800	13.00	11.00	CX34-18/24		3664835
14ACX-018-230	TXV	18,200	14.00	11.50	CX34-19		3664836
14ACX-018-230	TXV	18,500	14.20	12.00	CX34-25		3664837
14ACX-018-230	TXV	18,200	13.50	11.00	CX34-30		3664838
14ACX-018-230	TXV	18,700	14.00	12.00	CX34-31		3664839
14ACX-024-230	RFC	23,400	13.50	11.00	C33-19		3665954
14ACX-024-230	RFC	23,400	14.00	12.00	C33-24	G61MPV-36B-045	3665970
14ACX-024-230	RFC	23,400	14.00	12.00	C33-24	G61MPV-36B-070	3665971
14ACX-024-230	RFC	23,400	14.00	12.00	C33-24	G61MPV-36B-071	3665972
14ACX-024-230	RFC	23,400	14.00	12.00	C33-24	G71MPP-36B-070	3666022
14ACX-024-230	RFC	24,400	15.00	12.50	C33-25	G61MPV-36B-045	3665975
14ACX-024-230	RFC	24,400	15.00	12.50	C33-25	G61MPV-36B-070	3665976
14ACX-024-230	RFC	24,400	15.00	12.50	C33-25	G61MPV-36B-071	3665977
14ACX-024-230	RFC	24,400	15.00	12.50	C33-25	G71MPP-36B-070	3666023

NOTES:

TXV = Matched with Thermostatic Expansion Valve.

RFC = Matched with RFC metering device.

Ratings are certified in accordance with USE certification program which is based on AHRI Standard 210/240; 95°F outdoor air temperature, 80°F db / 67°F wb entering evaporator air with 25 ft. of connecting refrigerant lines.

All ratings include the use of a blower time delay relay (TDR). All Lennox variable-speed furnaces and Air Handlers have time delay capabilities. Other Furnaces and Air Handlers may require an optional time delay relay (**58M81**) for field installation. See furnace or air handler specifications to determine if relay is needed.

Also see Expansion Valve Kit Usage Table.

AHRI SYSTEM MATCHES

NOTE - For the latest up-to-date system matches please visit the AHRI web site at <http://www.ahridirectory.org>

Model No.	Expansion Device	Capacity	SEER	EER	Coil or Air Handler	Furnace	AHRI Reference
14ACX-024-230	RFC	23,800	13.50	11.50	C33-25		3665952
14ACX-024-230	RFC	23,800	14.00	12.00	C33-30	G61MPV-36B-045	3665980
14ACX-024-230	RFC	23,800	14.00	12.00	C33-30	G61MPV-36B-070	3665981
14ACX-024-230	RFC	23,800	14.00	12.00	C33-30	G61MPV-36B-071	3665982
14ACX-024-230	RFC	23,800	14.00	12.00	C33-30	G71MPP-36B-070	3666024
14ACX-024-230	RFC	23,200	13.00	11.00	C33-30		3665953
14ACX-024-230	RFC	24,800	15.00	12.50	C33-31	G61MPV-36B-045	3665985
14ACX-024-230	RFC	24,800	15.00	12.50	C33-31	G61MPV-36B-070	3665986
14ACX-024-230	RFC	24,800	15.00	12.50	C33-31	G61MPV-36B-071	3665987
14ACX-024-230	RFC	24,800	15.00	12.50	C33-31	G71MPP-36B-070	3666025
14ACX-024-230	RFC	24,200	14.00	12.00	C33-31		3665951
14ACX-024-230	RFC	24,200	15.00	12.50	C33-36	G61MPV-36B-045	3665990
14ACX-024-230	RFC	24,200	15.00	12.50	C33-36	G61MPV-36B-070	3665991
14ACX-024-230	RFC	24,200	15.00	12.50	C33-36	G61MPV-36B-071	3665992
14ACX-024-230	RFC	24,200	15.00	12.50	C33-36	G71MPP-36B-070	3666026
14ACX-024-230	RFC	23,600	13.50	11.00	C33-36		3665955
14ACX-024-230	RFC	24,600	15.00	12.50	C33-38	G61MPV-36B-045	3666018
14ACX-024-230	RFC	24,600	15.00	12.50	C33-38	G61MPV-36B-070	3666019
14ACX-024-230	RFC	24,600	15.00	12.50	C33-38	G61MPV-36B-071	3666020
14ACX-024-230	RFC	24,600	15.00	12.50	C33-38	G71MPP-36B-070	3666032
14ACX-024-230	RFC	24,200	14.00	12.00	C33-38		3665965
14ACX-024-230	RFC	23,800	13.50	11.50	CH23-41		3665964
14ACX-024-230	RFC	23,400	13.00	11.00	CH33-19		3665958
14ACX-024-230	RFC	23,200	13.00	11.00	CH33-24/30		3665959
14ACX-024-230	RFC	23,800	13.50	11.50	CH33-25A		3665960
14ACX-024-230	RFC	24,400	15.00	12.50	CH33-25B	G61MPV-36B-045	3666003
14ACX-024-230	RFC	24,400	15.00	12.50	CH33-25B	G61MPV-36B-070	3666004
14ACX-024-230	RFC	24,400	15.00	12.50	CH33-25B	G61MPV-36B-071	3666005
14ACX-024-230	RFC	24,400	15.00	12.50	CH33-25B	G71MPP-36B-070	3666029
14ACX-024-230	RFC	23,600	13.50	11.50	CH33-25B		3665961
14ACX-024-230	RFC	24,200	14.00	12.00	CH33-31A		3665962
14ACX-024-230	RFC	25,000	15.00	12.50	CH33-31B	G61MPV-36B-045	3666008
14ACX-024-230	RFC	24,800	15.00	12.50	CH33-31B	G61MPV-36B-070	3666009
14ACX-024-230	RFC	24,800	15.00	12.50	CH33-31B	G61MPV-36B-071	3666010
14ACX-024-230	RFC	24,800	15.00	12.50	CH33-31B	G71MPP-36B-070	3666030
14ACX-024-230	RFC	24,200	14.00	12.00	CH33-31B		3665963
14ACX-024-230	RFC	24,200	15.00	12.50	CH33-36	G61MPV-36B-045	3666013
14ACX-024-230	RFC	24,200	15.00	12.50	CH33-36	G61MPV-36B-070	3666014
14ACX-024-230	RFC	24,200	15.00	12.50	CH33-36	G61MPV-36B-071	3666015
14ACX-024-230	RFC	24,200	15.00	12.50	CH33-36	G71MPP-36B-070	3666031
14ACX-024-230	RFC	23,600	13.50	11.50	CH33-36		3665966
14ACX-024-230	RFC	24,200	14.50	12.00	CR33-24	G61MPV-36B-045	3665996
14ACX-024-230	RFC	24,000	15.00	12.50	CR33-24	G61MPV-36B-070	3665997
14ACX-024-230	RFC	24,000	15.00	12.50	CR33-24	G61MPV-36B-071	3665998
14ACX-024-230	RFC	24,000	15.00	12.50	CR33-24	G71MPP-36B-070	3666028
14ACX-024-230	RFC	23,600	13.00	11.00	CR33-24		3665957
14ACX-024-230	RFC	24,600	15.00	12.50	CR33-30/36	G61MPV-36B-045	3665993
14ACX-024-230	RFC	24,600	15.00	12.50	CR33-30/36	G61MPV-36B-070	3665994

NOTES:

TXV = Matched with Thermostatic Expansion Valve.

RFC = Matched with RFC metering device.

Ratings are certified in accordance with USE certification program which is based on AHRI Standard 210/240; 95°F outdoor air temperature, 80°F db / 67°F wb entering evaporator air with 25 ft. of connecting refrigerant lines.

All ratings include the use of a blower time delay relay (TDR). All Lennox variable-speed furnaces and Air Handlers have time delay capabilities. Other Furnaces and Air Handlers may require an optional time delay relay (**58M81**) for field installation. See furnace or air handler specifications to determine if relay is needed.

Also see Expansion Valve Kit Usage Table.

AHRI SYSTEM MATCHES

NOTE - For the latest up-to-date system matches please visit the AHRI web site at <http://www.ahridirectory.org>

Model No.	Expansion Device	Capacity	SEER	EER	Coil or Air Handler	Furnace	AHRI Reference
14ACX-024-230	RFC	24,600	15.00	12.50	CR33-30/36	G61MPV-36B-071	3665995
14ACX-024-230	RFC	24,600	15.00	12.50	CR33-30/36	G71MPP-36B-070	3666027
14ACX-024-230	RFC	24,000	13.50	11.50	CR33-30/36		3665956
14ACX-024-230	TXV	23,400	13.50	11.50	C33-19		3664864
14ACX-024-230	TXV	23,200	14.50	12.00	C33-24	G61MPV-36B-045	3664927
14ACX-024-230	TXV	23,200	14.50	12.50	C33-24	G61MPV-36B-070	3664928
14ACX-024-230	TXV	23,200	14.50	12.50	C33-24	G71MPP-36B-070	3664929
14ACX-024-230	TXV	22,600	13.00	11.00	C33-24		3664865
14ACX-024-230	TXV	24,400	15.00	12.50	C33-25	G61MPV-36B-045	3664932
14ACX-024-230	TXV	24,400	15.00	12.50	C33-25	G61MPV-36B-070	3664933
14ACX-024-230	TXV	24,400	15.00	12.50	C33-25	G61MPV-36B-071	3664934
14ACX-024-230	TXV	24,400	15.00	12.50	C33-25	G71MPP-36B-070	3664935
14ACX-024-230	TXV	23,800	14.00	11.50	C33-25		3664866
14ACX-024-230	TXV	23,600	15.00	12.50	C33-30	G61MPV-36B-045	3664938
14ACX-024-230	TXV	23,600	15.00	12.50	C33-30	G61MPV-36B-070	3664939
14ACX-024-230	TXV	23,600	15.00	12.50	C33-30	G61MPV-36B-071	3664940
14ACX-024-230	TXV	23,600	15.00	12.50	C33-30	G61MPV-36C-090	3664942
14ACX-024-230	TXV	23,600	15.00	12.50	C33-30	G71MPP-36B-070	3664941
14ACX-024-230	TXV	23,600	15.00	12.50	C33-30	G71MPP-36C-090	3664943
14ACX-024-230	TXV	23,000	13.50	11.50	C33-30		3664867
14ACX-024-230	TXV	24,600	15.00	12.50	C33-31	G61MPV-36B-045	3664946
14ACX-024-230	TXV	24,600	15.00	12.50	C33-31	G61MPV-36B-070	3664947
14ACX-024-230	TXV	24,600	15.00	12.50	C33-31	G61MPV-36B-071	3664948
14ACX-024-230	TXV	24,600	15.00	12.50	C33-31	G71MPP-36B-070	3664949
14ACX-024-230	TXV	24,000	14.00	12.00	C33-31		3664868
14ACX-024-230	TXV	24,200	15.00	12.50	C33-36	G61MPV-36B-045	3664952
14ACX-024-230	TXV	24,200	15.00	12.50	C33-36	G61MPV-36B-070	3664953
14ACX-024-230	TXV	24,200	15.00	12.50	C33-36	G61MPV-36B-071	3664954
14ACX-024-230	TXV	24,000	15.00	12.50	C33-36	G61MPV-36C-090	3664956
14ACX-024-230	TXV	24,200	15.00	12.50	C33-36	G71MPP-36B-070	3664955
14ACX-024-230	TXV	24,000	15.00	12.50	C33-36	G71MPP-36C-090	3664957
14ACX-024-230	TXV	23,600	13.50	11.50	C33-36		3664869
14ACX-024-230	TXV	24,600	15.00	12.50	C33-38	G61MPV-36B-045	3664960
14ACX-024-230	TXV	24,400	15.00	12.50	C33-38	G61MPV-36B-070	3664961
14ACX-024-230	TXV	24,400	15.00	12.50	C33-38	G61MPV-36B-071	3664962
14ACX-024-230	TXV	24,400	15.00	12.50	C33-38	G71MPP-36B-070	3664963
14ACX-024-230	TXV	24,200	14.00	12.00	C33-38		3664870
14ACX-024-230	TXV	23,800	14.00	12.00	CB26UH-024		3664881
14ACX-024-230	TXV	23,800	14.00	12.00	CB26UH-024-R		3664882
14ACX-024-230	TXV	23,800	14.00	12.00	CBX26UH-024		3664880
14ACX-024-230	TXV	24,400	16.00	13.00	CBX27UH-024		3664883
14ACX-024-230	TXV	24,600	16.00	13.00	CBX27UH-030		3664885
14ACX-024-230	TXV	23,600	14.00	11.50	CBX32M-018/024		3664887
14ACX-024-230	TXV	24,200	14.00	12.00	CBX32M-030		3664889
14ACX-024-230	TXV	25,400	14.00	12.00	CBX32M-036		3664891
14ACX-024-230	TXV	24,400	16.00	13.00	CBX32MV-024/030		3696188
14ACX-024-230	TXV	24,800	16.00	13.00	CBX32MV-036		3664893
14ACX-024-230	TXV	24,400	16.00	13.00	CBX40UHV-030		3696189

NOTES:

TXV = Matched with Thermostatic Expansion Valve.

RFC = Matched with RFC metering device.

Ratings are certified in accordance with USE certification program which is based on AHRI Standard 210/240; 95°F outdoor air temperature, 80°F db / 67°F wb entering evaporator air with 25 ft. of connecting refrigerant lines.

All ratings include the use of a blower time delay relay (TDR). All Lennox variable-speed furnaces and Air Handlers have time delay capabilities. Other Furnaces and Air Handlers may require an optional time delay relay (**58M81**) for field installation. See furnace or air handler specifications to determine if relay is needed.

Also see Expansion Valve Kit Usage Table.

AHRI SYSTEM MATCHES

NOTE - For the latest up-to-date system matches please visit the AHRI web site at <http://www.ahridirectory.org>

Model No.	Expansion Device	Capacity	SEER	EER	Coil or Air Handler	Furnace	AHRI Reference
14ACX-024-230	TXV	24,800	16.00	13.00	CBX40UHV-036		3665006
14ACX-024-230	TXV	22,400	13.00	11.00	CH23-31		3664854
14ACX-024-230	TXV	23,600	14.00	11.50	CH23-41		3664855
14ACX-024-230	TXV	23,800	15.50	13.00	CH33-19	SL280UH070V36A	3928641
14ACX-024-230	TXV	23,200	13.50	11.50	CH33-19		3664856
14ACX-024-230	TXV	23,600	15.00	12.50	CH33-24/30	SL280UH070V36A	3928642
14ACX-024-230	TXV	23,200	13.50	11.50	CH33-24/30		3664857
14ACX-024-230	TXV	24,200	15.50	13.00	CH33-25	SL280UH070V36A	3928643
14ACX-024-230	TXV	24,000	16.00	13.00	CH33-25	SL280UH090V36B	3928644
14ACX-024-230	TXV	23,800	14.00	11.50	CH33-25A		3664858
14ACX-024-230	TXV	24,200	15.00	12.50	CH33-25B	G61MPV-36B-045	3664899
14ACX-024-230	TXV	24,200	15.00	12.50	CH33-25B	G61MPV-36B-070	3664900
14ACX-024-230	TXV	24,200	15.00	12.50	CH33-25B	G61MPV-36B-071	3664901
14ACX-024-230	TXV	24,200	15.00	12.50	CH33-25B	G71MPP-36B-070	3664902
14ACX-024-230	TXV	23,600	13.50	11.50	CH33-25B		3664859
14ACX-024-230	TXV	24,800	16.00	13.50	CH33-31	SL280UH070V36A	3928645
14ACX-024-230	TXV	24,600	16.00	13.50	CH33-31	SL280UH090V36B	3928646
14ACX-024-230	TXV	24,200	14.00	12.00	CH33-31A		3664860
14ACX-024-230	TXV	24,800	15.00	12.50	CH33-31B	G61MPV-36B-045	3664905
14ACX-024-230	TXV	24,800	15.00	12.50	CH33-31B	G61MPV-36B-070	3664906
14ACX-024-230	TXV	24,800	15.00	12.50	CH33-31B	G61MPV-36B-071	3664907
14ACX-024-230	TXV	24,800	15.00	12.50	CH33-31B	G71MPP-36B-070	3664908
14ACX-024-230	TXV	24,200	14.00	12.00	CH33-31B		3664861
14ACX-024-230	TXV	24,000	15.50	13.00	CH33-36	SL280UH070V36A	3928647
14ACX-024-230	TXV	24,400	16.00	13.00	CH33-36	SL280UH090V36B	3928648
14ACX-024-230	TXV	23,600	13.50	11.50	CH33-36		3664878
14ACX-024-230	TXV	24,200	15.00	12.50	CH33-36B	G61MPV-36B-045	3664911
14ACX-024-230	TXV	24,200	15.00	12.50	CH33-36B	G61MPV-36B-070	3664912
14ACX-024-230	TXV	24,200	15.00	12.50	CH33-36B	G61MPV-36B-071	3664913
14ACX-024-230	TXV	24,200	15.00	12.50	CH33-36B	G71MPP-36B-070	3664914
14ACX-024-230	TXV	24,000	15.00	12.50	CR33-24	G61MPV-36B-045	3664915
14ACX-024-230	TXV	24,000	15.00	12.50	CR33-24	G61MPV-36B-070	3664916
14ACX-024-230	TXV	24,000	15.00	12.50	CR33-24	G61MPV-36B-071	3664917
14ACX-024-230	TXV	24,000	15.00	12.50	CR33-24	G71MPP-36B-070	3664918
14ACX-024-230	TXV	22,800	14.50	12.00	CR33-24	SL280DF070V36A	3928649
14ACX-024-230	TXV	23,400	13.50	11.50	CR33-24		3664862
14ACX-024-230	TXV	24,600	15.00	12.50	CR33-30/36	G61MPV-36B-045	3664920
14ACX-024-230	TXV	24,600	15.00	12.50	CR33-30/36	G61MPV-36B-070	3664921
14ACX-024-230	TXV	24,600	15.00	12.50	CR33-30/36	G61MPV-36B-071	3664922
14ACX-024-230	TXV	24,600	15.00	12.50	CR33-30/36	G71MPP-36B-070	3664923
14ACX-024-230	TXV	24,400	15.50	13.00	CR33-30/36	SL280DF070V36A	3928651
14ACX-024-230	TXV	24,400	16.00	13.50	CR33-30/36	SL280DF090V48B	3928652
14ACX-024-230	TXV	23,800	14.00	11.50	CR33-30/36		3664863
14ACX-024-230	TXV	23,200	14.50	12.00	CX34-18/24	G61MPV-36B-045	3664967
14ACX-024-230	TXV	23,200	14.50	12.50	CX34-18/24	G61MPV-36B-070	3664968
14ACX-024-230	TXV	23,200	14.50	12.50	CX34-18/24	G71MPP-36B-070	3664969
14ACX-024-230	TXV	23,200	15.00	12.50	CX34-18/24	SL280UH070V36A	3928629
14ACX-024-230	TXV	23,000	15.00	12.50	CX34-18/24	SL280UH090V36B	3928630

NOTES:

TXV = Matched with Thermostatic Expansion Valve.

RFC = Matched with RFC metering device.

Ratings are certified in accordance with USE certification program which is based on AHRI Standard 210/240; 95°F outdoor air temperature, 80°F db / 67°F wb entering evaporator air with 25 ft. of connecting refrigerant lines.

All ratings include the use of a blower time delay relay (TDR). All Lennox variable-speed furnaces and Air Handlers have time delay capabilities. Other Furnaces and Air Handlers may require an optional time delay relay (**58M81**) for field installation. See furnace or air handler specifications to determine if relay is needed.

Also see Expansion Valve Kit Usage Table.

AHRI SYSTEM MATCHES

NOTE - For the latest up-to-date system matches please visit the AHRI web site at <http://www.ahridirectory.org>

Model No.	Expansion Device	Capacity	SEER	EER	Coil or Air Handler	Furnace	AHRI Reference
14ACX-024-230	TXV	22,600	13.00	11.00	CX34-18/24		3664872
14ACX-024-230	TXV	23,800	15.50	13.00	CX34-19	SL280UH070V36A	3928628
14ACX-024-230	TXV	23,400	13.50	11.50	CX34-19		3664871
14ACX-024-230	TXV	24,400	15.00	12.50	CX34-25	G61MPV-36B-045	3664972
14ACX-024-230	TXV	24,400	15.00	12.50	CX34-25	G61MPV-36B-070	3664973
14ACX-024-230	TXV	24,400	15.00	12.50	CX34-25	G61MPV-36B-071	3664974
14ACX-024-230	TXV	24,400	15.00	12.50	CX34-25	G71MPP-36B-070	3664975
14ACX-024-230	TXV	24,200	15.50	13.00	CX34-25	SL280UH070V36A	3928631
14ACX-024-230	TXV	24,000	16.00	13.00	CX34-25	SL280UH090V36B	3928632
14ACX-024-230	TXV	23,800	14.00	11.50	CX34-25		3664873
14ACX-024-230	TXV	23,600	15.00	12.50	CX34-30	G61MPV-36B-045	3664978
14ACX-024-230	TXV	23,600	15.00	12.50	CX34-30	G61MPV-36B-070	3664979
14ACX-024-230	TXV	23,600	15.00	12.50	CX34-30	G61MPV-36B-071	3664980
14ACX-024-230	TXV	23,600	15.00	12.50	CX34-30	G61MPV-36C-090	3664982
14ACX-024-230	TXV	23,600	15.00	12.50	CX34-30	G71MPP-36B-070	3664981
14ACX-024-230	TXV	23,600	15.00	12.50	CX34-30	G71MPP-36C-090	3664983
14ACX-024-230	TXV	23,600	15.00	12.50	CX34-30	SL280UH070V36A	3928633
14ACX-024-230	TXV	23,400	15.00	12.50	CX34-30	SL280UH090V36B	3928634
14ACX-024-230	TXV	23,000	13.50	11.50	CX34-30		3664874
14ACX-024-230	TXV	24,600	15.20	12.00	CX34-31	G61MPV-36B-045	3665001
14ACX-024-230	TXV	24,600	15.20	12.00	CX34-31	G61MPV-36B-070	3665002
14ACX-024-230	TXV	24,600	15.20	12.00	CX34-31	G61MPV-36B-071	3665003
14ACX-024-230	TXV	24,600	15.20	12.00	CX34-31	G71MPP-36B-070	3665004
14ACX-024-230	TXV	24,600	16.00	13.50	CX34-31	SL280UH070V36A	3928635
14ACX-024-230	TXV	24,800	16.00	13.50	CX34-31	SL280UH090V36B	3928636
14ACX-024-230	TXV	24,000	14.25	12.00	CX34-31		3664875
14ACX-024-230	TXV	24,200	15.00	12.50	CX34-36	G61MPV-36B-045	3664986
14ACX-024-230	TXV	24,200	15.00	12.50	CX34-36	G61MPV-36B-070	3664987
14ACX-024-230	TXV	24,200	15.00	12.50	CX34-36	G61MPV-36B-071	3664988
14ACX-024-230	TXV	24,000	15.00	12.50	CX34-36	G61MPV-36C-090	3664990
14ACX-024-230	TXV	24,200	15.00	12.50	CX34-36	G71MPP-36B-070	3664989
14ACX-024-230	TXV	24,000	15.00	12.50	CX34-36	G71MPP-36C-090	3664991
14ACX-024-230	TXV	24,200	15.50	13.00	CX34-36	SL280UH070V36A	3928637
14ACX-024-230	TXV	24,400	16.00	13.00	CX34-36	SL280UH090V36B	3928638
14ACX-024-230	TXV	23,600	13.50	11.50	CX34-36		3664876
14ACX-024-230	TXV	24,600	15.00	12.50	CX34-38	G61MPV-36B-045	3664994
14ACX-024-230	TXV	24,400	15.00	12.50	CX34-38	G61MPV-36B-070	3664995
14ACX-024-230	TXV	24,400	15.00	12.50	CX34-38	G61MPV-36B-071	3664996
14ACX-024-230	TXV	24,400	15.00	12.50	CX34-38	G71MPP-36B-070	3664997
14ACX-024-230	TXV	24,800	16.00	13.50	CX34-38	SL280UH070V36A	3928639
14ACX-024-230	TXV	24,600	16.00	13.50	CX34-38	SL280UH090V36B	3928640
14ACX-024-230	TXV	24,200	14.00	12.00	CX34-38		3664877
14ACX-030-230	RFC	27,600	14.00	12.00	C33-25	G61MPV-36B-045	3666080
14ACX-030-230	RFC	27,800	14.50	12.50	C33-25	G61MPV-36B-070	3666081
14ACX-030-230	RFC	27,800	14.50	12.50	C33-25	G71MPP-36B-070	3666110
14ACX-030-230	RFC	27,400	13.50	11.50	C33-25		3666034
14ACX-030-230	RFC	27,200	13.50	11.50	C33-30	G61MPV-36B-045	3666084
14ACX-030-230	RFC	27,400	14.00	12.00	C33-30	G61MPV-36B-070	3666085

NOTES:

TXV = Matched with Thermostatic Expansion Valve.

RFC = Matched with RFC metering device.

Ratings are certified in accordance with USE certification program which is based on AHRI Standard 210/240; 95°F outdoor air temperature, 80°F db / 67°F wb entering evaporator air with 25 ft. of connecting refrigerant lines.

All ratings include the use of a blower time delay relay (TDR). All Lennox variable-speed furnaces and Air Handlers have time delay capabilities. Other Furnaces and Air Handlers may require an optional time delay relay (**58M81**) for field installation. See furnace or air handler specifications to determine if relay is needed.

Also see Expansion Valve Kit Usage Table.

AHRI SYSTEM MATCHES

NOTE - For the latest up-to-date system matches please visit the AHRI web site at <http://www.ahridirectory.org>

Model No.	Expansion Device	Capacity	SEER	EER	Coil or Air Handler	Furnace	AHRI Reference
14ACX-030-230	RFC	27,400	14.00	12.00	C33-30	G61MPV-36B-071	3666086
14ACX-030-230	RFC	27,400	14.00	12.00	C33-30	G71MPP-36B-070	3666111
14ACX-030-230	RFC	27,000	13.00	11.00	C33-30		3666035
14ACX-030-230	RFC	28,400	14.00	12.00	C33-31	G61MPV-36B-045	3666089
14ACX-030-230	RFC	28,600	15.00	12.50	C33-31	G61MPV-36B-070	3666050
14ACX-030-230	RFC	28,600	15.00	12.50	C33-31	G61MPV-36B-071	3666051
14ACX-030-230	RFC	28,600	15.00	12.50	C33-31	G71MPP-36B-070	3666112
14ACX-030-230	RFC	28,000	13.50	11.50	C33-31		3666033
14ACX-030-230	RFC	27,600	14.00	12.00	C33-36	G61MPV-36B-045	3666054
14ACX-030-230	RFC	27,800	14.00	12.00	C33-36	G61MPV-36B-070	3666055
14ACX-030-230	RFC	27,800	14.00	12.00	C33-36	G61MPV-36B-071	3666056
14ACX-030-230	RFC	27,800	14.00	12.00	C33-36	G71MPP-36B-070	3666113
14ACX-030-230	RFC	27,400	13.50	11.50	C33-36		3666037
14ACX-030-230	RFC	28,200	14.00	12.00	C33-38	G61MPV-36B-045	3666059
14ACX-030-230	RFC	28,400	14.50	12.50	C33-38	G61MPV-36B-070	3666060
14ACX-030-230	RFC	28,400	14.50	12.50	C33-38	G61MPV-36B-071	3666061
14ACX-030-230	RFC	28,400	14.50	12.50	C33-38	G71MPP-36B-070	3666114
14ACX-030-230	RFC	28,200	14.00	12.00	C33-38		3666036
14ACX-030-230	RFC	27,600	14.00	12.00	C33-42	G61MPV-36B-045	3666063
14ACX-030-230	RFC	27,800	14.00	12.00	C33-42	G61MPV-36B-070	3666064
14ACX-030-230	RFC	27,800	14.00	12.00	C33-42	G61MPV-36B-071	3666065
14ACX-030-230	RFC	27,800	14.00	12.00	C33-42	G71MPP-36B-070	3666115
14ACX-030-230	RFC	27,400	13.50	11.50	C33-42		3666038
14ACX-030-230	RFC	28,600	14.50	12.50	C33-43	G61MPV-36B-045	3666067
14ACX-030-230	RFC	28,800	15.00	12.50	C33-43	G61MPV-36B-070	3666068
14ACX-030-230	RFC	28,800	15.00	12.50	C33-43	G61MPV-36B-071	3666069
14ACX-030-230	RFC	28,800	15.00	12.50	C33-43	G71MPP-36B-070	3666116
14ACX-030-230	RFC	28,400	14.00	12.00	C33-43		3666039
14ACX-030-230	RFC	27,000	13.00	11.00	CH33-19		3666042
14ACX-030-230	RFC	27,600	13.50	11.50	CH33-25A		3666043
14ACX-030-230	RFC	27,800	14.00	12.00	CH33-25B	G61MPV-36B-045	3666093
14ACX-030-230	RFC	28,000	14.50	12.50	CH33-25B	G61MPV-36B-070	3666094
14ACX-030-230	RFC	28,000	14.50	12.50	CH33-25B	G61MPV-36B-071	3666095
14ACX-030-230	RFC	28,000	14.50	12.50	CH33-25B	G71MPP-36B-070	3666119
14ACX-030-230	RFC	27,600	13.00	11.00	CH33-25B		3666044
14ACX-030-230	RFC	28,200	14.00	12.00	CH33-31A		3666045
14ACX-030-230	RFC	28,400	14.50	12.50	CH33-31B	G61MPV-36B-045	3666098
14ACX-030-230	RFC	28,600	15.00	12.50	CH33-31B	G61MPV-36B-070	3666099
14ACX-030-230	RFC	28,600	15.00	12.50	CH33-31B	G61MPV-36B-071	3666100
14ACX-030-230	RFC	28,600	15.00	12.50	CH33-31B	G71MPP-36B-070	3666120
14ACX-030-230	RFC	28,200	14.00	12.00	CH33-31B		3666046
14ACX-030-230	RFC	27,400	13.00	11.00	CH33-36A		3666047
14ACX-030-230	RFC	27,600	14.00	12.00	CH33-36B	G61MPV-36B-045	3666103
14ACX-030-230	RFC	27,800	14.50	12.50	CH33-36B	G61MPV-36B-070	3666104
14ACX-030-230	RFC	27,800	14.50	12.50	CH33-36B	G61MPV-36B-071	3666105
14ACX-030-230	RFC	27,800	14.50	12.50	CH33-36B	G71MPP-36B-070	3666121
14ACX-030-230	RFC	27,400	13.00	11.00	CH33-36B		3666048
14ACX-030-230	RFC	28,200	14.00	12.00	CH33-42	G61MPV-36B-045	3666107

NOTES:

TXV = Matched with Thermostatic Expansion Valve.

RFC = Matched with RFC metering device.

Ratings are certified in accordance with USE certification program which is based on AHRI Standard 210/240; 95°F outdoor air temperature, 80°F db / 67°F wb entering evaporator air with 25 ft. of connecting refrigerant lines.

All ratings include the use of a blower time delay relay (TDR). All Lennox variable-speed furnaces and Air Handlers have time delay capabilities. Other Furnaces and Air Handlers may require an optional time delay relay (**58M81**) for field installation. See furnace or air handler specifications to determine if relay is needed.

Also see Expansion Valve Kit Usage Table.

AHRI SYSTEM MATCHES

NOTE - For the latest up-to-date system matches please visit the AHRI web site at <http://www.ahridirectory.org>

Model No.	Expansion Device	Capacity	SEER	EER	Coil or Air Handler	Furnace	AHRI Reference
14ACX-030-230	RFC	28,400	15.00	12.50	CH33-42	G61MPV-36B-070	3666108
14ACX-030-230	RFC	28,400	15.00	12.50	CH33-42	G61MPV-36B-071	3666109
14ACX-030-230	RFC	28,400	15.00	12.50	CH33-42	G71MPP-36B-070	3666122
14ACX-030-230	RFC	28,000	13.50	11.50	CH33-42		3666049
14ACX-030-230	RFC	27,400	13.50	11.50	CR33-24	G61MPV-36B-045	3666075
14ACX-030-230	RFC	27,600	14.00	12.00	CR33-24	G61MPV-36B-070	3666076
14ACX-030-230	RFC	27,600	14.00	12.00	CR33-24	G61MPV-36B-071	3666077
14ACX-030-230	RFC	27,600	14.00	12.00	CR33-24	G71MPP-36B-070	3666118
14ACX-030-230	RFC	27,200	13.00	11.00	CR33-24		3666041
14ACX-030-230	RFC	28,000	14.00	12.00	CR33-30/36	G61MPV-36B-045	3666071
14ACX-030-230	RFC	28,200	15.00	12.50	CR33-30/36	G61MPV-36B-070	3666072
14ACX-030-230	RFC	28,200	15.00	12.50	CR33-30/36	G61MPV-36B-071	3666073
14ACX-030-230	RFC	28,200	15.00	12.50	CR33-30/36	G71MPP-36B-070	3666117
14ACX-030-230	RFC	27,600	13.50	11.50	CR33-30/36		3666040
14ACX-030-230	TXV	27,600	14.50	12.00	C33-25	G61MPV-36B-045	3665110
14ACX-030-230	TXV	28,000	15.00	12.50	C33-25	G61MPV-36B-070	3665111
14ACX-030-230	TXV	28,000	15.00	12.50	C33-25	G61MPV-36B-071	3665113
14ACX-030-230	TXV	28,000	15.00	12.50	C33-25	G71MPP-36B-070	3665112
14ACX-030-230	TXV	27,600	13.50	11.50	C33-25		3665039
14ACX-030-230	TXV	27,000	14.00	11.50	C33-30	G61MPV-36B-045	3665116
14ACX-030-230	TXV	27,200	14.50	12.00	C33-30	G61MPV-36B-070	3665117
14ACX-030-230	TXV	27,200	14.50	12.00	C33-30	G61MPV-36B-071	3665118
14ACX-030-230	TXV	27,400	14.70	12.50	C33-30	G61MPV-36C-090	3665186
14ACX-030-230	TXV	27,200	14.50	12.00	C33-30	G71MPP-36B-070	3665119
14ACX-030-230	TXV	27,400	14.70	12.50	C33-30	G71MPP-36C-090	3665187
14ACX-030-230	TXV	26,800	13.50	11.50	C33-30		3665046
14ACX-030-230	TXV	28,200	15.00	12.50	C33-31	G61MPV-36B-045	3665122
14ACX-030-230	TXV	28,400	15.00	12.50	C33-31	G61MPV-36B-070	3665123
14ACX-030-230	TXV	28,400	15.00	12.50	C33-31	G61MPV-36B-071	3665124
14ACX-030-230	TXV	28,400	15.00	12.50	C33-31	G71MPP-36B-070	3665125
14ACX-030-230	TXV	28,000	14.00	12.00	C33-31		3665040
14ACX-030-230	TXV	27,600	14.50	12.00	C33-36	G61MPV-36B-045	3665128
14ACX-030-230	TXV	27,800	15.00	12.50	C33-36	G61MPV-36B-070	3665129
14ACX-030-230	TXV	27,800	15.00	12.50	C33-36	G61MPV-36B-071	3665130
14ACX-030-230	TXV	27,800	15.20	12.70	C33-36	G61MPV-36C-090	3665132
14ACX-030-230	TXV	27,800	15.00	12.50	C33-36	G71MPP-36B-070	3665131
14ACX-030-230	TXV	27,400	13.50	11.50	C33-36		3665041
14ACX-030-230	TXV	28,200	15.00	12.50	C33-38	G61MPV-36B-045	3665135
14ACX-030-230	TXV	28,400	15.00	12.50	C33-38	G61MPV-36B-070	3665136
14ACX-030-230	TXV	28,400	15.00	12.50	C33-38	G61MPV-36B-071	3665137
14ACX-030-230	TXV	28,400	15.00	12.50	C33-38	G71MPP-36B-070	3665138
14ACX-030-230	TXV	28,200	14.00	12.00	C33-38		3665042
14ACX-030-230	TXV	27,600	14.50	12.00	C33-42	G61MPV-36B-045	3665140
14ACX-030-230	TXV	27,800	15.00	12.50	C33-42	G61MPV-36B-070	3665141
14ACX-030-230	TXV	27,800	15.00	12.50	C33-42	G61MPV-36B-071	3665142
14ACX-030-230	TXV	27,800	15.00	12.50	C33-42	G71MPP-36B-070	3665143
14ACX-030-230	TXV	27,400	13.50	11.50	C33-42		3665043
14ACX-030-230	TXV	28,600	14.50	12.50	C33-43	G61MPV-36B-045	3665145

NOTES:

TXV = Matched with Thermostatic Expansion Valve.

RFC = Matched with RFC metering device.

Ratings are certified in accordance with USE certification program which is based on AHRI Standard 210/240; 95°F outdoor air temperature, 80°F db / 67°F wb entering evaporator air with 25 ft. of connecting refrigerant lines.

All ratings include the use of a blower time delay relay (TDR). All Lennox variable-speed furnaces and Air Handlers have time delay capabilities. Other Furnaces and Air Handlers may require an optional time delay relay (**58M81**) for field installation. See furnace or air handler specifications to determine if relay is needed.

Also see Expansion Valve Kit Usage Table.

AHRI SYSTEM MATCHES

NOTE - For the latest up-to-date system matches please visit the AHRI web site at <http://www.ahridirectory.org>

Model No.	Expansion Device	Capacity	SEER	EER	Coil or Air Handler	Furnace	AHRI Reference
14ACX-030-230	TXV	28,800	15.00	12.50	C33-43	G61MPV-36B-070	3665146
14ACX-030-230	TXV	28,800	15.00	12.50	C33-43	G61MPV-36B-071	3665147
14ACX-030-230	TXV	28,800	15.50	13.00	C33-43	G61MPV-36C-090	3665149
14ACX-030-230	TXV	28,800	15.00	12.50	C33-43	G71MPP-36B-070	3665148
14ACX-030-230	TXV	28,800	15.50	13.00	C33-43	G71MPP-36C-090	3665150
14ACX-030-230	TXV	28,400	14.00	12.00	C33-43		3665044
14ACX-030-230	TXV	28,200	14.00	12.00	C33-48		3853719
14ACX-030-230	TXV	27,800	14.00	12.00	CB26UH-030		3665151
14ACX-030-230	TXV	27,800	14.00	12.00	CB26UH-030-R		3665152
14ACX-030-230	TXV	27,800	14.00	12.00	CBX26UH-030		3665049
14ACX-030-230	TXV	28,400	15.00	12.50	CBX27UH-030		3665050
14ACX-030-230	TXV	28,600	16.00	13.00	CBX27UH-036		3665051
14ACX-030-230	TXV	26,800	13.50	11.50	CBX32M-018/024		3665159
14ACX-030-230	TXV	29,200	14.00	12.00	CBX32M-030		3665052
14ACX-030-230	TXV	29,200	14.00	12.00	CBX32M-036		3665053
14ACX-030-230	TXV	28,200	14.50	12.00	CBX32MV-024/030		3665193
14ACX-030-230	TXV	28,400	15.00	12.50	CBX32MV-036		3665054
14ACX-030-230	TXV	28,400	15.00	12.50	CBX40UHV-036		3665185
14ACX-030-230	TXV	27,600	14.50	12.50	CH33-19	SL280UH070V36A	3928665
14ACX-030-230	TXV	27,000	13.50	11.50	CH33-19		3665023
14ACX-030-230	TXV	27,800	15.00	12.50	CH33-25	G61MPV-36C-090	3665190
14ACX-030-230	TXV	27,800	15.00	12.50	CH33-25	G71MPP-36C-090	3665191
14ACX-030-230	TXV	28,400	15.00	12.50	CH33-25	SL280UH070V36A	3928666
14ACX-030-230	TXV	28,400	15.50	13.00	CH33-25	SL280UH090V36B	3928667
14ACX-030-230	TXV	27,600	14.00	11.50	CH33-25A		3665024
14ACX-030-230	TXV	27,600	14.50	12.00	CH33-25B	G61MPV-36B-045	3665058
14ACX-030-230	TXV	28,000	15.00	12.50	CH33-25B	G61MPV-36B-070	3665059
14ACX-030-230	TXV	28,000	15.00	12.50	CH33-25B	G61MPV-36B-071	3665061
14ACX-030-230	TXV	28,000	15.00	12.50	CH33-25B	G71MPP-36B-070	3665060
14ACX-030-230	TXV	27,400	13.50	11.50	CH33-25B		3665025
14ACX-030-230	TXV	28,800	15.50	13.00	CH33-31	SL280UH070V36A	3928668
14ACX-030-230	TXV	29,200	16.00	13.50	CH33-31	SL280UH090V36B	3928669
14ACX-030-230	TXV	28,200	14.00	12.00	CH33-31A		3665026
14ACX-030-230	TXV	28,400	15.00	12.50	CH33-31B	G61MPV-36B-045	3665064
14ACX-030-230	TXV	28,600	15.00	12.50	CH33-31B	G61MPV-36B-070	3665160
14ACX-030-230	TXV	28,600	15.00	12.50	CH33-31B	G61MPV-36B-071	3665162
14ACX-030-230	TXV	28,600	15.00	12.50	CH33-31B	G71MPP-36B-070	3665161
14ACX-030-230	TXV	28,200	14.00	12.00	CH33-31B		3665027
14ACX-030-230	TXV	28,000	15.00	12.50	CH33-36	SL280UH070V36A	3928670
14ACX-030-230	TXV	28,200	15.50	13.00	CH33-36	SL280UH090V36B	3928671
14ACX-030-230	TXV	27,400	13.50	11.50	CH33-36A		3665028
14ACX-030-230	TXV	27,600	14.50	12.00	CH33-36B	G61MPV-36B-045	3665067
14ACX-030-230	TXV	27,800	15.00	12.50	CH33-36B	G61MPV-36B-070	3665068
14ACX-030-230	TXV	27,800	15.00	12.50	CH33-36B	G61MPV-36B-071	3665070
14ACX-030-230	TXV	27,800	15.00	12.50	CH33-36B	G71MPP-36B-070	3665069
14ACX-030-230	TXV	27,400	13.50	11.50	CH33-36B		3665029
14ACX-030-230	TXV	28,200	15.00	12.50	CH33-42	G61MPV-36B-045	3665072
14ACX-030-230	TXV	28,400	15.00	12.50	CH33-42	G61MPV-36B-070	3665073

NOTES:

TXV = Matched with Thermostatic Expansion Valve.

RFC = Matched with RFC metering device.

Ratings are certified in accordance with USE certification program which is based on AHRI Standard 210/240; 95°F outdoor air temperature, 80°F db / 67°F wb entering evaporator air with 25 ft. of connecting refrigerant lines.

All ratings include the use of a blower time delay relay (TDR). All Lennox variable-speed furnaces and Air Handlers have time delay capabilities. Other Furnaces and Air Handlers may require an optional time delay relay (**58M81**) for field installation. See furnace or air handler specifications to determine if relay is needed.

Also see Expansion Valve Kit Usage Table.

AHRI SYSTEM MATCHES

NOTE - For the latest up-to-date system matches please visit the AHRI web site at <http://www.ahridirectory.org>

Model No.	Expansion Device	Capacity	SEER	EER	Coil or Air Handler	Furnace	AHRI Reference
14ACX-030-230	TXV	28,400	15.00	12.50	CH33-42	G61MPV-36B-071	3665075
14ACX-030-230	TXV	28,400	15.00	12.50	CH33-42	G71MPP-36B-070	3665074
14ACX-030-230	TXV	28,800	16.00	13.00	CH33-42	SL280UH090V36B	3928672
14ACX-030-230	TXV	28,000	14.00	12.00	CH33-42		3665030
14ACX-030-230	TXV	29,600	16.00	13.50	CH33-43	SL280UH090V36B	3928673
14ACX-030-230	TXV	29,000	15.00	12.50	CH33-43C	G61MPV-36C-090	3665076
14ACX-030-230	TXV	29,000	15.00	12.50	CH33-43C	G71MPP-36C-090	3665077
14ACX-030-230	TXV	27,200	14.00	11.50	CR33-24	G61MPV-36B-045	3665079
14ACX-030-230	TXV	27,400	14.50	12.00	CR33-24	G61MPV-36B-070	3665080
14ACX-030-230	TXV	27,400	14.50	12.00	CR33-24	G61MPV-36B-071	3665082
14ACX-030-230	TXV	27,400	14.50	12.00	CR33-24	G71MPP-36B-070	3665081
14ACX-030-230	TXV	25,600	14.00	11.50	CR33-24	SL280DF070V36A	3928674
14ACX-030-230	TXV	25,800	14.00	11.50	CR33-24	SL280DF090V48B	3928675
14ACX-030-230	TXV	27,200	13.50	11.50	CR33-24		3665031
14ACX-030-230	TXV	28,000	14.50	12.00	CR33-30/36	G61MPV-36B-045	3665084
14ACX-030-230	TXV	28,200	15.00	12.50	CR33-30/36	G61MPV-36B-070	3665085
14ACX-030-230	TXV	28,200	15.00	12.50	CR33-30/36	G61MPV-36B-071	3665087
14ACX-030-230	TXV	28,200	15.00	12.50	CR33-30/36	G71MPP-36B-070	3665086
14ACX-030-230	TXV	27,400	15.00	12.50	CR33-30/36	SL280DF070V36A	3928676
14ACX-030-230	TXV	27,600	15.00	13.00	CR33-30/36	SL280DF090V48B	3928677
14ACX-030-230	TXV	27,800	14.00	11.50	CR33-30/36		3665032
14ACX-030-230	TXV	27,600	14.50	12.00	CX34-25	G61MPV-36B-045	3665090
14ACX-030-230	TXV	28,000	15.00	12.50	CX34-25	G61MPV-36B-070	3665091
14ACX-030-230	TXV	28,000	15.00	12.50	CX34-25	G61MPV-36B-071	3665093
14ACX-030-230	TXV	28,000	15.00	12.50	CX34-25	G71MPP-36B-070	3665092
14ACX-030-230	TXV	27,600	13.50	11.50	CX34-25		3665033
14ACX-030-230	TXV	28,200	15.00	12.50	CX34-25	SL280UH070V36A	3928653
14ACX-030-230	TXV	28,200	15.50	13.00	CX34-25	SL280UH090V36B	3928654
14ACX-030-230	TXV	27,000	14.00	11.50	CX34-30	G61MPV-36B-045	3665096
14ACX-030-230	TXV	27,200	14.50	12.00	CX34-30	G61MPV-36B-070	3665097
14ACX-030-230	TXV	27,200	14.50	12.00	CX34-30	G61MPV-36B-071	3665099
14ACX-030-230	TXV	27,400	14.70	12.50	CX34-30	G61MPV-36C-090	3665188
14ACX-030-230	TXV	27,200	14.50	12.00	CX34-30	G71MPP-36B-070	3665098
14ACX-030-230	TXV	27,400	14.70	12.50	CX34-30	G71MPP-36C-090	3665189
14ACX-030-230	TXV	26,800	13.50	11.50	CX34-30		3665034
14ACX-030-230	TXV	27,600	14.50	12.50	CX34-30	SL280UH070V36A	3928655
14ACX-030-230	TXV	27,600	15.00	12.50	CX34-30	SL280UH090V36B	3928656
14ACX-030-230	TXV	28,200	15.00	12.50	CX34-31	G61MPV-36B-045	3665165
14ACX-030-230	TXV	28,400	15.00	12.50	CX34-31	G61MPV-36B-070	3665166
14ACX-030-230	TXV	28,400	15.00	12.50	CX34-31	G61MPV-36B-071	3665168
14ACX-030-230	TXV	28,400	15.00	12.50	CX34-31	G71MPP-36B-070	3665167
14ACX-030-230	TXV	28,000	14.20	12.00	CX34-31		3665035
14ACX-030-230	TXV	28,800	15.50	13.00	CX34-31	SL280UH070V36A	3928657
14ACX-030-230	TXV	29,000	16.00	13.50	CX34-31	SL280UH090V36B	3928658
14ACX-030-230	TXV	27,600	14.50	12.00	CX34-36	G61MPV-36B-045	3665171
14ACX-030-230	TXV	27,800	15.00	12.50	CX34-36	G61MPV-36B-070	3665172
14ACX-030-230	TXV	27,800	15.00	12.50	CX34-36	G61MPV-36B-071	3665174
14ACX-030-230	TXV	27,800	15.20	12.70	CX34-36	G61MPV-36C-090	3665175

NOTES:

TXV = Matched with Thermostatic Expansion Valve.

RFC = Matched with RFC metering device.

Ratings are certified in accordance with USE certification program which is based on AHRI Standard 210/240; 95°F outdoor air temperature, 80°F db / 67°F wb entering evaporator air with 25 ft. of connecting refrigerant lines.

All ratings include the use of a blower time delay relay (TDR). All Lennox variable-speed furnaces and Air Handlers have time delay capabilities. Other Furnaces and Air Handlers may require an optional time delay relay (**58M81**) for field installation. See furnace or air handler specifications to determine if relay is needed.

Also see Expansion Valve Kit Usage Table.

AHRI SYSTEM MATCHES

NOTE - For the latest up-to-date system matches please visit the AHRI web site at <http://www.ahridirectory.org>

Model No.	Expansion Device	Capacity	SEER	EER	Coil or Air Handler	Furnace	AHRI Reference
14ACX-030-230	TXV	27,800	15.00	12.50	CX34-36	G71MPP-36B-070	3665173
14ACX-030-230	TXV	27,400	13.50	11.50	CX34-36		3665036
14ACX-030-230	TXV	28,200	15.00	12.50	CX34-36	SL280UH070V36A	3928659
14ACX-030-230	TXV	28,200	15.50	13.00	CX34-36	SL280UH090V36B	3928660
14ACX-030-230	TXV	28,200	15.00	12.50	CX34-38	G61MPV-36B-045	3665178
14ACX-030-230	TXV	28,400	15.00	12.50	CX34-38	G61MPV-36B-070	3665179
14ACX-030-230	TXV	28,400	15.00	12.50	CX34-38	G61MPV-36B-071	3665181
14ACX-030-230	TXV	28,400	15.00	12.50	CX34-38	G71MPP-36B-070	3665180
14ACX-030-230	TXV	28,200	14.00	12.00	CX34-38		3665045
14ACX-030-230	TXV	29,000	15.50	13.00	CX34-38	SL280UH070V36A	3928661
14ACX-030-230	TXV	29,200	16.00	13.50	CX34-38	SL280UH090V36B	3928662
14ACX-030-230	TXV	27,600	14.50	12.00	CX34-42	G61MPV-36B-045	3665183
14ACX-030-230	TXV	27,800	15.00	12.50	CX34-42	G61MPV-36B-070	3665184
14ACX-030-230	TXV	27,800	15.00	12.50	CX34-42	G61MPV-36B-071	3665101
14ACX-030-230	TXV	27,800	15.00	12.50	CX34-42	G71MPP-36B-070	3665100
14ACX-030-230	TXV	28,200	15.50	13.00	CX34-42	SL280UH090V36B	3928663
14ACX-030-230	TXV	27,400	13.50	11.50	CX34-42		3665037
14ACX-030-230	TXV	28,600	15.00	12.50	CX34-43	G61MPV-36B-045	3665103
14ACX-030-230	TXV	28,800	15.00	12.50	CX34-43	G61MPV-36B-070	3665104
14ACX-030-230	TXV	28,800	15.00	12.50	CX34-43	G61MPV-36B-071	3665106
14ACX-030-230	TXV	28,800	15.50	13.00	CX34-43	G61MPV-36C-090	3665107
14ACX-030-230	TXV	28,800	15.00	12.50	CX34-43	G71MPP-36B-070	3665105
14ACX-030-230	TXV	29,200	16.00	13.50	CX34-43	SL280UH090V36B	3928664
14ACX-030-230	TXV	28,400	14.00	12.00	CX34-43		3665038
14ACX-030-230	TXV	28,200	14.00	12.00	CX34-44/48		3853720
14ACX-036-230	RFC	33,400	14.00	12.00	C33-31	G61MPV-36B-045	3666152
14ACX-036-230	RFC	33,400	14.00	12.00	C33-31	G61MPV-36B-070	3666153
14ACX-036-230	RFC	33,400	14.00	12.00	C33-31	G61MPV-36B-071	3666154
14ACX-036-230	RFC	33,400	14.00	12.00	C33-31	G71MPP-36B-070	3666220
14ACX-036-230	RFC	33,200	13.50	11.50	C33-31		3666124
14ACX-036-230	RFC	32,400	14.00	12.00	C33-36	G61MPV-36B-045	3666142
14ACX-036-230	RFC	32,600	14.00	12.00	C33-36	G61MPV-36B-070	3666143
14ACX-036-230	RFC	32,600	14.00	12.00	C33-36	G61MPV-36B-071	3666144
14ACX-036-230	RFC	32,600	14.00	12.00	C33-36	G71MPP-36B-070	3666218
14ACX-036-230	RFC	32,200	13.00	11.00	C33-36		3666125
14ACX-036-230	RFC	33,400	14.00	12.00	C33-38	G61MPV-36B-045	3666147
14ACX-036-230	RFC	33,400	14.00	12.00	C33-38	G61MPV-36B-070	3666148
14ACX-036-230	RFC	33,400	14.00	12.00	C33-38	G61MPV-36B-071	3666149
14ACX-036-230	RFC	33,400	14.00	12.00	C33-38	G71MPP-36B-070	3666219
14ACX-036-230	RFC	33,400	13.50	11.50	C33-38		3666123
14ACX-036-230	RFC	32,400	14.00	12.00	C33-42	G61MPV-36B-045	3666156
14ACX-036-230	RFC	32,600	14.00	12.00	C33-42	G61MPV-36B-070	3666157
14ACX-036-230	RFC	32,600	14.00	12.00	C33-42	G61MPV-36B-071	3666158
14ACX-036-230	RFC	32,600	14.00	12.00	C33-42	G71MPP-36B-070	3666221
14ACX-036-230	RFC	32,200	13.00	11.00	C33-42		3666126
14ACX-036-230	RFC	33,800	14.50	12.50	C33-43	G61MPV-36B-045	3666160
14ACX-036-230	RFC	33,800	14.50	12.50	C33-43	G61MPV-36B-070	3666161
14ACX-036-230	RFC	33,800	14.50	12.50	C33-43	G61MPV-36B-071	3666162

NOTES:

TXV = Matched with Thermostatic Expansion Valve.

RFC = Matched with RFC metering device.

Ratings are certified in accordance with USE certification program which is based on AHRI Standard 210/240; 95°F outdoor air temperature, 80°F db / 67°F wb entering evaporator air with 25 ft. of connecting refrigerant lines.

All ratings include the use of a blower time delay relay (TDR). All Lennox variable-speed furnaces and Air Handlers have time delay capabilities. Other Furnaces and Air Handlers may require an optional time delay relay (**58M81**) for field installation. See furnace or air handler specifications to determine if relay is needed.

Also see Expansion Valve Kit Usage Table.

AHRI SYSTEM MATCHES

NOTE - For the latest up-to-date system matches please visit the AHRI web site at <http://www.ahridirectory.org>

Model No.	Expansion Device	Capacity	SEER	EER	Coil or Air Handler	Furnace	AHRI Reference
14ACX-036-230	RFC	34,400	15.00	12.50	C33-43	G61MPV-60C-090	3666164
14ACX-036-230	RFC	34,600	15.00	12.50	C33-43	G61MPV-60C-110	3666165
14ACX-036-230	RFC	34,600	15.00	12.50	C33-43	G61MPV-60C-111	3666166
14ACX-036-230	RFC	33,800	14.50	12.50	C33-43	G71MPP-36B-070	3666222
14ACX-036-230	RFC	34,600	15.00	12.50	C33-43	G71MPP-60C-110	3666232
14ACX-036-230	RFC	33,600	13.50	11.50	C33-43		3666127
14ACX-036-230	RFC	33,400	14.00	12.00	C33-48	G61MPV-36B-045	3666168
14ACX-036-230	RFC	33,400	14.00	12.00	C33-48	G61MPV-36B-070	3666169
14ACX-036-230	RFC	33,400	14.00	12.00	C33-48	G61MPV-36B-071	3666170
14ACX-036-230	RFC	33,400	14.00	12.00	C33-48	G71MPP-36B-070	3666223
14ACX-036-230	RFC	33,200	13.50	11.50	C33-48		3666129
14ACX-036-230	RFC	34,600	15.00	12.50	C33-49	G61MPV-60C-090	3666172
14ACX-036-230	RFC	34,800	15.00	12.50	C33-49	G61MPV-60C-110	3666173
14ACX-036-230	RFC	34,800	15.00	12.50	C33-49	G61MPV-60C-111	3666174
14ACX-036-230	RFC	34,800	15.00	12.50	C33-49	G71MPP-60C-110	3666233
14ACX-036-230	RFC	33,800	14.00	12.00	C33-49		3666128
14ACX-036-230	RFC	34,400	15.00	12.50	C33-50/60C	G61MPV-60C-090	3666175
14ACX-036-230	RFC	34,400	15.00	12.50	C33-50/60C	G61MPV-60C-110	3666176
14ACX-036-230	RFC	34,400	15.00	12.50	C33-50/60C	G61MPV-60C-111	3666177
14ACX-036-230	RFC	34,400	15.00	12.50	C33-50/60C	G71MPP-60C-110	3666234
14ACX-036-230	RFC	33,600	13.00	11.00	C33-50/60C		3666130
14ACX-036-230	RFC	33,000	14.50	12.00	CH23-41	G61MPV-36B-045	3666207
14ACX-036-230	RFC	33,000	14.00	12.00	CH23-41	G61MPV-36B-070	3666208
14ACX-036-230	RFC	33,000	14.00	12.00	CH23-41	G61MPV-36B-071	3666209
14ACX-036-230	RFC	33,000	14.00	12.00	CH23-41	G71MPP-36B-070	3666230
14ACX-036-230	RFC	32,600	13.00	11.00	CH23-41		3666138
14ACX-036-230	RFC	33,000	14.00	12.00	CH23-51	G61MPV-36B-045	3666211
14ACX-036-230	RFC	33,200	14.00	12.00	CH23-51	G61MPV-36B-070	3666212
14ACX-036-230	RFC	33,200	14.00	12.00	CH23-51	G61MPV-36B-071	3666213
14ACX-036-230	RFC	33,200	14.00	12.00	CH23-51	G71MPP-36B-070	3666231
14ACX-036-230	RFC	32,600	13.00	11.00	CH23-51		3666139
14ACX-036-230	RFC	33,600	14.00	12.00	CH33-31	G61MPV-36B-045	3666187
14ACX-036-230	RFC	33,600	14.00	12.00	CH33-31	G61MPV-36B-070	3666188
14ACX-036-230	RFC	33,600	14.00	12.00	CH33-31	G61MPV-36B-071	3666189
14ACX-036-230	RFC	33,600	14.00	12.00	CH33-31	G71MPP-36B-070	3666226
14ACX-036-230	RFC	33,400	13.50	11.50	CH33-31		3666133
14ACX-036-230	RFC	32,600	14.00	12.00	CH33-36B	G61MPV-36B-045	3666191
14ACX-036-230	RFC	32,600	14.00	12.00	CH33-36B	G61MPV-36B-070	3666192
14ACX-036-230	RFC	32,600	14.00	12.00	CH33-36B	G61MPV-36B-071	3666193
14ACX-036-230	RFC	32,600	14.00	12.00	CH33-36B	G71MPP-36B-070	3666227
14ACX-036-230	RFC	32,400	13.00	11.00	CH33-36B		3666134
14ACX-036-230	RFC	32,600	13.00	11.00	CH33-36C		3666135
14ACX-036-230	RFC	34,200	14.50	12.00	CH33-43B	G61MPV-36B-045	3666195
14ACX-036-230	RFC	34,400	14.50	12.50	CH33-43B	G61MPV-36B-070	3666196
14ACX-036-230	RFC	34,400	14.50	12.50	CH33-43B	G61MPV-36B-071	3666197
14ACX-036-230	RFC	34,600	15.00	12.50	CH33-43B	G61MPV-60C-090	3666199
14ACX-036-230	RFC	34,600	15.00	12.50	CH33-43B	G61MPV-60C-110	3666200
14ACX-036-230	RFC	34,600	15.00	12.50	CH33-43B	G61MPV-60C-111	3666201

NOTES:

TXV = Matched with Thermostatic Expansion Valve.

RFC = Matched with RFC metering device.

Ratings are certified in accordance with USE certification program which is based on AHRI Standard 210/240; 95°F outdoor air temperature, 80°F db / 67°F wb entering evaporator air with 25 ft. of connecting refrigerant lines.

All ratings include the use of a blower time delay relay (TDR). All Lennox variable-speed furnaces and Air Handlers have time delay capabilities. Other Furnaces and Air Handlers may require an optional time delay relay (**58M81**) for field installation. See furnace or air handler specifications to determine if relay is needed.

Also see Expansion Valve Kit Usage Table.

AHRI SYSTEM MATCHES

NOTE - For the latest up-to-date system matches please visit the AHRI web site at <http://www.ahridirectory.org>

Model No.	Expansion Device	Capacity	SEER	EER	Coil or Air Handler	Furnace	AHRI Reference
14ACX-036-230	RFC	34,400	14.50	12.50	CH33-43B	G71MPP-36B-070	3666228
14ACX-036-230	RFC	34,600	15.00	12.50	CH33-43B	G71MPP-60C-110	3666235
14ACX-036-230	RFC	34,000	14.00	12.00	CH33-43B		3666136
14ACX-036-230	RFC	33,600	14.00	12.00	CH33-44/48	G61MPV-36B-045	3666203
14ACX-036-230	RFC	33,600	14.00	12.00	CH33-44/48	G61MPV-36B-070	3666204
14ACX-036-230	RFC	33,600	14.00	12.00	CH33-44/48	G61MPV-36B-071	3666205
14ACX-036-230	RFC	33,600	14.00	12.00	CH33-44/48	G71MPP-36B-070	3666229
14ACX-036-230	RFC	33,400	13.50	11.50	CH33-44/48		3666137
14ACX-036-230	RFC	34,400	15.00	12.50	CH33-48	G61MPV-60C-090	3666215
14ACX-036-230	RFC	34,400	15.00	12.50	CH33-48	G61MPV-60C-110	3666216
14ACX-036-230	RFC	34,400	15.00	12.50	CH33-48	G61MPV-60C-111	3666217
14ACX-036-230	RFC	34,400	15.00	12.50	CH33-48	G71MPP-60C-110	3666236
14ACX-036-230	RFC	33,600	13.50	11.50	CH33-48		3666140
14ACX-036-230	RFC	32,800	14.00	12.00	CR33-30/36	G61MPV-36B-045	3666179
14ACX-036-230	RFC	32,800	14.00	12.00	CR33-30/36	G61MPV-36B-070	3666180
14ACX-036-230	RFC	32,800	14.00	12.00	CR33-30/36	G61MPV-36B-071	3666181
14ACX-036-230	RFC	32,800	14.00	12.00	CR33-30/36	G71MPP-36B-070	3666224
14ACX-036-230	RFC	32,600	13.50	11.50	CR33-30/36		3666131
14ACX-036-230	RFC	33,400	14.00	12.00	CR33-48	G61MPV-36B-045	3666183
14ACX-036-230	RFC	33,400	14.00	12.00	CR33-48	G61MPV-36B-070	3666184
14ACX-036-230	RFC	33,400	14.00	12.00	CR33-48	G61MPV-36B-071	3666185
14ACX-036-230	RFC	33,400	14.00	12.00	CR33-48	G71MPP-36B-070	3666225
14ACX-036-230	RFC	33,000	13.00	11.00	CR33-48		3666132
14ACX-036-230	TXV	33,800	14.50	12.00	C33-31	G61MPV-36B-045	3665271
14ACX-036-230	TXV	34,000	14.50	12.00	C33-31	G61MPV-36B-070	3665272
14ACX-036-230	TXV	34,000	14.50	12.00	C33-31	G61MPV-36B-071	3665273
14ACX-036-230	TXV	34,000	14.50	12.00	C33-31	G71MPP-36B-070	3665399
14ACX-036-230	TXV	33,600	14.00	11.50	C33-31		3665203
14ACX-036-230	TXV	33,000	14.50	12.00	C33-36	G61MPV-36B-045	3665439
14ACX-036-230	TXV	33,000	14.50	12.00	C33-36	G61MPV-36B-070	3665262
14ACX-036-230	TXV	33,000	14.50	12.00	C33-36	G61MPV-36B-071	3665263
14ACX-036-230	TXV	33,200	14.00	12.00	C33-36	G61MPV-36C-090	3665378
14ACX-036-230	TXV	33,000	14.50	12.00	C33-36	G71MPP-36B-070	3665397
14ACX-036-230	TXV	33,200	14.00	12.00	C33-36	G71MPP-36C-090	3665412
14ACX-036-230	TXV	32,800	13.50	11.50	C33-36		3665204
14ACX-036-230	TXV	33,800	14.50	12.00	C33-38	CBWMV-36B-070	3665381
14ACX-036-230	TXV	33,800	14.50	12.00	C33-38	G61MPV-36B-045	3665266
14ACX-036-230	TXV	33,800	14.50	12.00	C33-38	G61MPV-36B-070	3665267
14ACX-036-230	TXV	33,800	14.50	12.00	C33-38	G61MPV-36B-071	3665268
14ACX-036-230	TXV	33,800	14.50	12.00	C33-38	G71MPP-36B-070	3665398
14ACX-036-230	TXV	34,000	14.00	12.00	C33-38		3665202
14ACX-036-230	TXV	33,000	14.50	12.00	C33-42	G61MPV-36B-045	3665440
14ACX-036-230	TXV	33,000	14.50	12.00	C33-42	G61MPV-36B-070	3665275
14ACX-036-230	TXV	33,000	14.50	12.00	C33-42	G61MPV-36B-071	3665276
14ACX-036-230	TXV	33,000	14.50	12.00	C33-42	G71MPP-36B-070	3665400
14ACX-036-230	TXV	32,800	13.50	11.50	C33-42		3665205
14ACX-036-230	TXV	34,800	15.00	12.50	C33-43	CBWMV-36C-090	3665382
14ACX-036-230	TXV	34,600	15.00	12.50	C33-43	G61MPV-36B-045	3665278

NOTES:

TXV = Matched with Thermostatic Expansion Valve.

RFC = Matched with RFC metering device.

Ratings are certified in accordance with USE certification program which is based on AHRI Standard 210/240; 95°F outdoor air temperature, 80°F db / 67°F wb entering evaporator air with 25 ft. of connecting refrigerant lines.

All ratings include the use of a blower time delay relay (TDR). All Lennox variable-speed furnaces and Air Handlers have time delay capabilities. Other Furnaces and Air Handlers may require an optional time delay relay (**58M81**) for field installation. See furnace or air handler specifications to determine if relay is needed.

Also see Expansion Valve Kit Usage Table.

AHRI SYSTEM MATCHES

NOTE - For the latest up-to-date system matches please visit the AHRI web site at <http://www.ahridirectory.org>

Model No.	Expansion Device	Capacity	SEER	EER	Coil or Air Handler	Furnace	AHRI Reference
14ACX-036-230	TXV	34,600	15.00	12.50	C33-43	G61MPV-36B-070	3665279
14ACX-036-230	TXV	34,600	15.00	12.50	C33-43	G61MPV-36B-071	3665280
14ACX-036-230	TXV	34,800	15.00	12.50	C33-43	G61MPV-36C-090	3665365
14ACX-036-230	TXV	35,200	15.00	12.50	C33-43	G61MPV-60C-090	3665282
14ACX-036-230	TXV	35,200	15.00	12.50	C33-43	G61MPV-60C-110	3665283
14ACX-036-230	TXV	35,200	15.00	12.50	C33-43	G61MPV-60C-111	3665284
14ACX-036-230	TXV	34,600	15.00	12.50	C33-43	G71MPP-36B-070	3665401
14ACX-036-230	TXV	34,800	15.00	12.50	C33-43	G71MPP-36C-090	3665414
14ACX-036-230	TXV	35,200	15.00	12.50	C33-43	G71MPP-60C-110	3665422
14ACX-036-230	TXV	34,600	15.00	12.50	C33-43	O23V3/4-105/120	3665388
14ACX-036-230	TXV	34,400	14.00	12.00	C33-43		3665206
14ACX-036-230	TXV	34,600	15.00	12.50	C33-44C	G61MPV-60C-110	3665385
14ACX-036-230	TXV	34,600	15.00	12.50	C33-44C	G71MPP-60C-110	3665431
14ACX-036-230	TXV	34,000	14.50	12.50	C33-48	G61MPV-36B-045	3665286
14ACX-036-230	TXV	34,000	15.00	12.50	C33-48	G61MPV-36B-070	3665441
14ACX-036-230	TXV	34,000	15.00	12.50	C33-48	G61MPV-36B-071	3665442
14ACX-036-230	TXV	34,200	15.00	12.50	C33-48	G61MPV-36C-090	3665451
14ACX-036-230	TXV	34,600	15.00	12.50	C33-48	G61MPV-60C-090	3665288
14ACX-036-230	TXV	34,600	15.00	12.50	C33-48	G61MPV-60C-091	3665375
14ACX-036-230	TXV	34,600	15.00	12.50	C33-48	G61MPV-60C-110	3665289
14ACX-036-230	TXV	34,600	15.00	12.50	C33-48	G61MPV-60C-111	3665290
14ACX-036-230	TXV	34,000	15.00	12.50	C33-48	G71MPP-36B-070	3665402
14ACX-036-230	TXV	34,600	15.00	12.50	C33-48	G71MPP-60C-110	3665423
14ACX-036-230	TXV	33,800	14.00	11.50	C33-48		3665208
14ACX-036-230	TXV	35,200	15.20	12.70	C33-49	G61MPV-36C-090	3665367
14ACX-036-230	TXV	35,400	15.00	12.50	C33-49	G61MPV-60C-090	3665292
14ACX-036-230	TXV	35,000	15.00	12.50	C33-49	G61MPV-60C-091	3665369
14ACX-036-230	TXV	35,600	15.00	12.50	C33-49	G61MPV-60C-110	3665293
14ACX-036-230	TXV	35,600	15.00	12.50	C33-49	G61MPV-60C-111	3665294
14ACX-036-230	TXV	35,200	15.20	12.70	C33-49	G71MPP-36C-090	3665416
14ACX-036-230	TXV	35,600	15.00	12.50	C33-49	G71MPP-60C-110	3665424
14ACX-036-230	TXV	34,600	14.00	12.00	C33-49		3665207
14ACX-036-230	TXV	34,000	14.00	12.00	C33-50/60C		3665209
14ACX-036-230	TXV	35,000	15.00	12.50	C33-50/60C	G61MPV-60C-090	3665296
14ACX-036-230	TXV	34,600	15.00	12.50	C33-50/60C	G61MPV-60C-091	3665371
14ACX-036-230	TXV	35,000	15.00	12.50	C33-50/60C	G61MPV-60C-110	3665297
14ACX-036-230	TXV	35,000	15.00	12.50	C33-50/60C	G61MPV-60C-111	3665298
14ACX-036-230	TXV	35,000	15.00	12.50	C33-50/60C	G71MPP-60C-110	3665425
14ACX-036-230	TXV	33,400	14.00	12.00	CB26UH-036		3665334
14ACX-036-230	TXV	33,400	14.00	12.00	CB26UH-036-R+39L72		3665364
14ACX-036-230	TXV	33,400	14.00	12.00	CBX26UH-036		3665347
14ACX-036-230	TXV	34,000	15.00	12.50	CBX27UH-036		3665361
14ACX-036-230	TXV	35,000	16.00	13.00	CBX27UH-042		3665362
14ACX-036-230	TXV	33,000	14.00	12.00	CBX32M-030		3665342
14ACX-036-230	TXV	33,600	14.00	12.00	CBX32M-036		3665329
14ACX-036-230	TXV	33,600	14.00	12.00	CBX32M-042		3665340
14ACX-036-230	TXV	34,400	14.00	12.00	CBX32M-048		3665339
14ACX-036-230	TXV	34,000	15.00	12.50	CBX32MV-036		3665445

NOTES:

TXV = Matched with Thermostatic Expansion Valve.

RFC = Matched with RFC metering device.

Ratings are certified in accordance with USE certification program which is based on AHRI Standard 210/240; 95°F outdoor air temperature, 80°F db / 67°F wb entering evaporator air with 25 ft. of connecting refrigerant lines.

All ratings include the use of a blower time delay relay (TDR). All Lennox variable-speed furnaces and Air Handlers have time delay capabilities. Other Furnaces and Air Handlers may require an optional time delay relay (**58M81**) for field installation. See furnace or air handler specifications to determine if relay is needed.

Also see Expansion Valve Kit Usage Table.

AHRI SYSTEM MATCHES

NOTE - For the latest up-to-date system matches please visit the AHRI web site at <http://www.ahridirectory.org>

Model No.	Expansion Device	Capacity	SEER	EER	Coil or Air Handler	Furnace	AHRI Reference
14ACX-036-230	TXV	35,000	16.00	13.00	CBX32MV-048		3665341
14ACX-036-230	TXV	34,000	15.00	12.50	CBX40UHV-036		3665448
14ACX-036-230	TXV	35,000	15.00	12.50	CBX40UHV-042		3665449
14ACX-036-230	TXV	35,000	16.00	13.00	CBX40UHV-048		3665450
14ACX-036-230	TXV	33,400	14.50	12.00	CH23-41	G61MPV-36B-045	3665324
14ACX-036-230	TXV	33,400	14.50	12.00	CH23-41	G61MPV-36B-070	3665325
14ACX-036-230	TXV	33,400	14.50	12.00	CH23-41	G61MPV-36B-071	3665326
14ACX-036-230	TXV	33,400	14.50	12.00	CH23-41	G71MPP-36B-070	3665407
14ACX-036-230	TXV	33,200	13.50	11.50	CH23-41		3665218
14ACX-036-230	TXV	33,600	14.50	12.50	CH23-51	G61MPV-36B-045	3665328
14ACX-036-230	TXV	33,600	15.00	12.50	CH23-51	G61MPV-36B-070	3665443
14ACX-036-230	TXV	33,600	15.00	12.50	CH23-51	G61MPV-36B-071	3665444
14ACX-036-230	TXV	33,600	15.00	12.50	CH23-51	G71MPP-36B-070	3665408
14ACX-036-230	TXV	33,200	13.50	11.50	CH23-51		3665219
14ACX-036-230	TXV	34,200	15.00	12.50	CH33-31	CBWMV-36B-070	3665432
14ACX-036-230	TXV	34,200	14.50	12.00	CH33-31	G61MPV-36B-045	3665308
14ACX-036-230	TXV	34,200	14.50	12.00	CH33-31	G61MPV-36B-070	3665309
14ACX-036-230	TXV	34,200	14.50	12.00	CH33-31	G61MPV-36B-071	3665310
14ACX-036-230	TXV	34,200	14.50	12.00	CH33-31	G71MPP-36B-070	3665405
14ACX-036-230	TXV	34,000	15.00	12.50	CH33-31	SL280UH070V36A	3928701
14ACX-036-230	TXV	34,600	15.50	13.00	CH33-31	SL280UH090V36B	3928702
14ACX-036-230	TXV	34,800	15.50	12.50	CH33-31	SL280UH090V48B	3928703
14ACX-036-230	TXV	34,000	14.00	12.00	CH33-31		3665212
14ACX-036-230	TXV	33,000	14.50	12.00	CH33-36	G61MPV-36B-045	3665447
14ACX-036-230	TXV	33,000	14.50	12.00	CH33-36	G61MPV-36B-070	3665349
14ACX-036-230	TXV	33,000	14.50	12.00	CH33-36	G61MPV-36B-071	3665350
14ACX-036-230	TXV	34,000	15.00	12.50	CH33-36	G61MPV-60C-090	3665352
14ACX-036-230	TXV	34,200	15.00	12.50	CH33-36	G61MPV-60C-110	3665353
14ACX-036-230	TXV	34,200	15.00	12.50	CH33-36	G61MPV-60C-111	3665354
14ACX-036-230	TXV	33,000	14.50	12.00	CH33-36	G71MPP-36B-070	3665410
14ACX-036-230	TXV	34,200	15.00	12.50	CH33-36	G71MPP-60C-110	3665428
14ACX-036-230	TXV	33,000	14.50	12.00	CH33-36	SL280UH070V36A	3928704
14ACX-036-230	TXV	33,400	15.00	12.50	CH33-36	SL280UH090V36B	3928705
14ACX-036-230	TXV	33,800	15.00	12.50	CH33-36	SL280UH090V48B	3928706
14ACX-036-230	TXV	32,800	13.50	11.50	CH33-36B		3665213
14ACX-036-230	TXV	33,200	13.50	11.50	CH33-36C		3665214
14ACX-036-230	TXV	34,400	15.50	13.00	CH33-42	SL280UH090V36B	3928707
14ACX-036-230	TXV	34,400	15.00	12.50	CH33-42	SL280UH090V48B	3928708
14ACX-036-230	TXV	35,000	15.00	12.50	CH33-43	G61MPV-36B-045	3665312
14ACX-036-230	TXV	35,000	15.00	12.50	CH33-43	G61MPV-36B-070	3665313
14ACX-036-230	TXV	35,000	15.00	12.50	CH33-43	G61MPV-36B-071	3665314
14ACX-036-230	TXV	35,200	15.00	12.50	CH33-43	G61MPV-60C-090	3665316
14ACX-036-230	TXV	35,200	15.00	12.50	CH33-43	G61MPV-60C-110	3665317
14ACX-036-230	TXV	35,200	15.00	12.50	CH33-43	G61MPV-60C-111	3665318
14ACX-036-230	TXV	35,000	15.00	12.50	CH33-43	G71MPP-36B-070	3665406
14ACX-036-230	TXV	35,200	15.00	12.50	CH33-43	G71MPP-60C-110	3665426
14ACX-036-230	TXV	35,400	16.00	13.00	CH33-43	SL280UH090V36B	3928709
14ACX-036-230	TXV	35,600	15.50	13.00	CH33-43	SL280UH090V48B	3928710

NOTES:

TXV = Matched with Thermostatic Expansion Valve.

RFC = Matched with RFC metering device.

Ratings are certified in accordance with USE certification program which is based on AHRI Standard 210/240; 95°F outdoor air temperature, 80°F db / 67°F wb entering evaporator air with 25 ft. of connecting refrigerant lines.

All ratings include the use of a blower time delay relay (TDR). All Lennox variable-speed furnaces and Air Handlers have time delay capabilities. Other Furnaces and Air Handlers may require an optional time delay relay (**58M81**) for field installation. See furnace or air handler specifications to determine if relay is needed.

Also see Expansion Valve Kit Usage Table.

AHRI SYSTEM MATCHES

NOTE - For the latest up-to-date system matches please visit the AHRI web site at <http://www.ahridirectory.org>

Model No.	Expansion Device	Capacity	SEER	EER	Coil or Air Handler	Furnace	AHRI Reference
14ACX-036-230	TXV	35,600	16.00	13.00	CH33-43	SL280UH090V60C	3928711
14ACX-036-230	TXV	35,400	15.50	13.00	CH33-43	SL280UH110V60C	3928712
14ACX-036-230	TXV	35,000	14.00	12.00	CH33-43B		3665215
14ACX-036-230	TXV	34,800	15.00	12.50	CH33-43C	G61MPV-36C-090	3665379
14ACX-036-230	TXV	35,200	15.00	12.50	CH33-43C	G61MPV-60C-090	3665380
14ACX-036-230	TXV	34,800	15.00	12.50	CH33-43C	G71MPP-36C-090	3665413
14ACX-036-230	TXV	34,400	14.00	12.00	CH33-43C		3665216
14ACX-036-230	TXV	34,200	14.50	12.00	CH33-44/48	G61MPV-36B-045	3665344
14ACX-036-230	TXV	34,400	14.50	12.50	CH33-44/48	G61MPV-36B-070	3665345
14ACX-036-230	TXV	34,400	14.50	12.50	CH33-44/48	G61MPV-36B-071	3665346
14ACX-036-230	TXV	34,400	14.50	12.50	CH33-44/48	G71MPP-36B-070	3665409
14ACX-036-230	TXV	34,800	15.50	13.00	CH33-44/48	SL280UH090V36B	3928713
14ACX-036-230	TXV	34,000	14.00	12.00	CH33-44/48		3665220
14ACX-036-230	TXV	35,000	15.00	12.50	CH33-48	G61MPV-60C-090	3665320
14ACX-036-230	TXV	35,000	15.00	12.50	CH33-48	G61MPV-60C-110	3665321
14ACX-036-230	TXV	35,000	15.00	12.50	CH33-48	G61MPV-60C-111	3665322
14ACX-036-230	TXV	35,000	15.00	12.50	CH33-48	G71MPP-60C-110	3665427
14ACX-036-230	TXV	34,200	14.00	12.00	CH33-48		3665217
14ACX-036-230	TXV	35,400	15.00	12.50	CH33-50/60C	G61MPV-60C-090	3665390
14ACX-036-230	TXV	35,800	16.00	13.00	CH33-50/60C	SL280UH090V60C	3928714
14ACX-036-230	TXV	35,600	16.00	13.00	CH33-50/60C	SL280UH110V60C	3928715
14ACX-036-230	TXV	33,400	14.00	12.00	CR33-30/36	G61MPV-36B-045	3665300
14ACX-036-230	TXV	33,400	14.50	12.00	CR33-30/36	G61MPV-36B-070	3665301
14ACX-036-230	TXV	33,400	14.50	12.00	CR33-30/36	G61MPV-36B-071	3665302
14ACX-036-230	TXV	34,000	15.00	12.50	CR33-30/36	G61MPV-60C-090	3665358
14ACX-036-230	TXV	34,200	14.50	12.00	CR33-30/36	G61MPV-60C-091	3665453
14ACX-036-230	TXV	34,000	15.00	12.50	CR33-30/36	G61MPV-60C-110	3665359
14ACX-036-230	TXV	34,000	15.00	12.50	CR33-30/36	G61MPV-60C-111	3665360
14ACX-036-230	TXV	33,400	14.50	12.00	CR33-30/36	G71MPP-36B-070	3665403
14ACX-036-230	TXV	34,000	15.00	12.50	CR33-30/36	G71MPP-60C-110	3665430
14ACX-036-230	TXV	33,600	15.00	12.50	CR33-30/36	SL280DF070V36A	3928716
14ACX-036-230	TXV	33,800	15.00	12.50	CR33-30/36	SL280DF090V48B	3928717
14ACX-036-230	TXV	33,200	13.50	11.50	CR33-30/36		3665210
14ACX-036-230	TXV	33,200	14.50	12.00	CR33-48	G61MPV-36B-045	3665304
14ACX-036-230	TXV	33,200	14.50	12.00	CR33-48	G61MPV-36B-070	3665305
14ACX-036-230	TXV	33,200	14.50	12.00	CR33-48	G61MPV-36B-071	3665306
14ACX-036-230	TXV	33,600	15.00	12.50	CR33-48	G61MPV-60C-090	3665355
14ACX-036-230	TXV	33,800	15.00	12.50	CR33-48	G61MPV-60C-110	3665356
14ACX-036-230	TXV	33,800	15.00	12.50	CR33-48	G61MPV-60C-111	3665357
14ACX-036-230	TXV	33,200	14.50	12.00	CR33-48	G71MPP-36B-070	3665404
14ACX-036-230	TXV	33,800	15.00	12.50	CR33-48	G71MPP-60C-110	3665429
14ACX-036-230	TXV	33,800	15.00	12.50	CR33-48	SL280DF090V48B	3928718
14ACX-036-230	TXV	34,200	15.50	13.00	CR33-48	SL280DF110V60C	3928719
14ACX-036-230	TXV	32,800	13.50	11.50	CR33-48		3665211
14ACX-036-230	TXV	33,800	14.50	12.00	CX34-31	G61MPV-36B-045	3665232
14ACX-036-230	TXV	34,000	14.50	12.00	CX34-31	G61MPV-36B-070	3665233
14ACX-036-230	TXV	34,000	14.50	12.00	CX34-31	G61MPV-36B-071	3665234
14ACX-036-230	TXV	34,000	14.50	12.00	CX34-31	G71MPP-36B-070	3665393

NOTES:

TXV = Matched with Thermostatic Expansion Valve.

RFC = Matched with RFC metering device.

Ratings are certified in accordance with USE certification program which is based on AHRI Standard 210/240; 95°F outdoor air temperature, 80°F db / 67°F wb entering evaporator air with 25 ft. of connecting refrigerant lines.

All ratings include the use of a blower time delay relay (TDR). All Lennox variable-speed furnaces and Air Handlers have time delay capabilities. Other Furnaces and Air Handlers may require an optional time delay relay (**58M81**) for field installation. See furnace or air handler specifications to determine if relay is needed.

Also see Expansion Valve Kit Usage Table.

AHRI SYSTEM MATCHES

NOTE - For the latest up-to-date system matches please visit the AHRI web site at <http://www.ahridirectory.org>

Model No.	Expansion Device	Capacity	SEER	EER	Coil or Air Handler	Furnace	AHRI Reference
14ACX-036-230	TXV	34,000	15.00	12.50	CX34-31	SL280UH070V36A	3928678
14ACX-036-230	TXV	34,400	15.50	13.00	CX34-31	SL280UH090V36B	3928679
14ACX-036-230	TXV	34,600	15.00	12.50	CX34-31	SL280UH090V48B	3928680
14ACX-036-230	TXV	33,600	14.00	11.50	CX34-31		3665195
14ACX-036-230	TXV	33,000	14.50	12.00	CX34-36	G61MPV-36B-045	3665435
14ACX-036-230	TXV	33,000	14.50	12.00	CX34-36	G61MPV-36B-070	3665223
14ACX-036-230	TXV	33,000	14.50	12.00	CX34-36	G61MPV-36B-071	3665224
14ACX-036-230	TXV	33,200	14.00	12.00	CX34-36	G61MPV-36C-090	3665377
14ACX-036-230	TXV	33,000	14.50	12.00	CX34-36	G71MPP-36B-070	3665391
14ACX-036-230	TXV	33,200	14.00	12.00	CX34-36	G71MPP-36C-090	3665411
14ACX-036-230	TXV	33,200	15.00	12.50	CX34-36	SL280UH070V36A	3928681
14ACX-036-230	TXV	33,600	15.00	12.50	CX34-36	SL280UH090V36B	3928682
14ACX-036-230	TXV	33,800	15.00	12.50	CX34-36	SL280UH090V48B	3928683
14ACX-036-230	TXV	32,800	13.50	11.50	CX34-36		3665196
14ACX-036-230	TXV	33,800	14.50	12.00	CX34-38	CBWMV-36B-070	3665383
14ACX-036-230	TXV	33,800	14.50	12.00	CX34-38	G61MPV-36B-045	3665227
14ACX-036-230	TXV	33,800	14.50	12.00	CX34-38	G61MPV-36B-070	3665228
14ACX-036-230	TXV	33,800	14.50	12.00	CX34-38	G61MPV-36B-071	3665229
14ACX-036-230	TXV	33,800	14.50	12.00	CX34-38	G71MPP-36B-070	3665392
14ACX-036-230	TXV	34,400	15.50	12.50	CX34-38	SL280UH070V36A	3928684
14ACX-036-230	TXV	34,800	16.00	13.00	CX34-38	SL280UH090V36B	3928685
14ACX-036-230	TXV	35,000	15.50	13.00	CX34-38	SL280UH090V48B	3928686
14ACX-036-230	TXV	34,000	14.30	12.00	CX34-38		3665194
14ACX-036-230	TXV	33,000	14.50	12.00	CX34-42	G61MPV-36B-045	3665436
14ACX-036-230	TXV	33,000	14.50	12.00	CX34-42	G61MPV-36B-070	3665236
14ACX-036-230	TXV	33,000	14.50	12.00	CX34-42	G61MPV-36B-071	3665237
14ACX-036-230	TXV	33,000	14.50	12.00	CX34-42	G71MPP-36B-070	3665394
14ACX-036-230	TXV	33,600	15.00	12.50	CX34-42	SL280UH090V36B	3928687
14ACX-036-230	TXV	33,800	15.00	12.50	CX34-42	SL280UH090V48B	3928688
14ACX-036-230	TXV	32,800	13.50	11.50	CX34-42		3665197
14ACX-036-230	TXV	34,800	15.00	12.50	CX34-43	CBWMV-36C-090	3665384
14ACX-036-230	TXV	34,600	15.00	12.50	CX34-43	G61MPV-36B-045	3665239
14ACX-036-230	TXV	34,600	15.00	12.50	CX34-43	G61MPV-36B-070	3665240
14ACX-036-230	TXV	34,600	15.00	12.50	CX34-43	G61MPV-36B-071	3665241
14ACX-036-230	TXV	34,800	15.00	12.50	CX34-43	G61MPV-36C-090	3665366
14ACX-036-230	TXV	35,200	15.00	12.50	CX34-43	G61MPV-60C-090	3665243
14ACX-036-230	TXV	35,200	15.00	12.50	CX34-43	G61MPV-60C-110	3665244
14ACX-036-230	TXV	35,200	15.00	12.50	CX34-43	G61MPV-60C-111	3665245
14ACX-036-230	TXV	34,600	15.00	12.50	CX34-43	G71MPP-36B-070	3665395
14ACX-036-230	TXV	34,800	15.00	12.50	CX34-43	G71MPP-36C-090	3665415
14ACX-036-230	TXV	35,200	15.00	12.50	CX34-43	G71MPP-60C-110	3665418
14ACX-036-230	TXV	34,600	15.00	12.50	CX34-43	O23V3/4-105/120	3665389
14ACX-036-230	TXV	34,800	16.00	13.00	CX34-43	SL280UH090V36B	3928689
14ACX-036-230	TXV	35,000	16.00	13.00	CX34-43	SL280UH090V48B	3928690
14ACX-036-230	TXV	35,400	16.00	13.00	CX34-43	SL280UH090V60C	3928691
14ACX-036-230	TXV	35,200	15.50	13.00	CX34-43	SL280UH110V60C	3928692
14ACX-036-230	TXV	34,400	14.00	12.00	CX34-43		3665198
14ACX-036-230	TXV	34,000	14.50	12.50	CX34-44/48	G61MPV-36B-045	3665247

NOTES:

TXV = Matched with Thermostatic Expansion Valve.

RFC = Matched with RFC metering device.

Ratings are certified in accordance with USE certification program which is based on AHRI Standard 210/240; 95°F outdoor air temperature, 80°F db / 67°F wb entering evaporator air with 25 ft. of connecting refrigerant lines.

All ratings include the use of a blower time delay relay (TDR). All Lennox variable-speed furnaces and Air Handlers have time delay capabilities. Other Furnaces and Air Handlers may require an optional time delay relay (**58M81**) for field installation. See furnace or air handler specifications to determine if relay is needed.

Also see Expansion Valve Kit Usage Table.

AHRI SYSTEM MATCHES

NOTE - For the latest up-to-date system matches please visit the AHRI web site at <http://www.ahridirectory.org>

Model No.	Expansion Device	Capacity	SEER	EER	Coil or Air Handler	Furnace	AHRI Reference
14ACX-036-230	TXV	34,000	15.00	12.50	CX34-44/48	G61MPV-36B-070	3665437
14ACX-036-230	TXV	34,000	15.00	12.50	CX34-44/48	G61MPV-36B-071	3665438
14ACX-036-230	TXV	34,200	15.00	12.50	CX34-44/48	G61MPV-36C-090	3665452
14ACX-036-230	TXV	34,600	15.00	12.50	CX34-44/48	G61MPV-60C-090	3665249
14ACX-036-230	TXV	34,600	15.00	12.50	CX34-44/48	G61MPV-60C-091	3665376
14ACX-036-230	TXV	34,600	15.00	12.50	CX34-44/48	G61MPV-60C-110	3665250
14ACX-036-230	TXV	34,600	15.00	12.50	CX34-44/48	G61MPV-60C-111	3665251
14ACX-036-230	TXV	34,000	15.00	12.50	CX34-44/48	G71MPP-36B-070	3665396
14ACX-036-230	TXV	34,600	15.00	12.50	CX34-44/48	G71MPP-60C-110	3665419
14ACX-036-230	TXV	34,400	15.50	13.00	CX34-44/48	SL280UH090V36B	3928693
14ACX-036-230	TXV	34,600	15.50	13.00	CX34-44/48	SL280UH090V48B	3928694
14ACX-036-230	TXV	35,000	15.50	13.00	CX34-44/48	SL280UH090V60C	3928695
14ACX-036-230	TXV	34,800	15.50	13.00	CX34-44/48	SL280UH110V60C	3928696
14ACX-036-230	TXV	33,800	14.00	11.50	CX34-44/48		3665200
14ACX-036-230	TXV	35,200	15.20	12.70	CX34-49	G61MPV-36C-090	3665368
14ACX-036-230	TXV	35,400	15.00	12.50	CX34-49	G61MPV-60C-090	3665253
14ACX-036-230	TXV	35,000	15.00	12.50	CX34-49	G61MPV-60C-091	3665370
14ACX-036-230	TXV	35,600	15.00	12.50	CX34-49	G61MPV-60C-110	3665254
14ACX-036-230	TXV	35,600	15.00	12.50	CX34-49	G61MPV-60C-111	3665255
14ACX-036-230	TXV	35,200	15.20	12.70	CX34-49	G71MPP-36C-090	3665417
14ACX-036-230	TXV	35,600	15.00	12.50	CX34-49	G71MPP-60C-110	3665420
14ACX-036-230	TXV	35,800	16.00	13.00	CX34-49	SL280UH090V60C	3928697
14ACX-036-230	TXV	35,400	15.50	13.00	CX34-49	SL280UH110V60C	3928698
14ACX-036-230	TXV	34,600	14.00	12.00	CX34-49		3665199
14ACX-036-230	TXV	35,000	15.00	12.50	CX34-50/60C	G61MPV-60C-090	3665257
14ACX-036-230	TXV	34,600	15.00	12.50	CX34-50/60C	G61MPV-60C-091	3665372
14ACX-036-230	TXV	35,000	15.00	12.50	CX34-50/60C	G61MPV-60C-110	3665258
14ACX-036-230	TXV	35,000	15.00	12.50	CX34-50/60C	G61MPV-60C-111	3665259
14ACX-036-230	TXV	35,000	15.00	12.50	CX34-50/60C	G71MPP-60C-110	3665421
14ACX-036-230	TXV	35,400	16.00	13.00	CX34-50/60C	SL280UH090V60C	3928699
14ACX-036-230	TXV	35,200	15.50	13.00	CX34-50/60C	SL280UH110V60C	3928700
14ACX-036-230	TXV	34,000	14.00	12.00	CX34-50/60C		3665201
14ACX-041-230	TXV	38,500	16.00	13.00	C33-43	G61MPV-60C-090	3869091
14ACX-041-230	TXV	39,000	16.00	13.00	C33-43	G61MPV-60C-110	3869092
14ACX-041-230	TXV	39,000	16.00	13.00	C33-43	SL280UH090V60C	3869093
14ACX-041-230	TXV	39,000	16.00	13.00	C33-43	SL280UH110V60C	3869094
14ACX-041-230	TXV	37,800	14.50	12.00	C33-43		3869095
14ACX-041-230	TXV	38,500	14.50	12.50	C33-49		3869096
14ACX-041-230	TXV	38,500	16.00	13.00	CBX27UH-048		3869097
14ACX-041-230	TXV	38,500	16.00	13.00	CBX32MV-048		3869098
14ACX-041-230	TXV	38,500	16.00	13.00	CBX40UHV-048		3869099
14ACX-041-230	TXV	40,000	16.00	13.00	CH33-43B	SL280UH090V48B	3869100
14ACX-041-230	TXV	39,000	16.00	13.00	CH33-43C	G61MPV-60C-090	3869102
14ACX-041-230	TXV	39,000	16.00	13.00	CH33-43C	G61MPV-60C-110	3869103
14ACX-041-230	TXV	39,500	16.00	13.00	CH33-43C	SL280UH090V60C	3869104
14ACX-041-230	TXV	39,000	16.00	13.00	CH33-43C	SL280UH110V60C	3869105
14ACX-041-230	TXV	37,000	16.00	13.00	CR33-50/60	G61MPV-60C-090	3869108
14ACX-041-230	TXV	36,800	16.00	13.00	CR33-50/60	G61MPV-60C-091	3869109

NOTES:

TXV = Matched with Thermostatic Expansion Valve.

RFC = Matched with RFC metering device.

Ratings are certified in accordance with USE certification program which is based on AHRI Standard 210/240; 95°F outdoor air temperature, 80°F db / 67°F wb entering evaporator air with 25 ft. of connecting refrigerant lines.

All ratings include the use of a blower time delay relay (TDR). All Lennox variable-speed furnaces and Air Handlers have time delay capabilities. Other Furnaces and Air Handlers may require an optional time delay relay (**58M81**) for field installation. See furnace or air handler specifications to determine if relay is needed.

Also see Expansion Valve Kit Usage Table.

AHRI SYSTEM MATCHES

NOTE - For the latest up-to-date system matches please visit the AHRI web site at <http://www.ahridirectory.org>

Model No.	Expansion Device	Capacity	SEER	EER	Coil or Air Handler	Furnace	AHRI Reference
14ACX-041-230	TXV	36,800	16.00	13.00	CR33-50/60	G61MPV-60C-110	3869110
14ACX-041-230	TXV	36,800	16.00	13.00	CR33-50/60	G61MPV-60C-111	3869111
14ACX-041-230	TXV	37,000	16.00	13.00	CR33-50/60	G71MPP-60C-090	3869112
14ACX-041-230	TXV	36,800	16.00	13.00	CR33-50/60	G71MPP-60C-110	3869113
14ACX-041-230	TXV	37,200	16.00	13.00	CR33-50/60	SL280DF090V60C	3869114
14ACX-041-230	TXV	37,200	16.00	13.00	CR33-50/60	SL280DF110V60C	3869166
14ACX-041-230	TXV	38,500	16.00	13.00	CX34-43	G61MPV-60C-090	3869116
14ACX-041-230	TXV	39,000	16.00	13.00	CX34-43	G61MPV-60C-110	3869117
14ACX-041-230	TXV	39,000	16.00	13.00	CX34-43	SL280UH090V60C	3869118
14ACX-041-230	TXV	39,000	16.00	13.00	CX34-43	SL280UH110V60C	3869119
14ACX-041-230	TXV	37,800	14.50	12.00	CX34-43		3869120
14ACX-041-230	TXV	38,500	14.50	12.50	CX34-49		3869121
14ACX-042-230	RFC	39,000	13.50	11.50	C33-36	G61MPV-60C-090	3666255
14ACX-042-230	RFC	39,500	13.50	11.50	C33-36	G61MPV-60C-091	3666257
14ACX-042-230	RFC	39,500	13.50	11.50	C33-36	G61MPV-60C-110	3666256
14ACX-042-230	RFC	39,500	13.50	11.50	C33-36	G61MPV-60C-111	3666258
14ACX-042-230	RFC	39,500	13.50	11.50	C33-36	G71MPP-60C-110	3666333
14ACX-042-230	RFC	39,000	13.00	11.00	C33-36		3666239
14ACX-042-230	RFC	40,000	13.50	11.50	C33-38	G61MPV-36B-070	3666260
14ACX-042-230	RFC	40,000	13.50	11.50	C33-38	G71MPP-36B-070	3666330
14ACX-042-230	RFC	40,000	13.00	11.00	C33-38		3666240
14ACX-042-230	RFC	40,000	13.00	11.00	C33-38B		3666252
14ACX-042-230	RFC	38,500	13.00	11.00	C33-42	G61MPV-36B-070	3666262
14ACX-042-230	RFC	38,500	13.00	11.00	C33-42	G61MPV-36B-071	3666263
14ACX-042-230	RFC	38,500	13.00	11.00	C33-42	G71MPP-36B-070	3666331
14ACX-042-230	RFC	39,000	13.00	11.00	C33-42		3666241
14ACX-042-230	RFC	40,500	14.00	12.00	C33-43	G61MPV-36B-070	3666265
14ACX-042-230	RFC	40,500	14.00	12.00	C33-43	G61MPV-36B-071	3666266
14ACX-042-230	RFC	41,000	14.50	12.50	C33-43	G61MPV-60C-090	3666269
14ACX-042-230	RFC	41,500	14.00	12.00	C33-43	G61MPV-60C-091	3666271
14ACX-042-230	RFC	41,500	14.50	12.50	C33-43	G61MPV-60C-110	3666270
14ACX-042-230	RFC	41,500	14.50	12.50	C33-43	G61MPV-60C-111	3666272
14ACX-042-230	RFC	40,500	14.00	12.00	C33-43	G71MPP-36B-070	3666332
14ACX-042-230	RFC	41,500	14.50	12.50	C33-43	G71MPP-60C-110	3666334
14ACX-042-230	RFC	40,500	13.50	11.50	C33-43		3666242
14ACX-042-230	RFC	40,500	14.00	12.00	C33-48	G61MPV-60C-090	3666275
14ACX-042-230	RFC	40,500	14.00	12.00	C33-48	G61MPV-60C-091	3666277
14ACX-042-230	RFC	40,500	14.00	12.00	C33-48	G61MPV-60C-110	3666276
14ACX-042-230	RFC	40,500	14.00	12.00	C33-48	G61MPV-60C-111	3666278
14ACX-042-230	RFC	40,500	14.00	12.00	C33-48	G71MPP-60C-110	3666335
14ACX-042-230	RFC	40,000	13.00	11.00	C33-48		3666243
14ACX-042-230	RFC	40,500	15.00	12.50	C33-49	G61MPV-60C-090	3666281
14ACX-042-230	RFC	40,500	14.50	12.50	C33-49	G61MPV-60C-091	3666283
14ACX-042-230	RFC	40,500	15.00	12.50	C33-49	G61MPV-60C-110	3666282
14ACX-042-230	RFC	40,500	15.00	12.50	C33-49	G61MPV-60C-111	3666284
14ACX-042-230	RFC	40,500	15.00	12.50	C33-49	G71MPP-60C-110	3666336
14ACX-042-230	RFC	41,000	13.50	11.50	C33-49		3666238
14ACX-042-230	RFC	41,000	14.00	12.00	C33-50/60C	G61MPV-60C-090	3666287

NOTES:

TXV = Matched with Thermostatic Expansion Valve.

RFC = Matched with RFC metering device.

Ratings are certified in accordance with USE certification program which is based on AHRI Standard 210/240; 95°F outdoor air temperature, 80°F db / 67°F wb entering evaporator air with 25 ft. of connecting refrigerant lines.

All ratings include the use of a blower time delay relay (TDR). All Lennox variable-speed furnaces and Air Handlers have time delay capabilities. Other Furnaces and Air Handlers may require an optional time delay relay (**58M81**) for field installation. See furnace or air handler specifications to determine if relay is needed.

Also see Expansion Valve Kit Usage Table.

AHRI SYSTEM MATCHES

NOTE - For the latest up-to-date system matches please visit the AHRI web site at <http://www.ahridirectory.org>

Model No.	Expansion Device	Capacity	SEER	EER	Coil or Air Handler	Furnace	AHRI Reference
14ACX-042-230	RFC	41,000	14.00	12.00	C33-50/60C	G61MPV-60C-091	3666289
14ACX-042-230	RFC	41,000	14.00	12.00	C33-50/60C	G61MPV-60C-110	3666288
14ACX-042-230	RFC	41,000	14.00	12.00	C33-50/60C	G61MPV-60C-111	3666290
14ACX-042-230	RFC	41,000	14.00	12.00	C33-50/60C	G71MPP-60C-110	3666337
14ACX-042-230	RFC	40,500	13.50	11.50	C33-50/60C		3666244
14ACX-042-230	RFC	41,000	15.00	12.50	C33-62C	G61MPV-60C-090	3666326
14ACX-042-230	RFC	41,000	15.00	12.50	C33-62C	G61MPV-60C-091	3666328
14ACX-042-230	RFC	41,000	15.00	12.50	C33-62C	G61MPV-60C-110	3666327
14ACX-042-230	RFC	41,000	15.00	12.50	C33-62C	G61MPV-60C-111	3666329
14ACX-042-230	RFC	41,000	15.00	12.50	C33-62C	G71MPP-60C-110	3666343
14ACX-042-230	RFC	41,500	14.00	12.00	C33-62C		3666251
14ACX-042-230	RFC	41,500	14.50	12.50	CH33-43	G61MPV-60C-090	3666302
14ACX-042-230	RFC	41,500	14.00	12.00	CH33-43	G61MPV-60C-091	3666304
14ACX-042-230	RFC	41,500	14.50	12.50	CH33-43	G61MPV-60C-110	3666303
14ACX-042-230	RFC	41,500	14.50	12.50	CH33-43	G61MPV-60C-111	3666305
14ACX-042-230	RFC	41,500	14.50	12.50	CH33-43	G71MPP-60C-110	3666339
14ACX-042-230	RFC	41,000	13.50	11.50	CH33-43		3666247
14ACX-042-230	RFC	41,000	14.00	12.00	CH33-48	G61MPV-60C-090	3666308
14ACX-042-230	RFC	41,000	14.00	12.00	CH33-48	G61MPV-60C-091	3666310
14ACX-042-230	RFC	41,000	14.50	12.50	CH33-48	G61MPV-60C-110	3666309
14ACX-042-230	RFC	41,000	14.00	12.00	CH33-48	G61MPV-60C-111	3666311
14ACX-042-230	RFC	41,000	14.00	12.00	CH33-48	G71MPP-60C-090	3666345
14ACX-042-230	RFC	41,000	14.50	12.50	CH33-48	G71MPP-60C-110	3666340
14ACX-042-230	RFC	40,500	13.50	11.50	CH33-48		3666248
14ACX-042-230	RFC	41,500	14.50	12.50	CH33-49	G61MPV-60C-090	3666314
14ACX-042-230	RFC	42,000	14.00	12.00	CH33-49	G61MPV-60C-091	3666316
14ACX-042-230	RFC	41,500	14.50	12.50	CH33-49	G61MPV-60C-110	3666315
14ACX-042-230	RFC	41,500	14.50	12.50	CH33-49	G61MPV-60C-111	3666317
14ACX-042-230	RFC	41,500	14.50	12.50	CH33-49	G71MPP-60C-110	3666341
14ACX-042-230	RFC	41,500	13.50	11.50	CH33-49		3666249
14ACX-042-230	RFC	41,500	14.50	12.50	CH33-50/60C	G61MPV-60C-090	3666320
14ACX-042-230	RFC	41,500	14.00	12.00	CH33-50/60C	G61MPV-60C-091	3666322
14ACX-042-230	RFC	41,500	14.50	12.50	CH33-50/60C	G61MPV-60C-110	3666321
14ACX-042-230	RFC	41,500	14.50	12.50	CH33-50/60C	G61MPV-60C-111	3666323
14ACX-042-230	RFC	41,500	14.50	12.50	CH33-50/60C	G71MPP-60C-110	3666342
14ACX-042-230	RFC	41,000	13.50	11.50	CH33-50/60C		3666250
14ACX-042-230	RFC	41,500	14.00	12.00	CR33-50/60	G61MPV-60C-090	3666293
14ACX-042-230	RFC	41,500	14.00	12.00	CR33-50/60	G61MPV-60C-091	3666295
14ACX-042-230	RFC	41,500	14.00	12.00	CR33-50/60	G61MPV-60C-110	3666294
14ACX-042-230	RFC	41,500	14.00	12.00	CR33-50/60	G61MPV-60C-111	3666296
14ACX-042-230	RFC	41,500	14.00	12.00	CR33-50/60	G71MPP-60C-110	3666338
14ACX-042-230	RFC	41,000	13.00	11.00	CR33-50/60		3666245
14ACX-042-230	RFC	41,500	14.50	12.50	CR33-60	G61MPV-60D-135	3666298
14ACX-042-230	RFC	41,500	14.50	12.50	CR33-60	G71MPP-60D-135	3666344
14ACX-042-230	RFC	41,000	13.00	11.00	CR33-60		3666246
14ACX-042-230	TXV	39,500	14.00	12.00	C33-36	G61MPV-60C-090	3665523
14ACX-042-230	TXV	39,500	13.50	11.50	C33-36	G61MPV-60C-091	3665525
14ACX-042-230	TXV	39,500	14.00	12.00	C33-36	G61MPV-60C-110	3665524

NOTES:

TXV = Matched with Thermostatic Expansion Valve.

RFC = Matched with RFC metering device.

Ratings are certified in accordance with USE certification program which is based on AHRI Standard 210/240; 95°F outdoor air temperature, 80°F db / 67°F wb entering evaporator air with 25 ft. of connecting refrigerant lines.

All ratings include the use of a blower time delay relay (TDR). All Lennox variable-speed furnaces and Air Handlers have time delay capabilities. Other Furnaces and Air Handlers may require an optional time delay relay (**58M81**) for field installation. See furnace or air handler specifications to determine if relay is needed.

Also see Expansion Valve Kit Usage Table.

AHRI SYSTEM MATCHES

NOTE - For the latest up-to-date system matches please visit the AHRI web site at <http://www.ahridirectory.org>

Model No.	Expansion Device	Capacity	SEER	EER	Coil or Air Handler	Furnace	AHRI Reference
14ACX-042-230	TXV	39,500	14.00	12.00	C33-36	G61MPV-60C-111	3665526
14ACX-042-230	TXV	39,500	14.00	12.00	C33-36	G71MPP-60C-110	3665622
14ACX-042-230	TXV	39,000	13.00	11.00	C33-36		3665463
14ACX-042-230	TXV	39,500	14.00	11.50	C33-38	G61MPV-36B-070	3665528
14ACX-042-230	TXV	39,500	14.00	11.50	C33-38	G61MPV-36B-071	3665529
14ACX-042-230	TXV	39,500	14.00	11.50	C33-38	G71MPP-36B-070	3665614
14ACX-042-230	TXV	40,000	13.50	11.50	C33-38		3665464
14ACX-042-230	TXV	40,000	13.50	11.50	C33-38B		3665478
14ACX-042-230	TXV	38,500	13.50	11.50	C33-42	G61MPV-36B-070	3665531
14ACX-042-230	TXV	38,500	13.50	11.50	C33-42	G61MPV-36B-071	3665532
14ACX-042-230	TXV	38,500	13.50	11.50	C33-42	G71MPP-36B-070	3665615
14ACX-042-230	TXV	39,000	13.00	11.00	C33-42		3665465
14ACX-042-230	TXV	40,500	14.00	12.00	C33-43	G61MPV-36B-070	3665534
14ACX-042-230	TXV	40,500	14.00	12.00	C33-43	G61MPV-36B-071	3665535
14ACX-042-230	TXV	41,500	14.50	12.50	C33-43	G61MPV-60C-090	3665538
14ACX-042-230	TXV	41,500	14.50	12.50	C33-43	G61MPV-60C-091	3665540
14ACX-042-230	TXV	41,500	15.00	12.50	C33-43	G61MPV-60C-110	3665539
14ACX-042-230	TXV	41,500	15.00	12.50	C33-43	G61MPV-60C-111	3665645
14ACX-042-230	TXV	40,500	14.00	12.00	C33-43	G71MPP-36B-070	3665616
14ACX-042-230	TXV	41,500	15.00	12.50	C33-43	G71MPP-60C-110	3665623
14ACX-042-230	TXV	41,000	13.50	11.50	C33-43		3665466
14ACX-042-230	TXV	40,500	14.50	12.00	C33-48	G61MPV-60C-090	3665543
14ACX-042-230	TXV	41,000	14.00	12.50	C33-48	G61MPV-60C-091	3665545
14ACX-042-230	TXV	40,500	14.50	12.00	C33-48	G61MPV-60C-110	3665544
14ACX-042-230	TXV	40,500	14.50	12.00	C33-48	G61MPV-60C-111	3665546
14ACX-042-230	TXV	40,500	14.50	12.00	C33-48	G71MPP-60C-110	3665624
14ACX-042-230	TXV	40,000	13.50	11.50	C33-48		3665467
14ACX-042-230	TXV	41,000	15.00	12.50	C33-49	G61MPV-60C-090	3665549
14ACX-042-230	TXV	41,000	15.00	12.50	C33-49	G61MPV-60C-091	3665551
14ACX-042-230	TXV	41,000	15.00	12.50	C33-49	G61MPV-60C-110	3665550
14ACX-042-230	TXV	41,000	15.00	12.50	C33-49	G61MPV-60C-111	3665552
14ACX-042-230	TXV	41,000	15.00	12.50	C33-49	G71MPP-60C-090	3665637
14ACX-042-230	TXV	41,000	15.00	12.50	C33-49	G71MPP-60C-110	3665625
14ACX-042-230	TXV	41,500	14.00	12.00	C33-49		3665462
14ACX-042-230	TXV	41,000	14.50	12.50	C33-50/60C	G61MPV-60C-090	3665555
14ACX-042-230	TXV	41,500	14.00	12.00	C33-50/60C	G61MPV-60C-091	3665557
14ACX-042-230	TXV	41,000	14.50	12.50	C33-50/60C	G61MPV-60C-110	3665556
14ACX-042-230	TXV	41,000	14.50	12.00	C33-50/60C	G61MPV-60C-111	3665558
14ACX-042-230	TXV	41,000	14.50	12.50	C33-50/60C	G71MPP-60C-110	3665626
14ACX-042-230	TXV	40,500	13.50	11.50	C33-50/60C		3665468
14ACX-042-230	TXV	41,500	15.00	12.50	C33-62C	G61MPV-60C-090	3665561
14ACX-042-230	TXV	41,500	15.00	12.50	C33-62C	G61MPV-60C-091	3665563
14ACX-042-230	TXV	41,500	15.00	12.50	C33-62C	G61MPV-60C-110	3665562
14ACX-042-230	TXV	41,500	15.00	12.50	C33-62C	G61MPV-60C-111	3665564
14ACX-042-230	TXV	41,500	15.00	12.50	C33-62C	G71MPP-60C-110	3665627
14ACX-042-230	TXV	42,000	14.00	12.00	C33-62C		3665469
14ACX-042-230	TXV	40,000	14.00	11.50	CB26UH-042		3665598
14ACX-042-230	TXV	40,000	14.00	11.50	CB26UH-042-R+39L72		3665608

NOTES:

TXV = Matched with Thermostatic Expansion Valve.

RFC = Matched with RFC metering device.

Ratings are certified in accordance with USE certification program which is based on AHRI Standard 210/240; 95°F outdoor air temperature, 80°F db / 67°F wb entering evaporator air with 25 ft. of connecting refrigerant lines.

All ratings include the use of a blower time delay relay (TDR). All Lennox variable-speed furnaces and Air Handlers have time delay capabilities. Other Furnaces and Air Handlers may require an optional time delay relay (**58M81**) for field installation. See furnace or air handler specifications to determine if relay is needed.

Also see Expansion Valve Kit Usage Table.

AHRI SYSTEM MATCHES

NOTE - For the latest up-to-date system matches please visit the AHRI web site at <http://www.ahridirectory.org>

Model No.	Expansion Device	Capacity	SEER	EER	Coil or Air Handler	Furnace	AHRI Reference
14ACX-042-230	TXV	40,000	14.00	11.50	CBX26UH-042		3665605
14ACX-042-230	TXV	41,500	15.00	12.50	CBX27UH-042		3665606
14ACX-042-230	TXV	41,500	15.00	12.50	CBX27UH-048		3665607
14ACX-042-230	TXV	40,000	13.50	11.50	CBX32M-036		3665600
14ACX-042-230	TXV	40,000	14.00	12.00	CBX32M-042		3665602
14ACX-042-230	TXV	41,000	14.00	12.00	CBX32M-048		3665599
14ACX-042-230	TXV	41,500	14.50	12.50	CBX32MV-048		3665604
14ACX-042-230	TXV	41,500	15.00	12.50	CBX40UHV-042		3665647
14ACX-042-230	TXV	41,500	14.50	12.50	CBX40UHV-048		3665648
14ACX-042-230	TXV	39,500	13.00	11.20	CH23-41		3665476
14ACX-042-230	TXV	41,500	15.00	12.50	CH33-43	G61MPV-60C-090	3665646
14ACX-042-230	TXV	41,500	14.50	12.50	CH33-43	G61MPV-60C-091	3665577
14ACX-042-230	TXV	41,500	15.00	12.50	CH33-43	G61MPV-60C-110	3665576
14ACX-042-230	TXV	41,500	15.00	12.50	CH33-43	G61MPV-60C-111	3665578
14ACX-042-230	TXV	41,500	15.00	12.50	CH33-43	G71MPP-60C-110	3665629
14ACX-042-230	TXV	42,000	14.50	12.50	CH33-43	SL280UH090V36B	3928744
14ACX-042-230	TXV	42,000	15.00	12.50	CH33-43	SL280UH090V48B	3928745
14ACX-042-230	TXV	42,000	15.00	13.00	CH33-43	SL280UH090V60C	3928746
14ACX-042-230	TXV	41,500	15.00	12.50	CH33-43	SL280UH110V60C	3928747
14ACX-042-230	TXV	41,000	13.50	11.50	CH33-43		3665472
14ACX-042-230	TXV	41,000	14.50	12.00	CH33-44/48	SL280UH090V36B	3928748
14ACX-042-230	TXV	41,000	14.50	12.50	CH33-44/48	SL280UH090V48B	3928749
14ACX-042-230	TXV	41,500	14.00	12.00	CH33-48	G61MPV-60C-091	3665581
14ACX-042-230	TXV	41,500	14.50	12.00	CH33-48	G61MPV-60C-111	3665582
14ACX-042-230	TXV	41,500	14.50	12.50	CH33-48	SL280UH090V60C	3928750
14ACX-042-230	TXV	41,000	14.50	12.50	CH33-48	SL280UH110V60C	3928751
14ACX-042-230	TXV	41,000	13.50	11.50	CH33-48		3665473
14ACX-042-230	TXV	42,000	15.00	12.50	CH33-49	G61MPV-60C-090	3665585
14ACX-042-230	TXV	42,000	14.50	12.00	CH33-49	G61MPV-60C-091	3665587
14ACX-042-230	TXV	42,000	15.00	12.50	CH33-49	G61MPV-60C-110	3665586
14ACX-042-230	TXV	42,000	15.00	12.50	CH33-49	G61MPV-60C-111	3665588
14ACX-042-230	TXV	42,000	15.00	12.50	CH33-49	G71MPP-60C-090	3665633
14ACX-042-230	TXV	42,000	15.00	12.50	CH33-49	G71MPP-60C-110	3665630
14ACX-042-230	TXV	42,000	15.00	12.50	CH33-49	SL280UH090V60C	3928752
14ACX-042-230	TXV	42,000	15.00	12.50	CH33-49	SL280UH110V60C	3928753
14ACX-042-230	TXV	41,500	14.00	12.00	CH33-49		3665474
14ACX-042-230	TXV	41,500	14.50	12.00	CH33-50/60C	G61MPV-60C-090	3665591
14ACX-042-230	TXV	42,000	14.50	12.00	CH33-50/60C	G61MPV-60C-091	3665593
14ACX-042-230	TXV	42,000	15.00	12.50	CH33-50/60C	G61MPV-60C-110	3665592
14ACX-042-230	TXV	41,500	14.50	12.00	CH33-50/60C	G61MPV-60C-111	3665594
14ACX-042-230	TXV	41,500	14.50	12.00	CH33-50/60C	G71MPP-60C-090	3665634
14ACX-042-230	TXV	42,000	15.00	12.50	CH33-50/60C	G71MPP-60C-110	3665631
14ACX-042-230	TXV	42,000	15.00	12.50	CH33-50/60C	SL280UH090V60C	3928754
14ACX-042-230	TXV	42,000	15.00	12.50	CH33-50/60C	SL280UH110V60C	3928755
14ACX-042-230	TXV	41,500	14.00	12.00	CH33-50/60C		3665475
14ACX-042-230	TXV	39,500	14.00	12.00	CR33-48	SL280DF090V60C	3928756
14ACX-042-230	TXV	39,500	14.00	12.00	CR33-48	SL280DF110V60C	3928757
14ACX-042-230	TXV	41,000	14.50	12.50	CR33-50/60	G61MPV-60C-090	3665567

NOTES:

TXV = Matched with Thermostatic Expansion Valve.

RFC = Matched with RFC metering device.

Ratings are certified in accordance with USE certification program which is based on AHRI Standard 210/240; 95°F outdoor air temperature, 80°F db / 67°F wb entering evaporator air with 25 ft. of connecting refrigerant lines.

All ratings include the use of a blower time delay relay (TDR). All Lennox variable-speed furnaces and Air Handlers have time delay capabilities. Other Furnaces and Air Handlers may require an optional time delay relay (**58M81**) for field installation. See furnace or air handler specifications to determine if relay is needed.

Also see Expansion Valve Kit Usage Table.

AHRI SYSTEM MATCHES

NOTE - For the latest up-to-date system matches please visit the AHRI web site at <http://www.ahridirectory.org>

Model No.	Expansion Device	Capacity	SEER	EER	Coil or Air Handler	Furnace	AHRI Reference
14ACX-042-230	TXV	41,000	14.50	12.00	CR33-50/60	G61MPV-60C-091	3665569
14ACX-042-230	TXV	41,000	14.50	12.50	CR33-50/60	G61MPV-60C-110	3665568
14ACX-042-230	TXV	41,000	14.50	12.50	CR33-50/60	G61MPV-60C-111	3665570
14ACX-042-230	TXV	41,000	14.50	12.50	CR33-50/60	G71MPP-60C-110	3665628
14ACX-042-230	TXV	41,000	15.00	12.50	CR33-50/60	SL280DF090V60C	3928800
14ACX-042-230	TXV	41,000	15.00	12.50	CR33-50/60	SL280DF110V60C	3928801
14ACX-042-230	TXV	40,500	13.50	11.50	CR33-50/60		3665470
14ACX-042-230	TXV	41,000	15.00	12.50	CR33-60	G61MPV-60D-135	3665572
14ACX-042-230	TXV	41,000	15.00	12.50	CR33-60	G71MPP-60D-135	3665632
14ACX-042-230	TXV	40,500	13.50	11.50	CR33-60		3665471
14ACX-042-230	TXV	39,500	14.00	12.00	CX34-36	G61MPV-60C-090	3665481
14ACX-042-230	TXV	39,500	13.50	11.50	CX34-36	G61MPV-60C-091	3665483
14ACX-042-230	TXV	39,500	14.00	12.00	CX34-36	G61MPV-60C-110	3665482
14ACX-042-230	TXV	39,500	14.00	12.00	CX34-36	G61MPV-60C-111	3665484
14ACX-042-230	TXV	39,500	14.00	12.00	CX34-36	G71MPP-60C-110	3665617
14ACX-042-230	TXV	39,000	14.00	11.50	CX34-36	SL280UH090V36B	3928720
14ACX-042-230	TXV	39,000	14.00	12.00	CX34-36	SL280UH090V48B	3928721
14ACX-042-230	TXV	39,500	14.00	12.00	CX34-36	SL280UH090V60C	3928722
14ACX-042-230	TXV	39,500	14.00	12.00	CX34-36	SL280UH110V60C	3928723
14ACX-042-230	TXV	39,000	13.00	11.00	CX34-36		3665455
14ACX-042-230	TXV	39,500	14.00	11.50	CX34-38	G61MPV-36B-070	3665486
14ACX-042-230	TXV	39,500	14.00	11.50	CX34-38	G61MPV-36B-071	3665487
14ACX-042-230	TXV	39,500	14.00	11.50	CX34-38	G71MPP-36B-070	3665611
14ACX-042-230	TXV	41,000	14.50	12.00	CX34-38	SL280UH090V36B	3928724
14ACX-042-230	TXV	41,000	14.50	12.50	CX34-38	SL280UH090V48B	3928725
14ACX-042-230	TXV	40,000	13.50	11.50	CX34-38		3665456
14ACX-042-230	TXV	40,000	13.50	11.50	CX34-38B		3665477
14ACX-042-230	TXV	38,500	13.50	11.50	CX34-42	G61MPV-36B-070	3665489
14ACX-042-230	TXV	38,500	13.50	11.50	CX34-42	G61MPV-36B-071	3665490
14ACX-042-230	TXV	38,500	13.50	11.50	CX34-42	G71MPP-36B-070	3665612
14ACX-042-230	TXV	39,000	14.00	11.50	CX34-42	SL280UH090V36B	3928726
14ACX-042-230	TXV	39,000	14.00	12.00	CX34-42	SL280UH090V48B	3928727
14ACX-042-230	TXV	39,000	13.00	11.00	CX34-42		3665457
14ACX-042-230	TXV	40,500	14.00	12.00	CX34-43	G61MPV-36B-070	3665492
14ACX-042-230	TXV	40,500	14.00	12.00	CX34-43	G61MPV-36B-071	3665493
14ACX-042-230	TXV	41,500	14.50	12.50	CX34-43	G61MPV-60C-090	3665496
14ACX-042-230	TXV	41,500	14.50	12.50	CX34-43	G61MPV-60C-091	3665498
14ACX-042-230	TXV	41,500	15.00	12.50	CX34-43	G61MPV-60C-110	3665497
14ACX-042-230	TXV	41,500	15.00	12.50	CX34-43	G61MPV-60C-111	3665644
14ACX-042-230	TXV	40,500	14.00	12.00	CX34-43	G71MPP-36B-070	3665613
14ACX-042-230	TXV	41,500	15.00	12.50	CX34-43	G71MPP-60C-110	3665618
14ACX-042-230	TXV	41,000	14.50	12.00	CX34-43	SL280UH090V36B	3928728
14ACX-042-230	TXV	41,000	14.50	12.50	CX34-43	SL280UH090V48B	3928729
14ACX-042-230	TXV	41,500	15.00	12.50	CX34-43	SL280UH090V60C	3928730
14ACX-042-230	TXV	41,500	15.00	12.50	CX34-43	SL280UH110V60C	3928731
14ACX-042-230	TXV	41,000	13.50	11.50	CX34-43		3665458
14ACX-042-230	TXV	40,500	14.50	12.00	CX34-44/48	G61MPV-60C-090	3665501
14ACX-042-230	TXV	41,000	14.00	12.50	CX34-44/48	G61MPV-60C-091	3665503

NOTES:

TXV = Matched with Thermostatic Expansion Valve.

RFC = Matched with RFC metering device.

Ratings are certified in accordance with USE certification program which is based on AHRI Standard 210/240; 95°F outdoor air temperature, 80°F db / 67°F wb entering evaporator air with 25 ft. of connecting refrigerant lines.

All ratings include the use of a blower time delay relay (TDR). All Lennox variable-speed furnaces and Air Handlers have time delay capabilities. Other Furnaces and Air Handlers may require an optional time delay relay (**58M81**) for field installation. See furnace or air handler specifications to determine if relay is needed.

Also see Expansion Valve Kit Usage Table.

AHRI SYSTEM MATCHES

NOTE - For the latest up-to-date system matches please visit the AHRI web site at <http://www.ahridirectory.org>

Model No.	Expansion Device	Capacity	SEER	EER	Coil or Air Handler	Furnace	AHRI Reference
14ACX-042-230	TXV	40,500	14.50	12.00	CX34-44/48	G61MPV-60C-110	3665502
14ACX-042-230	TXV	40,500	14.50	12.00	CX34-44/48	G61MPV-60C-111	3665504
14ACX-042-230	TXV	40,500	14.50	12.00	CX34-44/48	G71MPP-60C-110	3665619
14ACX-042-230	TXV	40,500	14.00	12.00	CX34-44/48	SL280UH090V36B	3928732
14ACX-042-230	TXV	40,500	14.50	12.00	CX34-44/48	SL280UH090V48B	3928733
14ACX-042-230	TXV	41,000	14.50	12.50	CX34-44/48	SL280UH090V60C	3928734
14ACX-042-230	TXV	40,500	14.50	12.00	CX34-44/48	SL280UH110V60C	3928735
14ACX-042-230	TXV	40,000	13.50	11.50	CX34-44/48		3665459
14ACX-042-230	TXV	41,000	15.20	12.50	CX34-49	G61MPV-60C-090	3665507
14ACX-042-230	TXV	41,000	15.00	12.50	CX34-49	G61MPV-60C-091	3665509
14ACX-042-230	TXV	41,000	15.20	12.50	CX34-49	G61MPV-60C-110	3665508
14ACX-042-230	TXV	41,000	15.20	12.50	CX34-49	G61MPV-60C-111	3665510
14ACX-042-230	TXV	41,000	15.20	12.50	CX34-49	G71MPP-60C-090	3665638
14ACX-042-230	TXV	41,000	15.20	12.50	CX34-49	G71MPP-60C-110	3665620
14ACX-042-230	TXV	42,000	15.00	13.00	CX34-49	SL280UH090V60C	3928736
14ACX-042-230	TXV	42,000	15.00	13.00	CX34-49	SL280UH110V60C	3928737
14ACX-042-230	TXV	41,500	14.00	12.00	CX34-49		3665454
14ACX-042-230	TXV	41,000	14.50	12.50	CX34-50/60C	G61MPV-60C-090	3665513
14ACX-042-230	TXV	41,500	14.00	12.00	CX34-50/60C	G61MPV-60C-091	3665515
14ACX-042-230	TXV	41,000	14.50	12.50	CX34-50/60C	G61MPV-60C-110	3665514
14ACX-042-230	TXV	41,000	14.50	12.00	CX34-50/60C	G61MPV-60C-111	3665516
14ACX-042-230	TXV	41,000	14.50	12.50	CX34-50/60C	G71MPP-60C-090	3665643
14ACX-042-230	TXV	41,000	14.50	12.50	CX34-50/60C	G71MPP-60C-110	3665621
14ACX-042-230	TXV	41,500	14.50	12.50	CX34-50/60C	SL280UH090V60C	3928738
14ACX-042-230	TXV	41,000	14.50	12.50	CX34-50/60C	SL280UH110V60C	3928739
14ACX-042-230	TXV	40,500	13.50	11.50	CX34-50/60C		3665460
14ACX-042-230	TXV	42,000	15.00	13.00	CX34-60D	SL280UH135V60D	3928740
14ACX-042-230	TXV	41,500	15.00	12.50	CX34-62C	G61MPV-60C-090	3665639
14ACX-042-230	TXV	41,500	15.00	12.50	CX34-62C	G61MPV-60C-091	3665519
14ACX-042-230	TXV	41,500	15.00	12.50	CX34-62C	G61MPV-60C-110	3665641
14ACX-042-230	TXV	41,500	15.00	12.50	CX34-62C	G61MPV-60C-111	3665520
14ACX-042-230	TXV	41,500	15.00	12.50	CX34-62C	G71MPP-60C-090	3665640
14ACX-042-230	TXV	41,500	15.00	12.50	CX34-62C	G71MPP-60C-110	3665642
14ACX-042-230	TXV	43,000	15.50	13.00	CX34-62C	SL280UH090V60C	3928741
14ACX-042-230	TXV	42,500	15.50	13.00	CX34-62C	SL280UH110V60C	3928742
14ACX-042-230	TXV	42,000	14.00	12.00	CX34-62C		3665461
14ACX-042-230	TXV	42,500	15.50	13.00	CX34-62D	SL280UH135V60D	3928743
14ACX-047-230	TXV	45,500	16.00	13.00	C33-48	G61MPV-60C-110	3869169
14ACX-047-230	TXV	45,500	16.00	13.00	C33-48	SL280UH090V60C	3869170
14ACX-047-230	TXV	45,500	16.00	13.00	C33-48	SL280UH110V60C	3869171
14ACX-047-230	TXV	45,000	14.00	11.50	C33-48		3869172
14ACX-047-230	TXV	47,000	14.50	12.50	C33-62C		3869173
14ACX-047-230	TXV	46,500	16.00	13.00	CBX27UH-048		3869174
14ACX-047-230	TXV	47,000	16.00	13.00	CBX32MV-060		3869175
14ACX-047-230	TXV	47,000	16.00	13.00	CBX40UHV-060		3869176
14ACX-047-230	TXV	46,500	16.00	13.00	CH33-48	G61MPV-60C-090	3869178
14ACX-047-230	TXV	46,500	16.00	13.00	CH33-48	G61MPV-60C-110	3869179
14ACX-047-230	TXV	46,500	16.00	13.00	CH33-48	SL280UH090V60C	3869180

NOTES:

TXV = Matched with Thermostatic Expansion Valve.

RFC = Matched with RFC metering device.

Ratings are certified in accordance with USE certification program which is based on AHRI Standard 210/240; 95°F outdoor air temperature, 80°F db / 67°F wb entering evaporator air with 25 ft. of connecting refrigerant lines.

All ratings include the use of a blower time delay relay (TDR). All Lennox variable-speed furnaces and Air Handlers have time delay capabilities. Other Furnaces and Air Handlers may require an optional time delay relay (**58M81**) for field installation. See furnace or air handler specifications to determine if relay is needed.

Also see Expansion Valve Kit Usage Table.

AHRI SYSTEM MATCHES

NOTE - For the latest up-to-date system matches please visit the AHRI web site at <http://www.ahridirectory.org>

Model No.	Expansion Device	Capacity	SEER	EER	Coil or Air Handler	Furnace	AHRI Reference
14ACX-047-230	TXV	46,500	16.00	13.00	CH33-48	SL280UH110V60C	3869181
14ACX-047-230	TXV	45,500	16.00	13.00	CR33-50/60	G61MPV-60C-110	3869184
14ACX-047-230	TXV	45,500	16.00	13.00	CR33-50/60	G71MPP-60C-110	3869185
14ACX-047-230	TXV	45,500	16.00	13.00	CR33-50/60	SL280DF090V60C	3869186
14ACX-047-230	TXV	45,500	16.00	13.00	CR33-50/60	SL280DF110V60C	3869187
14ACX-047-230	TXV	45,500	16.00	13.00	CR33-60	G61MPV-60D-135	3869189
14ACX-047-230	TXV	45,500	16.00	13.00	CR33-60	G71MPP-60D-135	3869190
14ACX-047-230	TXV	45,500	16.00	13.00	CX34-44/48	G61MPV-60C-110	3869193
14ACX-047-230	TXV	45,500	16.00	13.00	CX34-44/48	SL280UH090V60C	3869194
14ACX-047-230	TXV	45,500	16.00	13.00	CX34-44/48	SL280UH110V60C	3869195
14ACX-047-230	TXV	45,000	14.00	11.50	CX34-44/48		3869196
14ACX-047-230	TXV	47,000	14.50	12.50	CX34-62C		3869197
14ACX-048-230	RFC	48,000	14.00	12.00	C33-43	G61MPV-60C-090	3666370
14ACX-048-230	RFC	48,000	14.00	11.90	C33-43	G61MPV-60C-091	3666372
14ACX-048-230	RFC	48,000	14.00	12.00	C33-43	G61MPV-60C-110	3666371
14ACX-048-230	RFC	48,000	14.00	12.00	C33-43	G61MPV-60C-111	3666373
14ACX-048-230	RFC	48,000	14.00	12.00	C33-43	G71MPP-60C-110	3666446
14ACX-048-230	RFC	47,500	13.50	11.50	C33-43		3666348
14ACX-048-230	RFC	47,000	13.50	11.50	C33-48	G61MPV-60C-090	3666364
14ACX-048-230	RFC	47,000	13.50	11.50	C33-48	G61MPV-60C-091	3666366
14ACX-048-230	RFC	47,000	13.50	11.50	C33-48	G61MPV-60C-110	3666365
14ACX-048-230	RFC	47,000	13.50	11.50	C33-48	G61MPV-60C-111	3666367
14ACX-048-230	RFC	47,000	13.50	11.50	C33-48	G71MPP-60C-110	3666445
14ACX-048-230	RFC	47,000	13.00	11.00	C33-48		3666347
14ACX-048-230	RFC	48,500	14.00	12.00	C33-49	G61MPV-60C-090	3666376
14ACX-048-230	RFC	48,500	14.00	12.00	C33-49	G61MPV-60C-091	3666378
14ACX-048-230	RFC	48,500	14.00	12.00	C33-49	G61MPV-60C-110	3666377
14ACX-048-230	RFC	48,500	14.00	12.00	C33-49	G61MPV-60C-111	3666379
14ACX-048-230	RFC	48,500	14.00	12.00	C33-49	G71MPP-60C-110	3666447
14ACX-048-230	RFC	48,500	13.50	11.50	C33-49		3666349
14ACX-048-230	RFC	48,000	14.00	12.00	C33-50/60C	G61MPV-60C-090	3666439
14ACX-048-230	RFC	48,000	13.50	11.50	C33-50/60C	G61MPV-60C-091	3666441
14ACX-048-230	RFC	48,000	14.00	12.00	C33-50/60C	G61MPV-60C-110	3666440
14ACX-048-230	RFC	48,000	14.00	11.95	C33-50/60C	G61MPV-60C-111	3666442
14ACX-048-230	RFC	48,000	14.00	12.00	C33-50/60C	G71MPP-60C-110	3666456
14ACX-048-230	RFC	47,500	13.50	11.50	C33-50/60C		3666360
14ACX-048-230	RFC	48,000	14.00	12.00	C33-60D	G61MPV-60D-135	3666387
14ACX-048-230	RFC	48,000	14.00	12.00	C33-60D	G71MPP-60D-135	3666457
14ACX-048-230	RFC	48,000	13.50	11.50	C33-60D		3666350
14ACX-048-230	RFC	49,500	14.50	12.00	C33-62C	G61MPV-60C-090	3666382
14ACX-048-230	RFC	49,500	14.00	12.00	C33-62C	G61MPV-60C-091	3666384
14ACX-048-230	RFC	49,500	14.50	12.00	C33-62C	G61MPV-60C-110	3666383
14ACX-048-230	RFC	49,500	14.00	12.00	C33-62C	G61MPV-60C-111	3666385
14ACX-048-230	RFC	49,500	14.50	12.00	C33-62C	G71MPP-60C-110	3666448
14ACX-048-230	RFC	49,000	14.00	11.50	C33-62C		3666346
14ACX-048-230	RFC	49,000	14.50	12.00	C33-62D	G61MPV-60D-135	3666444
14ACX-048-230	RFC	49,000	14.50	12.00	C33-62D	G71MPP-60D-135	3666462
14ACX-048-230	RFC	48,500	14.00	11.50	C33-62D		3666361

NOTES:

TXV = Matched with Thermostatic Expansion Valve.

RFC = Matched with RFC metering device.

Ratings are certified in accordance with USE certification program which is based on AHRI Standard 210/240; 95°F outdoor air temperature, 80°F db / 67°F wb entering evaporator air with 25 ft. of connecting refrigerant lines.

All ratings include the use of a blower time delay relay (TDR). All Lennox variable-speed furnaces and Air Handlers have time delay capabilities. Other Furnaces and Air Handlers may require an optional time delay relay (**58M81**) for field installation. See furnace or air handler specifications to determine if relay is needed.

Also see Expansion Valve Kit Usage Table.

AHRI SYSTEM MATCHES

NOTE - For the latest up-to-date system matches please visit the AHRI web site at <http://www.ahridirectory.org>

Model No.	Expansion Device	Capacity	SEER	EER	Coil or Air Handler	Furnace	AHRI Reference
14ACX-048-230	RFC	49,000	15.00	12.50	CH23-68	G61MPV-60D-135	3666436
14ACX-048-230	RFC	49,000	15.00	12.50	CH23-68	G71MPP-60D-135	3666461
14ACX-048-230	RFC	48,500	13.50	11.50	CH23-68		3666359
14ACX-048-230	RFC	48,000	14.00	12.00	CH33-43	G61MPV-60C-090	3666404
14ACX-048-230	RFC	48,000	13.50	11.50	CH33-43	G61MPV-60C-091	3666406
14ACX-048-230	RFC	48,000	14.00	12.00	CH33-43	G61MPV-60C-110	3666405
14ACX-048-230	RFC	48,000	14.00	12.00	CH33-43	G61MPV-60C-111	3666407
14ACX-048-230	RFC	48,000	14.00	12.00	CH33-43	G71MPP-60C-110	3666451
14ACX-048-230	RFC	48,000	13.50	11.50	CH33-43		3666353
14ACX-048-230	RFC	48,000	14.00	12.00	CH33-48	G61MPV-60C-090	3666410
14ACX-048-230	RFC	48,000	13.50	11.50	CH33-48	G61MPV-60C-091	3666412
14ACX-048-230	RFC	48,000	14.00	12.00	CH33-48	G61MPV-60C-110	3666411
14ACX-048-230	RFC	48,000	14.00	11.50	CH33-48	G61MPV-60C-111	3666413
14ACX-048-230	RFC	48,000	14.00	12.00	CH33-48	G71MPP-60C-110	3666452
14ACX-048-230	RFC	47,500	13.50	11.50	CH33-48		3666354
14ACX-048-230	RFC	48,500	14.00	12.00	CH33-49	G61MPV-60C-090	3666416
14ACX-048-230	RFC	48,500	14.00	12.00	CH33-49	G61MPV-60C-091	3666418
14ACX-048-230	RFC	48,500	14.00	12.00	CH33-49	G61MPV-60C-110	3666417
14ACX-048-230	RFC	48,500	14.00	12.00	CH33-49	G61MPV-60C-111	3666419
14ACX-048-230	RFC	48,500	14.00	12.00	CH33-49	G71MPP-60C-110	3666453
14ACX-048-230	RFC	48,500	13.50	11.50	CH33-49		3666355
14ACX-048-230	RFC	48,500	14.00	12.00	CH33-50/60C	G61MPV-60C-090	3666422
14ACX-048-230	RFC	48,500	14.00	12.00	CH33-50/60C	G61MPV-60C-091	3666424
14ACX-048-230	RFC	48,500	14.00	12.00	CH33-50/60C	G61MPV-60C-110	3666423
14ACX-048-230	RFC	48,500	14.00	12.00	CH33-50/60C	G71MPP-60C-110	3666454
14ACX-048-230	RFC	48,000	13.50	11.50	CH33-50/60C		3666356
14ACX-048-230	RFC	48,000	14.00	12.00	CH33-60D	G61MPV-60D-135	3666426
14ACX-048-230	RFC	48,000	14.00	12.00	CH33-60D	G71MPP-60D-135	3666459
14ACX-048-230	RFC	48,000	13.50	11.50	CH33-60D		3666357
14ACX-048-230	RFC	48,500	14.00	12.00	CH33-62D	G61MPV-60C-090	3666431
14ACX-048-230	RFC	48,500	14.00	12.00	CH33-62D	G61MPV-60C-091	3666433
14ACX-048-230	RFC	48,500	14.00	12.00	CH33-62D	G61MPV-60C-110	3666432
14ACX-048-230	RFC	48,500	14.00	12.00	CH33-62D	G61MPV-60C-111	3666434
14ACX-048-230	RFC	48,500	14.00	12.00	CH33-62D	G61MPV-60D-135	3666428
14ACX-048-230	RFC	48,500	14.00	12.00	CH33-62D	G71MPP-60C-110	3666455
14ACX-048-230	RFC	48,500	14.00	12.00	CH33-62D	G71MPP-60D-135	3666460
14ACX-048-230	RFC	48,000	13.50	11.50	CH33-62D		3666358
14ACX-048-230	RFC	46,500	13.00	11.00	CR33-48	G61MPV-60C-090	3666390
14ACX-048-230	RFC	46,500	13.00	11.00	CR33-48	G61MPV-60C-091	3666392
14ACX-048-230	RFC	46,500	13.00	11.00	CR33-48	G61MPV-60C-110	3666391
14ACX-048-230	RFC	46,500	13.00	11.00	CR33-48	G61MPV-60C-111	3666393
14ACX-048-230	RFC	46,500	13.00	11.00	CR33-48	G71MPP-60C-110	3666449
14ACX-048-230	RFC	48,000	14.00	12.00	CR33-50/60	G61MPV-60C-090	3666396
14ACX-048-230	RFC	48,000	13.50	11.50	CR33-50/60	G61MPV-60C-091	3666398
14ACX-048-230	RFC	48,000	14.00	12.00	CR33-50/60	G61MPV-60C-110	3666397
14ACX-048-230	RFC	48,000	14.00	12.00	CR33-50/60	G61MPV-60C-111	3666399
14ACX-048-230	RFC	48,000	14.00	12.00	CR33-50/60	G71MPP-60C-110	3666450
14ACX-048-230	RFC	47,500	13.00	11.00	CR33-50/60		3666351

NOTES:

TXV = Matched with Thermostatic Expansion Valve.

RFC = Matched with RFC metering device.

Ratings are certified in accordance with USE certification program which is based on AHRI Standard 210/240; 95°F outdoor air temperature, 80°F db / 67°F wb entering evaporator air with 25 ft. of connecting refrigerant lines.

All ratings include the use of a blower time delay relay (TDR). All Lennox variable-speed furnaces and Air Handlers have time delay capabilities. Other Furnaces and Air Handlers may require an optional time delay relay (**58M81**) for field installation. See furnace or air handler specifications to determine if relay is needed.

Also see Expansion Valve Kit Usage Table.

AHRI SYSTEM MATCHES

NOTE - For the latest up-to-date system matches please visit the AHRI web site at <http://www.ahridirectory.org>

Model No.	Expansion Device	Capacity	SEER	EER	Coil or Air Handler	Furnace	AHRI Reference
14ACX-048-230	RFC	48,000	14.00	12.00	CR33-60	G61MPV-60D-135	3666401
14ACX-048-230	RFC	48,000	14.00	12.00	CR33-60	G71MPP-60D-135	3666458
14ACX-048-230	RFC	47,500	13.00	11.00	CR33-60		3666352
14ACX-048-230	TXV	48,000	14.50	12.00	C33-43	G61MPV-60C-090	3665705
14ACX-048-230	TXV	48,000	14.00	12.00	C33-43	G61MPV-60C-091	3665707
14ACX-048-230	TXV	48,000	14.50	12.00	C33-43	G61MPV-60C-110	3665706
14ACX-048-230	TXV	48,000	14.00	12.00	C33-43	G61MPV-60C-111	3665708
14ACX-048-230	TXV	48,000	14.50	12.00	C33-43	G71MPP-60C-110	3665806
14ACX-048-230	TXV	47,500	13.50	11.50	C33-43		3665657
14ACX-048-230	TXV	47,000	14.00	11.50	C33-48	G61MPV-60C-090	3665699
14ACX-048-230	TXV	47,000	13.50	11.50	C33-48	G61MPV-60C-091	3665701
14ACX-048-230	TXV	47,000	14.00	11.50	C33-48	G61MPV-60C-110	3665700
14ACX-048-230	TXV	47,000	14.00	11.50	C33-48	G61MPV-60C-111	3665702
14ACX-048-230	TXV	47,000	14.00	11.50	C33-48	G71MPP-60C-110	3665805
14ACX-048-230	TXV	46,500	13.50	11.50	C33-48		3665656
14ACX-048-230	TXV	48,500	14.50	12.00	C33-49	G61MPV-60C-090	3665709
14ACX-048-230	TXV	48,500	14.50	12.00	C33-49	G61MPV-60C-091	3665711
14ACX-048-230	TXV	48,500	14.50	12.00	C33-49	G61MPV-60C-110	3665710
14ACX-048-230	TXV	48,500	14.50	12.00	C33-49	G61MPV-60C-111	3665712
14ACX-048-230	TXV	48,500	14.50	12.00	C33-49	G71MPP-60C-110	3665807
14ACX-048-230	TXV	48,500	14.00	11.50	C33-49		3665658
14ACX-048-230	TXV	47,500	14.00	11.50	C33-50/60C	G61MPV-60C-090	3665789
14ACX-048-230	TXV	47,500	14.00	11.50	C33-50/60C	G61MPV-60C-091	3665791
14ACX-048-230	TXV	47,500	14.00	12.00	C33-50/60C	G61MPV-60C-110	3665790
14ACX-048-230	TXV	47,500	14.00	11.50	C33-50/60C	G61MPV-60C-111	3665792
14ACX-048-230	TXV	47,500	14.00	12.00	C33-50/60C	G71MPP-60C-110	3665817
14ACX-048-230	TXV	47,000	13.50	11.50	C33-50/60C		3665671
14ACX-048-230	TXV	48,000	14.00	11.50	C33-60D		3665659
14ACX-048-230	TXV	49,500	15.00	12.50	C33-62C	G61MPV-60C-090	3665829
14ACX-048-230	TXV	49,500	14.50	12.00	C33-62C	G61MPV-60C-091	3665716
14ACX-048-230	TXV	49,500	15.00	12.50	C33-62C	G61MPV-60C-110	3665715
14ACX-048-230	TXV	49,500	14.50	12.00	C33-62C	G61MPV-60C-111	3665717
14ACX-048-230	TXV	49,500	15.00	12.50	C33-62C	G71MPP-60C-110	3665808
14ACX-048-230	TXV	49,000	14.00	12.00	C33-62C		3665655
14ACX-048-230	TXV	49,000	15.00	12.50	C33-62D	G61MPV-60D-135	3665720
14ACX-048-230	TXV	49,000	15.00	12.50	C33-62D	G71MPP-60D-135	3665820
14ACX-048-230	TXV	48,500	14.00	11.50	C33-62D		3665660
14ACX-048-230	TXV	48,500	14.00	12.00	CB26UH-048		3665767
14ACX-048-230	TXV	48,500	14.00	12.00	CBX26UH-048		3665772
14ACX-048-230	TXV	48,500	14.50	12.00	CBX27UH-048		3665793
14ACX-048-230	TXV	48,000	14.50	12.00	CBX27UH-060		3665794
14ACX-048-230	TXV	49,500	14.00	12.00	CBX32M-042		3665774
14ACX-048-230	TXV	48,000	14.00	12.00	CBX32M-048		3665768
14ACX-048-230	TXV	48,500	14.00	12.00	CBX32M-060		3665778
14ACX-048-230	TXV	48,500	14.50	12.00	CBX32MV-048		3665771
14ACX-048-230	TXV	48,500	14.50	12.00	CBX32MV-060		3665779
14ACX-048-230	TXV	48,500	14.50	12.00	CBX40UHV-048		3665830
14ACX-048-230	TXV	48,500	14.50	12.00	CBX40UHV-060		3665831

NOTES:

TXV = Matched with Thermostatic Expansion Valve.

RFC = Matched with RFC metering device.

Ratings are certified in accordance with USE certification program which is based on AHRI Standard 210/240; 95°F outdoor air temperature, 80°F db / 67°F wb entering evaporator air with 25 ft. of connecting refrigerant lines.

All ratings include the use of a blower time delay relay (TDR). All Lennox variable-speed furnaces and Air Handlers have time delay capabilities. Other Furnaces and Air Handlers may require an optional time delay relay (**58M81**) for field installation. See furnace or air handler specifications to determine if relay is needed.

Also see Expansion Valve Kit Usage Table.

AHRI SYSTEM MATCHES

NOTE - For the latest up-to-date system matches please visit the AHRI web site at <http://www.ahridirectory.org>

Model No.	Expansion Device	Capacity	SEER	EER	Coil or Air Handler	Furnace	AHRI Reference
14ACX-048-230	TXV	49,000	15.00	12.50	CH23-68	G61MPV-60D-135	3665766
14ACX-048-230	TXV	49,000	15.00	12.50	CH23-68	G71MPP-60D-135	3665823
14ACX-048-230	TXV	48,500	14.00	11.50	CH23-68		3665669
14ACX-048-230	TXV	48,000	14.00	12.00	CH33-43	G61MPV-60C-090	3665734
14ACX-048-230	TXV	48,000	14.00	11.50	CH33-43	G61MPV-60C-091	3665736
14ACX-048-230	TXV	48,000	14.00	12.00	CH33-43	G61MPV-60C-110	3665735
14ACX-048-230	TXV	48,000	14.00	12.00	CH33-43	G61MPV-60C-111	3665737
14ACX-048-230	TXV	48,000	14.00	12.00	CH33-43	G71MPP-60C-110	3665811
14ACX-048-230	TXV	48,000	14.50	12.00	CH33-43	SL280UH090V60C	3928770
14ACX-048-230	TXV	47,500	14.50	12.00	CH33-43	SL280UH110V60C	3928771
14ACX-048-230	TXV	47,500	13.50	11.50	CH33-43		3665663
14ACX-048-230	TXV	47,500	14.00	11.50	CH33-48	G61MPV-60C-090	3665740
14ACX-048-230	TXV	47,500	14.00	11.50	CH33-48	G61MPV-60C-091	3665742
14ACX-048-230	TXV	47,500	14.00	12.00	CH33-48	G61MPV-60C-110	3665741
14ACX-048-230	TXV	47,500	14.00	11.50	CH33-48	G61MPV-60C-111	3665743
14ACX-048-230	TXV	47,500	14.00	12.00	CH33-48	G71MPP-60C-110	3665812
14ACX-048-230	TXV	47,500	14.50	12.00	CH33-48	SL280UH090V60C	3928772
14ACX-048-230	TXV	47,500	14.00	12.00	CH33-48	SL280UH110V60C	3928773
14ACX-048-230	TXV	47,500	13.50	11.50	CH33-48		3665664
14ACX-048-230	TXV	48,500	14.50	12.00	CH33-49	G61MPV-60C-090	3665746
14ACX-048-230	TXV	48,500	14.00	12.00	CH33-49	G61MPV-60C-091	3665748
14ACX-048-230	TXV	48,500	14.50	12.00	CH33-49	G61MPV-60C-110	3665747
14ACX-048-230	TXV	48,500	14.50	12.00	CH33-49	G61MPV-60C-111	3665749
14ACX-048-230	TXV	48,500	14.50	12.00	CH33-49	G71MPP-60C-110	3665813
14ACX-048-230	TXV	48,500	14.50	12.00	CH33-49	SL280UH090V60C	3928774
14ACX-048-230	TXV	48,500	14.50	12.00	CH33-49	SL280UH110V60C	3928775
14ACX-048-230	TXV	48,000	14.00	11.50	CH33-49		3665665
14ACX-048-230	TXV	48,000	14.50	12.00	CH33-50/60C	G61MPV-60C-090	3665752
14ACX-048-230	TXV	48,000	14.00	11.50	CH33-50/60C	G61MPV-60C-091	3665754
14ACX-048-230	TXV	48,500	14.50	12.00	CH33-50/60C	G61MPV-60C-110	3665753
14ACX-048-230	TXV	48,500	14.50	12.00	CH33-50/60C	G71MPP-60C-110	3665814
14ACX-048-230	TXV	48,500	14.50	12.00	CH33-50/60C	SL280UH090V60C	3928776
14ACX-048-230	TXV	48,000	14.50	12.00	CH33-50/60C	SL280UH110V60C	3928777
14ACX-048-230	TXV	48,000	14.00	11.50	CH33-50/60C		3665666
14ACX-048-230	TXV	48,000	14.50	12.00	CH33-60D	G61MPV-60D-135	3665756
14ACX-048-230	TXV	48,000	14.50	12.00	CH33-60D	G71MPP-60D-135	3665821
14ACX-048-230	TXV	47,500	14.50	12.00	CH33-60D	SL280UH135V60D	3928778
14ACX-048-230	TXV	47,500	13.50	11.50	CH33-60D		3665667
14ACX-048-230	TXV	48,500	14.50	12.00	CH33-62D	G61MPV-60C-090	3665761
14ACX-048-230	TXV	48,500	14.00	12.00	CH33-62D	G61MPV-60C-091	3665762
14ACX-048-230	TXV	48,500	14.50	12.00	CH33-62D	G61MPV-60C-110	3665763
14ACX-048-230	TXV	48,500	14.50	12.00	CH33-62D	G61MPV-60C-111	3665764
14ACX-048-230	TXV	48,500	14.50	12.00	CH33-62D	G61MPV-60D-135	3665758
14ACX-048-230	TXV	48,500	14.50	12.00	CH33-62D	G71MPP-60C-110	3665815
14ACX-048-230	TXV	48,500	14.50	12.00	CH33-62D	G71MPP-60D-135	3665822
14ACX-048-230	TXV	48,000	15.00	12.50	CH33-62D	SL280UH135V60D	3928779
14ACX-048-230	TXV	48,000	14.00	11.50	CH33-62D		3665668
14ACX-048-230	TXV	45,500	13.50	11.50	CR33-48	G61MPV-60C-090	3665722

NOTES:

TXV = Matched with Thermostatic Expansion Valve.

RFC = Matched with RFC metering device.

Ratings are certified in accordance with USE certification program which is based on AHRI Standard 210/240; 95°F outdoor air temperature, 80°F db / 67°F wb entering evaporator air with 25 ft. of connecting refrigerant lines.

All ratings include the use of a blower time delay relay (TDR). All Lennox variable-speed furnaces and Air Handlers have time delay capabilities. Other Furnaces and Air Handlers may require an optional time delay relay (**58M81**) for field installation. See furnace or air handler specifications to determine if relay is needed.

Also see Expansion Valve Kit Usage Table.

AHRI SYSTEM MATCHES

NOTE - For the latest up-to-date system matches please visit the AHRI web site at <http://www.ahridirectory.org>

Model No.	Expansion Device	Capacity	SEER	EER	Coil or Air Handler	Furnace	AHRI Reference
14ACX-048-230	TXV	45,500	13.00	11.00	CR33-48	G61MPV-60C-091	3665724
14ACX-048-230	TXV	45,500	13.50	11.50	CR33-48	G61MPV-60C-110	3665723
14ACX-048-230	TXV	46,000	13.50	11.50	CR33-48	G61MPV-60C-111	3665725
14ACX-048-230	TXV	45,500	13.50	11.50	CR33-48	G71MPP-60C-110	3665809
14ACX-048-230	TXV	46,000	14.00	11.50	CR33-48	SL280DF090V60C	3928780
14ACX-048-230	TXV	46,000	14.00	11.50	CR33-48	SL280DF110V60C	3928781
14ACX-048-230	TXV	47,500	14.00	12.00	CR33-50/60	G61MPV-60C-090	3665727
14ACX-048-230	TXV	47,500	14.00	11.50	CR33-50/60	G61MPV-60C-091	3665729
14ACX-048-230	TXV	47,500	14.00	12.00	CR33-50/60	G61MPV-60C-110	3665728
14ACX-048-230	TXV	47,500	14.00	12.00	CR33-50/60	G61MPV-60C-111	3665730
14ACX-048-230	TXV	47,500	14.00	12.00	CR33-50/60	G71MPP-60C-110	3665810
14ACX-048-230	TXV	47,500	14.50	12.00	CR33-50/60	SL280DF090V60C	3928782
14ACX-048-230	TXV	47,500	14.50	12.00	CR33-50/60	SL280DF110V60C	3928783
14ACX-048-230	TXV	47,000	13.50	11.50	CR33-50/60		3665661
14ACX-048-230	TXV	47,500	14.50	12.00	CR33-60	G61MPV-60D-135	3665694
14ACX-048-230	TXV	47,500	14.50	12.00	CR33-60	G71MPP-60D-135	3665818
14ACX-048-230	TXV	47,000	13.50	11.50	CR33-60		3665662
14ACX-048-230	TXV	48,000	14.50	12.00	CX34-43	G61MPV-60C-090	3665680
14ACX-048-230	TXV	48,000	14.00	12.00	CX34-43	G61MPV-60C-091	3665682
14ACX-048-230	TXV	48,000	14.50	12.00	CX34-43	G61MPV-60C-110	3665681
14ACX-048-230	TXV	48,000	14.00	12.00	CX34-43	G61MPV-60C-111	3665683
14ACX-048-230	TXV	48,000	14.50	12.00	CX34-43	G71MPP-60C-110	3665802
14ACX-048-230	TXV	47,500	14.50	12.00	CX34-43	SL280UH090V60C	3928758
14ACX-048-230	TXV	47,500	14.50	12.00	CX34-43	SL280UH110V60C	3928759
14ACX-048-230	TXV	47,500	13.50	11.50	CX34-43		3665651
14ACX-048-230	TXV	47,000	14.00	11.50	CX34-44/48	G61MPV-60C-090	3665674
14ACX-048-230	TXV	47,000	13.50	11.50	CX34-44/48	G61MPV-60C-091	3665676
14ACX-048-230	TXV	47,000	14.00	11.50	CX34-44/48	G61MPV-60C-110	3665675
14ACX-048-230	TXV	47,000	14.00	11.50	CX34-44/48	G61MPV-60C-111	3665677
14ACX-048-230	TXV	47,000	14.00	11.50	CX34-44/48	G71MPP-60C-110	3665801
14ACX-048-230	TXV	47,000	14.00	11.50	CX34-44/48	SL280UH090V60C	3928760
14ACX-048-230	TXV	47,000	14.00	11.50	CX34-44/48	SL280UH110V60C	3928761
14ACX-048-230	TXV	46,500	13.50	11.50	CX34-44/48		3665650
14ACX-048-230	TXV	48,500	14.50	12.00	CX34-49	G61MPV-60C-090	3665684
14ACX-048-230	TXV	48,500	14.50	12.00	CX34-49	G61MPV-60C-091	3665686
14ACX-048-230	TXV	48,500	14.50	12.00	CX34-49	G61MPV-60C-110	3665685
14ACX-048-230	TXV	48,500	14.50	12.00	CX34-49	G61MPV-60C-111	3665687
14ACX-048-230	TXV	48,500	14.50	12.00	CX34-49	G71MPP-60C-110	3665803
14ACX-048-230	TXV	48,500	14.50	12.00	CX34-49	SL280UH090V60C	3928762
14ACX-048-230	TXV	48,000	14.50	12.00	CX34-49	SL280UH110V60C	3928763
14ACX-048-230	TXV	48,500	14.00	11.50	CX34-49		3665652
14ACX-048-230	TXV	47,500	14.00	11.50	CX34-50/60C	G61MPV-60C-090	3665783
14ACX-048-230	TXV	47,500	14.00	11.50	CX34-50/60C	G61MPV-60C-091	3665785
14ACX-048-230	TXV	47,500	14.00	12.00	CX34-50/60C	G61MPV-60C-110	3665784
14ACX-048-230	TXV	47,500	14.00	11.50	CX34-50/60C	G61MPV-60C-111	3665786
14ACX-048-230	TXV	47,500	14.00	12.00	CX34-50/60C	G71MPP-60C-110	3665816
14ACX-048-230	TXV	47,500	14.00	12.00	CX34-50/60C	SL280UH090V60C	3928764
14ACX-048-230	TXV	47,500	14.00	12.00	CX34-50/60C	SL280UH110V60C	3928765

NOTES:

TXV = Matched with Thermostatic Expansion Valve.

RFC = Matched with RFC metering device.

Ratings are certified in accordance with USE certification program which is based on AHRI Standard 210/240; 95°F outdoor air temperature, 80°F db / 67°F wb entering evaporator air with 25 ft. of connecting refrigerant lines.

All ratings include the use of a blower time delay relay (TDR). All Lennox variable-speed furnaces and Air Handlers have time delay capabilities. Other Furnaces and Air Handlers may require an optional time delay relay (**58M81**) for field installation. See furnace or air handler specifications to determine if relay is needed.

Also see Expansion Valve Kit Usage Table.

AHRI SYSTEM MATCHES

NOTE - For the latest up-to-date system matches please visit the AHRI web site at <http://www.ahridirectory.org>

Model No.	Expansion Device	Capacity	SEER	EER	Coil or Air Handler	Furnace	AHRI Reference
14ACX-048-230	TXV	47,000	13.50	11.50	CX34-50/60C		3665670
14ACX-048-230	TXV	48,000	15.00	12.50	CX34-60D	SL280UH135V60D	3928766
14ACX-048-230	TXV	48,000	14.00	11.50	CX34-60D		3665653
14ACX-048-230	TXV	49,500	15.00	12.50	CX34-62C	G61MPV-60C-090	3665826
14ACX-048-230	TXV	49,500	14.50	12.00	CX34-62C	G61MPV-60C-091	3665691
14ACX-048-230	TXV	49,500	15.00	12.50	CX34-62C	G61MPV-60C-110	3665690
14ACX-048-230	TXV	49,500	14.50	12.00	CX34-62C	G61MPV-60C-111	3665692
14ACX-048-230	TXV	49,500	15.00	12.50	CX34-62C	G71MPP-60C-110	3665804
14ACX-048-230	TXV	49,500	15.00	12.50	CX34-62C	SL280UH090V60C	3928767
14ACX-048-230	TXV	49,500	15.00	12.50	CX34-62C	SL280UH110V60C	3928768
14ACX-048-230	TXV	49,000	14.00	12.00	CX34-62C		3665649
14ACX-048-230	TXV	49,000	15.00	12.50	CX34-62D	G61MPV-60D-135	3665696
14ACX-048-230	TXV	49,000	15.00	12.50	CX34-62D	G71MPP-60D-135	3665819
14ACX-048-230	TXV	48,500	15.00	12.50	CX34-62D	SL280UH135V60D	3928769
14ACX-048-230	TXV	48,500	14.00	11.50	CX34-62D		3665654
14ACX-059-230	TXV	56,500	14.00	11.50	C33-49		4363481
14ACX-059-230	TXV	56,000	14.00	11.50	C33-49	G61MPV-60C-090	4363472
14ACX-059-230	TXV	56,000	14.50	12.00	C33-49	G61MPV-60C-110	4363473
14ACX-059-230	TXV	56,000	14.00	11.50	C33-49	G61MPV-60C-111	4363474
14ACX-059-230	TXV	56,000	14.50	12.00	C33-49	SL280UH090V60C	4363476
14ACX-059-230	TXV	56,000	14.50	12.00	C33-49	SL280UH110V60C	4363477
14ACX-059-230	TXV	56,000	14.50	12.00	C33-49	SL280UH110XV60C	4363478
14ACX-059-230	TXV	56,500	14.00	11.50	C33-49	SLP98UH090V60C	4363479
14ACX-059-230	TXV	56,000	14.00	12.00	C33-49	SLP98UH110V60C	4363480
14ACX-059-230	TXV	55,000	14.00	11.50	C33-50/60C		4363490
14ACX-059-230	TXV	55,000	14.00	11.50	C33-50/60C	G61MPV-60C-090	4363482
14ACX-059-230	TXV	55,000	14.00	11.50	C33-50/60C	G61MPV-60C-110	4363483
14ACX-059-230	TXV	55,000	14.00	11.50	C33-50/60C	SL280UH090V60C	4363485
14ACX-059-230	TXV	55,000	14.00	11.50	C33-50/60C	SL280UH110V60C	4363486
14ACX-059-230	TXV	55,000	14.00	11.50	C33-50/60C	SL280UH110XV60C	4363487
14ACX-059-230	TXV	55,000	13.50	11.00	C33-50/60C	SLP98UH090V60C	4363488
14ACX-059-230	TXV	55,000	14.00	11.50	C33-50/60C	SLP98UH110V60C	4363489
14ACX-059-230	TXV	56,000	14.00	11.50	C33-60D		4363495
14ACX-059-230	TXV	56,000	14.50	12.00	C33-60D	G61MPV-60D-135	4363491
14ACX-059-230	TXV	56,500	14.50	12.00	C33-60D	SL280UH135V60D	4363493
14ACX-059-230	TXV	56,000	14.50	12.00	C33-60D	SLP98UH135V60D	4363494
14ACX-059-230	TXV	57,000	14.50	12.00	C33-62C		4363506
14ACX-059-230	TXV	57,000	14.50	12.00	C33-62C	G61MPV-60C-090	4363496
14ACX-059-230	TXV	57,000	14.00	11.50	C33-62C	G61MPV-60C-091	4363497
14ACX-059-230	TXV	57,500	14.50	12.00	C33-62C	G61MPV-60C-110	4363498
14ACX-059-230	TXV	57,500	14.50	12.00	C33-62C	G61MPV-60C-111	4363499
14ACX-059-230	TXV	57,500	14.50	12.00	C33-62C	SL280UH090V60C	4363501
14ACX-059-230	TXV	57,500	14.50	12.00	C33-62C	SL280UH110V60C	4363502
14ACX-059-230	TXV	57,500	14.50	12.00	C33-62C	SL280UH110XV60C	4363503
14ACX-059-230	TXV	57,500	14.00	12.00	C33-62C	SLP98UH090V60C	4363504
14ACX-059-230	TXV	57,000	14.50	12.00	C33-62C	SLP98UH110V60C	4363505
14ACX-059-230	TXV	56,500	14.00	11.50	C33-62D		4363510
14ACX-059-230	TXV	57,000	14.50	12.00	C33-62D	G61MPV-60D-135	4363507

NOTES:

TXV = Matched with Thermostatic Expansion Valve.

RFC = Matched with RFC metering device.

Ratings are certified in accordance with USE certification program which is based on AHRI Standard 210/240; 95°F outdoor air temperature, 80°F db / 67°F wb entering evaporator air with 25 ft. of connecting refrigerant lines.

All ratings include the use of a blower time delay relay (TDR). All Lennox variable-speed furnaces and Air Handlers have time delay capabilities. Other Furnaces and Air Handlers may require an optional time delay relay (**58M81**) for field installation. See furnace or air handler specifications to determine if relay is needed.

Also see Expansion Valve Kit Usage Table.

AHRI SYSTEM MATCHES

NOTE - For the latest up-to-date system matches please visit the AHRI web site at <http://www.ahridirectory.org>

Model No.	Expansion Device	Capacity	SEER	EER	Coil or Air Handler	Furnace	AHRI Reference
14ACX-059-230	TXV	56,500	15.00	12.50	C33-62D	SL280UH135V60D	4363509
14ACX-059-230	TXV	56,500	14.50	12.00	CBX26UH-060		4363391
14ACX-059-230	TXV	56,000	14.50	12.00	CBX27UH-060		4363392
14ACX-059-230	TXV	56,000	14.50	12.00	CBX32M-060		4363393
14ACX-059-230	TXV	55,000	14.50	12.00	CBX32MV-048		4363394
14ACX-059-230	TXV	56,000	14.50	12.00	CBX32MV-060		4363395
14ACX-059-230	TXV	55,500	14.50	12.00	CBX32MV-068		4363396
14ACX-059-230	TXV	55,500	14.50	12.00	CBX40UHV-048		4363397
14ACX-059-230	TXV	56,000	14.50	12.00	CBX40UHV-060		4363398
14ACX-059-230	TXV	56,500	14.00	11.50	CH23-68		4363401
14ACX-059-230	TXV	57,000	14.50	12.00	CH23-68	G61MPV-60D-135	4363399
14ACX-059-230	TXV	56,500	14.50	12.00	CH33-49	G61MPV-60C-110	4363402
14ACX-059-230	TXV	56,500	14.50	12.00	CH33-49	SL280UH090V60C	4363404
14ACX-059-230	TXV	56,500	14.00	11.50	CH33-49	SL280UH110V60C	4363405
14ACX-059-230	TXV	56,500	14.00	11.50	CH33-49	SL280UH110XV60C	4363406
14ACX-059-230	TXV	56,500	14.00	11.50	CH33-49	SLP98DF110V60C	4363408
14ACX-059-230	TXV	56,500	14.00	11.50	CH33-49	SLP98UH090V60C	4363407
14ACX-059-230	TXV	56,000	14.00	11.50	CH33-50/60C	SL280UH090V60C	4363409
14ACX-059-230	TXV	55,500	14.00	11.50	CH33-50/60C	SL280UH110V60C	4363410
14ACX-059-230	TXV	55,500	14.00	11.50	CH33-50/60C	SL280UH110XV60C	4363411
14ACX-059-230	TXV	55,500	14.00	11.50	CH33-60D		4363417
14ACX-059-230	TXV	56,000	14.00	12.00	CH33-60D	G61MPV-60C-090	4363416
14ACX-059-230	TXV	56,000	14.50	12.00	CH33-60D	G61MPV-60D-135	4363412
14ACX-059-230	TXV	56,000	14.50	12.00	CH33-60D	SL280UH135V60D	4363414
14ACX-059-230	TXV	56,000	14.50	12.00	CH33-60D	SLP98UH135V60D	4363415
14ACX-059-230	TXV	56,000	14.00	11.50	CH33-62D		4363424
14ACX-059-230	TXV	56,000	14.50	12.00	CH33-62D	G61MPV-60C-110	4363418
14ACX-059-230	TXV	56,000	14.00	12.00	CH33-62D	G61MPV-60C-111	4363419
14ACX-059-230	TXV	56,000	14.50	12.00	CH33-62D	G61MPV-60D-135	4363420
14ACX-059-230	TXV	56,500	14.50	12.00	CH33-62D	SL280UH135V60D	4363422
14ACX-059-230	TXV	56,000	14.50	12.00	CH33-62D	SLP98UH135V60D	4363423
14ACX-059-230	TXV	55,000	14.00	11.50	CR33-50/60		4363429
14ACX-059-230	TXV	55,000	14.00	11.50	CR33-50/60	SL280DF090V60C	4363425
14ACX-059-230	TXV	55,500	14.50	12.00	CR33-50/60	SL280DF110V60C	4363426
14ACX-059-230	TXV	55,000	14.00	11.50	CR33-50/60	SLP98DF090V60C	4363427
14ACX-059-230	TXV	55,000	14.00	11.50	CR33-50/60	SLP98DF110V60C	4363428
14ACX-059-230	TXV	55,000	14.00	11.50	CR33-60		4363432
14ACX-059-230	TXV	55,500	14.00	12.00	CR33-60	G61MPV-60D-135	4363430
14ACX-059-230	TXV	56,500	14.00	11.50	CX34-49		4363442
14ACX-059-230	TXV	56,000	14.00	11.50	CX34-49	G61MPV-60C-090	4363433
14ACX-059-230	TXV	56,000	14.50	12.00	CX34-49	G61MPV-60C-110	4363434
14ACX-059-230	TXV	56,000	14.00	11.50	CX34-49	G61MPV-60C-111	4363435
14ACX-059-230	TXV	56,000	14.50	12.00	CX34-49	SL280UH090V60C	4363437
14ACX-059-230	TXV	56,000	14.50	12.00	CX34-49	SL280UH110V60C	4363438
14ACX-059-230	TXV	56,000	14.50	12.00	CX34-49	SL280UH110XV60C	4363439
14ACX-059-230	TXV	56,500	14.00	11.50	CX34-49	SLP98UH090V60C	4363440
14ACX-059-230	TXV	56,000	14.00	12.00	CX34-49	SLP98UH110V60C	4363441
14ACX-059-230	TXV	55,000	14.00	11.50	CX34-50/60C		4363451

NOTES:

TXV = Matched with Thermostatic Expansion Valve.

RFC = Matched with RFC metering device.

Ratings are certified in accordance with USE certification program which is based on AHRI Standard 210/240; 95°F outdoor air temperature, 80°F db / 67°F wb entering evaporator air with 25 ft. of connecting refrigerant lines.

All ratings include the use of a blower time delay relay (TDR). All Lennox variable-speed furnaces and Air Handlers have time delay capabilities. Other Furnaces and Air Handlers may require an optional time delay relay (**58M81**) for field installation. See furnace or air handler specifications to determine if relay is needed.

Also see Expansion Valve Kit Usage Table.

AHRI SYSTEM MATCHES

NOTE - For the latest up-to-date system matches please visit the AHRI web site at <http://www.ahridirectory.org>

Model No.	Expansion Device	Capacity	SEER	EER	Coil or Air Handler	Furnace	AHRI Reference
14ACX-059-230	TXV	55,000	14.00	11.50	CX34-50/60C	G61MPV-60C-090	4363443
14ACX-059-230	TXV	55,000	14.00	11.50	CX34-50/60C	G61MPV-60C-110	4363444
14ACX-059-230	TXV	55,000	14.00	11.50	CX34-50/60C	SL280UH090V60C	4363446
14ACX-059-230	TXV	55,000	14.00	11.50	CX34-50/60C	SL280UH110V60C	4363447
14ACX-059-230	TXV	55,000	14.00	11.50	CX34-50/60C	SL280UH110XV60C	4363448
14ACX-059-230	TXV	55,000	13.50	11.00	CX34-50/60C	SLP98UH090V60C	4363449
14ACX-059-230	TXV	55,000	14.00	11.50	CX34-50/60C	SLP98UH110V60C	4363450
14ACX-059-230	TXV	56,000	14.00	11.50	CX34-60D		4363456
14ACX-059-230	TXV	56,000	14.50	12.00	CX34-60D	G61MPV-60D-135	4363452
14ACX-059-230	TXV	56,500	14.50	12.00	CX34-60D	SL280UH135V60D	4363454
14ACX-059-230	TXV	56,000	14.50	12.00	CX34-60D	SLP98UH135V60D	4363455
14ACX-059-230	TXV	57,000	14.50	12.00	CX34-62C		4363467
14ACX-059-230	TXV	57,000	14.50	12.00	CX34-62C	G61MPV-60C-090	4363457
14ACX-059-230	TXV	57,000	14.00	11.50	CX34-62C	G61MPV-60C-091	4363458
14ACX-059-230	TXV	57,500	14.50	12.00	CX34-62C	G61MPV-60C-110	4363459
14ACX-059-230	TXV	57,500	14.50	12.00	CX34-62C	G61MPV-60C-111	4363460
14ACX-059-230	TXV	57,500	14.50	12.00	CX34-62C	SL280UH090V60C	4363462
14ACX-059-230	TXV	57,500	14.50	12.00	CX34-62C	SL280UH110V60C	4363463
14ACX-059-230	TXV	57,500	14.50	12.00	CX34-62C	SL280UH110XV60C	4363464
14ACX-059-230	TXV	57,500	14.00	12.00	CX34-62C	SLP98UH090V60C	4363465
14ACX-059-230	TXV	57,000	14.50	12.00	CX34-62C	SLP98UH110V60C	4363466
14ACX-059-230	TXV	56,500	14.00	11.50	CX34-62D		4363471
14ACX-059-230	TXV	57,000	14.50	12.00	CX34-62D	G61MPV-60D-135	4363468
14ACX-059-230	TXV	56,500	15.00	12.50	CX34-62D	SL280UH135V60D	4363470
14ACX-060-230	RFC	56,000	13.50	11.50	C33-49	G61MPV-60C-090	3666480
14ACX-060-230	RFC	56,000	14.00	12.00	C33-49	G61MPV-60C-110	3666481
14ACX-060-230	RFC	56,000	14.00	12.00	C33-49	G71MPP-60C-110	3666508
14ACX-060-230	RFC	56,500	13.50	11.50	C33-49		3666464
14ACX-060-230	RFC	55,500	13.50	11.50	C33-50/60C	G61MPV-60C-090	3666484
14ACX-060-230	RFC	55,500	13.50	11.50	C33-50/60C	G61MPV-60C-110	3666485
14ACX-060-230	RFC	55,500	13.50	11.50	C33-50/60C	G71MPP-60C-110	3666509
14ACX-060-230	RFC	55,500	13.50	11.50	C33-50/60C		3666465
14ACX-060-230	RFC	56,500	14.00	12.00	C33-60D	G61MPV-60D-135	3666487
14ACX-060-230	RFC	56,500	14.00	12.00	C33-60D	G71MPP-60D-135	3666513
14ACX-060-230	RFC	56,000	13.50	11.50	C33-60D		3666466
14ACX-060-230	RFC	57,000	14.00	12.00	C33-62C	G61MPV-60C-090	3666490
14ACX-060-230	RFC	57,500	14.00	12.00	C33-62C	G61MPV-60C-110	3666491
14ACX-060-230	RFC	57,500	14.00	12.00	C33-62C	G71MPP-60C-110	3666510
14ACX-060-230	RFC	57,500	14.00	11.50	C33-62C		3666463
14ACX-060-230	RFC	57,000	14.00	12.00	C33-62D	G61MPV-60D-135	3666494
14ACX-060-230	RFC	56,500	13.50	11.50	C33-62D		3666467
14ACX-060-230	RFC	57,000	14.00	12.00	C33-62D	G71MPP-60D-135	3666514
14ACX-060-230	RFC	57,000	14.00	12.00	CH23-68	G61MPV-60D-135	3666507
14ACX-060-230	RFC	57,000	14.00	12.00	CH23-68	G71MPP-60D-135	3666518
14ACX-060-230	RFC	56,500	13.50	11.50	CH23-68		3666474
14ACX-060-230	RFC	56,500	14.00	11.50	CH33-49	G61MPV-60C-110	3666496
14ACX-060-230	RFC	56,500	14.00	11.50	CH33-49	G71MPP-60C-110	3666511
14ACX-060-230	RFC	56,500	13.50	11.50	CH33-49		3666470

NOTES:

TXV = Matched with Thermostatic Expansion Valve.

RFC = Matched with RFC metering device.

Ratings are certified in accordance with USE certification program which is based on AHRI Standard 210/240; 95°F outdoor air temperature, 80°F db / 67°F wb entering evaporator air with 25 ft. of connecting refrigerant lines.

All ratings include the use of a blower time delay relay (TDR). All Lennox variable-speed furnaces and Air Handlers have time delay capabilities. Other Furnaces and Air Handlers may require an optional time delay relay (**58M81**) for field installation. See furnace or air handler specifications to determine if relay is needed.

Also see Expansion Valve Kit Usage Table.

AHRI SYSTEM MATCHES

NOTE - For the latest up-to-date system matches please visit the AHRI web site at <http://www.ahridirectory.org>

Model No.	Expansion Device	Capacity	SEER	EER	Coil or Air Handler	Furnace	AHRI Reference
14ACX-060-230	RFC	56,500	13.50	11.50	CH33-50/60C		3666471
14ACX-060-230	RFC	56,000	14.00	12.00	CH33-60D	G61MPV-60D-135	3666500
14ACX-060-230	RFC	56,000	14.00	12.00	CH33-60D	G71MPP-60D-135	3666516
14ACX-060-230	RFC	56,000	13.50	11.50	CH33-60D		3666472
14ACX-060-230	RFC	56,000	14.00	12.00	CH33-62D	G61MPV-60C-090	3666503
14ACX-060-230	RFC	56,000	14.00	12.00	CH33-62D	G61MPV-60C-110	3666504
14ACX-060-230	RFC	56,000	14.00	11.50	CH33-62D	G61MPV-60C-111	3666505
14ACX-060-230	RFC	56,000	14.00	12.00	CH33-62D	G61MPV-60D-135	3666502
14ACX-060-230	RFC	56,000	14.00	12.00	CH33-62D	G71MPP-60C-110	3666512
14ACX-060-230	RFC	56,000	14.00	12.00	CH33-62D	G71MPP-60D-135	3666517
14ACX-060-230	RFC	56,000	13.50	11.50	CH33-62D		3666473
14ACX-060-230	RFC	55,500	13.00	11.00	CR33-50/60		3666468
14ACX-060-230	RFC	56,000	14.00	12.00	CR33-60	G61MPV-60D-135	3666475
14ACX-060-230	RFC	56,000	14.00	12.00	CR33-60	G71MPP-60D-135	3666515
14ACX-060-230	RFC	55,500	13.00	11.00	CR33-60		3666469
14ACX-060-230	TXV	57,000	14.00	12.00	C33-49	G61MPV-60C-090	3665879
14ACX-060-230	TXV	57,000	14.00	12.00	C33-49	G61MPV-60C-110	3665880
14ACX-060-230	TXV	57,000	14.20	12.00	C33-49	G61MPV-60C-111	3665858
14ACX-060-230	TXV	57,000	14.00	12.00	C33-49	G71MPP-60C-110	3665931
14ACX-060-230	TXV	57,000	14.00	11.50	C33-49		3665839
14ACX-060-230	TXV	55,500	13.50	11.50	C33-50/60C	G61MPV-60C-090	3665883
14ACX-060-230	TXV	55,500	13.50	11.50	C33-50/60C	G61MPV-60C-110	3665884
14ACX-060-230	TXV	55,500	13.50	11.50	C33-50/60C	G71MPP-60C-110	3665932
14ACX-060-230	TXV	55,500	13.80	11.50	C33-50/60C		3665840
14ACX-060-230	TXV	57,000	14.50	12.00	C33-60D	G61MPV-60D-135	3665886
14ACX-060-230	TXV	57,000	14.50	12.00	C33-60D	G71MPP-60D-135	3665851
14ACX-060-230	TXV	56,500	14.00	11.50	C33-60D		3665841
14ACX-060-230	TXV	58,000	14.40	12.00	C33-62C	G61MPV-60C-090	3665889
14ACX-060-230	TXV	57,000	14.20	12.00	C33-62C	G61MPV-60C-091	3665939
14ACX-060-230	TXV	58,000	14.50	12.00	C33-62C	G61MPV-60C-110	3665890
14ACX-060-230	TXV	58,000	14.50	12.00	C33-62C	G61MPV-60C-111	3665926
14ACX-060-230	TXV	58,000	14.50	12.00	C33-62C	G71MPP-60C-110	3665933
14ACX-060-230	TXV	58,000	14.00	12.00	C33-62C		3665838
14ACX-060-230	TXV	57,500	14.50	12.00	C33-62D	G61MPV-60D-135	3665893
14ACX-060-230	TXV	57,500	14.50	12.00	C33-62D	G71MPP-60D-135	3665852
14ACX-060-230	TXV	57,000	14.00	11.50	C33-62D		3665842
14ACX-060-230	TXV	58,000	14.00	12.00	CB26UH-060		3665913
14ACX-060-230	TXV	58,000	14.00	12.00	CBX26UH-060		3665916
14ACX-060-230	TXV	56,000	14.00	12.00	CBX27UH-060		3665923
14ACX-060-230	TXV	55,500	13.00	11.00	CBX32M-048		3665911
14ACX-060-230	TXV	56,500	14.00	12.00	CBX32M-060		3665921
14ACX-060-230	TXV	56,000	14.00	12.00	CBX32MV-048		3665914
14ACX-060-230	TXV	56,500	14.00	12.00	CBX32MV-060		3665920
14ACX-060-230	TXV	56,500	14.50	12.00	CBX32MV-068		3665922
14ACX-060-230	TXV	56,000	14.00	12.00	CBX40UHV-048		3665937
14ACX-060-230	TXV	56,500	14.00	12.00	CBX40UHV-060		3665938
14ACX-060-230	TXV	57,500	14.50	12.00	CH23-68	G61MPV-60D-135	3665909
14ACX-060-230	TXV	57,500	14.50	12.00	CH23-68	G71MPP-60D-135	3665856

NOTES:

TXV = Matched with Thermostatic Expansion Valve.

RFC = Matched with RFC metering device.

Ratings are certified in accordance with USE certification program which is based on AHRI Standard 210/240; 95°F outdoor air temperature, 80°F db / 67°F wb entering evaporator air with 25 ft. of connecting refrigerant lines.

All ratings include the use of a blower time delay relay (TDR). All Lennox variable-speed furnaces and Air Handlers have time delay capabilities. Other Furnaces and Air Handlers may require an optional time delay relay (**58M81**) for field installation. See furnace or air handler specifications to determine if relay is needed.

Also see Expansion Valve Kit Usage Table.

AHRI SYSTEM MATCHES

NOTE - For the latest up-to-date system matches please visit the AHRI web site at <http://www.ahridirectory.org>

Model No.	Expansion Device	Capacity	SEER	EER	Coil or Air Handler	Furnace	AHRI Reference
14ACX-060-230	TXV	57,000	14.00	11.50	CH23-68		3665849
14ACX-060-230	TXV	57,000	14.00	12.00	CH33-49	G61MPV-60C-110	3665898
14ACX-060-230	TXV	57,000	14.00	12.00	CH33-49	G71MPP-60C-110	3665934
14ACX-060-230	TXV	57,000	14.00	12.00	CH33-49	SL280UH090V60C	3928792
14ACX-060-230	TXV	57,000	14.00	12.00	CH33-49	SL280UH110V60C	3928793
14ACX-060-230	TXV	57,000	14.00	11.50	CH33-49		3665845
14ACX-060-230	TXV	56,500	14.00	12.00	CH33-50/60C	SL280UH090V60C	3928794
14ACX-060-230	TXV	56,000	14.00	11.50	CH33-50/60C	SL280UH110V60C	3928795
14ACX-060-230	TXV	56,500	14.00	11.50	CH33-50/60C		3665846
14ACX-060-230	TXV	56,500	14.00	12.00	CH33-60D	G61MPV-60D-135	3665902
14ACX-060-230	TXV	56,500	14.00	12.00	CH33-60D	G71MPP-60D-135	3665854
14ACX-060-230	TXV	56,500	14.50	12.00	CH33-60D	SL280UH135V60D	3928796
14ACX-060-230	TXV	56,000	13.50	11.50	CH33-60D		3665847
14ACX-060-230	TXV	56,500	14.00	12.00	CH33-62D	G61MPV-60C-090	3665905
14ACX-060-230	TXV	56,500	14.00	12.00	CH33-62D	G61MPV-60C-110	3665906
14ACX-060-230	TXV	56,500	14.00	12.00	CH33-62D	G61MPV-60C-111	3665907
14ACX-060-230	TXV	57,000	14.50	12.00	CH33-62D	G61MPV-60D-135	3665904
14ACX-060-230	TXV	56,500	14.00	12.00	CH33-62D	G71MPP-60C-110	3665935
14ACX-060-230	TXV	57,000	14.50	12.00	CH33-62D	G71MPP-60D-135	3665855
14ACX-060-230	TXV	56,500	14.50	12.00	CH33-62D	SL280UH135V60D	3928797
14ACX-060-230	TXV	56,500	14.00	11.50	CH33-62D		3665848
14ACX-060-230	TXV	55,500	14.00	11.50	CR33-50/60	SL280DF090V60C	3928798
14ACX-060-230	TXV	56,000	14.00	12.00	CR33-50/60	SL280DF110V60C	3928799
14ACX-060-230	TXV	55,500	13.50	11.50	CR33-50/60		3665843
14ACX-060-230	TXV	56,000	14.00	12.00	CR33-60	G61MPV-60D-135	3665895
14ACX-060-230	TXV	56,000	14.00	12.00	CR33-60	G71MPP-60D-135	3665853
14ACX-060-230	TXV	55,500	13.50	11.50	CR33-60		3665844
14ACX-060-230	TXV	57,000	14.00	12.00	CX34-49	G61MPV-60C-090	3665862
14ACX-060-230	TXV	57,000	14.00	12.00	CX34-49	G61MPV-60C-110	3665863
14ACX-060-230	TXV	57,000	14.20	12.00	CX34-49	G61MPV-60C-111	3665859
14ACX-060-230	TXV	57,000	14.00	12.00	CX34-49	G71MPP-60C-110	3665928
14ACX-060-230	TXV	56,500	14.00	12.00	CX34-49	SL280UH090V60C	3928784
14ACX-060-230	TXV	56,500	14.00	12.00	CX34-49	SL280UH110V60C	3928785
14ACX-060-230	TXV	57,000	14.00	11.50	CX34-49		3665834
14ACX-060-230	TXV	55,500	13.50	11.50	CX34-50/60C	G61MPV-60C-090	3665866
14ACX-060-230	TXV	55,500	13.50	11.50	CX34-50/60C	G61MPV-60C-110	3665867
14ACX-060-230	TXV	55,500	13.50	11.50	CX34-50/60C	G71MPP-60C-110	3665929
14ACX-060-230	TXV	55,500	14.00	11.50	CX34-50/60C	SL280UH090V60C	3928786
14ACX-060-230	TXV	55,500	13.50	11.50	CX34-50/60C	SL280UH110V60C	3928787
14ACX-060-230	TXV	55,500	13.80	11.50	CX34-50/60C		3665835
14ACX-060-230	TXV	57,000	14.50	12.00	CX34-60D	G61MPV-60D-135	3665869
14ACX-060-230	TXV	57,000	14.50	12.00	CX34-60D	G71MPP-60D-135	3665936
14ACX-060-230	TXV	56,500	14.50	12.00	CX34-60D	SL280UH135V60D	3928788
14ACX-060-230	TXV	56,500	14.00	11.50	CX34-60D		3665836
14ACX-060-230	TXV	58,000	14.40	12.00	CX34-62C	G61MPV-60C-090	3665872
14ACX-060-230	TXV	57,000	14.20	12.00	CX34-62C	G61MPV-60C-091	3665940
14ACX-060-230	TXV	58,000	14.50	12.00	CX34-62C	G61MPV-60C-110	3665873
14ACX-060-230	TXV	58,000	14.50	12.00	CX34-62C	G61MPV-60C-111	3665927

NOTES:

TXV = Matched with Thermostatic Expansion Valve.

RFC = Matched with RFC metering device.

Ratings are certified in accordance with USE certification program which is based on AHRI Standard 210/240; 95°F outdoor air temperature, 80°F db / 67°F wb entering evaporator air with 25 ft. of connecting refrigerant lines.

All ratings include the use of a blower time delay relay (TDR). All Lennox variable-speed furnaces and Air Handlers have time delay capabilities. Other Furnaces and Air Handlers may require an optional time delay relay (**58M81**) for field installation. See furnace or air handler specifications to determine if relay is needed.

Also see Expansion Valve Kit Usage Table.

AHRI SYSTEM MATCHES

NOTE - For the latest up-to-date system matches please visit the AHRI web site at <http://www.ahridirectory.org>

Model No.	Expansion Device	Capacity	SEER	EER	Coil or Air Handler	Furnace	AHRI Reference
14ACX-060-230	TXV	58,000	14.50	12.00	CX34-62C	G71MPP-60C-110	3665930
14ACX-060-230	TXV	58,000	14.50	12.00	CX34-62C	SL280UH090V60C	3928789
14ACX-060-230	TXV	57,500	14.50	12.00	CX34-62C	SL280UH110V60C	3928790
14ACX-060-230	TXV	58,000	14.00	12.00	CX34-62C		3665833
14ACX-060-230	TXV	57,500	14.50	12.00	CX34-62D	G61MPV-60D-135	3665876
14ACX-060-230	TXV	57,500	14.50	12.00	CX34-62D	G71MPP-60D-135	3665850
14ACX-060-230	TXV	57,000	15.00	12.50	CX34-62D	SL280UH135V60D	3928791
14ACX-060-230	TXV	57,000	14.00	11.50	CX34-62D		3665837

NOTES:

TXV = Matched with Thermostatic Expansion Valve.
 RFC = Matched with RFC metering device.

Ratings are certified in accordance with USE certification program which is based on AHRI Standard 210/240; 95°F outdoor air temperature, 80°F db / 67°F wb entering evaporator air with 25 ft. of connecting refrigerant lines.

All ratings include the use of a blower time delay relay (TDR). All Lennox variable-speed furnaces and Air Handlers have time delay capabilities. Other Furnaces and Air Handlers may require an optional time delay relay (**58M81**) for field installation. See furnace or air handler specifications to determine if relay is needed.

Also see Expansion Valve Kit Usage Table.

REVISIONS

Sections	Description of Change
Document	Added Specifications, Dimensions and AHRI System Matches for 14ACX-059 model.



Visit us at www.lennox.com

For the latest technical information, www.lennoxdavenet.com

Contact us at 1-800-4-LENNOX

NOTE - Due to Lennox' ongoing commitment to quality, Specifications, Ratings and Dimensions subject to change without notice and without incurring liability. Improper installation, adjustment, alteration, service or maintenance can cause property damage or personal injury. Installation and service must be performed by a qualified installer and servicing agency.

©2010 Lennox Industries, Inc.