



ENGINEERING DATA

Bulletin No. 210465

October 2009

Supersedes March 2009

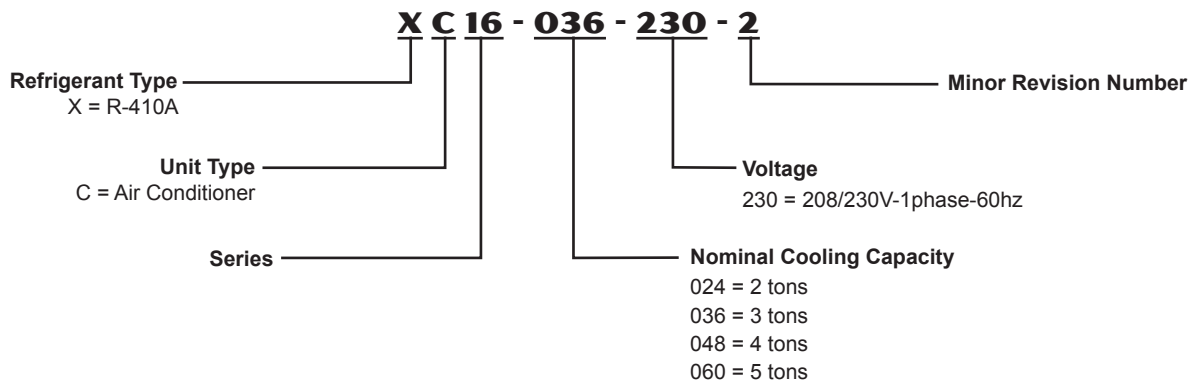


SEER up to 17.20

2 to 5 Tons

Cooling Capacity - 24,600 to 60,000 Btuh

MODEL NUMBER IDENTIFICATION



FEATURES

CONTENTS

AHRI System Matches.....	8
Dimensions	7
Electrical Data	5
Features.....	2
Field Wiring	6
Installation Clearances	6
Model Number Identification	1
Optional Accessories	5
Outdoor Sound Data	6
Specifications	5

EQUIPMENT WARRANTY

Compressor - limited warranty for **ten years** in residential installations and five years in non-residential installations.

All other covered components - **five years** in residential installations and one year in non-residential installations.

Refer to Lennox Equipment Limited Warranty certificate included with unit for specific details.

APPLICATIONS

SEER up to 17.20.

2 through 5 ton.

Single phase power supply.

Sound levels as low as 74 dB.

Vertical air discharge allows concealment behind shrubs at grade level or out of sight on a roof.

Matching add-on furnace indoor coils or air handlers provide a wide range of cooling capacities and applications. See AHRI System Matches.

See Indoor Coils and Air Handlers tab sections for data. Units shipped completely factory assembled, piped, and wired. Each unit is test operated at the factory insuring proper operation.

Installer must set air conditioner, connect refrigerant lines, and make electrical connections to complete job.

APPROVALS

Certified in accordance with USE certification program which is based on AHRI Standard 210/240-2008.

Sound rated in Lennox reverberant sound test room in accordance with test conditions included in AHRI Standard 270-2008.

Tested in the Lennox Research Laboratory environmental test room.

Rated according to U.S. Department of Energy (DOE) test procedures.

Air conditioners and components within bonded for grounding to meet safety standards for servicing required by UL and CEC.

Units are UL and ULC listed.

ISO 9001 Registered Manufacturing Quality System.

ENERGY STAR® certified units are designed to use less energy, help save money on utility bills, and help protect the environment.

For expanded ratings, see www.lennox.com.



REFRIGERATION SYSTEM

R-410A Refrigerant

Non-chlorine, ozone friendly, R-410A. Unit pre-charged with refrigerant. See Specification table.



1 Outdoor Coil Fan

Direct drive fan moves large air volumes uniformly through entire condenser coil for high refrigerant cooling capacity.

Vertical air discharge minimizes operating sounds and eliminates damage to lawn and shrubs.

Fan motor has sleeve bearings and is inherently protected.

Motor totally enclosed for maximum protection from weather, dust and corrosion

Fan guard constructed of corrosion-resistant PVC (polyvinyl chloride) coated steel.

Fan service access accomplished by removal of fan guard.

2 Copper Tube/Enhanced Fin Coil

Lennox designed and fabricated coil.

Ripple-edged aluminum fins.

Copper tube construction.

Lanced fins provide maximum exposure of fin surface to air stream resulting in excellent heat transfer.

Fin collars grip tubing for maximum contact area.

Flared shoulder tubing connections/silver soldering construction.

Coil is factory tested under high pressure to insure leakproof construction.

Entire coil is accessible for cleaning.

FEATURES

REFRIGERATION SYSTEM (CONTINUED)

3 High Pressure Switch

Shuts off unit if abnormal operating conditions cause the discharge pressure to rise above setting. Protects compressor from excessive condensing pressure. Manual reset.

4 Low Pressure Switch

Shuts off unit if suction pressure falls below setting. Provides loss of charge and freeze-up protection. Automatic reset.

5 Hi-Capacity Liquid Line Drier

Factory installed in the liquid line, the drier traps moisture or dirt that could contaminate the refrigerant system. 100% molecular-sieve bead type drier.

OPTIONS

Expansion Valve Kits

Must be ordered extra and field installed on certain indoor units. See Specification table and TXV Substitution table. Chatleff style fitting.

Freezestat

Installs on or near the discharge line of the indoor coil or on the suction line. Senses suction line temperature and cycles the compressor off when suction line temperature falls below it's setpoint. Opens at 29°F and closes at 58°F.

Refrigerant Line Kits

Refrigerant lines (suction & liquid) are shipped refrigeration clean. Lines are cleaned, dried, pressurized, and sealed at factory. Suction line fully insulated. L15 lines are stubbed at both ends. See Specifications table for selection. Not available for -060 model and must be field fabricated.

COMPRESSOR

6 Copeland Scroll Ultra Tech™ Two-Stage Compressor

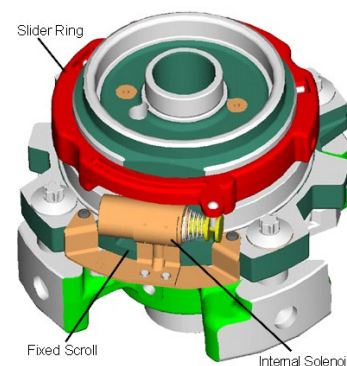
Compressor features high efficiency with uniform suction flow, constant discharge flow and high volumetric efficiency and quiet operation.

Compressor consists of two involute spiral scrolls matched together to generate a series of crescent shaped gas pockets between them. During compression, one scroll remains stationary while the other scroll orbits around it. Gas is drawn into the outer pocket, the pocket is sealed as the scroll rotates.

As the spiral movement continues, gas pockets are pushed to the center of the scrolls. Volume between the pockets is simultaneously reduced.

When pocket reaches the center, gas is now at high pressure and is forced out of a port located in the center of the fixed scrolls. During compression, several pockets are compressed simultaneously resulting in a smooth continuous compression cycle.

Continuous flank contact, maintained by centrifugal force, minimizes gas leakage and maximizes efficiency. Scroll compressor is tolerant to the effects of slugging and contaminants. If this occurs, scrolls separate, allowing liquid or contaminants to be worked toward the center and discharged.



On the fixed scroll there are two bypass ports in the first suction pocket. On the outside of the fixed scroll there is a "slider ring" that is controlled by an internal solenoid that will rotate and cover the bypass ports. When the thermostat calls for first-stage cooling, the bypass ports are open and the compressor operates

at 67% capacity, creating more cost-effective and efficient compressor operation. The bypassed refrigerant is returned to the compressor housing through the bypass ports. When the thermostat calls for second-stage cooling, the internal solenoid is energized, the slider ring rotates and covers the bypass ports, and the compressor operates at full capacity. Low gas pulses during compression reduces operational sound levels.

FEATURES

COMPRESSOR (CONTINUED)

Compressor motor is internally protected from excessive current and temperature.
Compressor is installed in the unit on specially formulated, resilient rubber mounts for better sound dampening and vibration free operation.

Crankcase Heater

Crankcase heater prevents migration of liquid refrigerant into compressor and ensures proper compressor lubrication.

OPTIONS

Compressor Hard Start Kit

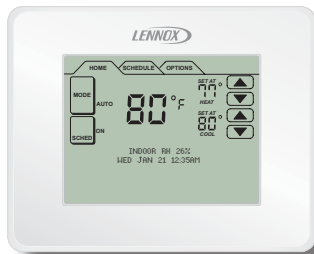
Single-phase units are equipped with a PSC compressor motor.
This type of motor normally does not need a potential relay and start capacitor.
In conditions such as low voltage, kit may be required to increase the compressor starting torque.
Hard start kit is required in applications where the supply voltage is less than 230V.

CONTROLS

OPTIONS

ComfortSense® 7000 Touchscreen Thermostat

Electronic 7-day, universal, multi-stage, programmable, touchscreen thermostat.
4 Heat/2 Cool.
Auto-changeover.
Controls humidity during cooling mode.



Offers enhanced capabilities including humidification / dehumidification / dewpoint measurement and control, Humiditrol® control, and equipment maintenance reminders.
Easy-to-use, menu driven thermostat with a back-lit, LCD touchscreen.
Remote outdoor temperature sensor (optional) allows the thermostat to display outdoor temperature. Required in dual fuel and Humiditrol® applications.
See the ComfortSense 7000 Engineering Handbook bulletin in the Controls section for more information.

Indoor Blower Off Delay Relay

Delays the indoor blower-off time during the cooling cycle.
See AHRI System Matches for usage.

Indoor Blower Speed Relay

Relay kit provides optimum humidity control conditions by automatically reducing indoor blower speed during continuous fan or first-stage compressor operation.

Low Ambient Kit

Air conditioner will operate satisfactorily down to 45°F outdoor air temperature without any additional controls. Kit can be added in the field enabling unit to operate properly down to 30°F.
A Freezestat should be installed on compressors equipped with a low ambient kit.
A Compressor Low Ambient Cut-Off should be added to terminate compressor operation below recommended operation conditions.

Thermostat

Thermostat not furnished with unit. See Thermostat bulletins in Controls Section and Lennox Price Book.

CABINET

- 7 Heavy-gauge steel construction
Pre-painted cabinet finish.
Painted base section.
Control box is conveniently located with all controls factory wired.
Large removable panel provides service access.
Drainage holes are provided in base section for moisture removal.
High density polyethylene unit support feet raise the unit off of the mounting surface, away from damaging moisture.

- 8 **SmarHinge™ Louvered Coil Protection**

Steel louvered panels provides complete coil protection.
Panels are hinged to allow easy cleaning and servicing of coils.
Panels may be completely removed.
Interlocking tabs and slots assure tight fit on cabinet.



- 9 **Refrigerant Line Connections, Electrical Inlets and Service Valves**

Suction and liquid lines are located on corner of unit cabinet and are made with sweat connections. See dimension drawing.
Fully serviceable brass service valves prevent corrosion and provide access to refrigerant system. Suction valve can be fully shut off, while liquid valve may be front seated to manage refrigerant charge while servicing system.
Refrigerant line connections and field wiring inlets are located in one central area of the cabinet. See dimension drawing.

SPECIFICATIONS

General Data		Model No.	XC16-024	XC16-036	XC16-048	XC16-060
Nominal Tonnage			2	3	4	5
Connections (sweat)	Liquid line (o.d.) - in.		3/8	3/8	3/8	3/8
	Suction line (o.d.) - in.		3/4	7/8	7/8	1-1/8
Refrigerant	¹ R-410A charge furnished		7 lbs. 6 oz.	8 lbs. 8 oz.	11 lbs. 4 oz.	14 lbs. 2 oz.
Outdoor Coil	Net face area - sq. ft.	Outer coil	21.00	24.5	21.00	24.93
		Inner coil	- - -	- - -	20.27	24.14
	Tube diameter - in.		5/16	5/16	5/16	5/16
	No. of rows		1	1	2	2
	Fins per inch		26	26	22	22
Outdoor Fan	Diameter - in.		22	22	22	26
	No. of blades		4	4	4	3
	Motor hp		1/6	1/6	1/4	1/3
	Cfm		3230	3260	3955	4380
	Rpm		840	840	835	850
	Watts		215	220	320	280
Shipping Data - lbs. 1 pkg.			230	249	268	323
ELECTRICAL DATA						
Line voltage data - 60hz			⁴ 230V-1ph	⁴ 230V-1ph	⁴ 230V-1ph	⁴ 230V-1ph
² Maximum overcurrent protection (amps)			20	35	45	60
³ Minimum circuit ampacity			13.6	22.0	28.2	33.9
Compressor	Rated load amps		10.3	16.7	21.2	25.9
	Locked rotor amps		52	82	96	118
	Power factor		0.98	0.99	0.99	0.99
Outdoor Fan Motor	Full load amps		1.1	1.1	1.7	1.8
	Locked Rotor amps		2.1	2.1	3.1	2.9
OPTIONAL ACCESSORIES - MUST BE ORDERED EXTRA						
ComfortSense® 7000 Thermostat	Y2081		•	•	•	•
Outdoor Temperature Sensor - for ComfortSense 7000 Thermostat	X2658		•	•	•	•
Compressor Hard Start Kit - Required in applications with less than 230V	10J42		•	•		
	81J69				•	•
Compressor Low Ambient Cut-Off	45F08		•	•	•	•
Compressor Time-Off Control	47J27		•	•	•	•
Freezestat	3/8 in. tubing	93G35	•	•	•	•
	5/8 in. tubing	50A93	•	•	•	•
Indoor Blower Off Delay Relay	58M81		•	•	•	•
Indoor Blower Speed Relay	40K58		•	•	•	•
Low Ambient Kit	34M72		•	•	•	•
Refrigerant Line Sets	L15-41-20	L15-41-40	•			
	L15-41-30	L15-41-50				
	L15-65-30	L15-65-40		•	•	
		L15-65-50				
	Field Fabricate					•

NOTE - Extremes of operating range are plus 10% and minus 5% of line voltage.

¹ Refrigerant charge sufficient for 15 ft. length of refrigerant lines.

² HACR type breaker or fuse.

³ Refer to National or Canadian Electrical Code manual to determine wire, fuse and disconnect size requirements.

⁴ Hard start kit is required in applications where the supply voltage is less than 230V.

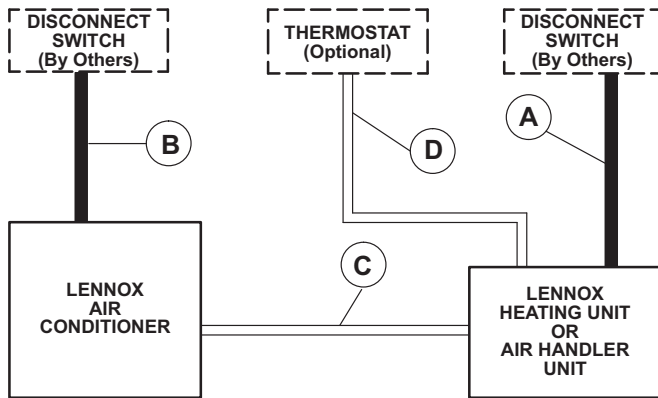
OUTDOOR SOUND DATA

¹ Unit Model No.	Octave Band Sound Power Levels dBA, re 10 ⁻¹² Watts								¹ Sound Rating Number (dB)
	63	125	250	500	1000	2000	4000	8000	
XC16-024	50	55	62	67	68.5	65.5	63	58.5	74
XC16-036	50.5	54.5	61	68	67	63	63	59.5	76
XC16-048	81.5	72	72	72.5	68.5	64.5	59.5	56.5	76
XC16-060	79	71	70.5	76.5	71	65	61.5	57.5	78

NOTE - the octave sound power data does not include tonal correction.

¹ Tested according to AHRI Standard 270-2008 test conditions.

FIELD WIRING



A - Two Wire Power (not furnished)

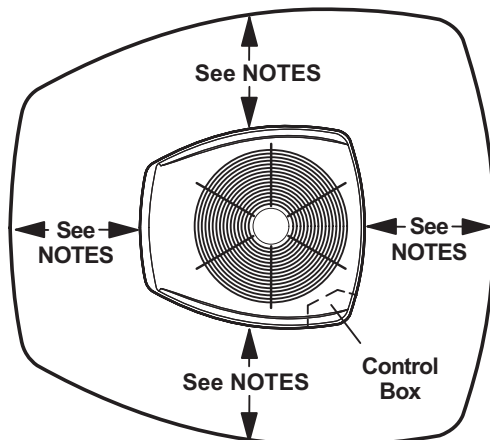
B - Two Power (not furnished). See Electrical Data

C - Four Wire Low Voltage (not furnished). 18 ga. minimum

D - Six Wire Low Voltage (not furnished). 18 ga. minimum

All wiring must conform to NEC or CEC and local electrical codes.

INSTALLATION CLEARANCES



NOTES:

Service clearance of 30 in. (762 mm) must be maintained on one of the sides adjacent to the control box.

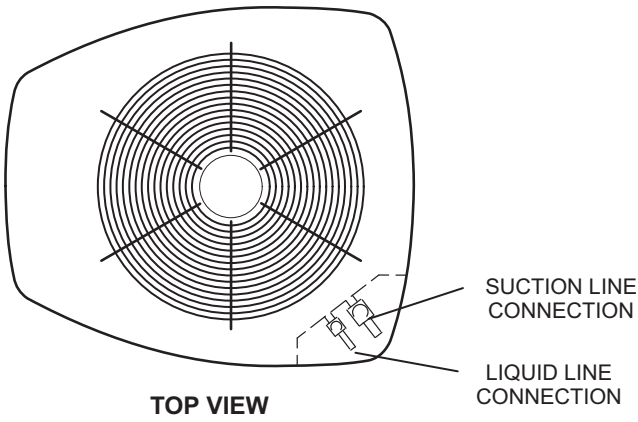
Clearance to one of the other three sides must be 36 in. (914 mm)

Clearance to one of the remaining two sides may be 12 in. (305 mm) and the final side may be 6 in. (152 mm).

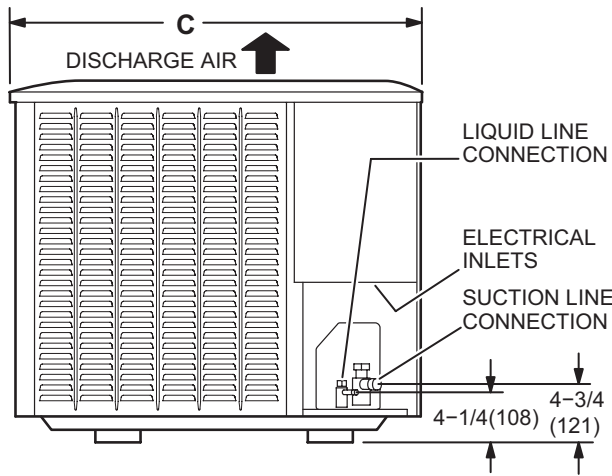
A clearance of 24 in. (610 mm) must be maintained between two units.

48 in. (1219 mm) clearance required on top of unit.

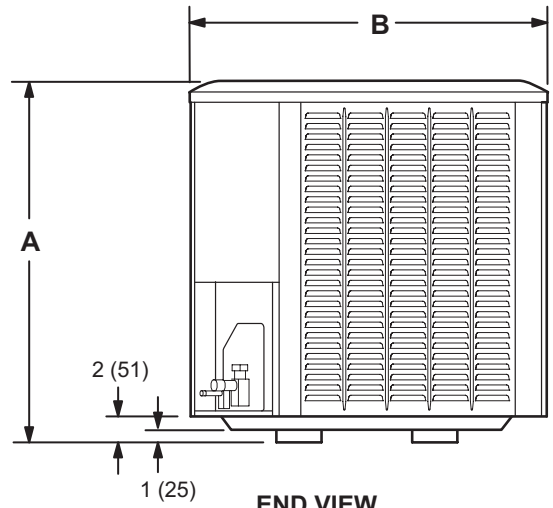
DIMENSIONS - INCHES (MM)



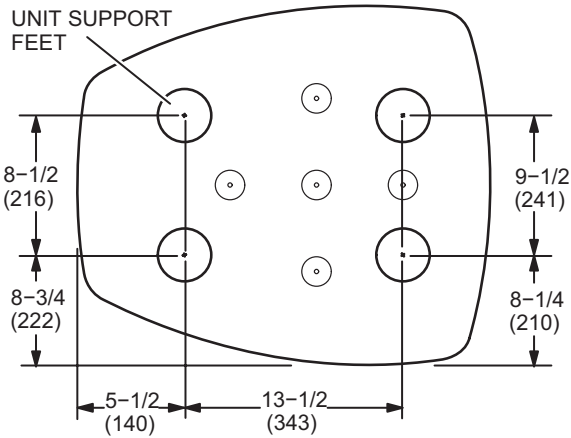
TOP VIEW



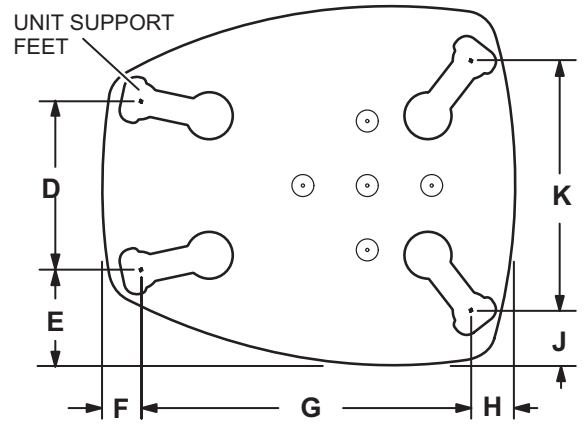
SIDE VIEW



END VIEW



XC16-024 BASE SECTION



XC16-036 TO -060 BASE SECTION

Model No.	A		B		C		D		E		F		G		H		J		K	
	in.	mm	in.	mm	in.	mm	in.	mm	in.	mm	in.	mm	in.	mm	in.	mm	in.	mm	in.	mm
XC16-024	39	991	30-1/2	775	35	889	---	---	---	---	---	---	---	---	---	---	---	---	---	---
XC16-036	45	1143	30-1/2	775	35	889	13-7/8	352	7-3/4	197	3-1/4	83	27-1/8	689	3-5/8	92	4-1/2	114	20-5/8	524
XC16-048	39	991	30-1/2	775	35	889	13-7/8	352	7-3/4	197	3-1/4	83	27-1/8	689	3-5/8	92	4-1/2	114	20-5/8	524
XC16-060	39	991	35-1/2	902	39-1/2	1003	16-7/8	429	8-3/4	222	3-1/8	79	30-3/4	781	4-5/8	117	3-3/4	95	26-7/8	683

THERMAL EXPANSION VALVES (TXV)

Model No.	Order No.
XC16-024	37L51
XC16-036	37L51
XC16-048	91M02
XC16-060	91M02

CX34 upflow coils and all Lennox air handlers (except CB26UH "R") are shipped with a factory installed TXV. In most cases, no change out of the valve is needed.

If a change out is required it will be listed in the "TXV SUBSTITUTIONS" table. The correct TXV must be ordered and field installed. C33 coils and all horizontal and downflow coils are shipped without a TXV. The TXV must be ordered and field installed.

MOST POPULAR MATCHES

Outdoor Unit Model No.	Indoor Unit Model No
XC16-024	CX34-36B with G60UHV-36B-040
XC16-036	CX34-43C with G60UHV-60C-110
XC16-048	CX34-62C with G60UHV-60C-090
XC16-060	CX34-62C with G60UHV-60C-090

*TXV SUBSTITUTIONS

Indoor Coils/Air Handlers with factory installed expansion valves that require field replacement

Model No.	Indoor Coil or Air Handler	Order No.
XC16-024	CBX26UH-024	37L51
XC16-036	CX34-42	37L51
XC16-036	CX34-43	37L51
XC16-036	CX34-44/48	37L51
XC16-036	CX34-49	37L51
XC16-036	CBX26UH-030	37L51
XC16-036	CBX27UH-072	37L51
XC16-036	CBX32M-042	37L51
XC16-036	CBX32MV-024/030	37L51
XC16-036	CBX32MV-048	37L51
XC16-036	CBX40UHV-030	37L51
XC16-036	CBX40UHV-042	37L51
XC16-036	CBX40UHV-048	37L51
XC16-048	CX34-44/48	91M02
XC16-048	CBX26UH-042	91M02

*CX34 coils and all air handlers (except CB26UH "R") - the factory installed expansion valve must be replaced with the expansion valve listed (ordered separately). If the combination is not listed above, the factory installed TXV is used.

C33 and CH33 coils and CB26UH "R" air handlers - use the RFC shipped with the outdoor unit or replace the factory installed RFC with the expansion valve listed in the Thermal Expansion Valves Table.

CR33 and CH23 - use the RFC shipped with the outdoor unit or use the expansion valve listed in the Thermal Expansion Valves Table.

AHRI SYSTEM MATCHES

NOTE - For the latest up-to-date system matches please visit the AHRI web site at <http://www.ahridirectory.org>

Model No.	Capacity	SEER	EER	Coil or Air Handler	Furnace	AHRI Reference
XC16-024-230 + TXV	25,200	15.70	12.70	C33-19	CBWMV-24B-040	3496089
XC16-024-230 + TXV	25,400	16.50	12.70	C33-19	G60UHV-36A-070	3069061
XC16-024-230 + TXV	24,800	14.20	11.50	C33-19		3069056
XC16-024-230 + TXV	25,800	16.50	13.00	C33-25	G60UHV-36A-070	3069062
XC16-024-230 + TXV	26,000	16.70	13.20	C33-25	G60UHV-36B-090	3069063
XC16-024-230 + TXV	26,000	16.50	13.00	C33-25	G61MPV-36B-045	3069064
XC16-024-230 + TXV	25,800	16.50	13.00	C33-25	G61MPV-36B-070	3069065
XC16-024-230 + TXV	25,800	16.50	13.00	C33-25	G71MPP-36B-070	3069066
XC16-024-230 + TXV	25,200	14.20	11.70	C33-25		3069057
XC16-024-230 + TXV	25,200	16.00	12.70	C33-30	G60UHV-36A-070	3069067
XC16-024-230 + TXV	25,200	16.00	12.70	C33-30	G60UHV-36B-090	3069068
XC16-024-230 + TXV	25,200	15.70	12.50	C33-30	G61MPV-36B-045	3069069
XC16-024-230 + TXV	25,200	15.70	12.70	C33-30	G61MPV-36B-070	3069070

NOTES:

+ TXV = Matched with Thermostatic Expansion Valve.

Ratings are certified in accordance with USE certification program which is based on AHRI Standard 210/240; 95°F outdoor air temperature, 80°F db / 67°F wb entering evaporator air with 25 ft. of connecting refrigerant lines.

All ratings include the use of a blower time delay relay (TDR). All Lennox variable-speed furnaces and Air Handlers have time delay capabilities. Other Furnaces and Air Handlers may require an optional time delay relay (**58M81**) for field installation. See furnace or air handler specifications to determine if relay is needed.

Also see TXV Substitutions Table.

AHRI SYSTEM MATCHES

NOTE - For the latest up-to-date system matches please visit the AHRI web site at <http://www.ahridirectory.org>

Model No.	Capacity	SEER	EER	Coil or Air Handler	Furnace	AHRI Reference
XC16-024-230 + TXV	25,200	16.00	12.50	C33-30	G61MPV-36B-071	3069072
XC16-024-230 + TXV	25,000	16.00	12.70	C33-30	G61MPV-36C-090	3069163
XC16-024-230 + TXV	25,200	15.70	12.70	C33-30	G71MPP-36B-070	3069071
XC16-024-230 + TXV	25,000	16.00	12.70	C33-30	G71MPP-36C-090	3069164
XC16-024-230 + TXV	26,200	16.70	13.20	C33-31	G60UHV-36A-070	3069073
XC16-024-230 + TXV	26,400	17.00	13.50	C33-31	G60UHV-36B-090	3069074
XC16-024-230 + TXV	26,400	16.70	13.20	C33-31	G61MPV-36B-045	3069075
XC16-024-230 + TXV	26,200	16.70	13.20	C33-31	G61MPV-36B-070	3069076
XC16-024-230 + TXV	26,400	16.70	13.20	C33-31	G61MPV-36B-071	3069078
XC16-024-230 + TXV	26,200	16.70	13.20	C33-31	G71MPP-36B-070	3069077
XC16-024-230 + TXV	25,600	14.50	12.00	C33-31		3069058
XC16-024-230 + TXV	25,200	15.50	12.70	C33-36	CBWMV-24B-040	3493246
XC16-024-230 + TXV	25,800	16.50	13.00	C33-36	G60UHV-36A-070	3069079
XC16-024-230 + TXV	25,400	16.00	12.70	C33-36	G60UHV-36B-090	3068760
XC16-024-230 + TXV	25,800	16.50	13.00	C33-36	G61MPV-36B-045	3069080
XC16-024-230 + TXV	25,800	16.50	13.00	C33-36	G61MPV-36B-070	3069081
XC16-024-230 + TXV	25,800	16.50	13.00	C33-36	G61MPV-36B-071	3069083
XC16-024-230 + TXV	25,600	16.50	13.20	C33-36	G61MPV-36C-090	3069084
XC16-024-230 + TXV	25,800	16.50	13.00	C33-36	G71MPP-36B-070	3069082
XC16-024-230 + TXV	25,600	16.50	13.20	C33-36	G71MPP-36C-090	3069085
XC16-024-230 + TXV	24,600	13.70	11.50	C33-36		3069059
XC16-024-230 + TXV	26,400	17.00	13.20	C33-38	G60UHV-36A-070	3069086
XC16-024-230 + TXV	26,600	17.00	13.50	C33-38	G60UHV-36B-090	3069087
XC16-024-230 + TXV	26,600	16.70	13.20	C33-38	G61MPV-36B-045	3069088
XC16-024-230 + TXV	26,400	17.00	13.20	C33-38	G61MPV-36B-070	3069089
XC16-024-230 + TXV	26,600	17.00	13.20	C33-38	G61MPV-36B-071	3069091
XC16-024-230 + TXV	26,400	17.00	13.20	C33-38	G71MPP-36B-070	3069090
XC16-024-230 + TXV	25,400	14.20	11.70	C33-38		3069060
XC16-024-230 + TXV	26,000	15.20	12.50	CB26UH-024		3069092
XC16-024-230 + TXV	26,000	16.20	13.20	CB27UH-024-230		3069094
XC16-024-230 + TXV	26,200	17.00	13.50	CB27UH-030-230		3069095
XC16-024-230 + TXV	25,400	14.50	12.00	CB30M-21/26P		3069093
XC16-024-230 + TXV	26,000	15.20	12.50	CBX26UH-024		3068837
XC16-024-230 + TXV	26,000	16.20	13.20	CBX27UH-024-230		3068841
XC16-024-230 + TXV	26,200	17.00	13.50	CBX27UH-030-230		3068842
XC16-024-230 + TXV	25,400	14.50	12.00	CBX32M-018/024		3068838
XC16-024-230 + TXV	25,400	15.50	12.20	CBX32MV-018/024		3068839
XC16-024-230 + TXV	25,600	15.50	12.50	CBX32MV-024/030		3068840
XC16-024-230 + TXV	25,400	15.50	12.20	CBX40UHV-024		3291609
XC16-024-230 + TXV	25,600	15.50	12.50	CBX40UHV-030		3291634
XC16-024-230 + TXV	24,600	16.00	12.70	CH23-31	G61MPV-36B-070	3068814
XC16-024-230 + TXV	24,600	16.00	12.70	CH23-31	G71MPP-36B-070	3068815

NOTES:

+ TXV = Matched with Thermostatic Expansion Valve.

Ratings are certified in accordance with USE certification program which is based on AHRI Standard 210/240; 95°F outdoor air temperature, 80°F db / 67°F wb entering evaporator air with 25 ft. of connecting refrigerant lines.

All ratings include the use of a blower time delay relay (TDR). All Lennox variable-speed furnaces and Air Handlers have time delay capabilities. Other Furnaces and Air Handlers may require an optional time delay relay (**58M81**) for field installation. See furnace or air handler specifications to determine if relay is needed.

Also see TXV Substitutions Table.

AHRI SYSTEM MATCHES

NOTE - For the latest up-to-date system matches please visit the AHRI web site at <http://www.ahridirectory.org>

Model No.	Capacity	SEER	EER	Coil or Air Handler	Furnace	AHRI Reference
XC16-024-230 + TXV	24,000	13.50	11.00	CH23-31		3068767
XC16-024-230 + TXV	25,800	16.50	13.00	CH23-41	G60UHV-36A-070	3068816
XC16-024-230 + TXV	25,200	14.20	11.70	CH23-41		3068768
XC16-024-230 + TXV	25,400	16.20	12.70	CH33-19	G60UHV-36A-070	3068817
XC16-024-230 + TXV	24,800	14.00	11.50	CH33-19		3068769
XC16-024-230 + TXV	25,200	16.00	12.70	CH33-24/30	G60UHV-36A-070	3068818
XC16-024-230 + TXV	24,600	14.00	11.50	CH33-24/30		3068843
XC16-024-230 + TXV	26,000	16.50	13.00	CH33-25A	G60UHV-36A-070	3068819
XC16-024-230 + TXV	25,400	14.50	11.70	CH33-25A		3068772
XC16-024-230 + TXV	25,800	16.70	13.20	CH33-25B	G60UHV-36B-090	3068820
XC16-024-230 + TXV	25,800	16.50	13.00	CH33-25B	G61MPV-36B-045	3068821
XC16-024-230 + TXV	25,800	16.50	13.00	CH33-25B	G61MPV-36B-070	3068822
XC16-024-230 + TXV	26,000	16.50	13.00	CH33-25B	G61MPV-36B-071	3068824
XC16-024-230 + TXV	25,800	16.50	13.00	CH33-25B	G71MPP-36B-070	3068823
XC16-024-230 + TXV	25,200	14.20	11.70	CH33-25B		3068773
XC16-024-230 + TXV	26,400	16.70	13.20	CH33-31A	G60UHV-36A-070	3068825
XC16-024-230 + TXV	25,800	14.70	12.00	CH33-31A		3068774
XC16-024-230 + TXV	26,600	17.00	13.50	CH33-31B	G60UHV-36B-090	3068826
XC16-024-230 + TXV	26,400	16.70	13.20	CH33-31B	G61MPV-36B-045	3068827
XC16-024-230 + TXV	26,400	16.70	13.20	CH33-31B	G61MPV-36B-070	3068828
XC16-024-230 + TXV	26,600	17.00	13.20	CH33-31B	G61MPV-36B-071	3068830
XC16-024-230 + TXV	26,400	16.70	13.20	CH33-31B	G71MPP-36B-070	3068829
XC16-024-230 + TXV	25,800	14.50	12.00	CH33-31B		3068775
XC16-024-230 + TXV	25,600	16.20	12.70	CH33-36A	G60UHV-36A-070	3068831
XC16-024-230 + TXV	25,200	14.20	11.70	CH33-36A		3068770
XC16-024-230 + TXV	25,800	16.70	13.20	CH33-36B	G60UHV-36B-090	3068832
XC16-024-230 + TXV	25,800	16.20	13.00	CH33-36B	G61MPV-36B-045	3068833
XC16-024-230 + TXV	25,800	16.50	13.00	CH33-36B	G61MPV-36B-070	3068834
XC16-024-230 + TXV	25,800	16.50	13.00	CH33-36B	G61MPV-36B-071	3068836
XC16-024-230 + TXV	25,800	16.50	13.00	CH33-36B	G71MPP-36B-070	3068835
XC16-024-230 + TXV	25,000	14.20	11.70	CH33-36B		3068771
XC16-024-230 + TXV	26,200	16.70	13.00	CR33-30/36	G60DFV-36A-070	3068808
XC16-024-230 + TXV	26,600	17.20	13.50	CR33-30/36	G60DFV-36B-090	3068809
XC16-024-230 + TXV	26,200	16.70	13.20	CR33-30/36	G61MPV-36B-045	3068810
XC16-024-230 + TXV	26,200	16.70	13.20	CR33-30/36	G61MPV-36B-070	3068811
XC16-024-230 + TXV	26,200	16.70	13.20	CR33-30/36	G61MPV-36B-071	3068813
XC16-024-230 + TXV	26,200	16.70	13.20	CR33-30/36	G71MPP-36B-070	3068812
XC16-024-230 + TXV	25,400	14.50	11.70	CR33-30/36		3068766
XC16-024-230 + TXV	25,200	15.70	12.70	CX34-18/24	CBWMV-24B-040	3496087
XC16-024-230 + TXV	25,400	16.50	12.70	CX34-18/24	G60UHV-36A-070	3493257
XC16-024-230 + TXV	24,800	14.20	11.50	CX34-18/24		3493256
XC16-024-230 + TXV	25,400	16.50	12.70	CX34-19	G60UHV-36A-070	3068776

NOTES:

+ TXV = Matched with Thermostatic Expansion Valve.

Ratings are certified in accordance with USE certification program which is based on AHRI Standard 210/240; 95°F outdoor air temperature, 80°F db / 67°F wb entering evaporator air with 25 ft. of connecting refrigerant lines.

All ratings include the use of a blower time delay relay (TDR). All Lennox variable-speed furnaces and Air Handlers have time delay capabilities. Other Furnaces and Air Handlers may require an optional time delay relay (**58M81**) for field installation. See furnace or air handler specifications to determine if relay is needed.

Also see TXV Substitutions Table.

AHRI SYSTEM MATCHES

NOTE - For the latest up-to-date system matches please visit the AHRI web site at <http://www.ahridirectory.org>

Model No.	Capacity	SEER	EER	Coil or Air Handler	Furnace	AHRI Reference
XC16-024-230 + TXV	24,800	14.20	11.50	CX34-19		3068761
XC16-024-230 + TXV	25,800	16.50	13.00	CX34-25	G60UHV-36A-070	3068777
XC16-024-230 + TXV	26,000	16.70	13.20	CX34-25	G60UHV-36B-090	3068778
XC16-024-230 + TXV	26,000	16.50	13.00	CX34-25	G61MPV-36B-045	3068779
XC16-024-230 + TXV	25,800	16.50	13.00	CX34-25	G61MPV-36B-070	3068780
XC16-024-230 + TXV	25,800	16.50	13.00	CX34-25	G71MPP-36B-070	3068781
XC16-024-230 + TXV	25,200	14.20	11.70	CX34-25		3068762
XC16-024-230 + TXV	25,200	16.00	12.70	CX34-30	G60UHV-36A-070	3068782
XC16-024-230 + TXV	25,200	16.00	12.70	CX34-30	G60UHV-36B-090	3068783
XC16-024-230 + TXV	25,200	15.70	12.50	CX34-30	G61MPV-36B-045	3068784
XC16-024-230 + TXV	25,200	15.70	12.70	CX34-30	G61MPV-36B-070	3068785
XC16-024-230 + TXV	25,200	16.00	12.50	CX34-30	G61MPV-36B-071	3068787
XC16-024-230 + TXV	25,000	16.00	12.70	CX34-30	G61MPV-36C-090	3068844
XC16-024-230 + TXV	25,200	15.70	12.70	CX34-30	G71MPP-36B-070	3068786
XC16-024-230 + TXV	25,000	16.00	12.70	CX34-30	G71MPP-36C-090	3068845
XC16-024-230 + TXV	26,200	16.70	13.20	CX34-31	G60UHV-36A-070	3068788
XC16-024-230 + TXV	26,400	17.00	13.50	CX34-31	G60UHV-36B-090	3068789
XC16-024-230 + TXV	26,400	16.70	13.20	CX34-31	G61MPV-36B-045	3068790
XC16-024-230 + TXV	26,200	16.70	13.20	CX34-31	G61MPV-36B-070	3068791
XC16-024-230 + TXV	26,400	16.70	13.20	CX34-31	G61MPV-36B-071	3068793
XC16-024-230 + TXV	26,200	16.70	13.20	CX34-31	G71MPP-36B-070	3068792
XC16-024-230 + TXV	25,600	14.50	12.00	CX34-31		3068763
XC16-024-230 + TXV	25,200	15.50	12.70	CX34-36	CBWMV-24B-040	3493247
XC16-024-230 + TXV	25,800	16.50	13.00	CX34-36	G60UHV-36A-070	3068794
XC16-024-230 + TXV	25,800	16.70	13.20	CX34-36	G60UHV-36B-090	3068795
XC16-024-230 + TXV	25,800	16.50	13.00	CX34-36	G61MPV-36B-045	3068796
XC16-024-230 + TXV	25,800	16.50	13.00	CX34-36	G61MPV-36B-070	3068797
XC16-024-230 + TXV	25,800	16.50	13.00	CX34-36	G61MPV-36B-071	3068799
XC16-024-230 + TXV	25,600	16.50	13.20	CX34-36	G61MPV-36C-090	3068800
XC16-024-230 + TXV	25,800	16.50	13.00	CX34-36	G71MPP-36B-070	3068798
XC16-024-230 + TXV	25,600	16.50	13.20	CX34-36	G71MPP-36C-090	3068801
XC16-024-230 + TXV	24,600	13.70	11.50	CX34-36		3068764
XC16-024-230 + TXV	26,400	17.00	13.20	CX34-38	G60UHV-36A-070	3068802
XC16-024-230 + TXV	26,600	17.00	13.50	CX34-38	G60UHV-36B-090	3068803
XC16-024-230 + TXV	26,600	16.70	13.20	CX34-38	G61MPV-36B-045	3068804
XC16-024-230 + TXV	26,400	17.00	13.20	CX34-38	G61MPV-36B-070	3068805
XC16-024-230 + TXV	26,600	17.00	13.20	CX34-38	G61MPV-36B-071	3068807
XC16-024-230 + TXV	26,400	17.00	13.20	CX34-38	G71MPP-36B-070	3068806
XC16-024-230 + TXV	25,400	14.20	11.70	CX34-38		3068765
XC16-036-230 + TXV	34,400	15.50	11.20	C33-36	CBWMV-36C-090	3184066
XC16-036-230 + TXV	34,200	15.00	11.00	C33-36	G60UHV-36A-070	3069103
XC16-036-230 + TXV	34,600	15.70	11.50	C33-36	G60UHV-36B-090	3069104

NOTES:

+ TXV = Matched with Thermostatic Expansion Valve.

Ratings are certified in accordance with USE certification program which is based on AHRI Standard 210/240; 95°F outdoor air temperature, 80°F db / 67°F wb entering evaporator air with 25 ft. of connecting refrigerant lines.

All ratings include the use of a blower time delay relay (TDR). All Lennox variable-speed furnaces and Air Handlers have time delay capabilities. Other Furnaces and Air Handlers may require an optional time delay relay (**58M81**) for field installation. See furnace or air handler specifications to determine if relay is needed.

Also see TXV Substitutions Table.

AHRI SYSTEM MATCHES

NOTE - For the latest up-to-date system matches please visit the AHRI web site at <http://www.ahridirectory.org>

Model No.	Capacity	SEER	EER	Coil or Air Handler	Furnace	AHRI Reference
XC16-036-230 + TXV	35,000	16.00	11.50	C33-36	G60UHV-60C-090	3069105
XC16-036-230 + TXV	34,800	15.70	11.50	C33-36	G60UHV-60C-110	3069106
XC16-036-230 + TXV	34,200	15.20	11.00	C33-36	G61MPV-36B-045	3069107
XC16-036-230 + TXV	34,400	15.50	11.00	C33-36	G61MPV-36B-070	3069108
XC16-036-230 + TXV	34,200	15.20	11.00	C33-36	G61MPV-36B-071	3069110
XC16-036-230 + TXV	34,200	15.50	11.50	C33-36	G61MPV-36C-090	3069111
XC16-036-230 + TXV	34,400	15.50	11.00	C33-36	G71MPP-36B-070	3069109
XC16-036-230 + TXV	34,200	15.50	11.50	C33-36	G71MPP-36C-090	3069112
XC16-036-230 + TXV	33,800	13.70	10.70	C33-36		3069097
XC16-036-230 + TXV	35,600	15.70	11.50	C33-38	G60UHV-36A-070	3069113
XC16-036-230 + TXV	35,800	16.20	11.70	C33-38	G60UHV-36B-090	3069114
XC16-036-230 + TXV	35,600	16.00	11.20	C33-38	G61MPV-36B-045	3069115
XC16-036-230 + TXV	35,400	16.00	11.50	C33-38	G61MPV-36B-070	3069116
XC16-036-230 + TXV	35,400	16.00	11.50	C33-38	G61MPV-36B-071	3069118
XC16-036-230 + TXV	35,400	16.00	11.50	C33-38	G71MPP-36B-070	3069117
XC16-036-230 + TXV	34,600	14.00	10.90	C33-38		3069098
XC16-036-230 + TXV	34,400	15.70	11.50	C33-42	G60UHV-36B-090	3069119
XC16-036-230 + TXV	34,200	15.20	11.00	C33-42	G61MPV-36B-045	3069120
XC16-036-230 + TXV	34,000	15.20	11.00	C33-42	G61MPV-36B-070	3069121
XC16-036-230 + TXV	34,000	15.20	11.00	C33-42	G61MPV-36B-071	3069123
XC16-036-230 + TXV	34,000	15.20	11.00	C33-42	G71MPP-36B-070	3069122
XC16-036-230 + TXV	33,800	13.70	10.70	C33-42		3069099
XC16-036-230 + TXV	35,800	16.00	11.70	C33-43	CBWMV-36C-090	3184068
XC16-036-230 + TXV	36,000	16.20	12.00	C33-43	G60UHV-36B-090	3069124
XC16-036-230 + TXV	36,600	16.50	12.00	C33-43	G60UHV-60C-090	3069125
XC16-036-230 + TXV	36,000	16.50	12.00	C33-43	G60UHV-60C-110	3069096
XC16-036-230 + TXV	35,600	16.00	11.50	C33-43	G61MPV-36B-045	3069126
XC16-036-230 + TXV	35,400	16.00	11.50	C33-43	G61MPV-36B-070	3069127
XC16-036-230 + TXV	35,400	16.20	12.00	C33-43	G61MPV-36C-090	3069129
XC16-036-230 + TXV	36,200	16.20	12.00	C33-43	G61MPV-60C-090	3069131
XC16-036-230 + TXV	36,200	16.20	11.70	C33-43	G61MPV-60C-091	3069133
XC16-036-230 + TXV	36,200	16.00	12.00	C33-43	G61MPV-60C-110	3069134
XC16-036-230 + TXV	36,200	16.20	12.00	C33-43	G61MPV-60C-111	3069136
XC16-036-230 + TXV	35,400	16.00	11.50	C33-43	G71MPP-36B-070	3069128
XC16-036-230 + TXV	35,400	16.20	12.00	C33-43	G71MPP-36C-090	3069130
XC16-036-230 + TXV	36,200	16.20	12.00	C33-43	G71MPP-60C-090	3069132
XC16-036-230 + TXV	36,200	16.00	12.00	C33-43	G71MPP-60C-110	3069135
XC16-036-230 + TXV	35,200	14.20	11.00	C33-43		3069100
XC16-036-230 + TXV	36,000	16.20	12.00	C33-44C	G60UHV-60C-090	3068758
XC16-036-230 + TXV	35,800	16.20	11.70	C33-44C	G60UHV-60C-110	3068697
XC16-036-230 + TXV	35,200	16.00	11.70	C33-44C	G61MPV-36C-090	3068698
XC16-036-230 + TXV	35,600	16.20	11.70	C33-44C	G61MPV-60C-090	3068700

NOTES:

+ TXV = Matched with Thermostatic Expansion Valve.

Ratings are certified in accordance with USE certification program which is based on AHRI Standard 210/240; 95°F outdoor air temperature, 80°F db / 67°F wb entering evaporator air with 25 ft. of connecting refrigerant lines.

All ratings include the use of a blower time delay relay (TDR). All Lennox variable-speed furnaces and Air Handlers have time delay capabilities. Other Furnaces and Air Handlers may require an optional time delay relay (**58M81**) for field installation. See furnace or air handler specifications to determine if relay is needed.

Also see TXV Substitutions Table.

AHRI SYSTEM MATCHES

NOTE - For the latest up-to-date system matches please visit the AHRI web site at <http://www.ahridirectory.org>

Model No.	Capacity	SEER	EER	Coil or Air Handler	Furnace	AHRI Reference
XC16-036-230 + TXV	35,800	16.00	11.50	C33-44C	G61MPV-60C-091	3068702
XC16-036-230 + TXV	35,600	15.70	11.70	C33-44C	G61MPV-60C-110	3068703
XC16-036-230 + TXV	35,600	16.20	11.70	C33-44C	G61MPV-60C-111	3068705
XC16-036-230 + TXV	35,200	16.00	11.70	C33-44C	G71MPP-36C-090	3068699
XC16-036-230 + TXV	35,600	16.20	11.70	C33-44C	G71MPP-60C-090	3068701
XC16-036-230 + TXV	35,600	15.70	11.70	C33-44C	G71MPP-60C-110	3068704
XC16-036-230 + TXV	35,400	16.20	11.70	C33-48	G60UHV-36B-090	3069137
XC16-036-230 + TXV	36,000	16.20	11.70	C33-48	G60UHV-60C-090	3069138
XC16-036-230 + TXV	35,800	16.20	11.70	C33-48	G60UHV-60C-110	3069139
XC16-036-230 + TXV	35,200	15.70	11.20	C33-48	G61MPV-36B-045	3069140
XC16-036-230 + TXV	35,000	15.70	11.50	C33-48	G61MPV-36B-070	3069141
XC16-036-230 + TXV	35,200	15.70	11.20	C33-48	G61MPV-36B-071	3069143
XC16-036-230 + TXV	35,200	16.00	11.70	C33-48	G61MPV-36C-090	3069144
XC16-036-230 + TXV	35,600	16.00	11.70	C33-48	G61MPV-60C-090	3069146
XC16-036-230 + TXV	35,800	16.00	11.50	C33-48	G61MPV-60C-091	3069148
XC16-036-230 + TXV	35,600	15.70	11.70	C33-48	G61MPV-60C-110	3069149
XC16-036-230 + TXV	35,600	16.00	11.70	C33-48	G61MPV-60C-111	3069151
XC16-036-230 + TXV	35,000	15.70	11.50	C33-48	G71MPP-36B-070	3069142
XC16-036-230 + TXV	35,200	16.00	11.70	C33-48	G71MPP-36C-090	3069145
XC16-036-230 + TXV	35,600	16.00	11.70	C33-48	G71MPP-60C-090	3069147
XC16-036-230 + TXV	35,600	15.70	11.70	C33-48	G71MPP-60C-110	3069150
XC16-036-230 + TXV	34,800	14.20	10.90	C33-48		3069101
XC16-036-230 + TXV	35,600	14.50	11.00	C33-49		3069102
XC16-036-230 + TXV	34,800	14.70	11.20	CB26UH-030		3069152
XC16-036-230 + TXV	35,200	14.70	11.20	CB26UH-036		3069153
XC16-036-230 + TXV	35,000	15.70	11.70	CB27UH-036-230		3069157
XC16-036-230 + TXV	36,000	16.50	12.00	CB27UH-042-230		3069158
XC16-036-230 + TXV	34,200	15.00	11.00	CB30M-31P		3069154
XC16-036-230 + TXV	34,400	14.70	11.00	CB30M-41P		3069155
XC16-036-230 + TXV	34,600	14.70	11.20	CB30M-46P		3069156
XC16-036-230 + TXV	34,800	14.70	11.20	CBX26UH-030		3068746
XC16-036-230 + TXV	35,200	14.70	11.20	CBX26UH-036		3068747
XC16-036-230 + TXV	35,000	15.70	11.70	CBX27UH-036-230		3068754
XC16-036-230 + TXV	36,000	16.50	12.00	CBX27UH-042-230		3068755
XC16-036-230 + TXV	34,200	15.00	11.00	CBX32M-030		3068748
XC16-036-230 + TXV	34,400	14.70	11.00	CBX32M-036		3068749
XC16-036-230 + TXV	34,600	14.70	11.20	CBX32M-042		3068750
XC16-036-230 + TXV	34,400	15.50	11.20	CBX32MV-024/030		3068751
XC16-036-230 + TXV	35,000	16.00	11.50	CBX32MV-036		3068752
XC16-036-230 + TXV	36,000	16.50	12.00	CBX32MV-048		3068753
XC16-036-230 + TXV	34,400	15.50	11.20	CBX40UHV-030		3291635
XC16-036-230 + TXV	35,000	16.00	11.50	CBX40UHV-036		3291687

NOTES:

+ TXV = Matched with Thermostatic Expansion Valve.

Ratings are certified in accordance with USE certification program which is based on AHRI Standard 210/240; 95°F outdoor air temperature, 80°F db / 67°F wb entering evaporator air with 25 ft. of connecting refrigerant lines.

All ratings include the use of a blower time delay relay (TDR). All Lennox variable-speed furnaces and Air Handlers have time delay capabilities. Other Furnaces and Air Handlers may require an optional time delay relay (**58M81**) for field installation. See furnace or air handler specifications to determine if relay is needed.

Also see TXV Substitutions Table.

AHRI SYSTEM MATCHES

NOTE - For the latest up-to-date system matches please visit the AHRI web site at <http://www.ahridirectory.org>

Model No.	Capacity	SEER	EER	Coil or Air Handler	Furnace	AHRI Reference
XC16-036-230 + TXV	36,000	16.50	12.00	CBX40UHV-042		3291711
XC16-036-230 + TXV	36,000	16.50	12.00	CBX40UHV-048		3291797
XC16-036-230 + TXV	34,400	15.50	11.50	CH23-41	G61MPV-36B-070	3068714
XC16-036-230 + TXV	34,200	13.70	10.80	CH23-41		3068640
XC16-036-230 + TXV	34,600	14.00	10.90	CH23-65		3068641
XC16-036-230 + TXV	33,800	15.00	11.00	CH33-36A	G60UHV-36A-070	3068715
XC16-036-230 + TXV	32,600	13.00	10.30	CH33-36A		3068642
XC16-036-230 + TXV	34,000	15.70	11.50	CH33-36B	G60UHV-36B-090	3068716
XC16-036-230 + TXV	33,800	15.20	11.00	CH33-36B	G61MPV-36B-045	3068717
XC16-036-230 + TXV	33,800	15.20	11.20	CH33-36B	G61MPV-36B-070	3068718
XC16-036-230 + TXV	33,800	15.20	11.20	CH33-36B	G61MPV-36B-071	3068720
XC16-036-230 + TXV	33,800	15.20	11.20	CH33-36B	G71MPP-36B-070	3068719
XC16-036-230 + TXV	33,800	13.70	10.70	CH33-36B		3068643
XC16-036-230 + TXV	35,400	16.20	11.70	CH33-36C	G60UHV-60C-090	3068759
XC16-036-230 + TXV	35,200	16.00	11.70	CH33-36C	G60UHV-60C-110	3068721
XC16-036-230 + TXV	35,000	15.70	11.50	CH33-36C	G61MPV-36C-090	3068722
XC16-036-230 + TXV	35,000	15.70	11.50	CH33-36C	G71MPP-36C-090	3068723
XC16-036-230 + TXV	34,200	14.00	10.80	CH33-36C		3068644
XC16-036-230 + TXV	35,400	16.00	11.50	CH33-42	G60UHV-36B-090	3068724
XC16-036-230 + TXV	34,800	15.50	11.20	CH33-42	G61MPV-36B-045	3068725
XC16-036-230 + TXV	34,800	15.50	11.20	CH33-42	G61MPV-36B-070	3068726
XC16-036-230 + TXV	34,800	15.50	11.20	CH33-42	G61MPV-36B-071	3068728
XC16-036-230 + TXV	34,800	15.50	11.20	CH33-42	G71MPP-36B-070	3068727
XC16-036-230 + TXV	34,600	14.20	10.90	CH33-42		3068645
XC16-036-230 + TXV	36,200	16.20	12.00	CH33-43B	G60UHV-36B-090	3068729
XC16-036-230 + TXV	35,800	16.00	11.50	CH33-43B	G61MPV-36B-045	3068730
XC16-036-230 + TXV	36,200	16.00	11.50	CH33-43B	G61MPV-36B-070	3068731
XC16-036-230 + TXV	36,000	16.00	11.50	CH33-43B	G61MPV-36B-071	3068733
XC16-036-230 + TXV	36,200	16.00	11.50	CH33-43B	G71MPP-36B-070	3068732
XC16-036-230 + TXV	35,800	14.50	11.00	CH33-43B		3068646
XC16-036-230 + TXV	36,600	16.50	12.00	CH33-43C	G60UHV-60C-090	3068734
XC16-036-230 + TXV	36,400	16.50	12.00	CH33-43C	G60UHV-60C-110	3068735
XC16-036-230 + TXV	35,400	16.20	12.00	CH33-43C	G61MPV-36C-090	3068736
XC16-036-230 + TXV	35,400	14.50	11.00	CH33-43C		3068647
XC16-036-230 + TXV	35,400	16.00	11.70	CH33-44/48	G60UHV-36B-090	3068737
XC16-036-230 + TXV	35,200	15.70	11.50	CH33-44/48	G61MPV-36B-045	3068738
XC16-036-230 + TXV	35,200	15.70	11.50	CH33-44/48	G61MPV-36B-070	3068739
XC16-036-230 + TXV	35,200	15.70	11.50	CH33-44/48	G61MPV-36B-071	3068741
XC16-036-230 + TXV	35,200	15.70	11.50	CH33-44/48	G71MPP-36B-070	3068740
XC16-036-230 + TXV	35,200	14.20	11.00	CH33-44/48		3068648
XC16-036-230 + TXV	35,200	14.20	11.00	CH33-48		3068649
XC16-036-230 + TXV	36,400	16.50	12.00	CH33-48C	G60UHV-60C-090	3068742

NOTES:

+ TXV = Matched with Thermostatic Expansion Valve.

Ratings are certified in accordance with USE certification program which is based on AHRI Standard 210/240; 95°F outdoor air temperature, 80°F db / 67°F wb entering evaporator air with 25 ft. of connecting refrigerant lines.

All ratings include the use of a blower time delay relay (TDR). All Lennox variable-speed furnaces and Air Handlers have time delay capabilities. Other Furnaces and Air Handlers may require an optional time delay relay (**58M81**) for field installation. See furnace or air handler specifications to determine if relay is needed.

Also see TXV Substitutions Table.

AHRI SYSTEM MATCHES

NOTE - For the latest up-to-date system matches please visit the AHRI web site at <http://www.ahridirectory.org>

Model No.	Capacity	SEER	EER	Coil or Air Handler	Furnace	AHRI Reference
XC16-036-230 + TXV	36,200	16.50	12.00	CH33-48C	G60UHV-60C-110	3068743
XC16-036-230 + TXV	35,600	16.20	11.70	CH33-48C	G61MPV-36C-090	3068744
XC16-036-230 + TXV	35,600	16.20	11.70	CH33-48C	G71MPP-36C-090	3068745
XC16-036-230 + TXV	34,600	15.20	11.00	CR33-30/36	G60DFV-36A-070	3068706
XC16-036-230 + TXV	34,600	15.70	11.50	CR33-30/36	G60DFV-36B-090	3068707
XC16-036-230 + TXV	34,400	15.20	11.00	CR33-30/36	G61MPV-36B-045	3068708
XC16-036-230 + TXV	34,400	15.50	11.20	CR33-30/36	G61MPV-36B-070	3068709
XC16-036-230 + TXV	34,200	15.50	11.00	CR33-30/36	G61MPV-36B-071	3068711
XC16-036-230 + TXV	34,600	15.50	11.50	CR33-30/36	G61MPV-36C-090	3068712
XC16-036-230 + TXV	34,400	15.50	11.20	CR33-30/36	G71MPP-36B-070	3068710
XC16-036-230 + TXV	34,600	15.50	11.50	CR33-30/36	G71MPP-36C-090	3068713
XC16-036-230 + TXV	34,200	14.00	10.70	CR33-30/36		3068638
XC16-036-230 + TXV	34,000	13.70	10.70	CR33-48		3068639
XC16-036-230 + TXV	34,400	15.50	11.20	CX34-36	CBWMV-36C-090	3184067
XC16-036-230 + TXV	34,200	15.00	11.00	CX34-36	G60UHV-36A-070	3068650
XC16-036-230 + TXV	34,600	15.70	11.50	CX34-36	G60UHV-36B-090	3068651
XC16-036-230 + TXV	35,000	16.00	11.50	CX34-36	G60UHV-60C-090	3068756
XC16-036-230 + TXV	34,800	15.70	11.50	CX34-36	G60UHV-60C-110	3068652
XC16-036-230 + TXV	34,200	15.20	11.00	CX34-36	G61MPV-36B-045	3068653
XC16-036-230 + TXV	34,400	15.50	11.00	CX34-36	G61MPV-36B-070	3068654
XC16-036-230 + TXV	34,200	15.20	11.00	CX34-36	G61MPV-36B-071	3068656
XC16-036-230 + TXV	34,200	15.50	11.50	CX34-36	G61MPV-36C-090	3068657
XC16-036-230 + TXV	34,400	15.50	11.00	CX34-36	G71MPP-36B-070	3068655
XC16-036-230 + TXV	34,200	15.50	11.50	CX34-36	G71MPP-36C-090	3068658
XC16-036-230 + TXV	33,800	13.70	10.70	CX34-36		3068632
XC16-036-230 + TXV	35,600	15.70	11.50	CX34-38	G60UHV-36A-070	3068659
XC16-036-230 + TXV	35,800	16.20	11.70	CX34-38	G60UHV-36B-090	3068660
XC16-036-230 + TXV	35,600	16.00	11.20	CX34-38	G61MPV-36B-045	3068661
XC16-036-230 + TXV	35,400	16.00	11.50	CX34-38	G61MPV-36B-070	3068662
XC16-036-230 + TXV	35,400	16.00	11.50	CX34-38	G61MPV-36B-071	3068664
XC16-036-230 + TXV	35,400	16.00	11.50	CX34-38	G71MPP-36B-070	3068663
XC16-036-230 + TXV	34,600	14.00	10.90	CX34-38		3068633
XC16-036-230 + TXV	34,400	15.70	11.50	CX34-42	G60UHV-36B-090	3068665
XC16-036-230 + TXV	34,200	15.20	11.00	CX34-42	G61MPV-36B-045	3068666
XC16-036-230 + TXV	34,000	15.20	11.00	CX34-42	G61MPV-36B-070	3068667
XC16-036-230 + TXV	34,000	15.20	11.00	CX34-42	G61MPV-36B-071	3068669
XC16-036-230 + TXV	34,000	15.20	11.00	CX34-42	G71MPP-36B-070	3068668
XC16-036-230 + TXV	33,800	13.70	10.70	CX34-42		3068634
XC16-036-230 + TXV	35,800	16.00	11.70	CX34-43	CBWMV-36C-090	3184069
XC16-036-230 + TXV	36,000	16.20	12.00	CX34-43	G60UHV-36B-090	3068670
XC16-036-230 + TXV	36,600	16.50	12.00	CX34-43	G60UHV-60C-090	3068671
XC16-036-230 + TXV	36,000	16.50	12.00	CX34-43	G60UHV-60C-110	3068631

NOTES:

+ TXV = Matched with Thermostatic Expansion Valve.

Ratings are certified in accordance with USE certification program which is based on AHRI Standard 210/240; 95°F outdoor air temperature, 80°F db / 67°F wb entering evaporator air with 25 ft. of connecting refrigerant lines.

All ratings include the use of a blower time delay relay (TDR). All Lennox variable-speed furnaces and Air Handlers have time delay capabilities. Other Furnaces and Air Handlers may require an optional time delay relay (**58M81**) for field installation. See furnace or air handler specifications to determine if relay is needed.

Also see TXV Substitutions Table.

AHRI SYSTEM MATCHES

NOTE - For the latest up-to-date system matches please visit the AHRI web site at <http://www.ahridirectory.org>

Model No.	Capacity	SEER	EER	Coil or Air Handler	Furnace	AHRI Reference
XC16-036-230 + TXV	35,600	16.00	11.50	CX34-43	G61MPV-36B-045	3068672
XC16-036-230 + TXV	35,400	16.00	11.50	CX34-43	G61MPV-36B-070	3068673
XC16-036-230 + TXV	35,400	16.20	12.00	CX34-43	G61MPV-36C-090	3068675
XC16-036-230 + TXV	36,200	16.20	12.00	CX34-43	G61MPV-60C-090	3068677
XC16-036-230 + TXV	36,200	16.20	11.70	CX34-43	G61MPV-60C-091	3068679
XC16-036-230 + TXV	36,200	16.00	12.00	CX34-43	G61MPV-60C-110	3068680
XC16-036-230 + TXV	36,200	16.20	12.00	CX34-43	G61MPV-60C-111	3068682
XC16-036-230 + TXV	35,400	16.00	11.50	CX34-43	G71MPP-36B-070	3068674
XC16-036-230 + TXV	35,400	16.20	12.00	CX34-43	G71MPP-36C-090	3068676
XC16-036-230 + TXV	36,200	16.20	12.00	CX34-43	G71MPP-60C-090	3068678
XC16-036-230 + TXV	36,200	16.00	12.00	CX34-43	G71MPP-60C-110	3068681
XC16-036-230 + TXV	35,200	14.20	11.00	CX34-43		3068635
XC16-036-230 + TXV	35,400	16.20	11.70	CX34-44/48	G60UHV-36B-090	3068683
XC16-036-230 + TXV	36,000	16.20	11.70	CX34-44/48	G60UHV-60C-090	3068757
XC16-036-230 + TXV	35,800	16.20	11.70	CX34-44/48	G60UHV-60C-110	3068684
XC16-036-230 + TXV	35,200	15.70	11.20	CX34-44/48	G61MPV-36B-045	3068685
XC16-036-230 + TXV	35,000	15.70	11.50	CX34-44/48	G61MPV-36B-070	3068686
XC16-036-230 + TXV	35,200	15.70	11.20	CX34-44/48	G61MPV-36B-071	3068688
XC16-036-230 + TXV	35,200	16.00	11.70	CX34-44/48	G61MPV-36C-090	3068689
XC16-036-230 + TXV	35,600	16.00	11.70	CX34-44/48	G61MPV-60C-090	3068691
XC16-036-230 + TXV	35,800	16.00	11.50	CX34-44/48	G61MPV-60C-091	3068693
XC16-036-230 + TXV	35,600	15.70	11.70	CX34-44/48	G61MPV-60C-110	3068694
XC16-036-230 + TXV	35,600	16.00	11.70	CX34-44/48	G61MPV-60C-111	3068696
XC16-036-230 + TXV	35,000	15.70	11.50	CX34-44/48	G71MPP-36B-070	3068687
XC16-036-230 + TXV	35,200	16.00	11.70	CX34-44/48	G71MPP-36C-090	3068690
XC16-036-230 + TXV	35,600	16.00	11.70	CX34-44/48	G71MPP-60C-090	3068692
XC16-036-230 + TXV	35,600	15.70	11.70	CX34-44/48	G71MPP-60C-110	3068695
XC16-036-230 + TXV	34,800	14.20	10.90	CX34-44/48		3068636
XC16-036-230 + TXV	35,600	14.50	11.00	CX34-49		3068637
XC16-048-230 + TXV	45,500	15.00	11.70	C33-44C	G60UHV-60C-090	1003984
XC16-048-230 + TXV	45,500	14.70	11.50	C33-44C	G61MPV-60C-090	1003983
XC16-048-230 + TXV	45,500	14.50	11.50	C33-44C	G61MPV-60C-110	1003988
XC16-048-230 + TXV	45,500	14.70	11.20	C33-44C	G61MPV-60C-091	1046650
XC16-048-230 + TXV	45,500	14.50	11.50	C33-44C	G61MPV-60C-111	1046651
XC16-048-230 + TXV	45,500	14.50	11.50	C33-44C	G71MPP-60C-110	1488411
XC16-048-230 + TXV	46,000	15.00	11.70	C33-48	G60UHV-60C-090	1003987
XC16-048-230 + TXV	45,500	15.00	11.70	C33-48	G60UHV-60C-110	1003990
XC16-048-230 + TXV	45,500	14.50	11.50	C33-48	G61MPV-60C-110	1003986
XC16-048-230 + TXV	45,000	14.20	11.20	C33-48	O23V5-140/154	1038249
XC16-048-230 + TXV	45,500	13.70	11.20	C33-48		1003999
XC16-048-230 + TXV	45,500	14.70	11.20	C33-48	G61MPV-60C-091	1046652
XC16-048-230 + TXV	45,500	14.50	11.50	C33-48	G61MPV-60C-111	1046653

NOTES:

+ TXV = Matched with Thermostatic Expansion Valve.

Ratings are certified in accordance with USE certification program which is based on AHRI Standard 210/240; 95°F outdoor air temperature, 80°F db / 67°F wb entering evaporator air with 25 ft. of connecting refrigerant lines.

All ratings include the use of a blower time delay relay (TDR). All Lennox variable-speed furnaces and Air Handlers have time delay capabilities. Other Furnaces and Air Handlers may require an optional time delay relay (**58M81**) for field installation. See furnace or air handler specifications to determine if relay is needed.

Also see TXV Substitutions Table.

AHRI SYSTEM MATCHES

NOTE - For the latest up-to-date system matches please visit the AHRI web site at <http://www.ahridirectory.org>

Model No.	Capacity	SEER	EER	Coil or Air Handler	Furnace	AHRI Reference
XC16-048-230 + TXV	45,500	14.70	11.50	C33-48	G71MPP-60C-090	3145298
XC16-048-230 + TXV	45,500	14.50	11.50	C33-48	G71MPP-60C-110	1488410
XC16-048-230 + TXV	47,500	15.50	12.20	C33-49	G60UHV-60C-090	1003772
XC16-048-230 + TXV	47,500	15.50	12.20	C33-49	G60UHV-60C-110	1003773
XC16-048-230 + TXV	47,500	15.20	12.00	C33-49	G61MPV-60C-090	1003774
XC16-048-230 + TXV	47,500	15.00	12.00	C33-49	G61MPV-60C-110	1003775
XC16-048-230 + TXV	46,500	14.70	11.70	C33-49	O23V5-140/154	1038250
XC16-048-230 + TXV	47,000	14.20	11.70	C33-49		1003730
XC16-048-230 + TXV	47,500	15.00	11.70	C33-49	G61MPV-60C-091	1046654
XC16-048-230 + TXV	47,000	15.00	11.70	C33-49	G61MPV-60C-111	1046655
XC16-048-230 + TXV	47,500	15.20	12.00	C33-49	G71MPP-60C-090	3145301
XC16-048-230 + TXV	47,500	15.00	12.00	C33-49	G71MPP-60C-110	1488403
XC16-048-230 + TXV	46,500	15.20	11.70	C33-50/60C	G60UHV-60C-090	1003769
XC16-048-230 + TXV	46,500	15.00	11.70	C33-50/60C	G60UHV-60C-110	1003759
XC16-048-230 + TXV	46,000	15.00	11.70	C33-50/60C	G61MPV-60C-090	1003766
XC16-048-230 + TXV	46,000	14.70	11.70	C33-50/60C	G61MPV-60C-110	1003768
XC16-048-230 + TXV	46,000	14.50	11.20	C33-50/60C	O23V5-140/154	1038251
XC16-048-230 + TXV	46,500	13.70	11.20	C33-50/60C		1003726
XC16-048-230 + TXV	46,000	15.20	11.20	C33-50/60C	CBWMV-60C-100	1088641
XC16-048-230 + TXV	46,000	14.70	11.50	C33-50/60C	G61MPV-60C-091	1046656
XC16-048-230 + TXV	46,000	14.70	11.70	C33-50/60C	G61MPV-60C-111	1046657
XC16-048-230 + TXV	46,000	15.00	11.70	C33-50/60C	G71MPP-60C-090	3145296
XC16-048-230 + TXV	46,000	14.70	11.70	C33-50/60C	G71MPP-60C-110	1488402
XC16-048-230 + TXV	47,000	15.70	12.20	C33-60D	G60UHV-60D-135	1003982
XC16-048-230 + TXV	46,500	15.00	11.50	C33-60D	O23V5-140/154	1003981
XC16-048-230 + TXV	46,500	14.00	11.50	C33-60D		1004000
XC16-048-230 + TXV	47,000	15.50	12.20	C33-60D	G61MPV-60D-135	3133211
XC16-048-230 + TXV	48,000	15.70	12.30	C33-62C	G60UHV-60C-090	1003980
XC16-048-230 + TXV	48,000	15.70	12.20	C33-62C	G60UHV-60C-110	1003979
XC16-048-230 + TXV	48,000	15.70	12.20	C33-62C	G61MPV-60C-090	1003978
XC16-048-230 + TXV	47,500	15.20	12.00	C33-62C	O23V5-140/154	1003977
XC16-048-230 + TXV	47,500	14.20	11.70	C33-62C		1003996
XC16-048-230 + TXV	48,000	15.50	12.00	C33-62C	G61MPV-60C-091	1046658
XC16-048-230 + TXV	48,000	15.50	12.30	C33-62C	G61MPV-60C-111	1046659
XC16-048-230 + TXV	48,000	15.50	12.30	C33-62C	G71MPP-60C-090	3145297
XC16-048-230 + TXV	47,500	15.70	12.50	C33-62D	G60UHV-60D-135	1003976
XC16-048-230 + TXV	47,000	15.20	12.00	C33-62D	O23V5-140/154	1003975
XC16-048-230 + TXV	47,000	14.20	11.50	C33-62D		1003997
XC16-048-230 + TXV	48,000	14.70	11.70	CB26UH-042		1003995
XC16-048-230 + TXV	48,000	14.70	11.70	CB26UH-042-R		1186491
XC16-048-230 + TXV	48,000	14.70	12.00	CB26UH-048		1003952
XC16-048-230 + TXV	48,000	14.70	12.00	CB26UH-048-R		1186489

NOTES:

+ TXV = Matched with Thermostatic Expansion Valve.

Ratings are certified in accordance with USE certification program which is based on AHRI Standard 210/240; 95°F outdoor air temperature, 80°F db / 67°F wb entering evaporator air with 25 ft. of connecting refrigerant lines.

All ratings include the use of a blower time delay relay (TDR). All Lennox variable-speed furnaces and Air Handlers have time delay capabilities. Other Furnaces and Air Handlers may require an optional time delay relay (**58M81**) for field installation. See furnace or air handler specifications to determine if relay is needed.

Also see TXV Substitutions Table.

AHRI SYSTEM MATCHES

NOTE - For the latest up-to-date system matches please visit the AHRI web site at <http://www.ahridirectory.org>

Model No.	Capacity	SEER	EER	Coil or Air Handler	Furnace	AHRI Reference
XC16-048-230 + TXV	47,000	15.70	12.20	CB27UH-048-230		1348995
XC16-048-230 + TXV	46,500	15.50	12.20	CB27UH-060-230		1348996
XC16-048-230 + TXV	47,000	14.70	12.00	CB30M-51P		1003794
XC16-048-230 + TXV	47,500	14.50	11.70	CB30M-65P		1003793
XC16-048-230 + TXV	48,000	14.70	11.70	CBX26UH-042		1003953
XC16-048-230 + TXV	48,000	14.70	12.00	CBX26UH-048		1003954
XC16-048-230 + TXV	47,000	15.70	12.20	CBX27UH-048-230		1145118
XC16-048-230 + TXV	46,500	15.50	12.20	CBX27UH-060-230		1145119
XC16-048-230 + TXV	47,000	14.70	12.00	CBX32M-048		1003958
XC16-048-230 + TXV	47,500	14.50	11.70	CBX32M-060		1003957
XC16-048-230 + TXV	47,000	15.70	12.20	CBX32MV-048		1003956
XC16-048-230 + TXV	47,500	15.70	12.20	CBX32MV-060		1003955
XC16-048-230 + TXV	47,500	15.70	12.50	CBX32MV-068		1003963
XC16-048-230 + TXV	47,000	15.70	12.20	CBX40UHV-048		3291798
XC16-048-230 + TXV	47,500	15.70	12.20	CBX40UHV-060		3291847
XC16-048-230 + TXV	45,000	15.20	11.70	CH23-51	G60UHV-60C-090	1038817
XC16-048-230 + TXV	45,000	13.50	11.20	CH23-51		1003722
XC16-048-230 + TXV	56,000	14.50	11.00	CH23-65	G60UHV-60C-090	1038818
XC16-048-230 + TXV	45,500	13.70	11.20	CH23-65		1003998
XC16-048-230 + TXV	47,000	14.20	11.70	CH23-68		1003723
XC16-048-230 + TXV	46,500	15.20	11.70	CH33-48	G60UHV-60C-090	1003971
XC16-048-230 + TXV	46,500	15.20	11.70	CH33-48	G60UHV-60C-110	1003973
XC16-048-230 + TXV	46,500	15.00	11.70	CH33-48	G61MPV-60C-090	1003972
XC16-048-230 + TXV	46,500	15.00	11.70	CH33-48	G61MPV-60C-091	1046660
XC16-048-230 + TXV	46,500	14.70	11.70	CH33-48	G61MPV-60C-111	1046661
XC16-048-230 + TXV	46,500	15.00	11.70	CH33-48	G71MPP-60C-090	3094645
XC16-048-230 + TXV	46,000	14.00	11.20	CH33-48C		1003724
XC16-048-230 + TXV	47,500	15.50	12.20	CH33-49	G60UHV-60C-090	1132856
XC16-048-230 + TXV	47,500	15.50	12.20	CH33-49	G60UHV-60C-110	1132857
XC16-048-230 + TXV	47,500	15.20	12.00	CH33-49	G61MPV-60C-090	1132858
XC16-048-230 + TXV	47,500	15.00	11.50	CH33-49	G61MPV-60C-091	1132859
XC16-048-230 + TXV	47,500	15.00	12.00	CH33-49	G61MPV-60C-110	1132860
XC16-048-230 + TXV	47,500	15.00	11.70	CH33-49	G61MPV-60C-111	1132861
XC16-048-230 + TXV	47,500	15.20	12.00	CH33-49	G71MPP-60C-090	3094646
XC16-048-230 + TXV	47,500	15.00	12.00	CH33-49	G71MPP-60C-110	1488548
XC16-048-230 + TXV	47,000	14.20	11.70	CH33-49		1132855
XC16-048-230 + TXV	47,500	15.50	12.20	CH33-50/60C	G60UHV-60C-090	1003970
XC16-048-230 + TXV	47,000	15.20	12.00	CH33-50/60C	G60UHV-60C-110	1003969
XC16-048-230 + TXV	47,000	15.00	11.70	CH33-50/60C	G61MPV-60C-110	1003968
XC16-048-230 + TXV	47,000	15.50	12.00	CH33-50/60C	CBWMV-60C-100	1088639
XC16-048-230 + TXV	47,000	15.20	11.70	CH33-50/60C	G61MPV-60C-090	3094647
XC16-048-230 + TXV	47,000	15.20	11.70	CH33-50/60C	G61MPV-60C-091	1046662

NOTES:

+ TXV = Matched with Thermostatic Expansion Valve.

Ratings are certified in accordance with USE certification program which is based on AHRI Standard 210/240; 95°F outdoor air temperature, 80°F db / 67°F wb entering evaporator air with 25 ft. of connecting refrigerant lines.

All ratings include the use of a blower time delay relay (TDR). All Lennox variable-speed furnaces and Air Handlers have time delay capabilities. Other Furnaces and Air Handlers may require an optional time delay relay (**58M81**) for field installation. See furnace or air handler specifications to determine if relay is needed.

Also see TXV Substitutions Table.

AHRI SYSTEM MATCHES

NOTE - For the latest up-to-date system matches please visit the AHRI web site at <http://www.ahridirectory.org>

Model No.	Capacity	SEER	EER	Coil or Air Handler	Furnace	AHRI Reference
XC16-048-230 + TXV	47,000	15.00	11.70	CH33-50/60C	G61MPV-60C-111	1046663
XC16-048-230 + TXV	47,000	15.20	11.70	CH33-50/60C	G71MPP-60C-090	3094648
XC16-048-230 + TXV	47,000	15.00	11.70	CH33-50/60C	G71MPP-60C-110	1488409
XC16-048-230 + TXV	47,000	14.20	11.70	CH33-50/60C		1050279
XC16-048-230 + TXV	47,000	15.50	12.20	CH33-60D	G60UHV-60D-135	1003994
XC16-048-230 + TXV	47,000	15.50	12.20	CH33-60D	G61MPV-60D-135	1003993
XC16-048-230 + TXV	46,500	14.00	11.50	CH33-60D		1003992
XC16-048-230 + TXV	47,000	15.50	12.20	CH33-60D	G71MPP-60D-135	1489284
XC16-048-230 + TXV	47,000	15.50	12.20	CH33-62D	G60UHV-60D-135	1003757
XC16-048-230 + TXV	47,500	15.50	12.20	CH33-62D	G61MPV-60D-135	1003758
XC16-048-230 + TXV	47,000	14.00	11.50	CH33-62D		1003725
XC16-048-230 + TXV	47,500	15.50	12.20	CH33-62D	G71MPP-60D-135	1489277
XC16-048-230 + TXV	44,500	14.70	11.70	CR33-48	G60DFV-60C-090	1003756
XC16-048-230 + TXV	45,000	14.70	11.50	CR33-48	G60DFV-60C-110	1003755
XC16-048-230 + TXV	44,500	14.20	11.20	CR33-48	G61MPV-60C-110	1003754
XC16-048-230 + TXV	44,500	13.20	11.00	CR33-48		1003771
XC16-048-230 + TXV	44,500	14.20	11.20	CR33-48	G61MPV-60C-091	1046664
XC16-048-230 + TXV	44,500	14.20	11.20	CR33-48	G61MPV-60C-111	1046665
XC16-048-230 + TXV	44,500	14.20	11.20	CR33-48	G71MPP-60C-110	1488401
XC16-048-230 + TXV	47,000	15.20	12.20	CR33-50/60	G60DFV-60C-090	1003763
XC16-048-230 + TXV	46,500	15.20	12.00	CR33-50/60	G60DFV-60C-110	1003764
XC16-048-230 + TXV	46,000	15.20	11.70	CR33-50/60	G61MPV-60C-090	1003762
XC16-048-230 + TXV	46,000	13.70	11.20	CR33-50/60		1003770
XC16-048-230 + TXV	46,000	14.70	11.50	CR33-50/60	G61MPV-60C-091	1046666
XC16-048-230 + TXV	46,000	15.00	11.70	CR33-50/60	G61MPV-60C-111	1046667
XC16-048-230 + TXV	46,500	15.50	12.00	CR33-60	G60UHV-60D-135	1003760
XC16-048-230 + TXV	46,000	13.70	11.20	CR33-60		1005092
XC16-048-230 + TXV	46,000	15.00	11.70	CX34-44/48	G60UHV-60C-090	1003959
XC16-048-230 + TXV	45,500	15.00	11.70	CX34-44/48	G60UHV-60C-110	1003960
XC16-048-230 + TXV	45,500	14.70	11.50	CX34-44/48	G61MPV-60C-090	1003961
XC16-048-230 + TXV	45,500	14.70	11.70	CX34-44/48	CBWMV-60C-100	3060548
XC16-048-230 + TXV	45,500	14.70	11.20	CX34-44/48	G61MPV-60C-091	1046668
XC16-048-230 + TXV	45,500	14.50	11.50	CX34-44/48	G61MPV-60C-111	1046669
XC16-048-230 + TXV	45,500	14.70	11.50	CX34-44/48	G71MPP-60C-090	3145299
XC16-048-230 + TXV	45,500	13.70	11.20	CX34-44/48		3024355
XC16-048-230 + TXV	47,500	15.50	12.20	CX34-49	G60UHV-60C-090	1003911
XC16-048-230 + TXV	47,500	15.50	12.20	CX34-49	G60UHV-60C-110	1003912
XC16-048-230 + TXV	47,500	15.00	12.00	CX34-49	G61MPV-60C-110	1003910
XC16-048-230 + TXV	46,500	14.70	11.70	CX34-49	O23V5-140/154	1003909
XC16-048-230 + TXV	47,500	15.20	12.00	CX34-49	G61MPV-60C-090	3490811
XC16-048-230 + TXV	47,500	15.00	11.70	CX34-49	G61MPV-60C-091	1046670
XC16-048-230 + TXV	47,000	15.00	11.70	CX34-49	G61MPV-60C-111	1046671

NOTES:

+ TXV = Matched with Thermostatic Expansion Valve.

Ratings are certified in accordance with USE certification program which is based on AHRI Standard 210/240; 95°F outdoor air temperature, 80°F db / 67°F wb entering evaporator air with 25 ft. of connecting refrigerant lines.

All ratings include the use of a blower time delay relay (TDR). All Lennox variable-speed furnaces and Air Handlers have time delay capabilities. Other Furnaces and Air Handlers may require an optional time delay relay (**58M81**) for field installation. See furnace or air handler specifications to determine if relay is needed.

Also see TXV Substitutions Table.

AHRI SYSTEM MATCHES

NOTE - For the latest up-to-date system matches please visit the AHRI web site at <http://www.ahridirectory.org>

Model No.	Capacity	SEER	EER	Coil or Air Handler	Furnace	AHRI Reference
XC16-048-230 + TXV	47,500	15.20	12.00	CX34-49	G71MPP-60C-090	3145300
XC16-048-230 + TXV	47,500	15.00	12.00	CX34-49	G71MPP-60C-110	3094644
XC16-048-230 + TXV	47,000	14.20	11.70	CX34-49		1050269
XC16-048-230 + TXV	46,500	15.20	11.70	CX34-50/60C	G60UHV-60C-090	1003786
XC16-048-230 + TXV	46,500	15.00	11.70	CX34-50/60C	G60UHV-60C-110	1003787
XC16-048-230 + TXV	46,000	15.00	11.70	CX34-50/60C	G61MPV-60C-090	1003788
XC16-048-230 + TXV	46,000	14.50	11.20	CX34-50/60C	O23V5-140/154	1003785
XC16-048-230 + TXV	46,000	15.20	11.20	CX34-50/60C	CBWMV-60C-100	1088640
XC16-048-230 + TXV	46,000	14.70	11.50	CX34-50/60C	G61MPV-60C-091	1046672
XC16-048-230 + TXV	46,000	14.70	11.70	CX34-50/60C	G61MPV-60C-111	1046673
XC16-048-230 + TXV	46,000	15.00	11.70	CX34-50/60C	G71MPP-60C-090	3076771
XC16-048-230 + TXV	46,500	13.70	11.20	CX34-50/60C		1050270
XC16-048-230 + TXV	47,000	15.50	12.20	CX34-60D	G61MPV-60D-135	1003906
XC16-048-230 + TXV	46,500	15.00	11.50	CX34-60D	O23V5-140/154	1003905
XC16-048-230 + TXV	46,500	14.00	11.50	CX34-60D		1050271
XC16-048-230 + TXV	47,000	15.50	12.20	CX34-60D	G71MPP-60D-135	1489281
XC16-048-230 + TXV	48,000	15.70	12.30	CX34-62C	G60UHV-60C-090	1003907
XC16-048-230 + TXV	48,000	15.70	12.20	CX34-62C	G60UHV-60C-110	1003908
XC16-048-230 + TXV	48,000	15.50	12.20	CX34-62C	G61MPV-60C-110	1003904
XC16-048-230 + TXV	47,500	15.20	12.00	CX34-62C	O23V5-140/154	1003903
XC16-048-230 + TXV	48,000	15.50	12.00	CX34-62C	G61MPV-60C-091	1046674
XC16-048-230 + TXV	48,000	15.50	12.00	CX34-62C	G61MPV-60C-111	1046675
XC16-048-230 + TXV	48,000	15.50	12.30	CX34-62C	G71MPP-60C-090	3076772
XC16-048-230 + TXV	47,500	14.20	11.70	CX34-62C		1050272
XC16-048-230 + TXV	48,000	15.50	12.30	CX34-62C	G71MPP-60C-110	1488407
XC16-048-230 + TXV	47,500	15.50	12.20	CX34-62D	G61MPV-60D-135	1003902
XC16-048-230 + TXV	47,000	15.20	12.00	CX34-62D	O23V5-140/154	1003901
XC16-048-230 + TXV	47,000	14.20	11.50	CX34-62D		1050273
XC16-048-230 + TXV	47,500	15.50	12.30	CX34-62D	G71MPP-60D-135	1489280
XC16-060-230 + TXV	59,000	15.20	11.70	C33-49	G60UHV-60C-110	1003777
XC16-060-230 + TXV	58,500	15.20	11.70	C33-49	G61MPV-60C-090	1003778
XC16-060-230 + TXV	59,000	15.00	11.70	C33-49	G61MPV-60C-110	1003779
XC16-060-230 + TXV	58,500	15.00	11.20	C33-49	O23V5-140/154	1003776
XC16-060-230 + TXV	59,000	14.50	11.50	C33-49		1003784
XC16-060-230 + TXV	58,500	15.00	11.20	C33-49	G61MPV-60C-091	1046676
XC16-060-230 + TXV	59,000	15.20	11.70	C33-49	G61MPV-60C-111	1046677
XC16-060-230 + TXV	59,000	15.00	11.70	C33-49	G71MPP-60C-110	1488404
XC16-060-230 + TXV	57,500	15.00	11.50	C33-50/60C	G60UHV-60C-110	1003809
XC16-060-230 + TXV	57,500	14.70	11.20	C33-50/60C	G61MPV-60C-090	1003810
XC16-060-230 + TXV	57,500	14.70	11.20	C33-50/60C	G61MPV-60C-110	1003808
XC16-060-230 + TXV	57,500	14.50	11.20	C33-50/60C	O23V5-140/154	1003780
XC16-060-230 + TXV	57,500	14.20	11.20	C33-50/60C		1003795

NOTES:

+ TXV = Matched with Thermostatic Expansion Valve.

Ratings are certified in accordance with USE certification program which is based on AHRI Standard 210/240; 95°F outdoor air temperature, 80°F db / 67°F wb entering evaporator air with 25 ft. of connecting refrigerant lines.

All ratings include the use of a blower time delay relay (TDR). All Lennox variable-speed furnaces and Air Handlers have time delay capabilities. Other Furnaces and Air Handlers may require an optional time delay relay (**58M81**) for field installation. See furnace or air handler specifications to determine if relay is needed.

Also see TXV Substitutions Table.

AHRI SYSTEM MATCHES

NOTE - For the latest up-to-date system matches please visit the AHRI web site at <http://www.ahridirectory.org>

Model No.	Capacity	SEER	EER	Coil or Air Handler	Furnace	AHRI Reference
XC16-060-230 + TXV	57,500	14.70	11.20	C33-50/60C	CBWMV-60C-120	3184074
XC16-060-230 + TXV	57,500	14.70	11.20	C33-50/60C	G61MPV-60C-091	1046678
XC16-060-230 + TXV	57,500	14.70	11.20	C33-50/60C	G61MPV-60C-111	1046679
XC16-060-230 + TXV	57,500	14.70	11.20	C33-50/60C	G71MPP-60C-110	1488406
XC16-060-230 + TXV	59,500	15.70	12.00	C33-60D	G60UHV-60D-135	1003934
XC16-060-230 + TXV	58,500	15.00	11.50	C33-60D	O23V5-140/154	1003930
XC16-060-230 + TXV	58,500	14.20	11.50	C33-60D		1003951
XC16-060-230 + TXV	58,500	15.50	11.40	C33-60D	G61MPV-60D-135	3133210
XC16-060-230 + TXV	60,000	15.70	12.00	C33-62C	G60UHV-60C-090	1003929
XC16-060-230 + TXV	60,000	15.70	12.00	C33-62C	G60UHV-60C-110	1003928
XC16-060-230 + TXV	60,000	15.20	11.70	C33-62C	G61MPV-60C-110	1004033
XC16-060-230 + TXV	59,500	15.20	11.50	C33-62C	O23V5-140/154	1003927
XC16-060-230 + TXV	60,000	14.70	11.70	C33-62C		1003950
XC16-060-230 + TXV	59,500	15.50	11.50	C33-62C	G61MPV-60C-091	1046680
XC16-060-230 + TXV	60,000	15.50	11.70	C33-62C	G61MPV-60C-111	1046681
XC16-060-230 + TXV	60,000	15.20	11.70	C33-62C	G71MPP-60C-110	1488412
XC16-060-230 + TXV	59,000	15.20	11.50	C33-62D	O23V5-140/154	1003932
XC16-060-230 + TXV	59,000	14.50	11.50	C33-62D		1003965
XC16-060-230 + TXV	59,500	15.70	12.00	C33-62D	G61MPV-60D-135	3281425
XC16-060-230 + TXV	60,000	15.20	11.70	CB26UH-060		1003943
XC16-060-230 + TXV	60,000	15.20	11.70	CB26UH-060-R		1186490
XC16-060-230 + TXV	58,500	15.50	11.70	CB27UH-060-230		1348997
XC16-060-230 + TXV	59,000	14.70	11.70	CB30M-65P		1003802
XC16-060-230 + TXV	60,000	15.20	11.70	CBX26UH-060		1003948
XC16-060-230 + TXV	58,500	15.50	11.70	CBX27UH-060-230		1145120
XC16-060-230 + TXV	59,000	14.70	11.70	CBX32M-060		1003949
XC16-060-230 + TXV	58,500	15.70	11.70	CBX32MV-048		1003947
XC16-060-230 + TXV	59,000	15.70	11.70	CBX32MV-060		1003946
XC16-060-230 + TXV	59,000	15.70	12.00	CBX32MV-068		1003945
XC16-060-230 + TXV	58,500	15.70	11.70	CBX40UHV-048		3291799
XC16-060-230 + TXV	59,000	15.70	11.70	CBX40UHV-060		3291848
XC16-060-230 + TXV	56,500	14.00	11.20	CH23-65		1003966
XC16-060-230 + TXV	57,000	15.20	11.50	CH23-65	G60UHV-60C-090	1232764
XC16-060-230 + TXV	60,000	14.50	11.70	CH23-68		1003783
XC16-060-230 + TXV	59,500	15.70	12.00	CH23-68	G60UHV-60C-090	1232765
XC16-060-230 + TXV	58,500	15.20	11.70	CH33-50/60C	G60UHV-60C-110	1003939
XC16-060-230 + TXV	58,500	15.20	11.50	CH33-50/60C	G61MPV-60C-090	1003938
XC16-060-230 + TXV	58,500	15.00	11.50	CH33-50/60C	G61MPV-60C-110	1003942
XC16-060-230 + TXV	58,500	14.50	11.50	CH33-50/60C		1003967
XC16-060-230 + TXV	58,500	14.20	11.50	CH33-50/60C	CBWMV-60C-120	1260281
XC16-060-230 + TXV	58,500	15.20	11.70	CH33-50/60C	G60UHV-60C-090	3069475
XC16-060-230 + TXV	58,500	14.70	11.20	CH33-50/60C	G61MPV-60C-091	1046682

NOTES:

+ TXV = Matched with Thermostatic Expansion Valve.

Ratings are certified in accordance with USE certification program which is based on AHRI Standard 210/240; 95°F outdoor air temperature, 80°F db / 67°F wb entering evaporator air with 25 ft. of connecting refrigerant lines.

All ratings include the use of a blower time delay relay (TDR). All Lennox variable-speed furnaces and Air Handlers have time delay capabilities. Other Furnaces and Air Handlers may require an optional time delay relay (**58M81**) for field installation. See furnace or air handler specifications to determine if relay is needed.

Also see TXV Substitutions Table.

AHRI SYSTEM MATCHES

NOTE - For the latest up-to-date system matches please visit the AHRI web site at <http://www.ahridirectory.org>

Model No.	Capacity	SEER	EER	Coil or Air Handler	Furnace	AHRI Reference
XC16-060-230 + TXV	58,500	15.20	11.50	CH33-50/60C	G61MPV-60C-111	1046683
XC16-060-230 + TXV	58,500	15.20	11.50	CH33-50/60C	G71MPP-60C-090	3094655
XC16-060-230 + TXV	58,500	15.00	11.50	CH33-50/60C	G71MPP-60C-110	1488408
XC16-060-230 + TXV	59,000	15.70	12.00	CH33-60D	G60UHV-60D-135	1003940
XC16-060-230 + TXV	58,000	14.20	11.50	CH33-60D		1003964
XC16-060-230 + TXV	58,500	15.20	11.70	CH33-60D	CBWMV-60C-100	1086362
XC16-060-230 + TXV	58,500	15.50	11.70	CH33-60D	G61MPV-60D-135	3069477
XC16-060-230 + TXV	59,500	15.70	12.00	CH33-62D	G60UHV-60D-135	1003805
XC16-060-230 + TXV	58,500	15.50	11.70	CH33-62D	G61MPV-60D-135	1003806
XC16-060-230 + TXV	58,500	14.20	11.50	CH33-62D		1003782
XC16-060-230 + TXV	58,500	15.50	11.70	CH33-62D	G60UHV-60C-090	1132862
XC16-060-230 + TXV	58,500	15.50	11.70	CH33-62D	G60UHV-60C-110	1132863
XC16-060-230 + TXV	58,500	15.20	11.70	CH33-62D	G61MPV-60C-090	1132864
XC16-060-230 + TXV	58,500	15.20	11.50	CH33-62D	G61MPV-60C-091	1132865
XC16-060-230 + TXV	58,500	15.00	11.70	CH33-62D	G61MPV-60C-110	1132866
XC16-060-230 + TXV	58,500	15.20	11.70	CH33-62D	G61MPV-60C-111	1132867
XC16-060-230 + TXV	58,500	15.00	11.70	CH33-62D	G71MPP-60C-110	1488549
XC16-060-230 + TXV	58,500	15.50	11.70	CH33-62D	G71MPP-60D-135	1489279
XC16-060-230 + TXV	58,000	15.20	11.70	CR33-60	G60DFV-60D-135	1003807
XC16-060-230 + TXV	57,500	15.20	11.50	CR33-60	G61MPV-60D-135	1003801
XC16-060-230 + TXV	57,500	14.20	11.20	CR33-60		1003781
XC16-060-230 + TXV	57,500	15.20	11.50	CR33-60	G71MPP-60D-135	1489278
XC16-060-230 + TXV	59,000	15.50	11.70	CX34-49	G60UHV-60C-090	1003921
XC16-060-230 + TXV	58,500	15.20	11.70	CX34-49	G61MPV-60C-090	1003919
XC16-060-230 + TXV	58,500	15.00	11.20	CX34-49	O23V5-140/154	1003916
XC16-060-230 + TXV	59,000	15.20	11.70	CX34-49	G60UHV-60C-110	3069476
XC16-060-230 + TXV	58,500	15.00	11.20	CX34-49	G61MPV-60C-091	1046684
XC16-060-230 + TXV	59,000	15.00	11.70	CX34-49	G61MPV-60C-110	3094650
XC16-060-230 + TXV	59,000	15.20	11.70	CX34-49	G61MPV-60C-111	1046685
XC16-060-230 + TXV	58,500	15.20	11.70	CX34-49	G71MPP-60C-090	3094649
XC16-060-230 + TXV	59,000	15.00	11.70	CX34-49	G71MPP-60C-110	3094651
XC16-060-230 + TXV	59,000	14.50	11.50	CX34-49		1050274
XC16-060-230 + TXV	57,500	15.20	11.50	CX34-50/60C	G60UHV-60C-090	1003800
XC16-060-230 + TXV	57,500	14.70	11.20	CX34-50/60C	G61MPV-60C-090	1003797
XC16-060-230 + TXV	57,500	14.70	11.20	CX34-50/60C	G61MPV-60C-110	1003798
XC16-060-230 + TXV	57,500	14.50	11.20	CX34-50/60C	O23V5-140/154	1003796
XC16-060-230 + TXV	57,500	14.70	11.20	CX34-50/60C	CBWMV-60C-120	3184076
XC16-060-230 + TXV	57,500	15.00	11.50	CX34-50/60C	G60UHV-60C-110	3069480
XC16-060-230 + TXV	57,500	14.70	11.20	CX34-50/60C	G61MPV-60C-091	1046686
XC16-060-230 + TXV	57,500	14.70	11.20	CX34-50/60C	G61MPV-60C-111	1046687
XC16-060-230 + TXV	57,500	14.70	11.20	CX34-50/60C	G71MPP-60C-090	3094652
XC16-060-230 + TXV	57,500	14.20	11.20	CX34-50/60C		1050275

NOTES:

+ TXV = Matched with Thermostatic Expansion Valve.

Ratings are certified in accordance with USE certification program which is based on AHRI Standard 210/240; 95°F outdoor air temperature, 80°F db / 67°F wb entering evaporator air with 25 ft. of connecting refrigerant lines.

All ratings include the use of a blower time delay relay (TDR). All Lennox variable-speed furnaces and Air Handlers have time delay capabilities. Other Furnaces and Air Handlers may require an optional time delay relay (**58M81**) for field installation. See furnace or air handler specifications to determine if relay is needed.

Also see TXV Substitutions Table.

AHRI SYSTEM MATCHES

NOTE - For the latest up-to-date system matches please visit the AHRI web site at <http://www.ahridirectory.org>

Model No.	Capacity	SEER	EER	Coil or Air Handler	Furnace	AHRI Reference
XC16-060-230 + TXV	57,500	14.70	11.20	CX34-50/60C	G71MPP-60C-110	1488405
XC16-060-230 + TXV	58,500	15.50	11.40	CX34-60D	G61MPV-60D-135	1003924
XC16-060-230 + TXV	58,500	15.00	11.50	CX34-60D	O23V5-140/154	1003917
XC16-060-230 + TXV	59,500	15.70	12.00	CX34-60D	G60UHV-60D-135	3069550
XC16-060-230 + TXV	58,500	14.20	11.50	CX34-60D		1050276
XC16-060-230 + TXV	58,500	15.50	11.40	CX34-60D	G71MPP-60D-135	1489283
XC16-060-230 + TXV	60,000	15.70	12.00	CX34-62C	G60UHV-60C-090	1003923
XC16-060-230 + TXV	60,000	15.70	12.00	CX34-62C	G60UHV-60C-110	1003922
XC16-060-230 + TXV	59,500	15.50	11.70	CX34-62C	G61MPV-60C-090	1003920
XC16-060-230 + TXV	59,500	15.20	11.50	CX34-62C	O23V5-140/154	1003913
XC16-060-230 + TXV	59,500	15.50	11.50	CX34-62C	G61MPV-60C-091	1046688
XC16-060-230 + TXV	60,000	15.20	11.70	CX34-62C	G61MPV-60C-110	3069551
XC16-060-230 + TXV	60,000	15.50	11.70	CX34-62C	G61MPV-60C-111	1046689
XC16-060-230 + TXV	59,500	15.50	11.70	CX34-62C	G71MPP-60C-090	3094653
XC16-060-230 + TXV	60,000	15.20	11.70	CX34-62C	G71MPP-60C-110	3094654
XC16-060-230 + TXV	60,000	14.70	11.70	CX34-62C		1050277
XC16-060-230 + TXV	59,500	15.70	12.00	CX34-62D	G61MPV-60D-135	1003915
XC16-060-230 + TXV	59,000	15.20	11.50	CX34-62D	O23V5-140/154	1003914
XC16-060-230 + TXV	60,000	16.00	12.00	CX34-62D	G60UHV-60D-135	3069555
XC16-060-230 + TXV	59,000	14.50	11.50	CX34-62D		1050278
XC16-060-230 + TXV	59,500	15.70	12.00	CX34-62D	G71MPP-60D-135	1489282

NOTES:

+ TXV = Matched with Thermostatic Expansion Valve.

Ratings are certified in accordance with USE certification program which is based on AHRI Standard 210/240; 95°F outdoor air temperature, 80°F db / 67°F wb entering evaporator air with 25 ft. of connecting refrigerant lines.

All ratings include the use of a blower time delay relay (TDR). All Lennox variable-speed furnaces and Air Handlers have time delay capabilities. Other Furnaces and Air Handlers may require an optional time delay relay (**58M81**) for field installation. See furnace or air handler specifications to determine if relay is needed.

Also see TXV Substitutions Table.

REVISIONS

Sections	Description of Change
AHRI System Matches	Updated all to include AHRI reference numbers.



Visit us at www.lennox.com

For the latest technical information, www.lennoxdavenet.com

Contact us at 1-800-4-LENNOX

NOTE - Due to Lennox' ongoing commitment to quality, Specifications, Ratings and Dimensions subject to change without notice and without incurring liability. Improper installation, adjustment, alteration, service or maintenance can cause property damage or personal injury. Installation and service must be performed by a qualified installer and servicing agency.

©2009 Lennox Industries, Inc.