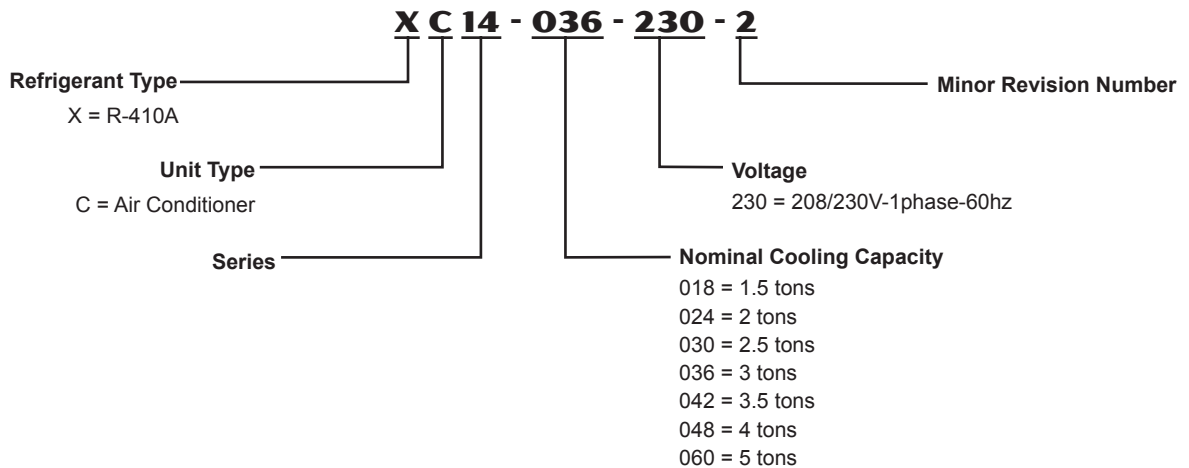




SEER up to 16.20
1.5 to 5 Tons
Cooling Capacity - 16,900 to 58,000 Btuh

MODEL NUMBER IDENTIFICATION



FEATURES

CONTENTS

AHRI Ratings	10
Dimensions	9
Electrical Data	6
Features.....	2
Field Wiring	8
Installation Clearances	8
Model Number Identification	1
Optional Accessories	6
Outdoor Sound Data	8
Specifications	6

WARRANTY

Compressor - limited warranty for **ten years** in residential installations and five years in non-residential installations.

All other covered components - **five years** in residential installations and one year in non-residential installations.

Refer to Lennox Equipment Limited Warranty certificate included with unit for specific details.

APPLICATIONS

SEER up to 16.20.

1.5 through 5 ton.

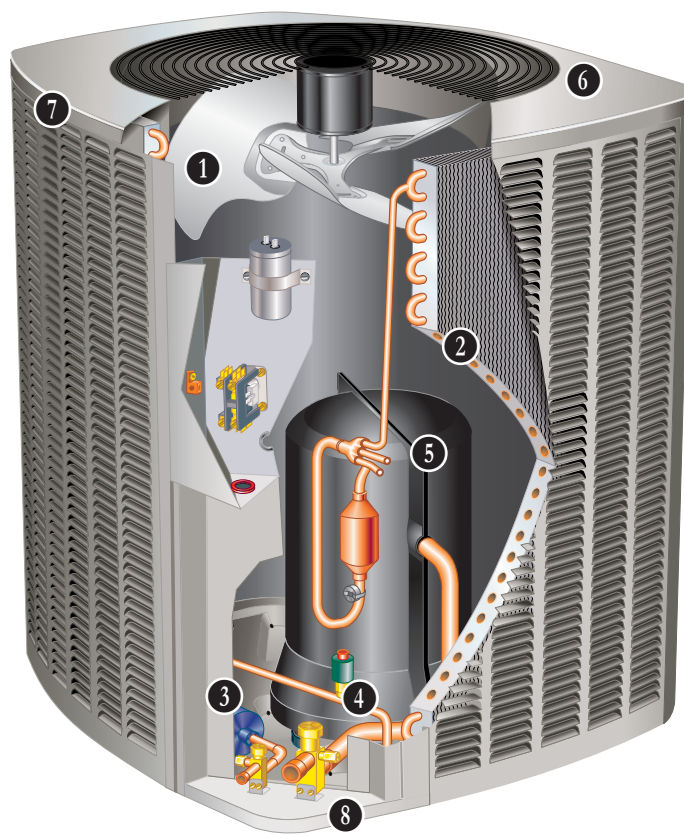
Single-phase power supply.

Vertical air discharge allows concealment behind shrubs at grade level or out of sight on a roof.

Matching add-on furnace indoor coils or air handlers provide a wide range of cooling capacities and applications. See AHRI Ratings table. See Indoor Coils and Air Handlers sections for data.

Units shipped completely factory assembled, piped and wired.

Each unit test operated at the factory ensuring proper operation. Installer must set air conditioner, connect refrigerant lines and make electrical connections to complete job.



APPROVALS

Certified in Accordance with the USE certification program, which is based on AHRI Standard 210/240-2008.

Sound rated in Lennox reverberant sound test room in Accordance with test conditions included in AHRI Standard 270-2008.

Tested in the Lennox Research Laboratory environmental test room. Rated According to U.S. Department of Energy (DOE) test procedures.

Units and components within bonded for grounding to meet safety standards for servicing required by UL, NEC and CEC.

Units are UL listed and CSA certified.

ISO 9001 Registered Manufacturing Quality System.

ENERGY STAR® certified units are designed to use less energy, help save money on utility bills, and help protect the environment.

For expanded ratings, see www.lennox.com

REFRIGERATION SYSTEM

R-410A Refrigerant

Non-chlorine, ozone friendly, R-410A. Unit pre-charged with refrigerant. See Specification table.



FEATURES

REFRIGERATION SYSTEM (CONTINUED)

1 Outdoor Coil Fan

Direct drive fan moves large air volumes uniformly through entire condenser coil for high refrigerant cooling capacity.

Vertical air discharge minimizes operating sounds and eliminates damage to lawn and shrubs.

Fan motor has sleeve bearings and is inherently protected.

Motor totally enclosed for maximum protection from weather, dust and corrosion.

Fan guard constructed of corrosion-resistant PVC (polyvinyl chloride) coated steel.

Fan service access accomplished by removal of fan guard.

2 Copper Tube/Enhanced Fin Coil

Lennox designed and fabricated coil.

Ripple-edged aluminum fins.

Copper tube construction.

Lanced fins provide maximum exposure of fin surface to air stream resulting in excellent heat transfer.

Fin collars grip tubing for maximum contact area.

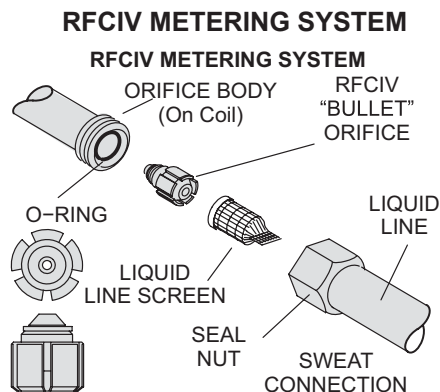
Flared shoulder tubing connections/silver soldering construction.

Coil is factory tested under high pressure to ensure leakproof construction.

Entire coil is accessible for cleaning.

Refrigerant Flow Control

Units applicable to expansion valve systems or RFC systems when matched with specific evaporator coils.



RFCIV:

Accurately meters refrigerant in system.

Refrigerant control is accomplished by exact sizing of refrigerant metering orifice.

The principle involves matching indoor coil with proper bore size of orifice in metering device.

Equalizes pressure shortly after compressor stops, unit starts unloaded, eliminating need for additional controls.

Furnished with air conditioner.

3 High Capacity Liquid Line Drier

Furnished with unit for field installation.

Approved for use with R-410A systems.

Traps any moisture or dirt that could contaminate the refrigerant system.

4 High Pressure Switch

Shuts off unit if abnormal operating conditions cause the discharge pressure to rise above setting.

Protects compressor from excessive condensing pressure.

Manual reset.

OPTIONS

Expansion Valve Kits

Must be ordered extra and field installed on certain indoor units.

See AHRI Ratings tables.

Chatleff-style fittings.

Freezestat

Installs on or near the vapor line of the indoor coil or on the suction line.

Senses suction line temperature and cycles the compressor off when suction line temperature falls below its setpoint.

Opens at 29°F and closes at 58°F.

Loss of Charge Switch Kit

Helps protect the compressor from damage due low refrigerant charge conditions.

SPST, normally-closed switch, automatic reset switch mounted on suction line.

Refrigerant Line Kits

Refrigerant lines (suction & liquid) are shipped refrigeration clean.

Lines are cleaned, dried, pressurized and sealed at factory.

Suction line fully insulated.

Lines are stubbed at both ends.

Not available for -060 models and must be field fabricated.

FEATURES

COMPRESSOR

5 Scroll Compressor

Compressor features high efficiency with uniform suction flow, constant discharge flow and high volumetric efficiency and quiet operation.

Compressor consists of two involute spiral scrolls matched together to generate a series of crescent shaped gas pockets between them.

During compression, one scroll remains stationary while the other scroll orbits around it.

Gas is drawn into the outer pocket, the pocket is sealed as the scroll rotates.

As the spiral movement continues, gas pockets are pushed to the center of the scrolls. Volume between the pockets is simultaneously reduced.

When pocket reaches the center, gas is now at high pressure and is forced out of a port located in the center of the fixed scrolls.

During compression, several pockets are compressed simultaneously resulting in a smooth continuous compression cycle.

Continuous flank contact, maintained by centrifugal force, minimizes gas leakage and maximizes efficiency.

Scroll compressor is tolerant to the effects of slugging and contaminants. If this occurs, scrolls separate, allowing liquid or contaminants to be worked toward the center and discharged.

Low gas pulses during compression reduces operational sound levels.

Compressor motor is internally protected from excessive current and temperature.

Compressor is installed in the unit on specially formulated, resilient rubber base for improved sound dampening and vibration-free operation resulting in quieter operating sound levels. See Outdoor Sound Data table for details.

Compressor Crankcase Heater (048 & 060 Models)

Protects against refrigerant migration that can occur during low ambient operation.

Factory Installed

Compressor Sound Dampening System

A polyethylene compressor cover containing a 2 inch thick batt of fiberglass insulation for better sound dampening.

All open edges are sealed with a one-inch wide hook and loop fastening tape.



OPTIONS

Compressor Crankcase Heater (018 thru 042 models)

Protects against refrigerant migration that can occur during low ambient operation.

Compressor Hard Start Kit

Single-phase units are equipped with a PSC compressor motor. This type of motor normally doesn't need a potential relay and start capacitor.

In conditions such as low voltage, this kit may be required to increase the compressor starting torque.

Compressor Low Ambient Cut-Off

Non-adjustable switch (low ambient cut-out) prevents compressor operation when outdoor temperature is below 35°F.

CONTROLS

OPTIONS

Indoor Blower Off Delay Relay

Delays the indoor blower-off time during the cooling cycle.

See AHRI System Matches for usage.

Low Ambient Kit

Air conditioners operate satisfactorily down to 45°F outdoor air temperature without any additional controls.

Low Ambient Control Kit can be field installed, allowing unit operation down to 30°F.

Freezestat should be installed on compressors equipped with a low ambient kit.

A compressor lock-out thermostat should be added to terminate compressor operation below recommended operation conditions

Thermostat

Thermostat not furnished with unit. See Thermostat bulletins in Controls Section and Lennox Price Book.

Compressor Timed-Off Control

Kit prevents compressor short-cycling and allows time for suction and discharge pressure to equalize.

Permits compressor start-up in an unloaded condition.

Automatic reset with 5 minute delay between compressor shut-off and start-up.

FEATURES

CABINET

- 6 Heavy-gauge steel construction
Pre-painted cabinet finish.
Painted base section.
Control box is conveniently located with all controls factory wired.
Corner patch plate allows access to compressor components.
Drainage holes are provided in base section for moisture removal.
High density polyethylene unit support feet raise the unit off of the mounting surface, away from damaging moisture.

7 **SmarterHinge™ Louvered Coil Protection**

- Steel louvered panels provides complete coil protection.
Panels are hinged to allow easy cleaning and servicing of coils.
Panels may be completely removed.
Interlocking tabs and slots assure tight fit on cabinet.



8 **Refrigerant Line Connections, Electrical Inlets and Service Valves**

- Suction and liquid lines are located on corner of unit cabinet and are made with sweat connections.
See dimension drawing.
Fully serviceable brass service valves prevent corrosion and provide access to refrigerant system. Suction valve can be fully shut off, while liquid valve may be front seated to manage refrigerant charge while servicing system.
Refrigerant line connections and field wiring inlets are located in one central area of the cabinet.
See dimension drawing.

SPECIFICATIONS

General Data		Model No.	XC14-018	XC14-024	XC14-030	XC14-036
Nominal Tonnage			1.5	2	2.5	3
Connections (sweat)	Liquid line (o.d.) - in.		3/8	3/8	3/8	3/8
	Suction line (o.d.) - in.		3/4	3/4	3/4	7/8
Refrigerant	¹ R-410A charge furnished		5 lbs. 11 oz.	6 lbs. 8 oz.	6 lbs. 11 oz.	6 lbs. 11 oz.
Outdoor Coil	Net face area - sq. ft.		13.22	18.67	21.00	21.00
	Tube diameter - in.		5/16	5/16	5/16	5/16
	No. of rows		1	1	1	1
	Fins per inch		26	26	26	26
Outdoor Fan	Diameter - in.		18	22	22	22
	No. of blades		3	3	3	3
	Motor hp		1/10	1/6	1/6	1/6
	Cfm		2270	3160	3160	3160
	Rpm		1050	850	850	850
	Watts		165	215	215	215
				163	203	215
Shipping Data - lbs. 1 pkg.						
ELECTRICAL DATA						
Line voltage data - 60hz			208/230V-1ph	208/230V-1ph	208/230V-1ph	208/230V-1ph
² Maximum overcurrent protection (amps)			25	30	30	30
³ Minimum circuit ampacity			15.7	17.9	17.2	18.7
Compressor	Rated load amps		9.0	13.4	12.9	14.1
	Locked rotor amps		48	58	64	77
	Power factor		0.93	0.97	0.98	0.98
Outdoor Fan Motor	Full load amps		0.7	1.1	1.1	1.1
	Locked rotor amps		1.4	2.1	2.1	2.1
OPTIONAL ACCESSORIES - MUST BE ORDERED EXTRA						
Compressor Hard Start Kit		88M91	•	•	•	•
Compressor Low Ambient Cut-Off		45F08	•	•	•	•
Compressor Time-Off Control		47J27	•	•	•	•
Freezestat	3/8 in. tubing	93G35	•	•	•	•
	5/8 in. tubing	50A93	•	•	•	•
Low Ambient Kit		34M72	•	•	•	•
Refrigerant Line Sets	L15-41-20	L15-41-40	•	•	•	•
	L15-41-30	L15-41-50	•	•	•	•
Indoor Blower Off Delay Relay		58M81	•	•	•	•

NOTE - Extremes of operating range are plus 10% and minus 5% of line voltage.

¹ Refrigerant charge sufficient for 15 ft. length of refrigerant lines.

² HACR type breaker or fuse.

³ Refer to National or Canadian Electrical Code manual to determine wire, fuse and disconnect size requirements.

SPECIFICATIONS

General Data		Model No.	XC14-042	XC14-048	XC14-060	
		Nominal Tonnage	3.5	4	5	
Connections (sweat)	Liquid line (o.d.) - in.		3/8	3/8	3/8	
	Suction line (o.d.) - in.		7/8	7/8	1-1/8	
Refrigerant		¹ R-410A charge furnished	8 lbs. 10 oz.	10 lbs. 0 oz.	12 lbs. 0 oz.	
Outdoor Coil	Net face area - sq. ft.		Outer coil	16.33	21.00	22.00
			Inner coil	15.71	20.25	21.33
			Tube diameter - in.	5/16	5/16	5/16
			No. of rows	2	2	2
			Fins per inch	22	22	22
Outdoor Fan	Diameter - in.		22	22	26	
	No. of blades		4	4	4	
	Motor hp		1/4	1/4	1/3	
	Cfm		3500	3600	4400	
	Rpm		825	825	825	
	Watts		310	310	310	
Shipping Data - lbs. 1 pkg.			243	272	290	

ELECTRICAL DATA

Line voltage data - 60hz		208/230V-1ph	208/230V-1ph	208/230V-1ph	
² Maximum overcurrent protection (amps)		40	50	60	
³ Minimum circuit ampacity		24.1	29.0	34.8	
Compressor	Rated load amps		17.9	21.8	26.4
	Locked rotor amps		112	117	134
	Power factor		0.94	0.95	0.98
Outdoor Fan Motor	Full load amps		1.7	1.7	1.8
	Locked rotor amps		3.1	3.1	2.9

OPTIONAL ACCESSORIES - MUST BE ORDERED EXTRA

Compressor Hard Start Kit		88M91	•	•	•
Compressor Low Ambient Cut-Off		45F08	•	•	•
Compressor Time-Off Control		47J27	•	•	•
Freezestat	3/8 in. tubing	93G35	•	•	•
	5/8 in. tubing	50A93	•	•	•
Low Ambient Kit		34M72	•	•	•
		L15-65-40	L15-65-40		
			L15-65-50	•	•
			Field Fabricate		•
Indoor Blower Off Delay Relay		58M81	•	•	•

NOTE - Extremes of operating range are plus 10% and minus 5% of line voltage.

¹ Refrigerant charge sufficient for 15 ft. length of refrigerant lines.

² HACR type breaker or fuse.

³ Refer to National or Canadian Electrical Code manual to determine wire, fuse and disconnect size requirements.

OUTDOOR SOUND DATA

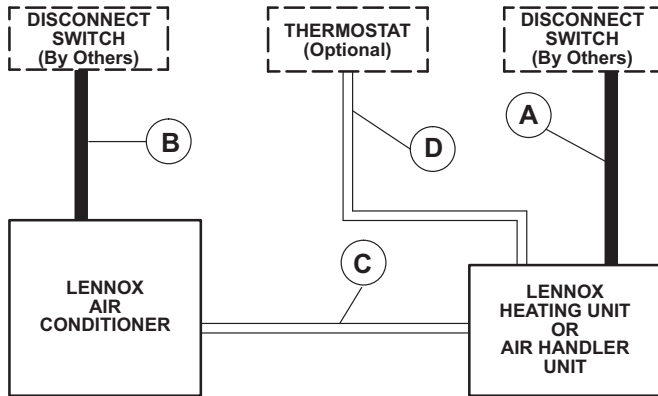
Octave Band Sound Power Levels dBA, re 10⁻¹² Watts
Center Frequency - HZ

¹ Unit Model No.	125	250	500	1000	2000	4000	8000	¹ Sound Rating Number (dB)
XC14-018	52.0	59.5	64.5	65.5	60.5	54.5	45.5	71
XC14-024	55.0	60.0	66.0	66.0	62.5	57.5	47.5	71
XC14-030	55.0	62.0	65.5	66.5	60.0	52.5	45.0	71
XC14-036	53.0	61.0	64.5	65.0	59.5	53.5	48.5	70
XC14-042	58.5	64.0	68.5	68.5	63.5	56.5	50.5	73
XC14-048	56.5	62.0	68.0	68.5	63.5	56.5	49.5	73
XC14-060	59.5	62.5	67.5	66.0	63.0	57.5	51.5	73

NOTE - the octave sound power data does not include tonal correction.

¹ Tested according to AHRI Standard 270-2008 test conditions.

FIELD WIRING



A - Two Wire Power (not furnished)

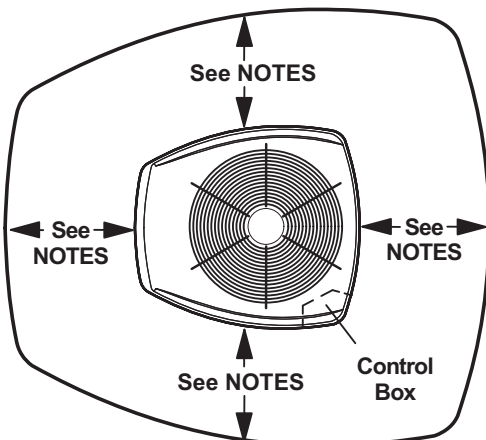
B - Two Power (not furnished). See Electrical Data

C - Four Wire Low Voltage (not furnished). 18 ga. minimum

D - Five Wire Low Voltage (not furnished). 18 ga. minimum

All wiring must conform to NEC or CEC and local electrical codes.

INSTALLATION CLEARANCES



NOTES:

Service clearance of 30 in. (762 mm) must be maintained on one of the sides adjacent to the control box.

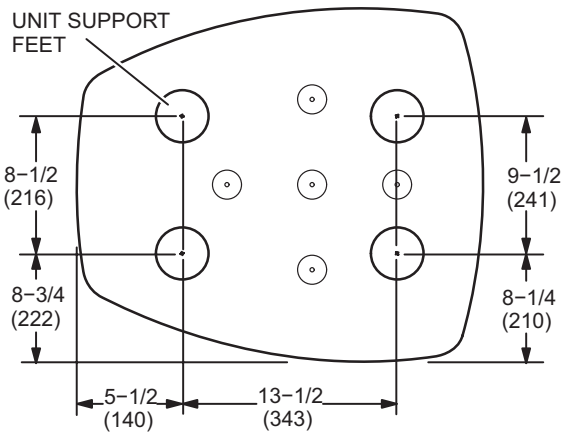
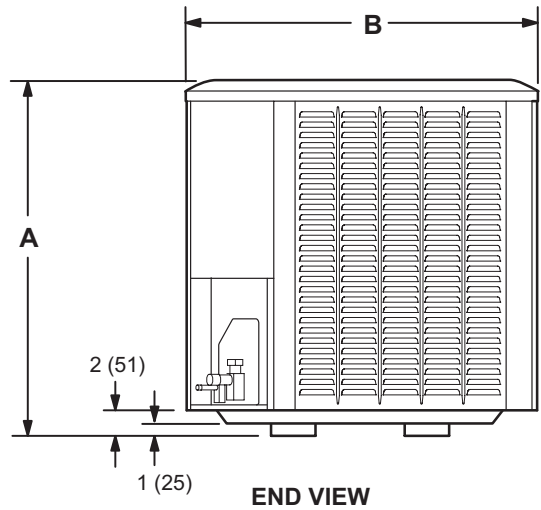
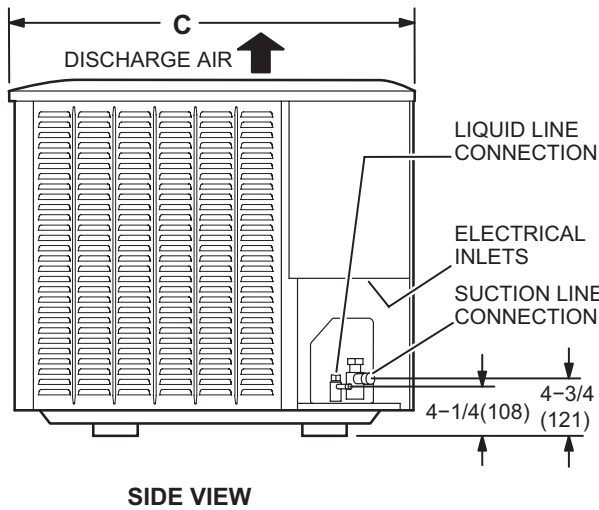
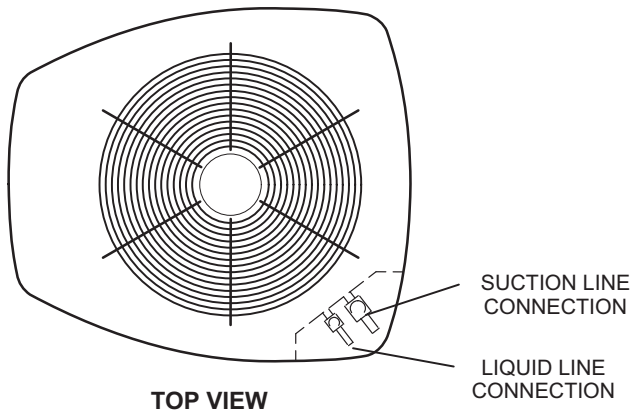
Clearance to one of the other three sides must be 36 in. (914 mm)

Clearance to one of the remaining two sides may be 12 in. (305 mm) and the final side may be 6 in. (152 mm).

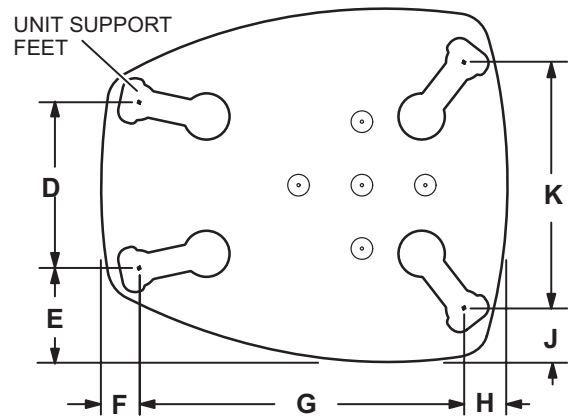
A clearance of 24 in. (610 mm) must be maintained between two units.

48 in. (1219 mm) clearance required on top of unit.

DIMENSIONS – INCHES (MM)



XC14-018 BASE SECTION



XC14-024 TO -060 BASE SECTION

Model No.	A		B		C		D		E		F		G		H		J		K	
	in.	mm	in.	mm	in.	mm	in.	mm	in.	mm	in.	mm	in.	mm	in.	mm	in.	mm	in.	mm
XC14-018	31	787	27	686	28	711	---	---	---	---	---	---	---	---	---	---	---	---	---	---
XC14-024	35	889	30-1/2	775	35	889	13-7/8	352	7-3/4	197	3-1/4	83	27-1/8	689	3-5/8	92	4-1/2	114	20-5/8	524
XC14-030	39	991	30-1/2	775	35	889	13-7/8	352	7-3/4	197	3-1/4	83	27-1/8	689	3-5/8	92	4-1/2	114	20-5/8	524
XC14-036	39	991	30-1/2	775	35	889	13-7/8	352	7-3/4	197	3-1/4	83	27-1/8	689	3-5/8	92	4-1/2	114	20-5/8	524
XC14-042	31	787	30-1/2	775	35	889	13-7/8	352	7-3/4	197	3-1/4	83	27-1/8	689	3-5/8	92	4-1/2	114	20-5/8	524
XC14-048	39	991	30-1/2	775	35	889	13-7/8	352	7-3/4	197	3-1/4	83	27-1/8	689	3-5/8	92	4-1/2	114	20-5/8	524
XC14-060	35	889	35-1/2	902	39-1/2	1003	16-7/8	429	8-3/4	222	3-1/8	79	30-3/4	781	4-5/8	117	3-3/4	95	26-7/8	683

REFRIGERANT METERING DEVICES

Model No.	Refrigerant Metering Orifice (RFC)		Thermal Expansion Valve (TXV)
	Order No.	Orifice Size	
XC14-018	10W94	0.052	37L51
XC14-024	97M75	0.057	37L51
XC14-030	97M76	0.063	37L51
XC14-036	11W02	0.073	39L72
XC14-042	97M78	0.076	39L72
XC14-048	11W07	0.083	91M02
XC14-060	11W11	0.093	91M02

CX34 upflow coils and all Lennox air handlers (except CB26UH "R") are shipped with a factory installed TXV. In most cases, no change out of the valve is needed.

If a change out is required it will be listed in the "TXV SUBSTITUTIONS" table. The correct TXV must be ordered and field installed. C33 coils and all horizontal and downflow coils are shipped without a TXV. The TXV must be ordered and field installed.

*TXV SUBSTITUTIONS

Indoor Coils/Air Handlers with factory installed expansion valves that require field replacement

Model No.	Indoor Coil or Air Handler	Order No.
XC14-030	CBX27UH-036	37L51
XC14-036	CX34-31	39L72
XC14-036	CX34-36	39L72
XC14-036	CX34-38	39L72
XC14-036	CX34-49	39L72
XC14-036	CX34-50/60	39L72
XC14-036	CBX32M-030	39L72
XC14-036	CBX32M-036	39L72
XC14-036	CBX32M-042	39L72
XC14-036	CBX32M-048	39L72
XC14-036	CBX32MV-036	39L72
XC14-036	CBX32MV-048	39L72
XC14-036	CBX40UHV-036	39L72
XC14-036	CBX40UHV-048	39L72
XC14-042	CX34-36	39L72
XC14-042	CX34-38	39L72
XC14-042	CBX27UH-048	39L72
XC14-042	CBX32M-036	39L72
XC14-042	CBX32M-042	39L72
XC14-042	CBX32M-048	39L72
XC14-042	CBX32MV-048	39L72
XC14-042	CBX40UHV-048	39L72
XC14-048	CX34-43	91M02
XC14-048	CX34-44/48	91M02

* CX34 coils and all air handlers (except CB26UH "R") - the factory installed expansion valve must be replaced with the expansion valve listed (ordered separately). If the combination is not listed above, the factory installed TXV is used.

C33 and CH33 coils and CB26UH "R" air handlers - use the RFC shipped with the outdoor unit or replace the factory installed RFC with the expansion valve listed in the Thermal Expansion Valves Table.

CR33 and CH23 - use the RFC shipped with the outdoor unit or use the expansion valve listed in the Thermal Expansion Valves Table.

MOST POPULAR MATCHES

Outdoor Unit Model No.	Indoor Unit Model No
XC14-018	CX34-25
XC14-024	CX34-31
XC14-030	CX34-31
XC14-036	CX34-38
XC14-042	CX34-49
XC14-048	CX34-62
XC14-060	CX34-62

AHRI RATINGS

NOTE - For the latest up-to-date system matches please visit the AHRI web site at <http://www.ahridirectory.org>

Model No.	Cooling Btuh	SEER	EER	Indoor Coil or Air Handler	Furnace	AHRI Reference
XC14-018-230 + TXV	18,200	13.95	11.70	C33-19		3009822
XC14-018-230 + TXV	17,700	13.20	11.20	C33-24		3009823
XC14-018-230 + TXV	18,500	14.20	12.00	C33-25		3009824
XC14-018-230 + TXV	18,000	13.55	11.40	C33-30		3009825
XC14-018-230 + TXV	18,700	14.20	12.00	C33-31		3009826
XC14-018-230 + TXV	18,400	14.35	12.05	CB26UH-018		3009827
XC14-018-230 + TXV	18,700	14.35	12.05	CB26UH-024		3009828
XC14-018-230 + TXV	19,000	16.20	13.50	CB27UH-018-230		3009829
XC14-018-230 + TXV	18,400	14.10	11.70	CB30M-21/26P		3009830
XC14-018-230 + TXV	19,100	14.05	11.85	CB30M-31P		3009831
XC14-018-230 + TXV	18,400	14.00	12.00	CBX26UH-018		3009834
XC14-018-230 + TXV	19,000	16.20	13.50	CBX27UH-018-230		3009835
XC14-018-230 + TXV	18,400	14.20	11.70	CBX32M-018/024		3009836
XC14-018-230 + TXV	19,100	15.00	12.50	CBX32M-030		3009837
XC14-018-230 + TXV	18,700	15.20	12.70	CBX32MV-018/024		3009838
XC14-018-230 + TXV	18,800	15.50	12.70	CBX32MV-024/030		3009839
XC14-018-230 + TXV	18,700	15.20	12.70	CBX40UHV-024		3291605
XC14-018-230 + TXV	18,800	15.50	12.70	CBX40UHV-030		3291625
XC14-018-230 + TXV	18,100	13.50	11.50	CH33-19		3009840
XC14-018-230 + TXV	18,100	13.50	11.50	CH33-24/30		3009841
XC14-018-230 + TXV	18,600	14.20	12.00	CH33-25		3009842
XC14-018-230 + TXV	18,400	14.00	11.50	CH33-25B		3009843
XC14-018-230 + TXV	18,400	14.00	11.50	CH33-36		3009844
XC14-018-230 + TXV	18,000	13.50	11.50	CR33-18		3009845
XC14-018-230 + TXV	18,300	13.50	11.50	CR33-24		3009846
XC14-018-230 + TXV	18,700	14.20	12.00	CR33-30/36		3009847
XC14-018-230 + TXV	17,700	13.00	11.00	CX34-18/24		3009848
XC14-018-230 + TXV	18,200	14.00	11.70	CX34-19		3009849
XC14-018-230 + TXV	18,500	14.20	12.00	CX34-25		3009850
XC14-018-230 + TXV	18,000	13.50	11.00	CX34-30		3009851
XC14-018-230 + TXV	18,700	14.20	12.00	CX34-31		3009852
XC14-024-230 + RFC	23,400	13.50	11.50	C33-19		3130410
XC14-024-230 + RFC	24,000	15.20	13.00	C33-19	G60UHV-36A-070	3130422
XC14-024-230 + RFC	23,400	14.20	12.50	C33-24	G71MPP-36B-070	3130477
XC14-024-230 + RFC	23,400	14.50	12.70	C33-24	G60UHV-36B-090	3130424
XC14-024-230 + RFC	23,400	14.20	12.50	C33-24	G61MPV-36B-071	3130466
XC14-024-230 + RFC	23,400	14.20	12.50	C33-24	G60UHV-36A-070	3130423
XC14-024-230 + RFC	23,400	14.20	12.50	C33-24	G61MPV-36B-045	3130425
XC14-024-230 + RFC	23,400	14.20	12.50	C33-24	G61MPV-36B-070	3130426
XC14-024-230 + RFC	24,200	15.20	12.70	C33-25	G60UHV-36A-070	3130427
XC14-024-230 + RFC	24,400	15.70	13.20	C33-25	G61MPV-36B-070	3130430

NOTES:

+ TXV = Matched with Thermostatic Expansion Valve.

+ RFC = Matched with RFC metering device.

Ratings are certified in accordance with USE certification program which is based on AHRI Standard 210/240; 95°F outdoor air temperature, 80°F db / 67°F wb entering evaporator air with 25 ft. of connecting refrigerant lines.

All ratings include the use of a blower time delay relay (TDR). All Lennox variable-speed furnaces and Air Handlers have time delay capabilities. Other Furnaces and Air Handlers may require an optional time delay relay (58M81) for field installation. See furnace or air handler specifications to determine if relay is needed.

Also see TXV Substitution Table.

AHRI RATINGS

NOTE - For the latest up-to-date system matches please visit the AHRI web site at <http://www.ahridirectory.org>

Model No.	Cooling Btuh	SEER	EER	Indoor Coil or Air Handler	Furnace	AHRI Reference
XC14-024-230 + RFC	24,400	15.70	13.20	C33-25	G61MPV-36B-071	3130467
XC14-024-230 + RFC	24,400	15.50	13.20	C33-25	G61MPV-36B-045	3130429
XC14-024-230 + RFC	24,400	15.70	13.20	C33-25	G60UHV-36B-090	3130428
XC14-024-230 + RFC	23,800	13.70	11.70	C33-25		3130408
XC14-024-230 + RFC	24,400	15.70	13.20	C33-25	G71MPP-36B-070	3130478
XC14-024-230 + RFC	23,800	14.50	12.70	C33-30	G61MPV-36B-045	3130433
XC14-024-230 + RFC	23,800	14.50	12.70	C33-30	G60UHV-36A-070	3130431
XC14-024-230 + RFC	23,800	14.50	12.70	C33-30	G71MPP-36B-070	3130479
XC14-024-230 + RFC	23,200	13.00	11.50	C33-30		3130409
XC14-024-230 + RFC	23,800	14.70	12.70	C33-30	G60UHV-36B-090	3130432
XC14-024-230 + RFC	23,800	14.50	12.70	C33-30	G61MPV-36B-070	3130434
XC14-024-230 + RFC	23,800	14.50	12.70	C33-30	G61MPV-36B-071	3130468
XC14-024-230 + RFC	24,800	16.00	13.50	C33-31	G60UHV-36B-090	3130436
XC14-024-230 + RFC	24,800	15.70	13.20	C33-31	G61MPV-36B-045	3130437
XC14-024-230 + RFC	24,800	15.70	13.20	C33-31	G61MPV-36B-070	3130438
XC14-024-230 + RFC	24,800	15.70	13.20	C33-31	G61MPV-36B-071	3130469
XC14-024-230 + RFC	24,200	14.00	12.00	C33-31		3130407
XC14-024-230 + RFC	24,800	15.70	13.20	C33-31	G60UHV-36A-070	3130435
XC14-024-230 + RFC	24,800	15.70	13.20	C33-31	G71MPP-36B-070	3130480
XC14-024-230 + RFC	24,200	15.20	13.00	C33-36	G61MPV-36B-045	3130441
XC14-024-230 + RFC	24,200	15.20	13.00	C33-36	G60UHV-36A-070	3130439
XC14-024-230 + RFC	24,200	15.70	13.20	C33-36	G60UHV-36B-090	3130440
XC14-024-230 + RFC	24,200	15.50	13.00	C33-36	G61MPV-36B-071	3130470
XC14-024-230 + RFC	23,600	13.70	11.70	C33-36		3130411
XC14-024-230 + RFC	24,200	15.50	13.00	C33-36	G61MPV-36B-070	3130442
XC14-024-230 + RFC	24,200	15.50	13.00	C33-36	G71MPP-36B-070	3130481
XC14-024-230 + RFC	24,200	14.20	12.00	C33-38		3130421
XC14-024-230 + RFC	24,600	15.50	13.20	C33-38	G61MPV-36B-070	3130464
XC14-024-230 + RFC	24,600	15.50	13.20	C33-38	G60UHV-36A-070	3130461
XC14-024-230 + RFC	24,600	15.70	13.50	C33-38	G60UHV-36B-090	3130462
XC14-024-230 + RFC	24,600	15.50	13.20	C33-38	G61MPV-36B-071	3130471
XC14-024-230 + RFC	24,600	15.20	13.20	C33-38	G61MPV-36B-045	3130463
XC14-024-230 + RFC	24,600	15.50	13.20	C33-38	G71MPP-36B-070	3130487
XC14-024-230 + RFC	23,200	15.20	12.70	CH23-31	G60UHV-36A-070	3160212
XC14-024-230 + RFC	23,800	13.50	11.70	CH23-41		3130420
XC14-024-230 + RFC	24,000	15.00	12.70	CH33-19	G60UHV-36A-070	3130447
XC14-024-230 + RFC	23,400	13.20	11.50	CH33-19		3130414
XC14-024-230 + RFC	23,800	14.70	12.70	CH33-24/30	G60UHV-36A-070	3130448
XC14-024-230 + RFC	23,200	13.20	11.50	CH33-24/30		3130415
XC14-024-230 + RFC	23,800	13.70	11.70	CH33-25		3130416
XC14-024-230 + RFC	24,400	15.20	13.20	CH33-25	G61MPV-36B-045	3130451

NOTES:

+ TXV = Matched with Thermostatic Expansion Valve.

+ RFC = Matched with RFC metering device.

Ratings are certified in accordance with USE certification program which is based on AHRI Standard 210/240; 95°F outdoor air temperature, 80°F db / 67°F wb entering evaporator air with 25 ft. of connecting refrigerant lines.

All ratings include the use of a blower time delay relay (TDR). All Lennox variable-speed furnaces and Air Handlers have time delay capabilities. Other Furnaces and Air Handlers may require an optional time delay relay (58M81) for field installation. See furnace or air handler specifications to determine if relay is needed.

Also see TXV Substitution Table.

AHRI RATINGS

NOTE - For the latest up-to-date system matches please visit the AHRI web site at <http://www.ahridirectory.org>

Model No.	Cooling Btuh	SEER	EER	Indoor Coil or Air Handler	Furnace	AHRI Reference
XC14-024-230 + RFC	24,400	15.70	13.20	CH33-25	G60UHV-36B-090	3130450
XC14-024-230 + RFC	24,400	15.50	13.20	CH33-25	G61MPV-36B-070	3130452
XC14-024-230 + RFC	24,400	15.20	13.00	CH33-25	G60UHV-36A-070	3130449
XC14-024-230 + RFC	24,400	15.50	13.20	CH33-25	G71MPP-36B-070	3130484
XC14-024-230 + RFC	24,400	15.50	13.20	CH33-25	G61MPV-36B-071	3130474
XC14-024-230 + RFC	24,200	14.00	12.00	CH33-31A		3130417
XC14-024-230 + RFC	24,800	15.70	13.20	CH33-31A	G60UHV-36A-070	3130453
XC14-024-230 + RFC	25,000	16.20	13.70	CH33-31B	G60UHV-36B-090	3130454
XC14-024-230 + RFC	24,800	16.00	13.20	CH33-31B	G61MPV-36B-070	3130456
XC14-024-230 + RFC	25,000	15.70	13.50	CH33-31B	G61MPV-36B-045	3130455
XC14-024-230 + RFC	24,800	16.00	13.20	CH33-31B	G61MPV-36B-071	3130475
XC14-024-230 + RFC	24,200	14.20	12.00	CH33-31B		3130418
XC14-024-230 + RFC	24,800	16.00	13.20	CH33-31B	G71MPP-36B-070	3130485
XC14-024-230 + RFC	23,600	13.70	11.70	CH33-36		3130419
XC14-024-230 + RFC	24,200	15.20	13.00	CH33-36	G60UHV-36A-070	3130457
XC14-024-230 + RFC	24,200	15.50	13.00	CH33-36	G61MPV-36B-071	3130476
XC14-024-230 + RFC	24,200	15.50	13.00	CH33-36	G71MPP-36B-070	3130486
XC14-024-230 + RFC	24,200	15.70	13.20	CH33-36	G60UHV-36B-090	3130458
XC14-024-230 + RFC	24,200	15.50	13.00	CH33-36	G61MPV-36B-070	3130460
XC14-024-230 + RFC	24,200	15.20	13.00	CH33-36	G61MPV-36B-045	3130459
XC14-024-230 + RFC	24,000	15.00	12.70	CR33-24	G61MPV-36B-070	3130446
XC14-024-230 + RFC	24,000	15.00	12.70	CR33-24	G61MPV-36B-071	3130473
XC14-024-230 + RFC	23,600	13.50	11.70	CR33-24		3130413
XC14-024-230 + RFC	24,200	14.70	12.70	CR33-24	G61MPV-36B-045	3130445
XC14-024-230 + RFC	24,000	15.00	12.70	CR33-24	G71MPP-36B-070	3130483
XC14-024-230 + RFC	24,000	13.70	11.70	CR33-30/36		3130412
XC14-024-230 + RFC	24,600	15.70	13.20	CR33-30/36	G61MPV-36B-071	3130472
XC14-024-230 + RFC	24,600	15.70	13.20	CR33-30/36	G61MPV-36B-070	3130444
XC14-024-230 + RFC	25,000	15.50	13.20	CR33-30/36	G60DFV-36B-090	3130465
XC14-024-230 + RFC	24,600	15.50	13.20	CR33-30/36	G61MPV-36B-045	3130443
XC14-024-230 + RFC	24,600	15.70	13.20	CR33-30/36	G71MPP-36B-070	3130482
XC14-024-230 + TXV	23,400	13.70	11.70	C33-19		3131763
XC14-024-230 + TXV	24,000	15.50	13.00	C33-19	G60UHV-36A-070	3131764
XC14-024-230 + TXV	23,200	15.00	12.70	C33-24	G60UHV-36B-090	3131766
XC14-024-230 + TXV	23,200	14.70	12.55	C33-24	G61MPV-36B-045	3131767
XC14-024-230 + TXV	22,600	13.35	11.20	C33-24		3131931
XC14-024-230 + TXV	23,200	14.70	12.50	C33-24	G71MPP-36B-070	3131770
XC14-024-230 + TXV	23,200	14.70	12.50	C33-24	G61MPV-36B-070	3131768
XC14-024-230 + TXV	23,200	14.70	12.50	C33-24	G60UHV-36A-070	3131765
XC14-024-230 + TXV	23,200	14.70	12.50	C33-24	G61MPV-36B-071	3131769
XC14-024-230 + TXV	24,400	15.70	13.20	C33-25	G71MPP-36B-070	3131778

NOTES:

+ TXV = Matched with Thermostatic Expansion Valve.

+ RFC = Matched with RFC metering device.

Ratings are certified in accordance with USE certification program which is based on AHRI Standard 210/240; 95°F outdoor air temperature, 80°F db / 67°F wb entering evaporator air with 25 ft. of connecting refrigerant lines.

All ratings include the use of a blower time delay relay (TDR). All Lennox variable-speed furnaces and Air Handlers have time delay capabilities. Other Furnaces and Air Handlers may require an optional time delay relay (58M81) for field installation. See furnace or air handler specifications to determine if relay is needed.

Also see TXV Substitution Table.

AHRI RATINGS

NOTE - For the latest up-to-date system matches please visit the AHRI web site at <http://www.ahridirectory.org>

Model No.	Cooling Btuh	SEER	EER	Indoor Coil or Air Handler	Furnace	AHRI Reference
XC14-024-230 + TXV	24,400	15.70	13.20	C33-25	G61MPV-36B-071	3131777
XC14-024-230 + TXV	24,400	16.00	13.20	C33-25	G60UHV-36B-090	3131774
XC14-024-230 + TXV	24,000	15.50	13.00	C33-25	CBWMV-36B-070	3131772
XC14-024-230 + TXV	24,200	15.50	13.00	C33-25	G60UHV-36A-070	3131773
XC14-024-230 + TXV	23,800	14.00	11.70	C33-25		3131771
XC14-024-230 + TXV	24,400	15.70	13.20	C33-25	G61MPV-36B-045	3131775
XC14-024-230 + TXV	24,400	15.70	13.20	C33-25	G61MPV-36B-070	3131776
XC14-024-230 + TXV	23,600	15.00	12.50	C33-30	G61MPV-36B-045	3131782
XC14-024-230 + TXV	23,600	15.00	12.70	C33-30	G71MPP-36B-070	3131786
XC14-024-230 + TXV	23,600	15.20	12.70	C33-30	G60UHV-36B-090	3131781
XC14-024-230 + TXV	23,600	15.00	12.70	C33-30	G61MPV-36B-070	3131783
XC14-024-230 + TXV	23,600	15.00	12.50	C33-30	G71MPP-36C-090	3131787
XC14-024-230 + TXV	23,000	13.50	11.50	C33-30		3131779
XC14-024-230 + TXV	23,600	15.00	12.70	C33-30	G61MPV-36B-071	3131784
XC14-024-230 + TXV	23,600	15.00	12.50	C33-30	G61MPV-36C-090	3131785
XC14-024-230 + TXV	23,600	15.00	12.70	C33-30	G60UHV-36A-070	3131780
XC14-024-230 + TXV	24,600	16.00	13.20	C33-31	G61MPV-36B-045	3131791
XC14-024-230 + TXV	24,600	16.00	13.20	C33-31	G61MPV-36B-071	3131793
XC14-024-230 + TXV	24,600	16.00	13.20	C33-31	G71MPP-36B-070	3131794
XC14-024-230 + TXV	24,600	16.00	13.20	C33-31	G60UHV-36A-070	3131789
XC14-024-230 + TXV	24,600	16.20	13.50	C33-31	G60UHV-36B-090	3131790
XC14-024-230 + TXV	24,600	16.00	13.20	C33-31	G61MPV-36B-070	3131792
XC14-024-230 + TXV	24,000	14.00	12.00	C33-31		3131788
XC14-024-230 + TXV	24,000	15.50	13.00	C33-36	G71MPP-36C-090	3131803
XC14-024-230 + TXV	24,200	15.70	13.20	C33-36	G61MPV-36B-070	3131799
XC14-024-230 + TXV	23,600	13.70	11.70	C33-36		3131795
XC14-024-230 + TXV	24,200	15.70	13.20	C33-36	G71MPP-36B-070	3131802
XC14-024-230 + TXV	24,200	16.00	13.20	C33-36	G60UHV-36B-090	3131797
XC14-024-230 + TXV	24,000	15.50	13.00	C33-36	G61MPV-36C-090	3131801
XC14-024-230 + TXV	24,200	15.70	13.00	C33-36	G60UHV-36A-070	3131796
XC14-024-230 + TXV	24,200	15.70	13.00	C33-36	G61MPV-36B-045	3131798
XC14-024-230 + TXV	24,200	15.70	13.20	C33-36	G61MPV-36B-071	3131800
XC14-024-230 + TXV	24,400	16.00	13.20	C33-38	G71MPP-36B-070	3131810
XC14-024-230 + TXV	24,200	14.20	12.00	C33-38		3131804
XC14-024-230 + TXV	24,600	15.70	13.20	C33-38	G61MPV-36B-045	3131807
XC14-024-230 + TXV	24,600	16.20	13.50	C33-38	G60UHV-36B-090	3131806
XC14-024-230 + TXV	24,400	15.70	13.20	C33-38	G60UHV-36A-070	3131805
XC14-024-230 + TXV	24,400	16.00	13.20	C33-38	G61MPV-36B-070	3131808
XC14-024-230 + TXV	24,400	16.00	13.20	C33-38	G61MPV-36B-071	3131809
XC14-024-230 + TXV	23,800	14.50	12.20	CB26UH-024		3131811
XC14-024-230 + TXV	24,400	16.00	13.00	CB27UH-024-230		3131812

NOTES:

+ TXV = Matched with Thermostatic Expansion Valve.

+ RFC = Matched with RFC metering device.

Ratings are certified in accordance with USE certification program which is based on AHRI Standard 210/240; 95°F outdoor air temperature, 80°F db / 67°F wb entering evaporator air with 25 ft. of connecting refrigerant lines.

All ratings include the use of a blower time delay relay (TDR). All Lennox variable-speed furnaces and Air Handlers have time delay capabilities. Other Furnaces and Air Handlers may require an optional time delay relay (58M81) for field installation. See furnace or air handler specifications to determine if relay is needed.

Also see TXV Substitution Table.

AHRI RATINGS

NOTE - For the latest up-to-date system matches please visit the AHRI web site at <http://www.ahridirectory.org>

Model No.	Cooling Btuh	SEER	EER	Indoor Coil or Air Handler	Furnace	AHRI Reference
XC14-024-230 + TXV	24,600	16.20	13.50	CB27UH-030-230		3131813
XC14-024-230 + TXV	23,600	14.20	11.70	CB30M-21/26P		3131814
XC14-024-230 + TXV	24,200	14.70	12.50	CB30M-31P		3131815
XC14-024-230 + TXV	25,400	15.20	12.70	CB30M-41P		3131816
XC14-024-230 + TXV	23,800	14.50	12.20	CBX26UH-024		3131819
XC14-024-230 + TXV	24,400	16.00	13.20	CBX27UH-024-230		3131820
XC14-024-230 + TXV	24,600	16.20	13.50	CBX27UH-030-230		3131821
XC14-024-230 + TXV	23,600	14.20	11.70	CBX32M-018/024		3131822
XC14-024-230 + TXV	24,200	14.70	12.50	CBX32M-030		3131823
XC14-024-230 + TXV	25,400	15.20	12.70	CBX32M-036		3131824
XC14-024-230 + TXV	23,800	14.50	12.00	CBX32MV-018/024		3131825
XC14-024-230 + TXV	24,400	15.70	13.00	CBX32MV-024/030		3131826
XC14-024-230 + TXV	24,600	15.50	12.70	CBX32MV-036		3131827
XC14-024-230 + TXV	23,800	14.50	12.00	CBX40UHV-024		3291606
XC14-024-230 + TXV	24,400	15.70	13.00	CBX40UHV-030		3291626
XC14-024-230 + TXV	24,600	15.50	12.70	CBX40UHV-036		3291675
XC14-024-230 + TXV	22,400	13.20	11.20	CH23-31		3131828
XC14-024-230 + TXV	23,600	14.00	11.70	CH23-41		3131829
XC14-024-230 + TXV	23,200	13.70	11.50	CH33-19		3131831
XC14-024-230 + TXV	23,800	15.50	12.70	CH33-19	G60UHV-36A-070	3131830
XC14-024-230 + TXV	23,200	13.50	11.50	CH33-24/30		3131833
XC14-024-230 + TXV	23,600	15.20	12.70	CH33-24/30	G60UHV-36A-070	3131832
XC14-024-230 + TXV	24,200	15.50	13.00	CH33-25A	G60UHV-36A-070	3131932
XC14-024-230 + TXV	23,800	14.00	11.70	CH33-25A		3131834
XC14-024-230 + TXV	24,200	15.70	13.20	CH33-25B	G61MPV-36B-070	3131837
XC14-024-230 + TXV	24,200	15.70	13.00	CH33-25B	G61MPV-36B-045	3131836
XC14-024-230 + TXV	24,200	15.70	13.20	CH33-25B	G61MPV-36B-071	3131838
XC14-024-230 + TXV	24,200	16.00	13.20	CH33-25B	G60UHV-36B-090	3131835
XC14-024-230 + TXV	24,200	15.70	13.20	CH33-25B	G71MPP-36B-070	3131839
XC14-024-230 + TXV	23,600	13.70	11.70	CH33-25B		3131840
XC14-024-230 + TXV	24,200	14.20	12.00	CH33-31A		3131842
XC14-024-230 + TXV	24,800	15.70	13.20	CH33-31A	G60UHV-36A-070	3131841
XC14-024-230 + TXV	24,800	16.00	13.20	CH33-31B	G61MPV-36B-045	3131844
XC14-024-230 + TXV	24,800	16.00	13.50	CH33-31B	G61MPV-36B-071	3131846
XC14-024-230 + TXV	24,800	16.00	13.50	CH33-31B	G71MPP-36B-070	3131847
XC14-024-230 + TXV	24,800	16.20	13.50	CH33-31B	G60UHV-36B-090	3131843
XC14-024-230 + TXV	24,800	16.00	13.50	CH33-31B	G61MPV-36B-070	3131845
XC14-024-230 + TXV	24,200	14.20	12.00	CH33-31B		3131848
XC14-024-230 + TXV	24,000	15.50	13.00	CH33-36A	G60UHV-36A-070	3131849
XC14-024-230 + TXV	24,200	16.00	13.20	CH33-36B	G60UHV-36B-090	3131850
XC14-024-230 + TXV	24,200	15.70	13.20	CH33-36B	G71MPP-36B-070	3131854

NOTES:

+ TXV = Matched with Thermostatic Expansion Valve.

+ RFC = Matched with RFC metering device.

Ratings are certified in accordance with USE certification program which is based on AHRI Standard 210/240; 95°F outdoor air temperature, 80°F db / 67°F wb entering evaporator air with 25 ft. of connecting refrigerant lines.

All ratings include the use of a blower time delay relay (TDR). All Lennox variable-speed furnaces and Air Handlers have time delay capabilities. Other Furnaces and Air Handlers may require an optional time delay relay (58M81) for field installation. See furnace or air handler specifications to determine if relay is needed.

Also see TXV Substitution Table.

AHRI RATINGS

NOTE - For the latest up-to-date system matches please visit the AHRI web site at <http://www.ahridirectory.org>

Model No.	Cooling Btuh	SEER	EER	Indoor Coil or Air Handler	Furnace	AHRI Reference
XC14-024-230 + TXV	24,200	15.70	13.00	CH33-36B	G61MPV-36B-045	3131851
XC14-024-230 + TXV	24,200	15.70	13.20	CH33-36B	G61MPV-36B-071	3131853
XC14-024-230 + TXV	24,200	15.70	13.20	CH33-36B	G61MPV-36B-070	3131852
XC14-024-230 + TXV	23,400	13.70	11.50	CR33-24		3131855
XC14-024-230 + TXV	24,000	15.20	12.70	CR33-24	G71MPP-36B-070	3131859
XC14-024-230 + TXV	24,000	15.20	12.70	CR33-24	G61MPV-36B-071	3131858
XC14-024-230 + TXV	24,000	15.20	12.70	CR33-24	G61MPV-36B-045	3131856
XC14-024-230 + TXV	24,000	15.20	12.70	CR33-24	G61MPV-36B-070	3131857
XC14-024-230 + TXV	24,400	15.00	12.00	CR33-30/36	G60DFV-36A-070	3131861
XC14-024-230 + TXV	24,800	15.70	13.00	CR33-30/36	G60DFV-36B-090	3131862
XC14-024-230 + TXV	24,600	15.70	13.20	CR33-30/36	G61MPV-36B-045	3131863
XC14-024-230 + TXV	24,600	16.00	13.20	CR33-30/36	G71MPP-36B-070	3131866
XC14-024-230 + TXV	24,600	16.00	13.20	CR33-30/36	G61MPV-36B-071	3131865
XC14-024-230 + TXV	23,800	14.00	11.70	CR33-30/36		3131860
XC14-024-230 + TXV	24,600	16.00	13.20	CR33-30/36	G61MPV-36B-070	3131864
XC14-024-230 + TXV	23,200	14.70	12.50	CX34-18/24	G71MPP-36B-070	3131873
XC14-024-230 + TXV	22,600	13.20	11.20	CX34-18/24		3131867
XC14-024-230 + TXV	23,200	14.70	12.50	CX34-18/24	G60UHV-36A-070	3131868
XC14-024-230 + TXV	23,200	14.70	12.20	CX34-18/24	G61MPV-36B-045	3131870
XC14-024-230 + TXV	23,200	14.70	12.50	CX34-18/24	G61MPV-36B-071	3131872
XC14-024-230 + TXV	23,200	15.00	12.70	CX34-18/24	G60UHV-36B-090	3131869
XC14-024-230 + TXV	23,200	14.70	12.50	CX34-18/24	G61MPV-36B-070	3131871
XC14-024-230 + TXV	24,000	15.50	13.00	CX34-19	G60UHV-36A-070	3131875
XC14-024-230 + TXV	23,400	13.70	11.70	CX34-19		3131874
XC14-024-230 + TXV	24,400	15.70	13.20	CX34-25	G61MPV-36B-045	3131880
XC14-024-230 + TXV	24,400	15.70	13.20	CX34-25	G61MPV-36B-071	3131882
XC14-024-230 + TXV	24,400	15.70	13.20	CX34-25	G71MPP-36B-070	3131883
XC14-024-230 + TXV	24,000	15.50	13.00	CX34-25	CBWMV-36B-070	3131877
XC14-024-230 + TXV	24,400	16.00	13.20	CX34-25	G60UHV-36B-090	3131879
XC14-024-230 + TXV	24,400	15.70	13.20	CX34-25	G61MPV-36B-070	3131881
XC14-024-230 + TXV	23,800	14.00	11.70	CX34-25		3131876
XC14-024-230 + TXV	24,200	15.50	13.00	CX34-25	G60UHV-36A-070	3131878
XC14-024-230 + TXV	23,600	15.00	12.50	CX34-30	O23V2/3-70/90	3131884
XC14-024-230 + TXV	23,600	15.00	12.50	CX34-30	G61MPV-36B-045	3131888
XC14-024-230 + TXV	23,600	15.00	12.70	CX34-30	G71MPP-36B-070	3131892
XC14-024-230 + TXV	23,600	15.20	12.70	CX34-30	G60UHV-36B-090	3131887
XC14-024-230 + TXV	23,600	15.00	12.70	CX34-30	G61MPV-36B-070	3131889
XC14-024-230 + TXV	23,600	15.00	12.50	CX34-30	G61MPV-36C-090	3131891
XC14-024-230 + TXV	23,600	15.00	12.50	CX34-30	G71MPP-36C-090	3131893
XC14-024-230 + TXV	23,000	13.50	11.50	CX34-30		3131885
XC14-024-230 + TXV	23,600	15.00	12.70	CX34-30	G60UHV-36A-070	3131886

NOTES:

+ TXV = Matched with Thermostatic Expansion Valve.

+ RFC = Matched with RFC metering device.

Ratings are certified in accordance with USE certification program which is based on AHRI Standard 210/240; 95°F outdoor air temperature, 80°F db / 67°F wb entering evaporator air with 25 ft. of connecting refrigerant lines.

All ratings include the use of a blower time delay relay (TDR). All Lennox variable-speed furnaces and Air Handlers have time delay capabilities. Other Furnaces and Air Handlers may require an optional time delay relay (58M81) for field installation. See furnace or air handler specifications to determine if relay is needed.

Also see TXV Substitution Table.

AHRI RATINGS

NOTE - For the latest up-to-date system matches please visit the AHRI web site at <http://www.ahridirectory.org>

Model No.	Cooling Btuh	SEER	EER	Indoor Coil or Air Handler	Furnace	AHRI Reference
XC14-024-230 + TXV	23,600	15.00	12.70	CX34-30	G61MPV-36B-071	3131890
XC14-024-230 + TXV	24,600	16.00	13.20	CX34-31	G61MPV-36B-070	3131898
XC14-024-230 + TXV	24,600	16.00	13.20	CX34-31	G71MPP-36B-070	3131900
XC14-024-230 + TXV	24,000	14.00	12.00	CX34-31		3131894
XC14-024-230 + TXV	24,600	16.00	13.20	CX34-31	G60UHV-36A-070	3131895
XC14-024-230 + TXV	24,600	16.00	13.20	CX34-31	G61MPV-36B-045	3131897
XC14-024-230 + TXV	24,600	16.20	13.50	CX34-31	G60UHV-36B-090	3131896
XC14-024-230 + TXV	24,600	16.00	13.20	CX34-31	G61MPV-36B-071	3131899
XC14-024-230 + TXV	24,200	15.70	13.20	CX34-36	G61MPV-36B-070	3131905
XC14-024-230 + TXV	24,000	15.50	13.00	CX34-36	G71MPP-36C-090	3131909
XC14-024-230 + TXV	23,600	13.70	11.70	CX34-36		3131901
XC14-024-230 + TXV	24,200	16.00	13.20	CX34-36	G60UHV-36B-090	3131903
XC14-024-230 + TXV	24,200	15.70	13.20	CX34-36	G71MPP-36B-070	3131908
XC14-024-230 + TXV	24,200	15.70	13.00	CX34-36	G61MPV-36B-045	3131904
XC14-024-230 + TXV	24,200	15.70	13.00	CX34-36	G60UHV-36A-070	3131902
XC14-024-230 + TXV	24,000	15.50	13.00	CX34-36	G61MPV-36C-090	3131907
XC14-024-230 + TXV	24,200	15.70	13.20	CX34-36	G61MPV-36B-071	3131906
XC14-024-230 + TXV	24,200	14.20	12.00	CX34-38		3131910
XC14-024-230 + TXV	24,600	16.20	13.50	CX34-38	G60UHV-36B-090	3131912
XC14-024-230 + TXV	24,400	15.70	13.20	CX34-38	G60UHV-36A-070	3131911
XC14-024-230 + TXV	24,400	16.00	13.20	CX34-38	G61MPV-36B-070	3131914
XC14-024-230 + TXV	24,400	16.00	13.20	CX34-38	G61MPV-36B-071	3131915
XC14-024-230 + TXV	24,600	15.70	13.20	CX34-38	G61MPV-36B-045	3131913
XC14-024-230 + TXV	24,400	16.00	13.20	CX34-38	G71MPP-36B-070	3131916
XC14-030-230 + RFC	28,000	15.00	12.70	C33-25	G60UHV-36B-090	3130516
XC14-030-230 + RFC	27,600	14.00	12.00	C33-25	G61MPV-36B-045	3130517
XC14-030-230 + RFC	27,800	14.70	12.50	C33-25	G71MPP-36B-070	3130576
XC14-030-230 + RFC	27,400	13.50	11.70	C33-25		3130499
XC14-030-230 + RFC	27,800	14.70	12.50	C33-25	G60UHV-36A-070	3130515
XC14-030-230 + RFC	27,800	14.70	12.50	C33-25	G61MPV-36B-070	3130518
XC14-030-230 + RFC	27,800	14.70	12.50	C33-25	G61MPV-36B-071	3130563
XC14-030-230 + RFC	27,200	13.50	11.70	C33-30	G61MPV-36B-045	3130521
XC14-030-230 + RFC	27,400	14.00	12.20	C33-30	G61MPV-36B-071	3130564
XC14-030-230 + RFC	27,400	14.00	12.20	C33-30	G60UHV-36A-070	3130519
XC14-030-230 + RFC	27,600	14.20	12.50	C33-30	G60UHV-36B-090	3130520
XC14-030-230 + RFC	27,400	14.00	12.20	C33-30	G61MPV-36B-070	3130522
XC14-030-230 + RFC	27,000	13.00	11.50	C33-30		3130500
XC14-030-230 + RFC	27,400	14.00	12.20	C33-30	G71MPP-36B-070	3130577
XC14-030-230 + RFC	28,000	13.70	11.70	C33-31		3130498
XC14-030-230 + RFC	28,600	15.00	13.00	C33-31	G71MPP-36B-070	3130578
XC14-030-230 + RFC	28,600	15.20	13.00	C33-31	G60UHV-36A-070	3130523

NOTES:

+ TXV = Matched with Thermostatic Expansion Valve.

+ RFC = Matched with RFC metering device.

Ratings are certified in accordance with USE certification program which is based on AHRI Standard 210/240; 95°F outdoor air temperature, 80°F db / 67°F wb entering evaporator air with 25 ft. of connecting refrigerant lines.

All ratings include the use of a blower time delay relay (TDR). All Lennox variable-speed furnaces and Air Handlers have time delay capabilities. Other Furnaces and Air Handlers may require an optional time delay relay (58M81) for field installation. See furnace or air handler specifications to determine if relay is needed.

Also see TXV Substitution Table.

AHRI RATINGS

NOTE - For the latest up-to-date system matches please visit the AHRI web site at <http://www.ahridirectory.org>

Model No.	Cooling Btuh	SEER	EER	Indoor Coil or Air Handler	Furnace	AHRI Reference
XC14-030-230 + RFC	28,600	15.50	13.20	C33-31	G60UHV-36B-090	3130524
XC14-030-230 + RFC	28,400	14.50	12.50	C33-31	G61MPV-36B-045	3130525
XC14-030-230 + RFC	28,600	15.00	13.00	C33-31	G61MPV-36B-070	3130526
XC14-030-230 + RFC	28,600	15.00	13.00	C33-31	G61MPV-36B-071	3130565
XC14-030-230 + RFC	27,600	14.20	12.20	C33-36	G61MPV-36B-045	3130529
XC14-030-230 + RFC	27,800	15.00	12.70	C33-36	G60UHV-36B-090	3130528
XC14-030-230 + RFC	27,800	14.70	12.50	C33-36	G71MPP-36B-070	3130579
XC14-030-230 + RFC	27,800	14.70	12.70	C33-36	G60UHV-36A-070	3130527
XC14-030-230 + RFC	27,400	13.50	11.50	C33-36		3130502
XC14-030-230 + RFC	27,800	14.70	12.50	C33-36	G61MPV-36B-071	3130566
XC14-030-230 + RFC	27,800	14.70	12.50	C33-36	G61MPV-36B-070	3130530
XC14-030-230 + RFC	28,200	14.20	12.50	C33-38	G61MPV-36B-045	3130533
XC14-030-230 + RFC	28,400	14.70	12.70	C33-38	G61MPV-36B-070	3130534
XC14-030-230 + RFC	28,400	14.70	12.70	C33-38	G71MPP-36B-070	3130580
XC14-030-230 + RFC	28,200	14.00	12.00	C33-38		3130501
XC14-030-230 + RFC	28,400	14.70	12.70	C33-38	G61MPV-36B-071	3130567
XC14-030-230 + RFC	28,400	15.00	12.70	C33-38	G60UHV-36A-070	3130531
XC14-030-230 + RFC	28,600	15.20	13.20	C33-38	G60UHV-36B-090	3130532
XC14-030-230 + RFC	27,800	14.70	12.50	C33-42	G61MPV-36B-070	3130537
XC14-030-230 + RFC	27,800	14.70	12.50	C33-42	G61MPV-36B-071	3130568
XC14-030-230 + RFC	27,800	15.00	12.70	C33-42	G60UHV-36B-090	3130535
XC14-030-230 + RFC	27,400	13.50	11.50	C33-42		3130503
XC14-030-230 + RFC	27,600	14.20	12.20	C33-42	G61MPV-36B-045	3130536
XC14-030-230 + RFC	27,800	14.70	12.50	C33-42	G71MPP-36B-070	3130581
XC14-030-230 + RFC	28,800	15.20	13.00	C33-43	G71MPP-36B-070	3130582
XC14-030-230 + RFC	28,600	14.70	12.70	C33-43	G61MPV-36B-045	3130539
XC14-030-230 + RFC	28,400	14.00	12.00	C33-43		3130504
XC14-030-230 + RFC	28,800	15.70	13.20	C33-43	G60UHV-36B-090	3130538
XC14-030-230 + RFC	28,800	15.20	13.00	C33-43	G61MPV-36B-070	3130540
XC14-030-230 + RFC	28,800	15.20	13.00	C33-43	G61MPV-36B-071	3130569
XC14-030-230 + RFC	27,000	13.00	11.50	CH33-19		3130507
XC14-030-230 + RFC	27,400	14.20	12.20	CH33-19	G60UHV-36A-070	3130546
XC14-030-230 + RFC	28,000	14.70	12.70	CH33-25A	G60UHV-36A-070	3130547
XC14-030-230 + RFC	27,600	13.50	11.70	CH33-25A		3130508
XC14-030-230 + RFC	28,000	15.20	13.00	CH33-25B	G60UHV-36B-090	3130548
XC14-030-230 + RFC	28,000	14.70	12.70	CH33-25B	G61MPV-36B-070	3130550
XC14-030-230 + RFC	28,000	14.70	12.70	CH33-25B	G71MPP-36B-070	3130585
XC14-030-230 + RFC	28,000	14.70	12.70	CH33-25B	G61MPV-36B-071	3130572
XC14-030-230 + RFC	27,600	13.50	11.70	CH33-25B		3130509
XC14-030-230 + RFC	27,800	14.20	12.20	CH33-25B	G61MPV-36B-045	3130549
XC14-030-230 + RFC	28,400	15.20	12.70	CH33-31A	G60UHV-36A-070	3130551

NOTES:

+ TXV = Matched with Thermostatic Expansion Valve.

+ RFC = Matched with RFC metering device.

Ratings are certified in accordance with USE certification program which is based on AHRI Standard 210/240; 95°F outdoor air temperature, 80°F db / 67°F wb entering evaporator air with 25 ft. of connecting refrigerant lines.

All ratings include the use of a blower time delay relay (TDR). All Lennox variable-speed furnaces and Air Handlers have time delay capabilities. Other Furnaces and Air Handlers may require an optional time delay relay (58M81) for field installation. See furnace or air handler specifications to determine if relay is needed.

Also see TXV Substitution Table.

AHRI RATINGS

NOTE - For the latest up-to-date system matches please visit the AHRI web site at <http://www.ahridirectory.org>

Model No.	Cooling Btuh	SEER	EER	Indoor Coil or Air Handler	Furnace	AHRI Reference
XC14-030-230 + RFC	28,200	14.00	12.00	CH33-31A		3130510
XC14-030-230 + RFC	28,600	15.20	13.00	CH33-31B	G71MPP-36B-070	3130586
XC14-030-230 + RFC	28,200	14.00	12.00	CH33-31B		3130511
XC14-030-230 + RFC	28,400	14.70	12.50	CH33-31B	G61MPV-36B-045	3130553
XC14-030-230 + RFC	28,800	15.70	13.20	CH33-31B	G60UHV-36B-090	3130552
XC14-030-230 + RFC	28,600	15.20	13.00	CH33-31B	G61MPV-36B-070	3130554
XC14-030-230 + RFC	28,600	15.20	13.00	CH33-31B	G61MPV-36B-071	3130573
XC14-030-230 + RFC	27,800	14.50	12.50	CH33-36A	G60UHV-36A-070	3130555
XC14-030-230 + RFC	27,400	13.50	11.70	CH33-36A		3130512
XC14-030-230 + RFC	27,800	14.70	12.50	CH33-36B	G61MPV-36B-070	3130558
XC14-030-230 + RFC	27,800	14.70	12.50	CH33-36B	G61MPV-36B-071	3130574
XC14-030-230 + RFC	27,600	14.20	12.20	CH33-36B	G61MPV-36B-045	3130557
XC14-030-230 + RFC	27,400	13.50	11.70	CH33-36B		3130513
XC14-030-230 + RFC	27,800	14.70	12.50	CH33-36B	G71MPP-36B-070	3130587
XC14-030-230 + RFC	28,000	15.00	13.00	CH33-36B	G60UHV-36B-090	3130556
XC14-030-230 + RFC	28,400	15.00	12.70	CH33-42	G61MPV-36B-071	3130575
XC14-030-230 + RFC	28,000	13.70	11.70	CH33-42		3130514
XC14-030-230 + RFC	28,600	15.50	13.20	CH33-42	G60UHV-36B-090	3130559
XC14-030-230 + RFC	28,200	14.50	12.50	CH33-42	G61MPV-36B-045	3130560
XC14-030-230 + RFC	28,400	15.00	12.70	CH33-42	G71MPP-36B-070	3130588
XC14-030-230 + RFC	28,400	15.00	12.70	CH33-42	G61MPV-36B-070	3130561
XC14-030-230 + RFC	27,600	14.50	12.50	CR33-24	G60DFV-36B-090	3130562
XC14-030-230 + RFC	27,600	14.00	12.20	CR33-24	G71MPP-36B-070	3130584
XC14-030-230 + RFC	27,200	13.20	11.50	CR33-24		3130506
XC14-030-230 + RFC	27,600	14.00	12.20	CR33-24	G61MPV-36B-071	3130571
XC14-030-230 + RFC	27,600	14.00	12.20	CR33-24	G61MPV-36B-070	3130545
XC14-030-230 + RFC	27,400	13.50	11.70	CR33-24	G61MPV-36B-045	3130544
XC14-030-230 + RFC	27,600	13.70	11.70	CR33-30/36		3130505
XC14-030-230 + RFC	28,200	15.00	12.70	CR33-30/36	G71MPP-36B-070	3130583
XC14-030-230 + RFC	28,200	15.00	12.70	CR33-30/36	G61MPV-36B-071	3130570
XC14-030-230 + RFC	28,000	15.00	12.70	CR33-30/36	G60DFV-36B-090	3130541
XC14-030-230 + RFC	28,200	15.00	12.70	CR33-30/36	G61MPV-36B-070	3130543
XC14-030-230 + RFC	28,000	14.50	12.20	CR33-30/36	G61MPV-36B-045	3130542
XC14-030-230 + TXV	28,000	15.50	12.70	C33-25	G60UHV-36B-090	3131935
XC14-030-230 + TXV	28,000	15.00	12.50	C33-25	G61MPV-36B-070	3131937
XC14-030-230 + TXV	27,600	13.70	11.70	C33-25		3132074
XC14-030-230 + TXV	28,000	15.00	12.50	C33-25	G71MPP-36B-070	3131939
XC14-030-230 + TXV	28,000	15.00	12.50	C33-25	G61MPV-36B-071	3131938
XC14-030-230 + TXV	27,600	14.50	12.00	C33-25	G61MPV-36B-045	3131936
XC14-030-230 + TXV	27,200	14.50	12.20	C33-30	G71MPP-36B-070	3131945
XC14-030-230 + TXV	27,200	15.00	12.50	C33-30	G60UHV-36B-090	3131941

NOTES:

+ TXV = Matched with Thermostatic Expansion Valve.

+ RFC = Matched with RFC metering device.

Ratings are certified in accordance with USE certification program which is based on AHRI Standard 210/240; 95°F outdoor air temperature, 80°F db / 67°F wb entering evaporator air with 25 ft. of connecting refrigerant lines.

All ratings include the use of a blower time delay relay (TDR). All Lennox variable-speed furnaces and Air Handlers have time delay capabilities. Other Furnaces and Air Handlers may require an optional time delay relay (58M81) for field installation. See furnace or air handler specifications to determine if relay is needed.

Also see TXV Substitution Table.

AHRI RATINGS

NOTE - For the latest up-to-date system matches please visit the AHRI web site at <http://www.ahridirectory.org>

Model No.	Cooling Btuh	SEER	EER	Indoor Coil or Air Handler	Furnace	AHRI Reference
XC14-030-230 + TXV	27,200	14.50	12.20	C33-30	G61MPV-36B-070	3131943
XC14-030-230 + TXV	27,200	14.50	12.20	C33-30	G61MPV-36B-071	3131944
XC14-030-230 + TXV	27,200	14.70	12.20	C33-30	G60UHV-36A-070	3131940
XC14-030-230 + TXV	27,000	14.00	11.70	C33-30	G61MPV-36B-045	3131942
XC14-030-230 + TXV	26,800	13.50	11.20	C33-30		3132075
XC14-030-230 + TXV	28,200	15.00	12.50	C33-31	G61MPV-36B-045	3131948
XC14-030-230 + TXV	28,000	14.20	12.00	C33-31		3132076
XC14-030-230 + TXV	28,400	15.50	12.70	C33-31	G61MPV-36B-070	3131949
XC14-030-230 + TXV	28,400	15.70	13.00	C33-31	G60UHV-36A-070	3131946
XC14-030-230 + TXV	28,400	15.50	12.70	C33-31	G61MPV-36B-071	3131950
XC14-030-230 + TXV	28,400	15.50	12.70	C33-31	G71MPP-36B-070	3131951
XC14-030-230 + TXV	28,600	16.00	13.20	C33-31	G60UHV-36B-090	3131947
XC14-030-230 + TXV	27,800	15.20	12.70	C33-36	G61MPV-36C-090	3131957
XC14-030-230 + TXV	27,800	15.20	12.50	C33-36	G71MPP-36B-070	3131958
XC14-030-230 + TXV	27,800	15.20	12.70	C33-36	G60UHV-36A-070	3131952
XC14-030-230 + TXV	27,600	14.50	12.20	C33-36	G61MPV-36B-045	3131954
XC14-030-230 + TXV	27,400	13.70	11.70	C33-36		3132077
XC14-030-230 + TXV	28,000	15.50	13.00	C33-36	G60UHV-36B-090	3131953
XC14-030-230 + TXV	27,800	15.20	12.50	C33-36	G61MPV-36B-070	3131955
XC14-030-230 + TXV	27,800	15.20	12.50	C33-36	G61MPV-36B-071	3131956
XC14-030-230 + TXV	28,400	15.50	13.00	C33-38	G60UHV-36A-070	3131959
XC14-030-230 + TXV	28,200	14.70	12.50	C33-38	G61MPV-36B-045	3131961
XC14-030-230 + TXV	28,400	15.50	12.70	C33-38	G61MPV-36B-070	3131962
XC14-030-230 + TXV	28,400	15.50	12.70	C33-38	G71MPP-36B-070	3131964
XC14-030-230 + TXV	28,200	14.20	12.00	C33-38		3132078
XC14-030-230 + TXV	28,400	15.50	12.70	C33-38	G61MPV-36B-071	3131963
XC14-030-230 + TXV	28,400	15.70	13.20	C33-38	G60UHV-36B-090	3131960
XC14-030-230 + TXV	28,000	15.50	13.00	C33-42	G60UHV-36B-090	3131965
XC14-030-230 + TXV	27,800	15.20	12.50	C33-42	G61MPV-36B-070	3131967
XC14-030-230 + TXV	27,400	13.70	11.70	C33-42		3132079
XC14-030-230 + TXV	27,800	15.20	12.50	C33-42	G71MPP-36B-070	3131969
XC14-030-230 + TXV	27,600	14.50	12.20	C33-42	G61MPV-36B-045	3131966
XC14-030-230 + TXV	27,800	15.20	12.50	C33-42	G61MPV-36B-071	3131968
XC14-030-230 + TXV	28,800	15.70	13.00	C33-43	G71MPP-36B-070	3131974
XC14-030-230 + TXV	28,800	15.50	13.00	C33-43	G61MPV-36C-090	3131975
XC14-030-230 + TXV	28,800	15.70	13.00	C33-43	G61MPV-36B-070	3131972
XC14-030-230 + TXV	28,800	15.50	13.00	C33-43	G71MPP-36C-090	3131976
XC14-030-230 + TXV	28,400	14.20	12.00	C33-43		3132080
XC14-030-230 + TXV	28,600	15.20	12.70	C33-43	G61MPV-36B-045	3131971
XC14-030-230 + TXV	28,800	15.70	13.00	C33-43	G61MPV-36B-071	3131973
XC14-030-230 + TXV	29,000	16.20	13.50	C33-43	G60UHV-36B-090	3131970

NOTES:

+ TXV = Matched with Thermostatic Expansion Valve.

+ RFC = Matched with RFC metering device.

Ratings are certified in accordance with USE certification program which is based on AHRI Standard 210/240; 95°F outdoor air temperature, 80°F db / 67°F wb entering evaporator air with 25 ft. of connecting refrigerant lines.

All ratings include the use of a blower time delay relay (TDR). All Lennox variable-speed furnaces and Air Handlers have time delay capabilities. Other Furnaces and Air Handlers may require an optional time delay relay (58M81) for field installation. See furnace or air handler specifications to determine if relay is needed.

Also see TXV Substitution Table.

AHRI RATINGS

NOTE - For the latest up-to-date system matches please visit the AHRI web site at <http://www.ahridirectory.org>

Model No.	Cooling Btuh	SEER	EER	Indoor Coil or Air Handler	Furnace	AHRI Reference
XC14-030-230 + TXV	27,800	14.50	12.20	CB26UH-030		3131977
XC14-030-230 + TXV	28,400	15.70	13.20	CB27UH-030-230		3131978
XC14-030-230 + TXV	28,400	16.00	13.20	CB27UH-036-230		3131979
XC14-030-230 + TXV	26,800	13.70	11.70	CB30M-21/26P		3131980
XC14-030-230 + TXV	29,200	15.50	13.00	CB30M-31P		3131981
XC14-030-230 + TXV	29,200	15.20	12.70	CB30M-41P		3131982
XC14-030-230 + TXV	27,800	14.50	12.20	CBX26UH-030		3131985
XC14-030-230 + TXV	28,400	15.70	13.20	CBX27UH-030-230		3131986
XC14-030-230 + TXV	28,400	16.00	13.20	CBX27UH-036-230		3131987
XC14-030-230 + TXV	26,800	13.70	11.70	CBX32M-018/024		3132082
XC14-030-230 + TXV	29,200	15.50	13.00	CBX32M-030		3131988
XC14-030-230 + TXV	29,200	15.20	12.70	CBX32M-036		3131989
XC14-030-230 + TXV	28,000	15.20	12.70	CBX32MV-024/030		3131990
XC14-030-230 + TXV	28,400	15.50	13.00	CBX32MV-036		3131991
XC14-030-230 + TXV	28,000	15.20	12.70	CBX40UHV-030		3291627
XC14-030-230 + TXV	28,400	15.50	13.00	CBX40UHV-036		3291676
XC14-030-230 + TXV	26,600	14.50	12.00	CH23-31	G61MPV-36B-070	3345707
XC14-030-230 + TXV	26,600	14.50	12.00	CH23-31	G71MPP-36B-070	3345708
XC14-030-230 + TXV	27,200	14.70	12.20	CH33-19	G60UHV-36A-070	3131992
XC14-030-230 + TXV	27,000	13.50	11.50	CH33-19		3132083
XC14-030-230 + TXV	27,600	14.00	11.70	CH33-25A		3132084
XC14-030-230 + TXV	28,000	15.20	12.70	CH33-25A	G60UHV-36A-070	3131993
XC14-030-230 + TXV	28,000	15.20	12.70	CH33-25B	G61MPV-36B-070	3131996
XC14-030-230 + TXV	28,000	15.20	12.70	CH33-25B	G71MPP-36B-070	3131998
XC14-030-230 + TXV	28,000	15.50	13.00	CH33-25B	G60UHV-36B-090	3131994
XC14-030-230 + TXV	27,600	14.70	12.20	CH33-25B	G61MPV-36B-045	3131995
XC14-030-230 + TXV	28,000	15.20	12.70	CH33-25B	G61MPV-36B-071	3131997
XC14-030-230 + TXV	27,400	13.70	11.70	CH33-25B		3132085
XC14-030-230 + TXV	28,200	14.20	12.00	CH33-31A		3132086
XC14-030-230 + TXV	28,600	15.50	13.00	CH33-31A	G60UHV-36A-070	3131999
XC14-030-230 + TXV	28,800	16.00	13.20	CH33-31B	G60UHV-36B-090	3132000
XC14-030-230 + TXV	28,600	15.20	13.00	CH33-31B	G71MPP-36B-070	3132089
XC14-030-230 + TXV	28,400	15.00	12.50	CH33-31B	G61MPV-36B-045	3132001
XC14-030-230 + TXV	28,600	15.20	13.00	CH33-31B	G61MPV-36B-071	3132088
XC14-030-230 + TXV	28,200	14.20	12.00	CH33-31B		3132090
XC14-030-230 + TXV	28,600	15.20	13.00	CH33-31B	G61MPV-36B-070	3132087
XC14-030-230 + TXV	27,400	13.70	11.70	CH33-36A		3132091
XC14-030-230 + TXV	27,600	15.00	12.50	CH33-36A	G60UHV-36A-070	3132002
XC14-030-230 + TXV	27,400	13.70	11.70	CH33-36B		3132092
XC14-030-230 + TXV	27,800	15.50	12.70	CH33-36B	G60UHV-36B-090	3132003
XC14-030-230 + TXV	27,600	14.50	12.20	CH33-36B	G61MPV-36B-045	3132004

NOTES:

+ TXV = Matched with Thermostatic Expansion Valve.

+ RFC = Matched with RFC metering device.

Ratings are certified in accordance with USE certification program which is based on AHRI Standard 210/240; 95°F outdoor air temperature, 80°F db / 67°F wb entering evaporator air with 25 ft. of connecting refrigerant lines.

All ratings include the use of a blower time delay relay (TDR). All Lennox variable-speed furnaces and Air Handlers have time delay capabilities. Other Furnaces and Air Handlers may require an optional time delay relay (58M81) for field installation. See furnace or air handler specifications to determine if relay is needed.

Also see TXV Substitution Table.

AHRI RATINGS

NOTE - For the latest up-to-date system matches please visit the AHRI web site at <http://www.ahridirectory.org>

Model No.	Cooling Btuh	SEER	EER	Indoor Coil or Air Handler	Furnace	AHRI Reference
XC14-030-230 + TXV	27,800	15.00	12.50	CH33-36B	G61MPV-36B-071	3132006
XC14-030-230 + TXV	27,800	15.00	12.50	CH33-36B	G71MPP-36B-070	3132007
XC14-030-230 + TXV	27,800	15.00	12.50	CH33-36B	G61MPV-36B-070	3132005
XC14-030-230 + TXV	28,600	15.70	13.20	CH33-42	G60UHV-36B-090	3132008
XC14-030-230 + TXV	28,200	15.00	12.50	CH33-42	G61MPV-36B-045	3132009
XC14-030-230 + TXV	28,400	15.50	12.70	CH33-42	G61MPV-36B-070	3132010
XC14-030-230 + TXV	28,000	14.20	12.00	CH33-42		3132093
XC14-030-230 + TXV	28,400	15.50	12.70	CH33-42	G61MPV-36B-071	3132011
XC14-030-230 + TXV	28,400	15.50	12.70	CH33-42	G71MPP-36B-070	3132012
XC14-030-230 + TXV	29,000	16.00	13.20	CH33-43	G71MPP-36C-090	3132014
XC14-030-230 + TXV	29,000	16.00	13.20	CH33-43	G61MPV-36C-090	3132013
XC14-030-230 + TXV	27,200	14.00	11.70	CR33-24	G61MPV-36B-045	3132017
XC14-030-230 + TXV	27,400	14.50	12.20	CR33-24	G61MPV-36B-070	3132018
XC14-030-230 + TXV	27,200	13.70	11.50	CR33-24		3132094
XC14-030-230 + TXV	27,400	14.50	12.20	CR33-24	G71MPP-36B-071	3132020
XC14-030-230 + TXV	27,600	15.00	12.50	CR33-24	G60DFV-36B-090	3132016
XC14-030-230 + TXV	27,600	14.50	12.00	CR33-24	G60DFV-36A-070	3132015
XC14-030-230 + TXV	27,400	14.50	12.20	CR33-24	G61MPV-36B-071	3132019
XC14-030-230 + TXV	27,800	14.00	11.70	CR33-30/36		3132096
XC14-030-230 + TXV	28,000	15.00	12.50	CR33-30/36	G60DFV-36A-070	3132021
XC14-030-230 + TXV	28,800	15.00	12.70	CR33-30/36	G71MPP-36C-090	3132095
XC14-030-230 + TXV	28,000	14.70	12.20	CR33-30/36	G61MPV-36B-045	3132023
XC14-030-230 + TXV	28,200	15.20	12.70	CR33-30/36	G71MPP-36B-070	3132027
XC14-030-230 + TXV	28,200	15.20	12.70	CR33-30/36	G61MPV-36B-070	3132024
XC14-030-230 + TXV	28,200	15.00	12.70	CR33-30/36	G61MPV-36C-090	3132026
XC14-030-230 + TXV	28,200	15.20	12.70	CR33-30/36	G61MPV-36B-071	3132025
XC14-030-230 + TXV	28,200	15.50	12.70	CR33-30/36	G60DFV-36B-090	3132022
XC14-030-230 + TXV	27,800	15.20	12.50	CX34-25	G60UHV-36A-070	3132028
XC14-030-230 + TXV	28,000	15.00	12.50	CX34-25	G61MPV-36B-071	3132032
XC14-030-230 + TXV	28,000	15.00	12.50	CX34-25	G61MPV-36B-070	3132031
XC14-030-230 + TXV	27,600	14.50	12.00	CX34-25	G61MPV-36B-045	3132030
XC14-030-230 + TXV	28,000	15.00	12.50	CX34-25	G71MPP-36B-070	3132033
XC14-030-230 + TXV	27,600	13.70	11.70	CX34-25		3132097
XC14-030-230 + TXV	28,000	15.50	12.70	CX34-25	G60UHV-36B-090	3132029
XC14-030-230 + TXV	26,800	13.50	11.20	CX34-30		3132098
XC14-030-230 + TXV	27,200	15.00	12.50	CX34-30	G60UHV-36B-090	3132035
XC14-030-230 + TXV	27,200	14.50	12.20	CX34-30	G61MPV-36B-070	3132037
XC14-030-230 + TXV	27,200	14.50	12.20	CX34-30	G61MPV-36B-071	3132038
XC14-030-230 + TXV	27,200	14.70	12.20	CX34-30	G60UHV-36A-070	3132034
XC14-030-230 + TXV	27,000	14.00	11.70	CX34-30	G61MPV-36B-045	3132036
XC14-030-230 + TXV	27,200	14.50	12.20	CX34-30	G71MPP-36B-070	3132039

NOTES:

+ TXV = Matched with Thermostatic Expansion Valve.

+ RFC = Matched with RFC metering device.

Ratings are certified in accordance with USE certification program which is based on AHRI Standard 210/240; 95°F outdoor air temperature, 80°F db / 67°F wb entering evaporator air with 25 ft. of connecting refrigerant lines.

All ratings include the use of a blower time delay relay (TDR). All Lennox variable-speed furnaces and Air Handlers have time delay capabilities. Other Furnaces and Air Handlers may require an optional time delay relay (58M81) for field installation. See furnace or air handler specifications to determine if relay is needed.

Also see TXV Substitution Table.

AHRI RATINGS

NOTE - For the latest up-to-date system matches please visit the AHRI web site at <http://www.ahridirectory.org>

Model No.	Cooling Btuh	SEER	EER	Indoor Coil or Air Handler	Furnace	AHRI Reference
XC14-030-230 + TXV	28,400	15.50	12.70	CX34-31	G61MPV-36B-071	3132044
XC14-030-230 + TXV	28,600	16.00	13.20	CX34-31	G60UHV-36B-090	3132041
XC14-030-230 + TXV	28,200	15.00	12.50	CX34-31	G61MPV-36B-045	3132042
XC14-030-230 + TXV	28,400	15.50	12.70	CX34-31	G71MPP-36B-070	3132045
XC14-030-230 + TXV	28,400	15.70	13.00	CX34-31	G60UHV-36A-070	3132040
XC14-030-230 + TXV	28,000	14.20	12.00	CX34-31		3132099
XC14-030-230 + TXV	28,400	15.50	12.70	CX34-31	G61MPV-36B-070	3132043
XC14-030-230 + TXV	27,800	15.20	12.70	CX34-36	G60UHV-36A-070	3132046
XC14-030-230 + TXV	27,800	15.20	12.70	CX34-36	G61MPV-36C-090	3132051
XC14-030-230 + TXV	27,800	15.20	12.50	CX34-36	G61MPV-36B-070	3132049
XC14-030-230 + TXV	27,400	13.70	11.70	CX34-36		3132100
XC14-030-230 + TXV	27,800	15.20	12.50	CX34-36	G71MPP-36B-070	3132052
XC14-030-230 + TXV	28,000	15.50	13.00	CX34-36	G60UHV-36B-090	3132047
XC14-030-230 + TXV	27,600	14.50	12.20	CX34-36	G61MPV-36B-045	3132048
XC14-030-230 + TXV	27,800	15.20	12.50	CX34-36	G61MPV-36B-071	3132050
XC14-030-230 + TXV	28,200	14.70	12.50	CX34-38	G61MPV-36B-045	3132055
XC14-030-230 + TXV	28,400	15.50	12.70	CX34-38	G61MPV-36B-071	3132057
XC14-030-230 + TXV	28,400	15.50	13.00	CX34-38	G60UHV-36A-070	3132053
XC14-030-230 + TXV	28,400	15.50	12.70	CX34-38	G61MPV-36B-070	3132056
XC14-030-230 + TXV	28,200	14.20	12.00	CX34-38		3132101
XC14-030-230 + TXV	28,400	15.70	13.20	CX34-38	G60UHV-36B-090	3132054
XC14-030-230 + TXV	28,400	15.50	12.70	CX34-38	G71MPP-36B-070	3132058
XC14-030-230 + TXV	27,800	15.20	12.50	CX34-42	G71MPP-36B-070	3132063
XC14-030-230 + TXV	27,600	14.50	12.20	CX34-42	G61MPV-36B-045	3132060
XC14-030-230 + TXV	27,800	15.20	12.50	CX34-42	G61MPV-36B-070	3132061
XC14-030-230 + TXV	27,400	13.70	11.70	CX34-42		3132102
XC14-030-230 + TXV	27,800	15.20	12.50	CX34-42	G61MPV-36B-071	3132062
XC14-030-230 + TXV	28,000	15.50	13.00	CX34-42	G60UHV-36B-090	3132059
XC14-030-230 + TXV	29,000	16.20	13.50	CX34-43	G60UHV-36B-090	3132064
XC14-030-230 + TXV	28,600	15.20	12.70	CX34-43	G61MPV-36B-045	3132065
XC14-030-230 + TXV	28,800	15.70	13.00	CX34-43	G61MPV-36B-070	3132066
XC14-030-230 + TXV	28,400	14.20	12.00	CX34-43		3132103
XC14-030-230 + TXV	28,800	15.50	13.00	CX34-43	G61MPV-36C-090	3132069
XC14-030-230 + TXV	28,800	15.70	13.00	CX34-43	G61MPV-36B-071	3132067
XC14-030-230 + TXV	28,800	15.70	13.00	CX34-43	G71MPP-36B-070	3132068
XC14-030-230 + TXV	28,800	15.50	13.00	CX34-43	G71MPP-36C-090	3132070
XC14-036-230 + RFC	33,400	14.20	12.20	C33-31	G71MPP-36B-070	3130957
XC14-036-230 + RFC	33,800	14.20	12.20	C33-31	G60UHV-36A-070	3130885
XC14-036-230 + RFC	33,400	14.20	12.20	C33-31	G61MPV-36B-045	3130887
XC14-036-230 + RFC	33,400	14.20	12.20	C33-31	G61MPV-36B-071	3130943
XC14-036-230 + RFC	33,400	14.20	12.20	C33-31	G61MPV-36B-070	3130888

NOTES:

+ TXV = Matched with Thermostatic Expansion Valve.

+ RFC = Matched with RFC metering device.

Ratings are certified in accordance with USE certification program which is based on AHRI Standard 210/240; 95°F outdoor air temperature, 80°F db / 67°F wb entering evaporator air with 25 ft. of connecting refrigerant lines.

All ratings include the use of a blower time delay relay (TDR). All Lennox variable-speed furnaces and Air Handlers have time delay capabilities. Other Furnaces and Air Handlers may require an optional time delay relay (58M81) for field installation. See furnace or air handler specifications to determine if relay is needed.

Also see TXV Substitution Table.

AHRI RATINGS

NOTE - For the latest up-to-date system matches please visit the AHRI web site at <http://www.ahridirectory.org>

Model No.	Cooling Btuh	SEER	EER	Indoor Coil or Air Handler	Furnace	AHRI Reference
XC14-036-230 + RFC	33,200	13.70	11.70	C33-31		3130860
XC14-036-230 + RFC	33,800	14.70	12.70	C33-31	G60UHV-36B-090	3130886
XC14-036-230 + RFC	32,600	14.20	12.00	C33-36	G71MPP-36B-070	3130955
XC14-036-230 + RFC	32,200	13.20	11.50	C33-36		3130861
XC14-036-230 + RFC	32,600	14.20	12.00	C33-36	G61MPV-36B-070	3130880
XC14-036-230 + RFC	32,600	14.20	12.00	C33-36	G61MPV-36B-071	3130941
XC14-036-230 + RFC	32,400	14.00	12.00	C33-36	G61MPV-36B-045	3130879
XC14-036-230 + RFC	33,000	14.70	12.50	C33-36	G60UHV-36B-090	3130878
XC14-036-230 + RFC	33,400	14.20	12.20	C33-38	G61MPV-36B-045	3130883
XC14-036-230 + RFC	33,400	14.20	12.20	C33-38	G61MPV-36B-070	3130884
XC14-036-230 + RFC	33,400	14.20	12.20	C33-38	G71MPP-36B-070	3130956
XC14-036-230 + RFC	33,400	14.20	12.20	C33-38	G61MPV-36B-071	3130942
XC14-036-230 + RFC	33,400	13.70	11.70	C33-38		3130859
XC14-036-230 + RFC	33,800	15.00	12.70	C33-38	G60UHV-36B-090	3130882
XC14-036-230 + RFC	33,600	14.20	12.20	C33-38	G60UHV-36A-070	3130881
XC14-036-230 + RFC	32,200	13.20	11.50	C33-42		3130862
XC14-036-230 + RFC	32,600	14.20	12.00	C33-42	G61MPV-36B-071	3130944
XC14-036-230 + RFC	32,600	14.20	12.00	C33-42	G61MPV-36B-070	3130891
XC14-036-230 + RFC	32,400	14.00	12.00	C33-42	G61MPV-36B-045	3130890
XC14-036-230 + RFC	33,000	14.70	12.50	C33-42	G60UHV-36B-090	3130889
XC14-036-230 + RFC	32,600	14.20	12.00	C33-42	G71MPP-36B-070	3130958
XC14-036-230 + RFC	34,400	15.20	13.00	C33-43	G61MPV-60C-090	3130896
XC14-036-230 + RFC	33,800	14.70	12.50	C33-43	G61MPV-36B-045	3130893
XC14-036-230 + RFC	33,800	14.70	12.50	C33-43	G71MPP-36B-070	3130959
XC14-036-230 + RFC	34,600	15.20	13.00	C33-43	G71MPP-60C-110	3130973
XC14-036-230 + RFC	34,600	15.50	13.20	C33-43	G60UHV-60C-110	3130895
XC14-036-230 + RFC	33,800	14.70	12.50	C33-43	G61MPV-36B-071	3130945
XC14-036-230 + RFC	33,800	14.70	12.50	C33-43	G61MPV-36B-070	3130894
XC14-036-230 + RFC	34,600	15.20	13.00	C33-43	G61MPV-60C-110	3130897
XC14-036-230 + RFC	34,200	15.20	13.00	C33-43	G60UHV-36B-090	3130892
XC14-036-230 + RFC	33,600	13.70	11.70	C33-43		3130863
XC14-036-230 + RFC	34,600	15.20	13.00	C33-43	G61MPV-60C-111	3130898
XC14-036-230 + RFC	33,400	14.50	12.20	C33-48	G71MPP-36B-070	3130960
XC14-036-230 + RFC	33,200	13.70	11.70	C33-48		3130865
XC14-036-230 + RFC	33,400	14.50	12.20	C33-48	G61MPV-36B-071	3130946
XC14-036-230 + RFC	33,400	14.50	12.20	C33-48	G61MPV-36B-045	3130900
XC14-036-230 + RFC	33,400	14.50	12.20	C33-48	G61MPV-36B-070	3130901
XC14-036-230 + RFC	33,800	15.00	12.70	C33-48	G60UHV-36B-090	3130899
XC14-036-230 + RFC	34,800	15.50	13.00	C33-49	G61MPV-60C-111	3130905
XC14-036-230 + RFC	33,800	14.00	12.00	C33-49		3130864
XC14-036-230 + RFC	34,600	15.20	13.00	C33-49	G61MPV-60C-090	3130903

NOTES:

+ TXV = Matched with Thermostatic Expansion Valve.

+ RFC = Matched with RFC metering device.

Ratings are certified in accordance with USE certification program which is based on AHRI Standard 210/240; 95°F outdoor air temperature, 80°F db / 67°F wb entering evaporator air with 25 ft. of connecting refrigerant lines.

All ratings include the use of a blower time delay relay (TDR). All Lennox variable-speed furnaces and Air Handlers have time delay capabilities. Other Furnaces and Air Handlers may require an optional time delay relay (58M81) for field installation. See furnace or air handler specifications to determine if relay is needed.

Also see TXV Substitution Table.

AHRI RATINGS

NOTE - For the latest up-to-date system matches please visit the AHRI web site at <http://www.ahridirectory.org>

Model No.	Cooling Btuh	SEER	EER	Indoor Coil or Air Handler	Furnace	AHRI Reference
XC14-036-230 + RFC	34,800	15.70	13.20	C33-49	G60UHV-60C-110	3130902
XC14-036-230 + RFC	34,800	15.50	13.00	C33-49	G61MPV-60C-110	3130904
XC14-036-230 + RFC	34,800	15.50	13.00	C33-49	G71MPP-60C-110	3130972
XC14-036-230 + RFC	34,400	15.20	13.00	C33-50/60C	G61MPV-60C-090	3130906
XC14-036-230 + RFC	34,400	15.20	13.00	C33-50/60C	G61MPV-60C-111	3130908
XC14-036-230 + RFC	34,400	15.20	13.00	C33-50/60C	G71MPP-60C-110	3130971
XC14-036-230 + RFC	33,600	13.70	11.70	C33-50/60C		3130866
XC14-036-230 + RFC	34,400	15.20	13.00	C33-50/60C	G61MPV-60C-110	3130907
XC14-036-230 + RFC	33,400	15.00	12.70	CH23-41	G60UHV-36B-090	3130931
XC14-036-230 + RFC	33,000	14.50	12.20	CH23-41	G71MPP-36B-070	3130967
XC14-036-230 + RFC	33,000	14.50	12.20	CH23-41	G61MPV-36B-045	3130932
XC14-036-230 + RFC	32,600	13.50	11.50	CH23-41		3130874
XC14-036-230 + RFC	33,000	14.50	12.20	CH23-41	G61MPV-36B-070	3130933
XC14-036-230 + RFC	33,000	14.50	12.20	CH23-41	G61MPV-36B-071	3130953
XC14-036-230 + RFC	33,400	15.20	12.70	CH23-51	G60UHV-36B-090	3130934
XC14-036-230 + RFC	33,200	14.50	12.50	CH23-51	G61MPV-36B-070	3130936
XC14-036-230 + RFC	33,200	14.50	12.50	CH23-51	G71MPP-36B-070	3130968
XC14-036-230 + RFC	32,600	13.50	11.50	CH23-51		3130875
XC14-036-230 + RFC	33,200	14.50	12.50	CH23-51	G61MPV-36B-071	3130954
XC14-036-230 + RFC	33,000	14.50	12.20	CH23-51	G61MPV-36B-045	3130935
XC14-036-230 + RFC	34,000	15.00	12.70	CH33-31	G60UHV-36B-090	3130915
XC14-036-230 + RFC	33,400	13.70	11.70	CH33-31		3130877
XC14-036-230 + RFC	33,600	14.20	12.20	CH33-31	G61MPV-36B-070	3130917
XC14-036-230 + RFC	33,600	14.20	12.20	CH33-31	G61MPV-36B-045	3130916
XC14-036-230 + RFC	33,600	14.20	12.20	CH33-31	G61MPV-36B-071	3130949
XC14-036-230 + RFC	33,600	14.20	12.20	CH33-31	G71MPP-36B-070	3130963
XC14-036-230 + RFC	32,600	14.00	12.00	CH33-36B	G61MPV-36B-045	3130919
XC14-036-230 + RFC	32,600	14.20	12.00	CH33-36B	G61MPV-36B-071	3130950
XC14-036-230 + RFC	32,400	13.20	11.50	CH33-36B		3130869
XC14-036-230 + RFC	32,600	14.20	12.00	CH33-36B	G61MPV-36B-070	3130920
XC14-036-230 + RFC	32,600	14.20	12.00	CH33-36B	G71MPP-36B-070	3130964
XC14-036-230 + RFC	33,000	14.70	12.50	CH33-36B	G60UHV-36B-090	3130918
XC14-036-230 + RFC	32,600	13.50	11.50	CH33-36C		3130870
XC14-036-230 + RFC	34,200	14.70	12.50	CH33-43B	G61MPV-36B-045	3130922
XC14-036-230 + RFC	34,400	14.70	12.50	CH33-43B	G71MPP-36B-070	3130965
XC14-036-230 + RFC	34,600	15.20	13.00	CH33-43B	G60UHV-36B-090	3130921
XC14-036-230 + RFC	34,000	14.20	12.00	CH33-43B		3130871
XC14-036-230 + RFC	34,400	14.70	12.50	CH33-43B	G61MPV-36B-070	3130923
XC14-036-230 + RFC	34,400	14.70	12.50	CH33-43B	G61MPV-36B-071	3130951
XC14-036-230 + RFC	34,600	15.20	13.00	CH33-43C	G61MPV-60C-110	3130926
XC14-036-230 + RFC	34,600	15.20	13.00	CH33-43C	G71MPP-60C-110	3130970

NOTES:

+ TXV = Matched with Thermostatic Expansion Valve.

+ RFC = Matched with RFC metering device.

Ratings are certified in accordance with USE certification program which is based on AHRI Standard 210/240; 95°F outdoor air temperature, 80°F db / 67°F wb entering evaporator air with 25 ft. of connecting refrigerant lines.

All ratings include the use of a blower time delay relay (TDR). All Lennox variable-speed furnaces and Air Handlers have time delay capabilities. Other Furnaces and Air Handlers may require an optional time delay relay (58M81) for field installation. See furnace or air handler specifications to determine if relay is needed.

Also see TXV Substitution Table.

AHRI RATINGS

NOTE - For the latest up-to-date system matches please visit the AHRI web site at <http://www.ahridirectory.org>

Model No.	Cooling Btuh	SEER	EER	Indoor Coil or Air Handler	Furnace	AHRI Reference
XC14-036-230 + RFC	34,600	15.50	13.20	CH33-43C	G60UHV-60C-110	3130924
XC14-036-230 + RFC	33,800	14.00	12.00	CH33-43C		3130872
XC14-036-230 + RFC	34,600	15.20	13.00	CH33-43C	G61MPV-60C-090	3130925
XC14-036-230 + RFC	34,600	15.20	13.00	CH33-43C	G61MPV-60C-111	3130927
XC14-036-230 + RFC	33,400	13.70	11.70	CH33-44/48		3130873
XC14-036-230 + RFC	33,600	14.20	12.20	CH33-44/48	G61MPV-36B-045	3130929
XC14-036-230 + RFC	33,600	14.50	12.20	CH33-44/48	G71MPP-36B-070	3130966
XC14-036-230 + RFC	34,000	15.00	12.70	CH33-44/48	G60UHV-36B-090	3130928
XC14-036-230 + RFC	33,600	14.50	12.20	CH33-44/48	G61MPV-36B-071	3130952
XC14-036-230 + RFC	33,600	14.50	12.20	CH33-44/48	G61MPV-36B-070	3130930
XC14-036-230 + RFC	34,400	15.20	13.00	CH33-48	G61MPV-60C-090	3130938
XC14-036-230 + RFC	33,600	13.70	11.70	CH33-48		3130876
XC14-036-230 + RFC	34,400	15.20	13.00	CH33-48	G61MPV-60C-110	3130939
XC14-036-230 + RFC	34,600	15.50	13.20	CH33-48	G60UHV-60C-110	3130937
XC14-036-230 + RFC	34,400	15.20	13.00	CH33-48	G71MPP-60C-110	3130969
XC14-036-230 + RFC	34,400	15.20	13.00	CH33-48	G61MPV-60C-111	3130940
XC14-036-230 + RFC	32,800	14.20	12.00	CR33-30/36	G61MPV-36B-070	3130911
XC14-036-230 + RFC	32,800	14.20	12.00	CR33-30/36	G61MPV-36B-071	3130947
XC14-036-230 + RFC	33,200	15.00	12.70	CR33-30/36	G60DFV-36B-090	3130909
XC14-036-230 + RFC	32,600	13.50	11.50	CR33-30/36		3130867
XC14-036-230 + RFC	32,800	14.00	12.00	CR33-30/36	G61MPV-36B-045	3130910
XC14-036-230 + RFC	32,800	14.20	12.00	CR33-30/36	G71MPP-36B-070	3130961
XC14-036-230 + RFC	33,000	13.20	11.70	CR33-48		3130868
XC14-036-230 + RFC	33,400	14.00	12.20	CR33-48	G61MPV-36B-045	3130913
XC14-036-230 + RFC	33,400	14.20	12.20	CR33-48	G61MPV-36B-071	3130948
XC14-036-230 + RFC	33,600	14.70	12.70	CR33-48	G60DFV-36B-090	3130912
XC14-036-230 + RFC	33,400	14.20	12.20	CR33-48	G61MPV-36B-070	3130914
XC14-036-230 + RFC	33,400	14.20	12.20	CR33-48	G71MPP-36B-070	3130962
XC14-036-230 + TXV	33,600	14.00	11.70	C33-31		3130598
XC14-036-230 + TXV	34,000	14.70	12.20	C33-31	G61MPV-36B-071	3130847
XC14-036-230 + TXV	34,000	14.70	12.20	C33-31	G61MPV-36B-070	3130837
XC14-036-230 + TXV	33,800	14.50	12.20	C33-31	G61MPV-36B-045	3130658
XC14-036-230 + TXV	34,000	14.70	12.20	C33-31	G60UHV-36A-070	3130656
XC14-036-230 + TXV	34,200	15.20	12.70	C33-31	G60UHV-36B-090	3130657
XC14-036-230 + TXV	34,000	14.70	12.20	C33-31	G71MPP-36B-070	3130783
XC14-036-230 + TXV	33,000	14.50	12.20	C33-36	G61MPV-36B-070	3130651
XC14-036-230 + TXV	33,200	14.50	12.00	C33-36	G61MPV-36C-090	3130755
XC14-036-230 + TXV	33,200	14.50	12.00	C33-36	G71MPP-36C-090	3130801
XC14-036-230 + TXV	32,800	13.70	11.50	C33-36		3130599
XC14-036-230 + TXV	33,000	14.50	12.20	C33-36	G71MPP-36B-070	3130781
XC14-036-230 + TXV	33,200	14.20	12.00	C33-36	G60UHV-36A-070	3130649

NOTES:

+ TXV = Matched with Thermostatic Expansion Valve.

+ RFC = Matched with RFC metering device.

Ratings are certified in accordance with USE certification program which is based on AHRI Standard 210/240; 95°F outdoor air temperature, 80°F db / 67°F wb entering evaporator air with 25 ft. of connecting refrigerant lines.

All ratings include the use of a blower time delay relay (TDR). All Lennox variable-speed furnaces and Air Handlers have time delay capabilities. Other Furnaces and Air Handlers may require an optional time delay relay (58M81) for field installation. See furnace or air handler specifications to determine if relay is needed.

Also see TXV Substitution Table.

AHRI RATINGS

NOTE - For the latest up-to-date system matches please visit the AHRI web site at <http://www.ahridirectory.org>

Model No.	Cooling Btuh	SEER	EER	Indoor Coil or Air Handler	Furnace	AHRI Reference
XC14-036-230 + TXV	33,000	14.50	12.20	C33-36	G61MPV-36B-071	3130740
XC14-036-230 + TXV	33,000	14.50	12.20	C33-36	G61MPV-36B-045	3130836
XC14-036-230 + TXV	33,400	15.00	12.50	C33-36	G60UHV-36B-090	3130650
XC14-036-230 + TXV	33,800	14.70	12.20	C33-38	G61MPV-36B-071	3130741
XC14-036-230 + TXV	33,400	14.00	12.00	C33-38		3130832
XC14-036-230 + TXV	34,200	15.20	12.70	C33-38	G60UHV-36B-090	3130653
XC14-036-230 + TXV	33,800	14.70	12.20	C33-38	G61MPV-36B-070	3130655
XC14-036-230 + TXV	33,800	14.70	12.20	C33-38	G71MPP-36B-070	3130782
XC14-036-230 + TXV	33,800	14.70	12.20	C33-38	G61MPV-36B-045	3130654
XC14-036-230 + TXV	33,800	14.50	12.20	C33-38	G60UHV-36A-070	3130652
XC14-036-230 + TXV	33,800	14.50	12.00	C33-38	CBWMV-36B-070	3130765
XC14-036-230 + TXV	33,000	14.50	12.20	C33-42	G71MPP-36B-070	3130784
XC14-036-230 + TXV	32,800	13.70	11.50	C33-42		3130600
XC14-036-230 + TXV	33,000	14.50	12.20	C33-42	G61MPV-36B-045	3130838
XC14-036-230 + TXV	33,400	15.00	12.50	C33-42	G60UHV-36B-090	3130659
XC14-036-230 + TXV	33,000	14.50	12.20	C33-42	G61MPV-36B-070	3130660
XC14-036-230 + TXV	33,000	14.50	12.20	C33-42	G61MPV-36B-071	3130742
XC14-036-230 + TXV	34,600	15.00	12.70	C33-43	G61MPV-36B-045	3130662
XC14-036-230 + TXV	34,600	15.00	12.70	C33-43	G61MPV-36B-070	3130663
XC14-036-230 + TXV	34,800	15.00	12.50	C33-43	CBWMV-36C-090	3130766
XC14-036-230 + TXV	35,200	15.70	13.00	C33-43	G71MPP-60C-110	3130812
XC14-036-230 + TXV	34,600	15.00	12.50	C33-43	O23V3/4-105/120	3130772
XC14-036-230 + TXV	35,400	15.70	13.20	C33-43	G60UHV-60C-110	3130664
XC14-036-230 + TXV	34,800	15.00	12.50	C33-43	G61MPV-36C-090	3130756
XC14-036-230 + TXV	35,200	15.50	13.00	C33-43	G61MPV-60C-090	3130665
XC14-036-230 + TXV	35,200	15.70	13.00	C33-43	G61MPV-60C-110	3130666
XC14-036-230 + TXV	35,000	15.00	12.70	C33-43	G61MPV-60C-091	3130759
XC14-036-230 + TXV	34,400	14.20	12.00	C33-43		3130601
XC14-036-230 + TXV	35,200	15.50	13.00	C33-43	G71MPP-60C-090	3130821
XC14-036-230 + TXV	35,000	15.70	13.20	C33-43	G60UHV-36B-090	3130661
XC14-036-230 + TXV	34,600	15.00	12.70	C33-43	G61MPV-36B-071	3130743
XC14-036-230 + TXV	35,200	15.50	13.00	C33-43	G61MPV-60C-111	3130667
XC14-036-230 + TXV	34,800	15.00	12.50	C33-43	G60UHV-36A-070	3130770
XC14-036-230 + TXV	34,600	15.00	12.70	C33-43	G71MPP-36B-070	3130785
XC14-036-230 + TXV	34,800	15.00	12.50	C33-43	G71MPP-36C-090	3130802
XC14-036-230 + TXV	34,600	15.20	12.50	C33-44C	G61MPV-60C-110	3130769
XC14-036-230 + TXV	34,600	15.20	12.50	C33-44C	G71MPP-60C-110	3130816
XC14-036-230 + TXV	34,400	15.50	13.00	C33-48	G60UHV-36B-090	3130668
XC14-036-230 + TXV	34,000	14.70	12.50	C33-48	G61MPV-36B-045	3130669
XC14-036-230 + TXV	34,600	15.50	12.70	C33-48	G61MPV-60C-110	3130673
XC14-036-230 + TXV	34,600	15.20	12.70	C33-48	G61MPV-60C-111	3130674

NOTES:

+ TXV = Matched with Thermostatic Expansion Valve.

+ RFC = Matched with RFC metering device.

Ratings are certified in accordance with USE certification program which is based on AHRI Standard 210/240; 95°F outdoor air temperature, 80°F db / 67°F wb entering evaporator air with 25 ft. of connecting refrigerant lines.

All ratings include the use of a blower time delay relay (TDR). All Lennox variable-speed furnaces and Air Handlers have time delay capabilities. Other Furnaces and Air Handlers may require an optional time delay relay (58M81) for field installation. See furnace or air handler specifications to determine if relay is needed.

Also see TXV Substitution Table.

AHRI RATINGS

NOTE - For the latest up-to-date system matches please visit the AHRI web site at <http://www.ahridirectory.org>

Model No.	Cooling Btuh	SEER	EER	Indoor Coil or Air Handler	Furnace	AHRI Reference
XC14-036-230 + TXV	34,600	15.20	12.70	C33-48	G71MPP-60C-090	3130822
XC14-036-230 + TXV	34,000	14.70	12.50	C33-48	G61MPV-36B-070	3130670
XC14-036-230 + TXV	34,800	15.50	13.00	C33-48	G60UHV-60C-110	3130671
XC14-036-230 + TXV	34,600	15.20	12.70	C33-48	G61MPV-60C-090	3130672
XC14-036-230 + TXV	34,000	14.70	12.50	C33-48	G71MPP-36B-070	3130786
XC14-036-230 + TXV	34,600	15.50	12.70	C33-48	G71MPP-60C-110	3130813
XC14-036-230 + TXV	34,000	14.70	12.50	C33-48	G61MPV-36B-071	3130744
XC14-036-230 + TXV	33,800	14.00	11.70	C33-48		3130603
XC14-036-230 + TXV	35,400	15.70	13.20	C33-49	G61MPV-60C-090	3130676
XC14-036-230 + TXV	34,600	14.20	12.00	C33-49		3130602
XC14-036-230 + TXV	35,600	15.70	13.20	C33-49	G61MPV-60C-110	3130677
XC14-036-230 + TXV	35,600	15.70	13.20	C33-49	G61MPV-60C-111	3130678
XC14-036-230 + TXV	34,600	15.00	12.50	C33-49	G61MPV-36C-090	3130762
XC14-036-230 + TXV	34,600	15.00	12.50	C33-49	G71MPP-36C-090	3130797
XC14-036-230 + TXV	35,400	15.70	13.20	C33-49	G71MPP-60C-090	3130823
XC14-036-230 + TXV	35,600	16.00	13.20	C33-49	G60UHV-60C-110	3130675
XC14-036-230 + TXV	35,600	15.70	13.20	C33-49	G71MPP-60C-110	3130814
XC14-036-230 + TXV	35,000	15.50	13.00	C33-50/60C	G61MPV-60C-110	3130681
XC14-036-230 + TXV	35,000	15.50	13.00	C33-50/60C	G61MPV-60C-111	3130682
XC14-036-230 + TXV	35,200	15.70	13.20	C33-50/60C	G60UHV-60C-110	3130679
XC14-036-230 + TXV	35,000	15.50	13.00	C33-50/60C	G61MPV-60C-090	3130680
XC14-036-230 + TXV	35,000	15.50	13.00	C33-50/60C	G71MPP-60C-110	3130815
XC14-036-230 + TXV	35,000	15.50	13.00	C33-50/60C	G71MPP-60C-090	3130824
XC14-036-230 + TXV	34,000	14.20	11.70	C33-50/60C		3130604
XC14-036-230 + TXV	34,400	14.50	12.00	C33-60D		3387495
XC14-036-230 + TXV	33,400	14.20	12.00	CB26UH-036		3130713
XC14-036-230 + TXV	33,200	13.70	11.70	CB26UH-042		3130725
XC14-036-230 + TXV	34,200	15.70	13.00	CB27UH-036-230		3130845
XC14-036-230 + TXV	33,000	14.20	12.00	CB30M-31P		3130715
XC14-036-230 + TXV	33,600	14.20	12.00	CB30M-41P		3130708
XC14-036-230 + TXV	33,600	14.20	12.00	CB30M-46P		3130711
XC14-036-230 + TXV	34,400	14.70	12.20	CB30M-51P		3130709
XC14-036-230 + TXV	33,400	14.20	12.00	CBX26UH-036		3130722
XC14-036-230 + TXV	33,200	13.70	11.70	CBX26UH-042		3130717
XC14-036-230 + TXV	34,200	15.70	13.00	CBX27UH-036-230		3130844
XC14-036-230 + TXV	33,000	14.20	12.00	CBX32M-030		3130724
XC14-036-230 + TXV	33,600	14.20	12.00	CBX32M-036		3130718
XC14-036-230 + TXV	33,600	14.20	12.00	CBX32M-042		3130721
XC14-036-230 + TXV	34,400	14.70	12.20	CBX32M-048		3130719
XC14-036-230 + TXV	34,000	14.70	12.50	CBX32MV-036		3130720
XC14-036-230 + TXV	35,000	15.70	13.20	CBX32MV-048		3130723

NOTES:

+ TXV = Matched with Thermostatic Expansion Valve.

+ RFC = Matched with RFC metering device.

Ratings are certified in accordance with USE certification program which is based on AHRI Standard 210/240; 95°F outdoor air temperature, 80°F db / 67°F wb entering evaporator air with 25 ft. of connecting refrigerant lines.

All ratings include the use of a blower time delay relay (TDR). All Lennox variable-speed furnaces and Air Handlers have time delay capabilities. Other Furnaces and Air Handlers may require an optional time delay relay (58M81) for field installation. See furnace or air handler specifications to determine if relay is needed.

Also see TXV Substitution Table.

AHRI RATINGS

NOTE - For the latest up-to-date system matches please visit the AHRI web site at <http://www.ahridirectory.org>

Model No.	Cooling Btuh	SEER	EER	Indoor Coil or Air Handler	Furnace	AHRI Reference
XC14-036-230 + TXV	34,000	14.70	12.50	CBX40UHV-036		3291677
XC14-036-230 + TXV	35,000	15.70	13.20	CBX40UHV-048		3291787
XC14-036-230 + TXV	33,400	14.70	12.20	CH23-41	G61MPV-36B-071	3130751
XC14-036-230 + TXV	33,800	15.50	12.70	CH23-41	G60UHV-36B-090	3130702
XC14-036-230 + TXV	33,600	14.50	12.00	CH23-41	G60UHV-36A-070	3130831
XC14-036-230 + TXV	33,200	13.70	11.70	CH23-41		3130613
XC14-036-230 + TXV	33,400	14.70	12.20	CH23-41	G71MPP-36B-070	3130793
XC14-036-230 + TXV	33,400	14.70	12.20	CH23-41	G61MPV-36B-045	3130703
XC14-036-230 + TXV	33,400	14.70	12.20	CH23-41	G61MPV-36B-070	3130704
XC14-036-230 + TXV	33,600	14.70	12.50	CH23-51	G61MPV-36B-070	3130707
XC14-036-230 + TXV	33,600	14.70	12.50	CH23-51	G61MPV-36B-071	3130752
XC14-036-230 + TXV	33,600	14.70	12.50	CH23-51	G61MPV-36B-045	3130706
XC14-036-230 + TXV	34,000	15.50	13.00	CH23-51	G60UHV-36B-090	3130705
XC14-036-230 + TXV	33,600	14.70	12.50	CH23-51	G71MPP-36B-070	3130794
XC14-036-230 + TXV	33,200	13.70	11.70	CH23-51		3130614
XC14-036-230 + TXV	34,200	15.00	12.50	CH33-31	CBWMV-36B-070	3130829
XC14-036-230 + TXV	34,200	14.70	12.20	CH33-31	G61MPV-36B-071	3130747
XC14-036-230 + TXV	34,200	14.70	12.20	CH33-31	G71MPP-36B-070	3130789
XC14-036-230 + TXV	34,200	14.70	12.20	CH33-31	G61MPV-36B-045	3130690
XC14-036-230 + TXV	34,200	14.70	12.20	CH33-31	G61MPV-36B-070	3130691
XC14-036-230 + TXV	34,000	14.00	12.00	CH33-31		3130607
XC14-036-230 + TXV	34,600	15.20	12.70	CH33-31	G60UHV-36B-090	3130689
XC14-036-230 + TXV	34,400	15.00	12.50	CH33-31A	G60UHV-36A-070	3291532
XC14-036-230 + TXV	33,000	14.20	12.00	CH33-36A	G60UHV-36A-070	3130830
XC14-036-230 + TXV	33,400	15.00	12.50	CH33-36B	G60UHV-36B-090	3130692
XC14-036-230 + TXV	33,000	14.50	12.20	CH33-36B	G61MPV-36B-071	3130748
XC14-036-230 + TXV	33,000	14.50	12.20	CH33-36B	G61MPV-36B-045	3130839
XC14-036-230 + TXV	32,800	13.70	11.50	CH33-36B		3130608
XC14-036-230 + TXV	33,000	14.50	12.20	CH33-36B	G61MPV-36B-070	3130693
XC14-036-230 + TXV	33,000	14.50	12.20	CH33-36B	G71MPP-36B-070	3130790
XC14-036-230 + TXV	34,000	15.20	12.70	CH33-36C	G71MPP-60C-090	3130826
XC14-036-230 + TXV	34,200	15.20	12.70	CH33-36C	G61MPV-60C-110	3130733
XC14-036-230 + TXV	34,200	15.20	12.70	CH33-36C	G71MPP-60C-110	3130807
XC14-036-230 + TXV	34,000	15.20	12.70	CH33-36C	G61MPV-60C-090	3130694
XC14-036-230 + TXV	34,200	15.20	12.70	CH33-36C	G60UHV-60C-110	3130732
XC14-036-230 + TXV	33,200	13.70	11.70	CH33-36C		3130609
XC14-036-230 + TXV	34,200	15.20	12.70	CH33-36C	G61MPV-60C-111	3130734
XC14-036-230 + TXV	35,000	15.00	12.70	CH33-43B	G61MPV-36B-071	3130749
XC14-036-230 + TXV	35,400	15.70	13.00	CH33-43B	G60UHV-36B-090	3130840
XC14-036-230 + TXV	35,000	15.00	12.70	CH33-43B	G61MPV-36B-045	3130695
XC14-036-230 + TXV	35,000	14.50	12.20	CH33-43B		3130610

NOTES:

+ TXV = Matched with Thermostatic Expansion Valve.

+ RFC = Matched with RFC metering device.

Ratings are certified in accordance with USE certification program which is based on AHRI Standard 210/240; 95°F outdoor air temperature, 80°F db / 67°F wb entering evaporator air with 25 ft. of connecting refrigerant lines.

All ratings include the use of a blower time delay relay (TDR). All Lennox variable-speed furnaces and Air Handlers have time delay capabilities. Other Furnaces and Air Handlers may require an optional time delay relay (58M81) for field installation. See furnace or air handler specifications to determine if relay is needed.

Also see TXV Substitution Table.

AHRI RATINGS

NOTE - For the latest up-to-date system matches please visit the AHRI web site at <http://www.ahridirectory.org>

Model No.	Cooling Btuh	SEER	EER	Indoor Coil or Air Handler	Furnace	AHRI Reference
XC14-036-230 + TXV	35,000	15.00	12.70	CH33-43B	G61MPV-36B-070	3130696
XC14-036-230 + TXV	35,000	15.00	12.70	CH33-43B	G71MPP-36B-070	3130791
XC14-036-230 + TXV	35,400	15.70	13.20	CH33-43C	G60UHV-60C-110	3130697
XC14-036-230 + TXV	35,200	15.70	13.00	CH33-43C	G61MPV-60C-111	3130842
XC14-036-230 + TXV	34,400	14.20	12.00	CH33-43C		3130611
XC14-036-230 + TXV	34,800	15.00	12.50	CH33-43C	G61MPV-36C-090	3130757
XC14-036-230 + TXV	34,800	15.00	12.50	CH33-43C	G71MPP-36C-090	3130803
XC14-036-230 + TXV	35,200	15.70	13.00	CH33-43C	G71MPP-60C-090	3130827
XC14-036-230 + TXV	35,200	15.70	13.00	CH33-43C	G61MPV-60C-090	3130841
XC14-036-230 + TXV	35,200	15.70	13.00	CH33-43C	G61MPV-60C-110	3130698
XC14-036-230 + TXV	35,200	15.70	13.00	CH33-43C	G71MPP-60C-110	3130804
XC14-036-230 + TXV	34,600	15.20	12.70	CH33-44/48	G60UHV-36B-090	3130699
XC14-036-230 + TXV	34,200	14.70	12.20	CH33-44/48	G61MPV-36B-045	3130700
XC14-036-230 + TXV	34,400	14.70	12.50	CH33-44/48	G61MPV-36B-070	3130701
XC14-036-230 + TXV	34,400	14.70	12.50	CH33-44/48	G61MPV-36B-071	3130750
XC14-036-230 + TXV	34,400	14.70	12.50	CH33-44/48	G71MPP-36B-070	3130792
XC14-036-230 + TXV	34,000	14.20	11.70	CH33-44/48		3130612
XC14-036-230 + TXV	35,400	15.50	12.50	CH33-50/60C	G61MPV-60C-090	3130774
XC14-036-230 + TXV	33,200	13.70	11.70	CR33-30/36		3130605
XC14-036-230 + TXV	33,800	15.20	12.70	CR33-30/36	G60DFV-36B-090	3130683
XC14-036-230 + TXV	33,600	14.50	12.00	CR33-30/36	G61MPV-60C-091	3130764
XC14-036-230 + TXV	33,400	14.20	12.00	CR33-30/36	G61MPV-36B-045	3130684
XC14-036-230 + TXV	33,400	14.50	12.20	CR33-30/36	G71MPP-36B-070	3130787
XC14-036-230 + TXV	34,000	15.00	12.50	CR33-30/36	G61MPV-60C-110	3130726
XC14-036-230 + TXV	34,000	15.00	12.50	CR33-30/36	G61MPV-60C-111	3130727
XC14-036-230 + TXV	33,600	15.00	12.50	CR33-30/36	G61MPV-36C-090	3130760
XC14-036-230 + TXV	33,600	15.00	12.50	CR33-30/36	G71MPP-36C-090	3130795
XC14-036-230 + TXV	34,000	15.00	12.50	CR33-30/36	G71MPP-60C-110	3130805
XC14-036-230 + TXV	34,000	15.00	12.50	CR33-30/36	G71MPP-60C-090	3130825
XC14-036-230 + TXV	33,400	14.50	12.20	CR33-30/36	G61MPV-36B-070	3130685
XC14-036-230 + TXV	34,000	15.00	12.50	CR33-30/36	G61MPV-60C-090	3130686
XC14-036-230 + TXV	33,400	14.50	12.20	CR33-30/36	G61MPV-36B-071	3130745
XC14-036-230 + TXV	33,200	14.50	12.20	CR33-48	G71MPP-36B-070	3130788
XC14-036-230 + TXV	33,400	15.00	12.50	CR33-48	G71MPP-36C-090	3130796
XC14-036-230 + TXV	33,800	15.00	12.50	CR33-48	G61MPV-60C-111	3130731
XC14-036-230 + TXV	33,800	15.00	12.70	CR33-48	G61MPV-60C-110	3130730
XC14-036-230 + TXV	33,800	15.00	12.70	CR33-48	G71MPP-60C-110	3130806
XC14-036-230 + TXV	33,600	15.00	12.50	CR33-48	G71MPP-60C-090	3130828
XC14-036-230 + TXV	32,800	13.70	11.50	CR33-48		3130606
XC14-036-230 + TXV	33,200	14.50	12.20	CR33-48	G61MPV-36B-045	3130687
XC14-036-230 + TXV	33,200	14.50	12.20	CR33-48	G61MPV-36B-070	3130688

NOTES:

+ TXV = Matched with Thermostatic Expansion Valve.

+ RFC = Matched with RFC metering device.

Ratings are certified in accordance with USE certification program which is based on AHRI Standard 210/240; 95°F outdoor air temperature, 80°F db / 67°F wb entering evaporator air with 25 ft. of connecting refrigerant lines.

All ratings include the use of a blower time delay relay (TDR). All Lennox variable-speed furnaces and Air Handlers have time delay capabilities. Other Furnaces and Air Handlers may require an optional time delay relay (58M81) for field installation. See furnace or air handler specifications to determine if relay is needed.

Also see TXV Substitution Table.

AHRI RATINGS

NOTE - For the latest up-to-date system matches please visit the AHRI web site at <http://www.ahridirectory.org>

Model No.	Cooling Btuh	SEER	EER	Indoor Coil or Air Handler	Furnace	AHRI Reference
XC14-036-230 + TXV	33,600	15.00	12.50	CR33-48	G61MPV-60C-090	3130729
XC14-036-230 + TXV	33,400	15.20	12.70	CR33-48	G60DFV-36B-090	3130728
XC14-036-230 + TXV	33,400	15.00	12.50	CR33-48	G61MPV-36C-090	3130761
XC14-036-230 + TXV	33,200	14.50	12.20	CR33-48	G61MPV-36B-071	3130746
XC14-036-230 + TXV	34,200	15.20	12.70	CX34-31	G60UHV-36B-090	3130623
XC14-036-230 + TXV	34,000	14.70	12.20	CX34-31	G60UHV-36A-070	3130622
XC14-036-230 + TXV	33,600	14.00	11.70	CX34-31		3130591
XC14-036-230 + TXV	34,000	14.70	12.20	CX34-31	G71MPP-36B-070	3130777
XC14-036-230 + TXV	34,000	14.70	12.20	CX34-31	G61MPV-36B-070	3130834
XC14-036-230 + TXV	33,800	14.50	12.20	CX34-31	G61MPV-36B-045	3130624
XC14-036-230 + TXV	34,000	14.70	12.20	CX34-31	G61MPV-36B-071	3130846
XC14-036-230 + TXV	33,000	14.50	12.20	CX34-36	G61MPV-36B-070	3130617
XC14-036-230 + TXV	33,000	14.50	12.20	CX34-36	G61MPV-36B-071	3130735
XC14-036-230 + TXV	33,200	14.50	12.00	CX34-36	G61MPV-36C-090	3130753
XC14-036-230 + TXV	33,200	14.50	12.00	CX34-36	G71MPP-36C-090	3130799
XC14-036-230 + TXV	32,800	13.70	11.50	CX34-36		3130592
XC14-036-230 + TXV	33,000	14.50	12.20	CX34-36	G61MPV-36B-045	3130833
XC14-036-230 + TXV	33,200	14.20	12.00	CX34-36	G60UHV-36A-070	3130615
XC14-036-230 + TXV	33,400	15.00	12.50	CX34-36	G60UHV-36B-090	3130616
XC14-036-230 + TXV	33,000	14.50	12.20	CX34-36	G71MPP-36B-070	3130775
XC14-036-230 + TXV	33,800	14.50	12.00	CX34-38	CBWMV-36B-070	3130767
XC14-036-230 + TXV	33,400	14.00	12.00	CX34-38		3130590
XC14-036-230 + TXV	34,200	15.20	12.70	CX34-38	G60UHV-36B-090	3130619
XC14-036-230 + TXV	33,800	14.50	12.20	CX34-38	G60UHV-36A-070	3130618
XC14-036-230 + TXV	33,800	14.70	12.20	CX34-38	G71MPP-36B-070	3130776
XC14-036-230 + TXV	33,800	14.70	12.20	CX34-38	G61MPV-36B-045	3130620
XC14-036-230 + TXV	33,800	14.70	12.20	CX34-38	G61MPV-36B-070	3130621
XC14-036-230 + TXV	33,800	14.70	12.20	CX34-38	G61MPV-36B-071	3130736
XC14-036-230 + TXV	33,000	14.50	12.20	CX34-42	G61MPV-36B-070	3130626
XC14-036-230 + TXV	33,000	14.50	12.20	CX34-42	G61MPV-36B-045	3130835
XC14-036-230 + TXV	33,000	14.50	12.20	CX34-42	G71MPP-36B-070	3130778
XC14-036-230 + TXV	33,000	14.50	12.20	CX34-42	G61MPV-36B-071	3130737
XC14-036-230 + TXV	32,800	13.70	11.50	CX34-42		3130593
XC14-036-230 + TXV	33,400	15.00	12.50	CX34-42	G60UHV-36B-090	3130625
XC14-036-230 + TXV	35,200	15.50	13.00	CX34-43	G61MPV-60C-111	3130633
XC14-036-230 + TXV	34,600	15.00	12.70	CX34-43	G61MPV-36B-071	3130738
XC14-036-230 + TXV	34,600	15.00	12.50	CX34-43	O23V3/4-105/120	3130773
XC14-036-230 + TXV	34,400	14.20	12.00	CX34-43		3130594
XC14-036-230 + TXV	35,000	15.00	12.70	CX34-43	G61MPV-60C-091	3130758
XC14-036-230 + TXV	34,600	15.00	12.70	CX34-43	G61MPV-36B-045	3130628
XC14-036-230 + TXV	34,600	15.00	12.70	CX34-43	G61MPV-36B-070	3130629

NOTES:

+ TXV = Matched with Thermostatic Expansion Valve.

+ RFC = Matched with RFC metering device.

Ratings are certified in accordance with USE certification program which is based on AHRI Standard 210/240; 95°F outdoor air temperature, 80°F db / 67°F wb entering evaporator air with 25 ft. of connecting refrigerant lines.

All ratings include the use of a blower time delay relay (TDR). All Lennox variable-speed furnaces and Air Handlers have time delay capabilities. Other Furnaces and Air Handlers may require an optional time delay relay (58M81) for field installation. See furnace or air handler specifications to determine if relay is needed.

Also see TXV Substitution Table.

AHRI RATINGS

NOTE - For the latest up-to-date system matches please visit the AHRI web site at <http://www.ahridirectory.org>

Model No.	Cooling Btuh	SEER	EER	Indoor Coil or Air Handler	Furnace	AHRI Reference
XC14-036-230 + TXV	34,800	15.00	12.50	CX34-43	G60UHV-36A-070	3130771
XC14-036-230 + TXV	35,200	15.50	13.00	CX34-43	G61MPV-60C-090	3130631
XC14-036-230 + TXV	34,800	15.00	12.50	CX34-43	G61MPV-36C-090	3130754
XC14-036-230 + TXV	34,800	15.00	12.50	CX34-43	G71MPP-36C-090	3130800
XC14-036-230 + TXV	34,800	15.00	12.50	CX34-43	CBWMV-36C-090	3130768
XC14-036-230 + TXV	35,200	15.70	13.00	CX34-43	G61MPV-60C-110	3130632
XC14-036-230 + TXV	35,200	15.70	13.00	CX34-43	G71MPP-60C-110	3130808
XC14-036-230 + TXV	35,200	15.50	13.00	CX34-43	G71MPP-60C-090	3130817
XC14-036-230 + TXV	35,000	15.70	13.20	CX34-43	G60UHV-36B-090	3130627
XC14-036-230 + TXV	35,400	15.70	13.20	CX34-43	G60UHV-60C-110	3130630
XC14-036-230 + TXV	34,600	15.00	12.70	CX34-43	G71MPP-36B-070	3130779
XC14-036-230 + TXV	34,000	14.70	12.50	CX34-44/48	G61MPV-36B-045	3130635
XC14-036-230 + TXV	34,000	14.70	12.50	CX34-44/48	G61MPV-36B-070	3130636
XC14-036-230 + TXV	34,000	14.70	12.50	CX34-44/48	G71MPP-36B-070	3130780
XC14-036-230 + TXV	34,600	15.20	12.70	CX34-44/48	G61MPV-60C-090	3130638
XC14-036-230 + TXV	34,600	15.50	12.70	CX34-44/48	G61MPV-60C-110	3130639
XC14-036-230 + TXV	34,000	14.70	12.50	CX34-44/48	G61MPV-36B-071	3130739
XC14-036-230 + TXV	33,800	14.00	11.70	CX34-44/48		3130596
XC14-036-230 + TXV	34,600	15.20	12.70	CX34-44/48	G61MPV-60C-111	3130640
XC14-036-230 + TXV	34,600	15.50	12.70	CX34-44/48	G71MPP-60C-110	3130809
XC14-036-230 + TXV	34,400	15.50	13.00	CX34-44/48	G60UHV-36B-090	3130634
XC14-036-230 + TXV	34,800	15.50	13.00	CX34-44/48	G60UHV-60C-110	3130637
XC14-036-230 + TXV	34,600	15.20	12.70	CX34-44/48	G71MPP-60C-090	3130818
XC14-036-230 + TXV	35,600	15.70	13.20	CX34-49	G61MPV-60C-110	3130643
XC14-036-230 + TXV	35,600	15.70	13.20	CX34-49	G71MPP-60C-110	3130810
XC14-036-230 + TXV	35,600	16.00	13.20	CX34-49	G60UHV-60C-110	3130641
XC14-036-230 + TXV	34,600	15.00	12.50	CX34-49	G61MPV-36C-090	3130763
XC14-036-230 + TXV	35,400	15.70	13.20	CX34-49	G71MPP-60C-090	3130819
XC14-036-230 + TXV	34,600	14.20	12.00	CX34-49		3130595
XC14-036-230 + TXV	35,600	15.70	13.20	CX34-49	G61MPV-60C-111	3130644
XC14-036-230 + TXV	35,400	15.70	13.20	CX34-49	G61MPV-60C-090	3130642
XC14-036-230 + TXV	34,600	15.00	12.50	CX34-49	G71MPP-36C-090	3130798
XC14-036-230 + TXV	35,200	15.70	13.20	CX34-50/60C	G60UHV-60C-110	3130645
XC14-036-230 + TXV	35,000	15.50	13.00	CX34-50/60C	G61MPV-60C-110	3130647
XC14-036-230 + TXV	34,000	14.20	11.70	CX34-50/60C		3130597
XC14-036-230 + TXV	35,000	15.50	13.00	CX34-50/60C	G71MPP-60C-110	3130811
XC14-036-230 + TXV	35,000	15.50	13.00	CX34-50/60C	G71MPP-60C-090	3130820
XC14-036-230 + TXV	35,000	15.50	13.00	CX34-50/60C	G61MPV-60C-090	3130646
XC14-036-230 + TXV	35,000	15.50	13.00	CX34-50/60C	G61MPV-60C-111	3130648
XC14-036-230 + TXV	34,400	14.50	12.00	CX34-60D		3387496
XC14-042-230 + RFC	39,000	13.70	11.70	C33-36	G61MPV-60C-090	1236951

NOTES:

+ TXV = Matched with Thermostatic Expansion Valve.

+ RFC = Matched with RFC metering device.

Ratings are certified in accordance with USE certification program which is based on AHRI Standard 210/240; 95°F outdoor air temperature, 80°F db / 67°F wb entering evaporator air with 25 ft. of connecting refrigerant lines.

All ratings include the use of a blower time delay relay (TDR). All Lennox variable-speed furnaces and Air Handlers have time delay capabilities. Other Furnaces and Air Handlers may require an optional time delay relay (58M81) for field installation. See furnace or air handler specifications to determine if relay is needed.

Also see TXV Substitution Table.

AHRI RATINGS

NOTE - For the latest up-to-date system matches please visit the AHRI web site at <http://www.ahridirectory.org>

Model No.	Cooling Btuh	SEER	EER	Indoor Coil or Air Handler	Furnace	AHRI Reference
XC14-042-230 + RFC	39,000	14.20	12.00	C33-36	G60UHV-60C-090	1236949
XC14-042-230 + RFC	39,500	13.70	11.70	C33-36	G61MPV-60C-091	1236953
XC14-042-230 + RFC	39,500	13.70	12.00	C33-36	G61MPV-60C-111	1236954
XC14-042-230 + RFC	39,500	13.70	12.00	C33-36	G71MPP-60C-110	1488624
XC14-042-230 + RFC	39,500	13.70	12.00	C33-36	G61MPV-60C-110	1236952
XC14-042-230 + RFC	39,000	13.00	11.20	C33-36		1236943
XC14-042-230 + RFC	39,500	14.00	12.00	C33-36	G60UHV-60C-110	1236950
XC14-042-230 + RFC	40,000	14.20	12.20	C33-38	G60UHV-36B-090	1236955
XC14-042-230 + RFC	40,000	13.70	12.00	C33-38	G61MPV-36B-070	1236956
XC14-042-230 + RFC	40,000	13.70	12.00	C33-38	G71MPP-36B-070	1488072
XC14-042-230 + RFC	40,000	13.20	11.50	C33-38		1236944
XC14-042-230 + RFC	40,000	13.70	12.00	C33-38	G61MPV-36B-071	1248170
XC14-042-230 + RFC	40,000	13.20	11.50	C33-38B		3293422
XC14-042-230 + RFC	38,500	13.20	11.50	C33-42	G61MPV-36B-071	1248171
XC14-042-230 + RFC	38,500	13.20	11.50	C33-42	G61MPV-36B-070	1236958
XC14-042-230 + RFC	38,500	13.20	11.50	C33-42	G71MPP-36B-070	1488073
XC14-042-230 + RFC	39,000	13.00	11.20	C33-42		1236945
XC14-042-230 + RFC	38,500	14.00	11.70	C33-42	G60UHV-36B-090	1236957
XC14-042-230 + RFC	41,500	14.70	12.70	C33-43	G61MPV-60C-111	1236966
XC14-042-230 + RFC	40,500	14.00	12.00	C33-43	G61MPV-36B-070	1236960
XC14-042-230 + RFC	41,500	14.50	12.50	C33-43	G61MPV-60C-091	1236965
XC14-042-230 + RFC	40,500	13.70	11.70	C33-43		1236946
XC14-042-230 + RFC	40,500	14.00	12.00	C33-43	G61MPV-36B-071	1248172
XC14-042-230 + RFC	41,500	14.70	12.70	C33-43	G60UHV-60C-110	1236962
XC14-042-230 + RFC	40,500	14.00	12.00	C33-43	G71MPP-36B-070	1488074
XC14-042-230 + RFC	41,500	14.70	12.70	C33-43	G71MPP-60C-110	1488622
XC14-042-230 + RFC	40,500	14.50	12.50	C33-43	G60UHV-36B-090	1236959
XC14-042-230 + RFC	41,000	15.00	12.70	C33-43	G60UHV-60C-090	1236961
XC14-042-230 + RFC	41,500	14.70	12.70	C33-43	G61MPV-60C-110	1236964
XC14-042-230 + RFC	41,000	14.70	12.50	C33-43	G61MPV-60C-090	1236963
XC14-042-230 + RFC	40,500	14.50	12.20	C33-48	G60UHV-60C-110	1236968
XC14-042-230 + RFC	40,500	14.20	12.20	C33-48	G61MPV-60C-090	1236969
XC14-042-230 + RFC	40,500	14.20	12.20	C33-48	G61MPV-60C-111	1236972
XC14-042-230 + RFC	40,500	14.00	12.00	C33-48	G61MPV-60C-091	1236971
XC14-042-230 + RFC	40,500	14.20	12.20	C33-48	G71MPP-60C-110	1488620
XC14-042-230 + RFC	40,000	13.20	11.50	C33-48		1236947
XC14-042-230 + RFC	40,500	14.50	12.50	C33-48	G60UHV-60C-090	1236967
XC14-042-230 + RFC	40,500	14.20	12.20	C33-48	G61MPV-60C-110	1236970
XC14-042-230 + RFC	40,500	15.00	12.50	C33-49	G61MPV-60C-090	1236975
XC14-042-230 + RFC	40,500	15.20	12.50	C33-49	G61MPV-60C-111	1236978
XC14-042-230 + RFC	41,000	13.70	11.70	C33-49		1236942

NOTES:

+ TXV = Matched with Thermostatic Expansion Valve.

+ RFC = Matched with RFC metering device.

Ratings are certified in accordance with USE certification program which is based on AHRI Standard 210/240; 95°F outdoor air temperature, 80°F db / 67°F wb entering evaporator air with 25 ft. of connecting refrigerant lines.

All ratings include the use of a blower time delay relay (TDR). All Lennox variable-speed furnaces and Air Handlers have time delay capabilities. Other Furnaces and Air Handlers may require an optional time delay relay (58M81) for field installation. See furnace or air handler specifications to determine if relay is needed.

Also see TXV Substitution Table.

AHRI RATINGS

NOTE - For the latest up-to-date system matches please visit the AHRI web site at <http://www.ahridirectory.org>

Model No.	Cooling Btuh	SEER	EER	Indoor Coil or Air Handler	Furnace	AHRI Reference
XC14-042-230 + RFC	40,500	15.20	12.50	C33-49	G60UHV-60C-110	1236974
XC14-042-230 + RFC	40,500	15.20	12.50	C33-49	G61MPV-60C-110	1236976
XC14-042-230 + RFC	40,500	15.20	12.50	C33-49	G71MPP-60C-110	1488621
XC14-042-230 + RFC	40,500	15.50	12.70	C33-49	G60UHV-60C-090	1236973
XC14-042-230 + RFC	40,500	14.70	12.20	C33-49	G61MPV-60C-091	1236977
XC14-042-230 + RFC	40,500	13.50	11.70	C33-50/60C		1236948
XC14-042-230 + RFC	41,000	14.50	12.50	C33-50/60C	G60UHV-60C-110	1236980
XC14-042-230 + RFC	41,000	14.50	12.20	C33-50/60C	G61MPV-60C-090	1236981
XC14-042-230 + RFC	41,000	14.50	12.50	C33-50/60C	G61MPV-60C-110	1236982
XC14-042-230 + RFC	41,000	14.50	12.20	C33-50/60C	G61MPV-60C-111	1236984
XC14-042-230 + RFC	41,000	14.50	12.50	C33-50/60C	G71MPP-60C-110	1488618
XC14-042-230 + RFC	41,000	14.70	12.70	C33-50/60C	G60UHV-60C-090	1236979
XC14-042-230 + RFC	41,000	14.20	12.20	C33-50/60C	G61MPV-60C-091	1236983
XC14-042-230 + RFC	41,000	15.50	12.70	C33-62C	G60UHV-60C-110	1237026
XC14-042-230 + RFC	41,000	15.70	12.70	C33-62C	G60UHV-60C-090	1237025
XC14-042-230 + RFC	41,500	14.00	12.00	C33-62C		1237024
XC14-042-230 + RFC	41,000	15.40	12.70	C33-62C	G71MPP-60C-110	1488613
XC14-042-230 + RFC	41,000	15.40	12.70	C33-62C	G61MPV-60C-110	1237028
XC14-042-230 + RFC	41,000	15.00	12.20	C33-62C	G61MPV-60C-091	1237029
XC14-042-230 + RFC	41,000	15.20	12.70	C33-62C	G61MPV-60C-090	1237027
XC14-042-230 + RFC	41,000	15.20	12.70	C33-62C	G61MPV-60C-111	1237030
XC14-042-230 + RFC	41,500	14.70	12.70	CH33-43	G60UHV-60C-110	1237000
XC14-042-230 + RFC	41,000	13.70	11.70	CH33-43		1236995
XC14-042-230 + RFC	41,500	15.00	12.70	CH33-43	G60UHV-60C-090	1236999
XC14-042-230 + RFC	41,500	14.50	12.50	CH33-43	G61MPV-60C-091	1237003
XC14-042-230 + RFC	41,500	14.70	12.70	CH33-43	G61MPV-60C-090	1237001
XC14-042-230 + RFC	41,500	14.70	12.70	CH33-43	G60UHV-36B-090	1236998
XC14-042-230 + RFC	41,500	14.70	12.70	CH33-43	G61MPV-60C-111	1237004
XC14-042-230 + RFC	41,500	14.70	12.70	CH33-43	G71MPP-60C-110	1488617
XC14-042-230 + RFC	41,500	14.70	12.70	CH33-43	G61MPV-60C-110	1237002
XC14-042-230 + RFC	41,000	14.50	12.50	CH33-48	G60UHV-60C-110	1237006
XC14-042-230 + RFC	41,000	14.70	12.70	CH33-48	G60UHV-60C-090	1237005
XC14-042-230 + RFC	41,000	14.50	12.50	CH33-48	G71MPP-60C-110	1488616
XC14-042-230 + RFC	41,000	14.20	12.20	CH33-48	G61MPV-60C-091	1237009
XC14-042-230 + RFC	41,000	14.50	12.20	CH33-48	G61MPV-60C-111	1237010
XC14-042-230 + RFC	40,500	13.50	11.70	CH33-48		1237023
XC14-042-230 + RFC	41,000	14.50	12.20	CH33-48	G61MPV-60C-090	1237007
XC14-042-230 + RFC	41,000	14.50	12.50	CH33-48	G61MPV-60C-110	1237008
XC14-042-230 + RFC	42,000	14.50	12.50	CH33-49	G61MPV-60C-091	1237015
XC14-042-230 + RFC	41,500	14.70	12.50	CH33-49	G61MPV-60C-090	1237013
XC14-042-230 + RFC	41,500	14.70	12.50	CH33-49	G61MPV-60C-111	1237016

NOTES:

+ TXV = Matched with Thermostatic Expansion Valve.

+ RFC = Matched with RFC metering device.

Ratings are certified in accordance with USE certification program which is based on AHRI Standard 210/240; 95°F outdoor air temperature, 80°F db / 67°F wb entering evaporator air with 25 ft. of connecting refrigerant lines.

All ratings include the use of a blower time delay relay (TDR). All Lennox variable-speed furnaces and Air Handlers have time delay capabilities. Other Furnaces and Air Handlers may require an optional time delay relay (58M81) for field installation. See furnace or air handler specifications to determine if relay is needed.

Also see TXV Substitution Table.

AHRI RATINGS

NOTE - For the latest up-to-date system matches please visit the AHRI web site at <http://www.ahridirectory.org>

Model No.	Cooling Btuh	SEER	EER	Indoor Coil or Air Handler	Furnace	AHRI Reference
XC14-042-230 + RFC	41,500	15.00	12.70	CH33-49	G60UHV-60C-090	1237011
XC14-042-230 + RFC	41,500	14.70	12.50	CH33-49	G60UHV-60C-110	1237012
XC14-042-230 + RFC	41,500	14.70	12.50	CH33-49	G61MPV-60C-110	1237014
XC14-042-230 + RFC	41,500	14.70	12.50	CH33-49	G71MPP-60C-110	1488615
XC14-042-230 + RFC	41,500	13.70	12.00	CH33-49		1236996
XC14-042-230 + RFC	41,500	14.70	12.50	CH33-50/60C	G60UHV-60C-110	1237018
XC14-042-230 + RFC	41,000	13.70	11.70	CH33-50/60C		1236997
XC14-042-230 + RFC	41,500	15.00	12.70	CH33-50/60C	G60UHV-60C-090	1237017
XC14-042-230 + RFC	41,500	14.50	12.20	CH33-50/60C	G61MPV-60C-091	1237021
XC14-042-230 + RFC	41,500	14.70	12.50	CH33-50/60C	G71MPP-60C-110	1488614
XC14-042-230 + RFC	41,500	14.70	12.50	CH33-50/60C	G61MPV-60C-090	1237019
XC14-042-230 + RFC	41,500	14.70	12.50	CH33-50/60C	G61MPV-60C-110	1237020
XC14-042-230 + RFC	41,500	14.70	12.20	CH33-50/60C	G61MPV-60C-111	1237022
XC14-042-230 + RFC	41,500	14.50	12.70	CR33-50/60	G61MPV-60C-110	1236990
XC14-042-230 + RFC	41,500	14.70	12.70	CR33-50/60	G60DFV-60C-110	1236988
XC14-042-230 + RFC	41,500	14.50	12.70	CR33-50/60	G61MPV-60C-111	1236992
XC14-042-230 + RFC	41,500	14.70	12.70	CR33-50/60	G60DFV-60C-090	1236987
XC14-042-230 + RFC	41,500	14.50	12.70	CR33-50/60	G61MPV-60C-090	1236989
XC14-042-230 + RFC	41,500	14.20	12.50	CR33-50/60	G61MPV-60C-091	1236991
XC14-042-230 + RFC	41,000	13.50	11.70	CR33-50/60		1236985
XC14-042-230 + RFC	41,500	14.50	12.70	CR33-50/60	G71MPP-60C-110	1488619
XC14-042-230 + RFC	41,500	14.70	12.70	CR33-60	G61MPV-60D-135	1236994
XC14-042-230 + RFC	41,000	13.50	11.70	CR33-60		1236986
XC14-042-230 + RFC	41,500	14.70	12.70	CR33-60	G60DFV-60D-135	1236993
XC14-042-230 + RFC	41,500	14.70	12.70	CR33-60	G71MPP-60D-135	1489341
XC14-042-230 + TXV	39,000	13.00	11.20	C33-36		1235329
XC14-042-230 + TXV	39,500	14.00	12.00	C33-36	G61MPV-60C-090	1235344
XC14-042-230 + TXV	39,500	14.00	12.00	C33-36	G61MPV-60C-111	1235347
XC14-042-230 + TXV	39,500	14.20	12.20	C33-36	G60UHV-60C-090	1235342
XC14-042-230 + TXV	39,500	14.20	12.00	C33-36	G60UHV-60C-110	1235343
XC14-042-230 + TXV	39,500	14.00	12.00	C33-36	G71MPP-60C-090	3008984
XC14-042-230 + TXV	39,500	14.00	12.00	C33-36	G61MPV-60C-110	1235345
XC14-042-230 + TXV	39,500	13.70	11.70	C33-36	G61MPV-60C-091	1235346
XC14-042-230 + TXV	39,500	14.00	12.00	C33-36	G71MPP-60C-110	1488565
XC14-042-230 + TXV	39,500	13.70	11.70	C33-38	G61MPV-36B-070	1235349
XC14-042-230 + TXV	40,000	13.50	11.50	C33-38		1235330
XC14-042-230 + TXV	39,500	13.70	11.70	C33-38	G61MPV-36B-071	1248129
XC14-042-230 + TXV	40,000	14.50	12.20	C33-38	G60UHV-36B-090	1235348
XC14-042-230 + TXV	39,500	13.70	11.70	C33-38	G71MPP-36B-070	1488031
XC14-042-230 + TXV	40,000	13.50	11.50	C33-38B		3293436
XC14-042-230 + TXV	39,000	13.00	11.20	C33-42		1235331

NOTES:

+ TXV = Matched with Thermostatic Expansion Valve.

+ RFC = Matched with RFC metering device.

Ratings are certified in accordance with USE certification program which is based on AHRI Standard 210/240; 95°F outdoor air temperature, 80°F db / 67°F wb entering evaporator air with 25 ft. of connecting refrigerant lines.

All ratings include the use of a blower time delay relay (TDR). All Lennox variable-speed furnaces and Air Handlers have time delay capabilities. Other Furnaces and Air Handlers may require an optional time delay relay (58M81) for field installation. See furnace or air handler specifications to determine if relay is needed.

Also see TXV Substitution Table.

AHRI RATINGS

NOTE - For the latest up-to-date system matches please visit the AHRI web site at <http://www.ahridirectory.org>

Model No.	Cooling Btuh	SEER	EER	Indoor Coil or Air Handler	Furnace	AHRI Reference
XC14-042-230 + TXV	39,000	14.00	12.00	C33-42	G60UHV-36B-090	1235350
XC14-042-230 + TXV	38,500	13.50	11.50	C33-42	G61MPV-36B-071	1248130
XC14-042-230 + TXV	38,500	13.50	11.50	C33-42	G71MPP-36B-070	1488032
XC14-042-230 + TXV	38,500	13.50	11.50	C33-42	G61MPV-36B-070	1235351
XC14-042-230 + TXV	41,500	14.70	12.70	C33-43	G61MPV-60C-090	1235356
XC14-042-230 + TXV	41,500	14.70	12.70	C33-43	G61MPV-60C-111	1235359
XC14-042-230 + TXV	40,500	14.20	12.00	C33-43	G61MPV-36B-071	1248131
XC14-042-230 + TXV	41,500	14.50	12.50	C33-43	G61MPV-60C-091	1235358
XC14-042-230 + TXV	41,000	13.70	11.70	C33-43		1235332
XC14-042-230 + TXV	40,500	14.70	12.50	C33-43	G60UHV-36B-090	1235352
XC14-042-230 + TXV	41,500	15.00	12.70	C33-43	G61MPV-60C-110	1235357
XC14-042-230 + TXV	40,500	14.20	12.00	C33-43	G61MPV-36B-070	1235353
XC14-042-230 + TXV	41,500	15.00	12.70	C33-43	G60UHV-60C-110	1235355
XC14-042-230 + TXV	40,500	14.20	12.00	C33-43	G71MPP-36B-070	1488033
XC14-042-230 + TXV	41,500	15.00	12.70	C33-43	G71MPP-60C-110	1488566
XC14-042-230 + TXV	41,500	15.20	13.00	C33-43	G60UHV-60C-090	1235354
XC14-042-230 + TXV	41,500	14.70	12.70	C33-43	G71MPP-60C-090	3008987
XC14-042-230 + TXV	40,500	14.70	12.50	C33-48	G60UHV-60C-090	1235360
XC14-042-230 + TXV	40,500	14.50	12.20	C33-48	G61MPV-60C-090	1235362
XC14-042-230 + TXV	40,500	14.50	12.20	C33-48	G61MPV-60C-110	1235363
XC14-042-230 + TXV	40,500	14.50	12.20	C33-48	G61MPV-60C-111	1235365
XC14-042-230 + TXV	40,500	14.50	12.20	C33-48	G71MPP-60C-090	3008988
XC14-042-230 + TXV	40,500	14.50	12.20	C33-48	G60UHV-60C-110	1235361
XC14-042-230 + TXV	40,000	13.70	11.70	C33-48	G60UHV-36A-070	1347280
XC14-042-230 + TXV	40,500	14.50	12.20	C33-48	G71MPP-60C-110	1488567
XC14-042-230 + TXV	40,000	13.50	11.50	C33-48		1235333
XC14-042-230 + TXV	41,000	14.20	12.20	C33-48	G61MPV-60C-091	1235364
XC14-042-230 + TXV	41,000	15.00	12.50	C33-49	G61MPV-60C-091	1235370
XC14-042-230 + TXV	41,000	15.20	12.70	C33-49	G61MPV-60C-110	1235369
XC14-042-230 + TXV	41,500	14.00	12.00	C33-49		1235328
XC14-042-230 + TXV	41,000	15.50	13.00	C33-49	G60UHV-60C-090	1235366
XC14-042-230 + TXV	41,000	15.20	12.70	C33-49	G61MPV-60C-090	1235368
XC14-042-230 + TXV	41,000	15.20	12.70	C33-49	G61MPV-60C-111	1235371
XC14-042-230 + TXV	41,000	15.20	12.70	C33-49	G71MPP-60C-090	3008989
XC14-042-230 + TXV	41,000	15.50	12.70	C33-49	G60UHV-60C-110	1235367
XC14-042-230 + TXV	41,000	15.20	12.70	C33-49	G71MPP-60C-110	1488559
XC14-042-230 + TXV	41,000	15.00	12.70	C33-50/60C	G60UHV-60C-090	1235372
XC14-042-230 + TXV	41,500	14.20	12.20	C33-50/60C	G61MPV-60C-091	1235376
XC14-042-230 + TXV	41,000	14.50	12.20	C33-50/60C	G61MPV-60C-111	1235377
XC14-042-230 + TXV	40,500	13.70	11.70	C33-50/60C		1235334
XC14-042-230 + TXV	41,000	14.70	12.50	C33-50/60C	G61MPV-60C-110	1235375

NOTES:

+ TXV = Matched with Thermostatic Expansion Valve.

+ RFC = Matched with RFC metering device.

Ratings are certified in accordance with USE certification program which is based on AHRI Standard 210/240; 95°F outdoor air temperature, 80°F db / 67°F wb entering evaporator air with 25 ft. of connecting refrigerant lines.

All ratings include the use of a blower time delay relay (TDR). All Lennox variable-speed furnaces and Air Handlers have time delay capabilities. Other Furnaces and Air Handlers may require an optional time delay relay (58M81) for field installation. See furnace or air handler specifications to determine if relay is needed.

Also see TXV Substitution Table.

AHRI RATINGS

NOTE - For the latest up-to-date system matches please visit the AHRI web site at <http://www.ahridirectory.org>

Model No.	Cooling Btuh	SEER	EER	Indoor Coil or Air Handler	Furnace	AHRI Reference
XC14-042-230 + TXV	41,000	14.50	12.50	C33-50/60C	G61MPV-60C-090	1235374
XC14-042-230 + TXV	41,000	14.70	12.50	C33-50/60C	G71MPP-60C-110	1488560
XC14-042-230 + TXV	41,000	14.70	12.50	C33-50/60C	G60UHV-60C-110	1235373
XC14-042-230 + TXV	41,000	14.50	12.50	C33-50/60C	G71MPP-60C-090	3008990
XC14-042-230 + TXV	42,000	15.00	13.00	C33-60D	G60UHV-60D-135	3080635
XC14-042-230 + TXV	41,500	13.70	11.70	C33-60D		3406194
XC14-042-230 + TXV	41,500	15.50	12.70	C33-62C	G61MPV-60C-090	1235338
XC14-042-230 + TXV	41,500	15.70	12.70	C33-62C	G60UHV-60C-110	1235337
XC14-042-230 + TXV	41,500	15.50	12.50	C33-62C	G61MPV-60C-111	1235341
XC14-042-230 + TXV	41,500	15.20	12.50	C33-62C	G61MPV-60C-091	1235340
XC14-042-230 + TXV	42,000	14.20	12.00	C33-62C		1235335
XC14-042-230 + TXV	41,500	15.70	13.00	C33-62C	G60UHV-60C-090	1235336
XC14-042-230 + TXV	41,500	15.50	12.70	C33-62C	G71MPP-60C-090	3008978
XC14-042-230 + TXV	41,500	15.50	12.70	C33-62C	G61MPV-60C-110	1235339
XC14-042-230 + TXV	41,500	15.50	12.70	C33-62C	G71MPP-60C-110	1488564
XC14-042-230 + TXV	41,500	14.00	12.00	C33-62D		1348531
XC14-042-230 + TXV	42,500	15.00	13.00	C33-62D	G60UHV-60D-135	1402807
XC14-042-230 + TXV	40,000	13.70	12.70	CB26UH-042		1235420
XC14-042-230 + TXV	41,500	15.20	12.70	CB27UH-042-230		1235429
XC14-042-230 + TXV	41,500	15.00	12.70	CB27UH-048-230		1235430
XC14-042-230 + TXV	40,000	13.70	11.70	CB30M-41P		1235416
XC14-042-230 + TXV	40,000	14.00	12.00	CB30M-46P		1235419
XC14-042-230 + TXV	41,000	14.00	12.00	CB30M-51P		1235421
XC14-042-230 + TXV	40,000	13.70	11.70	CBX26UH-042		1235427
XC14-042-230 + TXV	41,500	15.20	12.70	CBX27UH-042-230		1235422
XC14-042-230 + TXV	41,500	15.00	12.70	CBX27UH-048-230		1235423
XC14-042-230 + TXV	40,000	13.70	11.70	CBX32M-036		1235424
XC14-042-230 + TXV	40,000	14.00	12.00	CBX32M-042		1235426
XC14-042-230 + TXV	41,000	14.00	12.00	CBX32M-048		1235428
XC14-042-230 + TXV	41,500	14.70	12.50	CBX32MV-048		1235425
XC14-042-230 + TXV	41,500	15.20	12.70	CBX40UHV-042		3291706
XC14-042-230 + TXV	41,500	14.70	12.50	CBX40UHV-048		3291788
XC14-042-230 + TXV	39,500	13.00	11.20	CH23-41		3080548
XC14-042-230 + TXV	41,500	14.70	12.70	CH33-43	G61MPV-60C-111	1235397
XC14-042-230 + TXV	41,500	14.70	12.70	CH33-43	G61MPV-60C-090	1235394
XC14-042-230 + TXV	41,500	15.00	12.70	CH33-43	G61MPV-60C-110	1235395
XC14-042-230 + TXV	41,500	14.70	12.50	CH33-43	G61MPV-60C-091	1235396
XC14-042-230 + TXV	41,000	13.70	11.70	CH33-43		1235387
XC14-042-230 + TXV	41,500	15.20	13.00	CH33-43	G60UHV-60C-090	1235392
XC14-042-230 + TXV	41,500	15.00	12.70	CH33-43	G71MPP-60C-110	1488562
XC14-042-230 + TXV	41,500	14.70	12.70	CH33-43	G71MPP-60C-090	3008992

NOTES:

+ TXV = Matched with Thermostatic Expansion Valve.

+ RFC = Matched with RFC metering device.

Ratings are certified in accordance with USE certification program which is based on AHRI Standard 210/240; 95°F outdoor air temperature, 80°F db / 67°F wb entering evaporator air with 25 ft. of connecting refrigerant lines.

All ratings include the use of a blower time delay relay (TDR). All Lennox variable-speed furnaces and Air Handlers have time delay capabilities. Other Furnaces and Air Handlers may require an optional time delay relay (58M81) for field installation. See furnace or air handler specifications to determine if relay is needed.

Also see TXV Substitution Table.

AHRI RATINGS

NOTE - For the latest up-to-date system matches please visit the AHRI web site at <http://www.ahridirectory.org>

Model No.	Cooling Btuh	SEER	EER	Indoor Coil or Air Handler	Furnace	AHRI Reference
XC14-042-230 + TXV	41,500	15.00	12.70	CH33-43	G60UHV-36B-090	1235391
XC14-042-230 + TXV	41,500	15.00	12.70	CH33-43	G60UHV-60C-110	1235393
XC14-042-230 + TXV	41,500	14.70	12.50	CH33-48	G61MPV-60C-111	1235403
XC14-042-230 + TXV	41,500	14.70	12.70	CH33-48	G60UHV-60C-110	1235399
XC14-042-230 + TXV	41,500	14.70	12.50	CH33-48	G61MPV-60C-110	1235401
XC14-042-230 + TXV	41,000	14.70	12.50	CH33-48	G71MPP-60C-090	3008993
XC14-042-230 + TXV	41,500	14.70	12.50	CH33-48	G71MPP-60C-110	1488569
XC14-042-230 + TXV	41,000	13.70	11.70	CH33-48		1235388
XC14-042-230 + TXV	41,000	15.00	12.70	CH33-48	G60UHV-60C-090	1235398
XC14-042-230 + TXV	41,000	14.70	12.50	CH33-48	G61MPV-60C-090	1235400
XC14-042-230 + TXV	41,500	14.20	12.20	CH33-48	G61MPV-60C-091	1235402
XC14-042-230 + TXV	42,000	15.00	12.70	CH33-49	G60UHV-60C-110	1235405
XC14-042-230 + TXV	41,500	14.00	12.00	CH33-49		1235389
XC14-042-230 + TXV	42,000	14.70	12.70	CH33-49	G61MPV-60C-090	1235406
XC14-042-230 + TXV	42,000	15.20	13.00	CH33-49	G60UHV-60C-090	1235404
XC14-042-230 + TXV	42,000	15.00	12.70	CH33-49	G71MPP-60C-110	1488568
XC14-042-230 + TXV	42,000	14.70	12.50	CH33-49	G61MPV-60C-091	1235408
XC14-042-230 + TXV	42,000	14.70	12.70	CH33-49	G61MPV-60C-111	1235409
XC14-042-230 + TXV	42,000	14.70	12.70	CH33-49	G71MPP-60C-090	3008998
XC14-042-230 + TXV	42,000	15.00	12.70	CH33-49	G61MPV-60C-110	1235407
XC14-042-230 + TXV	42,000	14.50	12.50	CH33-50/60C	G61MPV-60C-091	1235414
XC14-042-230 + TXV	41,500	14.70	12.50	CH33-50/60C	G61MPV-60C-090	1235412
XC14-042-230 + TXV	41,500	14.70	12.50	CH33-50/60C	G61MPV-60C-111	1235415
XC14-042-230 + TXV	41,500	14.00	12.00	CH33-50/60C		1235390
XC14-042-230 + TXV	41,500	15.20	12.70	CH33-50/60C	G60UHV-60C-090	1235410
XC14-042-230 + TXV	42,000	14.70	12.70	CH33-50/60C	G61MPV-60C-110	1235413
XC14-042-230 + TXV	42,000	14.70	12.70	CH33-50/60C	G71MPP-60C-110	1488556
XC14-042-230 + TXV	42,000	15.00	12.70	CH33-50/60C	G60UHV-60C-110	1235411
XC14-042-230 + TXV	41,500	14.70	12.50	CH33-50/60C	G71MPP-60C-090	3009000
XC14-042-230 + TXV	40,500	13.70	11.70	CR33-50/60		1235378
XC14-042-230 + TXV	41,000	15.00	12.70	CR33-50/60	G60DFV-60C-090	1235380
XC14-042-230 + TXV	41,000	14.70	12.50	CR33-50/60	G61MPV-60C-090	1235381
XC14-042-230 + TXV	41,000	14.50	12.20	CR33-50/60	G61MPV-60C-091	1235383
XC14-042-230 + TXV	41,000	14.70	12.50	CR33-50/60	G61MPV-60C-111	1235384
XC14-042-230 + TXV	41,000	14.70	12.50	CR33-50/60	G71MPP-60C-110	1488561
XC14-042-230 + TXV	41,000	14.70	12.50	CR33-50/60	G71MPP-60C-090	3008991
XC14-042-230 + TXV	41,500	15.00	12.70	CR33-50/60	G60DFV-60C-110	1235431
XC14-042-230 + TXV	41,000	14.70	12.50	CR33-50/60	G61MPV-60C-110	1235382
XC14-042-230 + TXV	41,000	15.00	12.70	CR33-60	G61MPV-60D-135	1235386
XC14-042-230 + TXV	41,500	15.00	12.70	CR33-60	G60DFV-60D-135	1235385
XC14-042-230 + TXV	41,000	15.00	12.70	CR33-60	G71MPP-60D-135	1489326

NOTES:

+ TXV = Matched with Thermostatic Expansion Valve.

+ RFC = Matched with RFC metering device.

Ratings are certified in accordance with USE certification program which is based on AHRI Standard 210/240; 95°F outdoor air temperature, 80°F db / 67°F wb entering evaporator air with 25 ft. of connecting refrigerant lines.

All ratings include the use of a blower time delay relay (TDR). All Lennox variable-speed furnaces and Air Handlers have time delay capabilities. Other Furnaces and Air Handlers may require an optional time delay relay (58M81) for field installation. See furnace or air handler specifications to determine if relay is needed.

Also see TXV Substitution Table.

AHRI RATINGS

NOTE - For the latest up-to-date system matches please visit the AHRI web site at <http://www.ahridirectory.org>

Model No.	Cooling Btuh	SEER	EER	Indoor Coil or Air Handler	Furnace	AHRI Reference
XC14-042-230 + TXV	40,500	13.70	11.70	CR33-60		1235379
XC14-042-230 + TXV	39,000	13.00	11.20	CX34-36		1235279
XC14-042-230 + TXV	39,500	14.00	12.00	CX34-36	G61MPV-60C-090	1235294
XC14-042-230 + TXV	39,500	14.00	12.00	CX34-36	G61MPV-60C-111	1235297
XC14-042-230 + TXV	39,500	14.00	12.00	CX34-36	G61MPV-60C-110	1235295
XC14-042-230 + TXV	39,500	14.20	12.20	CX34-36	G60UHV-60C-090	1235292
XC14-042-230 + TXV	39,500	14.20	12.00	CX34-36	G60UHV-60C-110	1235293
XC14-042-230 + TXV	39,500	13.70	11.70	CX34-36	G61MPV-60C-091	1235296
XC14-042-230 + TXV	39,500	14.00	12.00	CX34-36	G71MPP-60C-090	3008965
XC14-042-230 + TXV	39,500	14.00	12.00	CX34-36	G71MPP-60C-110	1488574
XC14-042-230 + TXV	39,500	13.70	11.70	CX34-38	G61MPV-36B-070	1235299
XC14-042-230 + TXV	39,500	13.70	11.70	CX34-38	G61MPV-36B-071	1248126
XC14-042-230 + TXV	40,000	13.50	11.50	CX34-38		1235280
XC14-042-230 + TXV	40,000	14.50	12.20	CX34-38	G60UHV-36B-090	1235298
XC14-042-230 + TXV	39,500	13.70	11.70	CX34-38	G71MPP-36B-070	1488028
XC14-042-230 + TXV	40,000	13.50	11.50	CX34-38B		3293421
XC14-042-230 + TXV	39,000	13.00	11.20	CX34-42		1235281
XC14-042-230 + TXV	38,500	13.50	11.50	CX34-42	G61MPV-36B-070	1235301
XC14-042-230 + TXV	38,500	13.50	11.50	CX34-42	G71MPP-36B-070	1488029
XC14-042-230 + TXV	39,000	14.00	12.00	CX34-42	G60UHV-36B-090	1235300
XC14-042-230 + TXV	38,500	13.50	11.50	CX34-42	G61MPV-36B-071	1248127
XC14-042-230 + TXV	41,500	14.70	12.70	CX34-43	G61MPV-60C-090	1235306
XC14-042-230 + TXV	41,000	13.70	11.70	CX34-43		1235282
XC14-042-230 + TXV	41,500	15.20	13.00	CX34-43	G60UHV-60C-090	1235304
XC14-042-230 + TXV	40,500	14.20	12.00	CX34-43	G61MPV-36B-070	1235303
XC14-042-230 + TXV	41,500	14.50	12.50	CX34-43	G61MPV-60C-091	1235308
XC14-042-230 + TXV	41,500	14.70	12.70	CX34-43	G61MPV-60C-111	1235309
XC14-042-230 + TXV	40,500	14.70	12.50	CX34-43	G60UHV-36B-090	1235302
XC14-042-230 + TXV	41,500	15.00	12.70	CX34-43	G71MPP-60C-110	1488575
XC14-042-230 + TXV	41,500	14.70	12.70	CX34-43	G71MPP-60C-090	3008967
XC14-042-230 + TXV	40,500	14.20	12.00	CX34-43	G71MPP-36B-070	1488030
XC14-042-230 + TXV	41,500	15.00	12.70	CX34-43	G60UHV-60C-110	1235305
XC14-042-230 + TXV	41,500	15.00	12.70	CX34-43	G61MPV-60C-110	1235307
XC14-042-230 + TXV	40,500	14.20	12.00	CX34-43	G61MPV-36B-071	1248128
XC14-042-230 + TXV	40,000	13.50	11.50	CX34-44/48		1235283
XC14-042-230 + TXV	40,500	14.50	12.20	CX34-44/48	G61MPV-60C-090	1235312
XC14-042-230 + TXV	41,000	14.20	12.20	CX34-44/48	G61MPV-60C-091	1235314
XC14-042-230 + TXV	40,500	14.70	12.50	CX34-44/48	G60UHV-60C-090	1235310
XC14-042-230 + TXV	40,500	14.50	12.20	CX34-44/48	G61MPV-60C-110	1235313
XC14-042-230 + TXV	40,500	14.50	12.20	CX34-44/48	G61MPV-60C-111	1235315
XC14-042-230 + TXV	40,000	13.70	11.70	CX34-44/48	G60UHV-36A-070	1347281

NOTES:

+ TXV = Matched with Thermostatic Expansion Valve.

+ RFC = Matched with RFC metering device.

Ratings are certified in accordance with USE certification program which is based on AHRI Standard 210/240; 95°F outdoor air temperature, 80°F db / 67°F wb entering evaporator air with 25 ft. of connecting refrigerant lines.

All ratings include the use of a blower time delay relay (TDR). All Lennox variable-speed furnaces and Air Handlers have time delay capabilities. Other Furnaces and Air Handlers may require an optional time delay relay (58M81) for field installation. See furnace or air handler specifications to determine if relay is needed.

Also see TXV Substitution Table.

AHRI RATINGS

NOTE - For the latest up-to-date system matches please visit the AHRI web site at <http://www.ahridirectory.org>

Model No.	Cooling Btuh	SEER	EER	Indoor Coil or Air Handler	Furnace	AHRI Reference
XC14-042-230 + TXV	40,500	14.50	12.20	CX34-44/48	G71MPP-60C-090	3008968
XC14-042-230 + TXV	40,500	14.50	12.20	CX34-44/48	G71MPP-60C-110	1488576
XC14-042-230 + TXV	40,500	14.50	12.20	CX34-44/48	G60UHV-60C-110	1235311
XC14-042-230 + TXV	41,000	15.20	12.70	CX34-49	G61MPV-60C-111	1235321
XC14-042-230 + TXV	41,000	15.00	12.50	CX34-49	G61MPV-60C-091	1235320
XC14-042-230 + TXV	41,000	15.20	12.70	CX34-49	G61MPV-60C-110	1235319
XC14-042-230 + TXV	41,000	15.50	12.70	CX34-49	G60UHV-60C-110	1235317
XC14-042-230 + TXV	41,000	15.20	12.70	CX34-49	G61MPV-60C-090	1235318
XC14-042-230 + TXV	41,000	15.20	12.70	CX34-49	G71MPP-60C-090	3008970
XC14-042-230 + TXV	41,500	14.00	12.00	CX34-49		1234800
XC14-042-230 + TXV	41,000	15.50	13.00	CX34-49	G60UHV-60C-090	1235316
XC14-042-230 + TXV	41,000	15.20	12.70	CX34-49	G71MPP-60C-110	1488577
XC14-042-230 + TXV	40,500	13.70	11.70	CX34-50/60C		1235284
XC14-042-230 + TXV	41,000	15.00	12.70	CX34-50/60C	G60UHV-60C-090	1235322
XC14-042-230 + TXV	41,000	14.50	12.50	CX34-50/60C	G61MPV-60C-090	1235324
XC14-042-230 + TXV	41,000	14.70	12.50	CX34-50/60C	G60UHV-60C-110	1235323
XC14-042-230 + TXV	41,000	14.70	12.50	CX34-50/60C	G61MPV-60C-110	1235325
XC14-042-230 + TXV	41,000	14.50	12.20	CX34-50/60C	G61MPV-60C-111	1235327
XC14-042-230 + TXV	41,000	14.70	12.50	CX34-50/60C	G71MPP-60C-110	1488563
XC14-042-230 + TXV	41,000	14.50	12.50	CX34-50/60C	G71MPP-60C-090	3008974
XC14-042-230 + TXV	41,500	14.20	12.20	CX34-50/60C	G61MPV-60C-091	1235326
XC14-042-230 + TXV	42,000	15.00	13.00	CX34-60D	G60UHV-60D-135	3080636
XC14-042-230 + TXV	41,500	13.70	11.70	CX34-60D		3406195
XC14-042-230 + TXV	41,500	15.70	13.00	CX34-62C	G60UHV-60C-090	1235286
XC14-042-230 + TXV	41,500	15.50	12.50	CX34-62C	G61MPV-60C-111	1235291
XC14-042-230 + TXV	41,500	15.70	12.70	CX34-62C	G60UHV-60C-110	1235287
XC14-042-230 + TXV	42,000	14.20	12.00	CX34-62C		1235285
XC14-042-230 + TXV	41,500	15.50	12.70	CX34-62C	G61MPV-60C-110	1235289
XC14-042-230 + TXV	41,500	15.20	12.50	CX34-62C	G61MPV-60C-091	1235290
XC14-042-230 + TXV	41,500	15.50	12.70	CX34-62C	G71MPP-60C-110	1488573
XC14-042-230 + TXV	41,500	15.50	12.70	CX34-62C	G71MPP-60C-090	3008964
XC14-042-230 + TXV	41,500	15.50	12.70	CX34-62C	G61MPV-60C-090	1235288
XC14-042-230 + TXV	41,500	14.00	12.00	CX34-62D		1348532
XC14-042-230 + TXV	42,500	15.00	13.00	CX34-62D	G60UHV-60D-135	1402808
XC14-048-230 + RFC	47,500	13.70	11.50	C33-43		1237040
XC14-048-230 + RFC	48,000	14.20	12.00	C33-43	G61MPV-60C-110	1237053
XC14-048-230 + RFC	48,000	14.00	11.70	C33-43	G61MPV-60C-091	1237054
XC14-048-230 + RFC	48,500	14.50	12.20	C33-43	G60UHV-60C-090	1237050
XC14-048-230 + RFC	48,000	14.20	12.00	C33-43	G61MPV-60C-090	1237052
XC14-048-230 + RFC	48,000	14.20	12.00	C33-43	G61MPV-60C-111	1237055
XC14-048-230 + RFC	48,000	14.20	12.20	C33-43	G60UHV-60C-110	1237051

NOTES:

+ TXV = Matched with Thermostatic Expansion Valve.

+ RFC = Matched with RFC metering device.

Ratings are certified in accordance with USE certification program which is based on AHRI Standard 210/240; 95°F outdoor air temperature, 80°F db / 67°F wb entering evaporator air with 25 ft. of connecting refrigerant lines.

All ratings include the use of a blower time delay relay (TDR). All Lennox variable-speed furnaces and Air Handlers have time delay capabilities. Other Furnaces and Air Handlers may require an optional time delay relay (58M81) for field installation. See furnace or air handler specifications to determine if relay is needed.

Also see TXV Substitution Table.

AHRI RATINGS

NOTE - For the latest up-to-date system matches please visit the AHRI web site at <http://www.ahridirectory.org>

Model No.	Cooling Btuh	SEER	EER	Indoor Coil or Air Handler	Furnace	AHRI Reference
XC14-048-230 + RFC	48,000	14.20	12.00	C33-43	G71MPP-60C-110	1488611
XC14-048-230 + RFC	47,500	14.00	12.00	C33-48	G60UHV-60C-110	1237045
XC14-048-230 + RFC	47,500	14.00	13.00	C33-48	G60UHV-60C-090	1237044
XC14-048-230 + RFC	47,000	13.70	11.70	C33-48	G61MPV-60C-110	1237047
XC14-048-230 + RFC	47,000	13.50	11.50	C33-48	G61MPV-60C-091	1237048
XC14-048-230 + RFC	47,000	13.70	11.70	C33-48	G61MPV-60C-111	1237049
XC14-048-230 + RFC	47,000	13.70	11.70	C33-48	G61MPV-60C-090	1237046
XC14-048-230 + RFC	47,000	13.70	11.70	C33-48	G71MPP-60C-110	1488612
XC14-048-230 + RFC	47,000	13.20	11.50	C33-48		1237039
XC14-048-230 + RFC	48,500	14.20	12.00	C33-49	G61MPV-60C-091	1237060
XC14-048-230 + RFC	48,500	13.70	11.70	C33-49		1237041
XC14-048-230 + RFC	49,000	14.70	12.20	C33-49	G60UHV-60C-110	1237057
XC14-048-230 + RFC	48,500	14.50	12.20	C33-49	G61MPV-60C-110	1237059
XC14-048-230 + RFC	49,000	14.70	12.20	C33-49	G60UHV-60C-090	1237056
XC14-048-230 + RFC	48,500	14.50	12.20	C33-49	G71MPP-60C-110	1488610
XC14-048-230 + RFC	48,500	14.50	12.20	C33-49	G61MPV-60C-090	1237058
XC14-048-230 + RFC	48,500	14.50	12.20	C33-49	G61MPV-60C-111	1237061
XC14-048-230 + RFC	48,000	14.20	12.00	C33-50/60C	G60UHV-60C-110	1237063
XC14-048-230 + RFC	48,000	14.00	12.00	C33-50/60C	G61MPV-60C-110	1237065
XC14-048-230 + RFC	48,000	14.00	11.70	C33-50/60C	G61MPV-60C-111	1237067
XC14-048-230 + RFC	48,000	14.00	12.00	C33-50/60C	G61MPV-60C-090	1237064
XC14-048-230 + RFC	48,000	13.70	11.70	C33-50/60C	G61MPV-60C-091	1237066
XC14-048-230 + RFC	48,000	14.00	12.00	C33-50/60C	G71MPP-60C-110	1488609
XC14-048-230 + RFC	47,500	13.50	11.50	C33-50/60C		1237043
XC14-048-230 + RFC	48,000	14.20	12.00	C33-50/60C	G60UHV-60C-090	1237062
XC14-048-230 + RFC	48,000	13.70	11.70	C33-60D		1237042
XC14-048-230 + RFC	48,500	14.70	12.50	C33-60D	G60UHV-60D-135	1237074
XC14-048-230 + RFC	49,500	14.50	12.20	C33-62C	G61MPV-60C-091	1237072
XC14-048-230 + RFC	49,500	14.70	12.20	C33-62C	G61MPV-60C-111	1237073
XC14-048-230 + RFC	49,500	14.70	12.50	C33-62C	G60UHV-60C-110	1237069
XC14-048-230 + RFC	49,500	14.70	12.50	C33-62C	G61MPV-60C-110	1237071
XC14-048-230 + RFC	49,000	14.20	11.70	C33-62C		1237038
XC14-048-230 + RFC	50,000	15.00	12.50	C33-62C	G60UHV-60C-090	1237068
XC14-048-230 + RFC	49,500	14.70	12.50	C33-62C	G71MPP-60C-110	1488608
XC14-048-230 + RFC	49,500	14.70	12.50	C33-62C	G61MPV-60C-090	1237070
XC14-048-230 + RFC	49,000	15.00	12.50	C33-62D	G60UHV-60D-135	1237177
XC14-048-230 + RFC	48,500	14.00	11.70	C33-62D		1237176
XC14-048-230 + RFC	49,000	14.70	12.50	C33-62D	G61MPV-60D-135	1237178
XC14-048-230 + RFC	49,000	14.70	12.50	C33-62D	G71MPP-60D-135	1489352
XC14-048-230 + RFC	49,000	15.00	12.50	CH23-68	G61MPV-60D-135	1237133

NOTES:

+ TXV = Matched with Thermostatic Expansion Valve.
 + RFC = Matched with RFC metering device.

Ratings are certified in accordance with USE certification program which is based on AHRI Standard 210/240; 95°F outdoor air temperature, 80°F db / 67°F wb entering evaporator air with 25 ft. of connecting refrigerant lines.

All ratings include the use of a blower time delay relay (TDR). All Lennox variable-speed furnaces and Air Handlers have time delay capabilities. Other Furnaces and Air Handlers may require an optional time delay relay (58M81) for field installation. See furnace or air handler specifications to determine if relay is needed.

Also see TXV Substitution Table.

AHRI RATINGS

NOTE - For the latest up-to-date system matches please visit the AHRI web site at <http://www.ahridirectory.org>

Model No.	Cooling Btuh	SEER	EER	Indoor Coil or Air Handler	Furnace	AHRI Reference
XC14-048-230 + RFC	48,500	13.70	11.70	CH23-68		1237098
XC14-048-230 + RFC	49,000	15.00	12.50	CH23-68	G71MPP-60D-135	1489346
XC14-048-230 + RFC	49,000	15.20	12.70	CH23-68	G60UHV-60D-135	1237132
XC14-048-230 + RFC	48,500	14.20	12.20	CH33-43	G60UHV-60C-090	1237099
XC14-048-230 + RFC	48,000	14.00	12.00	CH33-43	G61MPV-60C-090	1237101
XC14-048-230 + RFC	48,500	14.20	12.20	CH33-43	G60UHV-60C-110	1237100
XC14-048-230 + RFC	48,000	14.00	11.70	CH33-43	G61MPV-60C-111	1237104
XC14-048-230 + RFC	48,000	14.20	12.00	CH33-43	G61MPV-60C-110	1237102
XC14-048-230 + RFC	48,000	14.20	12.00	CH33-43	G71MPP-60C-110	1488591
XC14-048-230 + RFC	48,000	13.70	11.70	CH33-43		1237092
XC14-048-230 + RFC	48,000	13.70	11.70	CH33-43	G61MPV-60C-091	1237103
XC14-048-230 + RFC	48,000	13.70	11.70	CH33-48	G61MPV-60C-091	1237109
XC14-048-230 + RFC	48,000	14.20	12.00	CH33-48	G60UHV-60C-110	1237106
XC14-048-230 + RFC	47,500	13.50	11.50	CH33-48		1237093
XC14-048-230 + RFC	48,000	14.00	12.00	CH33-48	G61MPV-60C-110	1237108
XC14-048-230 + RFC	48,000	14.20	12.00	CH33-48	G60UHV-60C-090	1237105
XC14-048-230 + RFC	48,000	14.00	11.70	CH33-48	G61MPV-60C-111	1237110
XC14-048-230 + RFC	48,000	14.00	12.00	CH33-48	G71MPP-60C-110	1488592
XC14-048-230 + RFC	48,000	14.00	12.00	CH33-48	G61MPV-60C-090	1237107
XC14-048-230 + RFC	49,000	14.50	12.20	CH33-49	G60UHV-60C-090	1237111
XC14-048-230 + RFC	48,500	13.70	11.70	CH33-49		1237094
XC14-048-230 + RFC	48,500	14.20	12.20	CH33-49	G61MPV-60C-110	1237114
XC14-048-230 + RFC	49,000	14.50	12.20	CH33-49	G60UHV-60C-110	1237112
XC14-048-230 + RFC	48,500	14.20	11.70	CH33-49	G61MPV-60C-091	1237115
XC14-048-230 + RFC	48,500	14.20	12.00	CH33-49	G61MPV-60C-111	1237116
XC14-048-230 + RFC	48,500	14.20	12.00	CH33-49	G61MPV-60C-090	1237113
XC14-048-230 + RFC	48,500	14.20	12.20	CH33-49	G71MPP-60C-110	1488593
XC14-048-230 + RFC	48,500	14.50	12.00	CH33-50/60C	G60UHV-60C-090	1237117
XC14-048-230 + RFC	48,500	14.20	12.00	CH33-50/60C	G61MPV-60C-090	1237119
XC14-048-230 + RFC	48,500	14.20	12.00	CH33-50/60C	G60UHV-60C-110	1237118
XC14-048-230 + RFC	48,500	14.20	12.20	CH33-50/60C	G61MPV-60C-110	1237120
XC14-048-230 + RFC	48,000	13.70	11.70	CH33-50/60C		1237095
XC14-048-230 + RFC	48,500	14.20	12.20	CH33-50/60C	G71MPP-60C-110	1488594
XC14-048-230 + RFC	48,500	14.00	11.70	CH33-50/60C	G61MPV-60C-091	1237121
XC14-048-230 + RFC	48,000	13.70	11.70	CH33-60D		1237096
XC14-048-230 + RFC	48,500	14.70	12.50	CH33-60D	G60UHV-60D-135	1237122
XC14-048-230 + RFC	48,000	14.50	12.20	CH33-60D	G61MPV-60D-135	1237123
XC14-048-230 + RFC	48,000	14.50	12.20	CH33-60D	G71MPP-60D-135	1489344
XC14-048-230 + RFC	48,500	14.50	12.20	CH33-62D	G61MPV-60C-091	1237130
XC14-048-230 + RFC	48,500	14.70	12.50	CH33-62D	G60UHV-60D-135	1237124
XC14-048-230 + RFC	48,500	14.70	12.20	CH33-62D	G61MPV-60D-135	1237125

NOTES:

+ TXV = Matched with Thermostatic Expansion Valve.

+ RFC = Matched with RFC metering device.

Ratings are certified in accordance with USE certification program which is based on AHRI Standard 210/240; 95°F outdoor air temperature, 80°F db / 67°F wb entering evaporator air with 25 ft. of connecting refrigerant lines.

All ratings include the use of a blower time delay relay (TDR). All Lennox variable-speed furnaces and Air Handlers have time delay capabilities. Other Furnaces and Air Handlers may require an optional time delay relay (58M81) for field installation. See furnace or air handler specifications to determine if relay is needed.

Also see TXV Substitution Table.

AHRI RATINGS

NOTE - For the latest up-to-date system matches please visit the AHRI web site at <http://www.ahridirectory.org>

Model No.	Cooling Btuh	SEER	EER	Indoor Coil or Air Handler	Furnace	AHRI Reference
XC14-048-230 + RFC	48,500	14.70	12.20	CH33-62D	G60UHV-60C-090	1237126
XC14-048-230 + RFC	48,500	14.20	12.00	CH33-62D	G61MPV-60C-110	1237129
XC14-048-230 + RFC	48,500	14.70	12.20	CH33-62D	G71MPP-60D-135	1489345
XC14-048-230 + RFC	48,500	14.20	12.00	CH33-62D	G71MPP-60C-110	1488595
XC14-048-230 + RFC	48,000	13.70	11.70	CH33-62D		1237097
XC14-048-230 + RFC	48,500	14.50	12.20	CH33-62D	G61MPV-60C-090	1237128
XC14-048-230 + RFC	48,500	14.50	12.20	CH33-62D	G60UHV-60C-110	1237127
XC14-048-230 + RFC	48,500	14.20	12.20	CH33-62D	G61MPV-60C-111	1237131
XC14-048-230 + RFC	47,000	13.70	11.70	CR33-48	G60DFV-60C-090	1237078
XC14-048-230 + RFC	46,500	13.20	11.50	CR33-48	G61MPV-60C-090	1237080
XC14-048-230 + RFC	46,500	13.50	11.70	CR33-48	G61MPV-60C-110	1237081
XC14-048-230 + RFC	46,500	13.20	11.50	CR33-48	G61MPV-60C-111	1237083
XC14-048-230 + RFC	46,500	13.00	11.50	CR33-48	G61MPV-60C-091	1237082
XC14-048-230 + RFC	46,500	13.50	11.70	CR33-48	G71MPP-60C-110	1488589
XC14-048-230 + RFC	48,500	14.20	12.20	CR33-48	G60DFV-60C-110	1237079
XC14-048-230 + RFC	48,500	14.20	12.20	CR33-50/60	G60DFV-60C-110	1237085
XC14-048-230 + RFC	48,000	14.00	12.00	CR33-50/60	G61MPV-60C-090	1237086
XC14-048-230 + RFC	48,500	14.20	12.20	CR33-50/60	G60DFV-60C-090	1237084
XC14-048-230 + RFC	48,000	14.00	12.00	CR33-50/60	G61MPV-60C-110	1237087
XC14-048-230 + RFC	48,000	13.70	11.70	CR33-50/60	G61MPV-60C-091	1237088
XC14-048-230 + RFC	48,000	14.00	12.00	CR33-50/60	G71MPP-60C-110	1488590
XC14-048-230 + RFC	48,000	14.00	12.00	CR33-50/60	G61MPV-60C-111	1237089
XC14-048-230 + RFC	47,500	13.50	11.50	CR33-50/60		1237076
XC14-048-230 + RFC	48,000	14.20	12.20	CR33-60	G61MPV-60D-135	1237075
XC14-048-230 + RFC	48,000	14.20	12.20	CR33-60	G71MPP-60D-135	1489342
XC14-048-230 + RFC	48,500	14.20	12.20	CR33-60D	G60DFV-60D-135	1237090
XC14-048-230 + RFC	48,000	14.20	12.20	CR33-60D	G71MPP-60D-135	1489343
XC14-048-230 + RFC	47,500	13.50	11.50	CR33-60D		1237077
XC14-048-230 + RFC	48,000	14.20	12.20	CR33-60D	G61MPV-60D-135	1237091
XC14-048-230 + TXV	47,500	13.70	11.50	C33-43		1235466
XC14-048-230 + TXV	48,000	14.20	12.00	C33-43	G61MPV-60C-090	1235478
XC14-048-230 + TXV	48,000	14.50	12.20	C33-43	G61MPV-60C-110	1235479
XC14-048-230 + TXV	48,000	14.50	12.20	C33-43	G71MPP-60C-110	1488554
XC14-048-230 + TXV	48,000	14.20	12.00	C33-43	G71MPP-60C-090	3009035
XC14-048-230 + TXV	48,000	14.50	12.20	C33-43	G60UHV-60C-110	1235477
XC14-048-230 + TXV	48,000	14.20	12.00	C33-43	G61MPV-60C-111	1235481
XC14-048-230 + TXV	48,000	14.50	12.20	C33-43	G60UHV-60C-090	1235476
XC14-048-230 + TXV	48,000	14.00	11.70	C33-43	G61MPV-60C-091	1235480
XC14-048-230 + TXV	47,000	14.20	11.70	C33-48	G60UHV-60C-110	1235471
XC14-048-230 + TXV	47,000	13.70	11.50	C33-48	G61MPV-60C-091	1235474
XC14-048-230 + TXV	47,000	14.00	11.70	C33-48	G61MPV-60C-111	1235475

NOTES:

+ TXV = Matched with Thermostatic Expansion Valve.

+ RFC = Matched with RFC metering device.

Ratings are certified in accordance with USE certification program which is based on AHRI Standard 210/240; 95°F outdoor air temperature, 80°F db / 67°F wb entering evaporator air with 25 ft. of connecting refrigerant lines.

All ratings include the use of a blower time delay relay (TDR). All Lennox variable-speed furnaces and Air Handlers have time delay capabilities. Other Furnaces and Air Handlers may require an optional time delay relay (58M81) for field installation. See furnace or air handler specifications to determine if relay is needed.

Also see TXV Substitution Table.

AHRI RATINGS

NOTE - For the latest up-to-date system matches please visit the AHRI web site at <http://www.ahridirectory.org>

Model No.	Cooling Btuh	SEER	EER	Indoor Coil or Air Handler	Furnace	AHRI Reference
XC14-048-230 + TXV	47,000	14.20	11.70	C33-48	G60UHV-60C-090	1235470
XC14-048-230 + TXV	47,000	14.00	11.70	C33-48	G71MPP-60C-110	1488553
XC14-048-230 + TXV	46,500	13.50	11.20	C33-48		1235465
XC14-048-230 + TXV	47,000	14.00	11.70	C33-48	G61MPV-60C-090	1235472
XC14-048-230 + TXV	47,000	14.00	11.70	C33-48	G71MPP-60C-090	3009034
XC14-048-230 + TXV	47,000	14.00	11.70	C33-48	G61MPV-60C-110	1235473
XC14-048-230 + TXV	48,500	14.00	11.70	C33-49		1235467
XC14-048-230 + TXV	48,500	14.20	12.00	C33-49	G61MPV-60C-091	1235486
XC14-048-230 + TXV	48,500	14.70	12.20	C33-49	G61MPV-60C-110	1235485
XC14-048-230 + TXV	48,500	14.50	12.20	C33-49	G61MPV-60C-111	1235487
XC14-048-230 + TXV	49,000	14.70	12.20	C33-49	G60UHV-60C-090	1235482
XC14-048-230 + TXV	49,000	14.70	12.50	C33-49	G60UHV-60C-110	1235483
XC14-048-230 + TXV	48,500	14.70	12.20	C33-49	G61MPV-60C-090	1235484
XC14-048-230 + TXV	48,500	14.70	12.20	C33-49	G71MPP-60C-110	1488555
XC14-048-230 + TXV	48,500	14.70	12.20	C33-49	G71MPP-60C-090	3009036
XC14-048-230 + TXV	47,500	14.20	12.00	C33-50/60C	G60UHV-60C-110	1235581
XC14-048-230 + TXV	47,500	14.20	12.00	C33-50/60C	G61MPV-60C-110	1235583
XC14-048-230 + TXV	47,500	14.00	11.70	C33-50/60C	G61MPV-60C-111	1235585
XC14-048-230 + TXV	47,000	13.70	11.50	C33-50/60C		1235579
XC14-048-230 + TXV	47,500	14.00	11.70	C33-50/60C	G61MPV-60C-091	1235584
XC14-048-230 + TXV	47,500	14.20	11.70	C33-50/60C	G61MPV-60C-090	1235582
XC14-048-230 + TXV	47,500	14.20	11.70	C33-50/60C	G71MPP-60C-090	3009051
XC14-048-230 + TXV	47,500	14.20	12.00	C33-50/60C	G71MPP-60C-110	1488633
XC14-048-230 + TXV	47,500	14.20	12.00	C33-50/60C	G60UHV-60C-090	1235580
XC14-048-230 + TXV	48,500	15.00	12.50	C33-60D	G60UHV-60D-135	1235494
XC14-048-230 + TXV	48,000	14.00	11.70	C33-60D		1235468
XC14-048-230 + TXV	48,500	14.70	12.20	C33-60D	G61MPV-60D-135	1235495
XC14-048-230 + TXV	48,500	14.70	12.20	C33-60D	G71MPP-60D-135	1489329
XC14-048-230 + TXV	49,500	15.00	12.50	C33-62C	G60UHV-60C-110	1235489
XC14-048-230 + TXV	49,500	14.70	12.50	C33-62C	G61MPV-60C-090	1235490
XC14-048-230 + TXV	49,500	15.00	12.50	C33-62C	G61MPV-60C-110	1235491
XC14-048-230 + TXV	49,500	14.70	12.20	C33-62C	G61MPV-60C-111	1235493
XC14-048-230 + TXV	49,500	14.50	12.20	C33-62C	G61MPV-60C-091	1235492
XC14-048-230 + TXV	49,500	15.00	12.50	C33-62C	G71MPP-60C-110	1488643
XC14-048-230 + TXV	49,500	14.70	12.50	C33-62C	G71MPP-60C-090	3009037
XC14-048-230 + TXV	49,500	15.00	12.50	C33-62C	G60UHV-60C-090	1235488
XC14-048-230 + TXV	49,000	15.20	12.70	C33-62D	G60UHV-60D-135	1235496
XC14-048-230 + TXV	48,500	14.00	11.70	C33-62D		1235469
XC14-048-230 + TXV	49,000	15.00	12.50	C33-62D	G61MPV-60D-135	1235497
XC14-048-230 + TXV	49,000	15.00	12.50	C33-62D	G71MPP-60D-135	1489330
XC14-048-230 + TXV	48,500	14.50	12.00	CB26UH-048		1235556

NOTES:

+ TXV = Matched with Thermostatic Expansion Valve.

+ RFC = Matched with RFC metering device.

Ratings are certified in accordance with USE certification program which is based on AHRI Standard 210/240; 95°F outdoor air temperature, 80°F db / 67°F wb entering evaporator air with 25 ft. of connecting refrigerant lines.

All ratings include the use of a blower time delay relay (TDR). All Lennox variable-speed furnaces and Air Handlers have time delay capabilities. Other Furnaces and Air Handlers may require an optional time delay relay (58M81) for field installation. See furnace or air handler specifications to determine if relay is needed.

Also see TXV Substitution Table.

AHRI RATINGS

NOTE - For the latest up-to-date system matches please visit the AHRI web site at <http://www.ahridirectory.org>

Model No.	Cooling Btuh	SEER	EER	Indoor Coil or Air Handler	Furnace	AHRI Reference
XC14-048-230 + TXV	48,500	14.70	12.50	CB27UH-048-230		1235570
XC14-048-230 + TXV	48,000	14.70	12.20	CB27UH-060-230		1235571
XC14-048-230 + TXV	49,500	14.70	12.20	CB30M-46P		1235558
XC14-048-230 + TXV	48,000	14.50	12.00	CB30M-51P		1235565
XC14-048-230 + TXV	48,500	14.20	12.00	CB30M-65P		1235567
XC14-048-230 + TXV	48,500	14.50	12.00	CBX26UH-048		1235564
XC14-048-230 + TXV	48,500	14.70	12.50	CBX27UH-048-230		1235562
XC14-048-230 + TXV	48,000	14.70	12.20	CBX27UH-060-230		1235563
XC14-048-230 + TXV	49,500	14.70	12.20	CBX32M-042		1235566
XC14-048-230 + TXV	48,000	14.50	12.00	CBX32M-048		1235557
XC14-048-230 + TXV	48,500	14.20	12.00	CBX32M-060		1235586
XC14-048-230 + TXV	48,500	14.50	12.20	CBX32MV-048		1235561
XC14-048-230 + TXV	48,500	14.70	12.20	CBX32MV-060		1235587
XC14-048-230 + TXV	48,500	14.50	12.20	CBX40UHV-048		3291789
XC14-048-230 + TXV	48,500	14.70	12.20	CBX40UHV-060		3291843
XC14-048-230 + TXV	48,500	14.50	12.00	CH23-65	G60UHV-60C-090	1399258
XC14-048-230 + TXV	48,500	14.50	12.00	CH23-65	G60UHV-60C-110	1399216
XC14-048-230 + TXV	49,000	15.50	12.70	CH23-68	G60UHV-60D-135	1235554
XC14-048-230 + TXV	48,500	14.20	11.70	CH23-68		1235520
XC14-048-230 + TXV	49,000	15.20	12.50	CH23-68	G71MPP-60D-135	1489334
XC14-048-230 + TXV	49,000	15.20	12.50	CH23-68	G61MPV-60D-135	1235555
XC14-048-230 + TXV	48,000	14.20	12.00	CH33-43	G61MPV-60C-090	1235523
XC14-048-230 + TXV	48,000	14.20	12.00	CH33-43	G61MPV-60C-111	1235526
XC14-048-230 + TXV	48,000	14.50	12.00	CH33-43	G60UHV-60C-090	1235521
XC14-048-230 + TXV	48,000	14.20	12.00	CH33-43	G61MPV-60C-110	1235524
XC14-048-230 + TXV	48,000	14.20	12.00	CH33-43	G71MPP-60C-090	3009040
XC14-048-230 + TXV	48,000	14.20	12.00	CH33-43	G71MPP-60C-110	1488640
XC14-048-230 + TXV	48,000	14.50	12.00	CH33-43	G60UHV-60C-110	1235522
XC14-048-230 + TXV	48,000	14.00	11.70	CH33-43	G61MPV-60C-091	1235525
XC14-048-230 + TXV	47,500	13.70	11.50	CH33-43		1235514
XC14-048-230 + TXV	47,500	14.20	11.70	CH33-48	G61MPV-60C-090	1235529
XC14-048-230 + TXV	47,500	14.20	11.70	CH33-48	G61MPV-60C-111	1235532
XC14-048-230 + TXV	47,500	14.00	11.70	CH33-48	G61MPV-60C-091	1235531
XC14-048-230 + TXV	47,500	13.70	11.50	CH33-48		1235515
XC14-048-230 + TXV	48,000	14.50	12.00	CH33-48	G60UHV-60C-090	1235527
XC14-048-230 + TXV	47,500	14.20	11.70	CH33-48	G71MPP-60C-090	3009041
XC14-048-230 + TXV	47,500	14.20	12.00	CH33-48	G71MPP-60C-110	1488639
XC14-048-230 + TXV	47,500	14.20	12.00	CH33-48	G60UHV-60C-110	1235528
XC14-048-230 + TXV	47,500	14.20	12.00	CH33-48	G61MPV-60C-110	1235530
XC14-048-230 + TXV	49,000	14.70	12.20	CH33-49	G60UHV-60C-090	1235533
XC14-048-230 + TXV	48,500	14.50	12.20	CH33-49	G61MPV-60C-110	1235536

NOTES:

+ TXV = Matched with Thermostatic Expansion Valve.

+ RFC = Matched with RFC metering device.

Ratings are certified in accordance with USE certification program which is based on AHRI Standard 210/240; 95°F outdoor air temperature, 80°F db / 67°F wb entering evaporator air with 25 ft. of connecting refrigerant lines.

All ratings include the use of a blower time delay relay (TDR). All Lennox variable-speed furnaces and Air Handlers have time delay capabilities. Other Furnaces and Air Handlers may require an optional time delay relay (58M81) for field installation. See furnace or air handler specifications to determine if relay is needed.

Also see TXV Substitution Table.

AHRI RATINGS

NOTE - For the latest up-to-date system matches please visit the AHRI web site at <http://www.ahridirectory.org>

Model No.	Cooling Btuh	SEER	EER	Indoor Coil or Air Handler	Furnace	AHRI Reference
XC14-048-230 + TXV	48,500	14.50	12.00	CH33-49	G61MPV-60C-111	1235538
XC14-048-230 + TXV	48,500	14.50	12.00	CH33-49	G61MPV-60C-090	1235535
XC14-048-230 + TXV	48,500	14.20	12.00	CH33-49	G61MPV-60C-091	1235537
XC14-048-230 + TXV	48,500	14.50	12.00	CH33-49	G71MPP-60C-090	3009042
XC14-048-230 + TXV	48,500	14.50	12.20	CH33-49	G71MPP-60C-110	1488635
XC14-048-230 + TXV	48,000	14.00	11.70	CH33-49		1235516
XC14-048-230 + TXV	48,500	14.70	12.20	CH33-49	G60UHV-60C-110	1235534
XC14-048-230 + TXV	48,500	14.50	12.20	CH33-50/60C	G61MPV-60C-110	1235542
XC14-048-230 + TXV	48,500	14.50	12.20	CH33-50/60C	G60UHV-60C-110	1235540
XC14-048-230 + TXV	48,000	14.00	11.70	CH33-50/60C		1235517
XC14-048-230 + TXV	48,000	14.20	12.00	CH33-50/60C	G61MPV-60C-090	1235541
XC14-048-230 + TXV	48,500	14.50	12.20	CH33-50/60C	G71MPP-60C-110	1488636
XC14-048-230 + TXV	48,000	14.20	12.00	CH33-50/60C	G71MPP-60C-090	3009043
XC14-048-230 + TXV	48,000	14.20	11.70	CH33-50/60C	G61MPV-60C-091	1235543
XC14-048-230 + TXV	48,500	14.70	12.20	CH33-50/60C	G60UHV-60C-090	1235539
XC14-048-230 + TXV	47,500	13.70	11.50	CH33-60D		1235518
XC14-048-230 + TXV	48,000	14.70	12.20	CH33-60D	G60UHV-60D-135	1235544
XC14-048-230 + TXV	48,000	14.70	12.20	CH33-60D	G61MPV-60D-135	1235545
XC14-048-230 + TXV	48,000	14.70	12.20	CH33-60D	G71MPP-60D-135	1489332
XC14-048-230 + TXV	48,500	15.00	12.50	CH33-62D	G60UHV-60D-135	1235546
XC14-048-230 + TXV	48,500	14.50	12.20	CH33-62D	G61MPV-60C-090	1235550
XC14-048-230 + TXV	48,000	14.00	11.70	CH33-62D		1235519
XC14-048-230 + TXV	48,500	14.70	12.20	CH33-62D	G60UHV-60C-090	1235548
XC14-048-230 + TXV	48,500	14.20	12.00	CH33-62D	G61MPV-60C-091	1235551
XC14-048-230 + TXV	48,500	14.70	12.20	CH33-62D	G71MPP-60D-135	1489333
XC14-048-230 + TXV	48,500	14.50	12.20	CH33-62D	G71MPP-60C-090	3009045
XC14-048-230 + TXV	48,500	14.70	12.20	CH33-62D	G61MPV-60D-135	1235547
XC14-048-230 + TXV	48,500	14.70	12.20	CH33-62D	G61MPV-60C-110	1235552
XC14-048-230 + TXV	48,500	14.50	12.20	CH33-62D	G61MPV-60C-111	1235553
XC14-048-230 + TXV	48,500	14.70	12.20	CH33-62D	G71MPP-60C-110	1488637
XC14-048-230 + TXV	48,500	14.70	12.20	CH33-62D	G60UHV-60C-110	1235549
XC14-048-230 + TXV	46,000	14.00	11.70	CR33-48	G60DFV-60C-090	1235500
XC14-048-230 + TXV	46,000	13.50	11.50	CR33-48	G61MPV-60C-111	1235505
XC14-048-230 + TXV	45,500	13.70	11.50	CR33-48	G71MPP-60C-110	1488642
XC14-048-230 + TXV	45,500	13.70	11.20	CR33-48	G71MPP-60C-090	3009038
XC14-048-230 + TXV	47,500	14.50	12.00	CR33-48	G60DFV-60C-110	1235501
XC14-048-230 + TXV	45,500	13.70	11.20	CR33-48	G61MPV-60C-090	1235502
XC14-048-230 + TXV	45,500	13.20	11.20	CR33-48	G61MPV-60C-091	1235504
XC14-048-230 + TXV	45,500	13.70	11.50	CR33-48	G61MPV-60C-110	1235503
XC14-048-230 + TXV	47,500	14.20	12.00	CR33-50/60	G61MPV-60C-090	1235508
XC14-048-230 + TXV	47,500	14.20	12.00	CR33-50/60	G61MPV-60C-111	1235511

NOTES:

+ TXV = Matched with Thermostatic Expansion Valve.

+ RFC = Matched with RFC metering device.

Ratings are certified in accordance with USE certification program which is based on AHRI Standard 210/240; 95°F outdoor air temperature, 80°F db / 67°F wb entering evaporator air with 25 ft. of connecting refrigerant lines.

All ratings include the use of a blower time delay relay (TDR). All Lennox variable-speed furnaces and Air Handlers have time delay capabilities. Other Furnaces and Air Handlers may require an optional time delay relay (58M81) for field installation. See furnace or air handler specifications to determine if relay is needed.

Also see TXV Substitution Table.

AHRI RATINGS

NOTE - For the latest up-to-date system matches please visit the AHRI web site at <http://www.ahridirectory.org>

Model No.	Cooling Btuh	SEER	EER	Indoor Coil or Air Handler	Furnace	AHRI Reference
XC14-048-230 + TXV	47,500	14.20	12.00	CR33-50/60	G61MPV-60C-110	1235509
XC14-048-230 + TXV	48,000	14.50	12.20	CR33-50/60	G60DFV-60C-090	1235506
XC14-048-230 + TXV	47,500	14.50	12.00	CR33-50/60	G60DFV-60C-110	1235507
XC14-048-230 + TXV	47,500	14.00	11.70	CR33-50/60	G61MPV-60C-091	1235510
XC14-048-230 + TXV	47,500	14.20	12.00	CR33-50/60	G71MPP-60C-110	1488641
XC14-048-230 + TXV	47,500	14.20	12.00	CR33-50/60	G71MPP-60C-090	3009039
XC14-048-230 + TXV	47,000	13.70	11.50	CR33-50/60		1235498
XC14-048-230 + TXV	47,000	13.70	11.50	CR33-60		1235499
XC14-048-230 + TXV	47,500	14.50	12.20	CR33-60	G61MPV-60D-135	1235513
XC14-048-230 + TXV	47,500	14.70	12.20	CR33-60	G60DFV-60D-135	1235512
XC14-048-230 + TXV	47,500	14.50	12.20	CR33-60	G71MPP-60D-135	1489331
XC14-048-230 + TXV	48,000	14.50	12.20	CX34-43	G61MPV-60C-110	1235446
XC14-048-230 + TXV	48,000	14.20	12.00	CX34-43	G61MPV-60C-111	1235448
XC14-048-230 + TXV	48,000	14.20	12.00	CX34-43	G61MPV-60C-090	1235445
XC14-048-230 + TXV	48,000	14.50	12.20	CX34-43	G60UHV-60C-110	1235444
XC14-048-230 + TXV	48,000	14.00	11.70	CX34-43	G61MPV-60C-091	1235447
XC14-048-230 + TXV	47,500	13.70	11.50	CX34-43		1235433
XC14-048-230 + TXV	48,000	14.50	12.20	CX34-43	G60UHV-60C-090	1235443
XC14-048-230 + TXV	48,000	14.20	12.00	CX34-43	G71MPP-60C-090	3009031
XC14-048-230 + TXV	48,000	14.50	12.20	CX34-43	G71MPP-60C-110	1488558
XC14-048-230 + TXV	47,000	14.00	11.70	CX34-44/48	G61MPV-60C-090	1235439
XC14-048-230 + TXV	46,500	13.50	11.20	CX34-44/48		1235432
XC14-048-230 + TXV	47,000	14.00	11.70	CX34-44/48	G61MPV-60C-110	1235440
XC14-048-230 + TXV	47,000	14.00	11.70	CX34-44/48	G71MPP-60C-090	3009009
XC14-048-230 + TXV	47,000	14.00	11.70	CX34-44/48	G71MPP-60C-110	1488557
XC14-048-230 + TXV	47,000	14.20	11.70	CX34-44/48	G60UHV-60C-110	1235438
XC14-048-230 + TXV	47,000	13.70	11.50	CX34-44/48	G61MPV-60C-091	1235441
XC14-048-230 + TXV	47,000	14.20	11.70	CX34-44/48	G60UHV-60C-090	1235437
XC14-048-230 + TXV	47,000	14.00	11.70	CX34-44/48	G61MPV-60C-111	1235442
XC14-048-230 + TXV	48,500	14.70	12.20	CX34-49	G61MPV-60C-110	1235452
XC14-048-230 + TXV	48,500	14.50	12.20	CX34-49	G61MPV-60C-111	1235454
XC14-048-230 + TXV	48,500	14.00	11.70	CX34-49		1235434
XC14-048-230 + TXV	48,500	14.20	12.00	CX34-49	G61MPV-60C-091	1235453
XC14-048-230 + TXV	48,500	14.70	12.20	CX34-49	G71MPP-60C-090	3009032
XC14-048-230 + TXV	48,500	14.70	12.20	CX34-49	G71MPP-60C-110	1488551
XC14-048-230 + TXV	48,500	14.70	12.20	CX34-49	G61MPV-60C-090	1235451
XC14-048-230 + TXV	49,000	14.70	12.20	CX34-49	G60UHV-60C-090	1235449
XC14-048-230 + TXV	49,000	14.70	12.50	CX34-49	G60UHV-60C-110	1235450
XC14-048-230 + TXV	47,000	13.70	11.50	CX34-50/60C		1235572
XC14-048-230 + TXV	47,500	14.20	12.00	CX34-50/60C	G60UHV-60C-090	1235573
XC14-048-230 + TXV	47,500	14.20	12.00	CX34-50/60C	G60UHV-60C-110	1235574

NOTES:

+ TXV = Matched with Thermostatic Expansion Valve.

+ RFC = Matched with RFC metering device.

Ratings are certified in accordance with USE certification program which is based on AHRI Standard 210/240; 95°F outdoor air temperature, 80°F db / 67°F wb entering evaporator air with 25 ft. of connecting refrigerant lines.

All ratings include the use of a blower time delay relay (TDR). All Lennox variable-speed furnaces and Air Handlers have time delay capabilities. Other Furnaces and Air Handlers may require an optional time delay relay (58M81) for field installation. See furnace or air handler specifications to determine if relay is needed.

Also see TXV Substitution Table.

AHRI RATINGS

NOTE - For the latest up-to-date system matches please visit the AHRI web site at <http://www.ahridirectory.org>

Model No.	Cooling Btuh	SEER	EER	Indoor Coil or Air Handler	Furnace	AHRI Reference
XC14-048-230 + TXV	47,500	14.20	12.00	CX34-50/60C	G61MPV-60C-110	1235576
XC14-048-230 + TXV	47,500	14.20	11.70	CX34-50/60C	G71MPP-60C-090	3009046
XC14-048-230 + TXV	47,500	14.20	12.00	CX34-50/60C	G71MPP-60C-110	1488638
XC14-048-230 + TXV	47,500	14.00	11.70	CX34-50/60C	G61MPV-60C-111	1235578
XC14-048-230 + TXV	47,500	14.20	11.70	CX34-50/60C	G61MPV-60C-090	1235575
XC14-048-230 + TXV	47,500	14.00	11.70	CX34-50/60C	G61MPV-60C-091	1235577
XC14-048-230 + TXV	48,500	15.00	12.50	CX34-60D	G60UHV-60D-135	1235461
XC14-048-230 + TXV	48,500	14.70	12.20	CX34-60D	G61MPV-60D-135	1235462
XC14-048-230 + TXV	48,500	14.70	12.20	CX34-60D	G71MPP-60D-135	1489327
XC14-048-230 + TXV	48,000	14.00	11.70	CX34-60D		1235435
XC14-048-230 + TXV	49,500	15.00	12.50	CX34-62C	G61MPV-60C-110	1235458
XC14-048-230 + TXV	49,500	14.70	12.20	CX34-62C	G61MPV-60C-111	1235460
XC14-048-230 + TXV	49,500	15.00	12.50	CX34-62C	G60UHV-60C-090	1235455
XC14-048-230 + TXV	49,500	15.00	12.50	CX34-62C	G60UHV-60C-110	1235456
XC14-048-230 + TXV	49,500	14.70	12.50	CX34-62C	G61MPV-60C-090	1235457
XC14-048-230 + TXV	49,500	14.50	12.20	CX34-62C	G61MPV-60C-091	1235459
XC14-048-230 + TXV	49,000	14.20	12.00	CX34-62C		1234801
XC14-048-230 + TXV	49,500	15.00	12.50	CX34-62C	G71MPP-60C-110	1488552
XC14-048-230 + TXV	49,500	14.70	12.50	CX34-62C	G71MPP-60C-090	3009033
XC14-048-230 + TXV	49,000	15.20	12.70	CX34-62D	G60UHV-60D-135	1235463
XC14-048-230 + TXV	49,000	15.00	12.50	CX34-62D	G61MPV-60D-135	1235464
XC14-048-230 + TXV	48,500	14.00	11.70	CX34-62D		1235436
XC14-048-230 + TXV	49,000	15.00	12.50	CX34-62D	G71MPP-60D-135	1489328
XC14-060-230 + RFC	56,500	14.20	12.00	C33-49	G60UHV-60C-090	1237138
XC14-060-230 + RFC	56,500	14.00	11.70	C33-49	G60UHV-60C-110	1237139
XC14-060-230 + RFC	56,500	13.70	11.70	C33-49		1237135
XC14-060-230 + RFC	56,000	14.00	11.70	C33-49	G71MPP-60C-110	1488596
XC14-060-230 + RFC	56,000	13.70	11.70	C33-49	G61MPV-60C-090	1237140
XC14-060-230 + RFC	56,000	14.00	11.70	C33-49	G61MPV-60C-110	1237141
XC14-060-230 + RFC	55,500	13.50	11.50	C33-50/60C	G61MPV-60C-090	1237144
XC14-060-230 + RFC	55,500	13.50	11.70	C33-50/60C	G61MPV-60C-110	1237145
XC14-060-230 + RFC	55,500	13.50	11.50	C33-50/60C		1237136
XC14-060-230 + RFC	55,500	13.50	11.70	C33-50/60C	G71MPP-60C-110	1488644
XC14-060-230 + RFC	55,500	13.70	11.70	C33-50/60C	G60UHV-60C-090	1237142
XC14-060-230 + RFC	55,500	13.70	11.70	C33-50/60C	G60UHV-60C-110	1237143
XC14-060-230 + RFC	57,000	14.70	12.50	C33-60D	G60UHV-60D-135	1237146
XC14-060-230 + RFC	56,500	14.20	12.00	C33-60D	G71MPP-60D-135	1489347
XC14-060-230 + RFC	56,000	13.70	11.50	C33-60D		1237137
XC14-060-230 + RFC	56,500	14.20	12.00	C33-60D	G61MPV-60D-135	1237147
XC14-060-230 + RFC	57,500	14.20	12.00	C33-62C	G61MPV-60C-110	1237151
XC14-060-230 + RFC	57,500	14.00	11.70	C33-62C		1237134

NOTES:

+ TXV = Matched with Thermostatic Expansion Valve.

+ RFC = Matched with RFC metering device.

Ratings are certified in accordance with USE certification program which is based on AHRI Standard 210/240; 95°F outdoor air temperature, 80°F db / 67°F wb entering evaporator air with 25 ft. of connecting refrigerant lines.

All ratings include the use of a blower time delay relay (TDR). All Lennox variable-speed furnaces and Air Handlers have time delay capabilities. Other Furnaces and Air Handlers may require an optional time delay relay (58M81) for field installation. See furnace or air handler specifications to determine if relay is needed.

Also see TXV Substitution Table.

AHRI RATINGS

NOTE - For the latest up-to-date system matches please visit the AHRI web site at <http://www.ahridirectory.org>

Model No.	Cooling Btuh	SEER	EER	Indoor Coil or Air Handler	Furnace	AHRI Reference
XC14-060-230 + RFC	57,000	14.00	11.70	C33-62C	G61MPV-60C-090	1237150
XC14-060-230 + RFC	57,500	14.20	12.00	C33-62C	G60UHV-60C-110	1237149
XC14-060-230 + RFC	57,500	14.20	12.00	C33-62C	G71MPP-60C-110	1488607
XC14-060-230 + RFC	57,500	14.20	12.20	C33-62C	G60UHV-60C-090	1237148
XC14-060-230 + RFC	57,500	14.70	12.20	C33-62C	G60UHV-60D-135	1237152
XC14-060-230 + RFC	57,000	14.70	12.20	C33-62D	G60UHV-60D-135	1237180
XC14-060-230 + RFC	57,000	14.20	12.20	C33-62D	G61MPV-60D-135	1237181
XC14-060-230 + RFC	56,500	13.70	11.70	C33-62D		1237179
XC14-060-230 + RFC	57,000	14.20	12.20	C33-62D	G71MPP-60D-135	1489353
XC14-060-230 + RFC	57,000	14.20	12.20	CH23-68	G61MPV-60D-135	1237175
XC14-060-230 + RFC	56,500	13.70	11.70	CH23-68		1237161
XC14-060-230 + RFC	57,000	14.70	12.20	CH23-68	G60UHV-60D-135	1237174
XC14-060-230 + RFC	57,000	14.20	12.20	CH23-68	G71MPP-60D-135	1489351
XC14-060-230 + RFC	56,500	14.00	11.70	CH33-49	G61MPV-60C-110	1237164
XC14-060-230 + RFC	56,500	13.70	11.70	CH33-49		1237157
XC14-060-230 + RFC	56,500	14.00	11.70	CH33-49	G60UHV-60C-110	1237163
XC14-060-230 + RFC	56,500	14.00	11.70	CH33-49	G71MPP-60C-110	1488606
XC14-060-230 + RFC	56,500	14.20	12.00	CH33-49	G60UHV-60C-090	1237162
XC14-060-230 + RFC	56,500	13.70	11.70	CH33-50/60C		1237158
XC14-060-230 + RFC	56,000	13.70	11.70	CH33-50/60C	G60UHV-60C-110	1237166
XC14-060-230 + RFC	56,500	14.00	11.70	CH33-50/60C	G60UHV-60C-090	1237165
XC14-060-230 + RFC	56,000	13.50	11.50	CH33-60D		1237159
XC14-060-230 + RFC	56,000	14.20	12.20	CH33-60D	G60UHV-60D-135	1237167
XC14-060-230 + RFC	56,000	14.00	12.00	CH33-60D	G71MPP-60D-135	1489349
XC14-060-230 + RFC	56,000	14.00	12.00	CH33-60D	G61MPV-60D-135	1237168
XC14-060-230 + RFC	56,000	14.00	11.70	CH33-62D	G61MPV-60C-110	1237172
XC14-060-230 + RFC	56,000	14.00	11.70	CH33-62D	G61MPV-60C-111	1237173
XC14-060-230 + RFC	56,000	13.70	11.50	CH33-62D		1237160
XC14-060-230 + RFC	56,000	14.00	11.70	CH33-62D	G71MPP-60C-110	1488605
XC14-060-230 + RFC	56,000	14.50	12.00	CH33-62D	G60UHV-60D-135	1237169
XC14-060-230 + RFC	56,000	14.20	12.00	CH33-62D	G61MPV-60D-135	1237170
XC14-060-230 + RFC	56,000	14.00	11.70	CH33-62D	G61MPV-60C-090	1237171
XC14-060-230 + RFC	56,000	14.20	12.00	CH33-62D	G71MPP-60D-135	1489350
XC14-060-230 + RFC	55,500	13.20	11.50	CR33-50/60		1237153
XC14-060-230 + RFC	55,500	13.20	11.50	CR33-60		1237154
XC14-060-230 + RFC	56,000	14.00	11.70	CR33-60	G61MPV-60D-135	1237156
XC14-060-230 + RFC	56,000	14.00	11.70	CR33-60	G71MPP-60D-135	1489348
XC14-060-230 + RFC	56,000	14.00	11.70	CR33-60	G60DFV-60D-135	1237155
XC14-060-230 + TXV	57,000	14.20	12.00	C33-49	G60UHV-60C-110	1235636
XC14-060-230 + TXV	57,000	14.20	12.00	C33-49	G61MPV-60C-110	1235638
XC14-060-230 + TXV	57,000	14.00	11.70	C33-49		1329103

NOTES:

+ TXV = Matched with Thermostatic Expansion Valve.

+ RFC = Matched with RFC metering device.

Ratings are certified in accordance with USE certification program which is based on AHRI Standard 210/240; 95°F outdoor air temperature, 80°F db / 67°F wb entering evaporator air with 25 ft. of connecting refrigerant lines.

All ratings include the use of a blower time delay relay (TDR). All Lennox variable-speed furnaces and Air Handlers have time delay capabilities. Other Furnaces and Air Handlers may require an optional time delay relay (58M81) for field installation. See furnace or air handler specifications to determine if relay is needed.

Also see TXV Substitution Table.

AHRI RATINGS

NOTE - For the latest up-to-date system matches please visit the AHRI web site at <http://www.ahridirectory.org>

Model No.	Cooling Btuh	SEER	EER	Indoor Coil or Air Handler	Furnace	AHRI Reference
XC14-060-230 + TXV	57,000	14.20	12.00	C33-49	G71MPP-60C-110	1488629
XC14-060-230 + TXV	57,000	14.20	12.00	C33-49	G61MPV-60C-111	3093134
XC14-060-230 + TXV	57,000	14.20	12.00	C33-49	G60UHV-60C-090	1235635
XC14-060-230 + TXV	57,000	14.00	12.00	C33-49	G61MPV-60C-090	1235637
XC14-060-230 + TXV	56,000	14.00	11.70	C33-50/60C	G60UHV-60C-110	1235632
XC14-060-230 + TXV	55,500	13.70	11.50	C33-50/60C	G61MPV-60C-090	1235633
XC14-060-230 + TXV	55,500	13.70	11.70	C33-50/60C	G61MPV-60C-110	1235634
XC14-060-230 + TXV	56,000	14.00	11.70	C33-50/60C	G60UHV-60C-090	1235631
XC14-060-230 + TXV	55,500	13.70	11.50	C33-50/60C		1329104
XC14-060-230 + TXV	55,500	13.70	11.70	C33-50/60C	G71MPP-60C-110	1488630
XC14-060-230 + TXV	57,000	14.50	12.20	C33-60D	G61MPV-60D-135	1235630
XC14-060-230 + TXV	56,500	14.00	11.70	C33-60D		1329105
XC14-060-230 + TXV	57,000	14.50	12.20	C33-60D	G71MPP-60D-135	1489339
XC14-060-230 + TXV	57,500	15.00	12.50	C33-60D	G60UHV-60D-135	1235629
XC14-060-230 + TXV	58,000	14.50	12.20	C33-62C	G60UHV-60C-110	1235625
XC14-060-230 + TXV	58,000	14.50	12.20	C33-62C	G61MPV-60C-110	1235627
XC14-060-230 + TXV	58,000	14.70	12.50	C33-62C	G60UHV-60D-135	1235628
XC14-060-230 + TXV	58,000	14.50	12.20	C33-62C	G60UHV-60C-090	1235624
XC14-060-230 + TXV	58,000	14.20	12.00	C33-62C	G61MPV-60C-090	1235626
XC14-060-230 + TXV	58,000	14.20	12.00	C33-62C		1329107
XC14-060-230 + TXV	58,000	14.50	12.20	C33-62C	G71MPP-60C-110	1488631
XC14-060-230 + TXV	57,500	14.70	12.50	C33-62D	G60UHV-60D-135	1235622
XC14-060-230 + TXV	57,000	14.00	11.70	C33-62D		1329106
XC14-060-230 + TXV	57,500	14.50	12.20	C33-62D	G61MPV-60D-135	1235623
XC14-060-230 + TXV	57,500	14.50	12.20	C33-62D	G71MPP-60D-135	1489338
XC14-060-230 + TXV	58,000	14.70	12.20	CB26UH-060		1235591
XC14-060-230 + TXV	56,500	14.20	12.00	CB27UH-060-230		1235600
XC14-060-230 + TXV	55,500	13.00	11.20	CB30M-51P		1235596
XC14-060-230 + TXV	56,500	14.20	12.00	CB30M-65P		1235646
XC14-060-230 + TXV	58,000	14.70	12.20	CBX26UH-060		1235597
XC14-060-230 + TXV	56,500	14.20	12.00	CBX27UH-060-230		1235595
XC14-060-230 + TXV	55,500	13.00	11.20	CBX32M-048		1235589
XC14-060-230 + TXV	56,500	14.20	12.00	CBX32M-060		1235594
XC14-060-230 + TXV	56,000	14.20	11.70	CBX32MV-048		1235592
XC14-060-230 + TXV	56,500	14.20	12.00	CBX32MV-060		1235593
XC14-060-230 + TXV	56,500	14.50	12.20	CBX32MV-068		1235645
XC14-060-230 + TXV	56,000	14.20	11.70	CBX40UHV-048		3291790
XC14-060-230 + TXV	56,500	14.20	12.00	CBX40UHV-060		3291844
XC14-060-230 + TXV	57,500	14.70	12.50	CH23-68	G60UHV-60D-135	1235606
XC14-060-230 + TXV	57,000	14.00	11.70	CH23-68		1235617
XC14-060-230 + TXV	57,500	14.50	12.20	CH23-68	G71MPP-60D-135	1489336

NOTES:

+ TXV = Matched with Thermostatic Expansion Valve.

+ RFC = Matched with RFC metering device.

Ratings are certified in accordance with USE certification program which is based on AHRI Standard 210/240; 95°F outdoor air temperature, 80°F db / 67°F wb entering evaporator air with 25 ft. of connecting refrigerant lines.

All ratings include the use of a blower time delay relay (TDR). All Lennox variable-speed furnaces and Air Handlers have time delay capabilities. Other Furnaces and Air Handlers may require an optional time delay relay (58M81) for field installation. See furnace or air handler specifications to determine if relay is needed.

Also see TXV Substitution Table.

AHRI RATINGS

NOTE - For the latest up-to-date system matches please visit the AHRI web site at <http://www.ahridirectory.org>

Model No.	Cooling Btuh	SEER	EER	Indoor Coil or Air Handler	Furnace	AHRI Reference
XC14-060-230 + TXV	57,500	14.50	12.20	CH23-68	G61MPV-60D-135	1235607
XC14-060-230 + TXV	57,500	14.50	12.20	CH33-49	G60UHV-60C-090	1235610
XC14-060-230 + TXV	57,000	14.20	11.70	CH33-49	G61MPV-60C-110	1235612
XC14-060-230 + TXV	57,000	14.20	12.00	CH33-49	G60UHV-60C-110	1235611
XC14-060-230 + TXV	57,000	14.20	11.70	CH33-49	G71MPP-60C-110	1488632
XC14-060-230 + TXV	57,000	14.00	11.70	CH33-49		1235613
XC14-060-230 + TXV	57,000	14.00	12.00	CH33-50/60C	CBWMV-60C-120	1260280
XC14-060-230 + TXV	56,500	14.00	11.70	CH33-50/60C		1235614
XC14-060-230 + TXV	57,000	14.20	12.00	CH33-50/60C	G60UHV-60C-090	1235608
XC14-060-230 + TXV	56,500	14.20	12.00	CH33-60D	G61MPV-60D-135	1235648
XC14-060-230 + TXV	56,000	13.70	11.50	CH33-60D		1235615
XC14-060-230 + TXV	56,500	14.70	12.20	CH33-60D	G60UHV-60D-135	1235647
XC14-060-230 + TXV	56,500	14.20	12.00	CH33-60D	G71MPP-60D-135	1489340
XC14-060-230 + TXV	56,500	14.20	11.70	CH33-62D	G61MPV-60C-090	1235603
XC14-060-230 + TXV	56,500	14.20	12.00	CH33-62D	G61MPV-60C-111	1235605
XC14-060-230 + TXV	57,000	14.70	12.20	CH33-62D	G60UHV-60D-135	1235601
XC14-060-230 + TXV	56,500	13.70	11.70	CH33-62D		1235616
XC14-060-230 + TXV	56,500	14.20	12.00	CH33-62D	G61MPV-60C-110	1235604
XC14-060-230 + TXV	56,500	14.20	12.00	CH33-62D	G71MPP-60C-110	1488634
XC14-060-230 + TXV	57,000	14.50	12.20	CH33-62D	G71MPP-60D-135	1489335
XC14-060-230 + TXV	57,000	14.50	12.20	CH33-62D	G61MPV-60D-135	1235602
XC14-060-230 + TXV	56,500	14.20	12.00	CH33-62D	G60UHV-60C-110	3013618
XC14-060-230 + TXV	56,000	14.00	11.70	CR33-50/60	G60UHV-60C-110	1235609
XC14-060-230 + TXV	55,500	13.70	11.50	CR33-50/60		1235620
XC14-060-230 + TXV	56,000	14.00	11.70	CR33-60	G61MPV-60D-135	1235619
XC14-060-230 + TXV	56,000	14.00	11.70	CR33-60	G60DFV-60D-135	1235618
XC14-060-230 + TXV	56,000	14.00	11.70	CR33-60	G71MPP-60D-135	1489337
XC14-060-230 + TXV	55,500	13.70	11.50	CR33-60		1235621
XC14-060-230 + TXV	57,000	14.00	11.70	CX34-49		1235639
XC14-060-230 + TXV	57,000	14.00	12.00	CX34-49	G61MPV-60C-090	1332095
XC14-060-230 + TXV	57,000	14.20	12.00	CX34-49	G60UHV-60C-110	1332094
XC14-060-230 + TXV	57,000	14.20	12.00	CX34-49	G61MPV-60C-110	1332096
XC14-060-230 + TXV	57,000	14.20	12.00	CX34-49	G71MPP-60C-110	1488870
XC14-060-230 + TXV	57,000	14.20	12.00	CX34-49	G61MPV-60C-111	3093135
XC14-060-230 + TXV	57,000	14.20	12.00	CX34-49	G60UHV-60C-090	1332093
XC14-060-230 + TXV	55,500	13.70	11.50	CX34-50/60C		1235640
XC14-060-230 + TXV	56,000	14.00	11.70	CX34-50/60C	G60UHV-60C-110	1332088
XC14-060-230 + TXV	55,500	13.70	11.50	CX34-50/60C	G61MPV-60C-090	1332089
XC14-060-230 + TXV	55,500	13.70	11.70	CX34-50/60C	G61MPV-60C-110	1332090
XC14-060-230 + TXV	56,000	14.00	11.70	CX34-50/60C	G60UHV-60C-090	1332087
XC14-060-230 + TXV	55,500	13.70	11.70	CX34-50/60C	G71MPP-60C-110	1488874

NOTES:

+ TXV = Matched with Thermostatic Expansion Valve.

+ RFC = Matched with RFC metering device.

Ratings are certified in accordance with USE certification program which is based on AHRI Standard 210/240; 95°F outdoor air temperature, 80°F db / 67°F wb entering evaporator air with 25 ft. of connecting refrigerant lines.

All ratings include the use of a blower time delay relay (TDR). All Lennox variable-speed furnaces and Air Handlers have time delay capabilities. Other Furnaces and Air Handlers may require an optional time delay relay (58M81) for field installation. See furnace or air handler specifications to determine if relay is needed.

Also see TXV Substitution Table.

AHRI RATINGS

NOTE - For the latest up-to-date system matches please visit the AHRI web site at <http://www.ahridirectory.org>

Model No.	Cooling Btuh	SEER	EER	Indoor Coil or Air Handler	Furnace	AHRI Reference
XC14-060-230 + TXV	56,500	14.00	11.70	CX34-60D		1235641
XC14-060-230 + TXV	57,500	15.00	12.50	CX34-60D	G60UHV-60D-135	1332085
XC14-060-230 + TXV	57,000	14.50	12.20	CX34-60D	G61MPV-60D-135	1332086
XC14-060-230 + TXV	57,000	14.50	12.20	CX34-60D	G71MPP-60D-135	1489493
XC14-060-230 + TXV	58,000	14.20	12.00	CX34-62C		1234802
XC14-060-230 + TXV	58,000	14.20	12.00	CX34-62C	G61MPV-60C-090	1332082
XC14-060-230 + TXV	58,000	14.70	12.50	CX34-62C	G60UHV-60D-135	1332084
XC14-060-230 + TXV	58,000	14.50	12.20	CX34-62C	G60UHV-60C-110	1332081
XC14-060-230 + TXV	58,000	14.50	12.20	CX34-62C	G71MPP-60C-110	1488873
XC14-060-230 + TXV	58,000	14.50	12.20	CX34-62C	G60UHV-60C-090	1332080
XC14-060-230 + TXV	58,000	14.50	12.20	CX34-62C	G61MPV-60C-110	1332083
XC14-060-230 + TXV	57,000	14.00	11.70	CX34-62D		1235642
XC14-060-230 + TXV	57,500	14.50	12.20	CX34-62D	G61MPV-60D-135	1332079
XC14-060-230 + TXV	57,500	14.70	12.50	CX34-62D	G60UHV-60D-135	1332078
XC14-060-230 + TXV	57,500	14.50	12.20	CX34-62D	G71MPP-60D-135	1489492

NOTES:

+ TXV = Matched with Thermostatic Expansion Valve.

+ RFC = Matched with RFC metering device.

Ratings are certified in accordance with USE certification program which is based on AHRI Standard 210/240; 95°F outdoor air temperature, 80°F db / 67°F wb entering evaporator air with 25 ft. of connecting refrigerant lines.

All ratings include the use of a blower time delay relay (TDR). All Lennox variable-speed furnaces and Air Handlers have time delay capabilities. Other Furnaces and Air Handlers may require an optional time delay relay (58M81) for field installation. See furnace or air handler specifications to determine if relay is needed.

Also see TXV Substitution Table.

REVISIONS

Sections	Description of Change
AHRI System Matches	Updated all to include ARHI reference numbers.



Visit us at www.lennox.com

For the latest technical information, www.lennox.com

Contact us at 1-800-4-LENNOX

NOTE - Due to Lennox' ongoing commitment to quality, Specifications, Ratings and Dimensions subject to change without notice and without incurring liability. Improper installation, adjustment, alteration, service or maintenance can cause property damage or personal injury. Installation and service must be performed by a qualified installer and servicing agency.