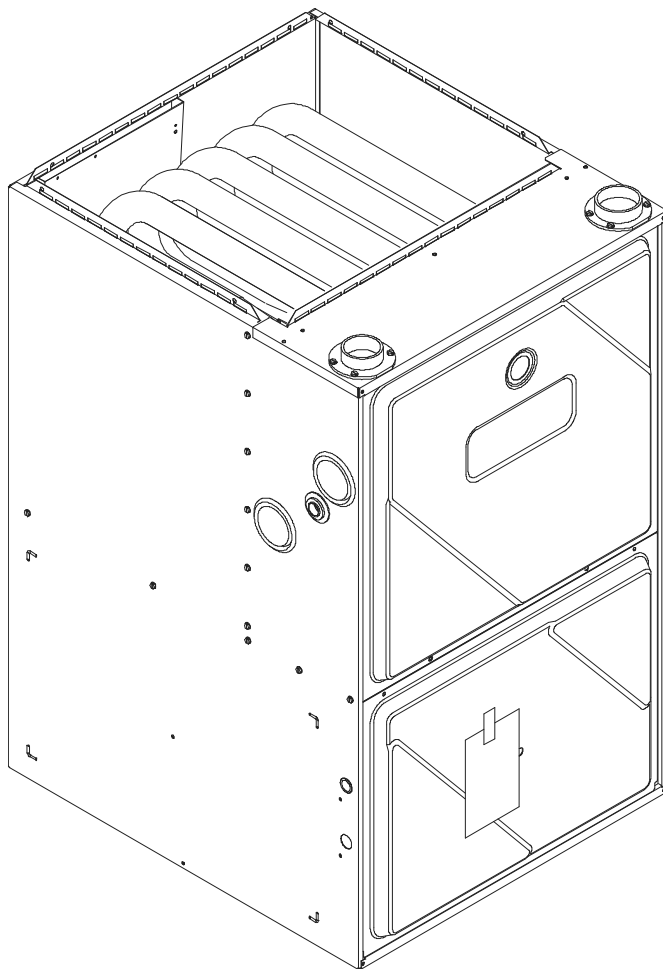


Models and manufacturing
numbers in this manual

| | |
|-------------|-----------|
| GUCA045AX30 | P1219301F |
| GUCA070AX30 | P1219302F |
| GUCA070AX40 | P1219303F |
| GUCA090AX40 | P1219304F |
| GUCA090AX50 | P1219305F |
| GUCA115AX50 | P1219306F |

Parts

GUCA Gas Furnace



This manual is to be used by qualified appliance technicians only. Amana does not assume any responsibility for property damage or personal injury for improper service procedures done by an unqualified person.

Amana

RP6610010
Revision 0
October 1998

Important Information

Amana is not responsible for personal injury or property damage resulting from improper service. Review all service information before beginning repairs.

Warranty service must be performed by an authorized technician, using authorized factory parts. If service is required after the warranty expires, Amana also recommends contacting an authorized technician and using authorized factory parts. Locate an authorized technician by calling 800-NATLSVC (800-628-5782).

For assistance within the U.S.A. contact:

Consumer Affairs Department
Amana
2800 220th Trail
Amana IA 52204-0001
319-622-5511--Telephone
319-622-2977--Facsimile

For assistance outside the U.S.A. contact:

International Division
Amana
2800 220th Trail
Amana IA 52204-0001
USA
319-622-5511--Telephone
319-622-8595--Facsimile

Index

| | |
|------------------------------|--------|
| Functional Parts List | 5 |
| Illustration and Parts | 6 - 15 |

Views shown are for parts illustrations only, not servicing procedures

Text Codes:

AR - As Required

0000 - Not Shown

QTY - Quantity Example (QTY 3) (If Quantity not shown, Quantity = 1)

M - Model Example (M1) (If M Code not shown, then part is used on all Models)

Expanded Model and Color Nomenclature:

| | |
|--------------|---------|
| Example | |
| M1 - Model#1 | P _____ |
| M2 - Model#2 | P _____ |
| M3 - Model#3 | P _____ |

Functional Parts

Part

No: Description:

| | |
|----------|---------------------------------------|
| 10735102 | BECKETT BURNER (QTY AR) |
| 20190601 | BLOWER-I.D. |
| D6879746 | CAPACITOR (M2, M3, M4) |
| D6859332 | CAPACITOR (M1, M5) |
| D6879740 | CAPACITOR (M6) |
| 10207709 | CONTROL-INTEG |
| 10735201 | FLAME-SENSOR |
| 20200904 | HARNESS-WIRING (CIRCULATOR BLOWER) |
| 20200905 | HARNESS-WIRING (MAIN) |
| 20165702 | IGNITOR |
| 20162903 | LIMIT (M3) |
| 10123517 | LIMIT (M3) (QTY AR) |
| 20162904 | LIMIT (M1, M2, M4, M5, M6) |
| 10123516 | LIMIT-RESET MAN (M1, M2, M3, M4, M5) |
| 10123506 | LIMIT-RESET MAN (M6) |
| 10123514 | LIMIT-RESET MAN (M1, M2, M4) (QTY AR) |
| 10123515 | LIMIT-RESET MAN (M5, M6) (QTY AR) |
| 10759308 | MOTOR BLOWER 1/2 HP (M2) |
| 10759309 | MOTOR BLOWER 1/2 HP (M3, M4) |
| 10759411 | MOTOR-BLOW 3/4 HP (M5) |
| 10759211 | MOTOR-BLOWER 1/3 HP (M1) |
| 10759412 | MOTOR-BLOWER 3/4 HP (M6) |
| 10716003 | ORIFICE (QTY AR) |
| 10690401 | SWITCH-INTERLOCK |
| 20197305 | SWITCH-PRESSURE (QTY 2) |
| C6349703 | TRANSFORMER |
| C6476907 | VALVE-GAS |

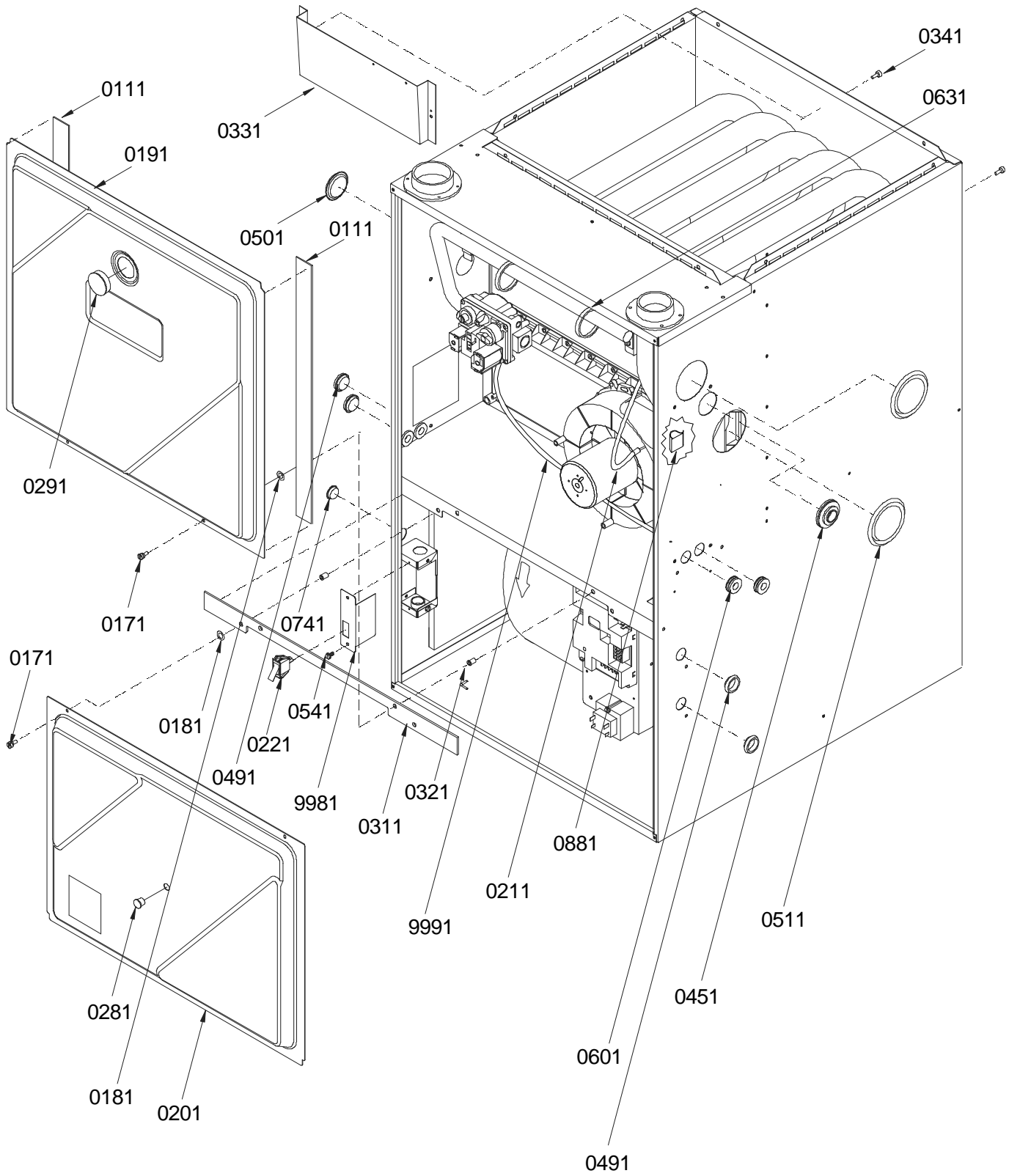
SPECIAL PARTS

| | |
|-----------|---------------------|
| 11067349 | INSTR-HI ALT FR |
| 11067345 | INSTR-INSTALL FR |
| 11067348 | INSTR-LP FR |
| 10318721 | INSTRUCT-INSTALL |
| 10772906 | INSTRUCT-INSTALL WR |
| RP6610010 | MANUAL-PARTS |
| 10318816 | MANUAL-USERS |
| 11067346 | MANUAL-USERS FR |
| 10195509 | STNDPIPE BAG ASSY |

Expanded Model and Color Nomenclature

| | |
|------------------|-----------|
| M1 - GUCA045AX30 | P1219301F |
| M2 - GUCA070AX30 | P1219302F |
| M3 - GUCA070AX40 | P1219303F |
| M4 - GUCA090AX40 | P1219304F |
| M5 - GUCA090AX50 | P1219305F |
| M6 - GUCA115AX50 | P1219306F |

Cabinet Assembly and Blower Mounting



Cabinet Assembly and Blower Mounting

| Ref. No: | Part No: | Description: | Ref. No: | Part No: | Description: |
|----------------|----------|---------------------------|----------|----------|--------------|
| <i>Image 1</i> | | | | | |
| 0000 | 10261301 | SCREEN-VENT | | | |
| 0000 | 10261302 | SCREEN-VENT | | | |
| 0111 | 20179308 | GASKET (QTY 2) | | | |
| 0171 | M0209716 | SCREW-DECORATIVE (QTY AR) | | | |
| 0181 | M0273904 | RETAINER-SCREW (QTY AR) | | | |
| 0191 | 20177401 | DOOR-ACCESS (M1, M2) | | | |
| 0191 | 20177402 | DOOR-ACCESS (M3, M4) | | | |
| 0191 | 20177403 | DOOR-ACCESS (M5, M6) | | | |
| 0201 | 20177301 | DOOR-BLOWER (M1, M2) | | | |
| 0201 | 20177302 | DOOR-BLOWER (M3, M4) | | | |
| 0201 | 20177303 | DOOR-BLOWER (M5, M6) | | | |
| 0211 | B1410312 | HOSE-PRESSURE SW | | | |
| 0221 | 10690401 | SWITCH-INTERLOCK | | | |
| 0281 | 11104001 | SNAP-BUSHING CLR | | | |
| 0291 | 11104002 | SNAP-BUSHING CLR | | | |
| 0311 | 20214101 | GASKET-DECK (M1, M2) | | | |
| 0311 | 20214102 | GASKET-DECK (M3, M4) | | | |
| 0311 | 20214103 | GASKET-DECK (M5, M6) | | | |
| 0321 | M0294801 | INSERT-KNURLED (QTY AR) | | | |
| 0331 | 11165107 | SHIELD ID BLOWER | | | |
| 0341 | M0219918 | SCREW-SM (QTY AR) | | | |
| 0451 | M0501301 | GROMMET-PIPE | | | |
| 0491 | M0570804 | PLUG-BUTTON (QTY AR) | | | |
| 0501 | M0570802 | PLUG-BUTTON | | | |
| 0511 | M0570803 | PLUG-BUTTON (QTY AR) | | | |
| 0541 | M0216716 | SCREW-SM (QTY AR) | | | |
| 0601 | A4691701 | GROMMET (QTY AR) | | | |
| 0631 | M0321202 | TIE-ELEC LG (QTY AR) | | | |
| 0741 | M0571002 | BUSHING-SNAP (QTY AR) | | | |
| 0881 | M0104102 | CLIP-CORD | | | |
| 9981 | 10736202 | COVER-HV BOX | | | |
| 9991 | B1410316 | HOSE PRESSURE SW (M3, M4) | | | |
| 9991 | B1410304 | HOSE-PRESSURE SW (M1, M2) | | | |
| 9991 | B1410317 | HOSE-PRESSURE SW (M5, M6) | | | |

Expanded Model and Color Nomenclature

| | |
|------------------|-----------|
| M1 - GUCA045AX30 | P1219301F |
| M2 - GUCA070AX30 | P1219302F |
| M3 - GUCA070AX40 | P1219303F |
| M4 - GUCA090AX40 | P1219304F |
| M5 - GUCA090AX50 | P1219305F |
| M6 - GUCA115AX50 | P1219306F |

Blower Assembly

| Ref. No: | Part No: | Description: | Ref. No: | Part No: | Description: |
|----------|----------|--------------|----------|----------|--------------|
|----------|----------|--------------|----------|----------|--------------|

Image 1

| | | |
|------|----------|----------------------------------|
| 0021 | A3410501 | STRAP-CAPACITOR (M2, M3, M4, M6) |
| 0021 | A4055402 | STRAP-CAPACITOR (M1, M5) |
| 0041 | A4002701 | GROMMET (QTY AR) |
| 0081 | 20175101 | RAIL-BLWR SIDE (QTY 2) |
| 0121 | C6121803 | CUTOFF (M1, M2) |
| 0121 | C6121806 | CUTOFF (M3, M4) |
| 0121 | C6121811 | CUTOFF (M5, M6) |
| 0141 | 10441601 | BAND-MTR MOUNT |
| 0151 | 10441501 | ARM-MTR MOUNT (QTY 4) |
| 0161 | D6859332 | CAPACITOR (M1, M5) |
| 0161 | D6879740 | CAPACITOR (M6) |
| 0161 | D6879746 | CAPACITOR (M2, M3, M4) |
| 0171 | D6723311 | WHEEL-BLOWER (M6) |
| 0171 | D6723319 | WHEEL-BLOWER (M2) |
| 0171 | D6723320 | WHEEL-BLOWER (M3, M4, M5) |
| 0171 | D6723321 | WHEEL-BLOWER (M1) |
| 0181 | 10759308 | MOTOR BLOWER 1/2 HP (M2) |
| 0181 | 10759309 | MOTOR BLOWER 1/2 HP (M3, M4) |
| 0181 | 10759411 | MOTOR-BLOW 3/4 HP (M5) |
| 0181 | 10759211 | MOTOR-BLOWER 1/3 HP (M1) |
| 0181 | 10759412 | MOTOR-BLOWER 3/4 HP (M6) |
| 0191 | 11185807 | HOUSING WELD 11X10 (M5, M6) |
| 0191 | 11185805 | HOUSING WELD 11X7 (M1, M2) |
| 0191 | 11185806 | HOUSING WELD 11X9 (M3, M4) |
| 0201 | M0211020 | SCREW-SM (QTY AR) |
| 0211 | M0219916 | SCREW-SM (QTY AR) |
| 0221 | M0253516 | SCREW-TR (QTY AR) |
| 0231 | M0221461 | SCREW-TC (QTY AR) |
| 0251 | M0267144 | SCREW-MACH |
| 0261 | M0274008 | WASHER-FLAT (QTY 4) |
| 0281 | M0282015 | NUT-KEPS |
| 0291 | M0321202 | TIE-ELEC LG |
| 0401 | 10207709 | CONTROL-INTEG |
| 0461 | 10746204 | BRKT-CONTROL |
| 0471 | M0216536 | SCREW-SM (QTY AR) |
| 0481 | C6349703 | TRANSFORMER |

Image 2

| | | |
|------|----------|--------------------------------------|
| 0132 | 20178501 | RETAINER-FILTER |
| 0352 | 10861101 | BRKT-AUX LIMIT |
| 0362 | 10123506 | LIMIT-RESET MAN (M6) |
| 0362 | 10123516 | LIMIT-RESET MAN (M1, M2, M3, M4, M5) |
| 0562 | M0219918 | SCREW-SM (QTY AR) |

Expanded Model and Color Nomenclature

| | |
|------------------|-----------|
| M1 - GUCA045AX30 | P1219301F |
| M2 - GUCA070AX30 | P1219302F |
| M3 - GUCA070AX40 | P1219303F |
| M4 - GUCA090AX40 | P1219304F |
| M5 - GUCA090AX50 | P1219305F |
| M6 - GUCA115AX50 | P1219306F |

Cabinet Assembly

| Ref. Part No: | Part No: | Description: | Ref. Part No: | Part No: | Description: |
|----------------|----------|------------------------------|---------------------------------------|----------|--------------|
| <i>Image 1</i> | | | Expanded Model and Color Nomenclature | | |
| 0011 | 20174701 | BASEPAN-UPFLOW (M1, M2) | M1 - GUCA045AX30 | | P1219301F |
| 0011 | 20174702 | BASEPAN-UPFLOW (M3, M4) | M2 - GUCA070AX30 | | P1219302F |
| 0011 | 20174703 | BASEPAN-UPFLOW (M5, M6) | M3 - GUCA070AX40 | | P1219303F |
| 0031 | 20190301 | DECK-BLOWER UF (M1, M2) | M4 - GUCA090AX40 | | P1219304F |
| 0031 | 20190302 | DECK-BLOWER UF (M3, M4) | M5 - GUCA090AX50 | | P1219305F |
| 0031 | 20190303 | DECK-BLOWER UF (M5, M6) | M6 - GUCA115AX50 | | P1219306F |
| 0041 | 20215701 | GASKET-COIL (M1, M2) (QTY 2) | | | |
| 0041 | 20215702 | GASKET-COIL (M3, M4) (QTY 2) | | | |
| 0041 | 20215703 | GASKET-COIL (M5, M6) (QTY 2) | | | |
| 0081 | 20166001 | PANEL-BACK (M1, M2) | | | |
| 0081 | 20166002 | PANEL-BACK (M3, M4) | | | |
| 0081 | 20166003 | PANEL-BACK (M5, M6) | | | |
| 0091 | C6415907 | INSUL-HT EX (M1, M2) | | | |
| 0091 | C6415908 | INSUL-HT EX (M3, M4) | | | |
| 0091 | C6415909 | INSUL-HT EX (M5, M6) | | | |
| 0101 | 20191301 | RAIL-DECK (M1, M2) | | | |
| 0101 | 20191302 | RAIL-DECK (M3, M4) | | | |
| 0101 | 20191303 | RAIL-DECK (M5, M6) | | | |
| 0121 | 20191601 | RAIL-SIDE (QTY 2) | | | |
| 0141 | 20193401 | PANEL-SIDE LH UP | | | |
| 0151 | 20193301 | PANEL-SIDE RH UP | | | |
| 0161 | 20006601 | INSULATION (M1, M2) | | | |
| 0161 | 20006602 | INSULATION (M3, M4) | | | |
| 0161 | 20006603 | INSULATION (M5, M6) | | | |
| 0171 | 20006604 | INSULATION-SIDE (QTY 2) | | | |
| 0231 | 20190503 | PIPE-FLUE UF | | | |
| 0241 | 20171801 | ELBOW | | | |
| 0271 | 20190601 | BLOWER-I.D. | | | |
| 0281 | 20049701 | COUPLING-FA (QTY 2) | | | |
| 0311 | 10736102 | BOX-HIGH VOLTAGE | | | |
| 0421 | A4554801 | BUSHING-SNAP | | | |
| 0521 | M0218154 | SCREW-SM (QTY AR) | | | |
| 0531 | M0270544 | WASHER-FLAT (QTY AR) | | | |
| 0541 | M0216716 | SCREW-SM (QTY AR) | | | |
| 0551 | M0219916 | SCREW-SM (QTY AR) | | | |
| 0561 | M0219918 | SCREW-SM (QTY AR) | | | |
| 0611 | A3326008 | CLAMP-HOSE (QTY AR) | | | |
| 0711 | M0216714 | SCREW-SM (QTY AR) | | | |
| 0721 | M0218153 | SCREW-SM (QTY AR) | | | |
| 0741 | M0571002 | BUSHING-SNAP (QTY AR) | | | |
| 0771 | M0270001 | WASHER-CUP | | | |
| 0781 | M0227803 | SCREW-TC | | | |
| 0791 | 20194604 | GASKET (QTY AR) | | | |
| 0811 | 20194601 | GASKET (M1, M2) | | | |
| 0811 | 20194602 | GASKET (M3, M4) | | | |
| 0811 | 20194603 | GASKET (M5, M6) | | | |
| 0831 | 20175101 | RAIL-BLWR SIDE (QTY 2) | | | |
| 9971 | 20179305 | GASKET (M1, M2) | | | |
| 9971 | 20179306 | GASKET (M3, M4) | | | |
| 9971 | 20179307 | GASKET (M5, M6) | | | |
| 9981 | 20192701 | INSULATION (M1, M2) | | | |
| 9981 | 20192702 | INSULATION (M3, M4) | | | |
| 9981 | 20192703 | INSULATION (M5, M6) | | | |
| 9991 | 20192801 | COVER-FLUE/FA (M1, M2) | | | |
| 9991 | 20192802 | COVER-FLUE/FA (M3, M4) | | | |
| 9991 | 20192803 | COVER-FLUE/FA (M5, M6) | | | |

Heat Exchanger/Manifold Assembly

Image 1

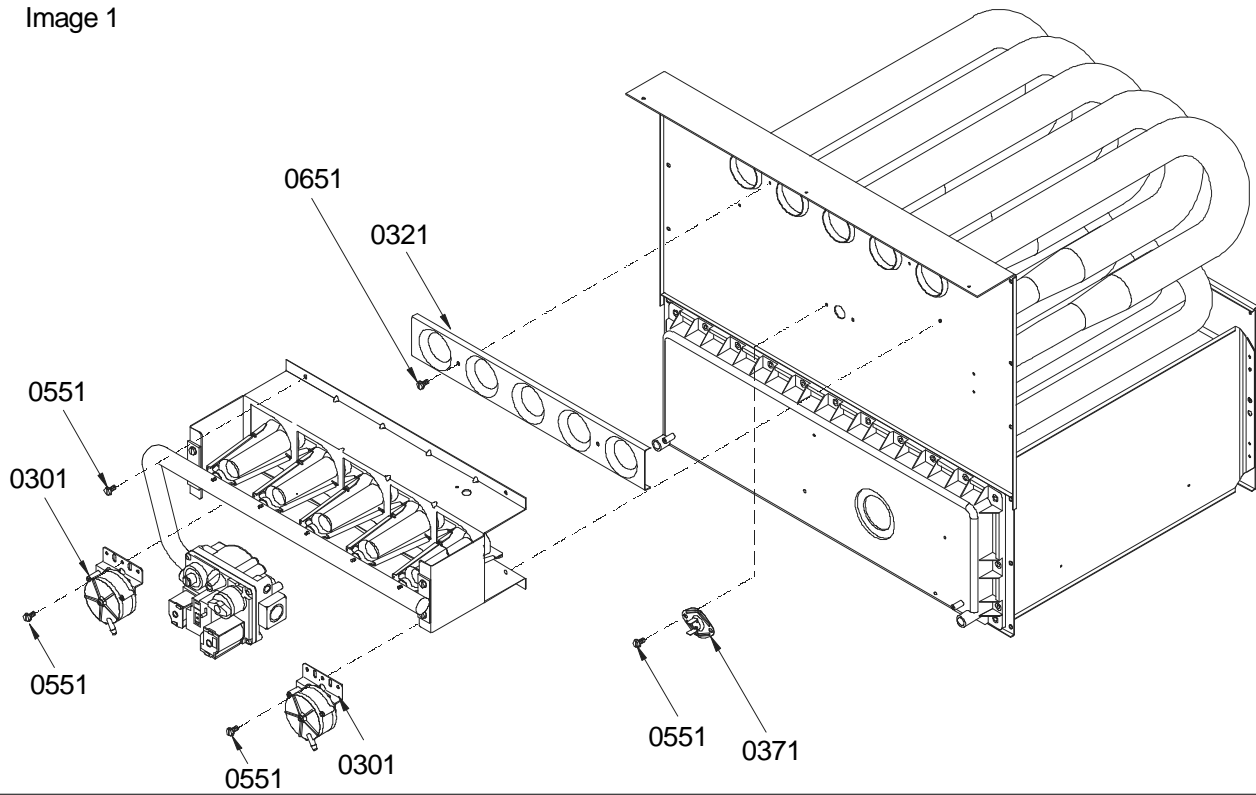
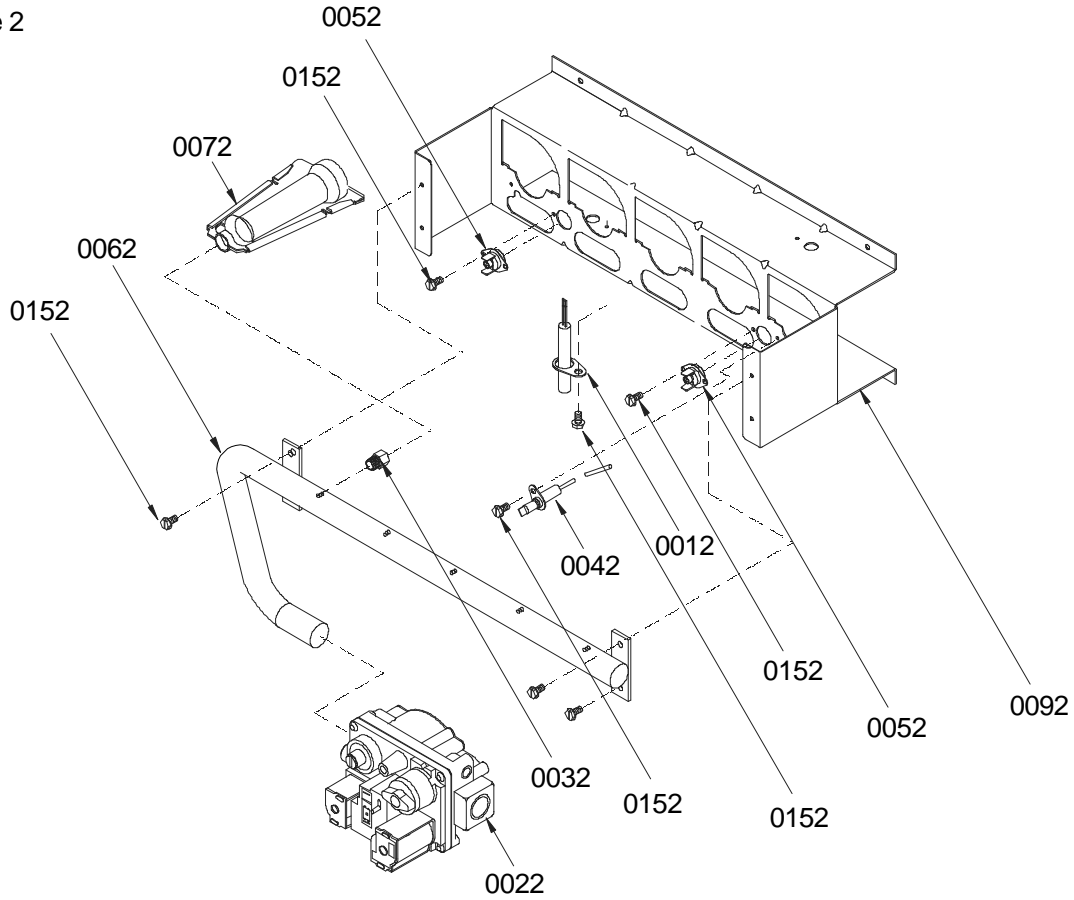


Image 2



Heat Exchanger/Manifold Assembly

| Ref. No: | Part No: | Description: | Ref. No: | Part No: | Description: |
|----------|----------|--------------|----------|----------|--------------|
|----------|----------|--------------|----------|----------|--------------|

Image 1

| | | |
|------|----------|----------------------------|
| 0301 | 20197305 | SWITCH-PRESSURE (QTY 2) |
| 0321 | 11072201 | SHIELD-ORIFICE (M1) |
| 0321 | 11072202 | SHIELD-ORIFICE (M2, M3) |
| 0321 | 11072203 | SHIELD-ORIFICE (M4, M5) |
| 0321 | 11072204 | SHIELD-ORIFICE (M6) |
| 0371 | 20162903 | LIMIT (M3) |
| 0371 | 20162904 | LIMIT (M1, M2, M4, M5, M6) |
| 0551 | M0219916 | SCREW-SM (QTY AR) |
| 0651 | M0211020 | SCREW-SM (QTY AR) |

Image 2

| | | |
|------|----------|---------------------------------------|
| 0012 | 20165702 | IGNITOR |
| 0022 | C6476907 | VALVE-GAS |
| 0032 | 10716003 | ORIFICE (QTY AR) |
| 0042 | 10735201 | FLAME-SENSOR |
| 0052 | 10123517 | LIMIT (M3) (QTY AR) |
| 0052 | 10123514 | LIMIT-RESET MAN (M1, M2, M4) (QTY AR) |
| 0052 | 10123515 | LIMIT-RESET MAN (M5, M6) (QTY AR) |
| 0062 | 20196401 | MANIFOLD (M1) |
| 0062 | 20196402 | MANIFOLD (M2, M3) |
| 0062 | 20196403 | MANIFOLD (M4, M5) |
| 0062 | 20196404 | MANIFOLD (M6) |
| 0072 | 10735102 | BECKETT BURNER (QTY AR) |
| 0092 | 20190401 | BRKT-BURNER (M1) |
| 0092 | 20190402 | BRKT-BURNER (M2, M3) |
| 0092 | 20190403 | BRKT-BURNER (M4, M5) |
| 0092 | 20190404 | BRKT-BURNER (M6) |
| 0152 | M0219916 | SCREW-SM (QTY AR) |

Expanded Model and Color Nomenclature

| | |
|------------------|-----------|
| M1 - GUCA045AX30 | P1219301F |
| M2 - GUCA070AX30 | P1219302F |
| M3 - GUCA070AX40 | P1219303F |
| M4 - GUCA090AX40 | P1219304F |
| M5 - GUCA090AX50 | P1219305F |
| M6 - GUCA115AX50 | P1219306F |

Recupe Coil Assembly

Image 1

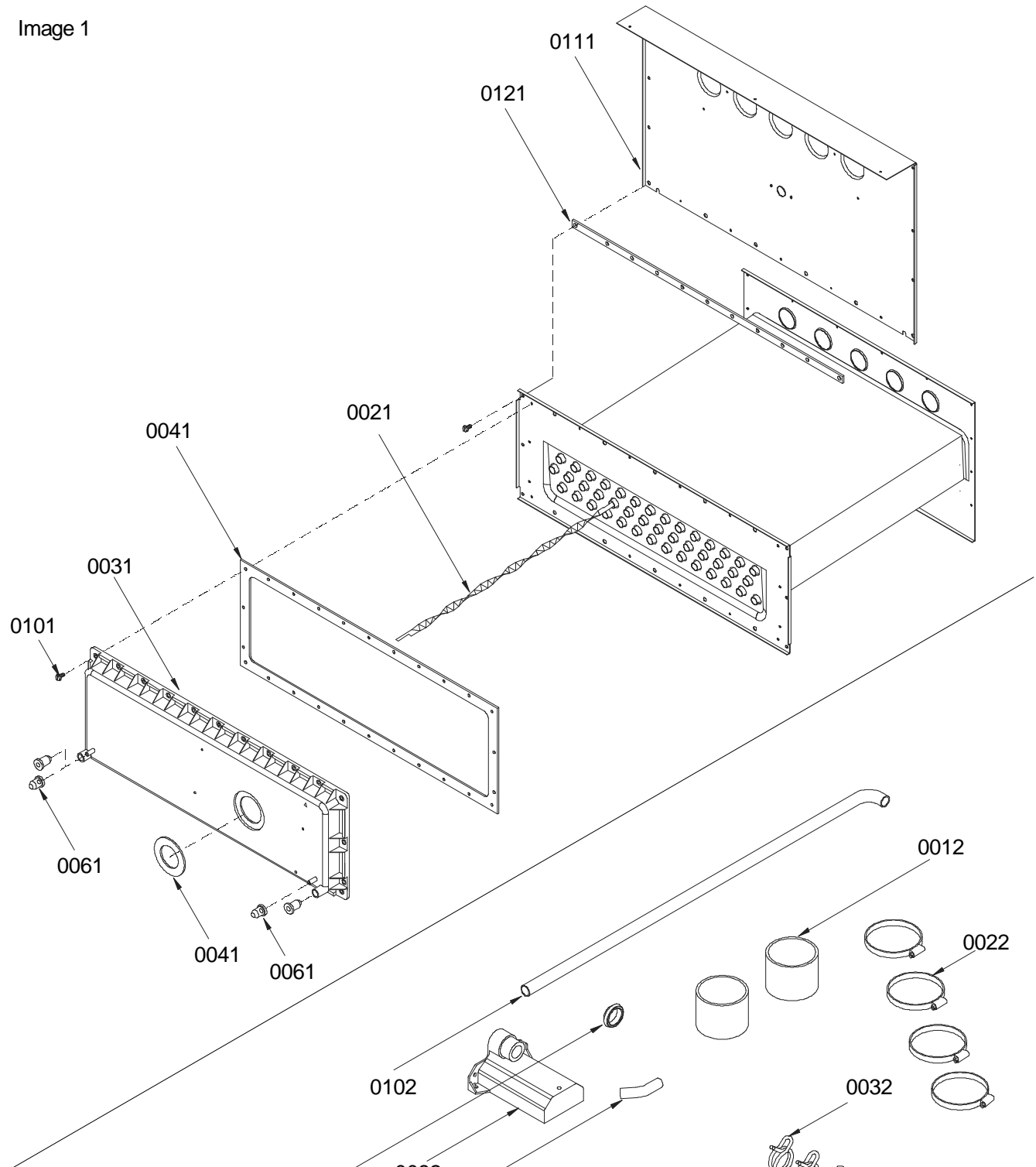
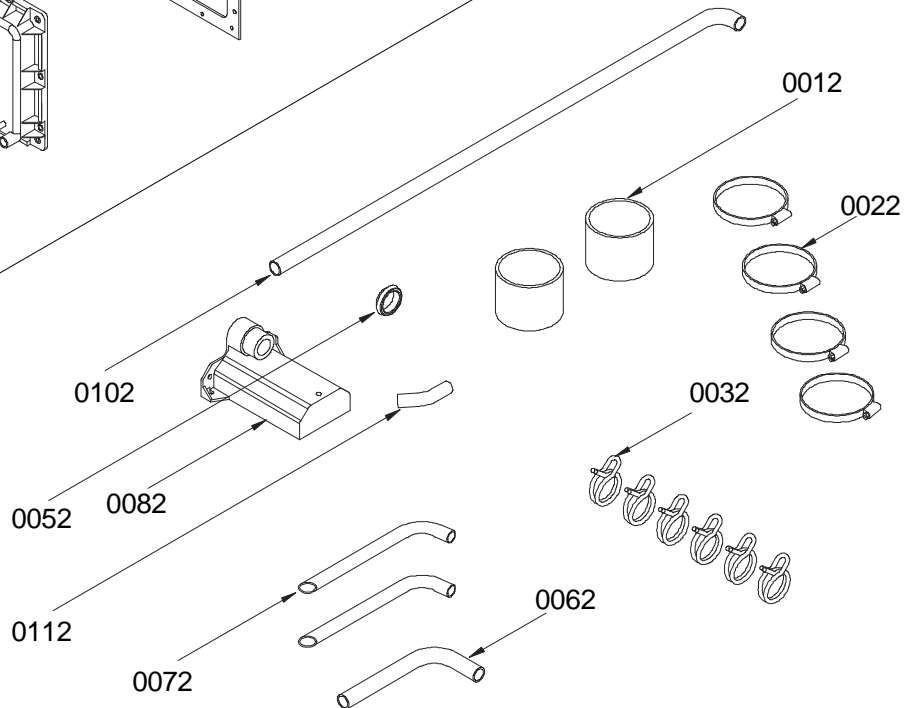


Image 2



Recupe Coil Assembly

| Ref. Part No: | Part No: | Description: | Ref. Part No: | Part No: | Description: |
|---------------|----------|--------------|---------------|----------|--------------|
|---------------|----------|--------------|---------------|----------|--------------|

Image 1

| | | |
|------|----------|----------------------|
| 0021 | 11086005 | TURBULATOR (QTY AR) |
| 0031 | 20170801 | COVER-FRONT (M1) |
| 0031 | 20170802 | COVER-FRONT (M2) |
| 0031 | 20170901 | COVER-FRONT (M3) |
| 0031 | 20170902 | COVER-FRONT (M4) |
| 0031 | 20171001 | COVER-FRONT (M5) |
| 0031 | 20171002 | COVER-FRONT (M6) |
| 0041 | 20215701 | GASKET-COIL (M1, M2) |
| 0041 | 20215702 | GASKET-COIL (M3, M4) |
| 0041 | 20215703 | GASKET-COIL (M5, M6) |
| 0061 | M0326804 | PLUG-TUBE (QTY AR) |
| 0101 | M0211031 | SCREW-SM (QTY AR) |
| 0111 | 20191401 | PANEL-PART 2B (M1) |
| 0111 | 20191402 | PANEL-PART 3B (M2) |
| 0111 | 20191403 | PANEL-PART 3B (M3) |
| 0111 | 20191404 | PANEL-PART 4B (M4) |
| 0111 | 20191405 | PANEL-PART 4B (M5) |
| 0111 | 20191406 | PANEL-PART 5B (M6) |
| 0121 | 20194601 | GASKET (M1, M2) |
| 0121 | 20194602 | GASKET (M3, M4) |
| 0121 | 20194603 | GASKET (M5, M6) |

Image 2

| | | |
|------|----------|---------------------|
| 0012 | 10254303 | COUPLING-RUBBER |
| 0022 | A3326008 | CLAMP-HOSE (QTY AR) |
| 0032 | M0119207 | CLAMP-HOSE (QTY AR) |
| 0052 | M0570804 | PLUG-BUTTON |
| 0062 | 20201901 | HOSE-DRAIN |
| 0072 | 20201801 | TUBE-DRAIN (QTY AR) |
| 0082 | 20171701 | DRAIN TRAP |
| 0102 | 20201902 | HOSE-DRAIN |
| 0112 | 20214201 | DRAIN-ANGLE |

Expanded Model and Color Nomenclature

| | |
|------------------|-----------|
| M1 - GUCA045AX30 | P1219301F |
| M2 - GUCA070AX30 | P1219302F |
| M3 - GUCA070AX40 | P1219303F |
| M4 - GUCA090AX40 | P1219304F |
| M5 - GUCA090AX50 | P1219305F |
| M6 - GUCA115AX50 | P1219306F |