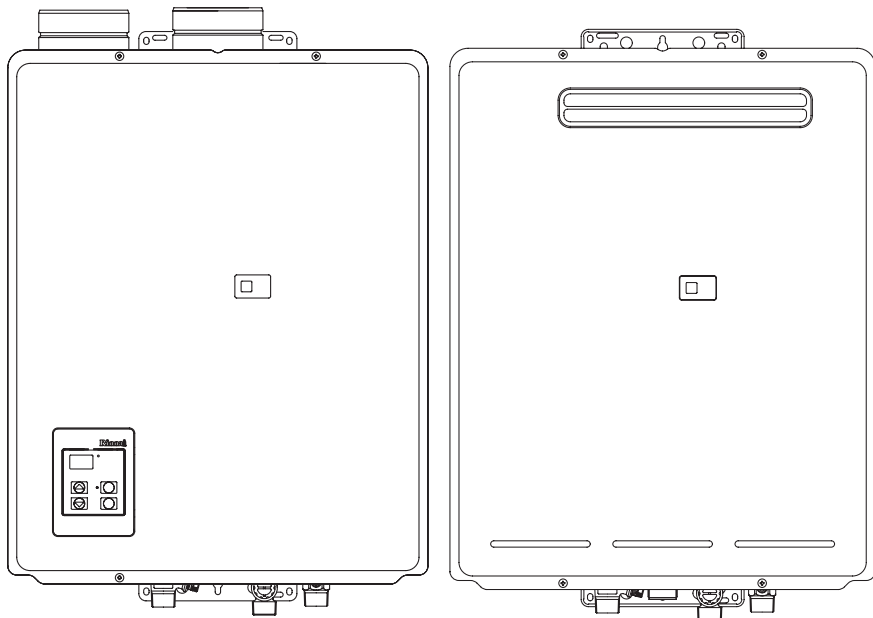


Rinnai®

Operation / Installation Manual



To Suit Models:

R98i REU-V3237FFU
REU-V3237FFU-ASME

C98i REU-V3237FFUC
REU-V3237FFUC-ASME

R98e REU-V3237W
REU-V3237W-ASME

C98e REU-V3237WC
REU-V3237WC-ASME

(Residential and Commercial for indoor and outdoor unit)

ANS Z21.10.3 CSA 4.3



WARNING: If the information in these instructions is not followed exactly, a fire or explosion may result causing property damage, personal injury or death.

- Do not store or use gasoline or other flammable vapors and liquids in the vicinity of this or any other appliance.
- **WHAT TO DO IF YOU SMELL GAS**
 - Do not try to light any appliance.
Do not touch any electrical switch; do not use any phone in your building.
Immediately call your gas supplier from a neighbor's phone.
Follow the gas supplier's instructions.
 - If you cannot reach your gas supplier, call the fire department.
- Installation and service must be performed by a qualified installer, service agency or the gas supplier.

C O N T E N T S

Specifications	3
Limited Warranty	4,5
Owner's Installation Information	6
Features of Your New Water Heater	7
Safety Considerations	8
Basic Operation	9
General Controller Information	10
Remote Controller Operation	11
Deluxe Controllers	12,13,14,15,16
Controllers Set Pattern/Temperature Tables	17
Error Messages	18,19
Maintenance & Service Information	20,21,22,23
Trouble Shooting and Common Questions	24
For Your Safety Read Before Operating	25
Operating Instructions	25,26
Care & Lime Condition Warning	26
Installer's Instructions	27-50
Notes	51

S P E C I F I C A T I O N S

Unless otherwise indicated model designations include both non-ASME and ASME models

Model		V3237FFU	V3237FFUC	V3237W	V3237WC
Minimum Gas Consumption Btu/h		19,000			
Maximum Gas Consumption Btu/h		237,000			
Hot water capacity, (50°F rise)		0.6 to 8.0 GPM			
Hot water capacity, (35°F rise)		0.9 to 9.8 GPM			
Factory Temperature Setting (no Controller)		120°F	140°F	120°F	140°F
Default Controller Temperature Setting		104°F	140°F	104°F	140°F
Maximum Temperature Setting		140°F	185°F	140°F	185°F
Minimum Temperature Setting		98°F			
Weight		55 Lbs.			
Efficiency	Natural Gas	80%		82%	
Rating	Propane	84%		85%	
Noise level		49 dB (A)			
Electrical Consumption	Normal	99 watts		72 watts	
	Standby (1 controller ON)	2 watts			
	Anti-frost Protection	116 watts			
By-Pass Control		Electronic			
Minimum Gas Supply Pressure	Natural Gas	6" W.C.			
	Propane	10" W.C.			
Maximum Gas Supply Pressure	Natural Gas	10.5" W.C.			
	Propane	13.5" W.C.			
Type of Appliance		Temperature controlled continuous flow gas hot water system.			
Operation		With or without remote controls, mounted in kitchen, bathroom, etc.			
Exhaust System		Direct Vent - Forced Combustion			
Approved Gas Type		Natural Gas or Propane - Ensure unit matches gas type it's being installed on.			
Service Connections		Gas Supply: 3/4" MNPT, Cold Water Inlet: 3/4" MNPT, Hot Water Outlet: 3/4" MNPT			
Ignition System		Direct Electronic Ignition			
Electric Connections		Appliance: AC 120 Volts, 60Hz. Remote Control: DC 12 Volts (Digital)			
Water Temperature Control		Simulation Feedforward and Feedback.			
Water Supply Pressure		Minimum Water Pressure: 15 PSI (Recommended 30-80 PSI for maximum performance)			
Maximum Water Supply Pressure		150 PSI			
Remote Control Cable		Non-Polarized Two Core Cable			
Safety Devices	Flame Failure - Flame Rod				
	Boiling Protection - 210°F				
	207°F Bi-Metal Switch Over Heat Temperature Protection				
	Thermal Fuse 264°F				
	Automatic Frost Protection - Bi-Metal Sensor & Anti-Frost Heaters				
	Combustion Fan RPM Check - Integrated Circuit				
	Over Current - Glass Fuse (3 amp)				



Rinnai is continually updating and improving products, therefore, specifications are subject to change without prior notice. Local, state, provincial and federal codes must be adhered to prior to installation.

LIMITED WARRANTY

Rinnai Water Heater

Warranty121205COMM-V2

WHAT IS COVERED?

This Warranty covers any defects in materials or workmanship when the product is installed and operated according to Rinnai written installation instructions, subject to the terms within this limited warranty document. This Warranty applies only to products that are installed by a state qualified or licensed contractor. Improper installation may void this Warranty. Rinnai strongly suggests that you use an installer who has attended a Rinnai product knowledge class before installing this water heater. This Warranty extends to the original purchaser and subsequent owners, but only while the product remains at the site of the original installation. This Warranty only extends through the first installation of the product and terminates if the product is moved or reinstalled at a new location.

HOW LONG DOES COVERAGE LAST?

Item	Period of Coverage	
	Commercial	Residential
Heat Exchanger	5 Years *	10 Years *
All other Parts and Components	5 Years *	5 Years *
Reasonable Labor	1 Year	

*Important

Period of coverage is 3 years from date of purchase when used as a circulating water heater within a hot water circulation loop, when the water heater is in series with a circulation system and all circulating water flows through the water heater.

WHAT WILL RINNAI DO?

Rinnai will repair or replace the product or any part or component that is defective in materials or workmanship, except as set forth below: Rinnai will pay reasonable labor and shipping costs to repair the product. All repairs must be performed using genuine Rinnai parts. All repairs or replacements must be performed by an individual or servicing company that is state qualified or licensed to do this type of repair.

Replacement of the product or replacement of the heat exchanger may be authorized by Rinnai only. Rinnai does not authorize any person or company to assume for it any obligation or liability in connection with the replacement of a product or heat exchanger. If Rinnai determines that repair of a product is not possible, Rinnai will replace the product with a comparable product, at Rinnai's discretion. If a component or product returned to Rinnai is found to be free of defects in material or workmanship, or damaged by improper installation or damaged during return shipping, the warranty claim for product, parts and labor may be denied.

LIMITED WARRANTY

Rinnai Water Heater

Warranty121205COMM-V2

HOW DO I GET SERVICE?

Simply contact a qualified Service Dealer or Installer for the repair of products under this Warranty. **Failure to use a qualified Service Dealer or Installer to provide repair service may void the Warranty.** For the name of the qualified Service Dealer or Installer nearest you, please contact the company that installed the water heater, or;

- Your local HVAC/plumbing dealer, gas service technician or place of purchase
- Visit the Rinnai website www.rinnai.us
- Call Rinnai at 1-800-621-9419 or write to Rinnai, 103 International Drive, Peachtree City, Georgia 30269

Proof of purchase is required to obtain warranty service. You can show proof of purchase with a dated sales receipt, by completing and mailing the enclosed Warranty registration card within 30 days of purchasing the product or by registering online at www.rinnai.us . **Please complete the Warranty registration either online or mail it to Rinnai at the address shown on the card.**

Receipt of warranty registration by Rinnai will constitute proof-of-purchase for this product. However, Warranty registration is not necessary in order to validate this Warranty.

WHAT IS NOT COVERED?

This Warranty does not cover any failures or operating difficulties due to accident, abuse, misuse, alteration, misapplication, acts of God, improper installation, improper maintenance or service, inadequate water quality, scale buildup, freeze damage or for any other causes other than defects in materials or workmanship. This warranty does not apply to any product whose serial number or manufacture date has been defaced. This Warranty does not cover any product when used as a pool or spa heater. (See Water Quality in Care & Lime Section.)

Rinnai is not liable for any special, incidental, indirect or consequential damages that may arise, including damage to person or property, loss of use, failure to install drain pan under unit, or inconvenience. Some states do not allow the exclusion or limitation of incidental or consequential damages, so the above limitation may not apply to you.

LIMITATION ON IMPLIED WARRANTIES

Any implied warranties of merchantability and fitness arising under state law are limited in duration to the period of coverage provided by this limited Warranty, unless the period provided by state law is less. Some states do not allow limitations on how long an implied Warranty lasts, so the above limitation may not apply to you.

This Warranty gives you specific legal rights, and you may also have other rights which vary from state to state.

OWNER'S INSTALLATION INFORMATION



REU-V3237FFU-ASME

REU-V3237FFUC-ASME



REU-V3237W-ASME

REU-V3237WC-ASME

These models have been built in accordance with the requirements of the ASME Boiler and Pressure Vessel Code and have received the Certificate of Authorization from the National Board. The heat exchangers on these units have the NB and the HLW stamps.

*All Rinnai water heater(s) **SHOULD** be installed by a state qualified or licensed contractor. Failure to comply with state and local codes pertaining to water heater installation may void the warranty on your new water heater(s). It is the responsibility of the person having the water heater installed to ensure the installer has proper licences and permits for installing water heater(s) in your location. In addition to licensing and permits, Rinnai encourages all installing contractors to attend a product knowledge class before installing any of our water heaters to help insure maximum customer satisfaction and maximum warranty coverage.*

This appliance must be installed in accordance with local codes, or in the absence of local codes, the National Fuel Gas Code, ANSI Z223.1/NFPA 54 and/or the CSA B149.1, Natural Gas and Propane Installation Code.

***FOR INDOOR UNITS:** These models have the “FFU” designation **ONLY** Install this product indoors, **DO NOT** install outdoors.*











***FOR OUTDOOR UNITS:** These models have the “W” designation*

***ONLY** Install this product outdoors, **DO NOT** install indoors.*

Do Not use this appliance if any part has been underwater. Immediately call a qualified service technician to inspect the appliance and to replace any part of the control system and any gas control which has been underwater.

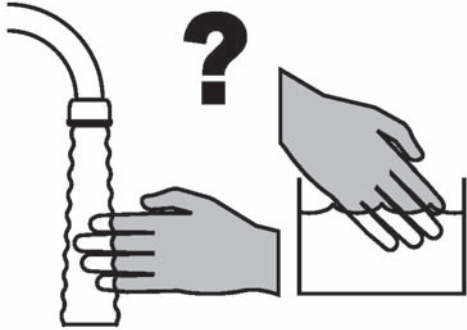
Detailed instructions on the proper installation practices to follow for the installation of your new hot water heater are included at the back of this manual.

FEATURES OF YOUR NEW WATER HEATER

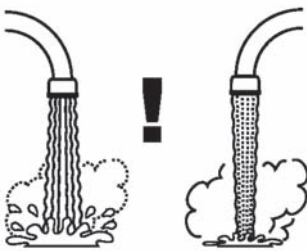
-  The Rinnai is one of the most advanced water heaters available. It supplies hot water continuously at the temperature preset in the unit or at the temperature set on the optional remote controller(s). Installation of remote controllers are recommended for optimum functionality.
-  The Rinnai never runs out of hot water, while electricity, water and gas supplies are connected. The Rinnai produces hot water whenever the hot water tap is open.
-  The gas burner lights automatically when the hot water tap is opened and shuts off when the tap is closed. Ignition is electronic, there is no pilot light. When the hot water tap is off, no gas is used, you save energy and money with the Rinnai.
-  The temperature of the outgoing hot water is constantly monitored by a built in sensor. If the temperature of the outgoing water rises to more than 6°F above the selected temperature (shown on the digital remote controller) the gas burner automatically shuts off. The gas burner will re-ignite once the outgoing hot water temperature falls below the selected temperature.
-  Built into the microprocessor of the Rinnai is the ability to LIMIT THE MAXIMUM TEMPERATURE of the hot water supplied by the Rinnai Water Heaters. Without the connection of a remote controller(s), the Rinnai Water Heater is preset to deliver water at 120°F (Residential) and 140°F (Commercial).
-  Residential Unit: With the remote controller(s) the water temperature is adjustable from 98°F to 140°F. **The water temperature cannot be set to a temperature other than 120°F without the use of a remote controller unit.**
-  Commercial Unit: With the remote controller the water temperature is adjustable up to 185°F. **The water temperature cannot be set to a temperature other than 140°F without the use of a remote controller unit.**
-  Error messages are displayed on the remote controllers, simplifying service calls.
-  The Rinnai Water Heater is a very compact device, saving valuable floor and wall space.
-  The Rinnai Water Heater incorporates a device to minimize temperature fluctuations (cold water sandwich effect) when the water is shut off, then turned on again. This effect can be eliminated by installing Rinnai Water Heaters with a circulation loop and a small storage tank.

SAFETY CONSIDERATIONS

Always check water temperature by hand before entering the shower or bath. The temperature may have been changed.



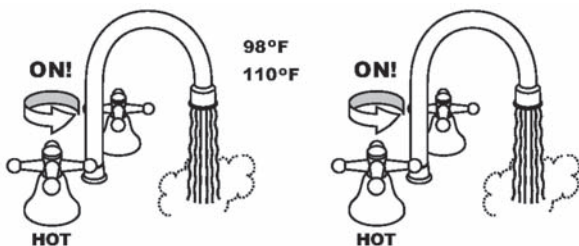
The Rinnai Water Heater controls the water temperature automatically. To do this, it sometimes needs to change the water flow accordingly. The water flow from the hot water tap may vary after the selected temperature at the remote controller(s) is altered. The water flow may also vary from summer to winter, as incoming water temperatures differ.



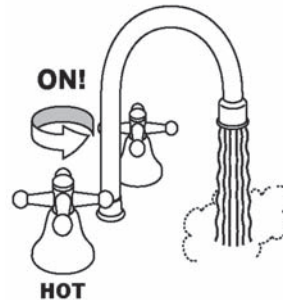
Summer 60°F
Incoming water

Winter 40°F
Incoming water

The water temperature can only be adjusted between 98°F and 110°F when the hot water tap is open, and hot water is flowing.



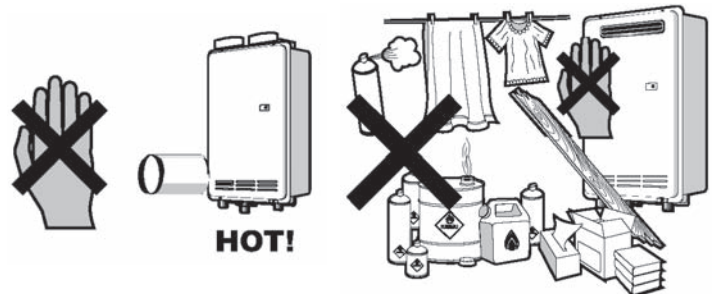
Depending on the weather conditions and the length of the pipe between the Rinnai Water Heater and the tap in use, there may be a variation between the temperatures displayed at the Remote Controller(s) and the temperature of the water at the tap.



Do not clean Remote Controller(s) with solvents. Use a soft damp cloth.



The vent/air intake should be positioned away from flammable materials, trees, shrubs, etc.




Do not connect the vent to natural draft vents or fireplaces, the indoor unit can only be used with an approved vent kit and components. Do not vent unit into other rooms. The Vent termination must be located outside.

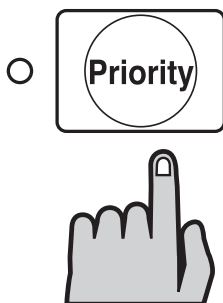
BASIC OPERATION

1 Adjusting Temperature


The outlet water temperature of the Rinnai Water Heater can only be adjusted using the remote controller(s). To adjust the setpoint temperature of the Rinnai Water Heater above the 110 °F, all hot water taps must be closed, and all circulating pumps turned off (where applicable). The temperature displayed on this remote controller will also be displayed on all other Remote Controller(s).

 **NOTE** TEMPERATURE CAN ONLY BE ADJUSTED BETWEEN 98°F AND 110°F WHEN ANY HOT WATER TAP IS OPEN.


2 To take control of the Rinnai Water Heater, all hot water taps must be closed. Press the "Priority" button on the Controller you want to set the temperature with, and the "Priority" indicator light will glow. This

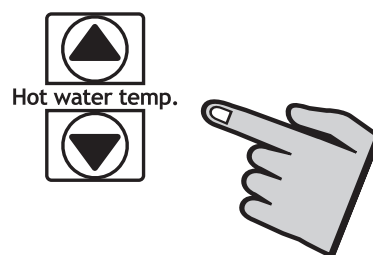



indicates that the Rinnai Water Heater is ready to supply hot water at the set temperature as soon as a tap is opened. Note: The Rinnai water heater will not provide hot water instantly at the hot water fixtures. Any cold water existing in the hot water lines must be purged first.

 **WARNING** Check water temperature before entering shower or bath.

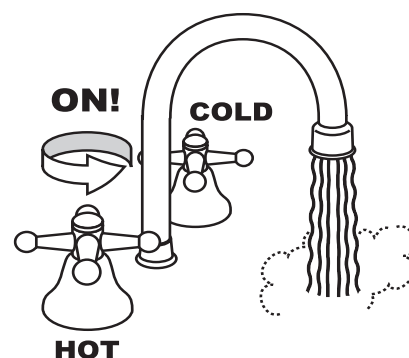
3 Simply press the ▼ or ▲ button until the desired temperature is displayed on the Digital Monitor.

 **WARNING** There is a hot water scald potential if the thermostat is set to high.



 **NOTE** CHECK LOCAL CODES FOR THE MAXIMUM WATER TEMPERATURE SETTING ALLOWED WHEN USED IN NURSING HOMES, SCHOOL, DAY CARE CENTERS AND ALL OTHER PUBLIC APPLICATIONS.

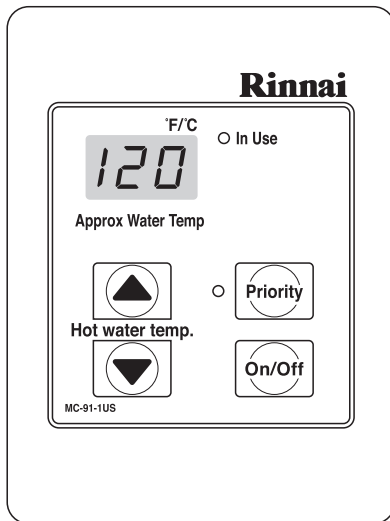
4



To operate the Rinnai Water Heater simply turn any hot water tap on. This will automatically light the burner providing hot water at the preset temperature. If the optional remote controller(s) have been installed, the "IN USE" indicator will glow on all remote controller(s).

GENERAL CONTROLLER INFORMATION

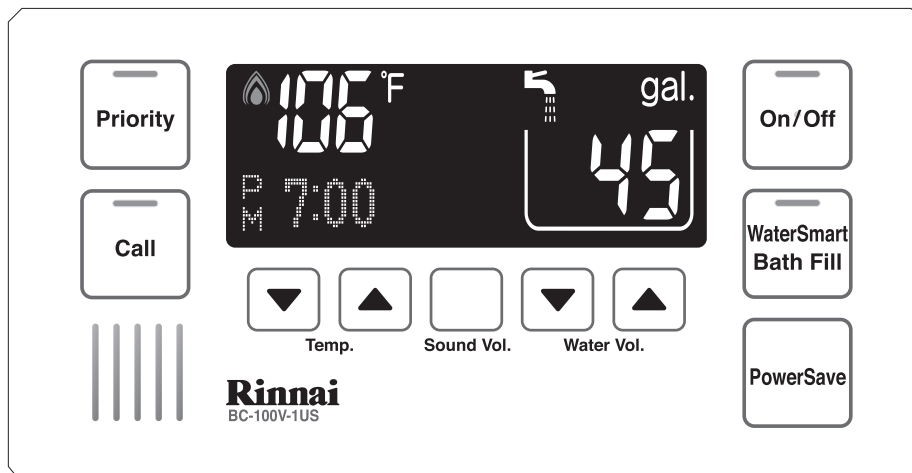
REMOTE CONTROLLERS IDENTIFICATION



MC-91-1US (comes with the unit)



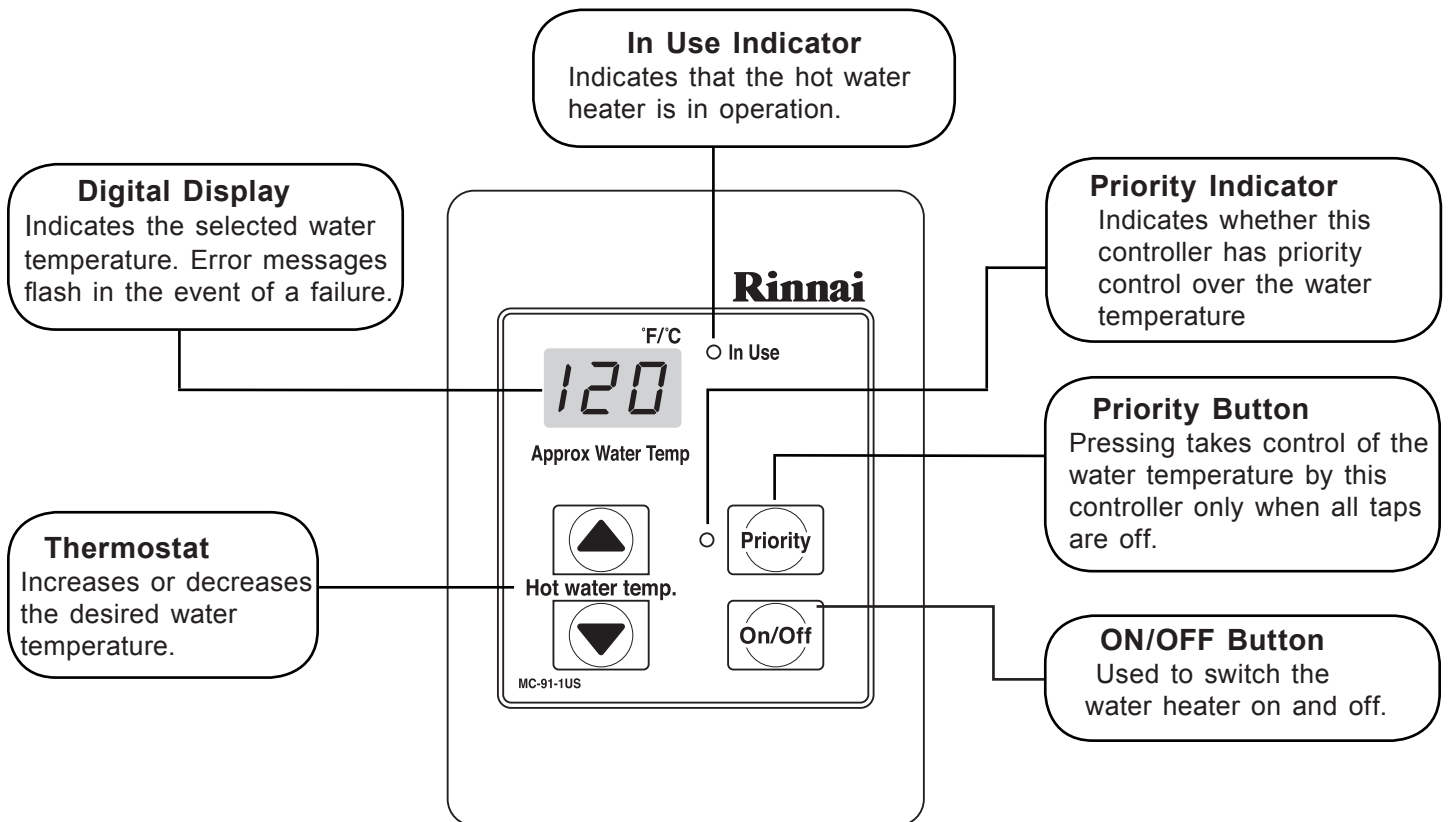
MC-100V-1US (optional)



BC-100V-1US (optional)

The controller(s) for the Rinnai water heaters allow the customer to control the functions of the water heater and to diagnose certain fault conditions.

REMOTE CONTROLLER OPERATION



Diagnostic Use of Controller

1. To Display Maintenance Codes: Press the 'On/Off' button once to turn the controller off. Press and hold the 'On/Off' button followed by ▲ thermostat button to cycle through the maintenance codes.
2. To Display Water Flow through the water heater: Press the ▲ thermostat button and hold for 2 seconds and then press the 'On/Off' button while continuing to hold the ▼ thermostat button.
3. To Display Outlet Water Temperature: Press the ▼ thermostat button and hold for 2 seconds and then press the 'On/Off' button while continuing to hold the ▲ thermostat button.

To Change the Temperature Display from °F to °C (or °C to °F)

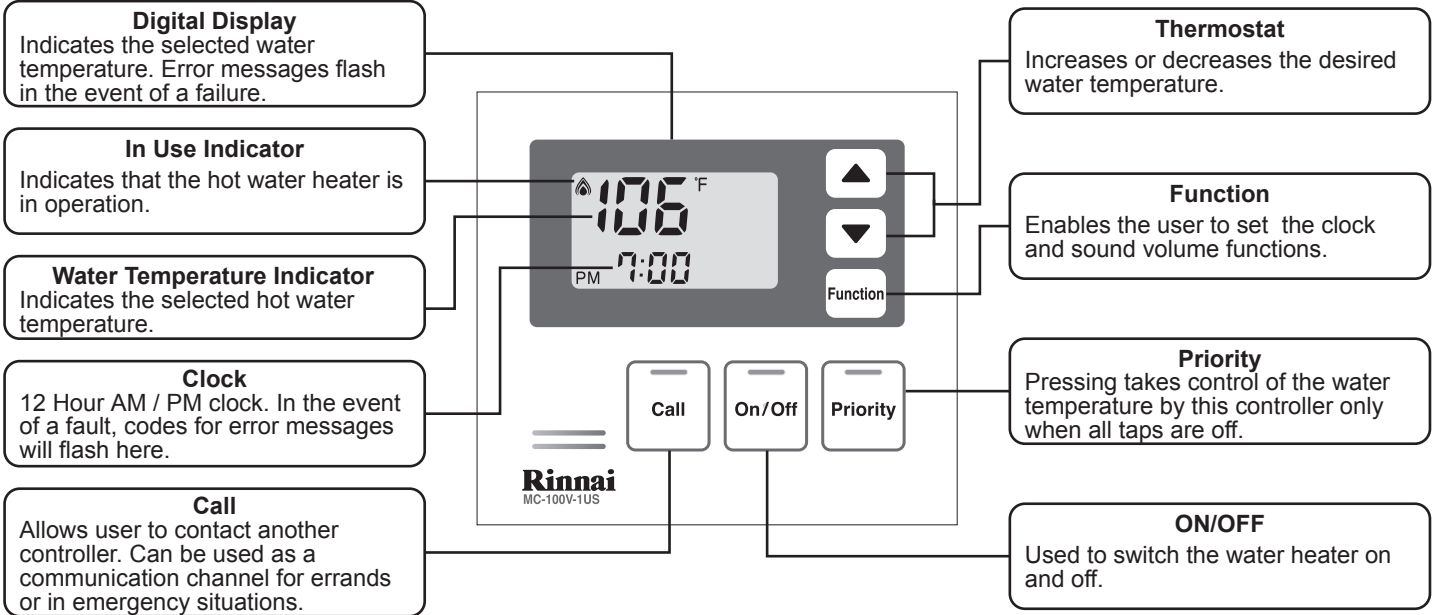
1. Press the 'On/Off' button once to turn the controller unit off. With the controller off press and hold the 'On/Off' button until the display changes to °C (°F), approximately 5 seconds.

To Turn Off the Sound (Mute)

1. To turn the sound off (mute) press and hold both the ▲ and ▼ thermostat buttons until an audible "beep" is heard, approximately 5 seconds.

DELUXE CONTROLLER

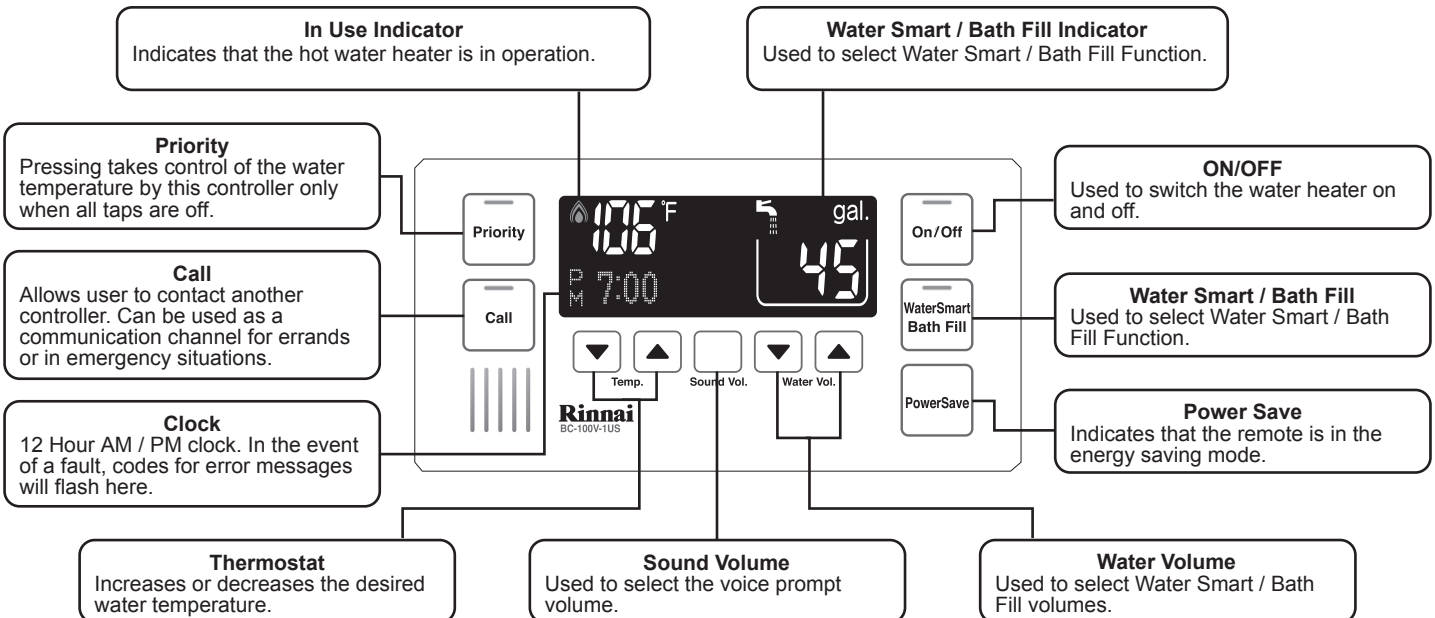
ABOUT THE DELUXE CONTROLLER (MC-100V-1US)



With power interruption, water heater will automatically default to the ON position to provide hot water.

DELUXE BATHROOM CONTROLLER

ABOUT THE DELUXE BATHROOM CONTROLLER (BC-100V-1US)



DELUXE CONTROLLER

Setting The Sound Volume

Press the “Function” Button, the default voice prompt sound volume is set at medium. Each subsequent press of the ▲ and ▼ Button will cycle through the available volume settings in the following order: High Voice - Off Voice (beep) - Off Sound (no beep) - Low Voice - Medium Voice.

Setting The Clock (MC-100V Deluxe Controller ONLY)

The clock is a 12 hour AM/PM style display. To set the time, press the “Function” Button twice within 10 seconds. Press the ▲ and ▼ Buttons to adjust the time. When you get close to the time you wish to set, press the button intermittently to avoid going further than the desired time.

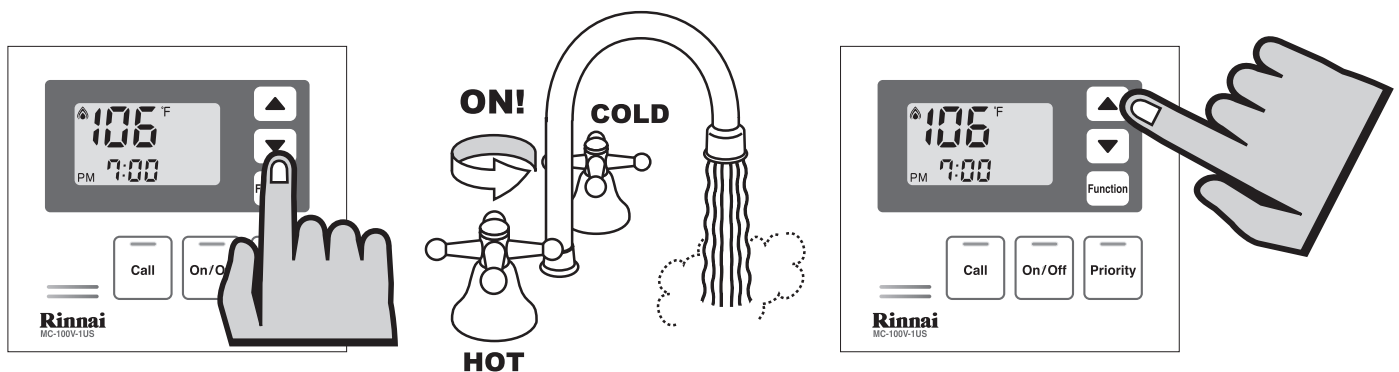
Press the ‘Function’ Button again to complete setting the clock and return to normal operation.

Adjusting Temperature

Simply press the ▲ and ▼ buttons until the desired temperature is displayed on the Digital Display.

To operate the hot water unit, open any hot water tap. This will automatically light the burner providing hot water. The 🔥 “In Use” Indicator will illuminate on the Temperature Controller.

Once the hot water heater is in operation, if the set temperature is either too hot or cold, press the ▲ or ▼ buttons until the desired temperature is reached.

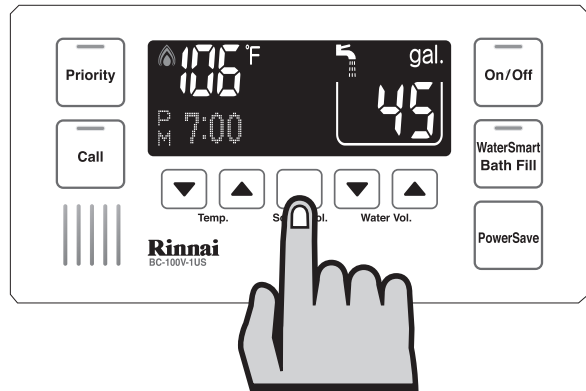


TEMPERATURE CAN ONLY BE ADJUSTED BETWEEN 98°F AND 110°F WHEN ANY HOT WATER TAP IS OPEN.

DELUXE BATHROOM CONTROLLER

Setting the Sound Volume

The voice prompt sound volume for all Deluxe Controllers can be set individually. Press the “Sound Vol.” button. The default voice prompt sound volume is set at medium. Each subsequent press of the “Sound Vol.” will cycle through the available volume settings in the following order: High Voice - Off Voice (beep) - Off Sound (no beep) - Low Voice - Medium Voice.

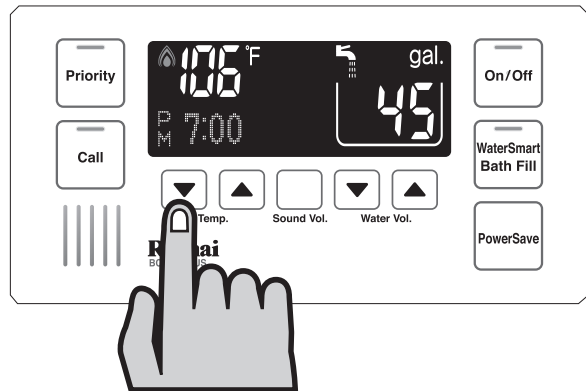


Adjusting Temperature

Simply press the “Hot water temp.” ▲ or ▼ buttons until the desired temperature is displayed on the Digital Display.

To Operate the product, open any hot water tap. This will automatically light the burner providing hot water. The 🔥 “In Use” Indicator will illuminate on the Temperature Controller.

Once the hot water is running, if the set temperature is either too hot or cold, press the “Hot water temp.” ▲ or ▼ buttons until the desired temperature is reached.



NOTE TEMPERATURE CAN ONLY BE ADJUSTED BETWEEN 98°F AND 110°F WHEN ANY HOT WATER TAP IS OPEN.



WARNING A responsible adult should always check the water temperature before a child or infirm person is placed in contact with hot water.



NOTICE Avoid getting water in the Controller(s) speaker as this may cause damage.

DELUXE BATHROOM CONTROLLER



IT IS THE CUSTOMERS RESPONSIBILITY TO MONITOR THE BATH FILL REMOTE CONTROLLER FUNCTIONS.

OPERATING THE WATER SMART / BATH FILL FUNCTION

The “Water Smart / Bath Fill” function allows a preset water volume and temperature to be selected and run automatically.



Initial Settings

When you press the ‘Water Smart / Bath Fill’ Button, a Shower / Bath Water Volume will appear on the indicator. When a deluxe bathroom controller(s) is first turned on, the default shower / bath fill water volume is set to 25 gallons. The shower / bath water volume can be lowered to a minimum of 10 gallons or raised to a maximum of 120 gallons.

Programming Shower / Bath Volume and Temperature

With the system on, select a Deluxe Bathroom controller(s) and ensure that it currently has priority. If it does not have priority, press the ‘Priority’ button once. The “Priority” button will illuminate.

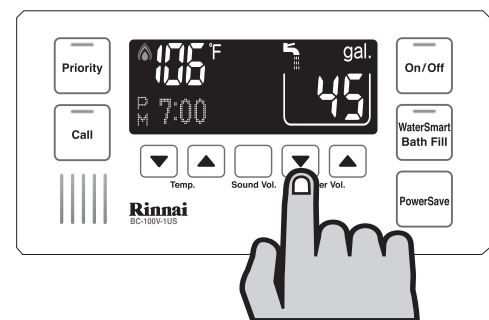
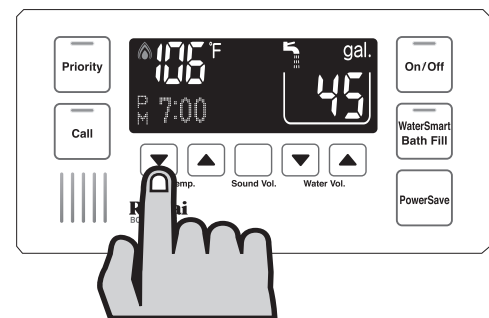
To select the desired delivery temperature, use the “Temp.” ▲ or ▼ buttons.

The selected temperature will be displayed on the bathroom controller monitor and will remain as the default temperature until it is changed.

To select the volume of water to be used by the shower / bath, use the “Water Vol.” ▲ or ▼ buttons.

The selected water volume is numerically displayed at the right of the controller monitor.

When filling a bath for the first time, it is recommended that a low bath fill water volume such as 25 gallons or lower (if available) be used. During any subsequent bath fills, the volume can then be adjusted to suit your known bath water volume and / or desired fill level.



Be careful not to overfill the bath. It is recommended that when filling a bath for the first time you should:

- Remain by the bath during the filling process.
- Use a low bath fill volume such as 25 gallons or less.

The “Water Smart / Bath Fill” function is unavailable with the MSA Controller System.

DELUXE BATHROOM CONTROLLER


Using Water Smart / Bath Fill

Press “Water Smart / Bath Fill” button once. The “Water Smart / Bath Fill” button will illuminate and a tone will sound. The “Bath” indicator will also be displayed in the Kitchen Controller Monitor (Deluxe Models ONLY).



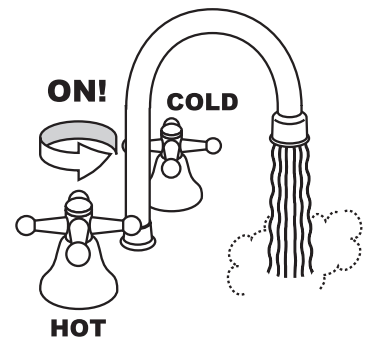
The voice prompt will say “The hot water system is ready. Open the hot water tap”.

Open the hot water tap for the relevant shower or bath.

The “In Use” indicator  will illuminate at all Deluxe Temperature Controller(s) and the shower will run or the bath will start to fill.

To Stop Water Smart / Bath Fill Operation

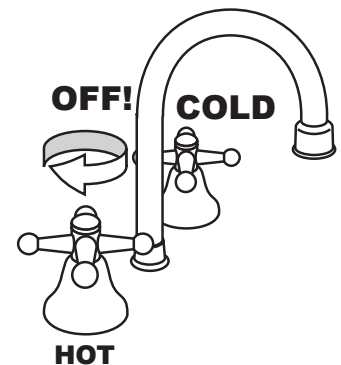
If you wish to stop the water flow after the “Water Smart / Bath Fill” function is selected, simply press the “Water Smart / Bath Fill” button. The “Water Smart / Bath Fill” button will flash and the voice prompt will say “Hot water is not available, turn off all hot water taps and push the Bath Fill button”. Follow the voice prompt instructions.



When Water Smart / Bath Fill Operations Finishes

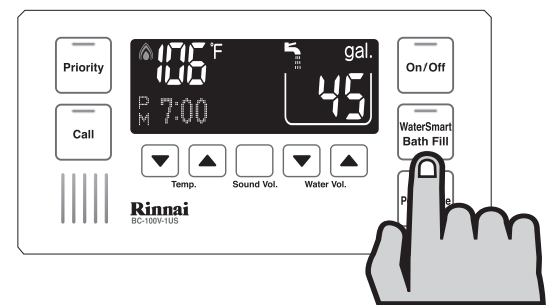
Once the “Water Smart / Bath Fill” operation finishes, the following events will occur:

1. The flow from the shower / bath hot water tap will cease.
2. The “Water Smart / Bath Fill” button will flash.
3. The Kitchen Controller ‘Bath’ indicator will flash (Deluxe Models)
4. A tone will sound.
5. The voice prompt will say “Bath fill is complete. Turn off the bath hot water tap and push the “Bath Fill” button.



Follow the voice prompts instructions. Note that the hot water unit will not allow hot water to flow from any fixture until the ‘Water Smart / Bath Fill’ button has been changed.

6. The “Water Smart / Bath Fill” Button light on the Bathroom Controller and the “Bath” indicator on the Kitchen Controller monitor will go out.



COMBINING CONTROLLERS AND DELUXE CONTROLLERS

Controller and Deluxe Controller can be combined and will function as described in other sections of this manual. Refer to the Temperature Table page to confirm the maximum number and combination of controllers that can be fitted to all water heater models. When using two Deluxe controllers, only one Controller MC-100V-1US can be installed.

CONTROLLERS SET PATTERN/TEMPERATURE TABLES

Temperature Controllers allows precise temperature control by the user. When used correctly, the hot water unit will deliver the selected temperature, even when the water flow is varied, or more than one tap is in use. Each Temperature Controller can be individually programmed, however, the water heater unit can only deliver one set temperature at any time. The available temperatures (°F) are as follows:

Temperature Table by Models


Model	Temperature															
REU-V3237FFU REU-V3237W	98	100	102	104	106	108	110	115	120	125	130	135	140	-	-	-
REU-V3237FFUC REU-V3237WC	98	100	102	104	106	108	110	115	120	125	130	135	140	150	160	185
Approx. Temperature (°C)	37	38	39	40	41	42	43	46	49	52	54	57	60	66	71	85

Water Smart / Bath Fill Temperature Table

	Temperature												
Water Smart/ Bath Fill Temperature (°F)	98	100	102	104	106	108	110	112	114	116	118	120	
Approx. Temperature (°C)	37	38	39	40	41	42	43	44	46	47	48	49	

Suggested temperatures are:

Kitchen 120°F, Shower 98°F, Bath fill 102°F



Water Smart / Bath Fill temperature
Cannot exceed 120°F.

These temperatures are suggestions only. You may find higher or lower temperatures more comfortable. Maintaining lower temperatures helps save energy. To obtain water temperatures lower than 98°F, simply add cold water.

Deluxe Controllers are an optional extra. Controllers and Deluxe Controllers can be installed together. Controllers allow temperature selection only. Deluxe Controllers have temperature selection, bath fill and clock functions.

Controllers allow the water temperature to be set from the various locations where they are installed. The temperature selected will be available to all outlets. Below are the combination of Controllers that are offered by Rinnai:

Controllers Combination Pattern

Remote Controllers							
1	MC-91-1US	+	-	+	-	+	-
2	MC-91-1US	+	MC-91-1US	+	-	+	-
3	MC-91-1US	+	MC-91-1US	+	MC-91-1US	+	-
4	MC-91-1US	+	MC-91-1US	+	MC-91-1US	+	** MC-91-1US
5	MC-91-1US	+	BC-100V-1US	+	MC-100V-1US	+	-
6	MC-91-1US	+	MC-91-1US	+	BC-100V-1US	+	MC-100V-1US

****See controller manual in controller carton box for more detailed information.**

ERROR MESSAGES

The Rinnai Water Heater has the ability to check its own operation continuously. If a fault occurs, an Error Message will flash on the Digital Display of the Remote Controller. This assists with diagnosing the fault, and may enable you to overcome a problem without a service call. Please identify the code displayed when inquiring about service.



Failure to remedy faults may result in severe burns, scalds, and/or death.

Error	Faulty	Remedy
02	No burner operation during freeze protection mode	Service Call
03	Power interruption during Bath fill (Water will not flow when power returns).	Turn off all hot water taps. Press ON/OFF twice.
10	Air Supply or Exhaust Blockage	Ensure Rinnai approved venting materials are being used. Check that nothing is blocking the flue inlet or exhaust. Check all vent components for proper connections. Ensure vent length is within limits. Ensure condensation collar was installed correctly. Verify dip switches are set properly. Check fan for blockage.
11	No Ignition	Check that the gas is turned on at the water heater, gas meter, or cylinder. Ensure gas type and pressure is correct. Ensure gas line, meter, and/or regulator is sized properly. Bleed all air from gas lines. Verify dip switches are set properly. Ensure appliance is properly grounded. Disconnect all MSA controls. Ensure igniter is operational. Check igniter wiring harness for damage. Check gas solenoid valves for open or short circuits. Remove burner cover and ensure all burners are properly seated. Remove burner plate and inspect burner surface for condensation or debris.
12	Flame Failure	Check that the gas is turned on at the water heater and gas meter. Check for obstructions in the flue outlet. Ensure gas line, meter, and/or regulator is sized properly. Ensure gas type and pressure is correct. Bleed all air from gas lines. Ensure proper Rinnai venting material was installed. Ensure condensation collar was installed properly. Ensure vent length is within limits. Verify dip switches are set properly. Ensure appliance is properly grounded. Disconnect keypad. Disconnect all MSA controls if installed. Check power supply for loose connections. Check power supply for proper voltage and voltage drops. Ensure flame rod wire is connected. Check flame rod for carbon build-up. Disconnect and re-connect all wiring harnesses on unit and PC board. Check all components for electrical short. Check gas solenoid valves for open or short circuits. Remove burner plate and inspect burner surface for condensation or debris.

ERROR MESSAGES

Error	Faulty	Remedy
14	Thermal Fuse	<p>Check gas type of unit and ensure it matches gas type being used.</p> <p>Check for restrictions in air flow around unit and vent terminal.</p> <p>Check for low water flow in a circulating system causing short-cycling.</p> <p>Ensure dip switches are set to the proper position.</p> <p>Check for foreign materials in combustion chamber and/or exhaust piping.</p> <p>Check heat exchanger for cracks and/or separations.</p> <p>Check heat exchanger surface for hot spots which indicate blockage due to scale build up. Refer to instructions in manual for flushing heat exchanger.</p> <p>Measure resistance of safety circuit.</p> <p>Ensure high fire and low fire manifold pressure is correct.</p> <p>Check for improper conversion of product.</p>
16	Over Temperature Warning	<p>Check for restrictions in air flow around unit and vent terminal.</p> <p>Check for low water flow in a circulating system causing short-cycling.</p> <p>Check for foreign materials in combustion chamber and/or exhaust piping.</p> <p>Check for clogged heat exchanger.</p>
32	Outgoing Water Temperature Sensor Fault	<p>Check sensor wiring for damage.</p> <p>Measure resistance of sensor.</p> <p>Clean sensor of scale build up.</p> <p>Replace sensor.</p>
33	Heat Exchanger Outgoing Temperature Sensor Fault	<p>Check sensor wiring for damage.</p> <p>Measure resistance of sensor.</p> <p>Clean sensor of scale build up.</p> <p>Replace sensor.</p>
34	Combustion Air Temperature Sensor Fault	<p>Check for restrictions in air flow around unit and vent terminal.</p> <p>Check sensor wiring for damage.</p> <p>Measure resistance of sensor.</p> <p>Clean sensor of scale build up.</p> <p>Ensure fan blade is tight on motor shaft and is in good condition.</p> <p>Replace sensor.</p>
52	Modulating Solenoid Valve Signal Abnormal	<p>Check modulating gas solenoid valve wiring harness for loose or damage terminals.</p> <p>Measure resistance of valve coil.</p>
61	Combustion Fan Failure	<p>Ensure fan will turn freely.</p> <p>Check wiring harness to motor for damaged and/or loose connections.</p> <p>Measure resistance of motor winding.</p>
65	Water Flow Servo Faulty (Does not stop flow properly)	<p>Water Flow Servo or wiring faulty. Check Water Flow Servo wiring harness connection.</p> <p>Measure resistance of Water Flow Servo wiring.</p> <p>If blank screen is present on remote control then the Water Flow Servo has shorted out. Unplug Water Flow Servo. If remote lights up and unit starts operating then replace Water Flow Servo.</p>
71	SV0, SV1, SV2, and SV3 Solenoid Valve Circuit Fault	<p>Check wiring harness to all solenoids for damage and/or loose connections.</p> <p>Measure resistance of each solenoid valve coil.</p>
72	Flame Sensing Device Fault	<p>Ensure flame rod is touching flame when unit fires.</p> <p>Check all wiring to flame rod for damage.</p> <p>Remove flame rod and check for carbon build-up; clean with sand paper.</p> <p>Check inside burner chamber for any foreign material blocking flame at flame rod.</p> <p>Measure micro amp output of sensor circuit with flame present.</p> <p>Replace flame rod.</p>
LC (00)	Scale Build-up in Heat Exchanger (when checking maintenance code history "00" is substituted for "LC")	<p>Flush heat exchanger. Refer to instructions in manual.</p> <p>Replace heat exchanger.</p>
No code	Nothing happens when water flow is activated.	<p>Clean inlet water supply filter.</p> <p>On new installations ensure hot and cold water lines are not reversed.</p> <p>Check for bleed over. Isolate unit from building by turning off hot water line to building. Isolate the circulating system if present. Open your pressure relief valve; if unit fires, there is bleed over in your plumbing.</p> <p>Ensure you have at least the minimum flow rate required to fire unit.</p> <p>Ensure turbine spins freely.</p> <p>Measure the resistance of the water flow control sensor.</p> <p>Remote control does not light up but you have 12 VDC at the terminals for controls.</p>

MAINTENANCE & SERVICE INFORMATION

MAINTENANCE SUGGESTIONS

This water heater has been designed and constructed for a long performance life when installed and operated properly under normal conditions. Regular inspections, as outlined in this section, are strongly recommended as a means of keeping your heater operating efficiently.

Consideration should be given to periodic maintenance of scale removal in applications where the water hardness quality is elevated and the water heater runs for extended periods such as in commercial applications or applications with circulating loops.

1. Cleaning

The water heater should be cleaned annually.

Keep the water heater clear of dust and debris especially in and around burner.

Cleaning procedures for the Rinnai are as follows:

- 1) Turn off and disconnect electrical power. Allow to cool for one hour.
- 2) Remove the Front Panel by removing screws. See parts breakdown on panels.
- 3) Use pressurized air to remove dust from around main burner.
- 4) Use soft dry cloth to wipe cabinet.

DO NOT DAMAGE OR DISTORT ANY PARTS OF HEATER.

DO NOT USE WET CLOTH OR SPRAY CLEANERS ON BURNER.

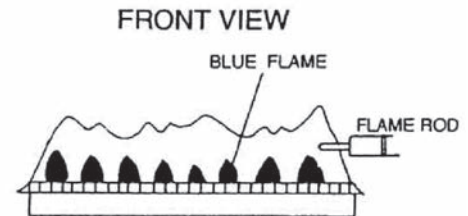
2. Visual check of main burner flames.

The burner must flame evenly over the entire surface when operating correctly. The flame must burn with a clear, blue, stable flame. See the parts breakdown of the burner for the location of view ports. Any and all parts removed for inspection or service must be replaced before operating the unit.

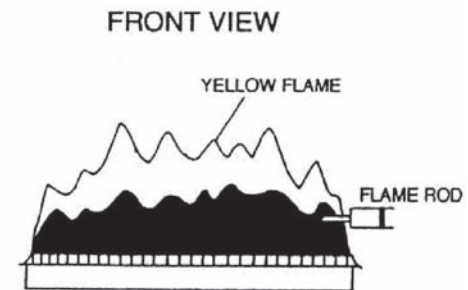
The flame pattern should be as shown in the following Figures.

VISUAL CHECK

SATISFACTORY



UNSATISFACTORY



- * VENT MAINTENANCE
- * VENT SYSTEM
Must be checked annually for blockage or deterioration. See vent installation instructions.
- * MAINTENANCE-ELECTRIC MOTORS
Motors are permanently lubricated and need no lubrication. Keep fan and motor free of dust and dirt, clean annually.

MAINTENANCE & SERVICE INFORMATION



Always turn off the electrical power supply, the manual gas valve and the manual water control valve whenever servicing the unit.



The Rinnai Water Heater should be checked by a Properly Trained Technician once a year. A Properly Trained Technician should perform any repairs that may be necessary.

The following items should be checked during each inspection:

- 1) The area around the Rinnai Water Heater should be free from combustible materials such as cloth, vegetation and building materials. (see page 8).
- 2) Check burners for presence of foreign debris, insect, or bugs. These items are not covered by the unit's warranty.
- 3) Remove and clean the inlet water filter.
- 4) Keep the appliance area clear and free from combustible materials, gasoline, and other flammable vapors and liquids.
- 5) Do not obstruct flow of combustion and ventilation air.
- 6) Pressure relief valve must be manually operated once a year to check for correct operation.



Water discharged from the relief valve could cause severe burns instantly, scalds, and/or death.



The discharge from the pressure relief valve should be piped to the ground or into a drain system to prevent exposure or possible burn hazards to human or other plant or animal life.

In the case of any error code, refer to the error message section of this manual or call your Rinnai Authorized Service provider or Rinnai at 800-621-9419.

Should overheating occur or the gas supply fail to shutoff, turn off the manual gas control valve to the appliance.



DO NOT ATTEMPT TO SERVICE YOUR Rinnai Water Heater YOURSELF.

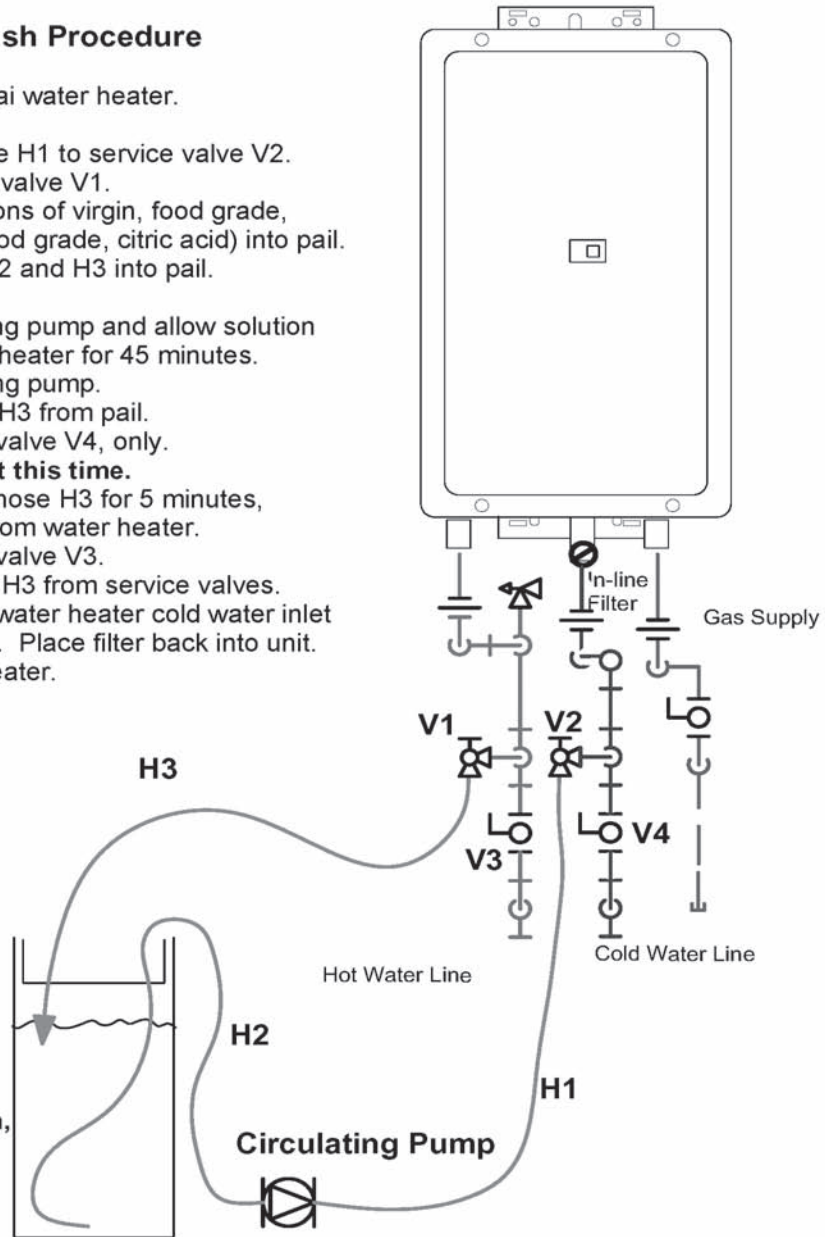
Call a Rinnai Authorized Service Provider or your installer.

MAINTENANCE & SERVICE INFORMATION (FLUSH PROCEDURE FOR LC ERROR CODE)

RINNAI Water Heater Flush Procedure

1. Disconnect power to Rinnai water heater.
2. Close valves V3 and V4.
3. Connect pump outlet hose H1 to service valve V2.
4. Connect drain hose H3 to valve V1.
5. Pour approximately 4 gallons of virgin, food grade, white vinegar (or virgin, food grade, citric acid) into pail.
6. Place free ends of hose H2 and H3 into pail.
7. Open valves V1 and V2.
8. Turn on power to circulating pump and allow solution to circulate through water heater for 45 minutes.
9. Turn off power to circulating pump.
10. Remove free end of hose H3 from pail.
11. Close valve V2 and open valve V4, only.
Do NOT open valve V3 at this time.
12. Allow water to flow out of hose H3 for 5 minutes, rinsing cleaning solution from water heater.
13. Close valve V1 and open valve V3.
14. Disconnect hoses H1 and H3 from service valves.
15. Remove in-line filter from water heater cold water inlet and clean out any residue. Place filter back into unit.
16. Restore power to water heater.

5 gallon pail of virgin, food grade, white vinegar (or virgin, food grade, citric acid).



KEY

	3/4" Ball Valve		Pressure Regulator
	3/4" Union		Circulating Pump
	Check Valve		Boiler Drain Valve
	Pressure Relief Valve		Solenoid Valve

This is not an engineered drawing, it is intended only as a guide and not as a replacement for professionally engineered project drawings. This drawing is not intended to describe a complete system, it is up to the contractor/engineer to determine the necessary components for and configuration of the particular system being installed. The drawing does not imply compliance with local building code requirements. It is the engineer/contractor responsibility to ensure the installation is in accordance with all local building codes. Confer with local building officials before installation.

Rinnai

103 International Drive
Peachtree City, Georgia 30269

RINNAI WATER HEATERS

Domestic Hot Water - Scale Flush Procedure
1 Rinnai Water Heater

MAINTENANCE & SERVICE INFORMATION

(Freeze Protection)

IMPORTANT!

With electrical power supplied to a Rinnai water heater, it will not freeze in environments as cold as -30°F, when protected from direct wind exposure.

In the event of a power failure at temperatures below freezing, the water heater should be drained of all water to prevent freezing damage.

The unit may be drained manually, or through the installation of the Optional solenoid valves as shown.

The electrical connections for the two solenoid valves should be tied to the 120V power terminals provided on the PCB of the water heater.

When the electrical power to the water heater fails, the 3/4" solenoid valve closes (stopping the flow of water into the heater) and the 1/2" solenoid valve opens (allowing the water heater and associated piping to drain). Insure that you run the drain for the solenoids to the outside environment to prevent discharging water inside the building, causing water damage.

**Venting Equipment List
(Commercial and Residential)**

Outdoor Unit

None Required, Please Review Installers Installation Instructions in the Owners Manual.

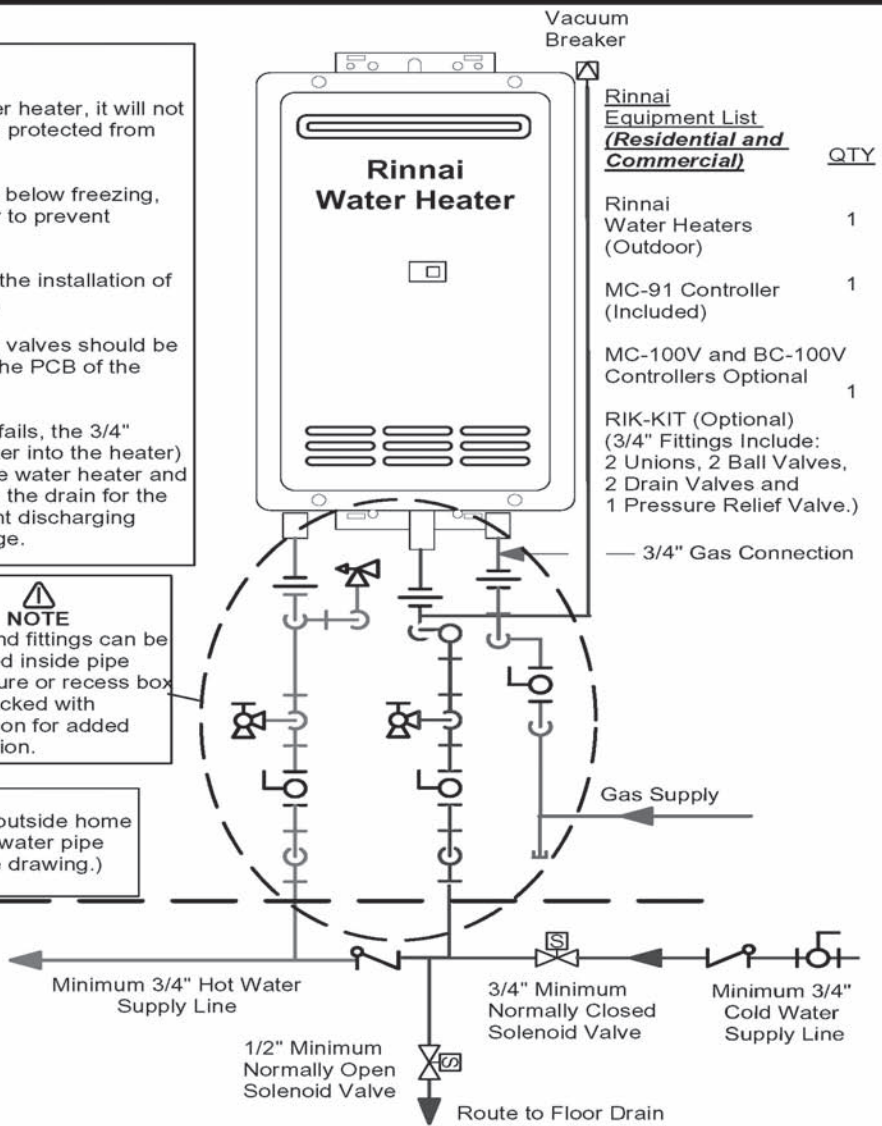
NOTE

Heat trace ALL water pipe and fittings located outside home (attic, crawl space) or building structure. (ALL water pipe and fittings shown above the dashed line in the drawing.)

NOTE

ALL pipe and fittings shown below dashed line should be located inside home or building structure.

NOTE
Pipe and fittings can be installed inside pipe enclosure or recess box and packed with insulation for added protection.



Rinnai Equipment List (Residential and Commercial)		QTY
Rinnai Water Heaters (Outdoor)		1
MC-91 Controller (Included)		1
MC-100V and BC-100V Controllers Optional		1
RIK-KIT (Optional) (3/4" Fittings Include: 2 Unions, 2 Ball Valves, 2 Drain Valves and 1 Pressure Relief Valve.)		1

KEY

- | | | | |
|--|-----------------------|--|--------------------|
| | 3/4" Ball Valve | | Pressure Regulator |
| | 3/4" Union | | Circulating Pump |
| | Check Valve | | Boiler Drain Valve |
| | Pressure Relief Valve | | Solenoid Valve |

This is not an engineered drawing, it is intended only as a guide and not as a replacement for professionally engineered project drawings. This drawing is not intended to describe a complete system, it is up to the contractor/engineer to determine the necessary components for and configuration of the particular system being installed. The drawing does not imply compliance with local building code requirements. It is the engineer/contractor responsibility to ensure the installation is in accordance with all local building codes. Confer with local building officials before installation.



103 International Drive
Peachtree City, Georgia 30269

RINNAI WATER HEATERS

Domestic Hot Water - Optional Freeze Protection
1 Rinnai Water Heater

Install a drip leg (if not already incorporated as part of the water heater) as shown. The drip leg must be at least three inches long for the accumulation of dirt, foreign material, and water droplets.

TROUBLE SHOOTING AND COMMON QUESTIONS

Q - *I don't have any hot water when I open the tap!*

A - Make sure there is gas, water and electricity to the Rinnai Water Heater (the power is turned on and the gas is turned on)

Q - *When I was using the hot water, the water got cold!*

A - If you adjusted the flow from the tap to lessen it, you may have gone below the minimum flow required. The Rinnai Water Heater requires a minimum flow rate to operate (see specification page for flow rate of your unit). If you mix the water at the tap and attempt to get a temperature well below the temperature being controlled by the unit, it may drop the flow below the desired minimum flow rate. Decrease the temperature supplied by the Rinnai Water Heater at the remote control or increase your total flow.

Q - *White smoke comes out of the exhaust!*

A - During colder weather when the exhaust temperature is hotter than the air, the exhaust fumes condense producing white steam - this is normal.

Q - *When I open a hot water tap. I do not immediately get hot water!*

A - Hot water must travel through your plumbing from the Rinnai Water Heater to the faucet. The time period for hot water to reach your fixture is determined by the amount of water in your plumbing system between your water heater and the fixture, water pressure, flow rate of fixture in use, etc.

Q - *After I turn off the hot water tap, the fan on the Rinnai Water Heater continues to run!*

A - The fan is designed to be on for a few seconds after the flow of water stops. This is to ensure constant water temperatures during rapid starting and stopping, as well as exhausting any residual gas flue products from the unit.


FOR YOUR SAFETY READ BEFORE OPERATING

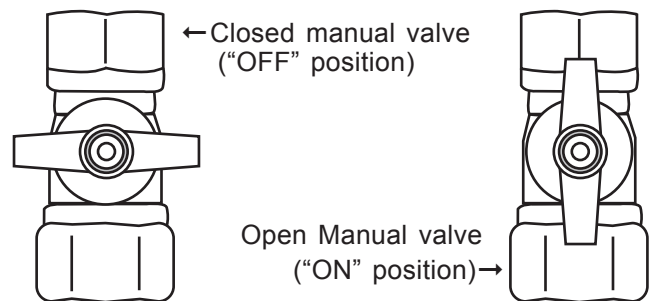


If you do not follow these instructions exactly, a fire or explosion may result causing property damage, personal injury or loss of life.

- A. This appliance does not have a pilot. It is equipped with a direct ignition device which automatically lights the burner. Do not try to light the burner by hand.
- B. BEFORE OPERATING: Smell all around the appliance area for gas. Be sure to smell next to the floor because some gas is heavier than air and will settle on the floor.
- WHAT TO DO IF YOU SMELL GAS**
- Do not try to light any appliance.
 - Do not touch any electric switch. Do not use any phone in your building.
 - Immediately call your gas supplier from a neighbor's phone. Follow the gas supplier's instructions.
- If you cannot reach your gas supplier, call the fire department.
- C. Use only your hand to operate the manual valve. Never use tools. If the remote keypad doesn't work, do not try to repair it, call a qualified service technician. Forced or attempted repair may result in a fire or explosion.
- D. Do not use this appliance if any part has been under water. Immediately call a qualified service technician to inspect the appliance and to replace any part of the control system and any gas control which has been under water.


OPERATING INSTRUCTIONS

- 1) STOP! Read the safety information above before proceeding.
- 2) Set the thermostat to lowest setting.
- 3) Turn off all electric power to the appliance.
- 4) This appliance does not have a pilot. It is equipped with a direct ignition device which automatically lights the burner. Do not try to light the burner by hand.
- 5) Turn the manual valve located at gas inlet of the appliance clockwise  to "OFF".




- 6) Wait (5) minutes to clear out any gas. If you then smell gas, STOP! Follow "B" in the safety information above. If you don't smell gas, go to next step.

O P E R A T I N G I N S T R U C T I O N S

- 7) Turn the manual valve located at the gas inlet of appliance counterclockwise  to "ON".
- 8) Turn on all electrical power to the appliance.
- 9) Set thermostat to desired setting.
- 10) If the appliance will not operate, Follow the instructions "To Turn Off Gas To Appliance" and call your service technician or gas supplier.

To Turn Off Gas To Appliance

- 1) Set the thermostat to lowest setting.
- 2) Turn off all electric power to the appliance if service is to be performed.
- 3) Turn the manual valve at gas inlet of appliance clockwise  to "OFF".

C A R E & L I M E C O N D I T I O N W A R N I N G

Care of Unit's Exterior:

Keep the exterior cabinet clean. Use a soft cloth and warm water when cleaning the cabinet. **Do Not** use volatile substances such as benzene and thinners, as they may ignite, or cause fading of the paint.

Lime Condition Warning Signal:

If you notice "LC" flashing on the remote key pad, this means the unit is beginning to lime up, and **MUST** be flushed. Contact a Qualified Service Technician to flush the appliance. Failure to flush the appliance when "LC" is flashing, will cause damage to the heat exchanger. Damage caused by lime build up is not covered by the unit's warranty. To reset the LC Fault code, turn the power off to the unit. Once power is restored, the LC code will be reset.

Water Quality:

Consideration of care for your water heater should include evaluation of water quality. If the water quality exceeds the target levels provided in the table, you may want to treat or condition the water.

Description	pH	TDS (Total Dissolved Solids)	Total Hardness	Aluminum	Chlorides	Copper	Iron	Manganese	Zinc
Maximum Levels	6.5 to 8.5	Up to 500 mg/L	Up to 200 mg/L	Up to 0.2 mg/L	Up to 250 mg/L	Up to 1.0 mg/L	Up to 0.3 mg/L	Up to 0.05 mg/L	Up to 5 mg/L



Installer's Instructions

This section is for the Qualified Installer only. **If you are not properly trained, you should not install this unit.** The warranty may be voided due to improper installation. For information on Rinnai Training Courses, call
1-800-621-9419.

Contents of Installer's Manual

Installer's Installation Considerations	28,29,30
Water Piping Notes	30
Venting.....	31,32,33,34
Performance Data.....	35
Product Dimensions.....	36,37
Easy Connect (EZConnect) instructions.....	38
Pressure Relief Valve	39
Gas Pressure Check List	39
Gas Piping Notes	40
Gas Piping Sizing Charts	41
Recommended Piping Installations	42,43,44
Electrical Connection Notes	45
Remote Controllers.....	46,47
Installation Check List	48
About Hot Water.....	48
Schematic Diagram.....	49
Wiring Diagram.....	50

Rinnai[®]

www.rinnai.us

800-621-9419

INSTALLER'S INSTALLATION CONSIDERATIONS (Residential Unit)

This manual must be followed exactly.

- 1) Read the Safety Issues section completely before installing the Rinnai Water Heater.
- 2) This water heater is suitable for residential water (potable) heating ONLY. DO NOT use this water heater for space heating, combination space heating/ domestic water heating, or commercial water heating applications. Doing so will void the warranty.
- 3) The Rinnai Water Heater is not suitable for use as a pool or spa heater.
- 4) The indoor unit is designed to be installed indoors using the proper vent piping to exhaust by-products of combustion to the outside environment. Contact your dealer or Rinnai for proper vent kits. **DO NOT** operate this unit without vent piping connected. Exhaust gasses must be expelled outside the home. All pipe joints shall be taped to help prevent leakage around joints. (Aluminum tape is recommended.)
- 5) Maintain proper space around the unit for proper servicing and operation. Minimum clearances from combustible and non combustible materials are listed below.

	Minimum Clearances from Combustibles		Minimum Clearances from Non-Combustibles	
	Indoor Unit	Outdoor Unit	Indoor Unit	Outdoor Unit
Top of Heater	12 inches		2 inches	
Back of Heater	0 inch		0 inch	
Front of Heater	24 inches		24 inches	
Sides of Heater	2 inches	6 inches	1/2 inches	
Floor / Ground	12 inches		2 inches	
Vent Exhaust	4 inches	-	0 inch	-
Concentric Vent Termination	0 inch	-	0 inch	-

- 6) Installer must install a Pressure Relief Valve. Pipe pressure relief discharge to a drain or outside environment - see pressure relief valve page for details of requirements.
- 7) The appliance should be located in an area where water leakage from the unit or connections will not result in damage to the area adjacent to the appliance or to lower floors of the structure. When such locations cannot be avoided, it is recommended that a suitable drain pan, adequately drained, be installed under the appliance. The pan must not restrict combustion air flow. **Manufacturer is not responsible for damage due to improper installation.**
- 8) For an outdoor unit, do not install under an overhang less than 3 feet from the top of the unit. When the overhang protrudes out over the Rinnai Water Heater greater than 3 feet, the area under the overhang must be open on 3 sides.

INSTALLER'S INSTALLATION CONSIDERATION (Commercial Unit)

This manual must be followed exactly.

- 1) Read the Safety Issues Section completely before installing the Rinnai.
- 2) This water heater is suitable for water (potable) heating or space heating.
 - The piping and components connected to the Rinnai must be approved for use in potable water systems.
 - Toxic chemicals such as those used for boiler water treatment are NOT to be introduced into the potable water, when used for space heating.
 - The Rinnai, if it will be used as a potable water source, must not be connected to a system that was previously used with a nonpotable water heating appliance.
 - When the system requires water for space heating at temperatures higher than required for other uses, a means such as a mixing / tempering valve shall be installed to temper the water for other uses, in order to reduce the scald hazard potential.
- 3) The Rinnai is not suitable for use as pool or spa heater.
- 4) The indoor unit is designed to be installed indoors using the proper vent piping to exhaust by-products of combustion to the outside environment. Contact your dealer or Rinnai for proper vent kits. **DO NOT** operate this unit without vent piping connected. Exhaust gasses must be expelled outside the home. All pipe joints shall be taped to help prevent leakage around joints. (Aluminum tape is recommended.)
- 5) Maintain proper space around the unit for proper servicing and operation. Minimum clearances from combustible and non combustible materials are listed below.

	Minimum Clearances from Combustibles		Minimum Clearances from Non-Combustibles	
	Indoor Unit	Outdoor Unit	Indoor Unit	Outdoor Unit
Top of Heater	12 inches		2 inches	
Back of Heater	0 inch		0 inch	
Front of Heater	24 inches		24 inches	
Sides of Heater	2 inches	6 inches	1/2 inches	
Floor / Ground	12 inches		2 inches	
Vent Exhaust	4 inches	-	0 inch	-
Concentric Vent Termination	0 inch	-	0 inch	-

INSTALLER'S INSTALLATION CONSIDERATION (Commercial Unit)

- 6) The appliance should be located in an area where water leakage from the unit or connections will not result in damage to the area adjacent to the appliance or to lower floors of the structure. When such locations cannot be avoided, it is recommended that a suitable drain pan, adequately drained, be installed under the appliance. The pan must not restrict combustion air flow. **The manufacturer is not responsible for any damage due to improper installation.**
- 7) For an outdoor unit, do not install under an overhang less than 3 feet from the top of the unit. When the overhang protrudes out over the Rinnai Water Heater greater than 3 feet, the area under the overhang must be open on 3 sides.
- 8) Installer must install a Pressure Relief Valve. Pipe pressure relief discharge to a drain or outside environment - see pressure relief valve page for details of requirements.

WATER PIPING NOTES

- 1) A manual water control valve must be placed in the water inlet connection to the Rinnai before it is connected to the water line. Unions may be used (and are recommended) on both the hot/cold water supply lines, for the future servicing or disconnection of the unit.



Rinnai makes an installation kit available containing unions.

- 2) All soldering materials and piping must be compatible with potable water.
- 3) Purge the water line to remove all debris and air. Debris will damage the Rinnai Water Heater.
- 4) There is a wire mesh strainer on the Rinnai's inlet to prevent the introduction of debris to the unit. It will need to be cleaned periodically. **DO NOT** operate unit without filter in place. Clean this filter before leaving the job site.
- 5) It is recommended that auto drain down solenoids are installed in all applications where below freezing temperature may occur.



Do not reverse the inlet and outlet (cold and hot water) connections on the unit. This would cause the Rinnai Water Heater not to operate.

INSTALLER'S INSTALLATION CONSIDERATIONS

Venting

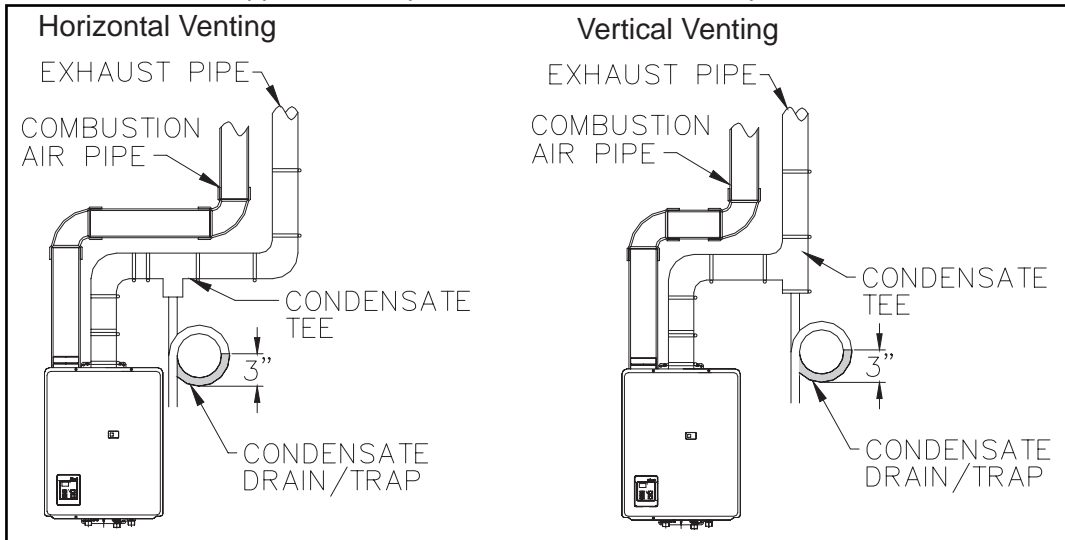
Condensate

Condensate formation can occur in Category III direct vent appliances. Space provisions must be made to properly drain and dispose of the condensate. Refer to Figure 1.

- Short horizontal vent runs (without a condensate drain) must slope to the vent termination 1/4" per foot.
- Vertical terminations or long horizontal terminations must incorporate a condensate drain and trap as close as possible to the appliance.
- The condensate drain trap must contain a minimum of 3" of water.
- Dispose of condensate per local codes.

FIGURE 1

Note: Some vent suppliers offer optional in-line condensate traps.



Air Intake and Exhaust Vent Pipe Length

To determine the maximum allowable air intake or exhaust vent pipe length reference Table 1 using the following guidelines:

1. Determine the number of elbows in the intake air system. The corresponding number from the table indicates the maximum length of intake air pipe.
2. Determine the number of elbows in the exhaust system. The corresponding number from the table indicates the maximum length of the exhaust air pipe.

Each 1 foot of semi rigid flex duct used in the air intake length is equivalent to one 90 degree elbow.

For high altitude installations contact Rinnai at 1-800-621-9419.

Table 1 Maximum Vent Length (feet) (Intake or Exhaust)

Number of 90° Elbows						
0	1	2	3	4	5	6
41 (1)	35 (2)	29 (3)	23	17	11	5
Two 45° elbows are considered equivalent to one 90° elbow. Include termination elbows when using this table. (1) If the length is less than 22' then move dip switch no. 1 (SW1) to ON (2) If the length is less than 16' then move dip switch no. 1 (SW1) to ON (3) If the length is less than 10' then move dip switch no. 1 (SW1) to ON						

Intake/Exhaust Guidelines

- This water heater is a direct vent water heater and therefore is certified and listed with the vent system. Only use venting identified in these instructions for proper installation.
- Do not combine vent components from different manufacturers.
- Before installation, inspect each vent component for damage and correct seal placement. Do not attempt to fix or install any damaged vent components.
- Every vent connection must be accessible for inspection, cleaning, and replacement.
- Avoid dips or sags in horizontal vent runs by installing supports per the vent manufacturers' instructions.
- Support horizontal air intake runs every four feet and all vertical air intake runs every six feet or in accordance with local codes.
- Venting should be as direct as possible with a minimum number of pipe fittings.
- Vent diameter must not be reduced.
- Do not connect the venting system with an existing vent or chimney.
- Do not common vent with the vent pipe of any other water heater or appliance.
- Vent connections must be firmly pressed together so that the gaskets form an air tight seal.
- Refer to the vent pipe manufacturers' instructions for component assembly instructions.

Air Intake Assembly

The combustion air for the Rinnai Tankless Water Heater is supplied directly from the outdoors through the air intake system. The air intake system consists of a field supplied stainless steel, 4" Schedule 40 PVC, ABS, or CPVC pipe. A maximum 6 feet of semi-rigid flexible aluminum ducting can also be used. Foil wrapped dryer vent and cell core products are not authorized.

Air Intake Connection

Refer to Figure 2

1. Predrill two small holes at the end of the air intake pipe.
2. Slide the pipe over the air intake terminal.
3. Using a level, ensure the pipe is straight up and down.
4. With self tapping screws, attach the pipe to the air intake terminal.
5. Apply a bead of silicone around the pipe and air intake terminal, ensuring an air tight connection.

FIGURE 2

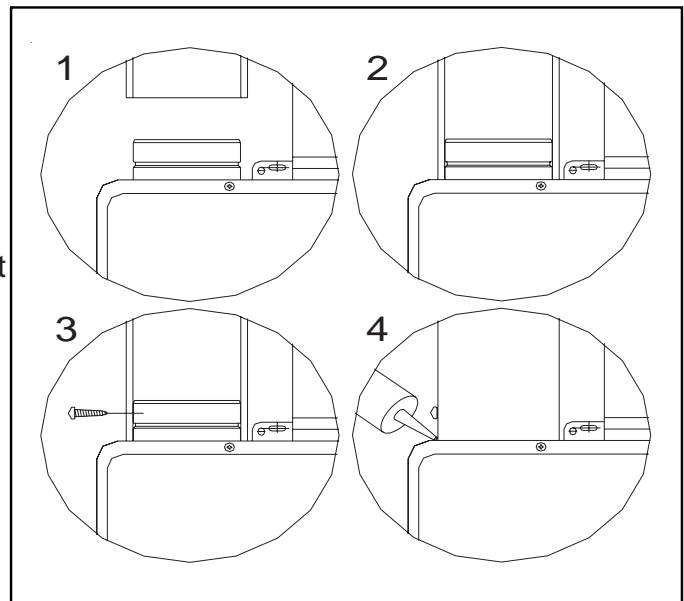


FIGURE 3

Clearance to Combustibles				
Vent Size	Enclosed		Unenclosed	
	Horizontal	Vertical	Horizontal	Vertical
4"	4"	4"	1"	1"

Exhaust Pipe Assembly

Category III vent pipe must be used throughout the entire exhaust system.

Refer to Figures 3 for clearances to combustibles and Figure 4 for approved parts.

Figure 4 Listed and Tested Vent Products

Manufacturer	Product	Appliance Adapter	Vertical Termination	Horizontal Termination	Horizontal Concentric Termination
Heat-Fab	Saf-T Vent	9401AMTK	5400CI	9492	NA
Z-Flex	Z-Vent	2SVSNA04.5	2SVSRCF4	2SVSTPX4	NA
ProTech Systems	FasNSeal	FSAAU4	FSRC4	FSBS4	FSDVPTB04LH, FSDVWT4
Metal-Fab	Corr/Guard	4CGOA	4CGSWC	4CGSWMCM	4CG7HT90, 4CG7HT

Terminations

For horizontal terminations, the intake must be located in relation to the exhaust as shown in Figure 5. For vertical terminations, the air intake requires a return bend or two 90 degree elbows to prevent entry of rain. Refer to Figure 6 for air inlet and exhaust outlet termination minimum clearances.

FIGURE 5 HORIZONTAL INSTALLATION

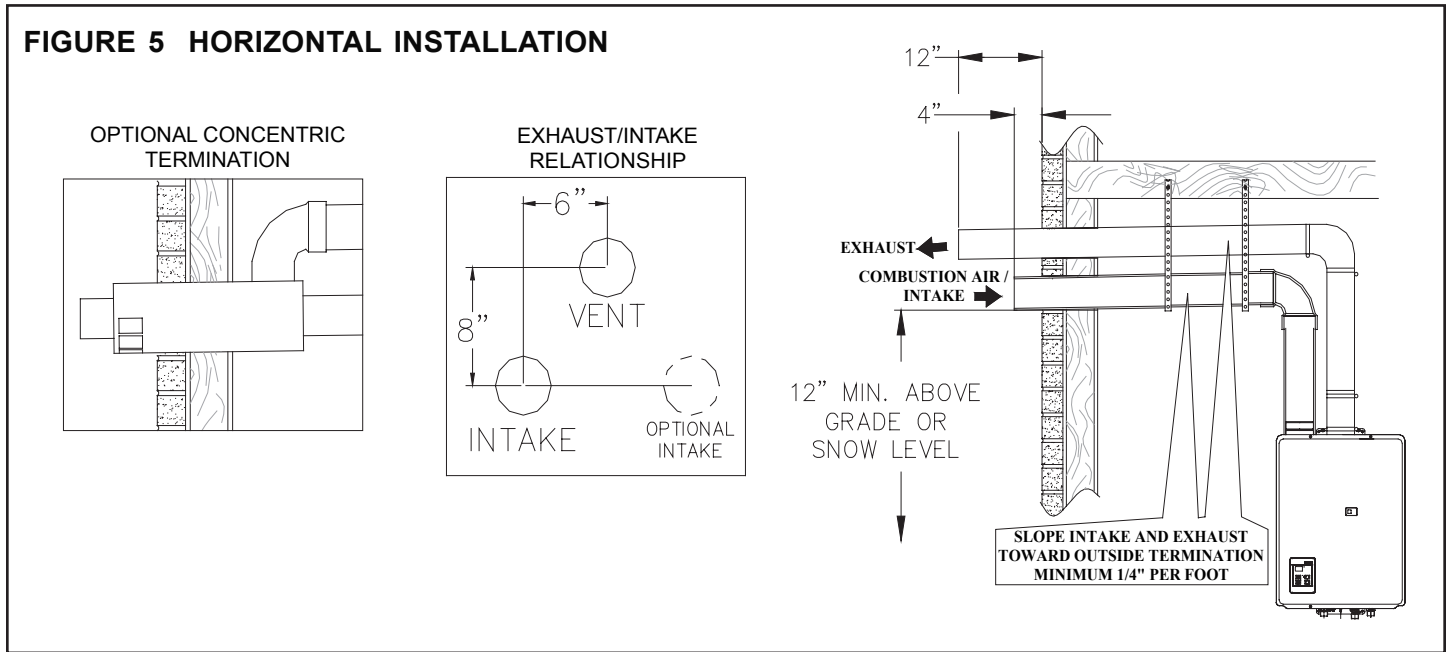
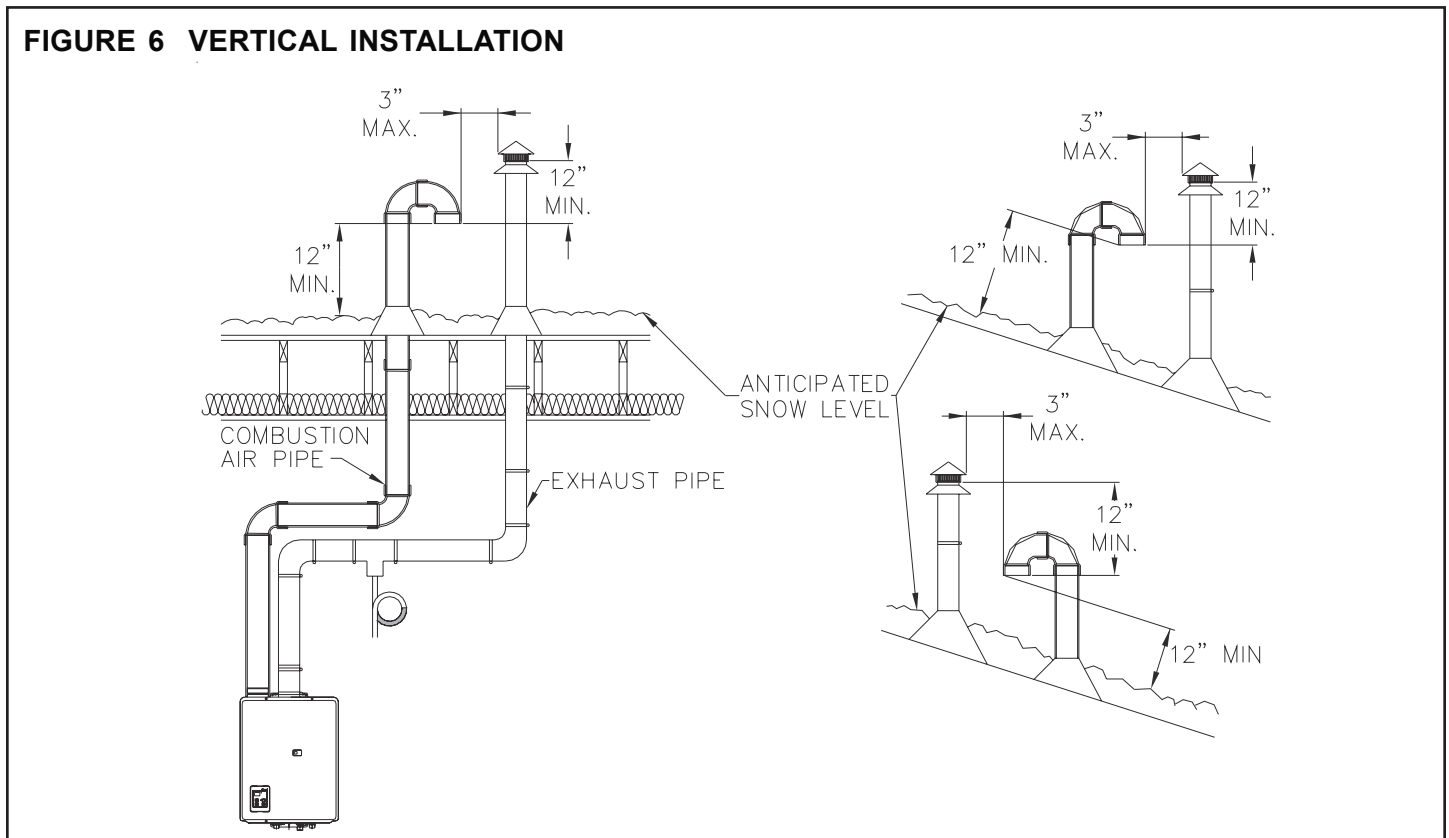




FIGURE 6 VERTICAL INSTALLATION

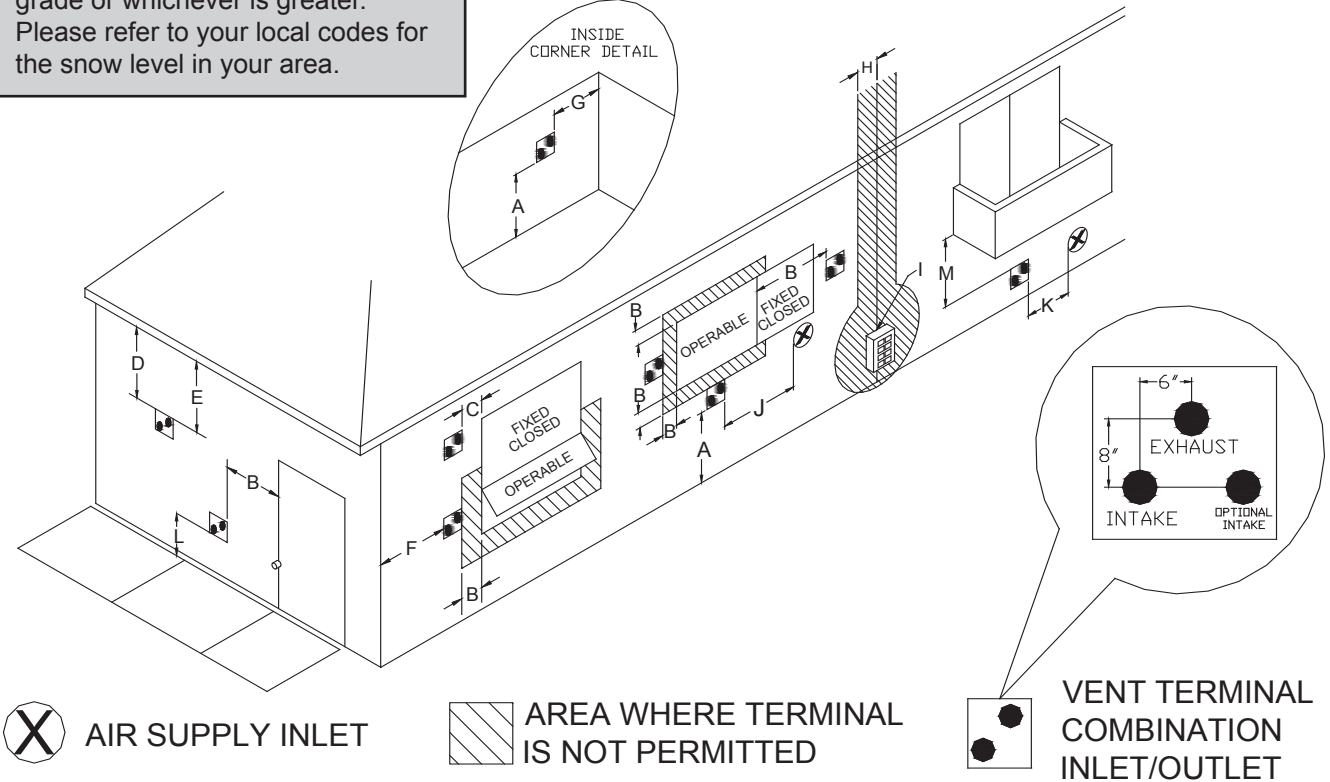


TERMINATION CLEARANCE For Inlet/Outlet

Terminals should be so positioned as to avoid products of combustion entering openings into buildings or other flues or vents.

 **NOTE** Please consult with local codes before installing this unit.

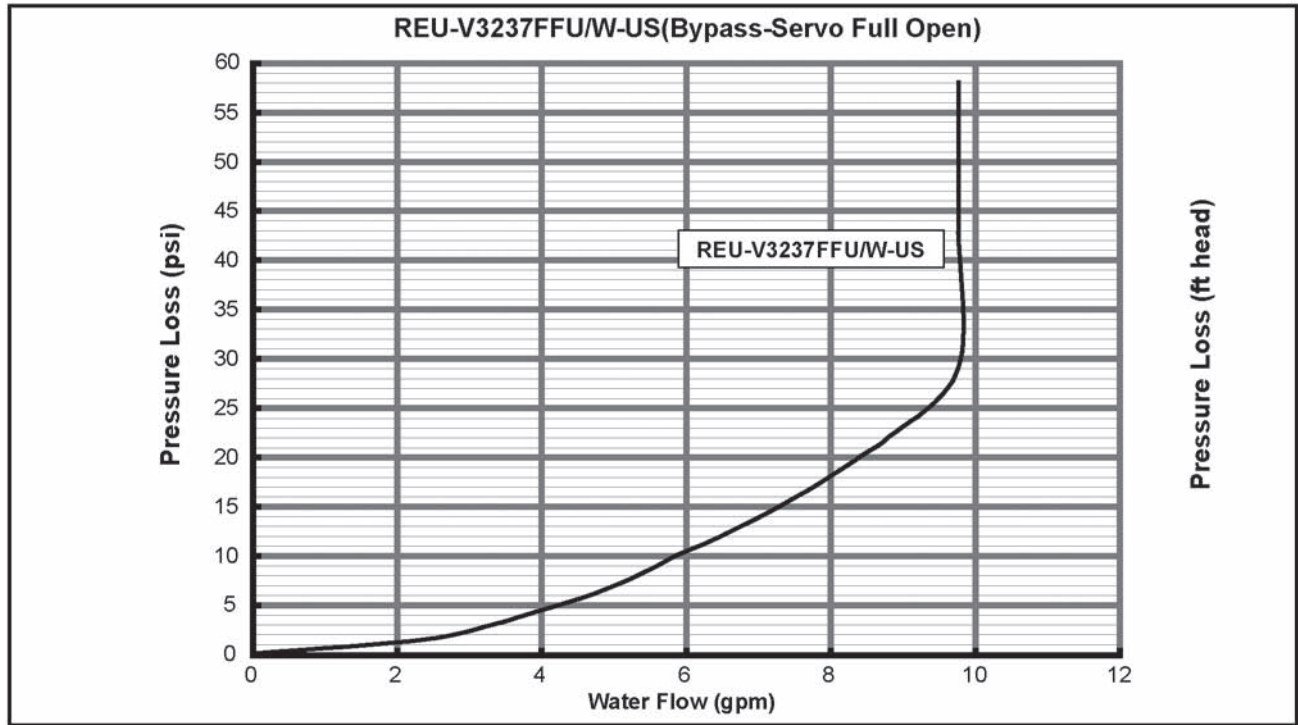
 **NOTE** Maintain 12" of clearance above the highest anticipated snow level or grade or whichever is greater. Please refer to your local codes for the snow level in your area.



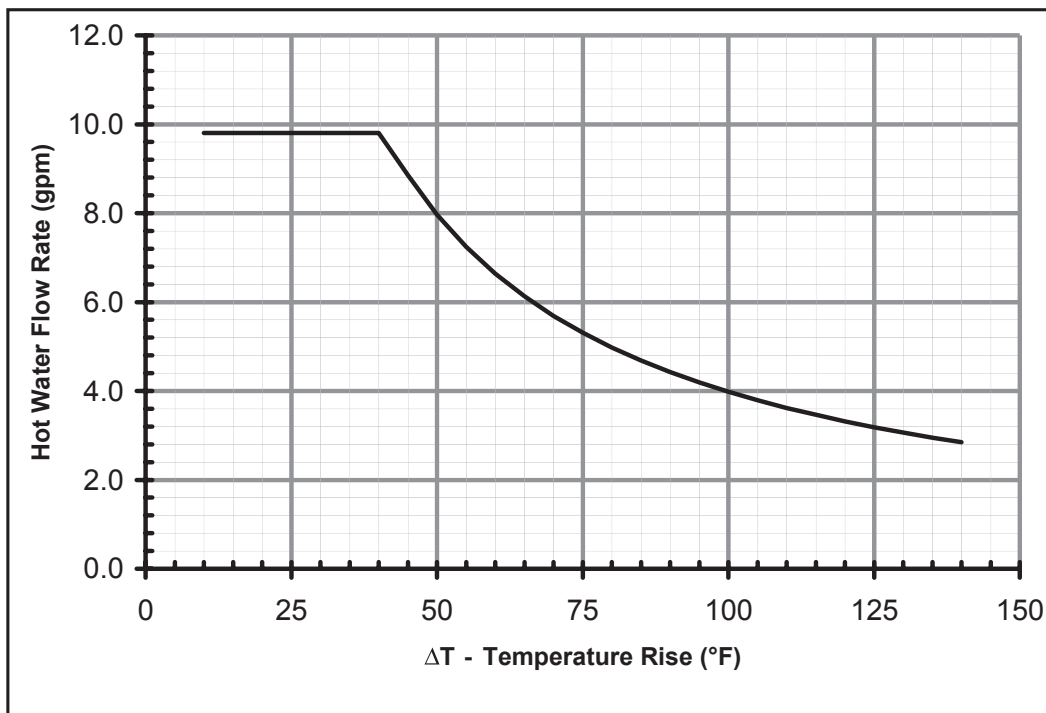
REF	DESCRIPTION	U.S. Installations	Canadian Installations
A	Clearance above grade, veranda, porch, deck, or balcony	1 foot	1 foot
B	Clearance to window or door that may be opened	1 foot	3 feet
C	Clearance to permanently closed window	*	*
D	Vertical clearance to ventilated soffit, eaves or overhang	*	*
E	Clearance to unventilated soffit, eaves or overhang	*	*
F	Clearance to outside corner	*	*
G	Clearance to inside corner	*	*
H	Clearance to each side of center line extended above meter/regulator assembly	*	3 feet within a height 15 feet above the meter/regulator assembly
I	Clearance to service regulator vent outlet	*	3 feet
J	Clearance to nonmechanical air supply inlet to building or the combustion air inlet to any other appliance	1 foot	3 feet
K	Clearance to a forced air inlet into a building	3 feet above if within 10 feet horizontally	6 feet
L	Clearance above paved sidewalk or paved driveway located on public property	*	7 feet
M	Clearance under deck, veranda, porch, or balcony (open on 3 sides)	*	1 foot

* For clearances not specified in ANSI Z223.1 / NFPA 54 or CAN/CGA-B149, please use clearances in accordance with local installation codes and the requirement of the gas supplier.

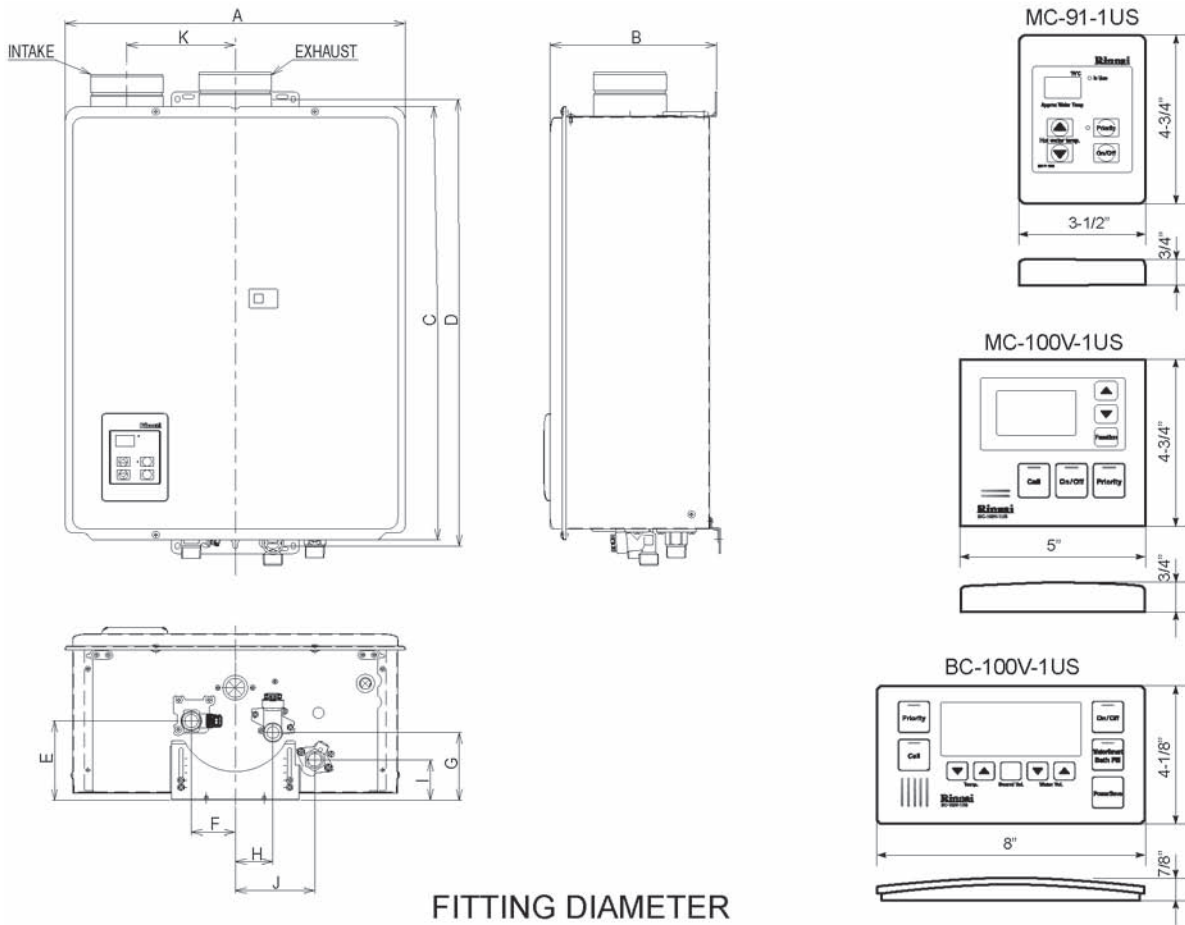
PRESSURE DROP CURVE



OUTLET FLOW DATA

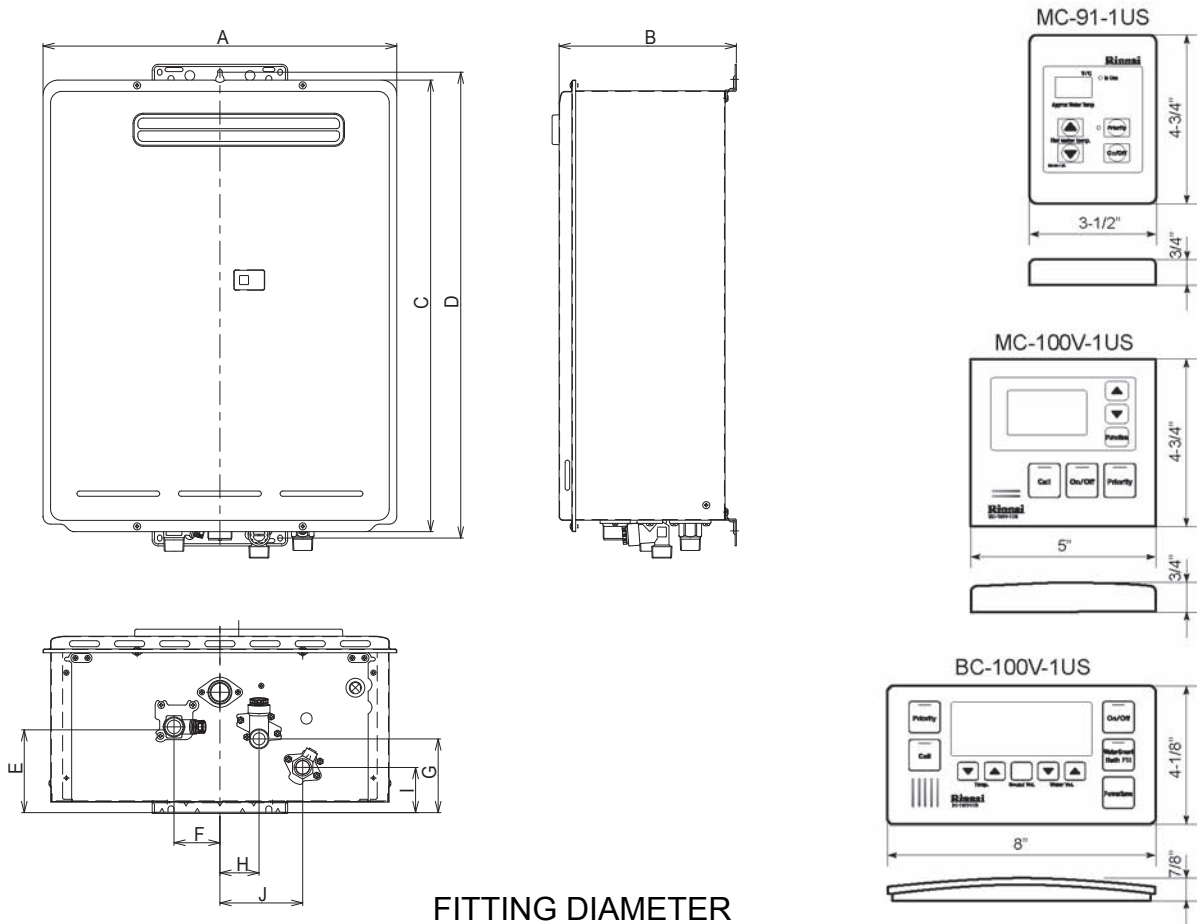


PRODUCT DIMENSIONS - INDOOR UNIT



DIM	DESCRIPTION	REU-V3237FFU	REU-V3237FFUC
A	Width	18.5"	
B	Depth	9.1"-10.6"	
C	Height-Unit	23.6"	
D	Height-Including Brackets	24.4"	
E	Hot Water Outlet (from wall)	4.4"-5.9"	
F	Hot Water Outlet (from center)	2.4"	
G	Cold Water Outlet (from wall)	3.7"-5.3"	
H	Cold Water Outlet (from center)	2"	
I	Gas Connection (from wall)	2.2"-3.8"	
J	Gas Connection (from center)	4.3"	
K	Distance Between Flue Pipes	5.9"	
	Gas: Fitting Diameter	3/4"NPT	
	Cold: Fitting Diameter	3/4"NPT	
	Hot: Fitting Diameter	3/4"NPT	

PRODUCT DIMENSIONS - OUTDOOR UNIT



FITTING DIAMETER

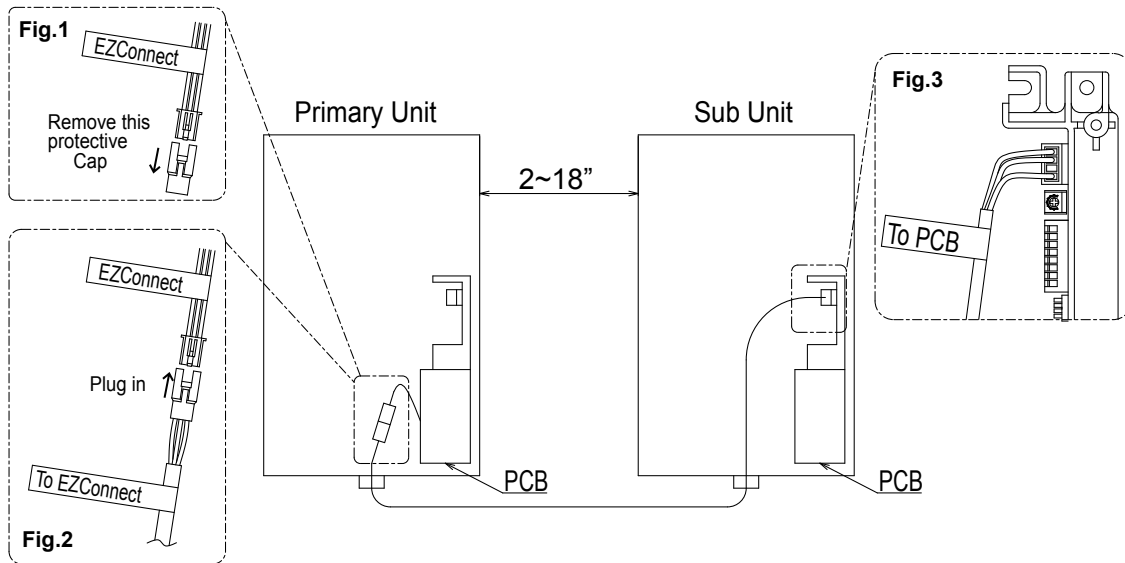
DIM	DESCRIPTION	REU-V3237W	REU-V3237WC
A	Width	18.5"	
B	Depth	9.3"	
C	Height-Unit	23.6"	
D	Height-Including Brackets	24.4"	
E	Hot Water Outlet (from wall)	4.5"	
F	Hot Water Outlet (from center)	2.4"	
G	Cold Water Outlet (from wall)	3.9"	
H	Cold Water Outlet (from center)	2"	
I	Gas Connection (from wall)	2.8"	
J	Gas Connection (from center)	4.3"	
	Gas: Fitting Diameter	3/4"NPT	
	Cold: Fitting Diameter	3/4"NPT	
	Hot: Fitting Diameter	3/4"NPT	

Easy Connect (EZConnect™) INSTRUCTIONS (REU-EZC-1US)

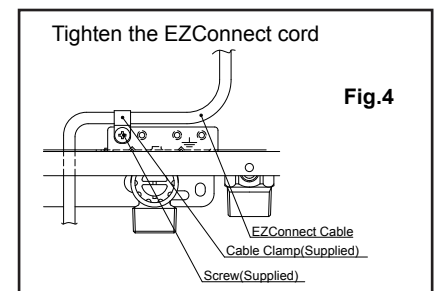
EZConnect Installation

1. EZConnect allows the installation of two Water Heater units together utilizing the EZConnect cord.
2. Install the two Water Heater units 2" ~ 18" apart so that the cord will be able to reach between two units.
3. Do not install more than 18" apart between two water heaters. To do so, will cause temperature fluctuations (cold water sandwich effect) whereby the water is shut off, then turned on again.
4. The EZConnect shall be disabled before installing with the MSA controller system.

Recommended Installation Layout:



5. Before installing the EZConnect cord, remove the protective cap from the 3 pin connector marked "EZConnect" located in the wiring harness of the Primary Unit. (Fig.1)
6. To install the EZConnect cord, plug in the cord on both the Sub unit and Primary unit accordingly – see installation layout above. (Fig.2,3)
7. Securely tighten the EZConnect cord to the bottom of Water Heater by using Cable Clamp and Screw supplied. (Fig.4)
(Both of Primary and Sub Unit)



- Temperature settings can only be changed on the primary unit controller.
- This system can not use the bathfill function.

PRESSURE RELIEF VALVE

- 1) An approved pressure relief valve should be installed in all water heating systems.
- 2) The pressure relief valve must meet the following criteria: The relief valve must comply with the standard for Relief Valves and Automatic Gas Shutoff Devices for Hot Water Supply Systems ANSI Z21. 22 and/or the standard CAN1-4.4 *Temperature, Pressure, Temperature and Pressure Relief Valves and Vacuum Relief Valves*. This relief valve set point must not exceed 150 PSI of pressure. The pressure relief valve hourly Btu rated temperature steam discharge capacity shall not be less than the hourly Btu input rating of the unit. Multiple valves may be used.
- 3) The relief valve should be added to the hot water outlet line per manufacturer's instructions. DO NOT place any other type valve or shut off device between the relief valve and the hot water heater.
- 4) Do not plug the relief valve and do not install any reducing fittings or other restrictions in the relief line. The relief line should allow for complete drainage of the valve and the line.
- 5) If a relief valve discharges periodically, this may be due to thermal expansion in a closed water supply system. Contact the water supplier or local plumbing inspector on how to correct this situation. Do not plug the relief valve.
- 6) Should overheating occur or the gas supply fail to shut off, turn off the manual gas valve on the Rinnai.

GAS PRESSURE CHECK LIST

- 1) Remove pressure test point screw, attach pressure gauge to test point.
- 2) Turn on the gas and power to the water heater.
- 3) Open any hot water tap fully.
- 4) Check test point or supply pressure in water columns per inch as shown.

Natural Gas Inlet and Manifold Gas Pressure by Model

	Inlet Gas Pressure	Low Fire Manifold Gas Pressure	High Fire Manifold Gas Pressure
REU-V3237FFU Series	6" - 10.5"	0.67"	3.0"
REU-V3237W Series	6" - 10.5"	0.65"	2.8"

Propane Gas Inlet and Manifold Gas Pressure by Model

	Inlet Gas Pressure	Low Fire Manifold Gas Pressure	High Fire Manifold Gas Pressure
REU-V3237FFU Series	10" - 13.5"	0.83"	3.7"
REU-V3237W Series	10" - 13.5"	0.80"	3.8"

GAS PIPING NOTES

- 1) A manual gas control valve must be placed in the gas supply line to the Rinnai Water Heater. A union can be used on the connection above the shut off valve for the future servicing or disconnection of the unit.
- 2) Check the type of gas and the gas inlet pressure before connecting the Rinnai Water Heater. If the Rinnai Water Heater is not of the gas type that the building is supplied with, DO NOT connect the water heater. Contact the dealer for the proper unit to match the gas type.
- 3) Minimum and Maximum Gas pressures are listed below:
* Minimum value is for input adjustment

Natural Gas:	Minimum	6" WC	Propane Gas:	Minimum	10" WC
	Maximum	10.5" WC		Maximum	13.5" WC



Conversion of this unit from natural gas to propane or propane to natural gas is not recommended in the field. Contact Rinnai at 800-621-9419.

- 4) After completion of gas pipe connections, all joints, and the water heater, must be checked for gas-tightness by means of leak detector solution, soap and water, or an equivalent nonflammable solution, as applicable.



Since some leak test solutions, including soap and water, may cause corrosion or stress cracking, the piping must be rinsed with water after testing, unless it has been determined that the leak solution is non-corrosive.

- 5) The Rinnai Water Heater and its individual shut-off valve must be disconnected from the gas supply piping system when pressure testing of the gas supply piping system at test pressures greater than 1/2 psi (3.5 kPa).
- 6) Always use approved connectors to connect the unit to the gas line. Always purge the gas line of any debris before connection to the water heater.
- 7) The Rinnai Water Heater must be isolated from the gas supply piping system by closing it's individual manual shutoff valve during any pressure testing of the gas supply piping system at test pressures equal to or less than 1/2 psi (3.5 kPa).
- 8) The Rinnai Water Heater Installation location must provide for adequate combustion and ventilation airflow.

GAS PIPING SIZING CHART

Capacity Table for Natural Gas cubic feet / hour

(table assumes 0.3 inch pressure drop, specific gravity of 0.60)

Nominal Iron Pipe Size Inches	Length of Pipe in Feet													
	10	20	30	40	50	60	70	80	90	100	125	150	175	200
3/4	278	190	152	130	115	105	96	90	84	79	72	64	59	55
1	520	350	285	245	215	195	180	170	160	150	130	120	110	100
1-1/4	1050	730	590	500	440	400	370	350	320	305	275	250	225	210
1-1/2	1600	1100	890	760	670	610	560	530	490	460	410	380	350	320

After determining the length of pipe required select the pipe size that will supply the cubic feet per hour of gas required for the input rating of the Rinnai water heater. The formula for figuring the cubic feet per hour required is:

$$\text{CFH} = \frac{\text{Gas Input of Rinnai water heater(BTU/HR)}}{\text{Heating Value of Gas(BTU/FT}^3\text{)}}$$

*Gas input requirement is on the water heater data plate

*The heating value of the gas can be obtained from the local Natural Gas Utility

Capacity Table for LP Gas

BTUH of undiluted liquified petroleum gases

(table assumes 11 inches of water column pressure at the inlet, .5 inch drop)

Nominal Iron Pipe Size Inches	Length of Pipe in Feet													
	10	20	30	40	50	60	70	80	90	100	125	150		
1/2	275	189	152	129										
3/4	567	393	315	267	237	217	196	185	173	162	146			
1	1071	732	590	504	448	409	378	346	322	307	275	252		
1-1/4	2205	1496	1212	1039	913	834	771	724	677	630	567	511		

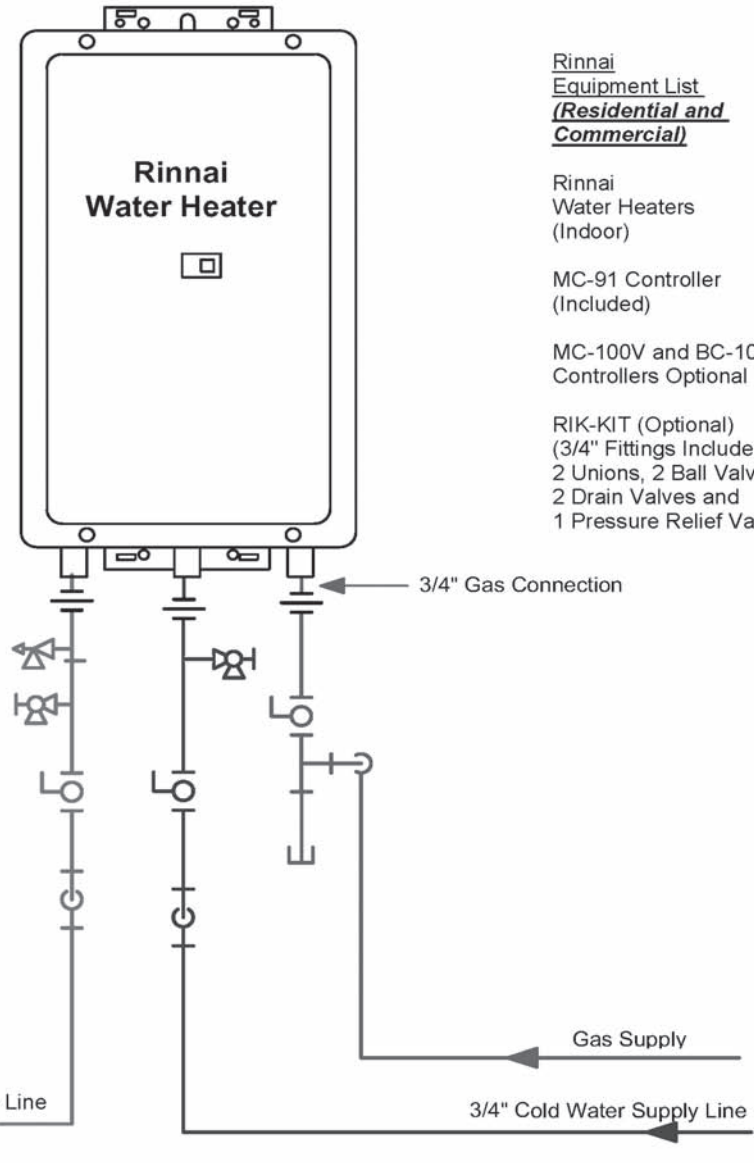


This chart is only for black iron piping and is only for sizing Rinnai Water Heater at high fire condition. Take into account other appliance(s) when sizing the overall gas supply at high fire conditions.

RECOMMENDED PIPING FOR BASIC INSTALLATION

Venting Equipment List (Commercial and Residential)

Indoor Unit
Please Review Venting
Instructions/Guidelines for
Proper Components and
Installation.



Rinnai Equipment List (Residential and Commercial)

	QTY
Rinnai Water Heaters (Indoor)	1
MC-91 Controller (Included)	1
MC-100V and BC-100V Controllers Optional	
RIK-KIT (Optional) (3/4" Fittings Include: 2 Unions, 2 Ball Valves, 2 Drain Valves and 1 Pressure Relief Valve.)	1

KEY

	3/4" Ball Valve		Pressure Regulator
	3/4" Union		Circulating Pump
	Check Valve		Boiler Drain Valve
	Pressure Relief Valve		Solenoid Valve

This is not an engineered drawing, it is intended only as a guide and not as a replacement for professionally engineered project drawings. This drawing is not intended to describe a complete system, it is up to the contractor/engineer to determine the necessary components for and configuration of the particular system being installed. The drawing does not imply compliance with local building code requirements. It is the engineer/contractor responsibility to ensure the installation is in accordance with all local building codes. Confer with local building officials before installation.

Rinnai

103 International Drive
Peachtree City, Georgia 30269

RINNAI WATER HEATERS

Domestic Hot Water - Standard Installation
1 Rinnai Water Heater

RECOMMENDED PIPING FOR CIRCULATION SYSTEMS

Notes:

PLEASE NOTE FOR RESIDENTIAL APPLICATIONS, THIS PIPING ARRANGEMENT MAINTAINS FULL WARRANTY:

**10 Years On Heat Exchanger
5 Years On Parts**

Commercial Application Warranty:

**5 Years On Heat Exchanger
5 Years On Parts**

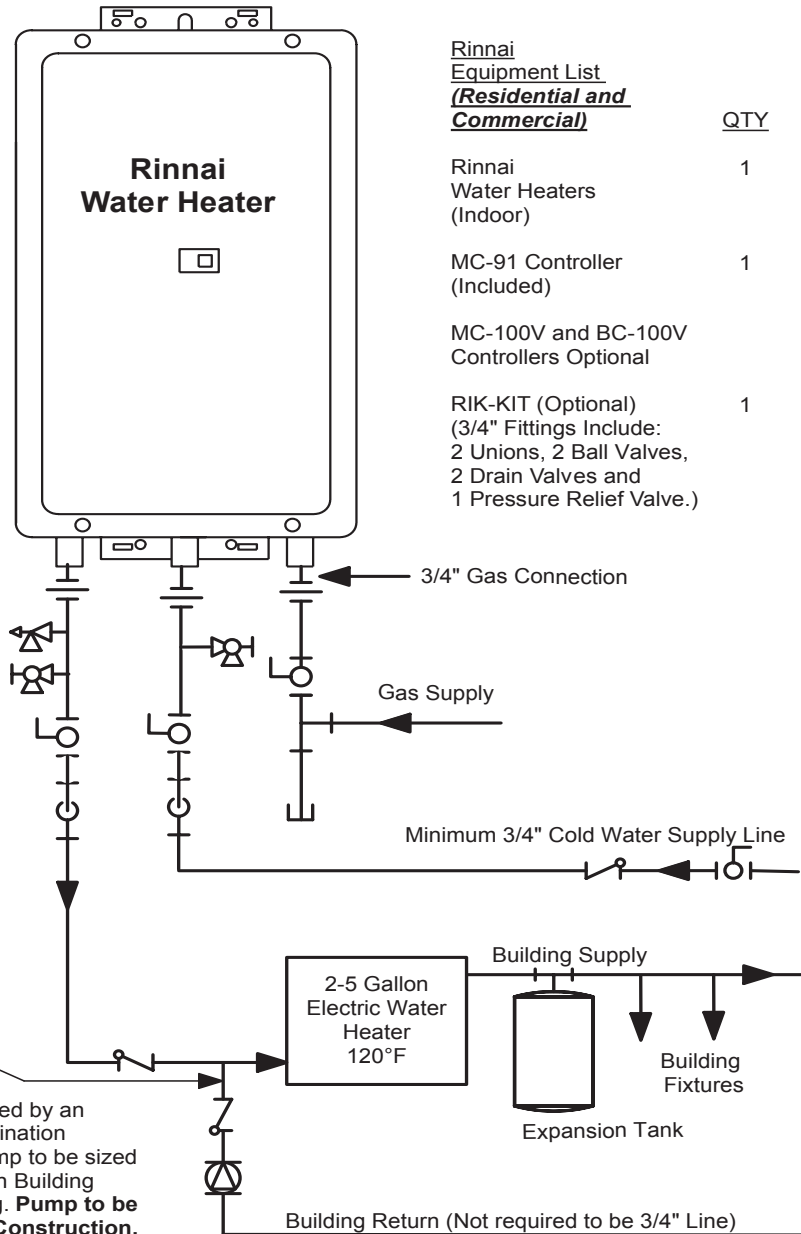
**Venting Equipment List
(Commercial and Residential)**

Indoor Unit

Please Review Venting Instructions/Guidelines for Proper Components and Installation.

Important: Install building return line to the hot supply as close as possible to the Rinnai Water Heater.

Pump Should be Controlled by an Aquastat, Timer or Combination Aquastat and Timer. Pump to be sized for Pressure Drop through Building Supply and Return Piping. **Pump to be of Bronze or Stainless Construction.**



<u>Rinnai Equipment List (Residential and Commercial)</u>		<u>QTY</u>
Rinnai Water Heaters (Indoor)		1
MC-91 Controller (Included)		1
MC-100V and BC-100V Controllers Optional		
RIK-KIT (Optional) (3/4" Fittings Include: 2 Unions, 2 Ball Valves, 2 Drain Valves and 1 Pressure Relief Valve.)		1

KEY

	3/4" Ball Valve		Pressure Regulator
	3/4" Union		Circulating Pump
	Check Valve		Boiler Drain Valve
	Pressure Relief Valve		Solenoid Valve

This is not an engineered drawing, it is intended only as a guide and not as a replacement for professionally engineered project drawings. This drawing is not intended to describe a complete system, it is up to the contractor/engineer to determine the necessary components for and configuration of the particular system being installed. The drawing does not imply compliance with local building code requirements. It is the engineer/contractor responsibility to ensure the installation is in accordance with all local building codes. Confer with local building officials before installation.

Rinnai

103 International Drive
Peachtree City, Georgia 30269

RINNAI WATER HEATERS

Domestic Hot Water - Circulation Systems
1 Rinnai Water Heater with Electric Storage Tank

OPTIONAL PIPING FOR CIRCULATION SYSTEMS

Note:

PLEASE NOTE THIS PIPING ARRANGEMENT REDUCES WARRANTY TO THE FOLLOWING:

Residential Applications Warranty:
 3 Years On Heat Exchanger
 3 Years On Parts

Commercial Application Warranty:
 3 Years On Heat Exchanger
 3 Years On Parts

Venting Equipment List
(Commercial and Residential)

Outdoor Unit

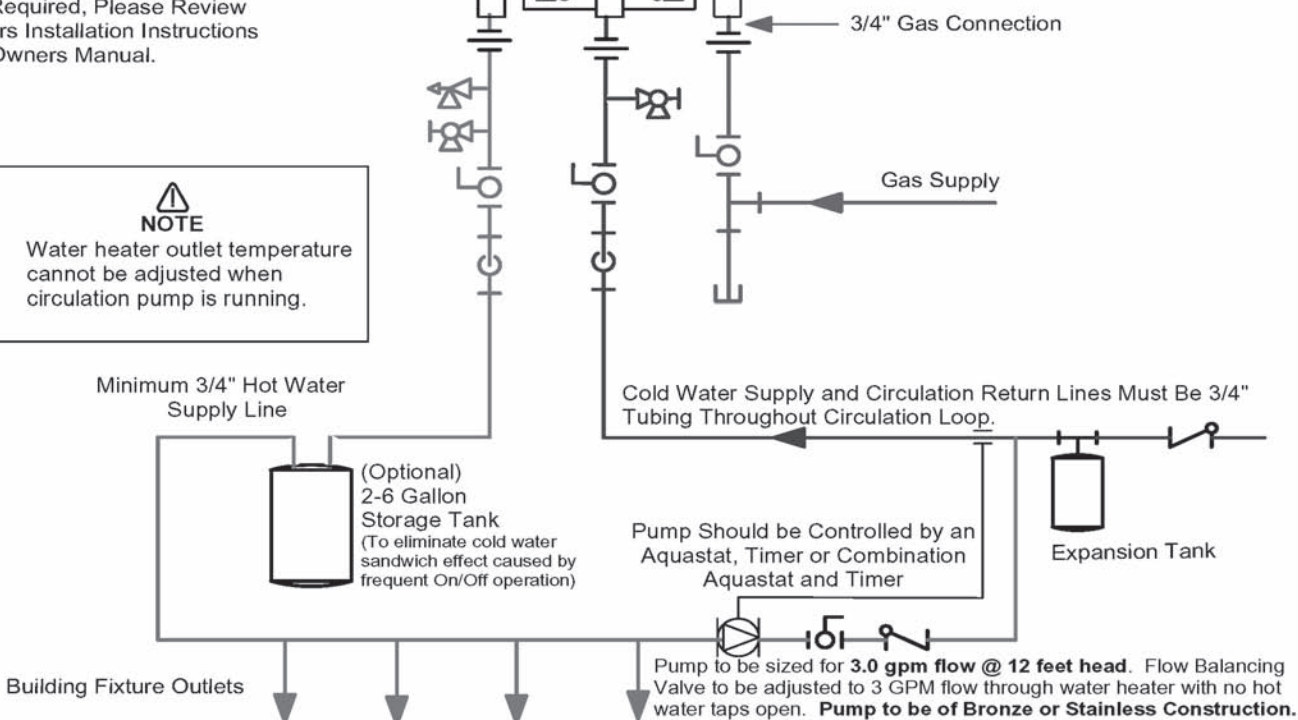
None Required, Please Review Installers Installation Instructions in the Owners Manual.



Rinnai Equipment List
(Residential and Commercial)

	QTY
Rinnai Water Heaters (outdoor)	1
MC-91 Controller (Included)	1
MC-100V and BC-100V Controllers Optional	
RIK-KIT (Optional) (3/4" Fittings Include: 2 Unions, 2 Ball Valves, 2 Drain Valves and 1 Pressure Relief Valve.)	1

NOTE
 Water heater outlet temperature cannot be adjusted when circulation pump is running.



KEY

- | | | | |
|--|-----------------------|--|--------------------|
| | 3/4" Ball Valve | | Pressure Regulator |
| | 3/4" Union | | Circulating Pump |
| | Check Valve | | Boiler Drain Valve |
| | Pressure Relief Valve | | Solenoid Valve |

This is not an engineered drawing, it is intended only as a guide and not as a replacement for professionally engineered project drawings. This drawing is not intended to describe a complete system, it is up to the contractor/engineer to determine the necessary components for and configuration of the particular system being installed. The drawing does not imply compliance with local building code requirements. It is the engineer/contractor responsibility to ensure the installation is in accordance with all local building codes. Confer with local building officials before installation.



103 International Drive
 Peachtree City, Georgia 30269

RINNAI WATER HEATERS

Domestic Hot Water with Circulation
 1 Rinnai Water Heater

ELECTRICAL CONNECTION NOTES (OUTDOOR UNIT)

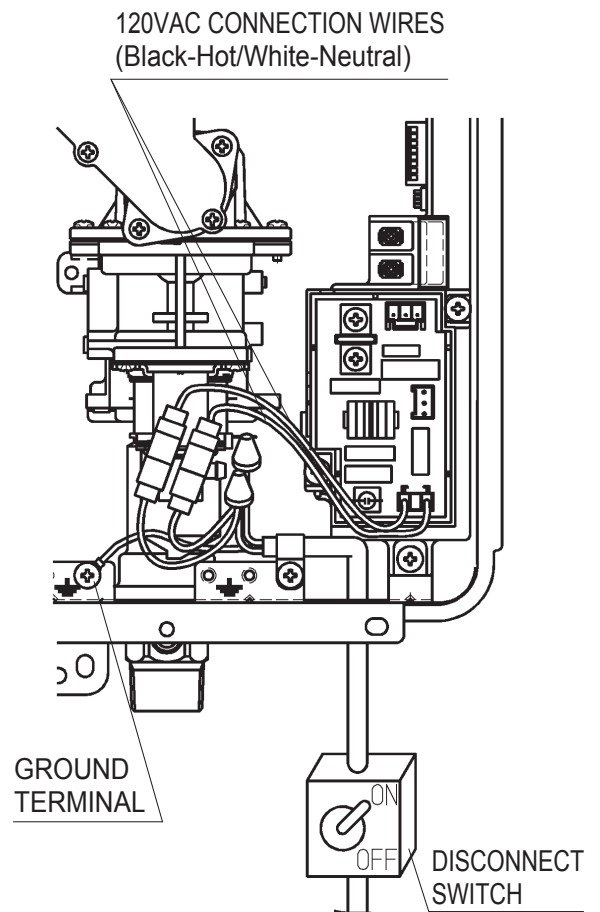


The Rinnai Water Heater must be electrically grounded in accordance with local codes or in the absence of local codes with the most recent edition of the National Electrical Code, ANSI/NFPA 70. In Canada, all electrical wiring to the Rinnai Water Heater should be in accordance with local codes and the Canadian Electrical Code, CSA C22.1 Part 1. Do not rely on the gas or water piping to ground the metal parts of the water heater.



Label all wires prior to disconnection when servicing controls. Wiring errors can cause improper operation. Verify proper operation after servicing.

- 1) The Rinnai Water Heater requires 120VAC/60 Hz, power from a properly grounded circuit.
- 2) An on/off switch may be required and installed for the incoming 120VAC power.
- 3) Wire the Rinnai Water Heater exactly as shown in the wiring diagram on the inside of the cover panel. The black wire is the hot leg wire; the white wire is the neutral wire.
- 4) A green screw is provided in the junction box for the grounding connection.



Your disconnect switch should be a type that is suitable for outdoor use. Check National Electrical Codes for proper type switch to use in your area.

REMOTE CONTROLLERS - GENERAL

The remote controls for the Rinnai Water Heater allow the customer to control the functions of the water heater and to diagnose certain fault conditions.

Before installing the remote controllers, determine the most convenient location(s). When deciding on the best location for the remote controllers, consider the following items:

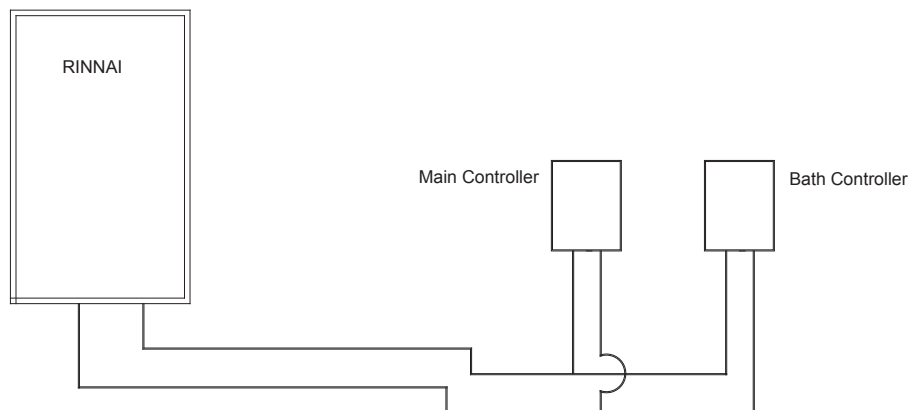
- 1) Place the controllers out of reach of small children.
- 2) Avoid locations where the controller(s) will become hot (over the stove, near the oven or a radiant heater).
- 3) Avoid direct sunlight (The digital display can be difficult to read in direct sunlight).
- 4) Avoid areas where the remote controller can be splashed with water, oil, sauce, etc.
- 5) The remote controller cables carry low voltage, 12VDC digital.



Controllers have to be wired in Parallel. Each Controller can share the same feeder circuit wire.

Controllers cannot be wired in series.

Controller Connection in Parallel



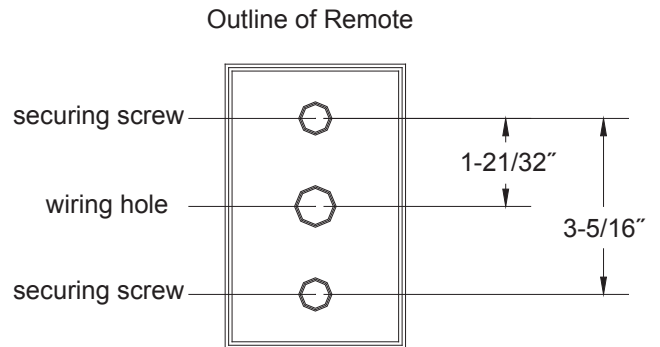
When the Temperature Controller is used in public applications, it should be installed where it can not be adjusted by the public (i.e. a maintenance room or manager's office).



The Temperature Controller(s) have default temperature settings for the Rinnai Water Models. See Controllers Set Pattern page for details.

REMOTE CONTROLLERS INSTALLATION

- 1) Determine a suitable location for the controller.
- 2) Make three holes in the wall as shown.
- 3) Run the cable between the controller and the Rinnai Water Heater or the controller and the other controller.

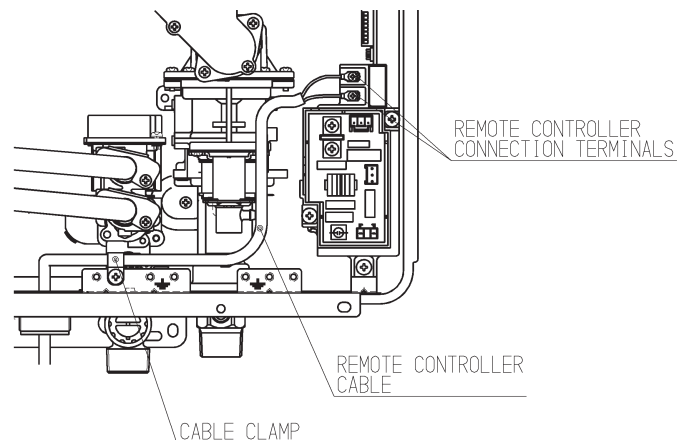


- 4) Remove the face plate from the remote controller, using a screw driver.
- 5) Connect the cable to the remote controller.
- 6) Mount the controller to the wall using the holes drilled in step 2.
- 7) Disconnect the power from the Rinnai Water Heater.
- 8) Remove the cover of the Rinnai Water Heater.
- 9) Remove the plastic cover from the PCB and electrical connections.



DO NOT ATTEMPT TO CONNECT THE REMOTE CONTROLLERS WITH THE POWER ON; THERE IS 120 VOLT POTENTIAL, NEXT TO THE REMOTE CONTROLLER CONNECTIONS INSIDE THE UNIT. **DO NOT CONNECT THE REMOTE CONTROLLER TO THE 120VAC TERMINALS PROVIDED FOR THE OPTIONAL SOLENOID DRAIN VALVES.** All service and wiring should be performed by a registered installer.

- 10) Thread the cable through the access hole at the base of the unit and connect the wires to the controller terminals on the right hand side bottom of the PCB.
- 11) Secure the controller cable using the clamp provided.
- 12) Replace plastic cover over PCB and then replace the cover of the Rinnai Water Heater.



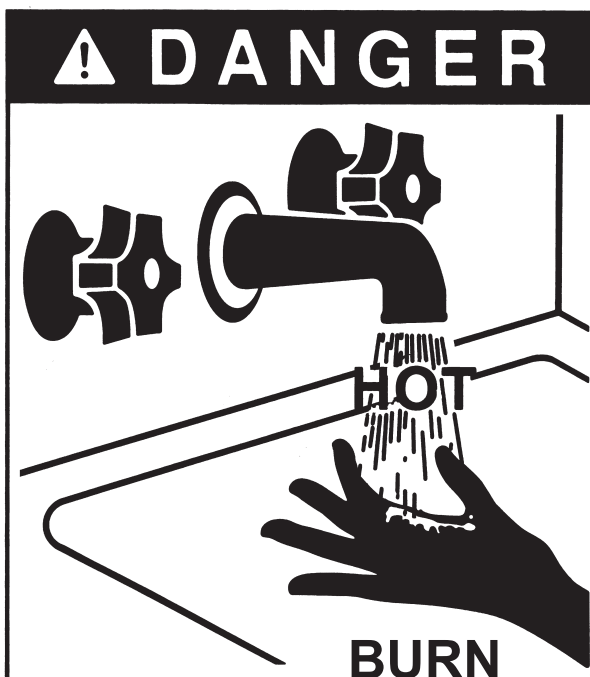
INSTALLATION CHECK LIST



The gas pressure may be low due to too little flow, too high an incoming temperature, and/or undersized gas piping. Examine these areas before determining that the pressure needs to be adjusted. **Contact Rinnai before adjusting manifold pressures at 1-800-621-9419. Failure to contact Rinnai could void unit's warranty.**

- 1) Is gas pressure at product correct? Check the incoming gas pressure at the test point on the gas inlet. Refer to gas pressure check list page for the appropriate pressures.
- 2) Check for water and gas leaks. Use soapy water to test for gas leaks.
- 3) Turn Power on.
- 4) Open any hot water tap fully.
- 5) Check the operation of the unit. Check the operation of each of the remote controller(s).
- 6) Explain the proper operation of the Rinnai Water Heater to the customer.

A B O U T H O T W A T E R



Water Temperatures over 125°F can cause severe burns instantly or death from scalds.

Hot Water can cause first degree burns with exposure for as little as:

3 seconds at 140 °F
20 seconds at 130 °F
8 minutes at 120 °F

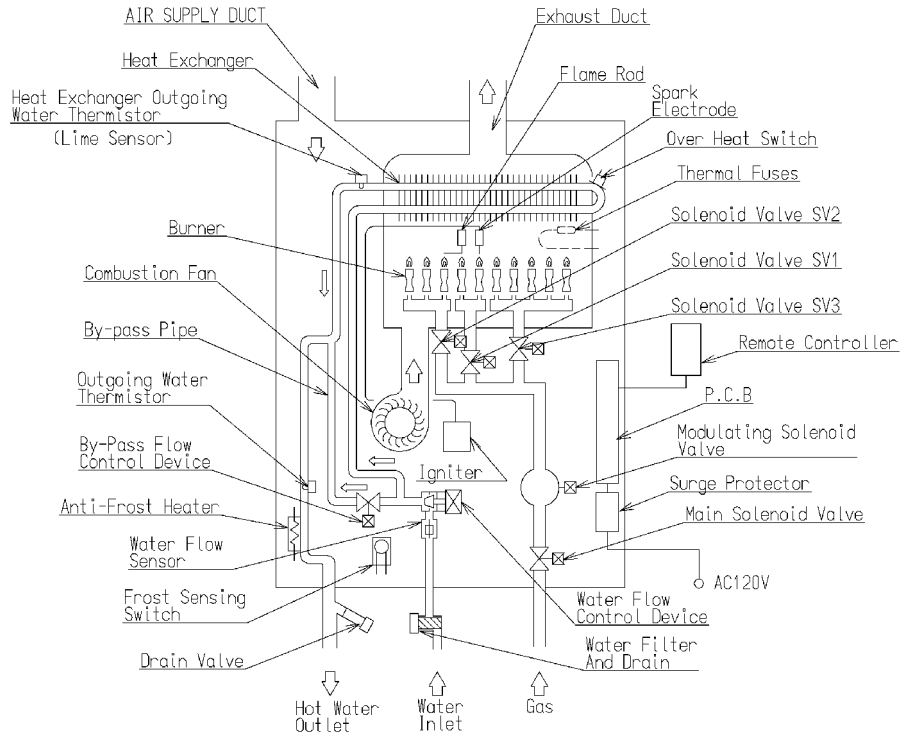
Test the temperature of the water with your elbow before placing a child in the bath or shower.

Do not leave a child or an infirm person in the bath or shower unsupervised.

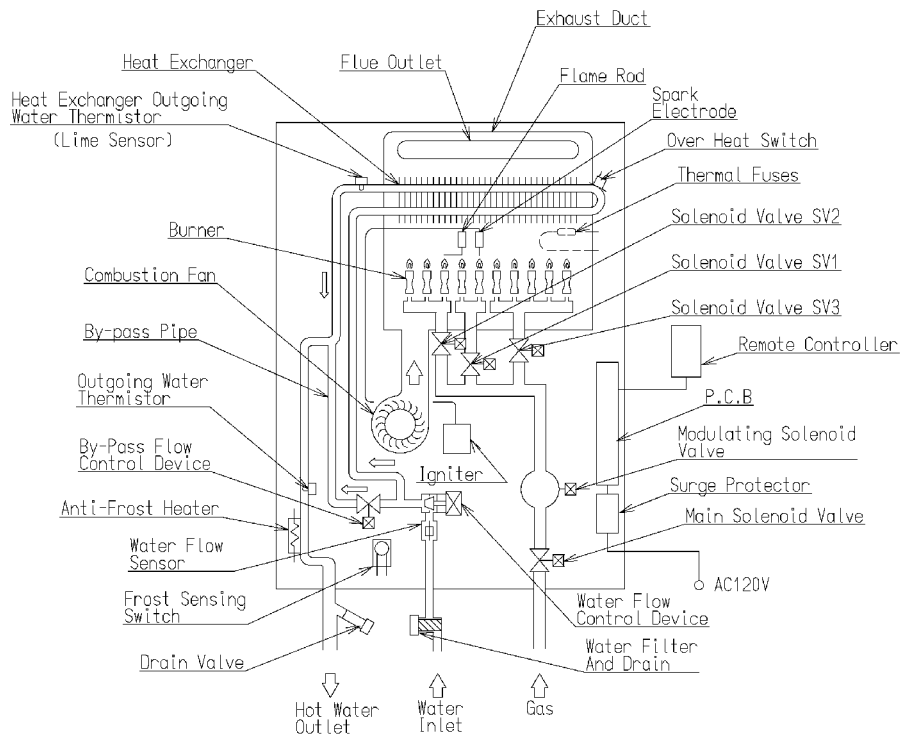
INSTALLER'S INSTALLATION INSTRUCTIONS

Schematic Diagram

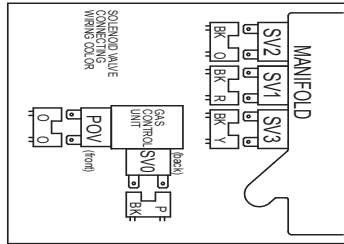
V3237FFU (R98) & V3237FFUC (C98)



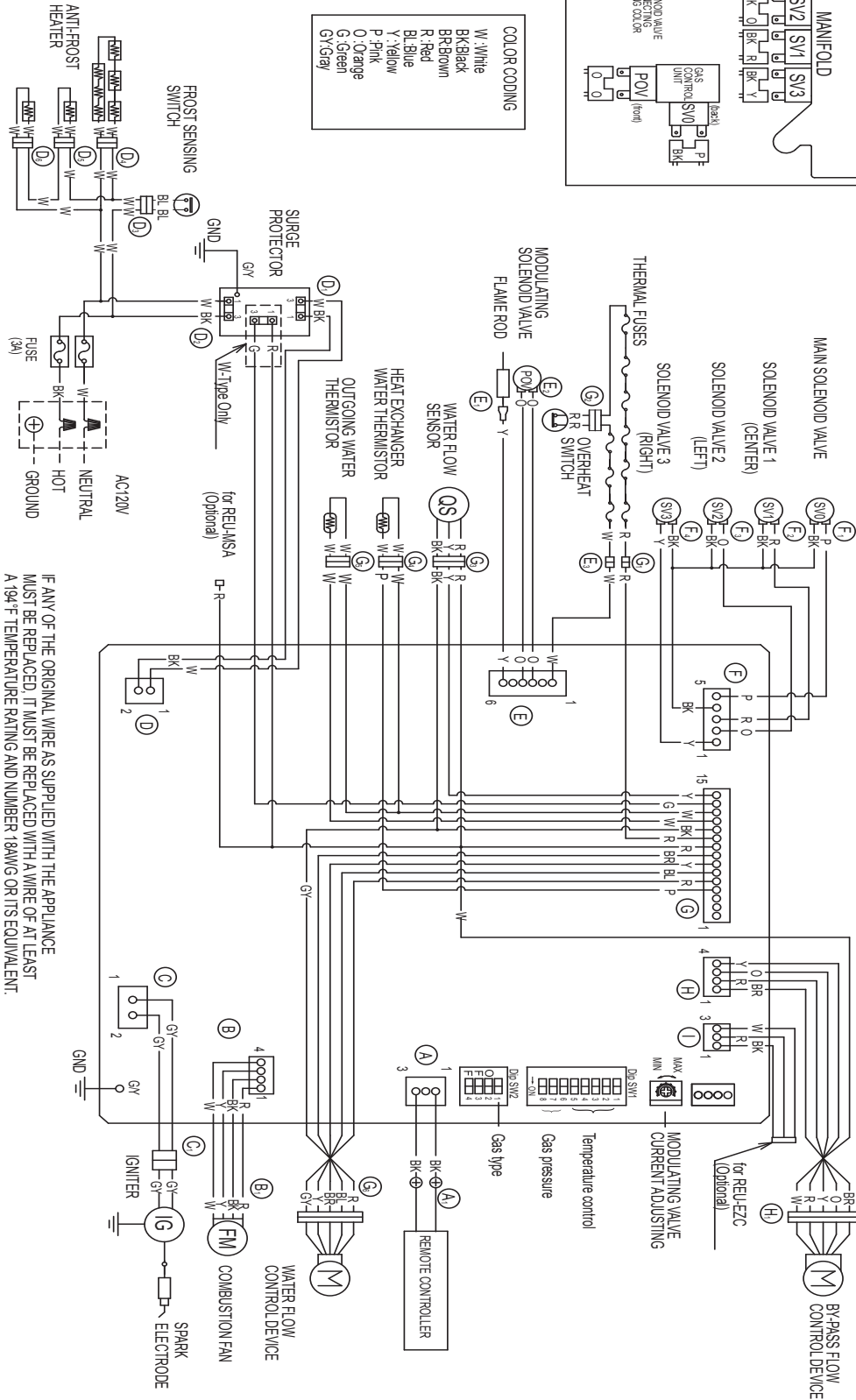
V3237W (R98) & V3237WC (C98)



WIRING DIAGRAM



COLOR CODING	
W	: White
BK	: Black
BR	: Brown
R	: Red
BL	: Blue
Y	: Yellow
P	: Pink
O	: Orange
G	: Green
GY	: Gray



IF ANY OF THE ORIGINAL WIRE AS SUPPLIED WITH THE APPLIANCE MUST BE REPLACED, IT MUST BE REPLACED WITH A WIRE OF AT LEAST A 194°F TEMPERATURE RATING AND NUMBER 18AWG OR ITS EQUIVALENT.

NOTES

Model Number _____

Serial Number _____

Date of Purchase _____

Ask about

WWW.RINNAI.US OR 800-621-9419

Rinnai's other fine products.



Direct Vent Heaters

- "Cool-to-the-Touch" cabinet
- Easily Installed and Safe for Any Room
- Up to 84% Efficient
- Electronic Ignition - No Pilot Light
- Propane or Natural Gas
- Earthquake Proof-Tilt Switch
- Whisper Quiet Blower
- Primary Heat Source



Vent-Free Zone Heaters

- Programmable Thermostat
- 99.9% Efficient, Vent-free
- No Visible Flame
- Oxygen Depletion Sensor
- Secondary Heat Source



Free-Standing and In-Built Fireplaces

- Standard Dimensions
- Thermostat Control
- State-of-the-Art Three Gas Burner System
- Electronic Push Button Ignition
- Remote/Keypad Control
- Programmable Timers



Infrared Heaters

- Wall-mountable or Free-standing
- Works in Power Outages
- 99.9% Energy Efficient
- Natural or Propane Gas
- ODS Safety Sensor
- Ideal for Emergency Heating

Rinnai[®]

HEATERS | WATER HEATERS | FIREPLACES

Rinnai America Corporation
103 International Drive
Peachtree City, GA 30269



060 00012 30082 6

U273-430