

Ubbink

INSTALLATION INSTRUCTIONS



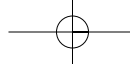
Rolux® Vent System

The installation instructions should be kept with the appliance for maintenance



Contents

Introduction	3
Installation Requirements	
Approvals/codes	4
Do not use with other vent products	4
Inspection	4
Condensate	4
Termination clearance	5
General Installation Instructions	
Joint connection	6
Appliance connection	6
Condensate drain	6
Shortening of vent extensions	7
Parts & Dimensions	8
Installation Instructions Horizontal Discharge Vent System	
Identify the vent location	10
Measure dimension to fit	10
Final installation of the vent system	11
Installation examples	12
Installation Instructions Vertical Discharge Vent System	
Identify the vent location	13
Cut to fit	13
Mounting the vent system	14
Installation examples	15



Introduction

The Ubbink Rolux® concentric vent system is considered part of the direct vent tankless water heater.

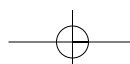
The Ubbink Rolux® concentric vent system was tested and approved with the appliance by a third party testing agency. Check the manufacturer's installation instructions or certificate of compliance to confirm that the Ubbink Rolux® concentric vent system is approved for your direct vent tankless water heater.

The tankless water heater installation instructions take precedence over this document. Always refer to the appliance installation instructions before proceeding with the installation of this product.



WARNING

Improper installation of vent system and components, or failure to follow all installation instructions, can result in property damage or serious injury.



Installation Requirements

Installation and service of Ubbink Rolux® concentric vent systems must be performed by a qualified installer, service agency or the gas supplier.

Approvals/codes

The installation must conform with local codes or, in the absence of local codes, the National Fuel Gas Code, ANSI Z223.1/NFPA 54 and/or CSA B149.1, Natural Gas and Propane Installation Code.

The maximum vent length, as stated in the water heater installation instructions and these instructions, should never be exceeded.

Do not use with other vent products

Ubbink Rolux® vent systems must be used throughout the entire vent system. Do not use vent components from other vent manufacturers when using the Ubbink Rolux® vent system.

Unless approved by the appliance manufacturer, do not connect this Ubbink concentric vent into a common vent system.

Inspection

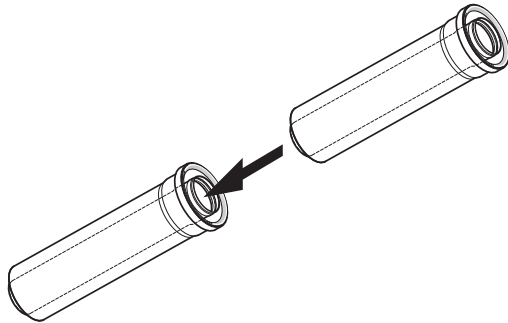
Before installation inspect each vent component for damage and correct seal placement. Do not attempt to fix or install any damaged vent components.

Condensate

When the total vent system length is greater than 5 ft. (1,52 m), condensate will form which could damage the water heater. For vent lengths greater than 5 ft. (1,52 m), a condensate collector and trap must be installed.

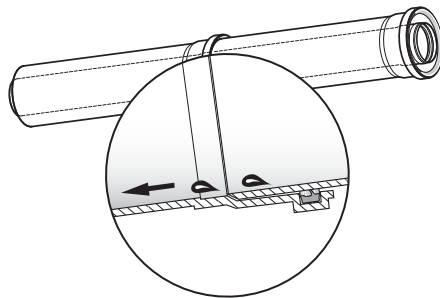
General Installation Instructions

Joint connection



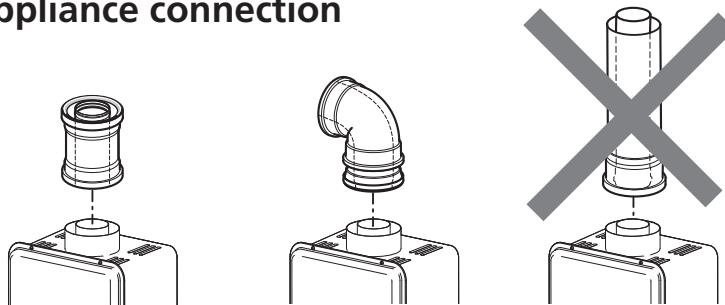
Vent connections others must be firmly pressed together so that the gaskets form an airtight seal.

Coping with condensation



Make sure that the sockets are pointed 1° upwards in order to keep the gaskets dry. (Except for the (short distance) standard horizontal discharge vent system without extensions. See example on page 10, step 2)

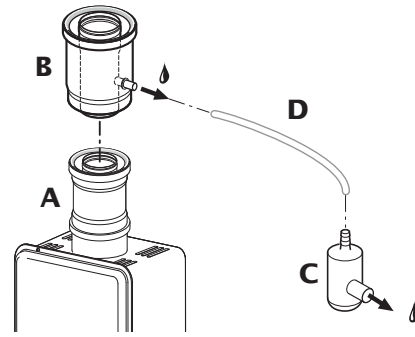
Appliance connection



The first vent component to the appliance must be a vertical discharge adapter or a horizontal discharge adapter. Never use an extension as the first component, this might cause damage to the water heater and vent system. Secure vent connections with pipe clamps or perforated hanger iron.

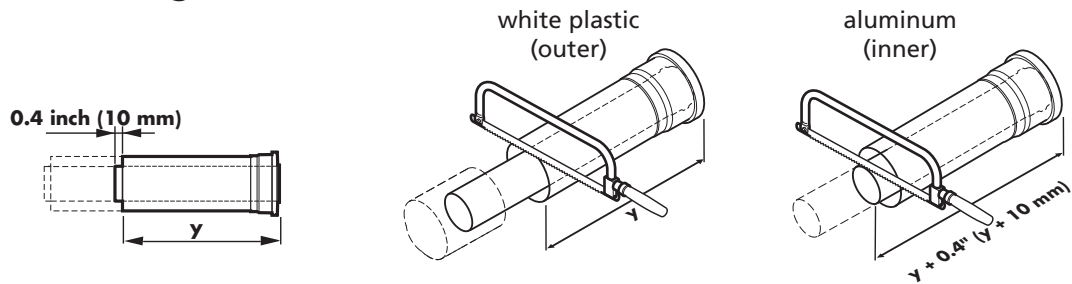
Condensate drain

Every vent system should have a condensate collector unless installed with a length < 5 ft. (1,52 m).



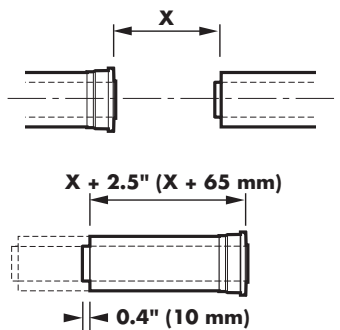
To prevent condensate from draining back to the appliance, a condensate collector (B) and trap (C) should be installed. Attach condensate collector to the discharge adapter (A). The trap must be inspected annually for obstructions and water content in the trap. Provisions must be made to properly drain and dispose of condensate, be aware that condensate is a highly corrosive substance that could damage metals. The hose (D) should be subject to inspection, kinks must be avoided. Dispose of condensate in accordance with local codes. Minimum water level in the condensate trap must be 3" (75 mm).

Shortening of vent extensions



The aluminum inside pipe should always extend 0.4" (10 mm) beyond the white plastic outside pipe on the male end of the vent extension.

Always cut the male end of the vent pipe extension. Do not attempt to cut the female end.



Pipes overlap by 2.5" (65 mm). Therefore when cutting to size, add 2.5" (65 mm) to the extension pipe length (X) needed for installation.

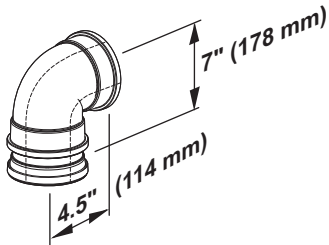
Deburr the sharp edges, other wise the gaskets might get damaged, which can result in the system no longer being air tight.

WARNING

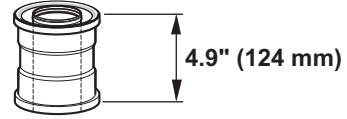
Improper installation of vent system and components, or failure to follow all installation instructions, can result in property damage or serious injury.

Parts & Dimensions

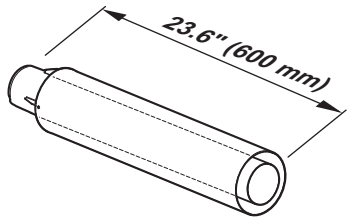
for all Rolux® vent system components



1 horizontal discharge adapter



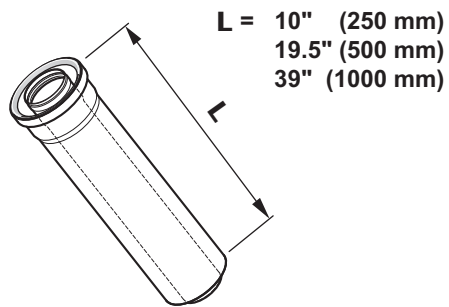
2 vertical discharge adapter



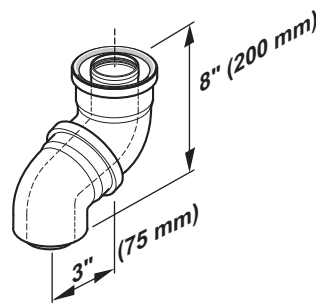
3 wall discharge terminal



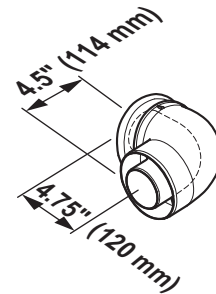
4 rubber wall plate



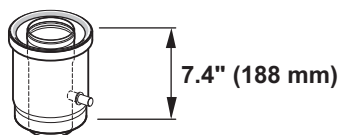
5 vent extension



6 45° vent pipe elbow
(sold in pairs only)



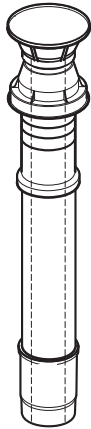
7 90° vent pipe elbow



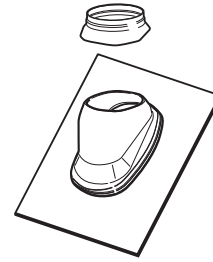
8 condensate collector



9 vent pipe clamp



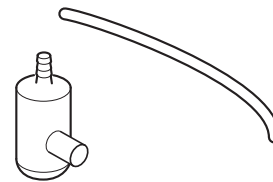
10 vertical discharge roof terminal



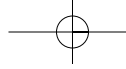
11 pitch roof flashing



12 flat roof flashing



13 condensate trap kit

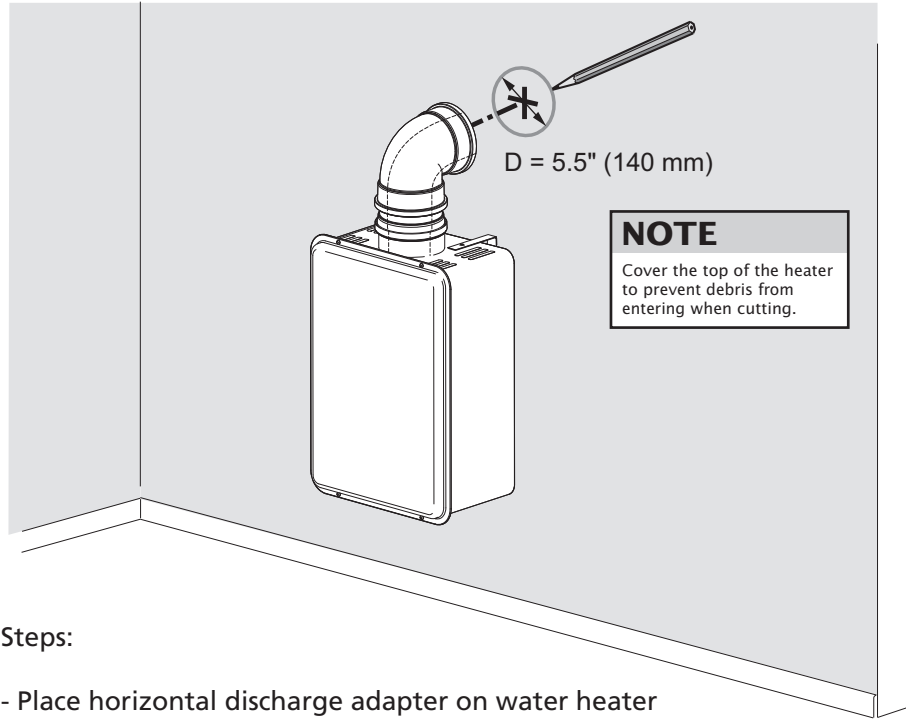


Installation Instructions

Rolux® Horizontal Discharge Vent System

1

Identify the vent location



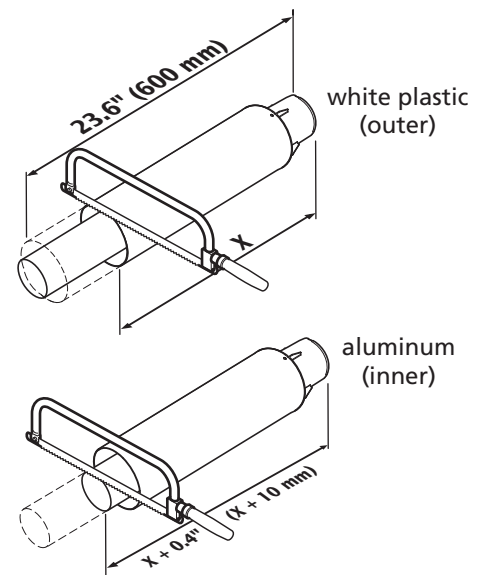
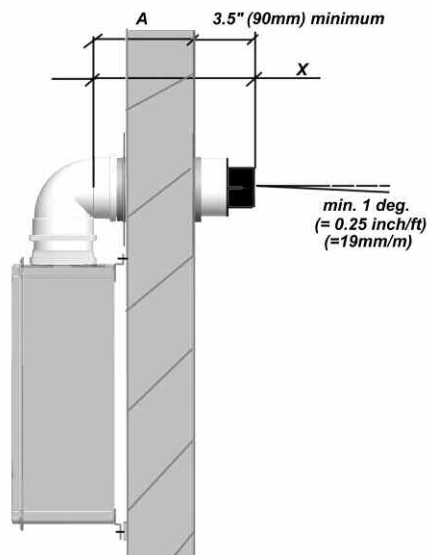
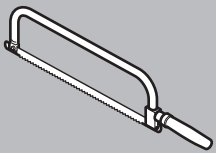
NOTE
Cover the top of the heater to prevent debris from entering when cutting.

Steps:

- Place horizontal discharge adapter on water heater
- Mark position on wall
- Or use template provided with water heater
- Cut hole, covering the top of the water heater to prevent debris from entering

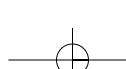
2

Measure dimension to fit



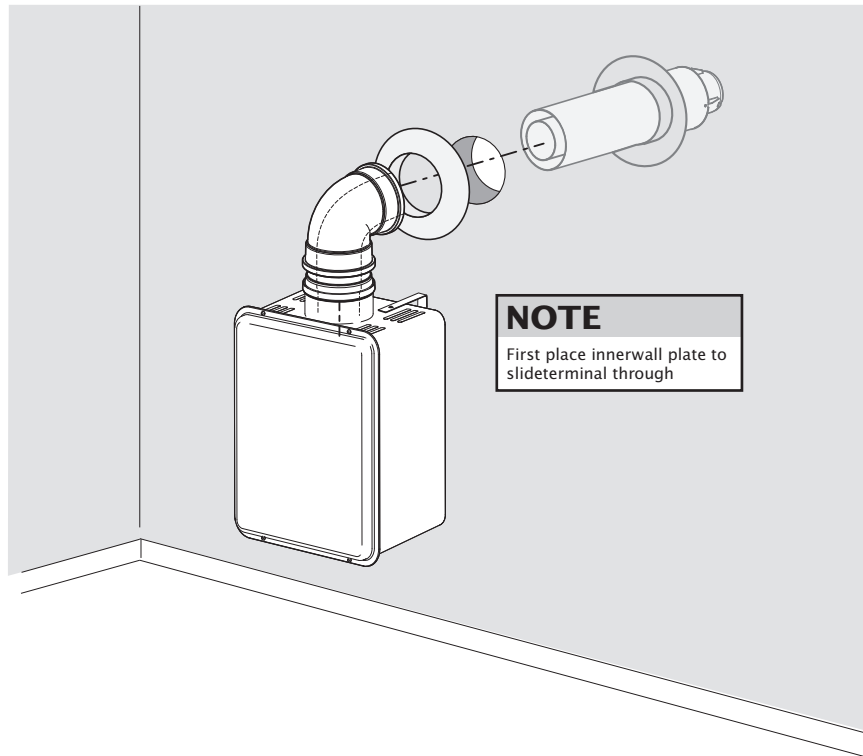
Note: if the vent system is shorter than 5 ft. (1,52 m) and no condensate collector is installed, be sure to install the wall terminal with a 1° angle to the outside of the building.

Note: 3.5" (90 mm) is the minimum outer cap length. If needed the length outside the wall may exceed this dimension.



3

Final installation of the vent system



From the outside of the building, slide the wall discharge terminal through the vent wall passage. A complementary rubber wall plate can be installed on the exterior of the building.

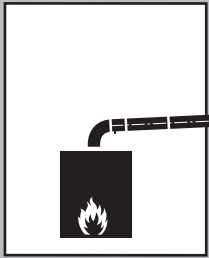
Slide the inner wall plate onto the terminal. If necessary apply silicon sealant to fill up spaces between vent terminal and the wall.

Vent connections must be firmly pressed together so that the gaskets form an airtight seal.

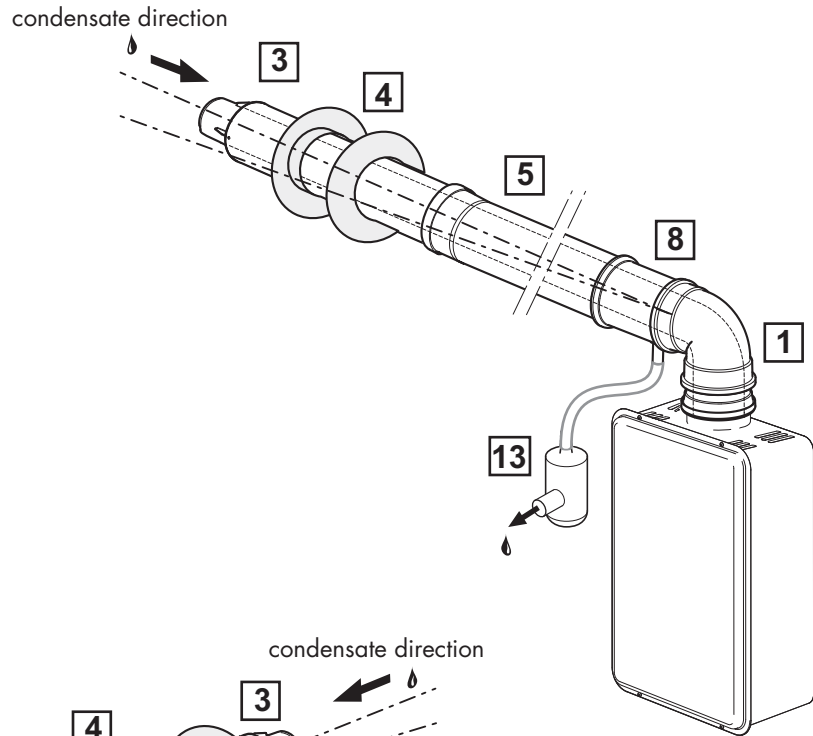
NOTE

When the total vent system length is greater than 5 ft. (1,52 m), condensate will form which could damage the water heater. For vent lengths greater than 5 ft. (1,52 m), a condensate collector and trap must be installed.

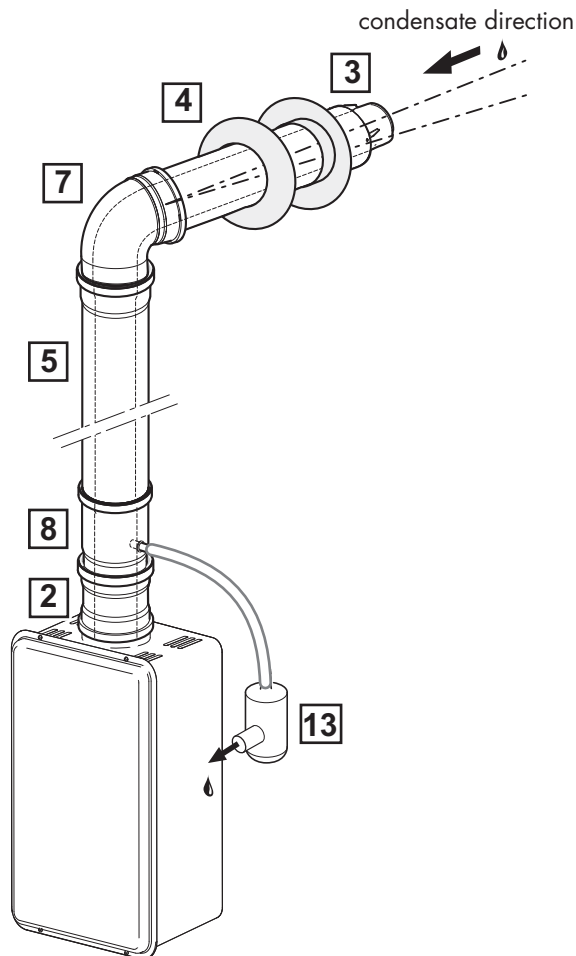
Horizontal Vent System Installation examples



min. 1°
(= 0.25 inch/ft)
(= 19 mm/m)



min. 1°
(= 0.25 inch/ft)
(= 19 mm/m)



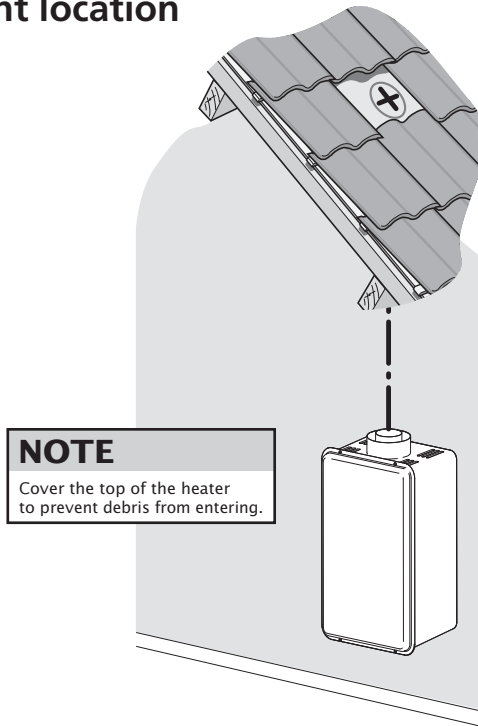
Installation Instructions

Rolux® Vertical Discharge Vent System

1



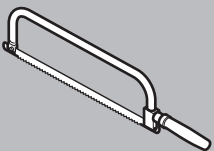
Identify the vent location



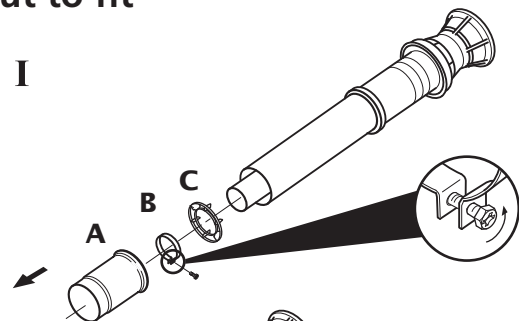
NOTE
Cover the top of the heater to prevent debris from entering.

Determine the location where the roof discharge terminal will be installed. Taking into account the angle of the roof, cut the hole with a dimension that allows the vertical discharge roof terminal to be installed.

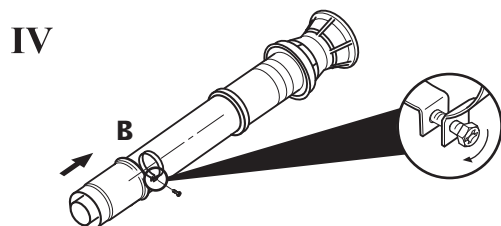
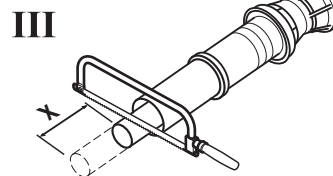
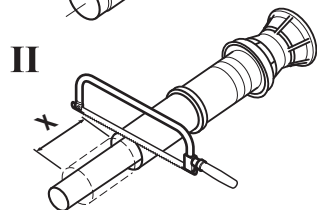
2



Cut to fit



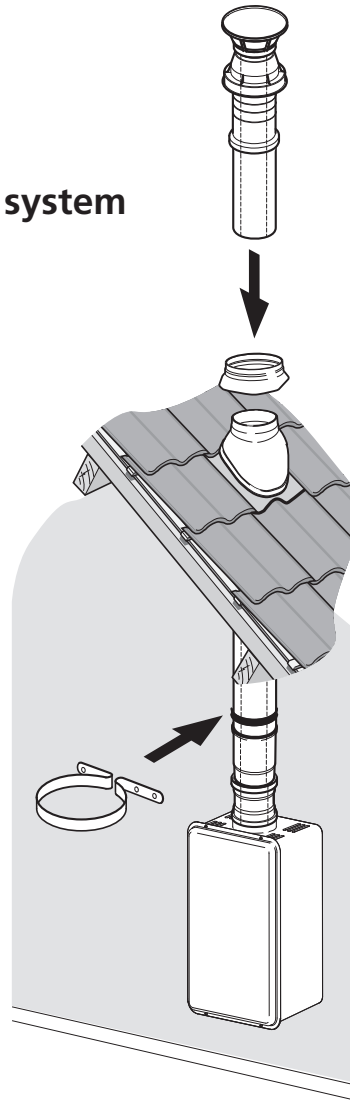
The terminal can be shortened by removing the components A+B+C, and then shortening both the inside and outside pipes with the same length X.



Re-assemble the terminal by attaching the components A, B, and C in the correct order. Tighten component B securely.

3

Mounting the vent system

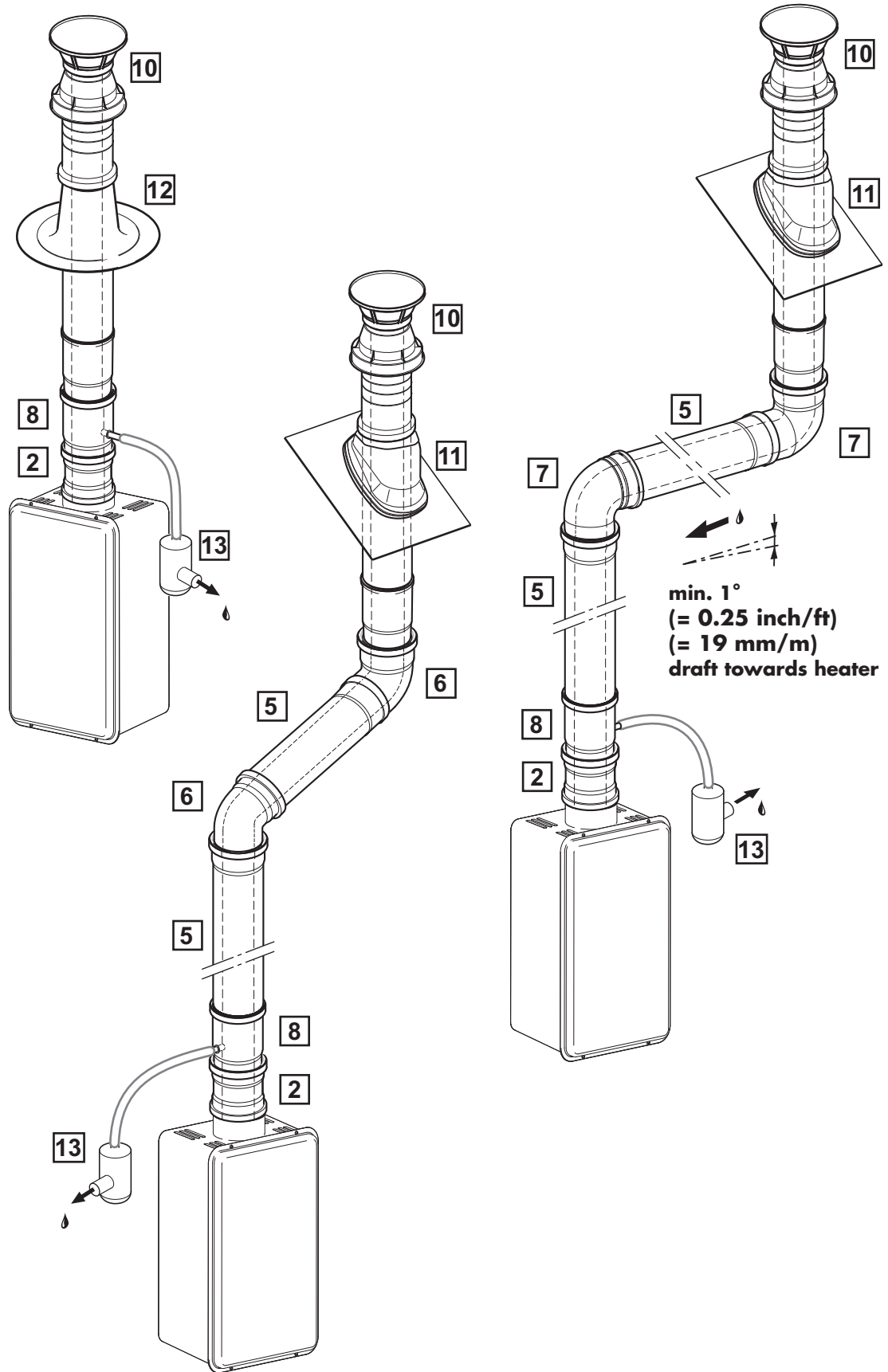


Vent connections must be firmly pressed together so that the gaskets form an airtight seal. Secure the system with the supplied vent pipe clamp or perforated hanger iron.

NOTE

When the total vent system length is greater than 5 ft. (1,52 m), condensate will form which could damage the water heater. For vent lengths greater than 5 ft. (1,52 m), a condensate collector and trap must be installed.

Vertical Vent System Installation examples



Ubbink

Ubbink bv
P.O. Box 26
6980 AA Doesburg
The Netherlands
T +31 313 48 02 00
F +31 313 47 39 42
info@ubbink.nl
www.ubbink.nl

article code: 0072323 05/06
version 1.1

