

- This pipe cover box will fit the R63-LSe.
- For your safety, always wear safety glasses and gloves.
- To use this product correctly and safely, please read and follow these assembly and installation instructions.
- Carefully unpack and identify each component before attempting to assemble. Refer to Parts List.

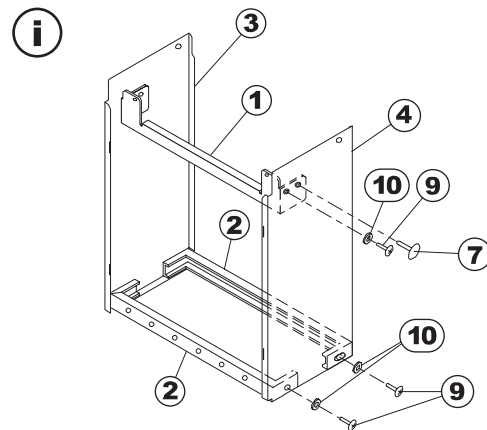
### PIPE COVER PCD01-SM2 PARTS LIST

The PCD01-SM2 pipe cover kit comes with the following items:

Part No.	Description	Quantity
①	Top Frame	1
②	Bottom Frame	2
③	Left Panel	1
④	Right Panel	1
⑤	Front Panel	1
⑥	L Bracket	2
⑦	Plastic Retaining Clip	2
⑧	Screw M4x12	4*
⑨	Screw M4x8	6
⑩	Plastic Washer M4	10*
⑪	Hex Head Screw M5x8	2
⑫	Wall Anchor	2
⑬	Screw 4.8x32	2

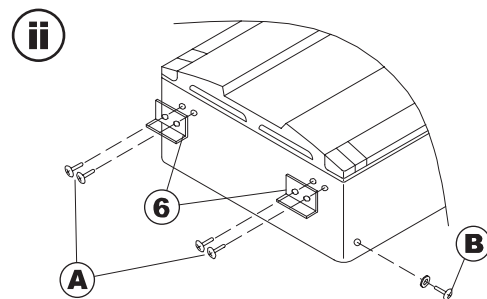
### i INITIAL ASSEMBLY

1. Assemble the top frame ① to the left ③ and right ④ panels with the plastic retaining clips ⑦. Once in place secure these parts with screws ⑨ and plastic washers ⑩.
2. Secure the two bottom frames ② to the left ③ and right ④ panels with screws ⑨ and plastic washers ⑩.



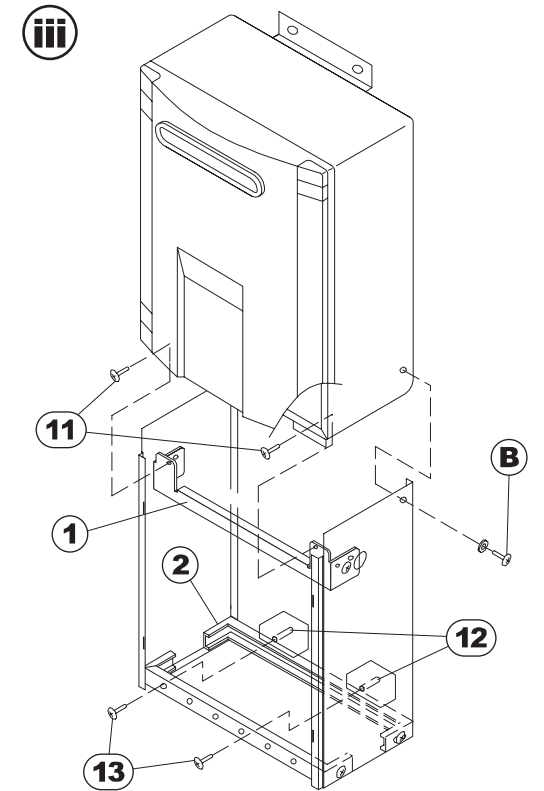
### ii APPLIANCE PREPARATION

3. Remove the mounting screws (A) and (B) from the bottom and sides of the appliance.
4. Install the two L brackets (6) to the bottom of the appliance with the screws (A) removed in step 3, ensuring the tab of the L brackets face to the rear of the appliance.



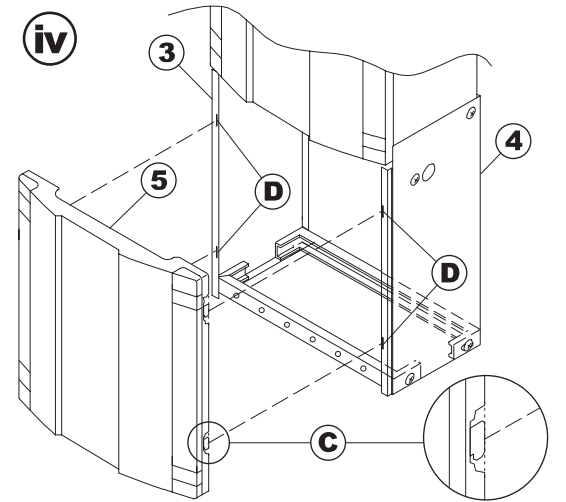
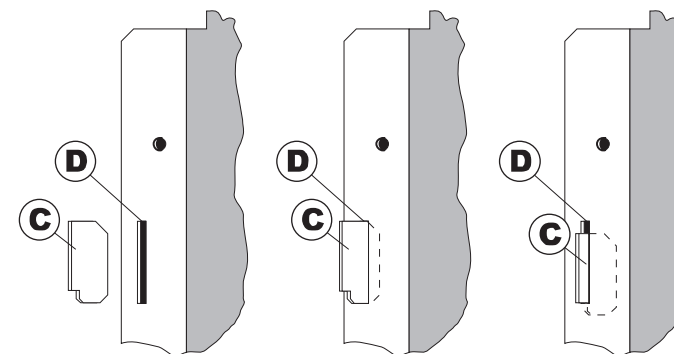
### iii PIPE COVER INSTALLATION

5. Temporarily fit the pipe cover assembly into the bottom of the appliance, using the side mounting holes with the screws (B) that were removed from the appliance sides in step 3. Do not fully re-tighten these screws as they will be removed again in step 8.
6. Loosen the screws of the 'rear' bottom frame (2) and move the frame into its final position. Once satisfied re-tighten screws.
7. Select two suitable fixing points through the 'rear' of the bottom frame (2) and mark off their position on the wall.
8. Remove the pipe cover assembly from the appliance and drill two holes in the wall as marked. If using the wall anchors (12) supplied, a 5mm diameter hole to a depth of 25mm is required.
9. Gently tap the wall anchors (12) into the drilled holes until flush with the wall surface.
10. Refit and secure the pipe cover assembly onto the bottom of the appliance using the side mounting holes and screws (B). Secure the top frame (1) of the pipe cover assembly to the appliance via the L brackets (6) with two hex head screws (11).
11. Secure the pipe cover to the wall through the 'rear' bottom frame (2) with two screws (13).



### iv FITTING FRONT PANEL

12. Attach the front panels (5) to the pipe cover assembly by inserting the four tab hooks (C) into the slots (D) of the left (3) and right (4) panels (see tab hook and slot detail below).



13. Open the small hinged panels on the top and bottom of the plastic side trims. Remove the retaining clips and discard. Slide the front panel upwards in the slots (D) and fasten in place using the screws (8) and washers (10).