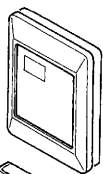
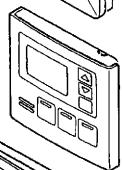


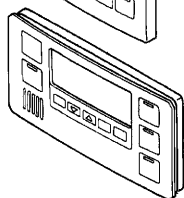
# EXPLODED VIEW - CABINET



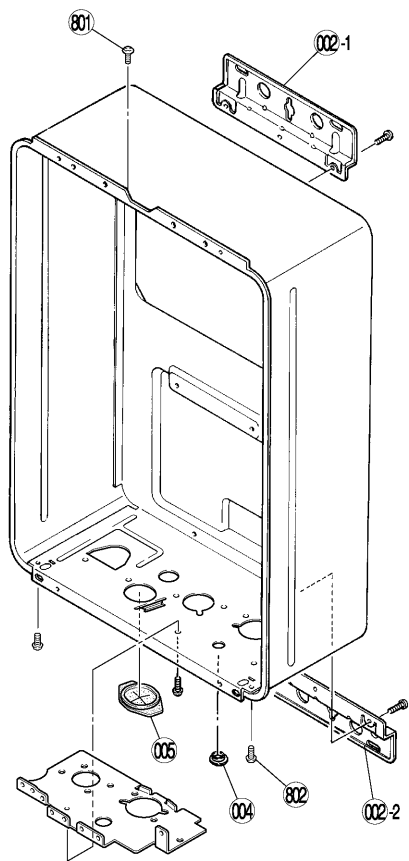
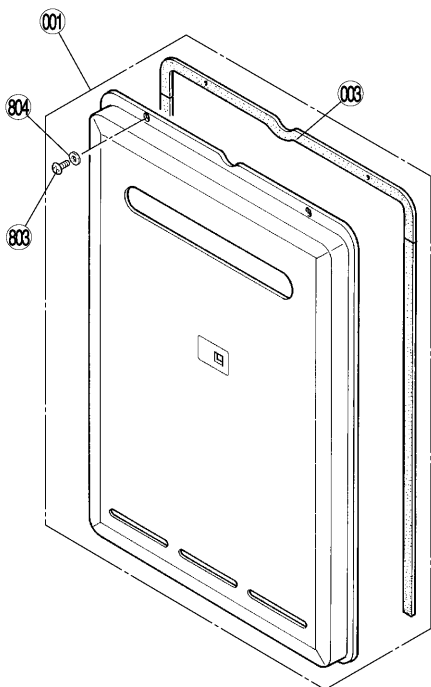
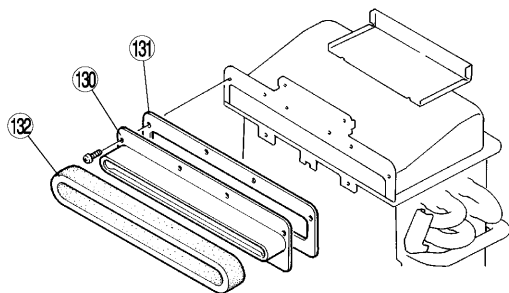
MC-91-1US(include)



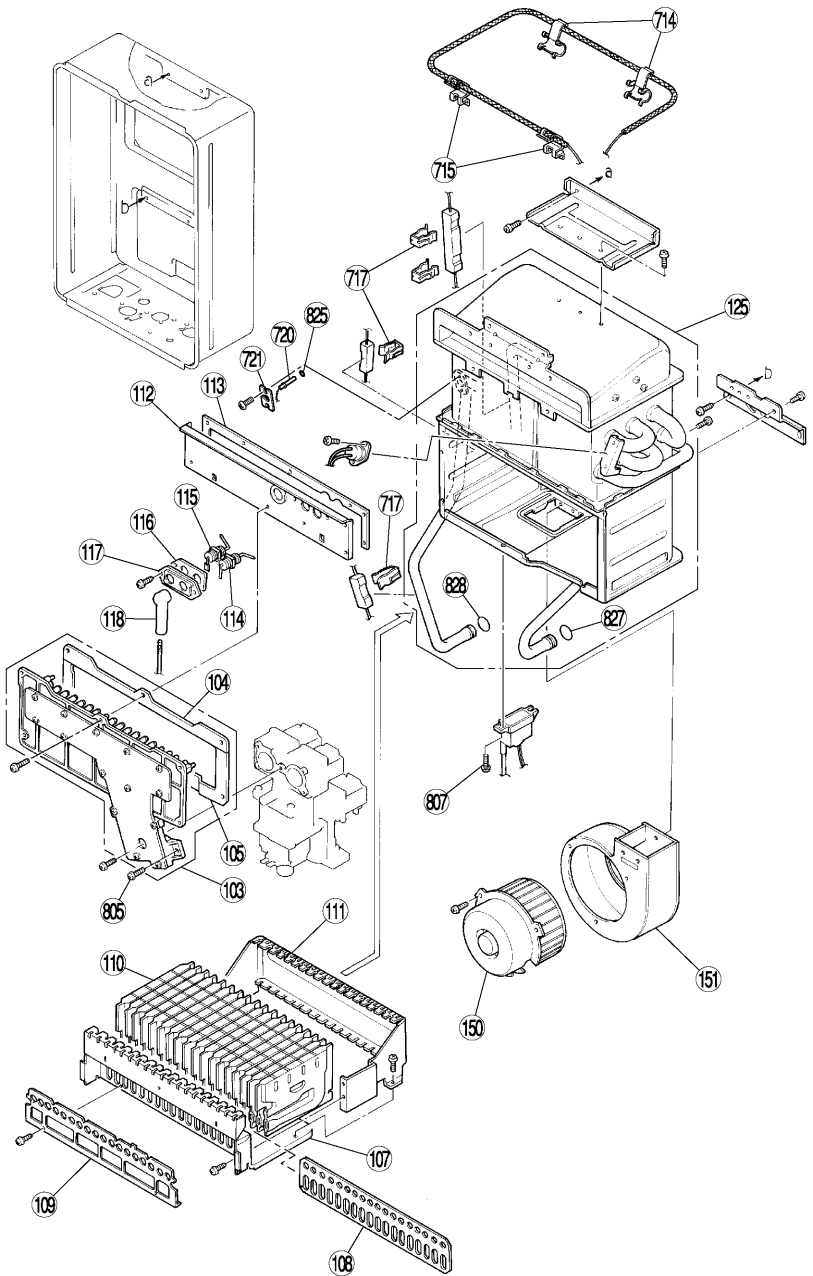
MC-100V-1US(optional)



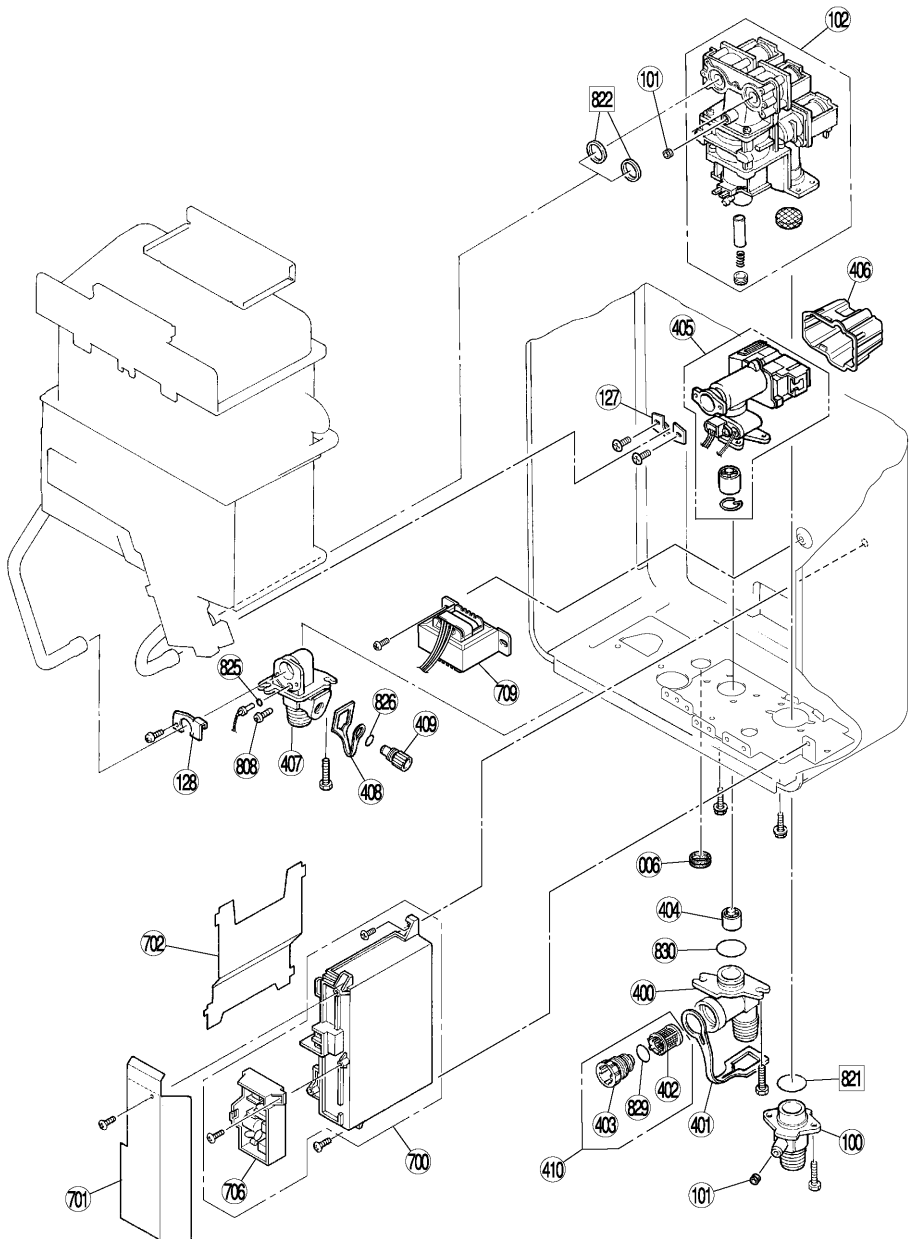
BC-100V-1US(optional)



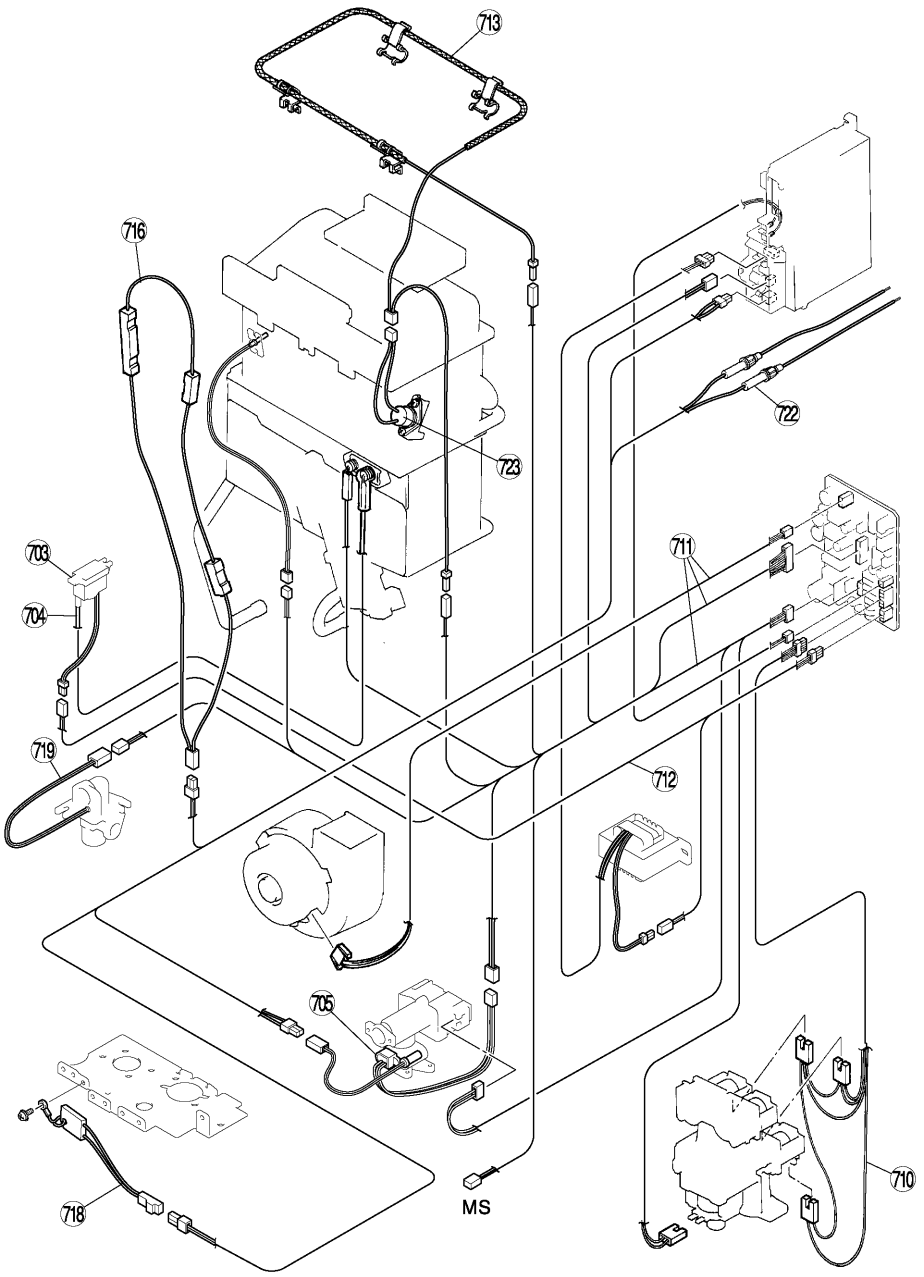
# EXPLODED VIEW - INTERNALS



# EXPLODED VIEW - INTERNALS



# EXPLODED VIEW - ELECTRICAL



## PARTS LIST

Number	Description	Part Number	Quantity		Number	Description	Part Number	Quantity		Number	Description	Part Number	Quantity	
			V2020W/WC	V1616W/WC				V2020W/WC	V1616W/WC				V2020W/WC	V1616W/WC
001	Front Panel (Residential model)	U250-121-9	1	-	117	Electrode Holder	AH66-393	1	1	709	Transformer Assembly	ET-281	1	1
001	Front Panel (Residential model)	U250-121-10	-	1	118	Electrode Sleeve	AU206-218	1	1	710	Magnet Valve Harness	U250-604	1	1
001	Front Panel (commercial model)	U250-121-12	1	-	125	Heat Exchanger Assembly-US (Residential model)	U250-1790	1	-	711	Sensor Harness-US	U250-1730	1	1
001	Front Panel (commercial model)	U250-121-13	-	1	125	Heat Exchanger Assembly-US (commercial model)	U250-1790-C	1	-	712	100V Harness	U250-1733	1	1
002	Wall Hang Bracket	BU195-121	2	2	127	Heat Exchanger Assembly-16-US (Residential model)	U250-1792	-	1	713	Thermal Fuse Assembly-US	U250-1736	1	-
003	Front Panel Packing	U250-165	3	3	127	Heat Exchanger Assembly-16-US (commercial model)	U250-1792-C	-	1	713	Thermal Fuse Assembly-16-US	U250-1738	-	1
004	Rubber Bush	AU105-113	1	1	128	Stop Bracket A	U222-703-2	1	1	714	Temperature Fuse Fixing Plate	U217-676	2	2
005	Rubber Bush	U250-1725	1	1	130	Flue Outlet	U217-405-2	1	-	715	Temperature Fuse Fixing Plate	U250-670	3	3
006	Rubber Bush	CF79-41020-A	1	1	130	Flue Outlet	U216-405-2	-	1	716	Valve Heater Assembly	U250-1740	1	1
100	Gas Connection (3/4" NPT)	CU195-1866	1	1	131	Flue Outlet Packing	U217-406	1	-	717	Heater Fixing Plate	AU100-721	4	4
101	Blind Screw	AU39-965	2	2	131	Flue Outlet Packing	U216-406	-	1	718	Low Temperature Thermal SW	H73-750	1	1
102	Gas Control Assembly	C36E-49-S	1	1	132	Front Panel Sealing Packing	BH29-486-I	1	-	719	Thermistor	BH45-650	1	1
103	20-Manifold Assembly -A (Prop.G)	U250-210-A-AS	1	-	132	Front Panel Sealing Packing	BH29-486-H	-	1	720	Thermistor	U244-644	1	1
103	20-Manifold Assembly -B (Nat.G)	U250-210-B-AS	1	-	150	Fan Motor Assembly	U250-555	1	1	721	Retainer(large)	CP-90172	1	1
103	16-Manifold Assembly -A (Prop.G)	U250-200-A-AS	-	1	151	Fan Casing Assembly	CU169-552	1	1	722	Fuse Harness	U250-1734	1	1
103	16-Manifold Assembly -B (Nat.G)	U250-200-B-AS	-	1	400	3/4NPT Water Inlet	H73-501-2	1	1	723	Mold Type Over Heat Switch	BU129-821-2	1	1
104	Manifold Packing Upper	U250-218	1	-	401	Plug Band	U250-631	1	1	801	Screw	CP-30583	2	2
104	Manifold Packing Upper	U250-208	-	1	402	Water Filter Assembly	H98-511	1	1	802	Screw	ZFDB0408UK	2	2
105	Manifold Packing Lower	U250-219	1	-	403	Filter Plug	H98-510	1	1	803	Screw	CP-30580	4	4
105	Manifold Packing Lower	U250-209	-	1	404	Rectifier	M8D1-15	1	1	804	Resin Washer	AU33-184	4	4
107	Burner Case Front Panel-20	U250-331	1	-	405	Water Flow Servo & Sensor Assembly	M8E-14-2	1	1	805	Cup Screw	CP-21478-412	3	3
107	Burner Case Front Panel-16	U250-311	-	1	406	Water Flow Servo Cover	U250-530	1	1	807	Screw	CP-80452	1	1
108	Packing	U217-313	1	-	407	3/4NPT Hot Water Connector	U217-442-C	1	1	808	Thermistor Stop Screw	U217-449	1	1
108	Packing	U216-313	-	1	408	Plug Band (small)	AU103-413	1	1	821	O-ring	M10B-1-24	1	1
109	Damper	U250-334	1	-	409	Drain Valve	AU142-444	1	1	822	Packing	C36E1-6	2	2
109	Damper	U250-314	-	1	410	Water Filter All Assembly	H98-510-S	1	1	825	O-ring	M10B-2-4	2	2
110	Lean and Rich unsen Burner Assembly	B3A6-1	18	14	700	P.C.B.	U250-1750	1	1	826	O-ring	M10B-2-7	1	1
111	Burner Case Rear Panel	U217-312	1	-	701	EC Cover	U250-1755	1	1	827	O-ring	M10B-2-12.5	1	1
111	Burner Case Rear Panel	U216-312	-	1	702	Electric Unit Cover	BU195-507	1	1	828	O-ring	M10B-2-14	1	1
112	Combustion Chamber Front Plate	U217-306	1	-	703	Sparker	EI-189	1	1	829	O-ring	M10B-2-16	1	1
112	Combustion Chamber Front Plate	U216-306	-	1	704	High Tention Code	BH38-710-240	1	1	830	O-ring	M10B-2-18	1	1
113	Combustion Chamber Packing	U217-307	1	-	705	MR Sensor	M8D1-10-4	1	1	888	Owner's Manual	U245-2600	1	1
113	Combustion Chamber Packing	U216-307	-	1	706	Surge Protector	BU195-1873	1	1	-	Package Spec Sheet	PWB305B	1	1
114	Electrode	H73-120	1	1						-	Manual 3/4" gas control valve	BU195-1865	1	1
115	FR Electrode	U250-295	1	1						-	Remote Controller (include)	MC-91-1US	1	1
116	Electrode Packing-2	AH66-398-2	1	1						-	Deluxe Controller (optional)	MC-100V-1US	1	1
										-	Deluxe Bathroom Controller (optional)	BC-100V-1US	1	1