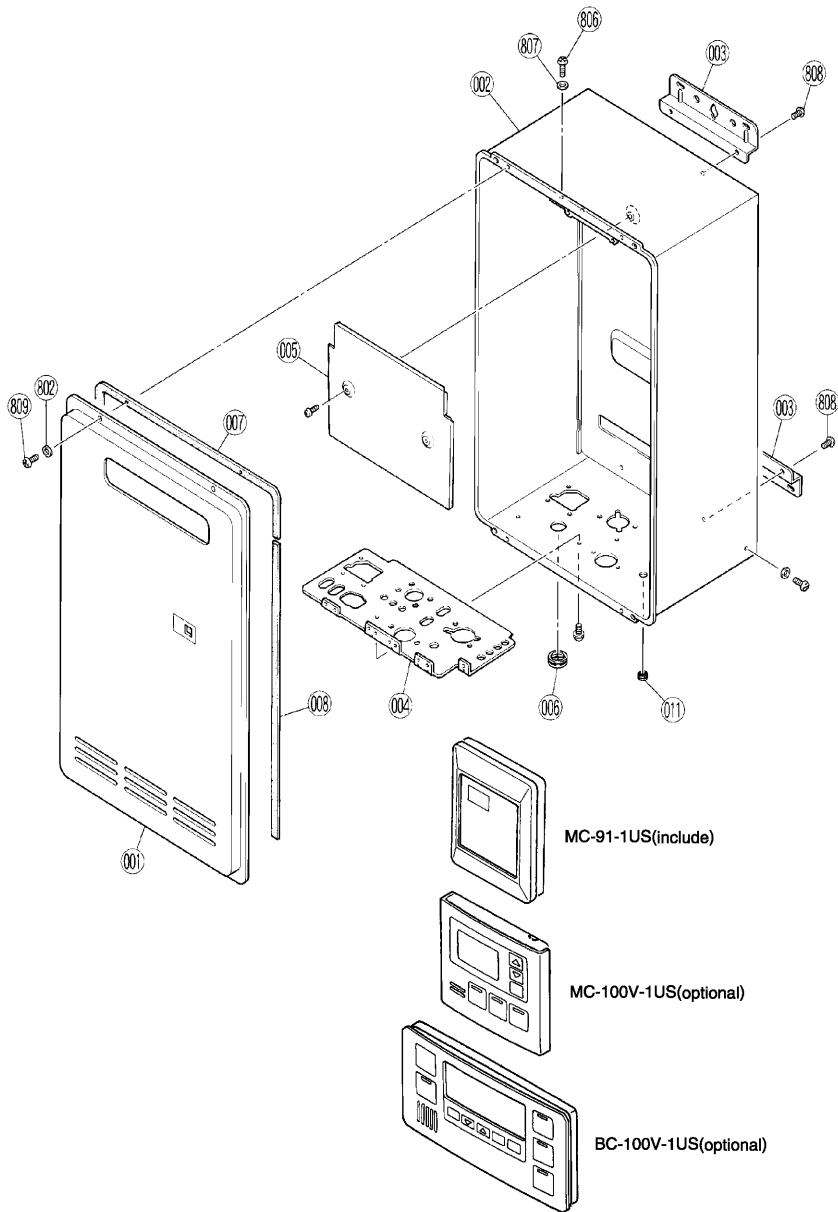
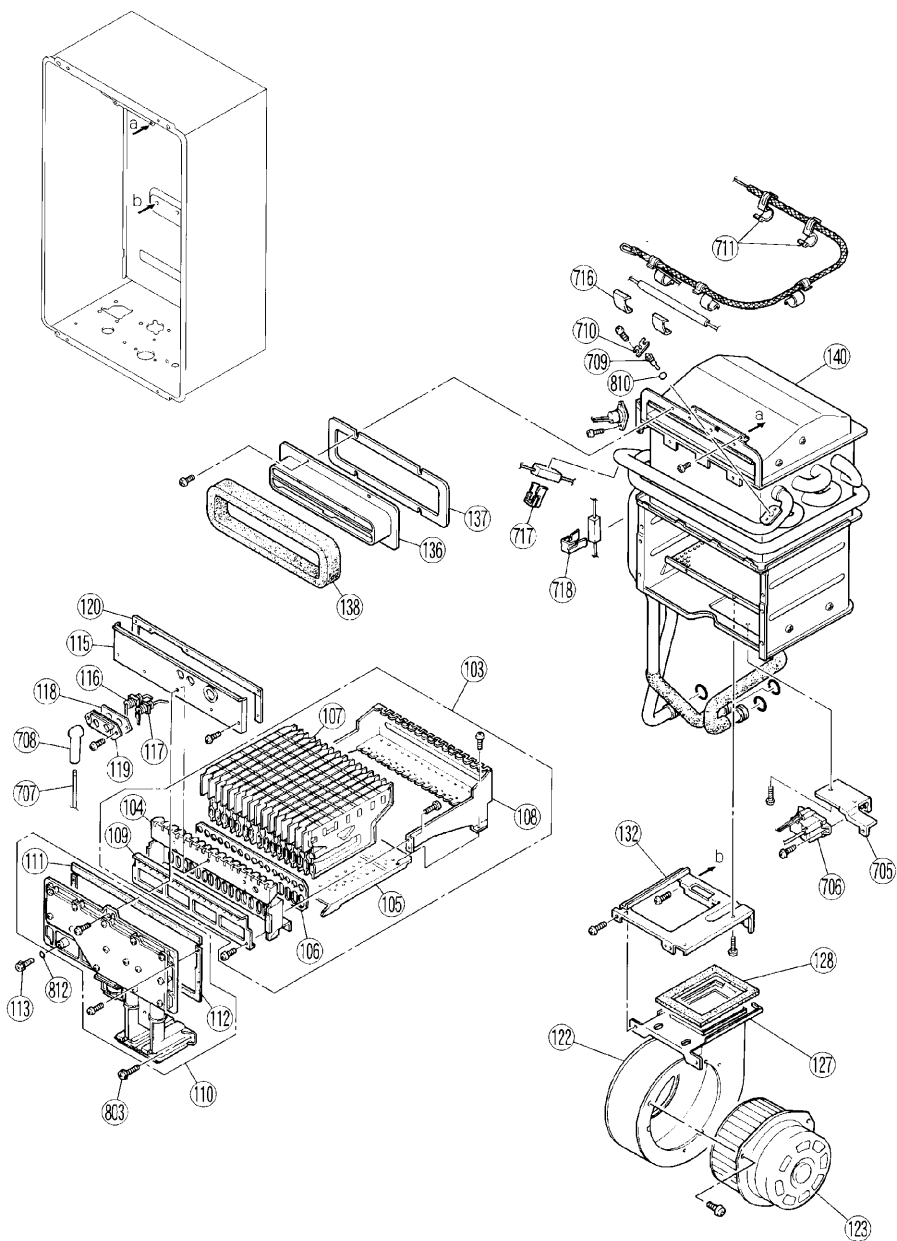


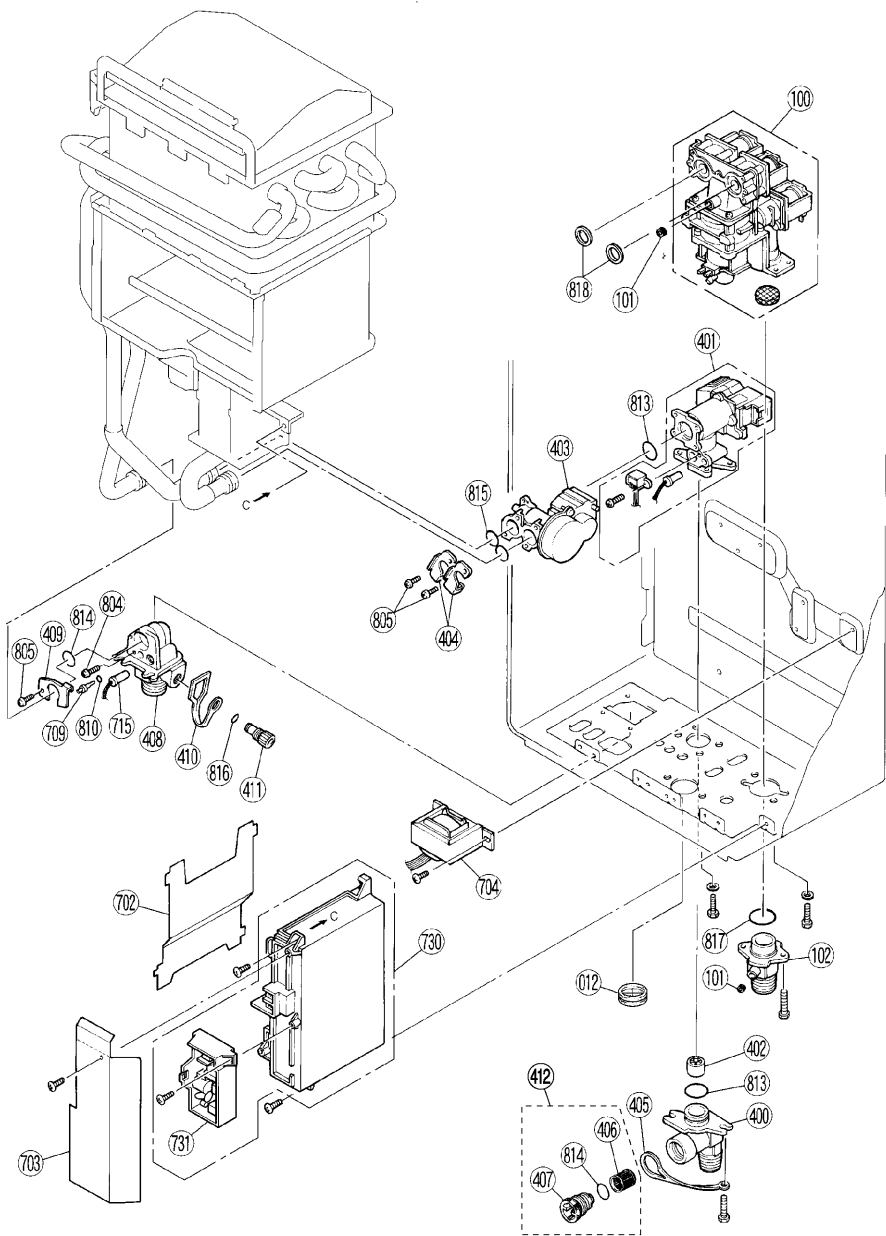
EXPLODED VIEW - CABINET



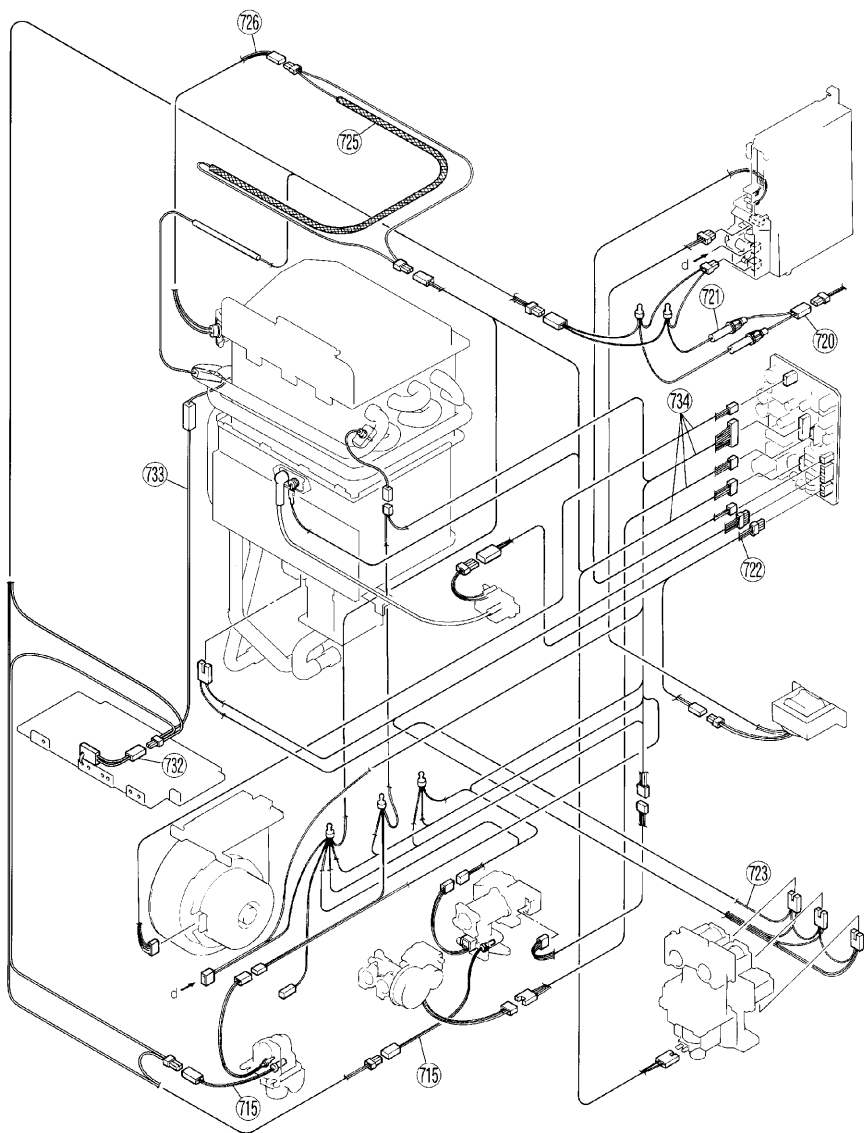
EXPLODED VIEW - INTERNALS



EXPLODED VIEW - INTERNALS



EXPLODED VIEW - ELECTRICAL



PARTS LIST

Number	Description	Part Number	Quantity		Number	Description	Part Number	Quantity		Number	Description	Part Number	Quantity	
			V2532W/WC	V2526W				V2532W/WC	V2526W				V2532W/WC	V2526W
001	Front Panel Assembly (Residential model)	U245-1110	1	1	123	Blower Motor	H89-261	1	1	717	Anti-Frost Heater Clip A	AU111-653	1	1
001	Front Panel Assembly (Commercial model)	U245-1110-2	1	-	127	Fan Connecting Bracket	BH29-606	1	1	718	Anti-Frost Heater Clip	AU100-721	1	1
002	Casing Assembly (Residential model)	U245-1100	1	1	128	Fan Connecting Packing	AU183-562	1	1	720	Power Supply Harness	AU195-1876	1	1
002	Casing Assembly (Commercial model)	U245-1100-2	1	-	132	Combustion Chamber Bracket	U245-255	1	1	721	Fuse Harness	BU195-1630	1	1
003	Wall Installation Bracket	U195-121	2	2	135	Flue Outlet Assembly	U245-1131	1	1	722	100V Harness	U245-601	1	1
004	Connection Reinforcement Panel	U245-120	1	1	136	Flue Outlet	U245-1130	1	1	723	Solenoid Valve Harness	U245-602	1	1
005	Heat Protection Plate	U245-107	1	1	137	Flue Outlet Packing	U245-1122	1	1	725	Thermal Fuse Harness	U245-610	1	1
006	Rubber Bushing	CF79-41020-A	1	1	138	Flue Outlet Packing - 6	AH24-653-6	1	1	726	Mold-Type Over Heat Switch	BU129-821-2	1	1
007	Front Panel Packing	BU195-167	1	1	140	Heat Exchanger Complete Assembly	U245-1310	1	-	730	PCB	U245-1200	1	-
008	Front Panel Packing Side	AU115-163	2	2	140	Heat Exchanger Complete Assembly	U245-2520	-	1	730	PCB	U245-2540	-	1
009	Cable Connection	BU56-602-N	1	1	400	Water Inlet (3/4"NPT)	H73-501-2	1	1	731	Surge Protector	BU195-1873	1	1
010	Cable Seal Packing	AU169-126	1	1	401	Water Flow Servo & Sensor Assembly	M8E-15	1	-	732	Frost Sensing Switch	H73-750	1	1
011	Seal Packing	AU105-113	1	1	401	Water Flow Servo & Sensor Assembly	M8E-14	-	1	733	120V Anti-Frost Heater Assembly	U245-1320	1	1
100	Gas Control Assembly	C36E-41-S	1	1	402	Rectifier	M8D1-15	1	1	734	Sensor Harness - 2	U245-603-2	1	-
101	Screw	AU39-965	2	2	403	By-pass Servo Assembly	M6J-1-3	1	-	734	Sensor Harness - 5	U245-603-5	-	1
102	Gas Connection (3/4"NPT)	CU195-1866	1	1	404	Stop Bracket	AH69-310	2	-	802	Washer	AU33-184	4	4
103	Burner Unit Assembly	H73-110	1	1	404	Stop Bracket	AU195-321	-	1	803	Screw	CP-21478-412	3	3
104	Burner Case Front	CH51-209	1	1	405	Plug Band	H73-512	1	1	804	Screw	U217-449	1	1
105	Burner Case Bottom Panel	H73-112	1	1	406	Water Filter Assembly	H98-511	1	1	805	Screw	ZAA0408UK	3	3
106	Packing	BH51-218	1	1	407	Filter Plug	H98-510	1	1	806	Screw	ZBD0508UK	2	2
107	Lean and Rich Bunsen Burner Assembly	B3A7-1	16	16	408	Hot Water Outlet (3/4"NPT)	U245-865-3	1	1	807	Screw	AU48-174	2	2
108	Burner Case Back Panel	CH51-211	1	1	409	Stop Bracket	AU162-1876	1	1	808	Screw	ZBA0510UK	4	4
109	Damper	H73-115	1	1	410	Plug Band Small	AU103-413	1	1	809	Screw	ZAD0408TK	4	4
110	Manifold Assembly-A (LPG)	U245-200-A	1	1	411	Drain Valve	AU142-444	1	1	810	O-ring	M10B-2-4	2	2
110	Manifold Assembly-C (Nat. G)	U245-200-C	1	1	412	Water Filter All Assembly	H98-510-S	1	1	812	O-ring	M10B-13-4	1	1
111	Packing of Combustion Chamber	AU155-207-2	1	1	702	PCB Cover-Side	BU195-507	1	1	813	O-ring	M10B-2-18	2	2
112	Lower Packing of Combustion Chamber	H73-214	1	1	703	PCB Cover-Front	BU168-707	1	1	814	O-ring	M10B-2-16	2	2
113	Screw	C10D-5	1	1	704	Transformer Assembly	ET-281	1	1	815	O-ring	M10B-2-14	2	2
114	Combustion Chamber Front Plate Assembly	U245-260	1	1	705	PCB Bracket	U245-257	1	1	816	O-ring	M10B-2-7	1	1
115	Combustion Chamber Front Plate	U245-261	1	1	706	Ignitor	EI-189	1	1	817	O-ring	M10B-1-24	1	1
116	Electrode	H73-120	1	1	707	High Tension Cord	BH38-710-240	1	1	818	Packing	C36E1-6	2	2
117	Flame Rod	AH41-216	1	1	708	Electrode Sleeve	AU206-218	1	1	888	Owner's Manual	U245-2600	1	1
118	Electrode Packing	AH66-398	1	1	709	Thermistor	BH45-650	2	2	-	Package Spec Sheet	PWB-261	1	1
119	Electrode Holder	AH66-393	1	1	710	Thermistor Clip Large	CP-90172	1	1	-	Manual 3/4" gas control valve	BU195-1865	1	1
120	Upper Packing of Combustion Chamber	U245-262	1	1	711	Thermal Fuse Clip	U217-676	5	5	-	Remote Controller (include)	MC-91-1US	1	1
122	Fan Casing Assembly	CH51-615	1	1	714	Heater Connecting Harness	U245-621	1	1	-	Deluxe Controller (optional)	MC-100V-1US	1	1
					715	120V Valve Heater Assembly	U245-622	1	1	-	Deluxe Bathroom Controller (optional)	BC-100V-1US	1	1
					716	Anti-Frost Heater Clip	CF29-752	2	2					