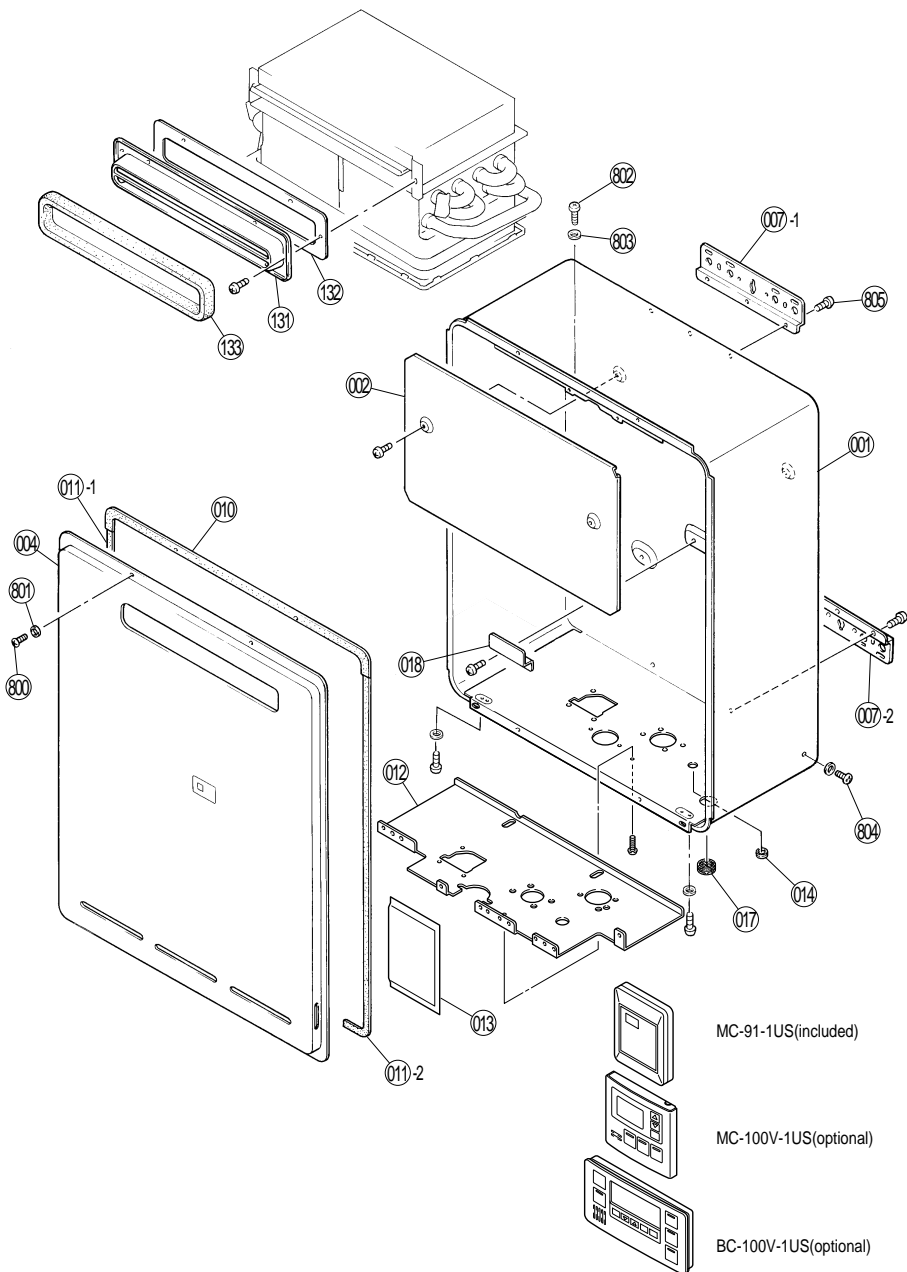
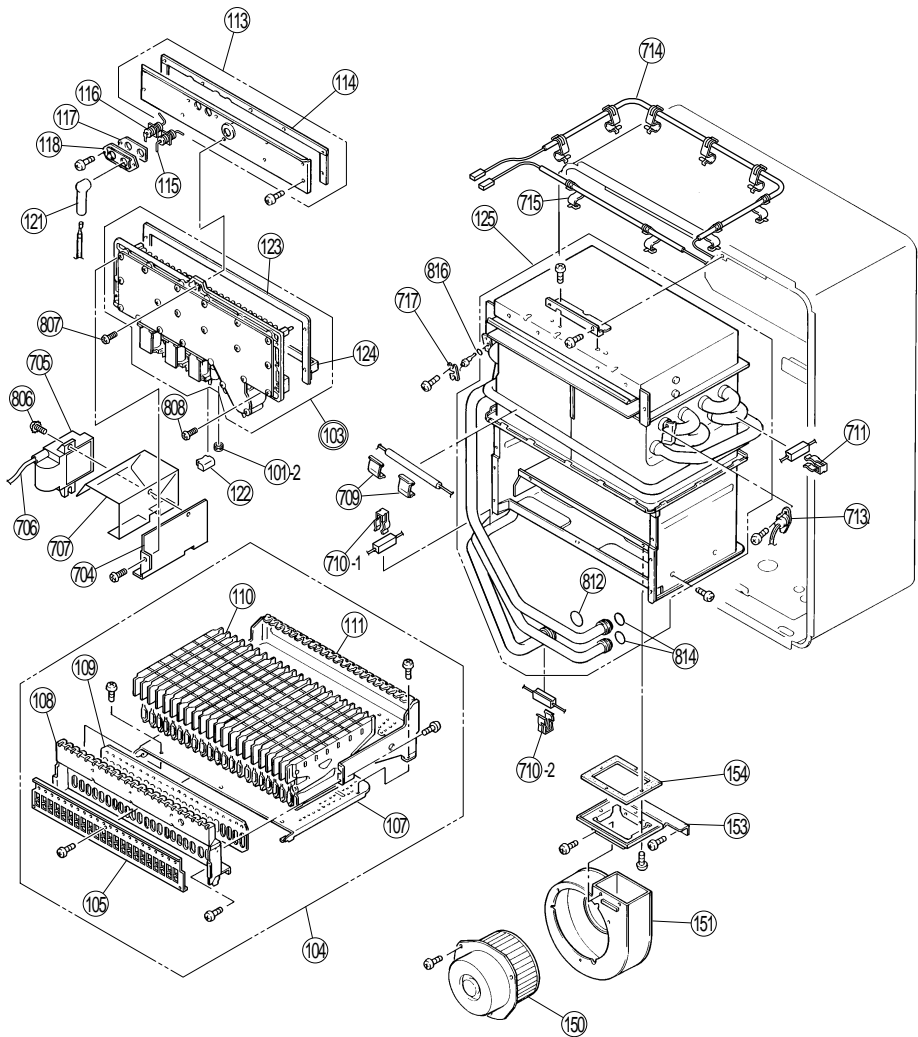


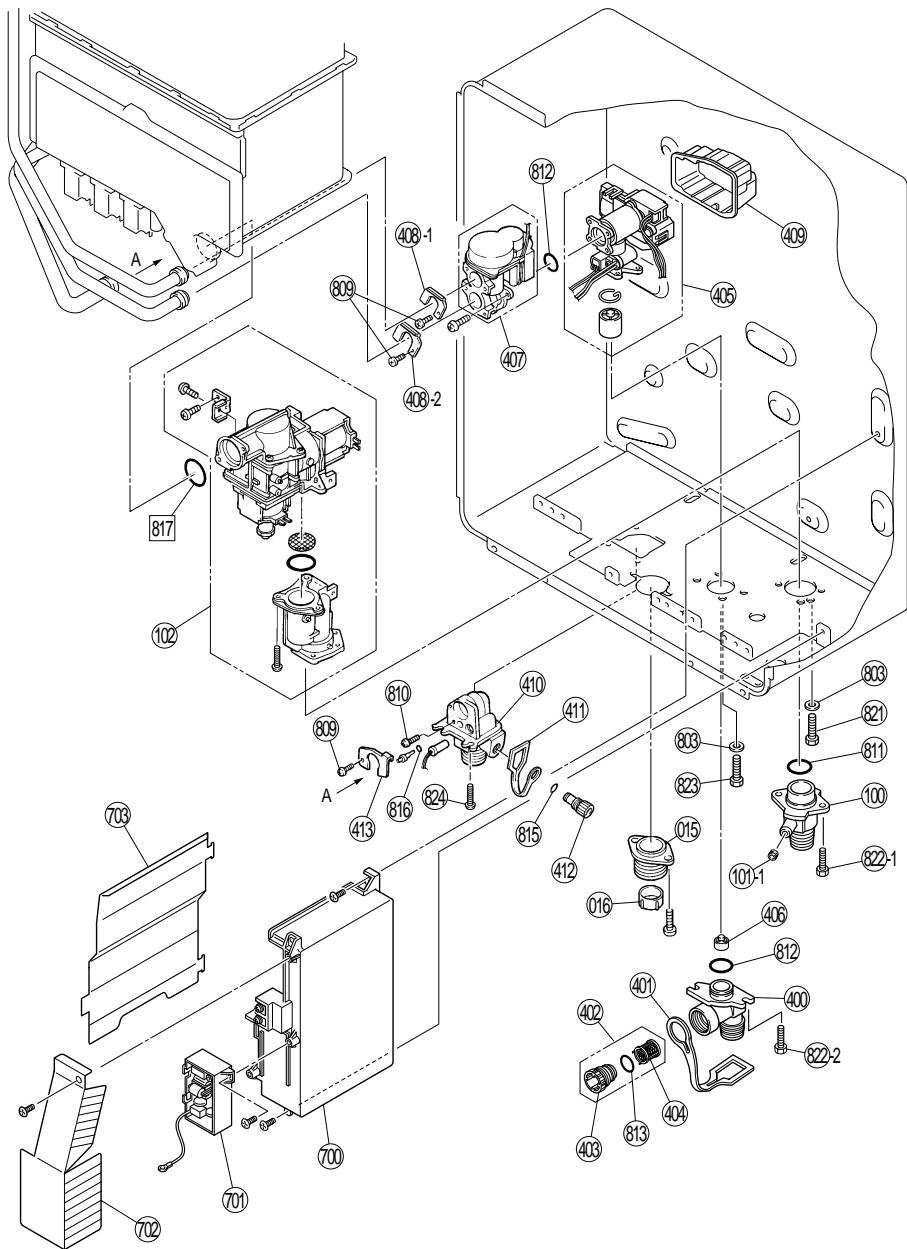
EXPLODED VIEW - CABINET



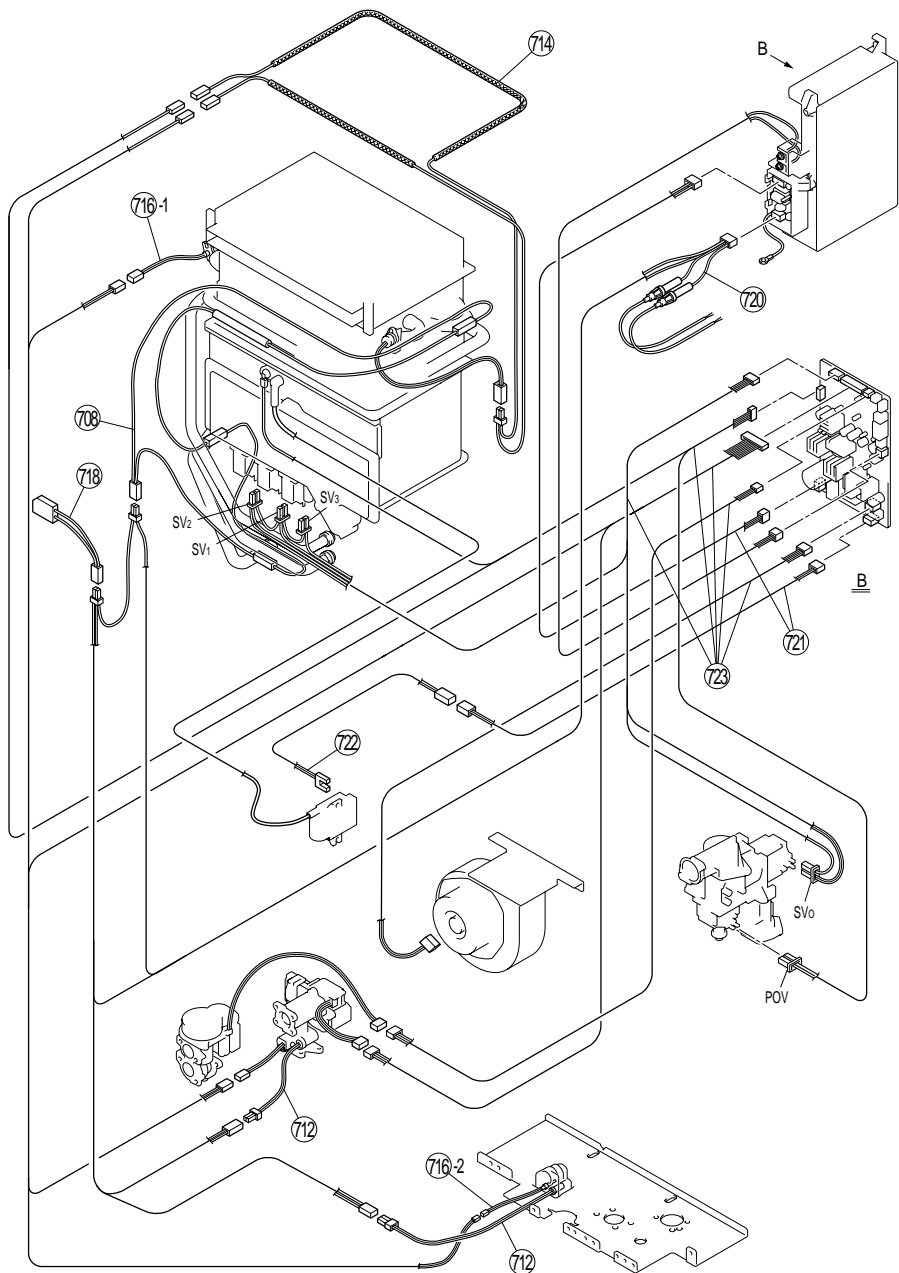
EXPLODED VIEW - INTERNALS



EXPLODED VIEW - INTERNALS



EXPLODED VIEW - ELECTRICAL



PARTS LIST

Number	Description	Part Number	Quantity		Number	Description	Part Number	Quantity		Number	Description	Part Number	Quantity	
			V3237W	V3237WC				V3237W	V3237WC				V3237W	V3237WC
001	Casing Assembly(Residential model)	U273-105	1	-	125	Heat Exchanger Complete Assembly	U273-275-C	1	1	715	Thermal Fuse Clip	CP-80531	9	9
001	Casing Assembly(Commercial model)	U273-105-2	-	1	131	Flue Outlet	U211-351	1	1	716	Thermistor	H111-650	2	2
002	Heat Protection Plate	H73-065	1	1	132	Flue Outlet Packing	U211-352	1	1	717	Thermistor Clip	CP-90172	1	1
004	Front Panel Assembly(Residential model)	U211-110-5	1	-	133	Flue Outlet Packing-4	AH24-653-4	1	1	718	Frost Sensing Switch	H73-750	1	1
004	Front Panel Assembly(Commercial model)	U211-110-14	-	1	150	Blower Motor	U250-565	1	1	720	Fuse Harness	U273-370	1	1
007	Wall Installation Bracket	BU195-121	2	2	151	Fan Casing Assembly	CH51-615	1	1	721	Power Supply Harness	U273-371	1	1
010	Front Panel Packing-Top	BU195-167	1	1	153	Fan Connecting Bracket	U273-335	1	1	722	Ignitor Harness	U273-372	1	1
011	Front Panel Packing-Side	AU103-106	2	2	154	Fan Connecting Packing	U211-552	1	1	723	Sensor Harness	U273-375	1	1
012	Connection Reinforcement Panel	U273-115	1	1	400	Water Inlet (3/4"NPT)	H73-501-2	1	1	800	Screw	CP-30580	4	4
013	Bag for Installation Manual	CP-80736	1	1	401	Plug Band	U250-631	1	1	801	Washer	AU33-184	4	4
014	Seal Packing	AU105-113	1	1	402	Water Filter Assembly	H98-510-S	1	1	802	Screw	ZBD0508UD	2	2
015	Cable Access	BU56-602-N	1	1	403	Filter Plug	H98-510	1	1	803	Washer	AU48-174	5	5
016	Cable Access Packing	AU169-126	1	1	404	Water Filter All Assembly	H98-511	1	1	804	Screw	ZFDB0408UD	8	8
017	Rubber Bushing	CF79-41020-A	1	1	405	Water Flow Servo & Sensor Assembly	M8E-15-2	1	1	805	Screw	CP-30583	5	5
018	Reinforcement Plate	U273-113	1	1	406	Rectifier	M8D1-15	1	1	806	Screw	CP-80452	1	1
100	Gas Connection(3/4"NPT)	CU195-1866	1	1	407	Bypass-Servo Assembly	M6J-1-4	1	1	807	Screw	ZFDB0412SZ	5	5
101	Screw	AU39-965	2	2	408	Stop Bracket	AH69-310	2	2	808	Screw	CP-30627-412	2	2
102	Gas Control Assembly	C36Q-7-AS	1	1	409	Water Flow Servo Cover	H112-508	1	1	809	Screw	CP-20883-408UK	3	3
103	Manifold Assembly-A(LPG)	U273-200-A	1	1	410	Hot Water Outlet (3/4"NPT)	U273-320	1	1	810	Screw	U217-449	1	1
103	Manifold Assembly-B(Nat.G)	U273-200-B	1	1	411	Plug Band	AU103-413	1	1	811	O-ring	M10B-1-24	1	1
104	Burner Unit Assembly	U273-240	1	1	412	Drain Valve	AU142-444	1	1	812	O-ring	M10B-2-18	3	3
105	Damper	U273-235	1	1	413	Stop Bracket	U211-322	1	1	813	O-ring	M10B-2-16	1	1
107	Burner Case Bottom Plate	U211-260	1	1	700	PCB	U273-350-A	1	1	814	O-ring	M10B-2-14	2	2
108	Burner Case Front	U211-259	1	1	701	Surge Protector	BU195-1873-2	1	1	815	O-ring	M10B-2-7	1	1
109	Packing	U211-263	1	1	702	PCB Cover-Front	U273-355-US	1	1	816	O-ring	M10B-2-4	2	2
110	Lean and Rich Bunsen Burner Assembly	B3A7-1	22	22	703	PCB Cover-Side	U273-354	1	1	817	Packing	C36F8-1	1	1
111	Burner Case Back Panel	U211-261	1	1	704	Ignitor Bracket	U273-225	1	1	821	Screw	ZQAA0512UK	1	1
113	Combustion Chamber Front Plate	U211-266-2	1	1	705	Ignitor	EI-144	1	1	822	Screw	ZQAA0514UK	4	4
114	Combustion Chamber Front Plate Packing	U211-267	1	1	706	High Tension Code	BH38-710-240	1	1	823	Screw	ZQAA0508UK	2	2
115	Electrode	H73-120	1	1	707	Ignitor Cover	U273-226	1	1	824	Screw	ZBA0512UK	3	3
116	Flame Rod	U250-295	1	1	708	120V Anti Frost Heater Assembly	U273-380	1	1	888	Operation/Instruction Manual	U273-430	1	1
117	Electrode Packing	AH66-398	1	1	709	Anti Frost Heater Clip	CF29-742	2	2	889	Installation Manual	U273-435	1	1
118	Electrode Holder	AH66-393	1	1	710	Anti Frost Heater Clip	AU100-721	2	2	-	Package Spec Sheet	PWB371	1	1
121	Electrode Sleeve	AU206-218	1	1	711	Anti Frost Heater Clip	AU124-618	1	1	-	Manual 3/4" gas control valve	BU195-1865	1	1
122	Solenoid Valve Cover	U211-1027	1	1	712	120V Valve Heater Assembly	U273-381	2	2	-	Remote Controller (included)	MC-91-1US-S	1	-
123	Upper Combustion Chamber Packing	U211-264	1	1	713	Mold Type Over Heat Switch	BU129-821-2	1	1	-	Remote Controller (included)	MC-91-1US-W	-	1
124	Lower Combustion Chamber Packing	U211-268	1	1	714	Thermal Fuse Harness	U273-376	1	1	-	Deluxe Controller (optional)	MC-100V-1US	1	1
										-	Deluxe Bathroom Controller (optional)	BC-100V-1US	1	1