

While most components of the new LS series R75 and R94 models are interchangeable with the previous R75 and R85 models, there are some parts that are unique and thus not interchangeable. Please refer to the list of new LS series parts, along with the exploded view drawing which identifies the location of these new parts on the product.

A Rinnai America part number (RAP number) has been assigned to the new parts. This new part numbering system consists of a nine digit, all numerical, part number. All new parts and all kitted parts will begin using this new numbering system.

Another significant change is the release of a number of kitted components (gas valve, heat exchanger, etc.). These kits will include the major component, along with any gasket, O-ring, installation instructions, etc, that may be needed in the completion of a repair.

View	Description	Item Number	Suggested To Inventory	R94LSIN	R94LSIP	R75LSIN	R75LSIP	R94LSeN	R94LSeP	R75LSeN	R75LSeP
001	Main Body (FFU)	109000010		1	1	1	1				
001	Main Body (W)	109000011						1	1	1	1
002	Wall Mounting Bracket (FFU)	109000024		1	1	1	1				
004	Connection Reinforcement Panel	109000023		1	1	1	1	1	1	1	1
006	Front Panel	109000012		1	1	1	1				
006	Front Panel	109000013						1	1	1	1
009	Remote Controller Ass'y	MC-91-1US-S-FLVA		1	1	1	1				
010	Remote Controller Bracket	103000011		1	1	1	1				
015	Rain Hood	109000026						1	1	1	1
017	Screw Cover Assy	109000022		2	2	2	2	2	2	2	2
100	Gas Control Kit	104000021	*	1	1	1	1	1	1	1	1
103	Burner Unit Assy (LPG)	106000011			1		1		1		1
103	Burner Unit Assy (NG)	106000012		1		1		1		1	
110	Manifold Assembly (LPG)	106000013			1		1		1		1
110	Manifold Assembly (FF-NG)	106000014		1		1					
110	Manifold Assembly (W-NG)	106000015						1		1	
114	Combustion Chamber Sightglass Plate	106000016		1	1	1	1	1	1	1	1
116	Electrode Kit	104000023	*	1	1	1	1	1	1	1	1
117	Flame Rod Kit	104000022	*	1	1	1	1	1	1	1	1
119A	Sparker Bracket	106000018		1	1	1	1	1	1	1	1
125	Fan Assembly Kit	104000024	*	1	1	1	1				
125	Fan Assembly Kit	104000026	*					1	1	1	1

New Parts on R75LS and R94LS

View	Description	Item Number	Suggested To Inventory	R94LSIN	R94LSIP	R75LSIN	R75LSIP	R94LSeN	R94LSeP	R75LSeN	R75LSeP
135	Air Inlet Box Assembly	108000013		1	1	1	1				
135	Flue Outlet	108000012						1	1	1	1
138	Seal Packing	109000017						1	1	1	1
139	Air Inlet Duct	108000014		1	1	1	1				
143	Heat Exchanger Assembly Kit	104000030	*	1	1						
143	Heat Exchanger Assembly Kit	104000032	*			1	1				
143	Heat Exchanger Assembly Kit	104000031	*					1	1		
143	Heat Exchanger Assembly Kit	104000033	*							1	1
144	Flue Connection Assembly	108000015		1	1	1	1				
144	Flue Connection Assy - Male (optional)	108000016		1	1	1	1				
145	O-ring	108000017		1	1	1	1				
146	O-ring	108000018		1	1	1	1				
147	Pipe Seal	108000019		1	1	1	1				
148	Cap	108000020		1	1	1	1				
401	Water Flow Servo & Sensor Kit	104000028	*	1	1			1	1		
401	Water Flow Servo & Sensor Kit	104000029	*			1	1			1	1
405	Plug Band	109000018		1	1	1	1	1	1	1	1
410	Plug Band (small)	109000019		1	1	1	1	1	1	1	1
413	Cover	109000020		1	1	1	1	1	1	1	1
700	PCB Kit	104000026	*	1	1			1	1		
700	PCB Kit	104000027	*			1	1			1	1
702	PCB cover - side	105000015		1	1	1	1				
702	PCB cover - side	105000016						1	1	1	1
703	PCB cover - front	105000017		1	1	1	1	1	1	1	1
707	High Tension Cord	105000019		1	1	1	1	1	1	1	1
709	Thermistor - Heat Exchanger	105000020		1	1	1	1	1	1	1	1
713	Anti Frost Heater (120V)	105000022		1	1	1	1				
713	Anti Frost Heater (120V)	105000023						1	1	1	1
715	Valve Heater (120V) Assembly	105000024		1	1	1	1	1	1	1	1

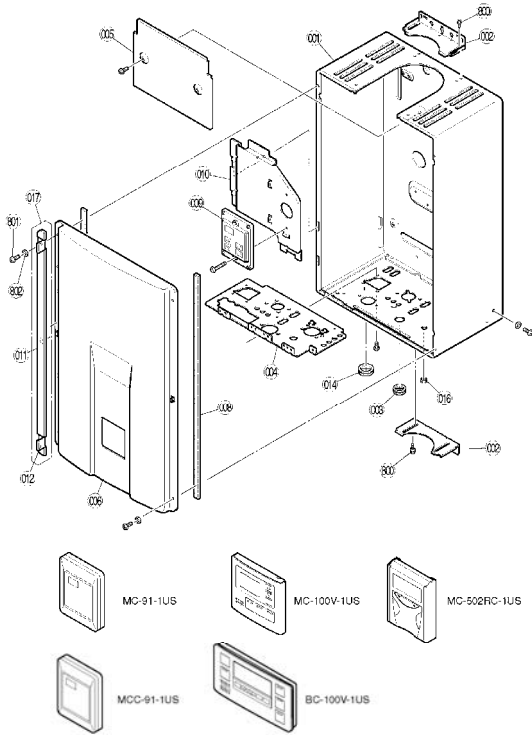
New Parts on R75LS and R94LS

View	Description	Item Number	Suggested To Inventory								
				R94LSIN	R94LSIP	R75LSIN	R75LSIP	R94LSeN	R94LSeP	R75LSeN	R75LSeP
719	Inlet Air Thermistor	105000029		1	1	1	1				
721	Fuse Harness (FF)	105000031		1	1	1	1				
721	Fuse Harness (W)	105000032						1	1	1	1
722	Power Harness	105000033		1	1	1	1	1	1	1	1
723	Solenoid Valve Harness	105000034		1	1	1	1	1	1	1	1
724	Sensor Harness	105000035		1	1						
724	Sensor Harness	105000036				1	1				
724	Sensor Harness	105000037						1	1		
724	Sensor Harness	105000038								1	1
725	Thermal Fuse Harness Assy	105000039		1	1	1	1	1	1	1	1
726	Ignitor Harness	105000040		1	1	1	1	1	1	1	1
727	Flow Sensor	105000041	*	1	1	1	1	1	1	1	1
729	Remote Controller Harness	105000042		1	1	1	1	1	1	1	1
803	O-ring	108000021		3	3	3	3	3	3	3	3
806	Screw	109000025						2	2	2	2
888	Manual	100000011		1	1	1	1				
888	Manual	100000010						1	1	1	1
889	Tech Sheet	100000013		1	1	1	1				
889	Tech Sheet	100000012						1	1	1	1
900	Front Panel Label (94)	100000014		1	1			1	1		
900	Front Panel Label (75)	100000015				1	1			1	1

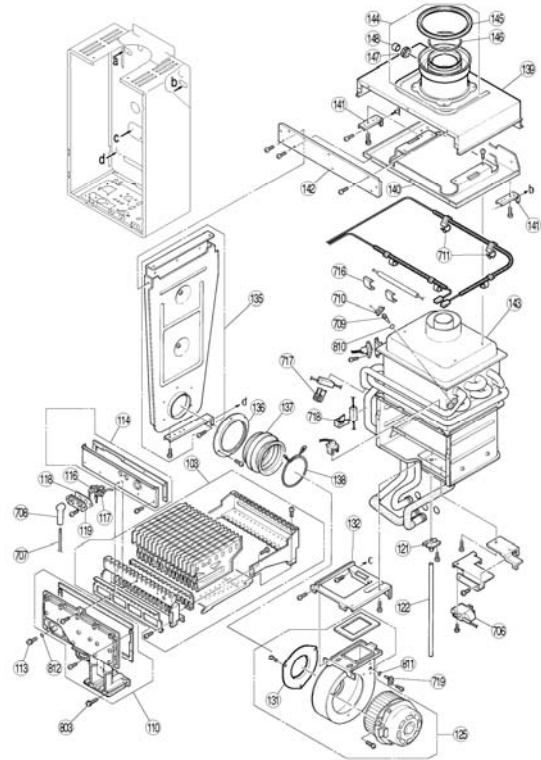
New Parts on R75LS and R94LS

R75LSi and R94LSi

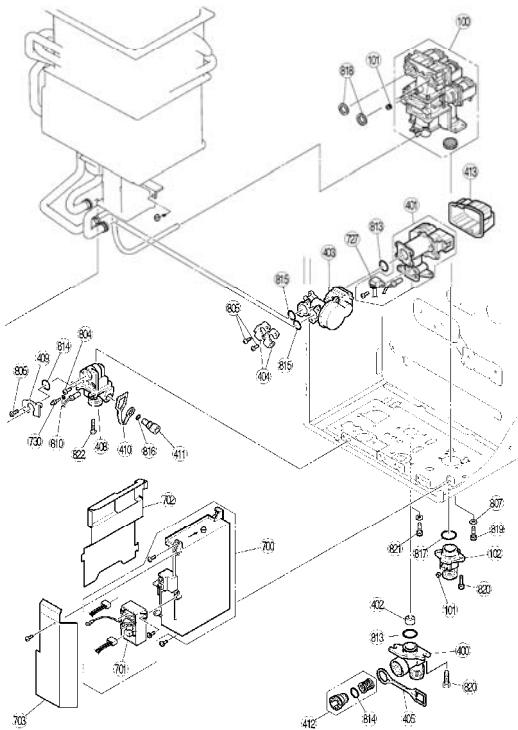
EXPLODED VIEW - CABINET



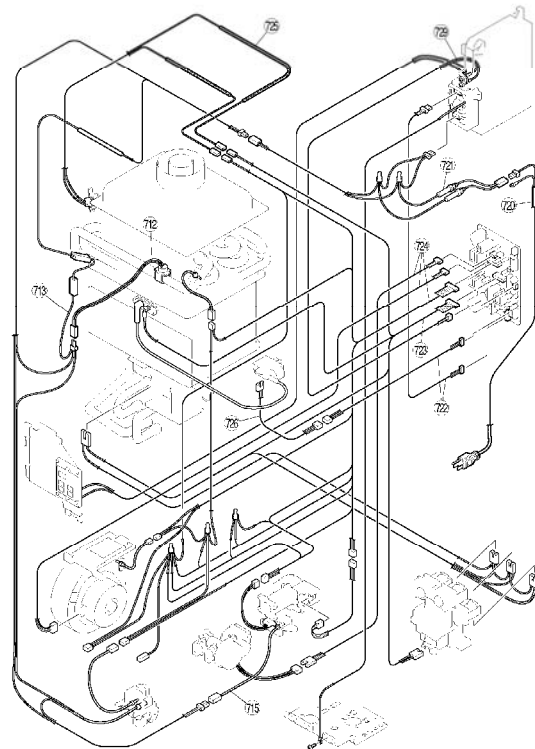
EXPLODED VIEW - INTERNALS



EXPLODED VIEW - INTERNALS



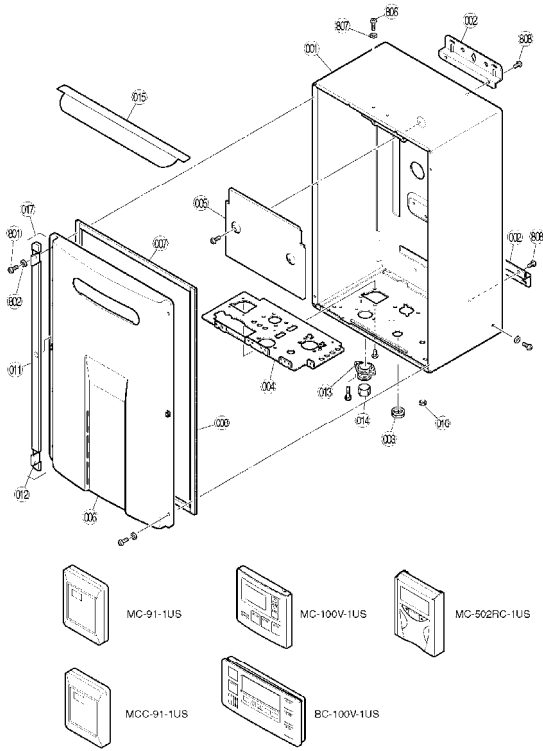
EXPLODED VIEW - ELECTRICAL



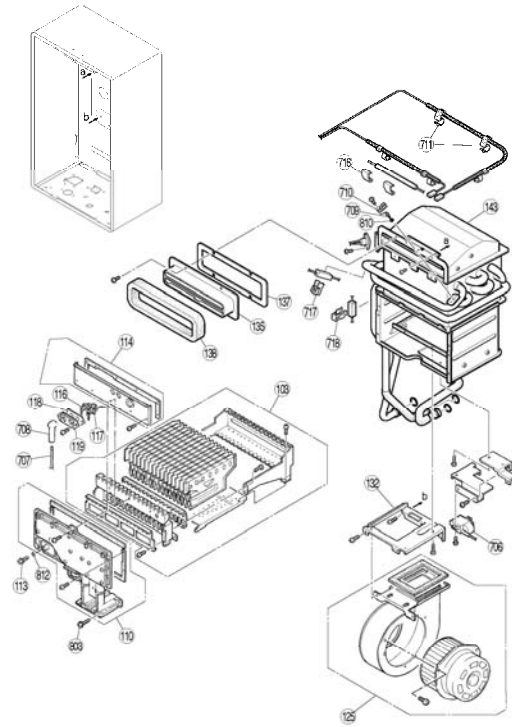
New Parts on R75LS and R94LS

R75LSe and R94LSe

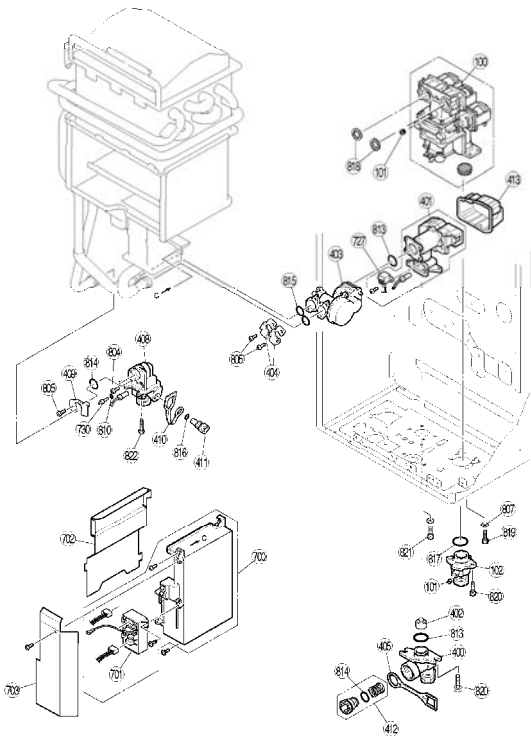
EXPLODED VIEW - CABINET



EXPLODED VIEW - INTERNALS



EXPLODED VIEW - INTERNALS



EXPLODED VIEW - ELECTRICAL

