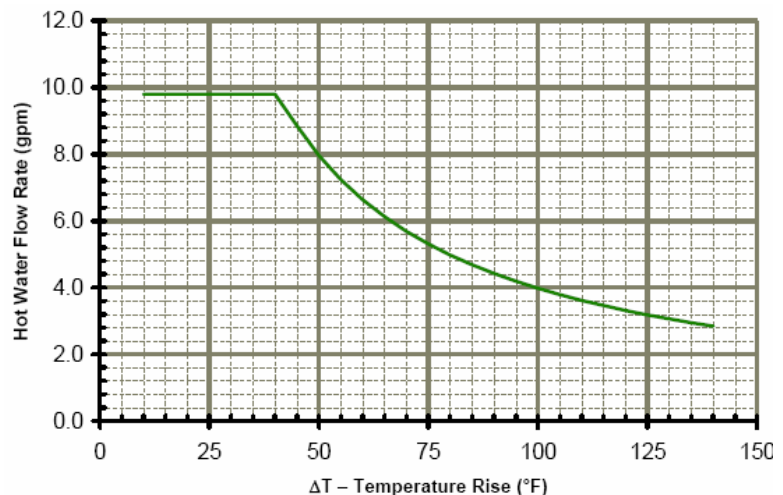




<b>Type of Appliance</b>	This model has been built in accordance with the requirements of the ASME Boiler and Pressure Vessel Code and has received the Certificate of Authorization from the National Board. The heat exchanger has the NB and the HLW stamps.	
<b>Rinnai model number</b>	REU-V3237FFU-ASME	
<b>Operation</b>	With or without remote controls mounted in kitchen, bathroom, etc.	
<b>Exhaust system</b>	Direct vent, forced combustion	
<b>Minimum/Maximum Gas Rate (Input)</b>	19,000 - 237,000 BTU/h (Natural Gas or Propane)	
<b>Electrical</b>	Appliance:	AC 120 Volts - 60 Hz
	Remote Control:	DC 12 Volts
<b>Electrical Consumption</b>	Normal	99 watts
	Standby	2 watts
	Anti-frost protection	116 watts
<b>Ignition System</b>	Direct electronic ignition	
<b>Hot Water Capacity</b>	0.6 to 8.0 GPM (50° F rise)	0.9 to 9.8 GPM (35° F rise)
<b>Temperature</b>	98° - 140° F	
<b>Temperature (without remote)</b>	120° F (factory default)	
<b>Approved Gas Types</b>	Natural or Propane (ensure unit matches gas type)	
<b>Installation</b>	Indoor only	
<b>Thermal Efficiency</b>	Natural Gas: 84%	Propane: 85%
<b>Service Connections</b>	Gas supply: 3/4 inch MNPT Cold water inlet: 3/4 inch MNPT Hot water outlet: 3/4 inch MNPT	
<b>Water Flow Control</b>	Water flow sensor, electronic water control and by-pass control	
<b>Minimum/Maximum Water Supply Pressure</b>	15 - 150 PSI (50 PSI or above is recommended for maximum flow)	

### FLOW TABLE

Water Flow Capacity Curve



### Water Temperature Control

### Remote Controls

### Remote Control Cable

### Safety Devices

### Clearances from combustibles (suitable for closet, attic, and crawl space installations)

### Clearances from non-combustibles

### Min. / Max. Gas Supply Pressure

### Manifold Gas Pressure (inches W.C.)

### NOx

### Warranty

Simulation feed forward and feedback

MC-91-1US (included)

Deluxe controller: MC-100V-1US (optional)

Bathroom controller: BC-100V-1US (optional)

Wireless controller (with transceiver): MC-502RC-1US-MS (optional)

Non-polarized two-core cable, minimum 24 gauge

- Flame failure - Flame Rod
- Boiling protection
- Combustion fan rpm check
- Over current - glass fuse (3 amp)
- Remaining flame (OHS)
- Thermal fuse
- Automatic frost protection

- Top of heater - 12 inches
- Front of heater - 24 inches
- Sides of heater - 2 inches
- Back of heater - 0 inches
- Bottom of heater - 12 inches
- From vent pipe - 0 inches

- Top of heater - 2 inches
- Front of heater - 24 inches
- Sides of heater - 1/2 inches
- Back of heater - 0 inches
- Bottom of heater - 2 inches
- From vent pipe - 0 inches

Natural Gas: min 6" W.C.

max 10.5" W.C.

Propane Gas: min 10" W.C.

max 13.5" W.C.

Natural Gas: high fire 3.0" W.C.

low fire 0.67" W.C.

Propane Gas: high fire 3.7" W.C.

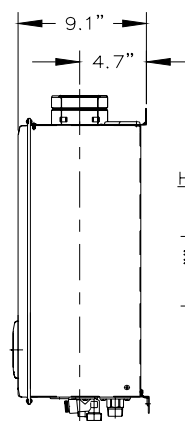
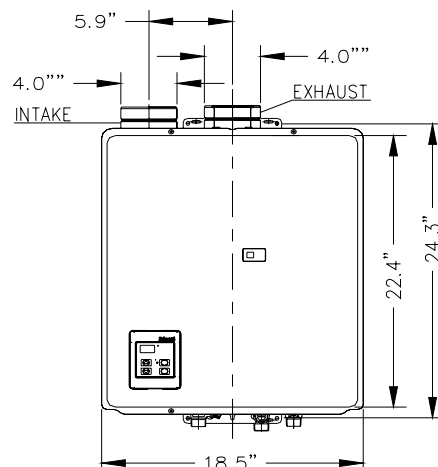
low fire 0.83" W.C.

Meets California and Texas NOx Emission Rules

Residential only; heat exchanger 10 years\*; all other parts 5 years\*; labor 1 year; (\* 3 years if used as a circulating water heater within a circulation loop, where the water heater is in series with a circulation system and all circulating water flows through the water heater, and where on-demand recirculation is not incorporated )

*Rinnai is continually updating and improving products; therefore, specifications are subject to change without prior notice. Local, state, provincial and federal codes must be adhered to prior to installation.*

### DIMENSIONS



**WEIGHT: 55 LBS**

