



Type of Appliance

Rinnai model number

Operation

Exhaust system

Minimum/Maximum Gas Rate (Input)

Electrical

Electrical Consumption

Ignition System

Hot Water Capacity

Temperature

Temperature (without remote)

Approved Gas Types

Installation

Thermal Efficiency

Service Connections

Water Flow Control

Minimum/Maximum Water Supply Pressure

This model has been built in accordance with the requirements of the ASME Boiler and Pressure Vessel Code and has received the Certificate of Authorization from the National Board. The heat exchanger has the NB and the HLW stamps.

Temperature controlled, continuous flow, gas hot water system

REU-V3237W-ASME

With or without remote controls mounted in kitchen, bathroom, etc.

Outdoor forced combustion

19,000 - 237,000 BTU/h (Natural Gas or Propane)

Appliance: AC 120 Volts - 60 Hz
Remote Control: DC 12 Volts

Normal 72 watts
Standby 2 watts
Anti-frost protection 116 watts

Direct electronic ignition

0.6 to 8.0 GPM (50° F rise) 0.9 to 9.8 GPM (35° F rise)

98° - 140° F

120° F (factory default)

Natural or Propane (ensure unit matches gas type)

Outdoor only

Natural Gas: 85% Propane: 83%

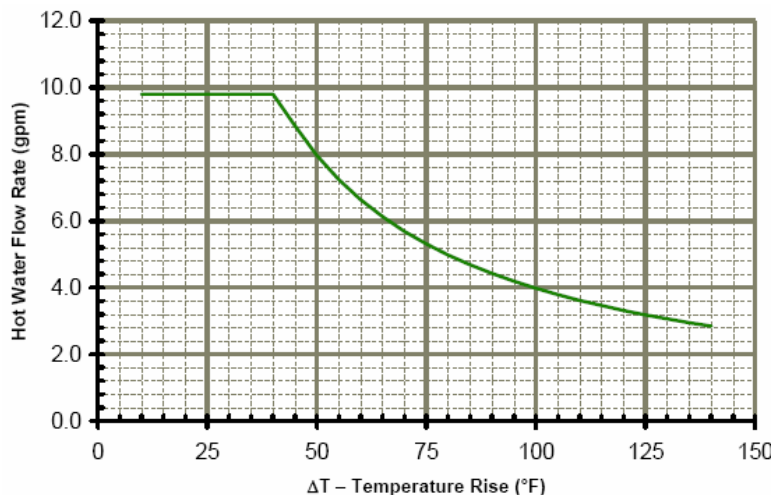
Gas supply: 3/4 inch MNPT
Cold water inlet: 3/4 inch MNPT
Hot water outlet: 3/4 inch MNPT

Water flow sensor, electronic water control and by-pass control

15 - 150 PSI (50 PSI or above is recommended for maximum flow)

FLOW TABLE

Water Flow Capacity Curve



Water Temperature Control

Remote Controls

Remote Control Cable

Safety Devices

Clearances from combustibles (suitable for closet, attic, and crawl space installations)

Clearances from non-combustibles

Min. / Max. Gas Supply Pressure

Manifold Gas Pressure (inches W.C.)

NOx

Warranty

Simulation feed forward and feedback

MC-91-1US (included)

Deluxe controller: MC-100V-1US (optional)

Bathroom controller: BC-100V-1US (optional)

Wireless controller (with transceiver): MC-502RC-1US-MS (optional)

Non-polarized two-core cable, minimum 24 gauge

- Flame failure - Flame Rod
- Boiling protection
- Combustion fan rpm check
- Over current - glass fuse (3 amp)
- Remaining flame (OHS)
- Thermal fuse
- Automatic frost protection

- Top of heater - 12 inches
- Front of heater - 24 inches
- Sides of heater - 6 inches
- Back of heater - 0 inches
- Bottom of heater - 12 inches

- Top of heater - 2 inches
- Front of heater - 24 inches
- Sides of heater - 1/2 inches
- Back of heater - 0 inches
- Bottom of heater - 2 inches

Natural Gas: min 6" W.C. max 10.5" W.C.

Propane Gas: min 10" W.C. max 13.5" W.C.

Natural Gas: high fire 3.0" W.C. low fire 0.67" W.C.

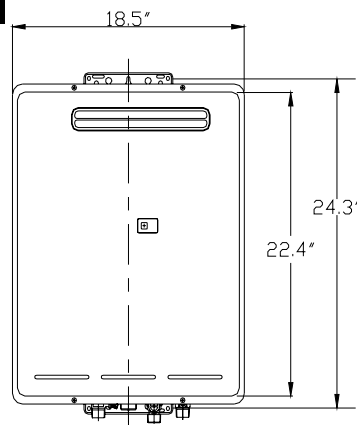
Propane Gas: high fire 3.7" W.C. low fire 0.83" W.C.

Meets California and Texas NOx Emission Rules

Residential only; heat exchanger 10 years*; all other parts 5 years*; labor 1 year; (* 3 years if used as a circulating water heater within a circulation loop, where the water heater is in series with a circulation system and all circulating water flows through the water heater, and where on-demand recirculation is not incorporated)

Rinnai is continually updating and improving products; therefore, specifications are subject to change without prior notice. Local, state, provincial and federal codes must be adhered to prior to installation.

DIMENSIONS



WEIGHT: 55 LBS

