

	LX32	LX36
Specifications:		
Shipping Weight (lbs.)	215	225
Width (inches)	39"	43"
Depth (inches)	19 5/8"	19 5/8"
Height (inches)	46 3/8"	40 3/8"
Fire Viewing Area (sq. inches)	710	802
Flue Size (inches)	4" x 6 5/8"	4" x 6 5/8"
Fan	135 CFM	200 CFM
Performance:		
BTU/HR Input Rate (NG)	27,000-36,000	30,000-44,000
BTU/HR Input Rate (LP)	28,000-38,000	32,000-44,000
Thermal Efficiency (%)	Up to 80	Up to 80
Heating Capacity (sq. feet)	2,200	2,400
FE* Rated (NG)/Electronic(%)	63/65.1	65/66.8
FE* Rated (LP)/Electronic (%)	64.5/66.2	67.4/69.1
Options:		
Decorative Fronts	Yes	Yes
Decorative Fire Screens	Yes	Yes
Mantel & Facing Capability	Yes	Yes
Remote Control	Yes	Yes
Wall Thermostat	Yes	Yes
NG to LP Conversion Kit	Yes	Yes
LP to NG Conversion Kit	Yes	Yes
High Altitude Kit, NG	Yes	Yes
High Altitude Kit, LP	Yes	Yes

Square foot heating capacities are approximations only. They will vary depending upon the level of insulation, climate, house design, ceiling height, ambient outside temperatures and how the appliance is operated.

*Tested to Canadian Standards Association's CSAP.4.1-02 Testing Method for Measuring Fireplace Efficiency

Sold By



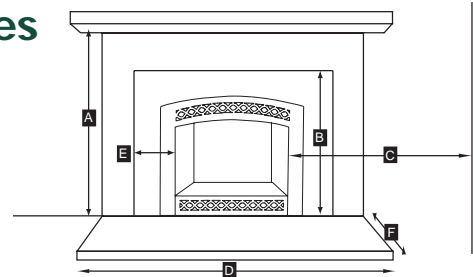
149 Cleveland Drive • Paris, Kentucky 40361
www.lexingtonforge.com

To avoid personal injury or property damage, the product described by this brochure must be installed, operated and maintained in strict compliance with the instructions packaged with the product and all applicable building or fire codes. Contact local building or fire officials about restrictions and installation inspection requirements. All photographs and drawings on this brochure are for illustrative purposes only and are not intended for, nor should they be used as a substitute for the instructions packaged with the unit. Appearance and specifications of the product are subject to change without notice.



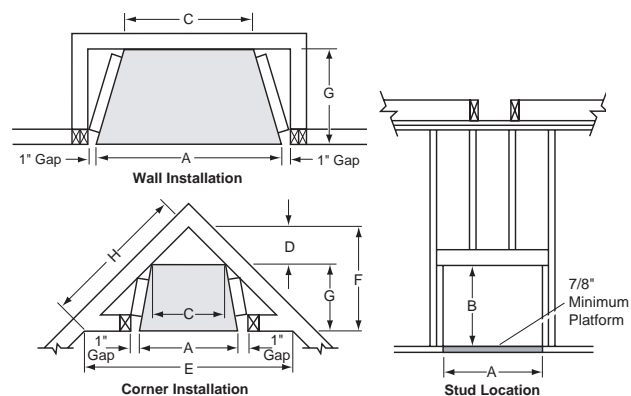
LF-LXSERIES

Clearances

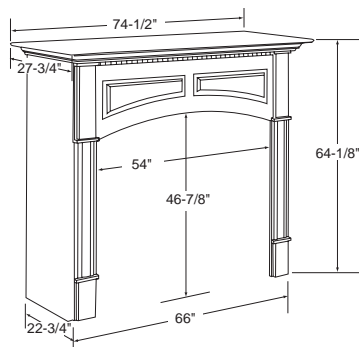


	LX32	LX36	
A	Floor to Bottom of Mantel Shelf	46-3/4"	46-3/4"
B	Floor to Top of Non Combustible	44-3/4"	44-3/4"
C	Side of Glass Opening to Sidewall	9"	9"
D	Hearth Width	40"	43"
E	Side of Glass Opening to Edge of Non Combustible	6"	6"
F	Hearth Extension Depth	12"	12"

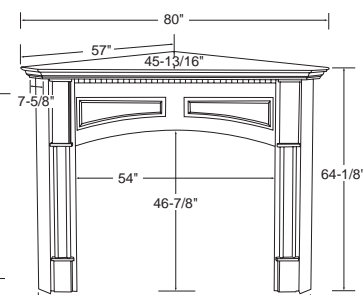
Framing Dimensions



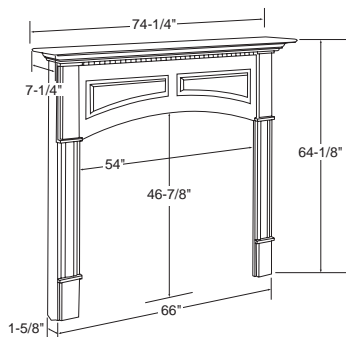
	LX32	LX36	LX32	LX36	
A	39 11/16"	43 11/16"	E	62 1/2"	66 1/2"
B	46 3/4"	46 3/4"	F	31 3/16"	33 1/2"
C	20 5/16"	24 5/16"	G	21 3/4"	21 3/4"
D	10"	10"	H	44 1/4"	47"



Cabinet Dimensions



Corner Cabinet Dimensions



Flush Mantel Dimensions

Rev. 09/05