

Thermoflo

CLB

Series 2

Ratings - 2 sizes

91,000 to 175,000 Btuh Input

0.65 to 1.25 GPH #2 Fuel Oil



Centennial Low Boy Oil Furnace

- ▣ AFUE's to 85.9%
- ▣ Heat exchanger
 - Heaviest in the industry
 - Front or rear flue - front flue can be vented from top or right side
 - Interior baffling for maximum efficiency
 - Dual spring-loaded clean-out ports for easy service and maintenance
 - Spring-loaded observation port with test port
 - Heavy gauge burner mounting plate secured with studs and nuts
- ▣ Blower
 - Belt drive or multi-speed direct drive
 - Slide-out blower/motor – easily removed for service
- ▣ Cabinet
 - Appliance finish powder coat paint
 - Heavy gauge "Seal-Tite" construction
 - Foil-faced insulation for hand-cool surface
 - Fully-enclosed burner and controls
- ▣ Combustion Chamber
 - Preformed slide-out chamber for easy service
- ▣ Burner and controls
 - Factory-wired with simple plug-in connections
 - PSC motor
 - Solid state ignitor



Thermoflo

RATINGS

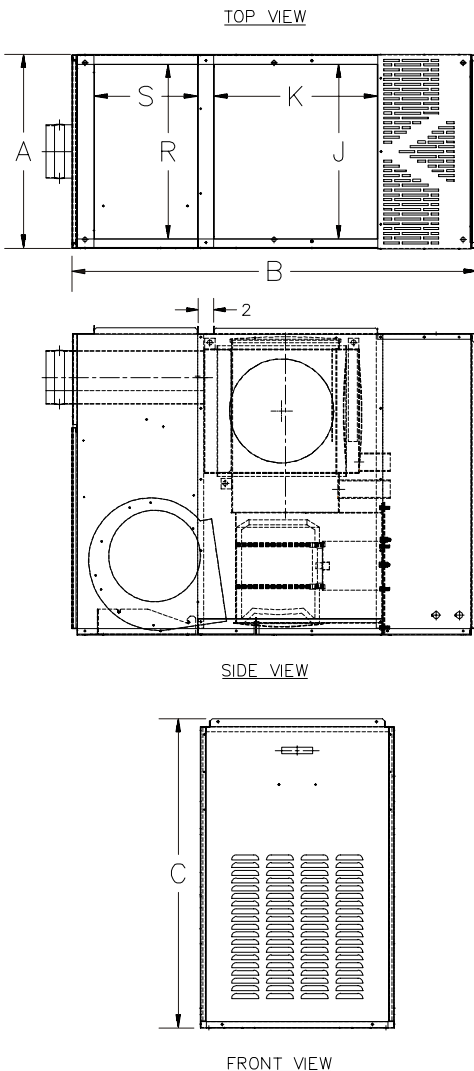
Model	Input	Output	Firing rate	Installed nozzle	AFUE with electric damper	AFUE without electric damper	Blower size	Blower motor hp	Blower pulley	Motor pulley	Belt size	Maximum cooling capacity	Ship wt.	Blower CFM	
	(Btuh)	(Btuh)	(GPH)										(tons)	(pounds)	@ 0.25° WC
Direct-drive units															
CLB-105	91,000	79,400	0.65		85.9	83.3	GT10-10	½	-	-	-	3½	250	1150	1125
	105,000	90,200	0.75	✓	85.4	82.8	GT10-10	½	-	-	-	3½	250	1300	1225
	119,000	101,200	0.85		85.0	82.4	GT10-10	½	-	-	-	3½	250	1475	1325
CLB-140	140,000	119,900	1.00	✓	85.0	82.4	GT12-10	¾	-	-	-	5	345	1600	1575
	175,000	146,900	1.25		84.2	81.6	GT12-10	¾	-	-	-	5	345	1925	1800
Belt-drive units															
CLB-105	91,000	79,400	0.65		85.9	83.3	GT10-10	½	4-15/16	3-1/8 variable	34.3	3	250	1325	1000
	105,000	90,200	0.75	✓	85.4	82.8	GT10-10	½	4-15/16	3-1/8 variable	34.3	3	250	1450	1200
	119,000	101,200	0.85		85.0	82.4	GT10-10	½	4-15/16	3-1/8 variable	34.3	3	250	1450	1200
CLB-140	140,000	119,900	1.00	✓	85.0	82.4	GT12-10	½	7 x ¾	3¼ x ½	44	3	345	1600	1400
	175,000	146,900	1.25		84.2	81.6	GT12-10	½	7 x ¾	3¼ x ½	44	nr	345	1600	nr

NOTE: Filter sizes required: CLB-105 - (1) 12" x 20" and (1) 10" x 20" • CLB-140DD - (1) 12" x 24" and (1) 16" x 24" • CLB-140BD - (2) 12" x 24" • nr = not recommended

DIMENSIONS

ALL DIMENSIONS IN INCHES

Rear flue shown



Model	Furnace casing			Warm air supply		Return air		Flue pipe diam.
	Width A	Depth B	Height C	Width J	Depth K	Width R	Depth S	
CLB-105	21-1/2	47-1/4	38-1/2	18-1/2	17-1/2	18-1/2	15-1/2	6
CLB-140	25-1/4	52-1/2	40-3/4	22-3/4	21-1/4	22-3/4	13-1/2	7

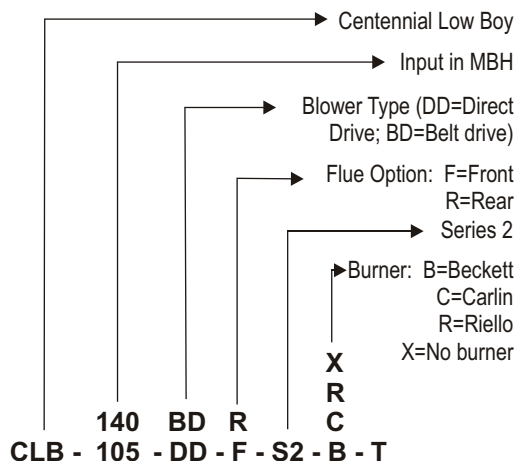
Note: CLB furnaces are approved for "0" clearance to combustible construction. Refer to installation manual for details and proper installation.

EQUIPMENT

- Factory-assembled
- Hot-rolled steel heat exchanger, pressure tested to assure leak-tight construction
- 10-gauge primary heat exchanger
- 14-gauge secondary heat exchanger
- Rugged 20-gauge cabinet with powder coat finish
- Air conditioning fan center standard on all direct-drive models
- Electrical box with external low-voltage terminal strip
- Limit control with continuous fan on selector switch
- Leveling legs
- Barometric damper provided
- High-efficiency flame retention burner (Beckett, Carlin, Riello)
- Optional two-stage fuel unit

ORDER CODE

WARRANTY



- Limited lifetime warranty on heat exchanger
- 5-year limited warranty on parts
- Optional 5- or 10-year parts and labor warranty



Thermoflo

8201 West Calumet Road • Milwaukee, WI 53223

www.williamson-thermoflo.com

Form No. T-602R1(0903)

