

GV100 SERIES

RES

Smith
CAST IRON BOILERS



GV100 series
POWER VENT

GAS FIRED RESIDENTIAL
BOILER

**THE HEATING
Pros**

S



GV100 POWER VENT



Designed With You In Mind

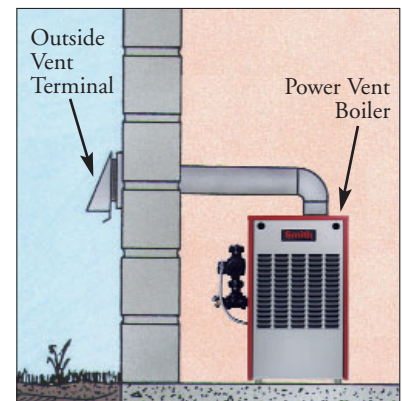
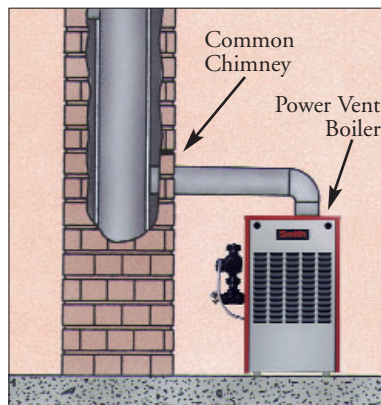
The GV100 gas-fired residential boiler combines application flexibility with high efficiency.

Whether vented through a conventional chimney or through the wall, the GV100 offers efficient, dependable service. Available in 5 sizes ranging from 42 to 125 MBH, the appropriate GV100 size can be selected for maximum efficiency.



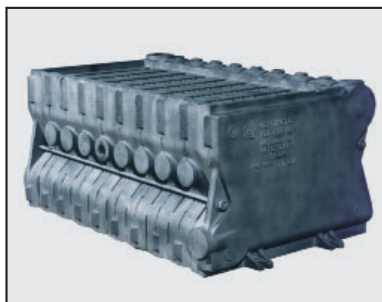
Power Vent

The GV100 gas-fired boiler offers economical operation with a highly efficient power vented draft system. Unlike conventional boilers which must heat up the chimney to create a natural draft, the GV 100 utilizes an induced



draft blower to vent flue gases safely up the chimney. Because of the integral blower design, venting is also permitted directly through an outside wall, making it ideal for installations in which no chimney is available, such as converting electrically heated homes, apartments and condominiums. The GV100 can also be commonly vented with a conventional gas water heater into a traditional masonry or Type B chimney.

More Cast Iron Means Better Performance



The cast iron sections of the Smith GV100 Series boiler have thicker walls and up to 30% more cast iron than competitive boilers. Extra-deep 2 3/4" sections increase the boiler's water content and total water surface. Benefits of these superior design features include better heat transfer and heat retention, and an Annual Fuel Utilization Efficiency exceeding 83%. The deeper section design also helps reduce mineral buildup and corrosion.

Service Made Simple

All components are completely enclosed within the GV100 cabinet. Yet, when it's time to service the boiler, nothing could be easier. Simply lift the front panel up and off for ready access to all wiring and controls. The layout allows easy visualization and adjustment.



LIFETIME WARRANTY

Built and Backed for a Lifetime

Without question, cast iron boiler construction delivers superior durability and longer life. Every GV100 cast iron section is pressure tested, then retested upon assembly. The finished boiler is also factory test-fired to eliminate the expense and inconvenience of callbacks. We back our commitment to your complete satisfaction with a lifetime warranty on all GV100 boilers.*

STANDARD EQUIPMENT

Completely packaged and wired gas hot water boiler.

- Cast iron sections
- Deluxe insulated metal jacket with removable front panel
- Burner base with high temperature insulation board and burner tubes
- A.S.M.E. pressure relief valve
- Taco "007" circulator
- Discrete pressure switch
- Inducer
- Discrete inducer relay
- Theraltimeter
- Brass hose end drain valve
- Flame rollout safety switch
- Discrete high limit and control center
- State of the art hot surface ignition

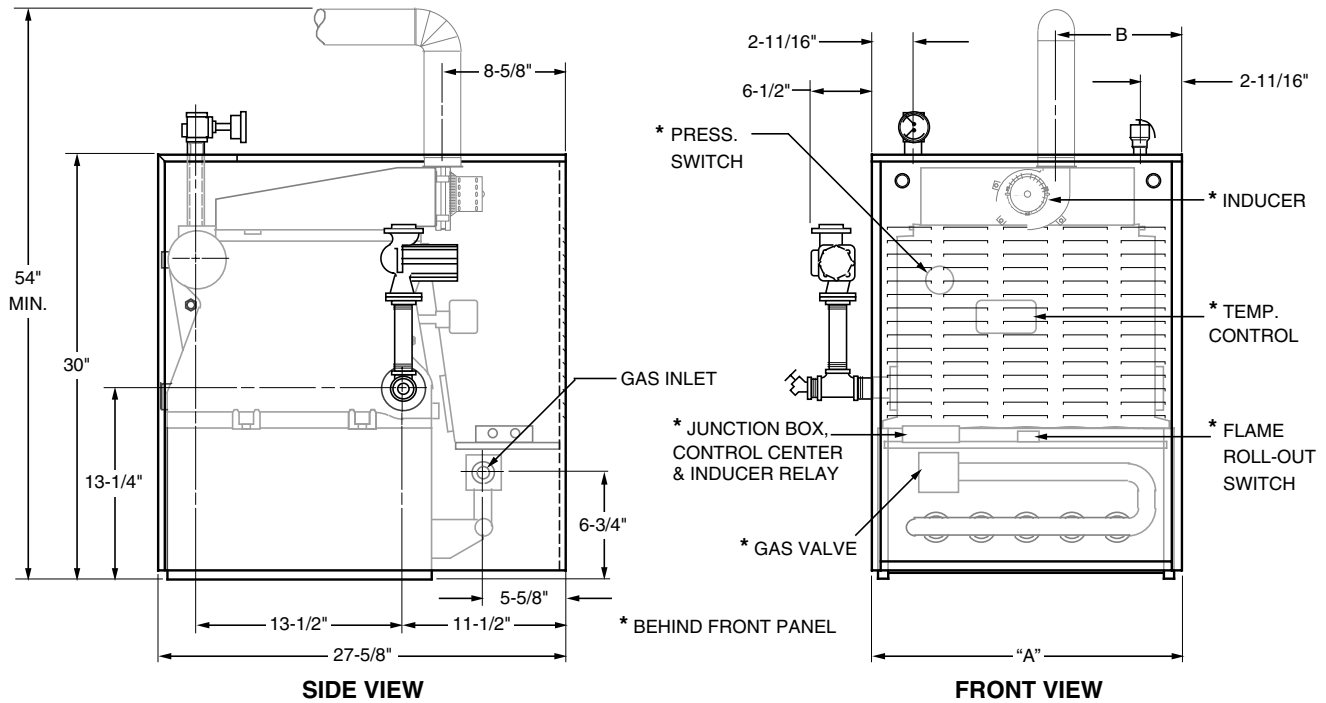
OPTIONAL EQUIPMENT

- Propane gas
- Special base for combustible floors
- Grundfos or B & G circulator

*See warranty statement for complete details.

GV100 series POWER VENT GAS FIRED RESIDENTIAL BOILER

A.G.A. Certified heating capacity ratings from 50,000 – 150,000 BTU/HR



Note: Combustible floor installations, add 3" to the height dimensions.

GV100 Specifications

Boiler Model Number	Natural/L.P.			A.F.U.E.①	Dimensions (Inches)			
	AGA Input MBH	D.O.E. Htg. Cap. MBH	Net I=B=R Ratings MBH	Hot Surface Ignition	A	B	Vent Connector Diameter (Chimney or Vertical B Vent)	Vent Connector (Horizontal or Vertical Single-Wall Sheet Metal)
GV100-3	50.0	42	37	83.8%	10 7/8"	2 1/8"	4"	4"
GV100-4	75.0	63	55	84.3%	13 3/8"	3 1/8"	4"	4"
GV100-5	100.0	84	73	84.1%	16 3/8"	5 1/8"	4"	4"
GV100-6	125.0	104	90	83.4%	19 3/8"	5 1/8"	5"	4"
GV100-7	150.0	125	109	83.5%	21 3/8"	5 1/8"	5"	4"

In the interest of product improvement, we reserve the right to make changes without notice.



Westcast, Inc., 260 North Elm Street, Westfield, MA 01085
(413) 562-9631 • FAX: (413) 562-3799
www.smithboiler.com

