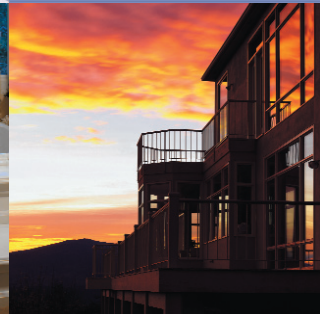


GB100 SERIES

Smith

Smith
CAST IRON BOILERS



GB100 series

GAS FIRED RESIDENTIAL
BOILER





GB100

Designed With You In Mind.

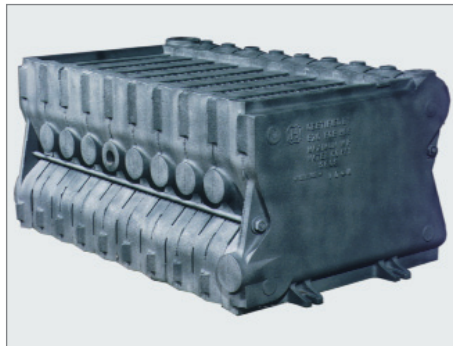
The Smith GB100 gas-fired residential boiler is designed to provide dependable, efficient heat in an easy-to-install, easy-to-service package.

From the jacket to the junction box, the GB100 is a shining example of American quality and engineering excellence.



More Cast Iron Means Better Performance

The Smith GB100 Series boiler has thicker walls and up to 30% more cast iron than competitive boilers. Extra-deep 2 $\frac{3}{4}$ " sections increase the boiler's water content and total water surface. Benefits of these superior design features include better heat transfer and heat retention, and an Annual Fuel Utilization Efficiency exceeding 82%. The deeper section design also helps reduce mineral buildup and corrosion.



Built and Backed for a Lifetime

Without question, cast iron boiler construction delivers superior durability and longer life. Every GB100 cast iron section is pressure tested at 2 $\frac{1}{2}$ times the working pressure, then retested upon assembly at 1 $\frac{1}{2}$ times the working pressure. The finished boiler is also factory test-fired to eliminate the expense and inconvenience of callbacks. We back our commitment to your complete satisfaction with a lifetime warranty.*

Low Silhouette

The GB100 features an internal draft diverter that allows venting directly off the top of the already low silhouette. Simple connection of the flue pipe to the boiler collar completes the GB100's high-efficiency venting system and ensures safe discharge of all products of combustion.

Sized for Efficiency

You'll appreciate the flexibility offered by the GB100 boiler. Ten different sizes and three ignition options make it a cinch to size every system for maximum efficiency. The GB100 is furnished with a standing pilot, or it can be equipped with optional spark or hot surface ignition for even greater efficiency.



*See warranty statement for complete details

The Smith GB100 Series means high efficiency and freedom from costly maintenance in a gas-fired residential boiler. Rugged cast iron construction and easy-to-service features make the GB100 the first choice among heating professionals.

Service Made Simple

When it's time to service the Smith GB100 boiler, nothing could be easier. Simply lift the panel up and off for ready access to all wiring and controls. The layout allows easy visualization and adjustment.



STANDARD EQUIPMENT

Completely packaged and wired gas hot water boiler.

- Cast iron sections
- Deluxe insulated metal jacket with removable front panel
- Burner base with high temperature insulation board and burner tubes
- Integral flue collector and draft diverter
- A.S.M.E. pressure relief valve
- Taco "007" circulator
- Theraltimeter
- Brass hose end drain valve
- Constant pilot ignition system
- Automatic vent damper
- Safety spill switch
- Flame rollout safety switch
- Discrete high limit and control center

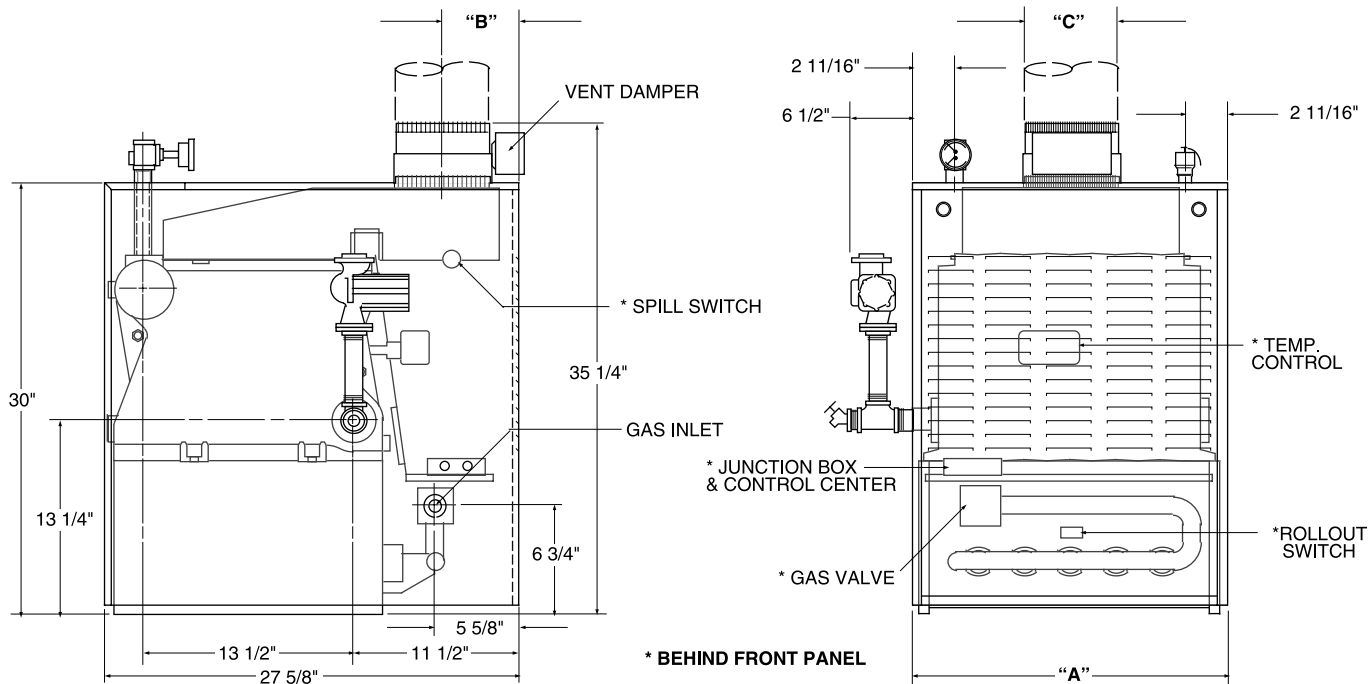
OPTIONAL EQUIPMENT

- Intermittent "spark" ignition system
- Hot surface ignition system
- Propane gas
- Noncombustible floor pan for use on combustible floors
- Grundfos or B & G circulator

GB100 series

GAS FIRED RESIDENTIAL BOILER

A.G.A. Certified heating capacity ratings from 50,000 – 275,000 MBH



Supply and Return pipe size 1 1/4" NPT

Note: For closet, alcove or combustible floor installations, add 3" to the height dimensions.

GB100 Specifications

Boiler Model Number	Natural/L.P.			A.F.U.E. ^①		Dimensions			Gas Connection			
	AGA Input MBH	D.O.E Htg. Cap. MBH	Net I=B=R Ratings MBH	Standing Pilot	Hot Surface Ignition	A	B	C	Natural Gas			L.P. Gas
									Standing Pilot	Spark Pilot	Hot Surface Ignition	
GB100-3	50.0	42	36	81.5%	84.3%	10 7/8"	4 1/2"	5"	1/2"	3/4"	1/2"	3/4"
GB100-4	75.0	63	55	82.0%	84.0%	13 3/8"	4 1/2"	5"	3/4"	3/4"	1/2"	3/4"
GB100-5	100.0	83	72	82.0%	83.5%	16 3/8"	5"	6"	3/4"	3/4"	1/2"	3/4"
GB100-6	125.0	104	90	82.0%	83.2%	19 3/8"	5"	6"	3/4"	3/4"	1/2"	3/4"
GB100-7	150.0	125	109	82.3%	83.3%	21 7/8"	5 1/2"	7"	3/4"	3/4"	1/2"	3/4"
GB100-8	175.0	146	127	82.1%	83.2%	24 3/8"	5 1/2"	7"	3/4"	3/4"	3/4"	3/4"
GB100-9	200.0	167	145	82.1%	83.2%	27 3/8"	6"	8"	3/4"	3/4"	3/4"	3/4"
GB100-10	225.0	187	163	82.1%	83.2%	30 3/8"	6"	8"	3/4"	3/4"	3/4"	3/4"
GB100-11	250.0	208	181	82.1%	83.2%	32 3/8"	6"	9"	3/4"	3/4"	3/4"	3/4"
GB100-12	275.0	229	199	82.1%	83.2%	35 3/8"	6"	9"	3/4"	3/4"	3/4"	3/4"

① With Stack Damper

In the interest of product improvement, we reserve the right to make changes without notice.



Westcast, Inc., 260 North Elm Street, Westfield, MA 01085
 (413) 562-9631 • FAX: (413) 562-3799
 www.smithboiler.com

A MESTEK COMPANY

