

GBX/GVX SERIES

Best

Smith
CAST IRON BOILERS



GBX/GVX series

GAS FIRED RESIDENTIAL BOILER
WITH POWER VENT OPTION

**THE HEATING
Pros**



GBX AND GVX

Designed With You In Mind

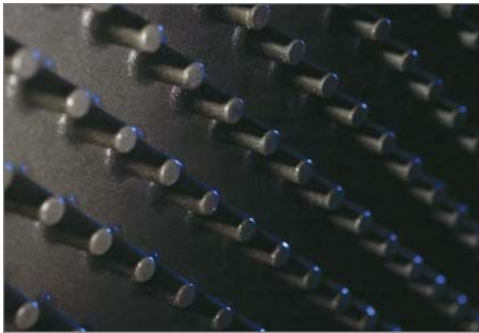
The GBX/GVX gas-fired residential boilers combines application flexibility with high efficiency. Whether vented through a conventional chimney or through the wall, the GBX/GVX offers efficient, dependable service.



made in the USA



Cast Iron Sections Built To Last



The cast iron sections of the Smith GBX/GVX Series boiler have thicker walls with more cast iron than competitive boilers. Extra-deep sections increase the boiler's water content and total water surface. Benefits of these superior design features include better heat transfer and heat retention, and an Annual Fuel Utilization Efficiency exceeding 82%. The deeper section design also helps reduce mineral buildup and corrosion.*

Low Silhouette

The GBX/GVX features an internal draft diverter that allows venting directly off the top of the GBX and off the side of the GVX maintaining the already low silhouette. Simple connection of the flue pipe to the boiler collar completes the GBX/GVX's high-efficiency venting system and ensures safe discharge of all products of combustion.

Built and Backed for a Lifetime

Without question, cast iron boiler construction delivers superior durability and longer life. Every GBX/GVX cast iron section is pressure tested at 2½ times the working pressure, then retested upon assembly at 1½ times the working pressure. The finished boiler is also factory test-fired to eliminate the expense and inconvenience of callbacks. We back our commitment to your complete satisfaction with a lifetime warranty.*

Service Made Simple

All components are completely enclosed within the GBX/GVX cabinet. Yet, when it's time to service the boiler, nothing could be easier. Simply lift the front panel up and off for ready access to all wiring and controls. The layout allows easy visualization and adjustment.

*See warranty statement for complete details

STANDARD EQUIPMENT

Completely packaged and wired gas hot water boiler.

- Cast iron sections, steel push nipples
- Deluxe insulated metal jacket with removable front panel
- Burner base with high temperature insulation board and burner tubes
- Integral flue collector and draft diverter
- A.S.M.E. pressure relief valve
- Taco “007” circulator
- Temperature pressure gauge
- Brass hose end drain valve
- Automatic vent damper (GBX)
- Safety spill switch (GBX)
- Flame rollout safety switch
- High limit and control center
- Pressure Switch (GVX)
- Inducer (GVX)
- Constant Standing Pilot (GBX)
- Honeywell SmartValve® intermittent ignition (GVX)

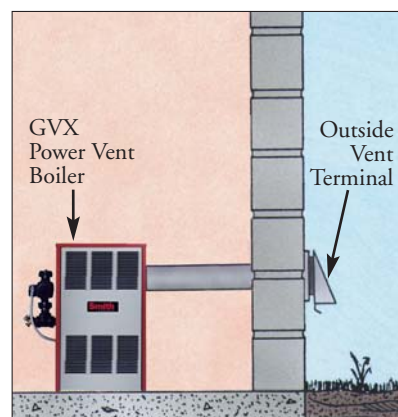
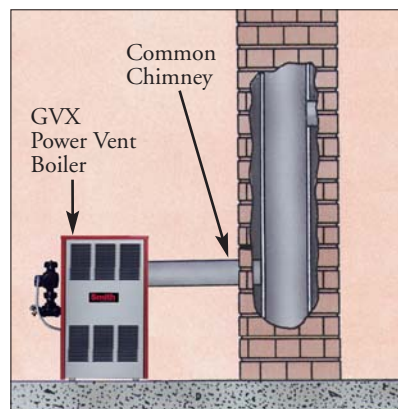
OPTIONAL EQUIPMENT

- Intermittent Honeywell SmartValve® ignition system (GBX)
- Propane gas
- Noncombustible floor pan for use on combustible floors

Power Vent

The GVX gas-fired boiler offers economical operation with a highly efficient power vented draft system. Unlike conventional boilers which must heat up the chimney to create a natural draft, the GVX utilizes an induced draft blower to vent flue gases safely up the chimney. Because of the integral blower design, venting is also permitted directly through an outside wall, making it ideal for installations in which no chimney is available, such as converting electrically heated homes, apartments and condominiums.

The GVX can also be commonly vented with a conventional gas water heater into a traditional masonry or Type B chimney.



In the interest of product improvement, we reserve the right to make changes without notice.

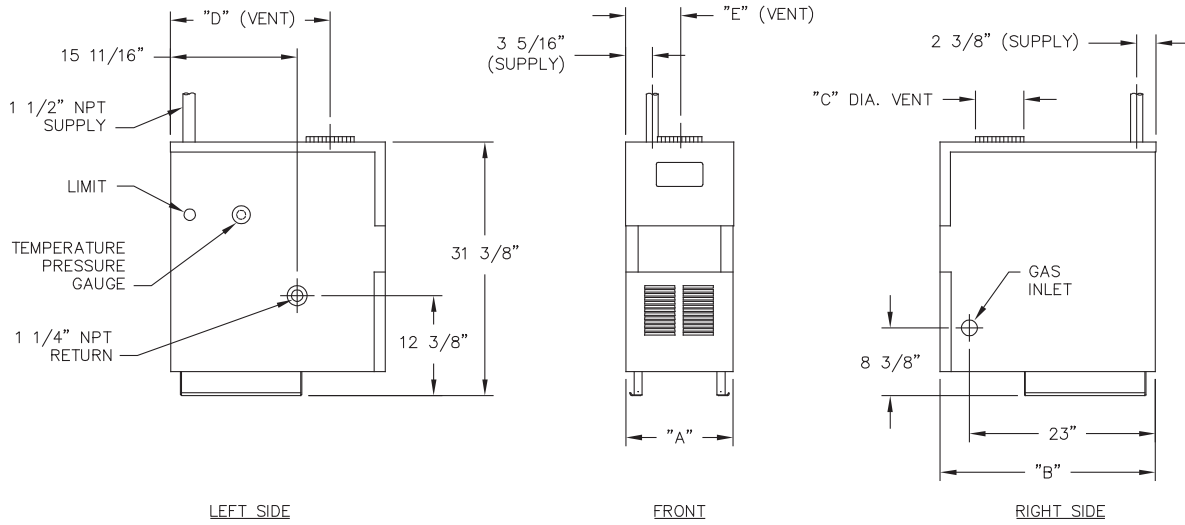


GBX/GVX

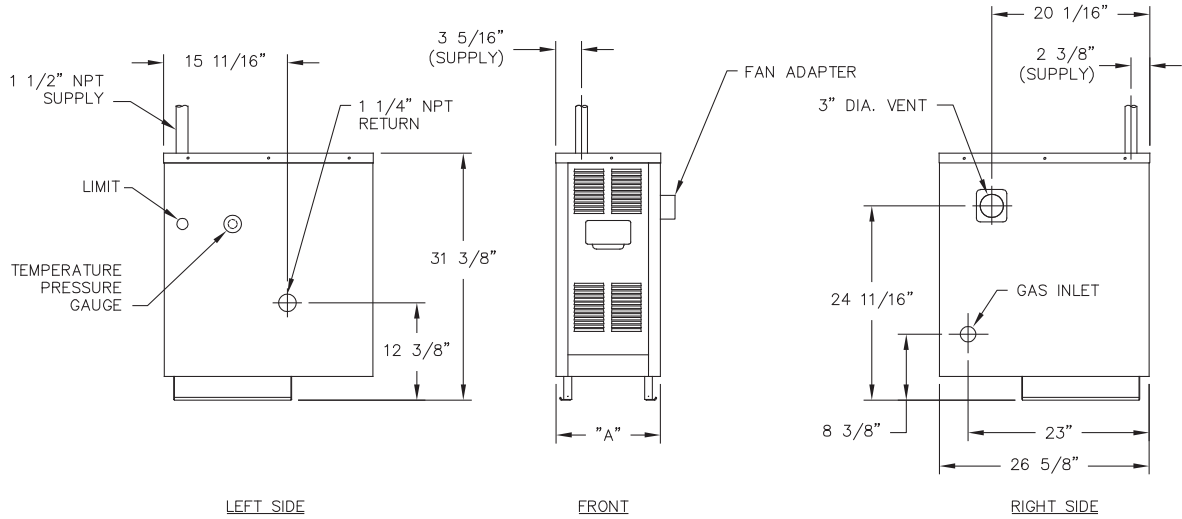
GAS FIRED RESIDENTIAL BOILER

CSA Certified input from 70 – 195 MBH

GBX



GVX



GBX Specifications

Boiler Model Number	Natural/L.P.			A.F.U.E.①	Dimensions		Vent Damper	Rear of Jkt. to C/L of vent	Left of Jkt. to C/L of vent
	AGA Input MBH	D.O.E. Htg. Cap. MBH	Net I=B=R Ratings MBH	Intermittent Spark Ignition	A	B			
							C	D	E
GBX-70	70	58	50	82.2%	12-1/2"	26-5/8"	5"	20-13/16"	6-1/4"
GBX-105	105	86	75	82.1%	15-7/8"	26-5/8"	5"		7-11/16"
GBX-140	140	115	100	82.0%	19-1/4"	26-5/8"	6"	21-13/16"	9-5/8"
GBX-175	175	143	124	82.0%	22-5/8"	26-5/8"	6"		11-5/16"
GBX-195	195	160	139	82.0%	26"	26-5/8"	7"		23"

① With Stack Damper

GVX Specifications

Boiler Model Number	Natural/L.P.			A.F.U.E.	Dimensions (Inches)
	AGA Input MBH	D.O.E. Htg. Cap. MBH	Net I=B=R Ratings MBH	Intermittent Spark Ignition	A
GVX-70	70	58	50	82.1%	12-1/2"
GVX-105	105	87	76	82.0%	15-7/8"
GVX-140	140	116	101	82.0%	19-1/4"
GVX-165	165	136	118	82.0%	22-5/8"



260 North Elm Street, Westfield, MA 01085 | 7555 Tranmere Drive, Mississauga, Ont. L5S 1L4
 (413) 562-9631 • FAX: (413) 562-3799 | (905) 672-2991 • FAX: (905) 672-2883

www.smithboiler.com