

Job Name/Location:

Tag #:

Date:

For:  File  Resubmit

PO No.:

Approval  Other \_\_\_\_\_

Architect:

GC:

Engr:

Mech:

Rep:

(Company)

(Project Manager)

## LA120HYV

Art Cool™ Premier Single Zone Inverter

Outdoor Unit (ODU) - LAU120HYV Indoor Unit (IDU) - LAN120HYV



### Performance:

#### Cooling:

|                  |        |
|------------------|--------|
| Capacity (Btu/h) | 12,000 |
| SEER             | 25.5   |
| EER              | 14.1   |

SEER - Seasonal Energy Efficiency Ratio EER - Energy Efficiency Ratio

#### Heating:

|                  |        |
|------------------|--------|
| Capacity (Btu/h) | 13,600 |
| HSPF             | 11.5   |

HSPF - Heating Seasonal Performance Factor

Cooling Nominal Test Conditions: Heating Nominal Test Conditions:

Indoor: 80°F DB/67°F WB  
Outdoor: 95°F DB/75°F WB

Indoor: 70°F DB/60°F WB  
Outdoor: 47°F DB/43°F WB

### Electrical:

|                                     |              |
|-------------------------------------|--------------|
| Power Supply (V <sup>1</sup> /Hz/Ø) | 208-230/60/1 |
|-------------------------------------|--------------|

#### Outdoor Unit:

|                        |      |
|------------------------|------|
| MOP (A)                | 15   |
| MCA (A)                | 11.2 |
| Cooling Rated Amps (A) | 8.70 |
| Heating Rated Amps (A) | 8.70 |
| Compressor (A)         | 8.3  |
| Fan Motor (A)          | 0.40 |

MOP - Maximum Overcurrent Protection MCA - Minimum Circuit Ampacity

### Total Power Input:

|                          |      |
|--------------------------|------|
| Cooling Power Input (kW) | 0.85 |
| Heating Power Input (kW) | 0.86 |

### Piping:

|  |      |
|--|------|
| Liquid Line (in, OD)                     | 1/4  |
| Vapor Line (in, OD)                      | 3/8  |
| Additional Refrigerant (oz/ft)           | 0.22 |
| Max Pipe Length (ft) <sup>2</sup>        | 65.6 |
| Piping Length (no add'l refrigerant, ft) | 41.0 |
| Max Elevation (ft)                       | 32.8 |

### Controls Features:

- 24-Hour on/off timer
- Condensate sensor connection
- Self diagnosis
- 4-Way auto swing
- Defrost control
- Sleep mode
- Auto changeover
- Dehumidifying mode
- Soft dry operation
- Auto restart
- Hot start
- Ultra quiet operation
- Built-in low ambient operation to 14°F
- Jet cool/Jet heat
- Cooling only switch
- Chaos wind
- Self cleaning indoor coil

### Optional Accessories (sold separately):

- LG Programmable Thermostat - PREMTB10U
- Dry Contact for third party thermostat - PQDSBNGCM1

### Operating Range:

#### Outdoor Unit:

|                 |        |
|-----------------|--------|
| Cooling (°F DB) | 14-118 |
| Heating (°F WB) | -13-75 |

#### Indoor Unit:

|                 |       |
|-----------------|-------|
| Cooling (°F WB) | 64-90 |
| Heating (°F DB) | 60-86 |

### Unit Data:

|  |             |
|--|-------------|
| Refrigerant Type                                       | R410A       |
| Refrigerant Control                                    | EEV         |
| Refrigerant Charge (lbs)                               | 2.54        |
| ODU Sound Pressure (Max) ±3 dB(A) <sup>3</sup>         | 45          |
| IDU Sound Pressure (H/M/L/Sleep) ±3 dB(A) <sup>3</sup> | 42/36/25/17 |
| ODU Net Unit Weight (lbs)                              | 73          |
| ODU Shipping Weight (lbs)                              | 78          |
| IDU Net Unit Weight (lbs)                              | 25          |
| IDU Shipping Weight (lbs)                              | 29          |
| Heat Exchanger Coating                                 | GoldFin™    |

### Fan:

|                                  |                                       |
|----------------------------------|---------------------------------------|
| ODU Type                         | Propeller                             |
| IDU Type                         | Cross Flow                            |
| Fan Speeds (Fan/Cooling/Heating) | 6/6/6                                 |
| Quantity (ODU + IDU)             | 1 + 1                                 |
| Motor/Drive                      | Brushless Digitally Controlled/Direct |
| ODU Max Air Flow Rate (CFM)      | 1,165                                 |
| IDU Air Flow H/M/L (CFM)         | 494/417/283                           |
| Dehumidification (pts/hr)        | 3.7                                   |

### Notes:

1. Acceptable operating voltage: 187V - 253V.
2. Piping lengths are equivalent.
3. Sound Pressure levels are tested in an anechoic chamber under ISO Standard 1996.
4. All power/communication cable to be minimum 18 AWG, 4-conductor, stranded, shielded and must comply with applicable local and national code.
5. See Engineering Manual for sensible and latent capacities.
6. Power wiring cable size must comply with the applicable local and national code.
7. The indoor unit comes with a dry helium charge.
8. This data is rated 0 ft above sea level, with 24.6 ft of refrigerant line and a 0 ft level difference between outdoor and indoor units.
9. Must follow installation instructions in the applicable LG installation manual.



Job Name/Location:

# Outdoor Unit (ODU) - LAU120HYV

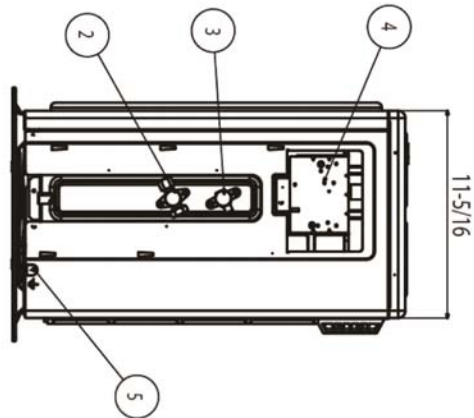
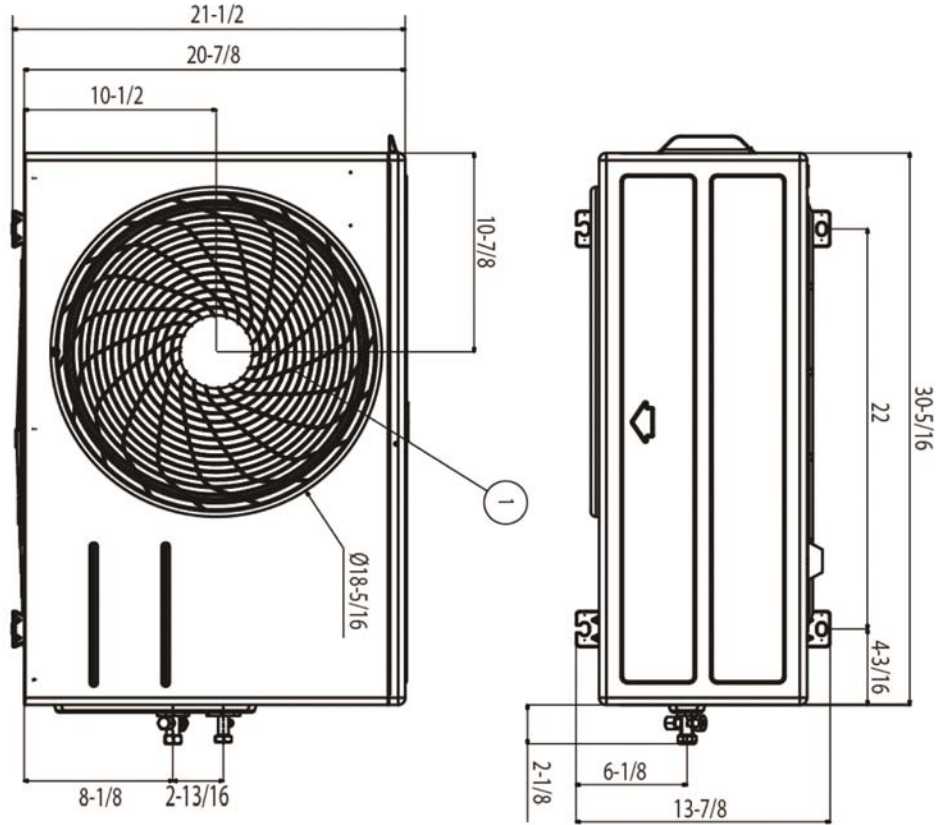
Art Cool™ Premier Single Zone Inverter



Tag #:

Date:

PO No.:



Unit: inch

| Item No. | Part Name                   | Remarks |
|----------|-----------------------------|---------|
| 1        | Return Air Grille           |         |
| 2        | Gas Pipe Connection Port    |         |
| 3        | Liquid Pipe Connection Port |         |
| 4        | Control Box                 |         |
| 5        | Earth Screw                 |         |

# Indoor Unit (IDU) - LAN120HYV

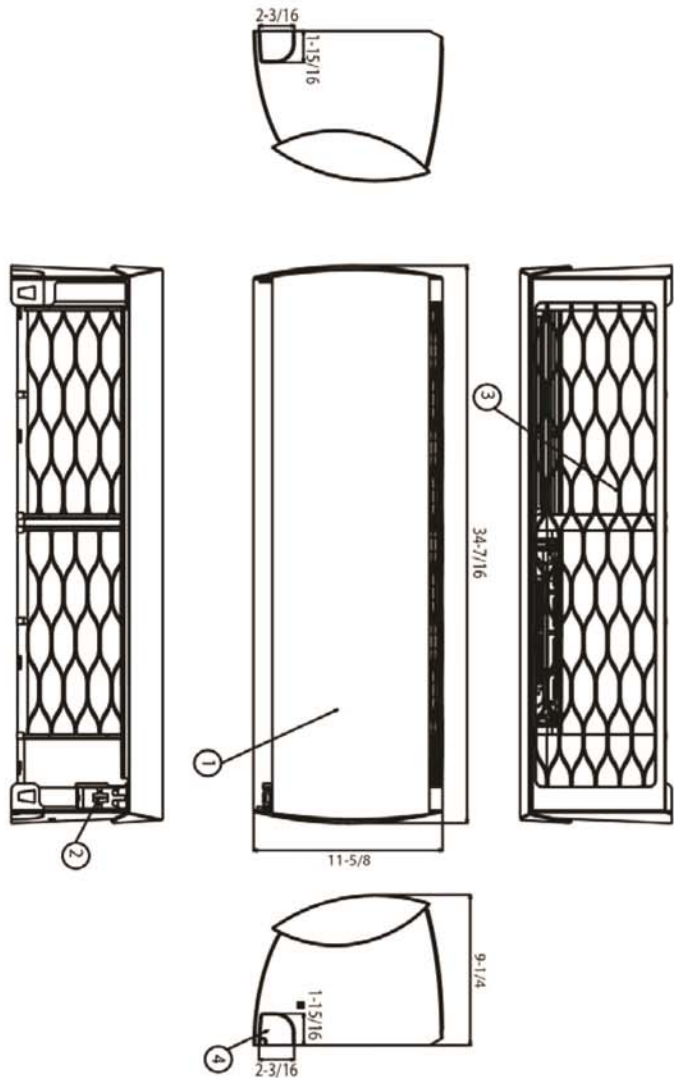
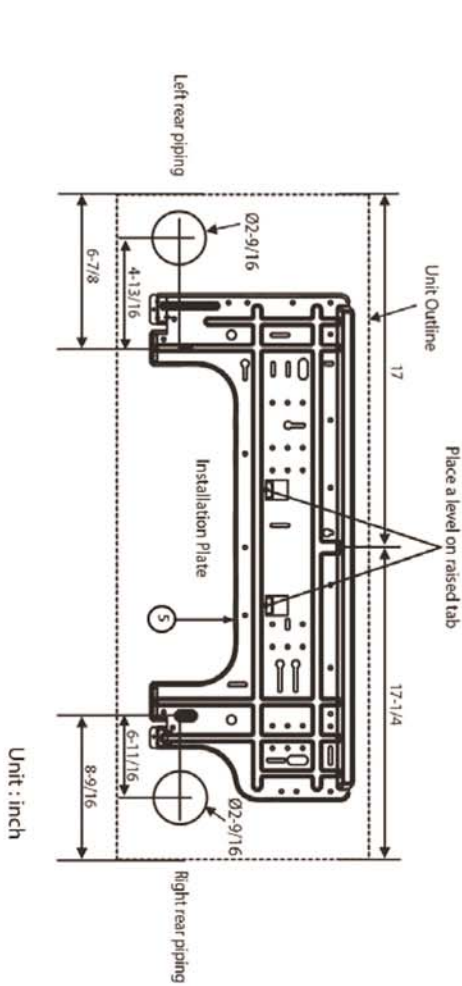
Art Cool™ Premier Single Zone Inverter



Tag #: \_\_\_\_\_

Date: \_\_\_\_\_

PO No.: \_\_\_\_\_



| Item No | Part Name                 | Remarks            |
|---------|---------------------------|--------------------|
| 1       | Front Panel               |                    |
| 2       | Display & Signal Receiver |                    |
| 3       | Return Air Grille         |                    |
| 4       | Knockout hole             | For pipe and cable |
| 5       | Installation Plate        |                    |