

Date: _____

For: File Resubmit

PO No.: _____

Approval Other _____

Architect: _____

GC: _____

Engr: _____

Mech: _____

Rep: _____

(Company)

(Project Manager)

LA120HSV2
Art Cool™ Single Zone Inverter
 Outdoor Unit (ODU)-LAU120HSV2 Indoor Unit (IDU)-LAN120HSV2



Performance:

Cooling:

Capacity (Btu/h)	11,200
SEER	20.0
EER	12.5

SEER - Seasonal Energy Efficiency Ratio EER - Energy Efficiency Ratio

Heating:

Capacity (Btu/h)	13,300
HSPF	11.0

HSPF - Heating Seasonal Performance Factor

Cooling Nominal Test Conditions:

Indoor: 80°F DB/67°F WB
 Outdoor: 95°F DB/75°F WB

Heating Nominal Test Conditions:

Indoor: 70°F DB/60°F WB
 Outdoor: 47°F DB/43°F WB

Electrical:

Outdoor Unit:

Power Supply (V ¹ /Hz/Ø)	208-230/60/1
MOP (A)	15
MCA (A)	10
Cooling Rated Amps (A)	7.5
Heating Rated Amps (A)	8.5
Compressor (A)	7.6
Fan Motor (A)	0.45

MOP - Maximum Overcurrent Protection MCA - Minimum Circuit Ampacity

Indoor Unit:

Power Supply (V ¹ /Hz/Ø)	208-230/60/1
Cooling Power Input (kW)	0.89
Heating Power Input (kW)	1.0

Piping:

Liquid Line (in, OD)	1/4
Vapor Line (in, OD)	3/8
Additional Refrigerant (oz/ft)	0.22
Max Pipe Length (ft) ²	65.6
Piping Length (no add'l refrigerant, ft)	41.0
Max Elevation (ft)	32.8

Features:

- 4-Way auto swing
- 24-Hour on/off timer
- Auto restart
- Auto changeover
- Built-in low ambient standard, down to 14°F (cooling mode)
- Chaos wind
- Condensate Sensor Connection
- Energy saving
- Inverter (variable speed compressor)
- Jet cool/Jet heat
- Plasma air purifying system
- Self-cleaning indoor coil
- Sleep mode
- Ultra quiet operation

Optional Accessories (sold separately):

- LG Programmable Thermostat - PREMTB10U
- Dry Contact for third party thermostat - PQDSBNGCM1
- Dry Contact Unit (1 contact, 24 VAC external power) - PQDSB1

Operating Range:

Outdoor Unit:

Cooling (°F DB)	14-118
Heating (°F DB)	5-75

Indoor Unit:

Cooling (°F DB)	64-90
Heating (°F DB)	61-86

Unit Data:

Refrigerant Type	R410A
Refrigerant Control	EEV
Refrigerant Charge (lbs)	2.21
ODU Sound Pressure Max (±3 dB(A)) ³	45
IDU Sound Pressure (H/M/L) (±3 dB(A)) ³	39/33/24
ODU Net Unit Weight (lbs)	78
ODU Shipping Weight (lbs)	82
IDU Net Unit Weight (lbs)	25
IDU Shipping Weight (lbs)	30
Heat Exchanger Coating	GoldFin™

Fan:

ODU Type	Propeller
IDU Type	Cross Flow
Fan Speeds (Fan/Cooling/Heating)	5/6/5
Quantity (ODU + IDU)	1 + 1
Motor/Drive	Brushless Digitally Controlled/Direct
ODU Max Air Flow Rate (CFM)	1,165
IDU Air Flow H/M/L (CFM)	353/272/212
Dehumidification (pts/hr)	3.0

Notes:

1. Acceptable operating voltage: 187V - 253V.
2. Piping lengths are equivalent.
3. Sound Pressure levels are tested in an anechoic chamber under ISO Standard 1996.
4. All communication/power cable to be minimum 18 AWG, 4-conductor, stranded, shielded and must comply with applicable local and national code.
5. See Engineering Manual for sensible and latent capacities.
6. Power wiring cable size must comply with the applicable local and national code.
7. The indoor unit comes with a dry helium charge.
8. This data is rated 0 ft above sea level, with 24.6 ft of refrigerant line and a 0 ft level difference between outdoor and indoor units.
9. Must follow installation instructions in the applicable LG installation manual.



Outdoor Unit (ODU)-LAU120HSV2

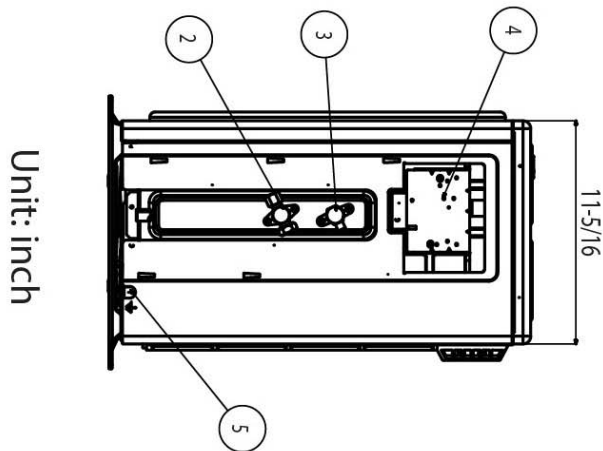
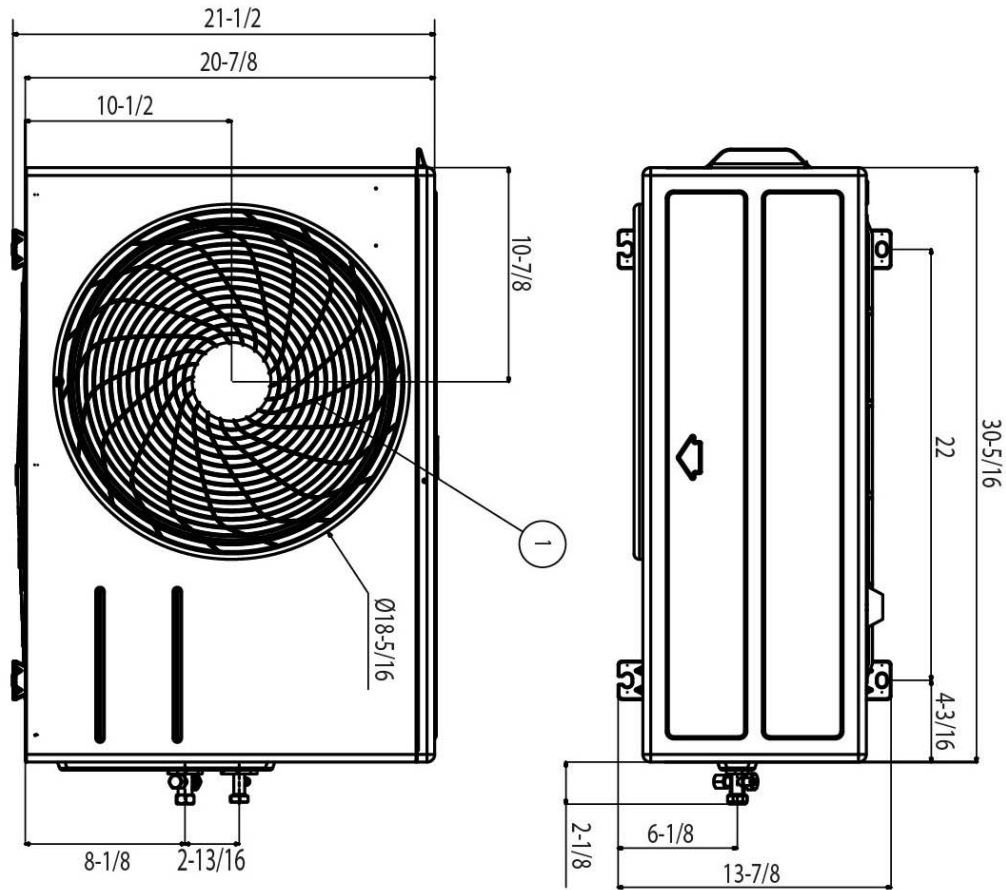
Art Cool™ Single Zone Inverter



Tag #: _____

Date: _____

PO No.: _____



Item No.	Part Name	Remarks
1	Air Discharge Grille	
2	Gas Pipe Connection Port	
3	Liquid Pipe Connection Port	
4	Control Box	
5	Earth Screw	

Indoor Unit (IDU)-LAN120HSV2

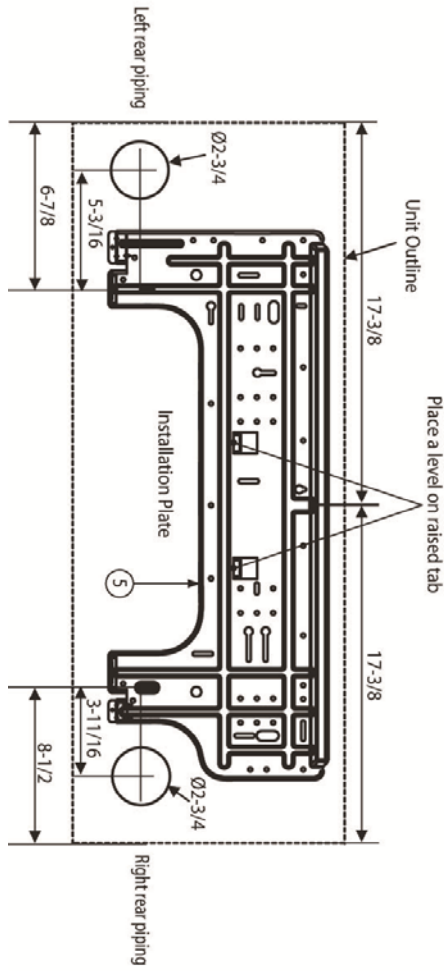
Art Cool™ Single Zone Inverter



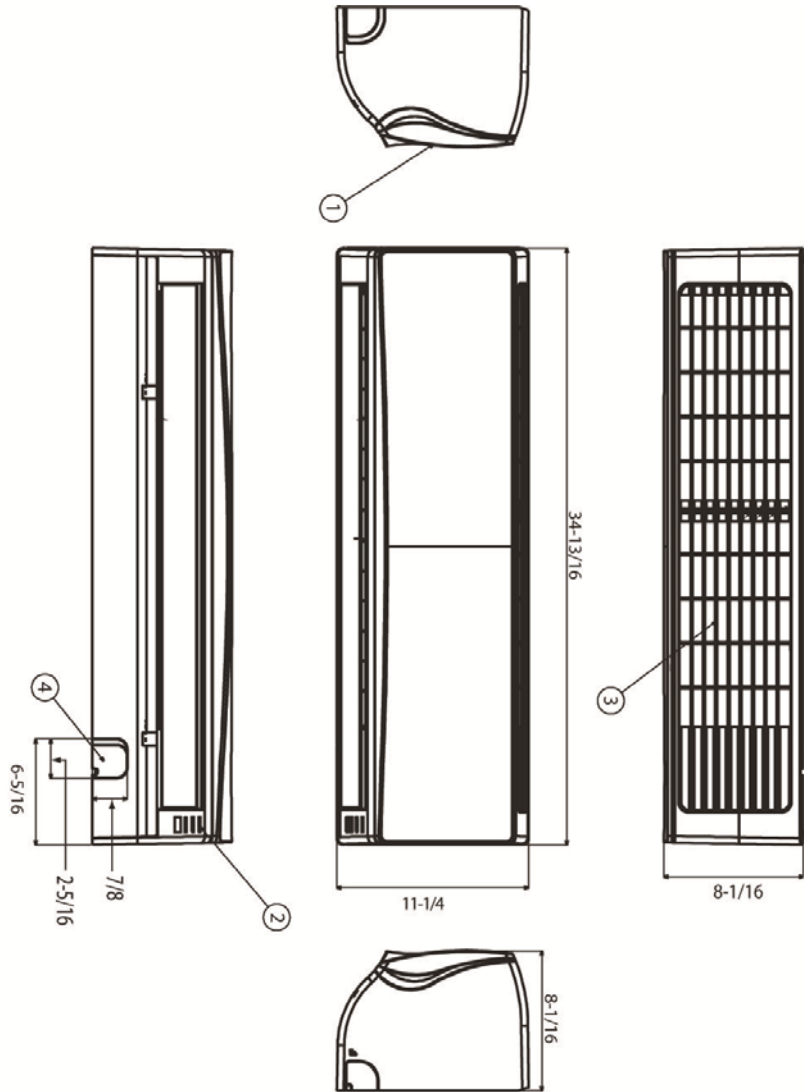
Tag #:

Date:

PO No.:



Unit: inch



Item No.	Part Name	Remarks
1	Front Panel	
2	Display & Signal Receiver	
3	Air Suction Grille	
4	Knockout hole	For pipe and cable
5	Installation Plate	

