



www.Source1Parts.com

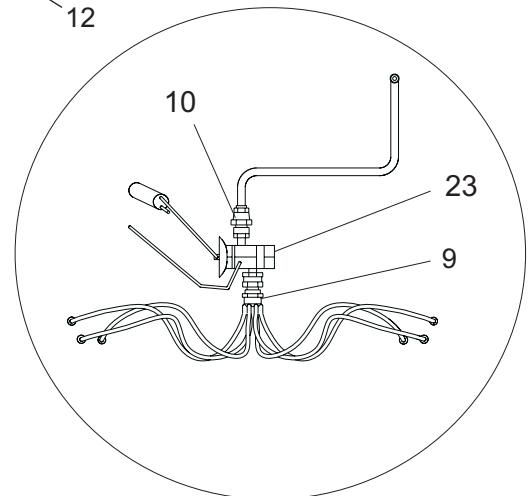
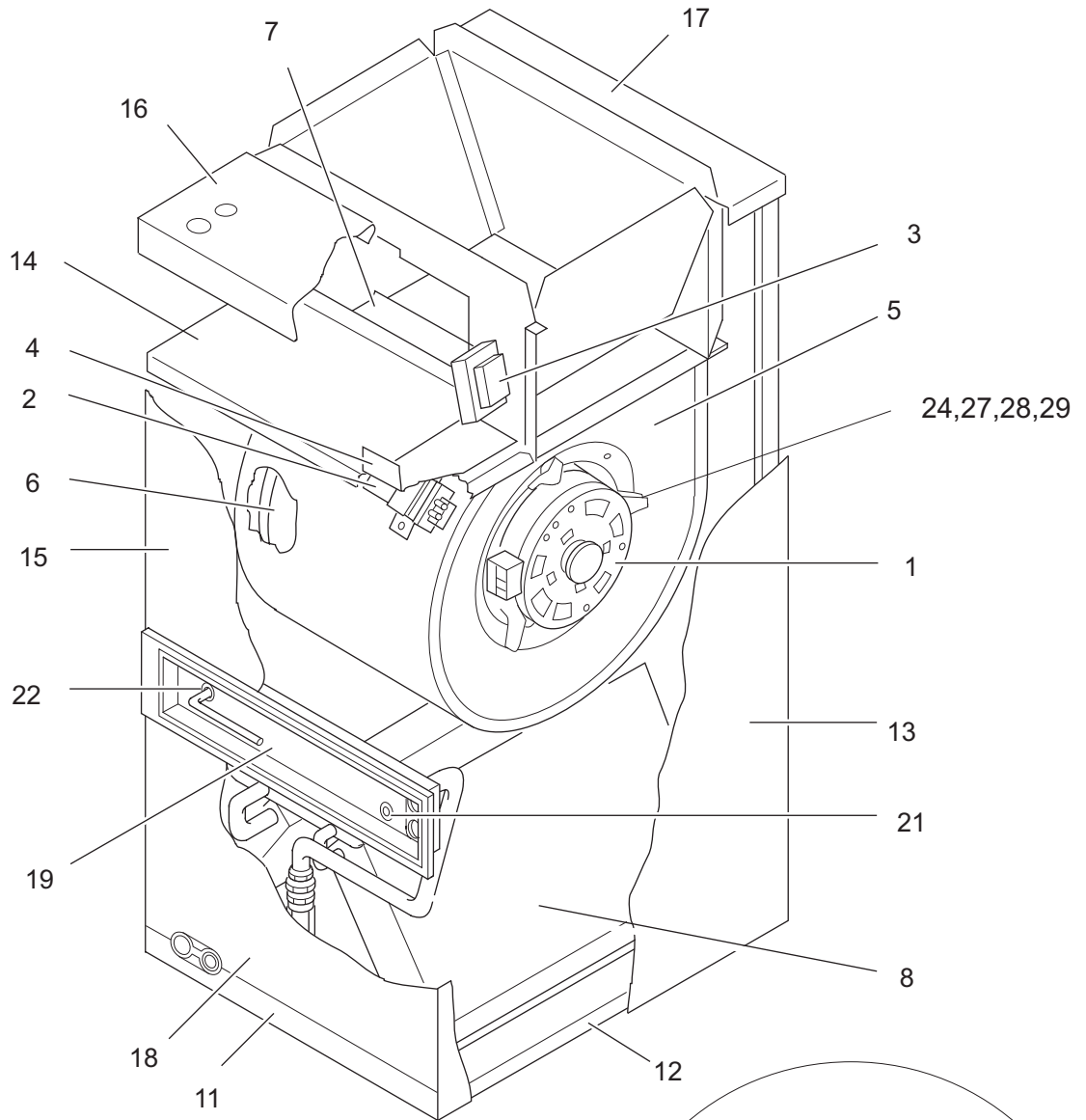
HVAC SERVICE PARTS

F4FP SERIES FAN COIL UNIT W/TXV (STYLE A)

Supersedes:035-21132-001 Rev. B (0806)

035-21132-001 Rev. C (0507)

1 of 4



| ITEM | DESCRIPTION | F4FP024H06T2AA F4FP024H06T2BA | F4FP030H06T2AA | F4FP036H06T2AA | F4FP040H06T2AA F4FP040H06T2CA |
|------|---------------------------------|--|----------------|----------------|--|
| 1 | Motor, Direct Drive Blower | S1-02425982000 | S1-02426086000 | S1-02426087000 | S1-02426086000 |
| 2 | Capacitor (10MFD) | S1-02420046000 | S1-02420046000 | S1-02420046000 | S1-02420046000 |
| 3 | Transformer (40VA) | S1-02518452000 | S1-02518452000 | S1-02518452000 | S1-02518452000 |
| 4 | Module, Control | S1-03101264002 | S1-03101264002 | S1-03101264002 | S1-03101264002 |
| 5 | Housing, Blower | S1-37323861001 | S1-37319707200 | S1-37319707200 | S1-37319707200 |
| 6 | Wheel, Blower | S1-02634004000 | S1-02634005000 | S1-02634005000 | S1-02634005000 |
| 7 | Cutoff, Blower | S1-07314495000 | S1-07314494000 | S1-07314494000 | S1-07314494000 |
| 8 | Complete Coil w/Drain Pan (2A) | S1-37323848001 | S1-37323848003 | S1-37323848004 | S1-37323848005 |
| | Complete Coil w/Drain Pan (2B) | S1-37323848002 | --- | --- | --- |
| | Complete Coil w/Drain Pan (2C) | --- | --- | --- | S1-37323848006 |
| 9 | Distributor | S1-02209087000 | S1-02209083000 | S1-02209083000 | S1-02209083000 |
| 10 | Connector, Field | S1-02531890001 | S1-02531890001 | S1-02531890001 | S1-02531890001 |
| 11 | Door, Filter | S1-07320960000 | S1-07320960000 | S1-07320961000 | S1-07320961000 |
| 12 | Pan, Drain | S1-03200172001 | S1-03200172001 | S1-03200173001 | S1-03200173001 |
| 13 | Wrapper | S1-37320995004 | S1-37320995004 | S1-37320995005 | S1-37320995005 |
| 14 | Panel, Control | S1-07317920000 | S1-07317920000 | S1-07322087000 | S1-07322087000 |
| 15 | Panel, Door (Top) | S1-37315383004 | S1-37315383004 | S1-37315383005 | S1-37315383005 |
| 16 | Panel, Front Top | S1-37315422004 | S1-37315422004 | S1-37315422005 | S1-37315422005 |
| 17 | Panel, Rear Top | S1-37315421004 | S1-37315421004 | S1-37315421005 | S1-37315421005 |
| 18 | Panel, Bottom (Front) | S1-37315384004 | S1-37315384004 | S1-37315384005 | S1-37315384005 |
| 19 | Panel, Recessed | S1-03200148004 | S1-03200148004 | S1-03200148005 | S1-03200148005 |
| 20* | Plate, Circuit Breaker | S1-03200161000 | S1-03200161000 | S1-03200161000 | S1-03200161000 |
| 21 | Grommet, 3/8" | S1-02813202000 | S1-02813202000 | S1-02813202000 | S1-02813202000 |
| 22 | Grommet, 5/8" | S1-02813203000 | --- | --- | --- |
| | Grommet, 3/4" | --- | S1-02813204000 | S1-02813204000 | --- |
| | Grommet, 7/8" | --- | --- | --- | S1-02813205000 |
| 23 | TXV (2A) | S1-1TVM2A1 | S1-1TVM2A1 | S1-1TVM2A1 | S1-1TVM2A1 |
| | TXV (2B) | S1-1TVM2B1 | --- | --- | --- |
| | TXV (2C) | --- | --- | --- | S1-1TVM2C1 |
| 24 | Motor Mount | S1-07319831001 | S1-07319831001 | S1-07319831001 | S1-07319831001 |
| 25* | Diagram, Wiring | 035-14500-000 | 035-14500-000 | 035-14500-000 | 035-14500-000 |
| 26* | Pan, Horizontal Drain | S1-03200175001 | S1-03200175001 | S1-03200175001 | S1-03200175001 |
| 27 | Tube, Isolator (3 Req'd) | --- | --- | --- | --- |
| 28 | Grommet, Motor Mount (3 Req'd) | S1-02814740000 | S1-02814740000 | S1-02814740000 | S1-02814740000 |
| 29 | Ferrule, Motor Mount (3 Req'd) | S1-02320541000 | S1-02320541000 | S1-02320541000 | S1-02320541000 |
| 30* | Stand-off, Plastic | S1-02813201000 | S1-02813201000 | S1-02813201000 | S1-02813201000 |
| 31* | Harness, Power | S1-37315424001 | S1-37315424001 | S1-37315424001 | S1-37315424001 |
| 32* | Harness, Low Volt Plug (Jumper) | S1-37315425001 | S1-37315425001 | S1-37315425001 | S1-37315425001 |

<
<
<

NOTE: *Not Shown
 New replacement parts shown in **bold** face type at the first printing of parts list dated 5/07.
 Major components and suggested stocking items are shown with shaded item number.
 “<” Across from row indicates a change in that row.
 --- Not applicable to specified model.



| ITEM | DESCRIPTION | F4FP042H06T2AA F4FP042H06T2CA | F4FP045H06T2CA | F4FP048H06T2CA | F4FP060H06T2CA |
|------|---------------------------------|----------------------------------|----------------|----------------|----------------|
| 1 | Motor, Direct Drive Blower | S1-02425985000 | S1-02427607000 | S1-02426043000 | S1-02426044000 |
| 2 | Capacitor (10MFD) | --- | S1-02420046000 | --- | --- |
| | Capacitor (12.5MFD) | S1-02425899000 | --- | --- | --- |
| | Capacitor (15MFD) | --- | --- | S1-02425900000 | S1-02425900000 |
| 3 | Transformer | S1-02518452000 | S1-02518452000 | S1-02518452000 | S1-02518452000 |
| 4 | Module, Control | S1-03101264002 | S1-03101264002 | S1-03101264002 | S1-03101264002 |
| 5 | Housing, Blower | S1-37319707200 | S1-37318075014 | S1-37318075003 | S1-37318075003 |
| 6 | Wheel, Blower | S1-02634005000 | S1-02635471000 | S1-02634501000 | S1-02634501000 |
| 7 | Cutoff, Blower | S1-07314494000 | S1-07315745000 | S1-07315745000 | S1-07315745000 |
| 8 | Complete Coil w/Drain Pan (2A) | S1-37323848007 | --- | --- | --- |
| | Complete Coil w/Drain Pan (2C) | S1-37323848008 | S1-37323848009 | S1-37323848010 | S1-37323848009 |
| 9 | Distributor | S1-02209083000 | S1-02540999000 | S1-02209084000 | S1-02540999000 |
| 10 | Connector, Field | S1-02531890001 | S1-02531890001 | S1-02531890001 | S1-02531890001 |
| 11 | Door, Filter | S1-07320961000 | S1-07320962000 | S1-07320962000 | S1-07320962000 |
| 12 | Pan, Drain | S1-03200173001 | S1-03200170001 | S1-03200170001 | S1-03200170001 |
| 13 | Wrapper | S1-37320995005 | S1-37320996016 | S1-37320996016 | S1-37320996016 |
| 14 | Panel, Control | S1-07322087000 | S1-07318369000 | S1-07318369000 | S1-07318369000 |
| 15 | Panel, Door (Top) | S1-37315383005 | S1-37318081001 | S1-37318081001 | S1-37318081001 |
| 16 | Panel, Front Top | S1-37315422005 | S1-37315422016 | S1-37315422016 | S1-37315422016 |
| 17 | Panel, Rear Top | S1-37315421005 | S1-37315421016 | S1-37315421016 | S1-37315421016 |
| 18 | Panel, Bottom (Front) | S1-37315384005 | S1-37316621002 | S1-37316621002 | S1-37316621002 |
| 19 | Panel, Recessed | S1-03200148005 | S1-03200148006 | S1-03200148006 | S1-03200148006 |
| 20* | Plate, Circuit Breaker | S1-03200161000 | S1-03200158000 | S1-03200158000 | S1-03200158000 |
| 21 | Grommet, 3/8" | S1-02813202000 | S1-02813202000 | S1-02813202000 | S1-02813202000 |
| 22 | Grommet, 7/8" | S1-02813205000 | S1-02813205000 | S1-02813205000 | S1-02813205000 |
| 23 | TXV (2A) | S1-1TVM2A1 | --- | --- | --- |
| | TXV (2C) | S1-1TVM2C1 | S1-1TVM2C1 | S1-1TVM2C1 | S1-1TVM2C1 |
| 24 | Mount, Motor | S1-07319831001 | S1-02631480000 | S1-02631459000 | S1-02631459000 |
| 25* | Diagram, Wiring | 035-14500-000 | 035-14500-000 | 035-14500-000 | 035-14500-000 |
| 26* | Pan, Horizontal Drain | S1-03200175001 | S1-03200176001 | S1-03200176001 | S1-03200176001 |
| 27 | Tube, Isolator (3 Req'd) | --- | S1-02809412001 | S1-02809412001 | S1-02809412001 |
| 28 | Washer, Isolator (3 Req'd) | --- | S1-02809412002 | S1-02809412002 | S1-02809412002 |
| | Grommet, Motor Mount(3 Req'd) | S1-02814740000 | --- | --- | --- |
| 29 | Sleeve, Isolator (3 Req'd) | --- | S1-02814782000 | S1-02814782000 | S1-02814782000 |
| | Ferrule, Motor Mount (3 Req'd) | S1-02320541000 | --- | --- | --- |
| 30* | Stand-off, Plastic | S1-02813201000 | S1-02813201000 | S1-02813201000 | S1-02813201000 |
| 31* | Harness, Power | S1-37315424001 | S1-37315424001 | S1-37315424001 | S1-37315424001 |
| 32* | Harness, Low Volt Plug (Jumper) | S1-37315425001 | S1-37315425001 | S1-37315425001 | S1-37315425001 |

<
<**NOTE:** *Not ShownNew replacement parts shown in **bold** face type at the first printing of parts list dated 5/07.

Major components and suggested stocking items are shown with shaded item number.

"←" Across from row indicates a change in that row.

--- Not applicable to specified model.

TO ORDER AUTHORIZED FACTORY REPLACEMENT PARTS - Contact your Source1 HVAC Parts Distributor or visit our website at www.Source1Parts.com for a Distributor and Dealer listing.