

SUBMITTAL DATA SHEET

FULL-CASED MULTI-POSITION ADD-ON COILS FOR USE WITH SPLIT-SYSTEM COOLING & HEAT PUMPS

MODELS: MC

JOB NAME:			LOCATION:	
PURCHASER:			ORDER NO:	
ENGINEER:				
SUBMITTED TO:	FOR:	REF:	APPROVAL:	CONSTRUCTION:
SUBMITTED BY:			DATE:	
UNIT DESIGNATION:			SCHEDULE NO.	MODEL NO.

PRODUCT DATA

Cooling Performance

Total Capacity* _____ MBH

Sensible Capacity* _____ MBH

Temperature of Air Entering

Indoor Coil _____ °F (DB/WB)

Supply Air Blower Performance

Total Supply Air _____ CFM

Total Resistance External To Unit _____ IWG

Blower Speed Tap _____ RPM

Motor Rating _____ HP

Unit Weight

Total Operating Weight _____ LBS

(Including field-installed accessories)

* Shown in Outdoor Unit Technical Guide

CLEARANCES

Front	24"
Rear	0"
Sides	0"

Recommended service clearance.

FEATURES

- Suitable for use with R-410A and R-22 refrigerants
- Rifled copper tubes and aluminum fins
- Sweat connect refrigerant connections
- Rust-proof thermoset composite drain pans
- Standard 3/4" insulation
- Upflow, downflow, and horizontal applications

MATCHED INDOOR UNIT

- Model Number (# _____)
- Submittal Part Number (# _____)

MATCHED OUTDOOR UNIT

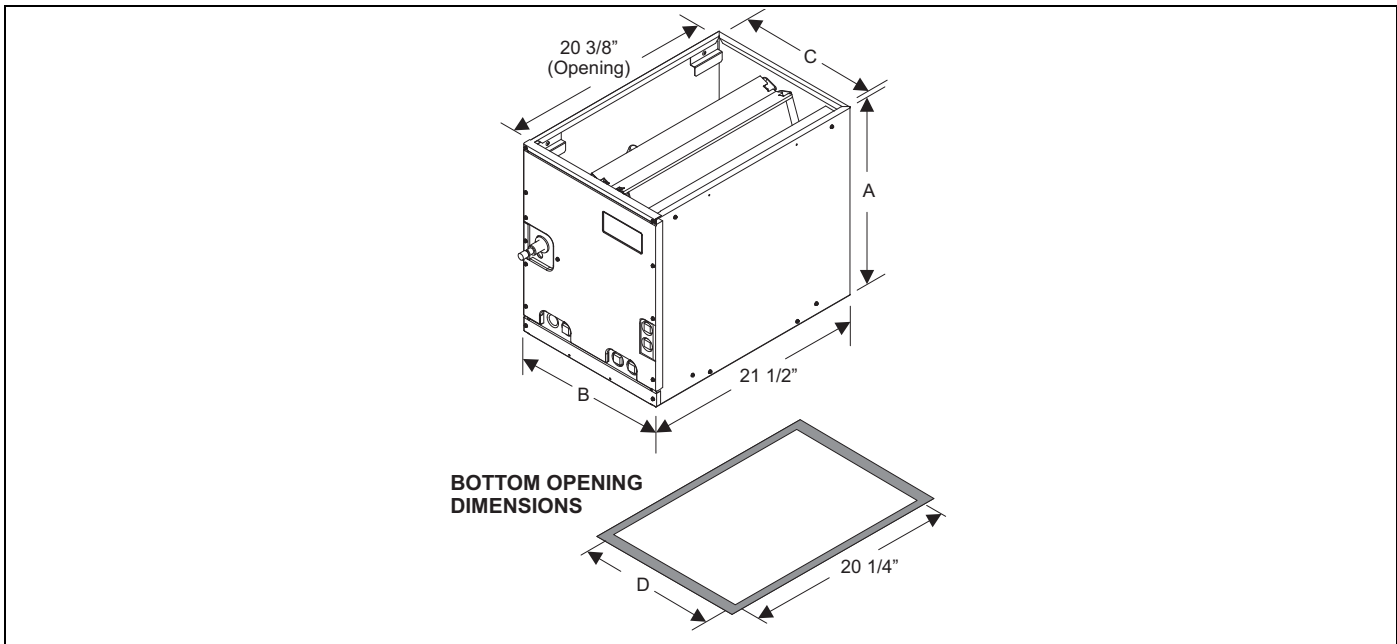
- Model Number (# _____)
- Submittal Part Number (# _____)

FIELD INSTALLED ACCESSORIES

- Capacity (@ _____ Volts) _____ MBH
- Filter Rack (# _____)
- Interconnecting Lines. . . . Length _____ Ft
- Thermal Expansion Valve Kit (# _____)
- UV Light Kit _____



DIMENSIONS - INCHES



Dimensions - MC Multi-Position Full Cased Coils

Models	Dimensions ¹				Refrigerant Connections ²	
	Height	Width	Opening Widths		Line Size	
	A	B	C	D	Liquid	Vapor
MC18A	22	14 1/2	13 3/8	13 1/2	3/8	3/4
MC18B	22	17 1/2	16 3/8	16 1/2		
MC24A	26 1/2	14 1/2	13 3/8	13 1/2		
MC24B	26 1/2	17 1/2	16 3/8	16 1/2		
MC30A	26 1/2	14 1/2	13 3/8	13 1/2		
MC30B	26 1/2	17 1/2	16 3/8	16 1/2		
MC32A	22	14 1/2	13 3/8	13 1/2		7/8
MC35B	22	17 1/2	16 3/8	16 1/2		
MC35C	22	21	19 7/8	20		
MC36A	26 1/2	14 1/2	13 3/8	13 1/2		3/4
MC36B	26 1/2	17 1/2	16 3/8	16 1/2		
MC36C	26 1/2	21	19 7/8	20		
MC37A	26 1/2	14 1/2	13 3/8	13 1/2		7/8
MC42B	32	17 1/2	16 3/8	16 1/2		
MC42C	32	21	19 7/8	20		
MC43B	26 1/2	17 1/2	16 3/8	16 1/2		
MC43C	26 1/2	21	19 7/8	20		
MC48C	32	21	19 7/8	20		
MC48D	32	24 1/2	23 3/8	23 1/2		
MC60D	32	24 1/2	23 3/8	23 1/2		
MC62D	36	24 1/2	23 3/8	23 1/2		

1. All dimensions are in inches.

2. Refrigerant line sizes may require larger lines for extended line lengths. See Application Data part number 247077.