

# Split System Submittal Data



Building Life.

**System: 30KHS72R Indoor/Outdoor: KHS3072R/CH3072R**  
**Wall Mounted Heat Pump**

Job Name: \_\_\_\_\_  
 Location: \_\_\_\_\_  
 Engineer: \_\_\_\_\_  
 Submitted to: \_\_\_\_\_  
 Submitted by: \_\_\_\_\_  
 Reference: \_\_\_\_\_

Approval: \_\_\_\_\_  
 Date: \_\_\_\_\_  
 Construction: \_\_\_\_\_  
 Unit #: \_\_\_\_\_  
 Drawing #: \_\_\_\_\_



### General Data (at 230V)

<b>Power</b>	<b>V/PH/Hz</b>	<b>230/208/1/60</b>
Circuit Ampacity	(A)	15-30 Indoor-Outdoor
Fuse Size, Max.	(A)	15-30 Indoor-Outdoor

<b>Compressor</b>		DC Rotary Inverter
No. used		1
R.L. Amps - L.R.	(A)	15.5-17.5
Crankcase Heater	(W)	-

<b>Outdoor Unit</b>		
Fan type		Propeller
Dia. (in.) - No. Speeds		18-7/64-1
Type Drive - No. Speeds		DC Motor
No. Poles	(RPM)	8 - 830
No. Motors	(W)	1 - 90
CFM	(High)	1942
F.L. Amps	(A)	16.5

Coil Type		Aluminum Fin & Copper Pipe
Fin Type - Pipe Type		Slit Plate - Inner Riffled
Rows - F.P.I.		2-14.1
Face Area	(sq.ft.)	7.26
Tube Size	(in.)	3/8"

<b>Indoor Unit</b>		
Fan type		Cross Flow
Dia. & Length (in.) - No. Speeds		4-13/18, L46 - 1
No. Speeds		3 & Auto
No. Poles	(RPM, High)	4 - 1275
No. Motors	(W)	1 - 50
CFM	(Hi/Med/Lo)	840/740/620
Indoor Sound Rating	(Hi) (dB-A)	46
F.L. Amps	(A)	0.5

Coil Type		Aluminum Plate Fin & Copper Tube
Fin Type - Pipe Type		Slit Plate - Inner Riffled
Rows - F.P.I.		2 - 12.7
Face Area	(sq.ft.)	3.23
Tube Size	(in.)	3/8"
Drain Connection Size	(in.)	1-1/4"

<b>Refrigerant</b>		R410A
Lbs. - R410a (outdoor unit)		5.73
Control		Electric Expansion Valve
Connection		Flare
Line Length, Max (ft.)		165
Lift Difference, Max (ft.)		50 (outdoor lower), 100 (outdoor higher)
Line Size	(in. O.D. Discharge)	3/8"
Line Size	(in. O.D. Suction)	5/8"

<b>Dimensions</b>	(in.)	H x W x D
Indoor Unit	(Uncrated)	14-9/16 x 59-1/16 x 9-7/16
	(Crated)	18-7/16 x 62-29/16 x 12-9/16
Outdoor Unit	(Uncrated)	30-23/32 x 37 x 13-3/8
	(Crated)	34-31/32 x 39-31/32 x 16-3/32

<b>Weight</b>		Indoor	Outdoor
Net	(lbs.)	63.9	143
Shipping	(lbs.)	81.6	161
Shipping Volume	(cu.ft.)	8.4	13.0

### Performance Data @ ARI Standard Conditions (230/208V)

<b>Cooling</b>		
Total Capacity	(BTU/H)	29,800 (9,500-29,800)
Sensible Capacity	(BTU/H)	17,630
Latent Capacity	(BTU/H)	12,170
SEER		15
Dehumidification	(Pints/H)	9.7
Amps	(A)	17.7/19.6
Power Inputs	(W)	3,690/3,690
Outdoor Sound Rating	(dB-A)	52

<b>Heating</b>		
Total Capacity	(BTU/H)	34,800 (8,000-34,800)
HSPF		9

# ➔➔➔ Dimensions

## Heating

Amps	(A)	16.2/17.9
Max. Amps	(A)	16.2/17.9
Power Inputs	(W)	3,390/3,390
Back-up Strip Heater	(KW)	0.00/0.00
Outdoor Sounds Rating	(dB-A)	52

## Features

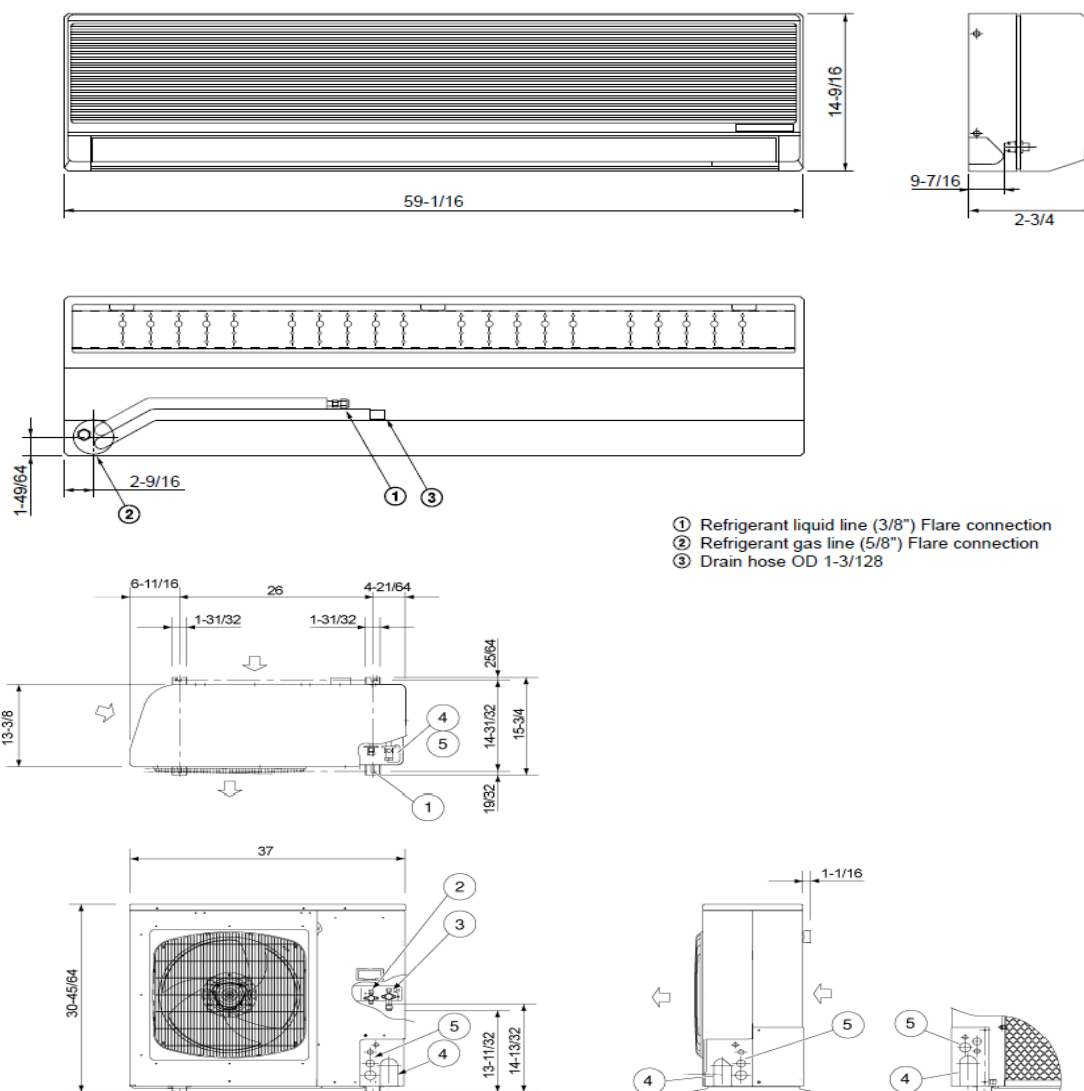
Controls	Microprocessor
Remote Controller	LCD Wireless Type, Temp. Sensor Built In
Temperature Control	IC Thermostat
Timer	24 Hr. Program
Night Setback	Built-In
Air Louver	(Horizontal) Manual
	(Vertical) Automatic
Power Failure Automatic Restart	Built-In
Heating/Cooling Automatic Changeover	Built-In
Self-Diagnosis	Built-In
Air Filter	Washable, Anti-Mold

## Options

Refrigerant Line Set	Available
Fresh Air Intake	N/A
Air duct Extension	N/A
Indoor Frame Extension	N/A
Condensate Drain Pump	Available
Non-Removeable Remo-con Bracket	Available

## Operating Range

	Indoor Air Intake Temp.	Outdoor Air Intake Temp.
Cooling	Maximum	95F DB/71F WB
	Minimum	67F DB/57F WB
Heating	Maximum	80F DB/67F WB
	Minimum	5F DB



- ① Refrigerant liquid line (3/8") Flare connection
- ② Refrigerant gas line (5/8") Flare connection
- ③ Drain hose OD 1-3/128

Dimension: inch

- ① Hole for anchor bolt (4-R6.5) / Anchor bolt: M10
- ② Refrigerant tube joint (liquid line tube) • Flare connection 3/8 in (9.52 mm)
- ③ Refrigerant tube joint (gas line tube) • Flare connection 5/8 in (15.88 mm)
- ④ Refrigerant tubing inlet (knock-out hole)
- ⑤ Power supply inlet (knock-out hole  $\phi 38, \phi 29, \phi 19, \phi 16$  mm)



Sanyo Commercial Solutions  
A Division of SANYO North America  
1300 Michael Drive  
Wood Dale, IL 60191 USA  
www.sanyohvac.com

